



CoolDrive
DISTRIBUTION

Automotive Air Conditioning Catalogue

Including Technical Guide

Over 500 new parts!



2014 edition



automotive air conditioning parts

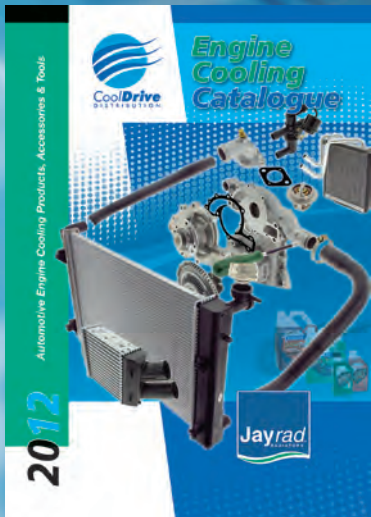


Industry Leading Catalogues










**Over 50,000
Catalogued
Parts**

**Our Award
Winning
Catalogue**



Category	Page
	Blowers 5-12
	Compressor Parts 13-34
	Compressors 35-216
	Condensers 217-342
	Evaporators 343-408
	Fans & Components 409-518
	Fittings 519-580
	Heater Assemblies 581-582
	Heater Cores 583-595
	Heater Taps 596-600
	Hose & Line 601-620
	Idler Pulleys & Brackets 621-630
	Louvres 631-638
	Oils & Chemicals 639-650
	O'rings & Gaskets 651-664
	Pressure Switches 665-684

Category	Page	
<i>Receiver Driers</i>	685-786	
<i>Sundry Parts</i>	787-800	
<i>Thermostats</i>	801-806	
<i>TX Valves</i>	807-848	
<i>Vintage Air</i>	849-860	
<i>Tools</i>	861-894	
<i>Technical Section</i>	895-920	
Fast Find Index	921-956	ABCDE



automotive air conditioning parts

Category	Page
Blowers	
Universal Blower Assemblies	5-12
Compressor Parts	
Clutch Assemblies	13-19
Clutch Bearings	19
Clutch Coils	20-21
Clutch Parts	22-23
Control Valves	24-25
O'rings & Gaskets	26-28
Shaft Seals	28-32
Cylinder Heads	33-34
Compressors	
Application Guide	35-54
Universal Compressors	55-84
Direct Replacement Compressors	85-216
Condensers	
Application Guide	217-232
Condenser Assemblies	233-234
Universal Condensers	235-240
Direct Replacement Condensers	241-342
Evaporators	
Application Guide	343-350
Evaporator Assemblies	351-362
Direct Replacement Coils	363-407
Cabin Filters	408
Fans & Components	
Application Guide	409-428
Universal Fans	429-444
Direct Replacement Fans	445-517
Fan Clutches	517-518
Fittings	
Fittings	519-580
Heater Assemblies	
Heater Assemblies	581-582
Heater Cores	
Application Guide	583-584
Direct Replacement Heater Cores	585-595
Heater Taps	
Application Guide	596
Universal Heater Taps	597-598
Direct Replacement Heater Taps	599-600
Electric Boost Pumps	600

Category	Page
Hose & Line	
Application Guide	601-604
Universal Alloy Line	605
Refrigerant Hose	606-607
Direct Replacement Hose	608-620
Idler Pulleys & Brackets	
Universal Idler Pulleys	621-622
Direct Replacement Idler Pulleys	623-625
Universal Eccentrics	626-627
Direct Replacement Idler Tensioners	628
Universal Engine Brackets	629-630
Louvres	
Universal Louvres	631-635
Duct & Hose Adaptors	636-638
Oils & Chemicals	
Compressor Oil Charge Guide	639-643
Oils	644-647
Dyes	648-649
Dye Injection Tools	649
Flush Equipment	650
Refrigerant	650
O'rings & Gaskets	
Universal O'rings / Sealing Washers	651-653
Direct Replacement O'rings / Sealing Washers	654-657
Universal O'ring Service Kits	657-658
Vehicle Specific O'ring Service Kits	659-661
Sealing Washer Assortment Kit	661
Service Port Cap Kit	662
Valve Core Assortment Kits	662-663
Pressure Switches	
Application Guide	665-668
Universal Pressure Switches	669
Direct Replacement Pressure Switches	670-684
Receiver Driers	
Application Guide	685-696
Universal Receiver Driers	697-701
Direct Replacement Receiver Driers	701-786
Sundry Parts	
Switches	787-791
HVAC Components - Blend Doors etc	787-788
Knobs	790-791
Resistors	791-792

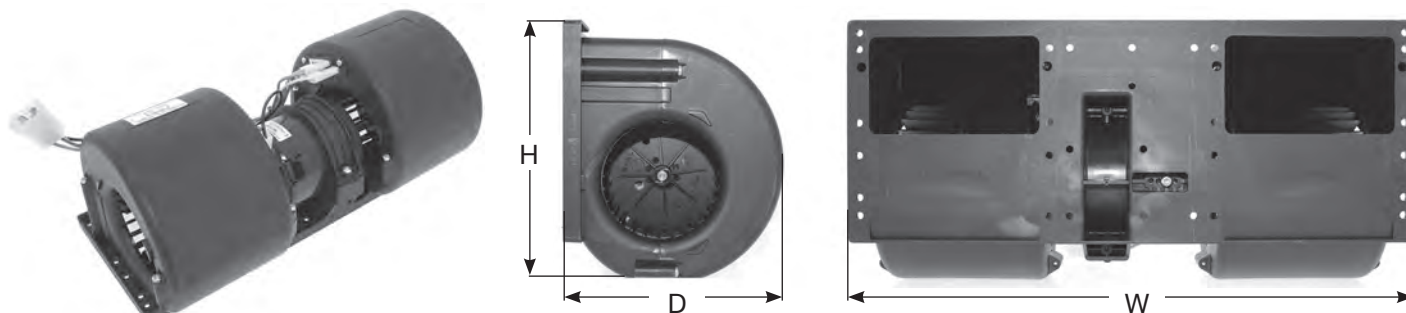
Category	Page
Sundry Parts - cont'd	
Solenoids	792-794
Vacuum Controls	794
Workshop Consumables	794-798
Nuts & Bolts	799
Thermostats	
Universal Thermostats	801-802
Direct Replacement Thermostats	802-805
Direct Replacement Thermistors	802-805
TX Valves	
Application Guide	807-820
Right Angle Valves	821-829
Block Valves	830-845
Orifice Tubes	846-848
Vintage Air	
Vintage Air	849-860
Tools	
Charging Stations	861-864
Recovery Machines	865-867

Category	Page
Vacuum Pumps	868-871
Scales	872
Flush Equipment	873
Gauge Sets / Accessories	874-882
Leak Detection Equipment	883-886
Service Tools	887-889
Crimping Tools	890
Electronic Control Valve Tester	891
Scan Tools	891
Workshop Equipment	892-894
Technical Section	
Principles of Refrigerant	895-896
A/C Component Overview	897-909
Circuit Diagnosis	911
Service Procedures	912-913
Leak Detection	913-914
System Flushing	914-917
Performance Testing	918-919
Temperature - Pressure Chart	920



automotive air conditioning parts

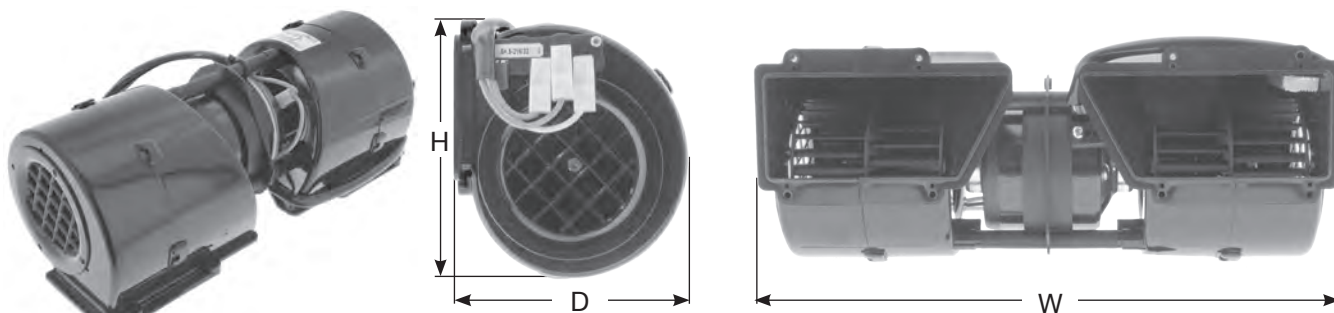
Spal Blower Double - Rectangle Outlet



Part No.	Volts	Speed	H	W	D	m3/h	CFM	Amps	Watts
EM2461	12	3	128	310	113.5	630	370	11	132
EM2460	12	3	167	351	140	1000	587	22.5	270
EM4501	24	1	167	351	140	1130	664	17	408
EM2462	24	3	128	310	113.5	650	382	6	144
EM2469	24	3	167	310	140	850	499	8	192
EM2459	24	3	167	351	140	1000	587	11.5	276
*EM2467	24	3	167	351	140	1050	617	13.5	324
**EM2468	24	3	167	351	140	1050	617	13.5	324
EM2466	24	3	167	351	140	1160	681	17	408

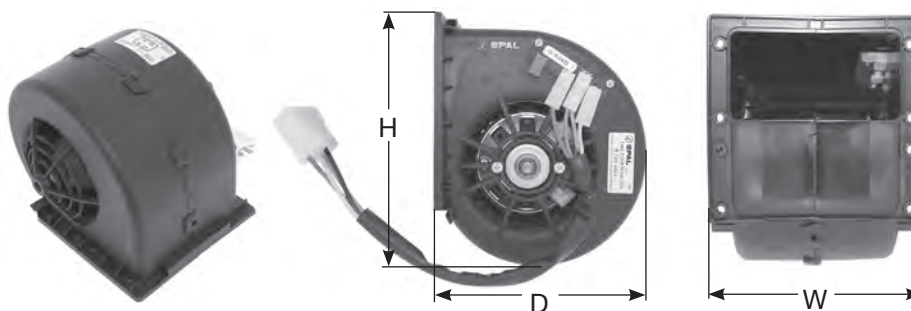
*internal resistor
**external resistor

Spal Blower Double - Angled Outlet



Part No.	Volts	Speed	H	W	D	m3/h	CFM	Amps	Watts
EM2473	12	3	128	317	112	610	360	14	168

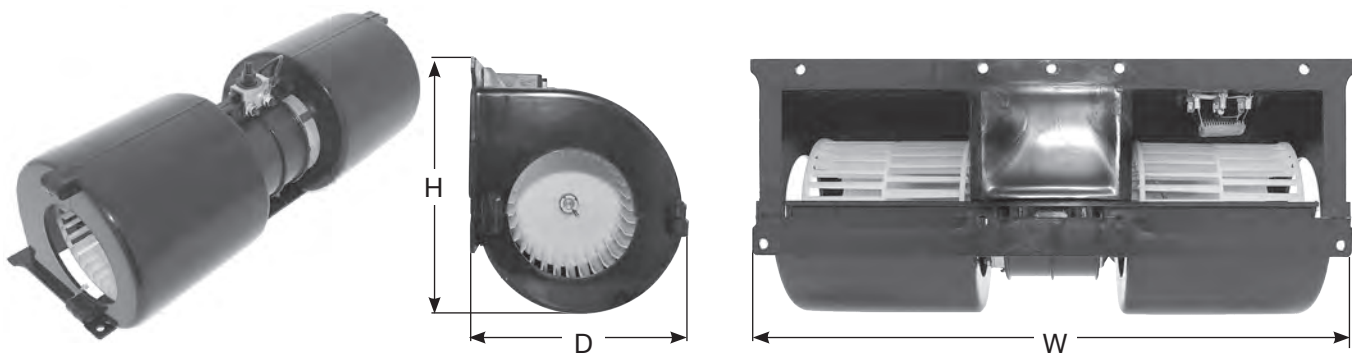
Spal Blower - Single Outlet



Part No.	Volts	Speed	H	W	D	m3/h	CFM	Amps	Watts
EM2450	12	1	167	135	140	510	300	19.9	239
EM2464	12	3	128	119	113	260	153	5.3	64
*EM2452	12	3	167	135	140	510	300	19.9	239
EM2465	12	3	167	135	140	510	300	19.9	239
EM2455	24	1	167	135	140	530	311	11.1	266
EM2463	24	3	128	119	113	260	153	2.3	55
EM2457	24	3	167	135	140	530	313	11.1	266

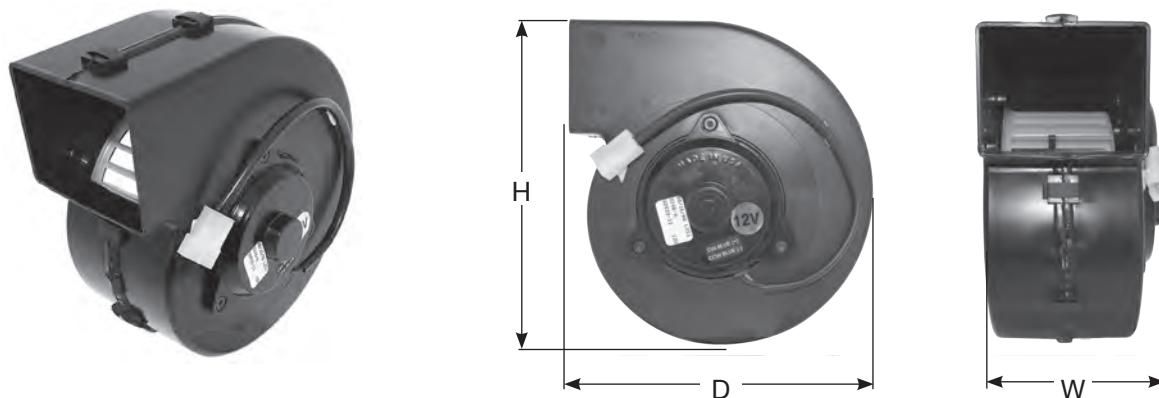
*with finger guard

Universal Blower - Double Outlet



Part No.	Volts	Speed	H	W	D	m3/h	CFM	Amps	Watts
EM2012	12	3	156	356	132	360	211	9.5	114
EM2014	24	3	156	356	132	360	211	5.5	132
EM9004	12	3	127	353	114	630	371	12	144
EM9005	24	3	127	353	114	630	371	6	144

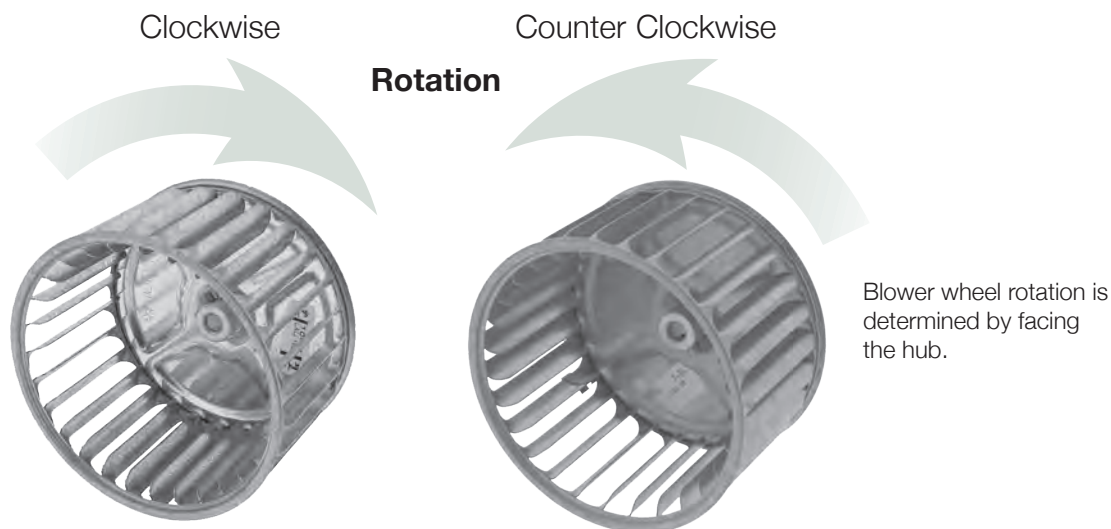
Universal Blower - Single Outlet



Part No.	Volts	Speed	H	W	D	m3/h	CFM	Amps	Watts
EM2246	12	1	249	102	220	489	288	10	120
EF0010	12	3	222	162	220				

Blower Wheels

Rotation Legend



Blower Wheels



Blower Wheel Universal - Double Inlet

Part No.	Diameter (mm)	Width (mm)	Hub (mm)	Rotation	Hub Inset (mm)	Application	Material
BW0250	66	94	7.9	CW	Flat	Cyclone 2000	Plastic
BW3005	86	84	7.9	CW	Flat	Minibus, Excel	Plastic
BW3006	100	100	7.9	CW / CCW	Flat	Formula King	Plastic
BW0197	120	90	7.9	CCW	Flat	Torin	Aluminium
BW0198	120	90	7.9	CW	Flat	Torin	Aluminium
BW0199	120	129	9.5	CW	Flat	Torin	Aluminium
BW2504	120	82	7.9	CW / CCW	Flat	AMC Incabs, Lowline	Plastic



Blower Wheel Kysor - Single Inlet



Part No.	Diameter (mm)	Width (mm)	Hub (mm)	Rotation	Material
BW0030	120	73	7.9	CW	Aluminium
BW0031	120	73	7.9	CCW	Aluminium
BW0816	120	86	7.9	CW	Plastic



Blower Wheel Kysor - Double Inlet

Part No.	Diameter (mm)	Width (mm)	Hub (mm)	Rotation	Application	Material
BW0650	114	84	7.9	CW	KA300	Steel
BW0480	114	82	7.9	CW / CCW	KA300, HD1000	Plastic
BW6020	84	97	7.9	CW / CCW	KA200, KA220	Plastic
BW6032	114	84	7.9	CCW	KA300	Steel



Blower Wheel Red Dot - Single Inlet



Part No.	Diameter (mm)	Width (mm)	Hub (mm)	Rotation	Hub Inset (mm)	Application	Material
BW6101	133	63.5	7.9	CW	22	R8515 / R9727	Steel
BW6300	97	63.5	7.9	CCW	FLAT	R6000	Steel
BW6350	97	63.5	7.9	CW	FLAT	R6000	Steel
BW6051	133	89	7.9	CCW	22		Steel



Blower Wheel Red Dot - Double Inlet

Part No.	Diameter (mm)	Width (mm)	Hub (mm)	Rotation	Hub Inset (mm)	Application	Material
BW7000	81	97	7.9	CW / CCW	28	R2000	Plastic
BW7120	97	105	7.9	CCW	50		Steel



KYSOR & RED DOT BLOWER WHEELS

EM9015

Audi A4, 97-01
With Climate Control

8D2820021



EM1170

Denso Bus & Coach
Rooftop A/C

282500-1170
282500-0670



EM9010

Ford Falcon BA - BF
Territory SX-SY,
10/02>

BG19D583



EM0924

Formula, 12V
Concord Evaporators



EM0928

Formula, 24V
Concord Evaporators



EM0460

Hanyou

282500-1160
282500-0460



EM1170

Hanyou

282500-0740



EM7123

Hino Bus 24V

140200-2861



EM7124

Hino Bus, 24V

292500-0230
292500-0580



EM1370

Hino Ranger, 24V

282500-1370



EM9013

Holden Barina
Combo XC, 2/01-12/05
With A/C

90535115



EM2875

Holden Commodore
VE, 8/06>

92192322



EM9008

Holden Commodore
VY Series II, VZ, 8/03>

92147204



EM9009

Holden Commodore
VT, VX, VY Series I
9/97-8/03

92192456



EM9016

Holden Commodore
VN, VS, 93-8/97

VS18859



EM3082

International Acco
Iveco 12V, CW

73R3082



EM0881

John Deere 5000, 6000
7000 Series Tractors
Forage Harvester
3 & 5 Series

130063805
AL110881



EM5530

John Deere

162500-5530



EM0122

Komatsu 24V

292500-0122



EM0763

Komatsu 24V

263500-0763



DIRECT REPLACEMENT BLOWERS / MOTORS

EM1340
Komatsu 24V

145-Z79-6280
162500-1340



EM2449
Manitou 12V
3 Speed



EM0212
Mitsubishi Canter 24V

282500-0210



EM0250
Mitsubishi Canter 12V

282500-0250



EM0077
Mitsubishi Magna
TE, TF, TH, TJ, TL, TW
4/96-9/05

AW339889



EM0130
Mitsubishi Fuso Fighter

282500-0130



EM6472
Mitsubishi Truck, 24V
FK417, 87-96

162500-6472



EM0030
Mitsubishi Truck
FV Shogun, SV Series

282500-0030



EM3740
Mitsubishi Pajero
NP, 11/02>

MR398381



EM7384
Red Dot R-9757, 24V

RD-3-7383-1



Picture unavailable at time of printing
refer www.cooldrive.com.au

DIRECT REPLACEMENT BLOWERS / MOTORS

EM9014
Suzuki Baleno
1.6Lt, 4/95>

065000-2490



EM7153
Toyota Avalon
MCX10R, 7/00-3/06

194000-7153



EM6330
Toyota Coaster, 24V

162500-6330



EM0112
Toyota Coaster, 24V
93>

88550-36020
282500-0112



EM2470
Toyota Coaster, 24V
83-93

162500-2470



EM0860
Toyota Coaster, 24V

262400-0860



EM0720
Toyota Hiace
Commuter Bus, 1/11>
RHS

272700-0720



EM0730
Toyota Hiace
Commuter Bus, 1/11>
LHS

272700-0730



EM6802
Toyota Hiace
Commuter Bus, 3/05>
Rear Evaporator RHS

062500-6802



EM6812
Toyota Hiace
Commuter Bus, 3/05>
Rear Evaporator LHS

062500-6812



EM1210

Toyota Hiace
3/05>

116360-1210



EM1175

Toyota Hiace
09>

272700-0770
116360-1170
116340-8770



EM5980

Toyota Hiace

162500-5981



Picture unavailable at time of printing
refer www.cooldrive.com.au

EM2130

Toyota Landcruiser
100 Series, 3/98-10/07

06500-2130



EM3080

Toyota Landcruiser
HZJ75, HZJ79, 90-10/07

162500-3080



EM0390

Toyota Landcruiser
80 Series, 5/90-2/98

194000-0390



EM2100

Toyota Landcruiser
FJ Series

162500-2101



EM7252

Toyota Prado
KDJ120R, KZJ120R
GRJ120R, 3/03-10/09

194000-5250



Clutch Assemblies

CL8166
Audi A4, 1.9L Tdi, 10/00-10/04
Suits Denso 7SEU17C

Direct Drive - Metal
Type: 4PV
Diameter: 114mm



CL8168
Audi A6, 8/04>
Suits Denso 6SEU14C

Direct Drive - Plastic
Type: 6PV
Diameter: 105mm



CL8169
Audi A6, 8/04>
Suits Denso 6SEU14C

Direct Drive - Plastic
Type: 6PV
Diameter: 125mm



CL8160
Audi A6, 8/04>
Suits Denso 7SEU17C

Direct Drive - Plastic
Type: 6PV
Diameter: 130mm



CL8163
BMW 5 Series E39, E60, E61, 03>
Suits Denso 7SEU17C

Direct Drive - Plastic
Type: 4PV
Diameter: 100mm



CL8180
BMW 7 Series E65, E66, 01>
Suits Denso 7SEU17C

Direct Drive - Plastic
Type: 4PV
Diameter: 110mm



CL5063
Caterpillar
Suits York / Tecumseh

Voltage: 12V
Type: 6PV
Diameter: 152mm



CL1250
Suits Delco A6

Voltage: 12V
Type: 1A
Diameter: 125mm



CL1431
Ford Falcon BA, BF, FG, 9/02>
Ford Territory SX, SY, 5/04-4/11
Suits Denso 10S17C

Voltage: 12V
Type: 6PV
Diameter: 120mm



DIRECT REPLACEMENT COMPRESSOR PARTS


CL1200
Ford Falcon AU, 6 cyl, 9/98-9/02
Suits Halla FS10

Voltage: 12V
 Type: 6PV
 Diameter: 130mm



CL0682
Freightliner Argosy
Suits York / Tecumseh

Voltage: 12V
 Type: 8PV
 Diameter: 155mm



CL5064
Freightliner
Suits York / Tecumseh

Voltage: 12V
 Type: 8PV
 Diameter: 160mm



CL0930
Hino
Suits Denso 10S13C

Voltage: 24V
 Type: 1A
 Diameter: 133mm



CL7300
Hitachi
Suits Denso 10PA15C

Voltage: 24V
 Type: 1B
 Diameter: 135mm



CL3208
Holden Commodore VT, V6, 9/97-10/00
Suits Delphi V5

Voltage: 12V
 Type: 6PV
 Diameter: 146mm



CL3209
Holden Commodore VT, V8, 9/97-10/00
Suits CM7020 only
Delphi V7

Voltage: 12V
 Type: 6PV
 Diameter: 131mm




CL1434
Honda Accord 2/03>
Suits Denso 10S17C

Voltage: 12V
 Type: 7PV
 Diameter: 135mm



CL7931
International
Suits York / Tecumseh
Heavy Duty

Voltage: 12V
 Type: 1A
 Diameter: 152mm



CL1429
John Deere
Suits Denso 10PA15C

Voltage: 12V
 Type: 8PV
 Diameter: 125mm



CL1421
John Deere
Suits Denso 10PA17C

Voltage: 12V
 Type: 8PV
 Diameter: 145mm



CL7994
Kenworth
Suits York / Tecumseh MA7C
Heavy Duty

Voltage: 12V
 Type: 1C
 Diameter: 178mm
 Gauge Line: 49.78mm



CL7300
Komatsu
Suits Denso 10PA15C

Voltage: 24V
 Type: 1B
 Diameter: 135mm



CL7931
Mack
Suits York / Tecumseh
Heavy Duty

Voltage: 12V
 Type: 1A
 Diameter: 152mm



CL8164
Mercedes
Suits Denso 7SEU17C

Direct Drive - Plastic
 Type: 6PV
 Diameter: 115mm



CL8165
Mercedes E Class W211, 01>
Mercedes S Class, 7/00-9/03
Suits Denso 7SEU17C

Direct Drive - Plastic
 Type: 6PV
 Diameter: 105mm



CL8177
Mercedes ML Class W164, 05>
Suits Denso 7SEU17C

Direct Drive - Plastic
 Type: 8PV
 Diameter: 105mm



CL7979
Suits Sanden SD7H15
Models A901, A906, 8041

Voltage: 12V
 Type: 1B
 Diameter: 146mm



CL6212
Suits Sanden SD7H15
Models A907, A926, A927

Voltage: 24V
 Type: 8PV
 Diameter: 132mm



CL0729
Suits Sanden SD7H13, SD7H15
Models A917, A924, 8035

Voltage: 12V
 Type: 10PV
 Diameter: 125mm



CL0280
Suits Sanden TRS090
Model 3017

Voltage: 12V
Type: 2A
Diameter: 115mm



CL0336
Suits Sanden TRS090
Model 3098

Voltage: 12V
Type: 4PV
Diameter: 95mm



CL0571
Suits Sanden SD7H15
Model 7888

Voltage: 24V
Type: 2A
Diameter: 132mm



CL6210
Suits Sanden SD7H15
Model 8030, 8031

Voltage: 12V
Type: 2A
Diameter: 132mm



CL0796
Suits Sanden SD7H15
Model 8083

Voltage: 12V
Type: 8PV
Diameter: 119mm



CL8162
Seat Ibiza
Seat Cordoba
Suits Denso 6SEU16C

Direct Drive - Metal
Type: 6PV
Diameter: 115mm



CL8173
Toyota Avensis
Suits Denso 5SE12C

Direct Drive - Plastic
Type: 5PV
Diameter: 105mm



CL8172
Toyota Avensis
Suits Denso 5SE12C

Direct Drive - Plastic
Type: 6PV
Diameter: 125mm



CL0610
Toyota Coaster Bus
Suits Denso 10P30C

Voltage: 24V
Type: 2HM
Diameter: 155mm



CL1433
Toyota Corolla ZZE122R, 12/01-4/07
Suits Denso SCSA06C

Voltage: 12V
Type: 6PV
Diameter: 93mm



CL1333
 Toyota Hiace
 Toyota Commuter Bus
 Suits Denso 10PA15, 10PA17

Voltage: 12V
 Type: 4PV
 Diameter: 110mm



CL1466
 Toyota Hilux KUN16R, KUN26R, 3/05>
 Suits Denso 10S11C

Voltage: 12V
 Type: 7PV
 Diameter: 125mm



CL1468
 Toyota Hilux TGN16R, TGN26R, 3/05>
 Suits Denso 10S11C

Voltage: 12V
 Type: 7PV
 Diameter: 125mm



CL1329
 Toyota Hilux
 Toyota Landcruiser
 Toyota Townace
 Suits Denso 10PA15

Voltage: 12V
 Type: 1A
 Diameter: 143mm



CL1335
 Toyota Hilux
 Toyota Landcruiser
 Suits Denso 10PA15C

Voltage: 12V
 Type: 1A
 Diameter: 135mm



CL1352
 Toyota Hilux RZN
 Toyota Prado RZJ95, 7/96-5/02
 Suits Denso 10PA15

Voltage: 12V
 Type: 4PV
 Diameter: 120mm



CL1311
 Toyota Landcruiser
 Suits Denso 10PA15C

Voltage: 12V
 Type: 1A
 Diameter: 137mm



CL1334
 Toyota Landcruiser FZJ75, FZJ78, FZJ80,
 FZJ105
 Suits Denso 10PA17C

Voltage: 12V
 Type: 1A
 Diameter: 133mm



CL1413
 Toyota Landcruiser HDJ, Turbo Dsl
 Suits Denso 10PA17C

Voltage: 12V
 Type: 4PV
 Diameter: 120mm



CL1349
 Toyota Prado VZJ95, 7/96-2/03
 Suits Denso 10PA17C

Voltage: 12V
 Type: 4PV
 Diameter: 135mm



CL8174
 Toyota Yaris
 Suits Denso 5SE09C

Direct Drive - Plastic
 Type: 6PV
 Diameter: 120mm



CL8162
 Volkswagen Golf 02>
 Volkswagen Polo 11/01>
 Suits Denso 6SEU16C

Direct Drive - Metal
 Type: 6PV
 Diameter: 115mm



CL5063
 Western Star
 Suits York / Tecumseh

Voltage: 12V
 Type: 6PV
 Diameter: 152mm



CL5064
 Western Star
 Suits York / Tecumseh

Voltage: 12V
 Type: 8PV
 Diameter: 160mm



CL5055
 Suits York / Tecumseh MA6A

Voltage: 12V
 Type: 2A
 Diameter: 152mm



CL5056
 Suits York / Tecumseh MA6A

Voltage: 24V
 Type: 2A
 Diameter: 152mm



CL5057
 Suits York / Tecumseh MA6B

Voltage: 12V
 Type: 1B
 Diameter: 152mm



CL5058
 Suits York / Tecumseh MA6B

Voltage: 24V
 Type: 1B
 Diameter: 152mm



CL5059
 Suits York / Tecumseh MA7A

Voltage: 12V
 Type: 2A
 Diameter: 178mm
 Gauge Line: 42.16mm




CL5060
 Suits York / Tecumseh MA7A

Voltage: 24V
 Type: 2A
 Diameter: 178mm



CL5061
Suits York / Tecumseh MA7B

Voltage: 12V
Type: 1B
Diameter: 178mm



CL5062
Suits York / Tecumseh MA7B

Voltage: 24V
Type: 1B
Diameter: 178mm



CL7907
Suits York / Tecumseh Heavy Duty

Voltage: 12V
Type: 2A
Diameter: 152mm
Gauge Line: 42.42mm



CL7908
Suits York / Tecumseh Heavy Duty

Voltage: 12V
Type: 2A
Diameter: 178mm
Gauge Line: 42.42mm



Clutch Bearings

Part No	OD	ID	Thickness	Application
CL6171	46	30	12	Denso SCSA06C
CL1000	50	35	20	Sanden SDB7, TRS090, TRF105
CL6172	52	30	20	Denso SCSA06C
CL4139	52	30	22	Denso 10PA, TV12 & TV14
CL6170	52	35	22	Denso 7SB16C
CL4175	54	38	17	Denso 10P08
CL5126	55	30	13	Denso 2M110B (2 Required). Ogura MA (Early)
CL1125	55	30	23	Sanden TR90 (Stepped, 2 slots)
CL6121	55	30	23	Pitts (Early). Ford, CPR100. York, Tecumseh. Ogura MA. Calsonic. Halla FS10, FS15
CL4174	55	32	23	Matsushita and Panasonic NL Series
CL1005	55	35	20	Sanden SD505, SD507, SD5H09, SD5H13, SD5H14, SD7H15, TRF105 & TRS105. Diesel Kiki DKS15BH, DKS16CH
CL4173	57	40	24	Denso 10P13C (Stepped Bearing)
CL5127	62	30	16	Ogura MA7A. Warner 1411 Series
CL6120	62	40	20.6	Delco A6, R4. Delphi V5, Commodore VT V6
CL4176	62	40	20.6 / 24	Denso 10P (Stepped Bearing)
CL1123	62	40	24	Denso 6P, 10P. Sanden SD507, SD508 & SD510. Clarion. Centrota
CL1129	66	40	24	Mitsubishi MSC90, MSC105 & MSC130



Clutch Coils

CC0204
Citroen
Suits Sanden SD6C12, SD7C16C

Voltage: 12V
Outer Diameter: 95.8mm
Inner Diameter: 61mm
Thickness: 27.5mm



CC8945
Suits Denso 10P13C

Voltage: 12V
Outer Diameter: 102mm
Inner Diameter: 70mm
Thickness: 30mm



CC8999
Suits Denso 10PA

Voltage: 12V
Outer Diameter: 96.5mm
Inner Diameter: 61mm
Thickness: 28mm



CC8998
Suits Denso 10PA

Voltage: 24V
Outer Diameter: 96.5mm
Inner Diameter: 61mm
Thickness: 28mm



CC0401
Ford
Suits Halla FS10
HS15, HS18

Voltage: 12V
Outer Diameter: 101mm
Inner Diameter: 66mm
Thickness: 35.5mm



CC8341
Hino
Suits Denso 10P13C

Voltage: 24V
Outer Diameter: 102mm
Inner Diameter: 70mm
Thickness: 30mm



CC0005
Holden Astra AH, 1.9Lt Diesel, 06>
Suits CM5318

Voltage: 12V
Outer Diameter: 92mm
Inner Diameter: 60mm
Thickness: 27mm



CC0005
Holden Astra AH, 1.8Lt Z18XE, 2.0Lt,
04-06
Suits CM5320

Voltage: 12V
Outer Diameter: 92mm
Inner Diameter: 60mm
Thickness: 27mm



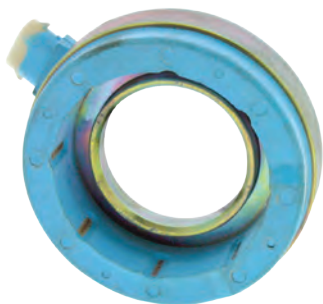
CC0005
Holden Astra TS, Z18XE, 01>
Holden Astra TS, X18XE, 98-02
Holden Barina XC 01>
Suits CM5714, CM5314

Voltage: 12V
Outer Diameter: 92mm
Inner Diameter: 60mm
Thickness: 27mm



CC4414
Holden Commodore VT, V6, 9/97-10/00
Suits Delphi V5

Voltage: 12V
Outer Diameter: 102mm
Inner Diameter: 51.5mm
Thickness: 28mm



CC0401
Hyundai
Suits Halla FS10
HS15 & HS18

Voltage: 12V
Outer Diameter: 101mm
Inner Diameter: 66mm
Thickness: 35.5mm



CC0202
Opel
Suits Sanden PXV16

Voltage: 12V
Outer Diameter: 95.8mm
Inner Diameter: 61mm
Thickness: 27.5mm



CC0204
Peugeot
Suits Sanden SD6C12
SD7C16C

Voltage: 12V
Outer Diameter: 95.8mm
Inner Diameter: 61mm
Thickness: 27.5mm



CC0202
Saab
Suits Sanden PXV16

Voltage: 12V
Outer Diameter: 95.8mm
Inner Diameter: 61mm
Thickness: 27.5mm



CC0704
Suits Sanden SD7H13, SD7H15

C' Type

Voltage: 12V
Outer Diameter: 96mm
Inner Diameter: 64mm
Thickness: 33mm



CC7863
Suits Sanden SD7H13, SD7H15

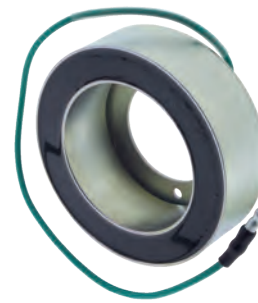
B' Type

Voltage: 12V
Outer Diameter: 96mm
Inner Diameter: 64mm
Thickness: 33mm



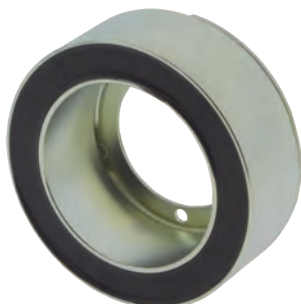
CC7888
Suits Sanden SD7H13, SD7H15

Voltage: 24V
Outer Diameter: 96mm
Inner Diameter: 64mm
Thickness: 33mm



CL6040
Suits Sanden TRS090

Voltage: 12V
Outer Diameter: 86mm
Inner Diameter: 59mm
Thickness: 33mm



CC1310
Toyota Hilux KUN16R, KUN26R, 3/05>
Suits Denso 10S11C

Voltage: 12V
Outer Diameter: 87mm
Inner Diameter: 59mm
Thickness: 25mm



Clutch Parts

CL8241
Clutch Hub
Suits Delco A6

Short 32mm



CL8999
Clutch Armature
Suits Denso 10PA



CK1103
Clutch Installation Kit
Suits Denso 10PA



CK1105
Clutch Installation Kit
Suits Denso 10S15, 10S17, 10S20



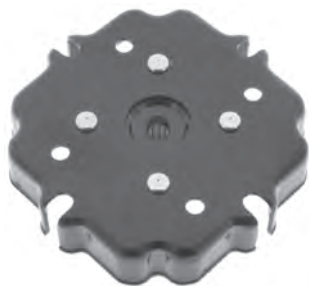
CL0114
Direct Drive Clutch Hub
Suits Denso 6SEU12C

Suits CL8162
Metal
Low Profile



CL0113
Direct Drive Clutch Hub
Suits Denso 7SEU16C, 7SEU17C

Suits CL8166, CL8179
Metal
High Profile



CL0115
Direct Drive Clutch Limiter
Suits Denso 6SEU14C, 7SEU17C

Suits Plastic Pulleys



CL1080
Direct Drive Clutch Rubber Bumpers
Suits Denso 5SE09C

Suits CL8174




CL1082
Direct Drive Clutch Rubber Bumpers
Suits Denso 5SE12C, 6SEU14C, 7SEU17C

Suits Plastic Pulleys




CL1083
Direct Drive Clutch Rubber Boot
Suits Denso 6SEU12C

Low profile: 14.5mm



CL1081
Direct Drive Clutch Rubber Boot
Suits Denso 6SEU12C
7SEU16C

High Profile: 18mm



CL7271
Bearing Dust Cover
Suits Sanden SD7H



CL6030
Clutch Armature
Suits Sanden SD7H15

Steel



CL7863
Clutch Armature
Suits Sanden SD7H15



CP6030
Clutch Armature
Suits Sanden SD7H13, SD7H15

Keyed shaft



CL6033
Clutch Armature
Suits Sanden TRS090

Steel




CL6022
Clutch Rotor
Suits Sanden SD7H15

Type: 8PV
Diameter: 119mm
Stamp Code: RVY



CL6023
Clutch Rotor
Suits Sanden SD7H15

Type: 8PV
Diameter: 132mm
Stamp Code: RWF



CL9900
Dust Cover
Suits Sanden SD7H15



Compressor Control Valves

DIRECT REPLACEMENT COMPRESSOR PARTS

CP2479
Control Valve
Suits Delphi V5

Yellow
40 psig



CP2480
Control Valve
Suits Delphi V5

Purple
41 psig



CP2481
Control Valve
Suits Delphi V5

Blue
42 psig



CP2482
Control Valve
Suits Delphi V5

Brown
43 psig



CP2483
Control Valve
Suits Delphi V5

Red
44 psig



CP2484
Control Valve
Suits Delphi V5

Black
45 psig



CP2486
Control Valve
Suits Delphi V5

Orange



CP2485
Control Valve Screen
Suits Delphi V5



CP2476
Control Valve - Mechanical
Suits Denso 5SA, 5SL, 7SBU



CP2490
Control Valve
Suits Denso 5SE09C, 5SE12C



CP2491
Control Valve
Suits Denso 6SEU12C, 6SEU16C
7SEU16C, 7SEU17C



CP2492
Control Valve
Suits Denso 7SB16C, 6CA17C



CP2493
Control Valve
Suits Denso 7SB16C, 7SBU16C



CP1139
Control Valve
Suits Sanden SD7V16



CP2495
Control Valve
Suits Sanden PXE13, PXE16



CP2497
Control Valve
Suits Sanden PXE13, PXE16



CP2498
Control Valve
Suits Sanden PXE13, PXE16



CP2499
Control Valve
Suits Zexel DCS17E



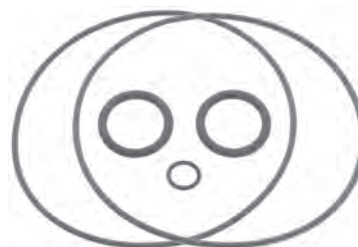
CP2477
Control Valve - Mechanical
Suits Zexel DCW17



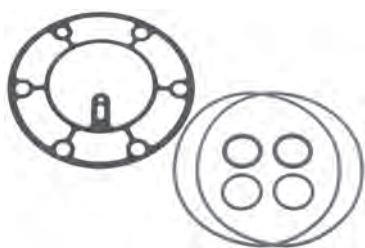
Compressor O'rings & Gaskets

DIRECT REPLACEMENT COMPRESSOR PARTS

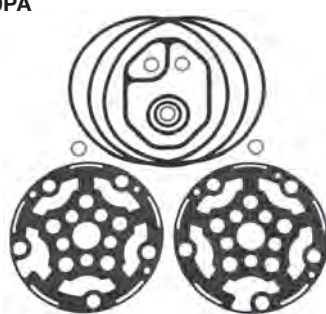
CP7151
O'ring Kit
Suits Delco A6



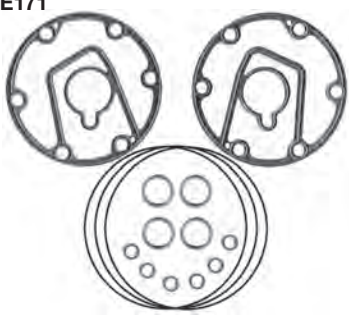
CP8817
Gasket & O'ring Kit
Suits Delphi V5



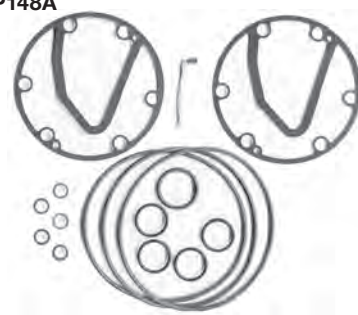
CP4140
Gasket & O'ring Kit
Suits Denso 10PA



CP5001
Gasket & O'ring Kit
Suits Denso 6E171



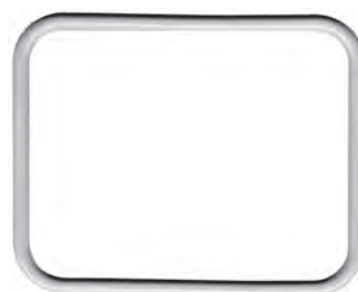
CP4123
Gasket & O'ring Kit
Suits Denso 6P148A



CP5027
Gasket & O'ring Kit
Suits Denso TV12C, TV14C



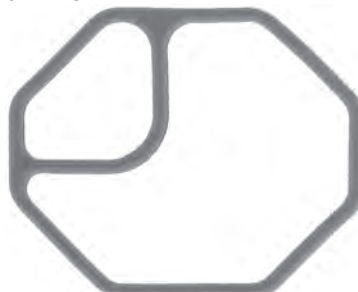
CP3107
Manifold O'ring
Suits Denso 10P



CP5056
Manifold O'ring
Suits Denso 10PA



CP0295
Manifold O'ring - BMW
Suits Denso 10PA17C



CP0194
 Manifold O'ring - Mercedes
 Suits Denso 10PA15C

see also CP0195 (pkt 5)

CP5005
 O'ring Kit
 Suits Denso 10P13, 10P15

CP5006
 O'ring Kit
 Suits Denso 10PA17

CP5026
 O'ring Kit
 Suits Denso 10PA20

CP8819
 Gasket & O'ring Kit
 Suits Diesel Kiki DKS15CH

CP5089
 Front Case O'ring
 Suits Sanden TRF105, TRS105

CP7200
 Gasket Kit
 Suits Sanden SD7

R12 All Models

CP1040
 Gasket Kit
 Suits Sanden SD505
 SD507, SD509

SD509
 Gold Label

CP7704
 Gasket Kit
 Suits Sanden SD7H13, SD7H15

Type 'B' only

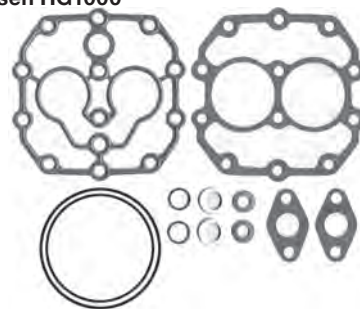
CP7707
 Gasket Kit
 Suits Sanden SD7H13, SD7H15

Type 'C' only

CP9052
O'ring Kit
Suits Sieko Sieki SS170PSS



CP7132
Gasket Kit
Suits Tecumseh HG1000



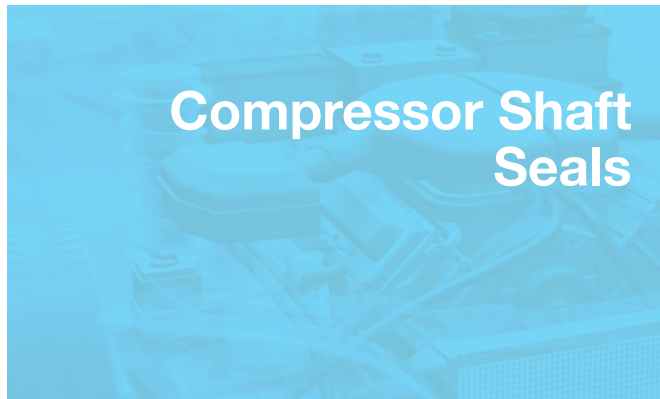
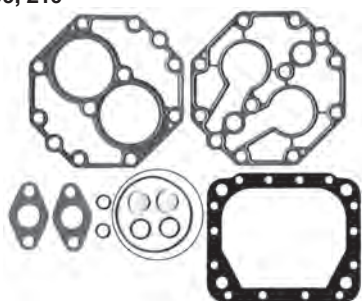
CP5059
Gasket Kit
Suits Visteon FX15 (late)



CP7121
Base Gasket
Suits York 209, 210



CP7120
Gasket Kit
Suits York 209, 210



CP7254
Shaft Seal Kit (Mechanical Type)
Suits Delso A6, R4

with Ceramic Seat



CP9474
Shaft Seal Kit (Single Lip Type)
Suits Delco R4

Large Nose Cone
O.D. 31.7mm



CP9470
Shaft Seal Kit (Double Lip Type)
Suits Delco R4

Large Nose Cone
O.D. 31.7mm



CP9474
Shaft Seal Kit (Single Lip Type)
Suits Delphi V5

Large Nose Cone
O.D. 31.7mm



CP9470
 Shaft Seal Kit (Double Lip Type)
 Suits Delphi V5

Large Nose Cone
 O.D. 31.7mm

CP5179
 Shaft Seal Kit (Double Lip Type)
 Suits Delphi V7
 Holden Commodore VT V8

Small Nose Cone
 O.D. 26.2mm

CP5028
 Shaft Seal Kit (Lip Type)
 Suits Denso 10P08E
 10P13 (late), 10P15

CP4110
 Shaft Seal (Lip Type)
 Suits Denso 10PA

CP5007
 Shaft Seal Kit (Lip Type)
 Suits Denso 10PA (late)

CP9471
 Shaft Seal Kit (Mechanical Type)
 Suits Denso 10P13, 10P15
 10P17

with Ceramic Seat

CP9472
 Shaft Seal (Mechanical Type)
 Suits Denso 6E171
 6P127, 6P148

CP9473
 Shaft Seal Kit
 Suits Denso 6E171, 6P127
 6P148, 10P13, 10P15

CP9475
 Shaft Seal (Mechanical Type)
 Suits Denso 6E171, 6P127
 6P148, 10P13, 10P15

CP9484
 Shaft Seal (Mechanical Type)
 Suits Denso TV12C, TV14C

CP4101
 Shaft Seal (Mechanical Type)
 Suits Denso TV12C, TV14C

CP9478
 Seal (Lip Type)
 Suits Denso TV12C

CP7257
 Shaft Seal
 Suits Diesel Kiki DKV14B

CP7259
 Shaft Seal
 Suits Diesel Kiki DKS15BH
 DKV14C

CP7703
 Shaft Seal
 Suits Diesel Kiki DKS15CH

CP7703S
 Shaft Seal (Lip Type)
 Suits Diesel Kiki DKS15CH

CP5009
 Shaft Seal Seat
 Suits Matsushita

CP5023
 Shaft Seal O'ring
 Suits Matsushita

NL1300AE4

CP5021
 Shaft Seal
 Suits Matsushita

NL1300AE4

CP1025
 Shaft Seal
 Suits Sanden SD505, SD507

Serial numbers starting with 91

CP7265
 Shaft Seal (Mechanical Type)
 Suits Sanden SD507, SD508
 SD510 (early)

CP7703
 Shaft Seal
 Suits Sanden SD5H14
 SD7H13, SD7H15

CP7703S
 Shaft Seal (Lip Type)
 Suits Sanden SD5H14
 SD7H13, SD7H15

CP8900
 Shaft Seal (Lip Type)
 Suits Sanden SD7H13, PXE, PXV type

CP2200
 Shaft Seal
 Suits Sanden TRF90, TRF105

Early style front housing
 suits model 2200

CP2300
 Shaft Seal
 Suits Sanden TRF90, TRF105

Late style front housing

CP7706
 Shaft Seal & Bearing
 Suits Sanden TRS90, TRS105
 TRV105

CP9036
 Shaft Seal (Lip Type)
 Suits Seiko Seiki SS10
 SS96, SS121

CP9038
 Shaft Seal (Lip Type)
 Suits Seiko Seiki SS10
 SS121 (late), SS170, SS811

From serial # 9002241001

CP9039
 Shaft Seal (Mechanical Type)
 Suits Seiko Seiki SS10
 SS148, SS170, SS811

Up to serial # 9002241001

CP7027
 Shaft Seal (Lip Type)
 Suits Tama TM13A, TM14A



CP3005
 Shaft Seal
 Suits Tecumseh HG1000



CP7232
 Shaft Seal Kit
 Suits Tecumseh HG1000
 Femsa



CP5084
 Shaft Seal (Lip Type)
 Suits Visteon FS10, FX15
 Ford Falcon AU



CP7221
 Shaft Seal Kit
 Suits York 209, 210

6 Bolt Flange
 9/32" hole diameter



CP7243
 Shaft Seal Kit
 Suits York 209, 210

6 Bolt Flange
 7/32" hole diameter



Compressor Parts

CP1000
 Compressor Manifold - John Deere
 Suits Denso 6E171

Suction



CP1001
 Compressor Manifold - John Deere
 Suits Denso 6E171

Discharge



CP5314
 High Pressure Relief Valve - John Deere
 Suits Denso 6E171



PV0040
High Pressure Relief Valve
Suits Denso 10P, 10PA, 10S, SV



CP8105
Nose Cone
Suits Denso 10PA15C, 10PA17C



CP9023
Cylinder Head
Suits Sanden SD508
SD510, SD5H14

Vertical O'ring
Stamp Code: FG



CP9288
Cylinder Head
Suits Sanden SD508
SD510, SD5H14

Horizontal O'ring
Stamp Code: KB



CP6621
Cylinder Head
Suits Sanden SD5H09, SD5H14

Vertical O'ring
Stamp Code: FL



CP0450
Cylinder Head
Suits Sanden SD7H13, SD7H15

Vertical O'ring
Stamp Code: US



CP7400
Cylinder Head
Suits Sanden SD7H13, SD7H15

Horizontal GM Pad
Stamp Code: QC



CP7401
Cylinder Head
Suits Sanden SD7H13, SD7H15

Vertical Tube O'ring
Stamp Code: CB



CP7402
Cylinder Head
Suits Sanden SD7H13, SD7H15

Horizontal Tube O'ring
Stamp Code: MD




CP7808
Cylinder Head
Suits Sanden SD7H13, SD7H15

Vertical O'ring
Stamp Code: FZ



CP7862
Cylinder Head
 Suits Sanden SD7H13, SD7H15

Horizontal O'ring
 Stamp Code: KG



CP8128
Cylinder Head
 Suits Sanden SD7H13, SD7H15

Horizontal GM Pad
 Stamp Code: GV




CP9630
Cylinder Head
 Suits Sanden SD7H13, SD7H15

Vertical O'ring
 Stamp Code: JE



CP0016
Oil Return Port
 Unicla

Oil line connection:
 Male Flare 7/16" x 20UNF



CM0021
Oil Separator
 Unicla


For use with compressors
 up to and including 200cc
 capacity



CM0030
Oil Separator
 Unicla

For use with compressors
 over 300cc capacity

Picture unavailable at time of printing
 refer www.cooldrive.com.au



Make & Model	Year	Part No.	Page No.	Make & Model	Year	Part No.	Page No.
Agco				A4, 2.4, 3.0Lt	10/00>	CM5687	87
Agco		CM8643	85	A4, 2.4, 3.0Lt	10/00-12/05	CM5795	88
Tractor		CM8147	85	A4, 2.5Lt TDi	8/97-12/05	CM5572	88
Alfa Romeo				A4, 4 cyl	95-01	CM5508	88
145, 1.6Lt	1/00>	CM5628	85	A4, Cabrio, 2.4, 3.0Lt	4/02>	CM5687	87
145, 146, 1.4, 1.9Lt JTD	12/96>	CM5628	85	A4, V6	99>	CM5501	88
147, 1.9Lt	6/01>	CM5760	85	A4, V6, V8	99>	CM5500	88
156, 1.9Lt JTD	5/01>	CM5760	85	A4, V6	95-97	CM5512	88
156, 166, V6	99-02	CM1120	85	A4 Quattro, 3.2Lt V6	6/07>	CM5652	88
156, 2.0Lt	97-01	CM1157	85	A4 Quattro, 1.8Lt	10/00-12/05	CM5578	87
159	9/05>	CM5790	85	A4 Quattro, 3.0Lt	10/00-12/05	CM5573	87
Brera	1/06>	CM5790	85	A4 Quattro	8/97-12/05	CM5572	88
GTV, Spider	98>	CM1157	85	A4 Quattro, 1.8, 1.9Lt TDi, 2.0Lt, 3.0Lt TDi	4/01>	CM5588	87
Spider	9/06>	CM5790	85	A5, 1.8Lt	11/07-11/08	CM5658	88
Spider, GTV, 3.0Lt 24 valve	98>	CM1120	85	A5 Quattro, 3.2Lt V6	6/07>	CM5652	88
Aston Martin				A6 Quattro, 4.2Lt FSi	6/06>	CM5654	88
Cosworth V8		CM8109	86	A6, 3.0, 3.2Lt V6	10/04>	CM5629	89
DB7, V8	3/96>	CM7954	86	A6 Allroad Quattro, 2.7, 3.0Lt TDi	8/04>	CM5657	89
DB9, 5.9Lt	12/03>	CM5648	86	A6 Quattro, 2.4, 2.8, 3.2Lt	8/04>	CM5673	89
Volante, 4.0Lt	1/93>	CM7954	86	A6, 2.0Lt TDi, 2.0Lt TFSi	8/04>	CM5665	89
Audi				A6, 2.0Lt TDi, TFSi	8/04>	CM5654	89
80 Avant Estate, 2.3Lt 5 cyl	91>	CM5502	86	A6, 2.4, 2.8, 3.2Lt	8/04>	CM5673	89
80, 2.0Lt 4 cyl	88-90	CM5502	86	A6 Quattro, 3.0Lt TDi	8/04>	CM5657	89
80, 2.6Lt V6	92-96	CM5505	86	A6 Quattro, 4.2Lt	04>	CM5642	89
80, 5 cyl	92-96	CM5506	86	A6 Quattro, 3.0Lt	6/01-7/04	CM5796	89
90, 2.3Lt	88-91	CM5503	86	A6, 2.0Lt	6/01-7/04	CM5796	89
100, V6	93-94	CM5505	86	A6, V6	99>	CM5501	89
200, 2.2Lt 5 cyl Turbo	89-90	CM5503	86	A6, V6, V8	99>	CM5500	89
A3 Cabrio, 1.8, 2.0Lt	4/08>	CM5670	86	A6, 2.5Lt TDi	7/97-7/04	CM5572	89
A3, 1.4, 1.6, 2.0Lt	6/03>	CM5587	86	A6 Quattro, 2.5Lt TDi	7/97-7/04	CM5572	89
A3, 1.8, 2.0Lt	04>	CM7159	86	A6, 4 cyl	96>	CM5329	89
A3, 1.8Lt	02>	CM1233	87	A6, 1.8Lt	94-97	CM8321	90
A3, 2.0Lt Petrol		CM8681	87	A8 Quattro, 4.2Lt TDi	7/05>	CM5639	90
A3	97-00	CM1221	87	A8 Quattro, 2.5Lt TDi	6/97-10/02	CM5572	90
A4, 1.8, 2.0Lt TDi	11/07>	CM5658	87	A8, 2.5Lt TDi	6/97-10/02	CM5572	90
A4, 1.6, 1.8, 1.9Lt TDi	10/00-10/04	CM5699	87	A8, V6, V8	99>	CM5500	90
A4, 1.6, 1.8, 1.9Lt TDi, 2.0, 2.7Lt TDi	10/00>	CM5588	87	A8 Quattro, 1.8Lt	94-97	CM8321	90
A4, 1.6, 1.8, 2.0, 2.4, 3.0Lt	10/00-12/05	CM5578	87	Allroad Quattro, 3.2Lt	4/06>	CM5673	90
A4, 1.6, 1.8, 2.0, 3.0Lt	10/00-12/05	CM5573	87	Q7, 4.2Lt	3/07-6/09	CM5639	90
A4, 1.6, 1.8, 2.0Lt	10/00>	CM5768	88	Q7, 3.0Lt Turbo Diesel	3/06>	CM5696	90
A4, 2.0Lt FSi	7/02-10/04	CM5699	87	Q7, Quattro, 4.2Lt	3/06>	CM5659	90

Make & Model	Year	Part No.	Page No.	Make & Model	Year	Part No.	Page No.
R8 Quattro, 4.2Lt	3/06>	CM5659	90	3 Series, E36, 318i, 325i	6/91-11/99	CM1799	93
RS4, RS6, S6, Allroad	8/99>	CM5642	91	3 Series, E36, 318i, 325i	6/91-11/99	CM5669	94
RS6, Quattro, 4.2, 5.0Lt	6/06>	CM5654	91	3 Series, E36, 316i, 318i, 320i, 323i, 325i, 328i, M3	9/90-12/99	CM5539	94
S3 Quattro, 3.2Lt	8/06>	CM5651	90				
S6, Quattro, 4.2, 5.0Lt	6/06>	CM5654	91	3 Series, E36, 316i, M40 1.6L 4 cyl	9/90-9/93	CM5558	94
TT RS	12/09-4/11	CM5661	91	3 Series, E36, M3, 3.2Lt	8/94-1/98	CM5563	93
TT, 2.0Lt TFSi, 3.2Lt Quattro	8/06>	CM5651	90	3 Series, E36, M3	92-95	CM1798	93
TT	97-00	CM1221	91	5 Series, E60, E61, 520i, 530i, 525d, 530d, 535d	6/03-2/07	CM5584	94
Bentley							
Bentley	80-98	CM8109	91	5 Series, E60, 525D, 530D, 535D	1/05-12/06	CM5672	94
BMW							
1 Series, E87, 130i	11/05>	CM5498	91	5 Series, E60, E61, 523i, 525i, 530i, 540i, 545i, 550i	1/05>	CM5450	94
1 Series, E87	04>	CM5469	92	5 Series, E60, 540i, 545i, 550i	10/03>	CM5454	94
1 Series, E82, E88, 125i	8/08>	CM5498	91	5 Series, E39, 535i, 540i, M5	11/95-5/04	CM5446	94
1 Series, E82, E88, 135i	3/08>	CM5641	91	5 Series, E39, 535i, 540i	11/95-5/04	CM5527	94
1 Series, E81, E82, E87, E88, 120d, 123d	5/07>	CM5677	91	5 Series, E39, 520i, 523i, 525i, 528i, 530i, 530d	1/95-5/04	CM5563	95
1 Series, E81, E82, E87, E88	1/07>	CM5476	91	5 Series, E39	1/98>	CM5471	95
1 Series, E81, E87, 130i	3/05>	CM5457	92	5 Series, E39, 520i, 523i, 525i, 530i, 535i, 540i, M62 V8	96>	CM5516	95
1 Series, E81, E87, 118d, 120d	8/04>	CM5487	92	5 Series, E39, 520i, 523i, 525i, 528i, 525d	11/95>	CM5499	95
3 Series, E90, 335i	10/06>	CM5641	92	5 Series, E34, 525tds	11/90-1/97	CM5559	95
3 Series, E90	8/05>	CM5476	92	5 Series, E34, 530i, 535i, 540i	90-96	CM1798	95
3 Series, E90, 325d, 330d	6/05>	CM5672	92	5 Series, E34, 530i, 535i, 540i	90-96	CM5564	95
3 Series, E90, 325i, 330i	3/05>	CM5457	92	5 Series, E34, 520i, 525i, 530i	1/88-6/96	CM5539	95
3 Series, E90, 323i, 325i, 330i	3/05>	CM5498	92	5 Series, E34, 518i	4/89-10/95	CM1799	95
3 Series, E90, 318d, 320d	3/05>	CM5677	92	5 Series, E34, 518i	4/89-10/95	CM5669	95
3 Series, E90, 318i	2/05>	CM5499	92	5 Series, 533i	83-87	CM5741	95
3 Series, E90, E91, E92, E93	05>	CM5469	93	5 Series		CM5488	94
3 Series, E46, 320i, 323i, 328i, M3	2/98-7/06	CM5563	93	6 Series, E63, E64, 630i, 645csi, 650csi	9/04>	CM5450	96
3 Series, E46, 318, 320	9/01-2/05	CM5571	93	6 Series, E63, E64, 645i, 650i	10/03>	CM5454	96
3 Series, E46, 318i	10/99-2/05	CM5343	93	7 Series, E65, E66, 730i, 730d	6/02-8/08	CM5584	96
3 Series, E46, 316i, 318i, 318Ci, 320d	9/98-2/05	CM5488	93	7 Series, E65, E66, 730i, 740i, 745i, 750i	1/05>	CM5450	96
3 Series, E46, 318d, 320d	01-05	CM8752	93	7 Series, E65, E66, 735i, 740i, 745i, 750i, 760i	01>	CM5421	96
3 Series, E46, 318i, 320i, 323i, 325i, 330i, M3	2/98	CM5499	92	7 Series, E38, 730d, 730i, 735i, 740d, 740i	6/94-5/02	CM1798	96
3 Series, E46, E90		CM5516	93				
3 Series, E36, 325i, 325td, 328i	9/90-12/99	CM5559	93				

Make & Model	Year	Part No.	Page No.	Make & Model	Year	Part No.	Page No.
7 Series, E38, 730d, 730i, 735i, 740d, 740i	6/94-5/02	CM5681	96	Caterpillar		CM8375	100
7 Series, E38, 735i, 740i	3/96-9/01	CM5446	96	Caterpillar		CM8608	100
7 Series, E38, 735i	11/95-9/01	CM5527	96	Caterpillar		CM5379	101
7 Series, E38, 728i	11/95-9/01	CM5563	97	Caterpillar		CM5388	101
7 Series, E38	2/96-5/00	CM5471	97	Caterpillar		CM1856	100
7 Series, E38, 728i, 730d	11/95>	CM5499	97	Caterpillar		CM1879	100
7 Series, E38, 728i, 730d, 735i	11/95>	CM5516	97	Caterpillar		CM4624	100
7 Series, E32, 730i	3/91-5/94	CM5539	97	307C		CM1190	100
7 Series, E38, 730, 740, 750i	6/94>	CM5662	96	311, 330		CM1886	100
7 Series, E32, 730i, 740i, M60 V8	92-93	CM5564	97	311, 330, 350, 360		CM5348	100
7 Series, E32, 730i, 740i, M60 V8	92-93	CM1798	96	350, 360		CM5346	100
7 Series, 733i	83-87	CM5741	97	Articulated Truck, Grader		CM4769	100
8 Series, E31, 830Ci, 840Ci, M60 V8	90-96	CM1798	97	CS56 Compactor, 955C, 963C, Wheel Loader		CM4840	101
8 Series, E31, 830Ci, 840Ci, M60 V8	90-96	CM5564	97	Track Loader 930H, 990H		CM4840	101
X3, E83, 3.0Lt Diesel	7/04>	CM5497	98	Wheel Loader 980G, 980H		CM8487	101
X3, E83, 2.5, 3.0Lt	04>	CM5499	98	Wheel Loader 966G		CM4769	100
X3, E83, 2.5, 3.0Lt	04>	CM5486	97	Chevrolet			
X3, E83, E85, 2.0d	04>	CM8752	98	Chevrolet		CM1343	101
X3, E83, 2.5, 3.0Lt	10/03>	CM5516	98	Camaro, 3.1Lt V6, 5.7Lt V8	92>	CM1344	101
X5, E70, 4.8Lt	2/07-10/08	CM5666	98	Corvette, 6.0Lt	05-11	CM6550	101
X5, E53, 3.0Lt	7/00-10/06	CM5598	98	Silverado, 4.3Lt V6 Petrol	03-04	CM7028	101
X5, E53	5/00-1/07	CM5603	98	Silverado, 6.6Lt Turbo Diesel	03-04	CM7028	101
X5, E53	5/00>	CM5481	98	Silverado, 6.6Lt Diesel	99-02	CM7027	101
Z3		CM5488	98	Suburban 5.7 & 7.4Lt	96-02	CM6559	102
Z4, E85, 2.2i, 2.5i, 3.0i, 3.0si	03>	CM8752	98	Suburban, Early model GMC Truck 5.7 & 7.4Lt	88-92	CM1351	102
Cadillac				Chrysler			
Cadillac		CM2104	99	Grand Voyager, 4 cyl, V6	97>	CM5872	102
Case				Grand Voyager, 2.4Lt	10/95-9/00	CM5561	102
Case		CM4840	99	Neon, 2.0Lt	7/96-8/99	CM5643	102
Case		CM4768	99	PT Cruiser, 2.4Lt	01>	CM5705	102
Tractor		CM8046	99	PT Cruiser, 2.0, 2.4Lt	6/00>	CM5646	102
Tractor		CM8047	99	Voyager, 3.3Lt	01>	CM5644	102
Tractor		CM8489	99	Voyager, 3.3Lt V6	96-00	CM5645	102
Tractor		CM7480	99	Voyager, 2.4Lt	10/95-9/00	CM5561	102
Tractor		CM4609	99	Citroen			
Wheel Loader 621 DXT		CM8489	99	Berlingo, 1.4Lt	97>	CM1510	102
Caterpillar				C2, 1.6Lt DOHC	06-08>	CM1438	103
Caterpillar		CM4479	99	C3, 1.4Lt SOHC, 1.6Lt DOHC	02>	CM1438	103

Make & Model	Year	Part No.	Page No.	Make & Model	Year	Part No.	Page No.
C4	4/05>	CM1350	103	Applause	10/93-9/97	CM1604	106
C4	9/04>	CM1353	103	Applause	10/89-9/93	CM1720	106
C4		CM1352	103	Centro L500, 0.7Lt	3/95>	CM1664	106
C5, 2.0Lt Hdi 4 cyl Diesel	07-08>	CM1318	103	Charade L251, 1.0Lt	03>	CM5360	106
C5, 3.0Lt	00-04	CM1322	103	Charade	03>	CM1689	106
C5, ES9J4S, 6 cyl, Injected		CM1209	103	Charade G200, 1.3Lt	6/94>	CM1609	106
C5		CM1352	103	Charade G202, G203, 1.5Lt	2/93>	CM1610	106
C8		CM1352	103	Cuore L700S	7/00-9/03	CM1689	105
Xantia, Series 1 & 2, 6 cyl		CM1209	103	Delta	8/94>	CM1749	106
Xantia		CM1227	103	Delta	8/94>	CM1634	106
Xantia, Series 1, 2.0Lt 4 cyl	9/94>	CM7854	103	Delta, Diesel	8/94>	CM1748	107
XM, Series II		CM1209	103	Feroza F300	9/93>	CM1612	107
Xsara	99>	CM1352	103	Feroza F300	8/89-93	CM1721	107
Xsara	99-04	CM1227	103	Handivan L701	86-93	CM1689	107
Xsara, 1.6Lt	98-05	CM1510	102	Mira		CM1664	107
Claas				Move L601, 0.8Lt	2/97-12/98	CM1664	107
Agricultural		CM5631	104	Pyzar G301, G303	2/97>	CM1610	107
Combine, Agricultural		CM5761	104	Sirion, 1.3Lt	02>	CM1766	107
Combine, Agricultural		CM5762	104	Sirion K3	98>	CM5356	107
Combine, Agricultural		CM5763	104	Sirion	4/98>	CM1689	107
Renault Tractor	99>	CM5638	104	Terios, J100, J102	6/97-05	CM5358	107
Daedong				YRV, 1.3Lt	01>	CM1766	108
Daedong Agricultural		CM2505	104	Daimler			
Daewoo				Daimler, 4.0Lt V8	10/97-8/05	CM5640	108
Cielo Hatchback, 1.5Lt		CM1817	104	Dodge			
Cielo, 1.5Lt		CM1849	104	Caliber PM, 2.4Lt	10/06-8/10	CM5789	108
Cielo, 1.5Lt	94>	CM1815	104	Nitro	07>	CM4692	108
Espero, 1.5Lt		CM1849	104	Nitro, 3.7Lt V6	07>	CM5837	108
Espero, 1.5Lt	94>	CM1815	104	Ram, 5.9Lt Diesel	06-08	CM5745	108
Lanos KA-KC	8/97-3/03	CM1816	105	Fendt			
Lanos KD-KL	6/98-10/00	CM1824	105	Farmer 200		CM5455	108
Leganza		CM5312	105	Tractor		CM5782	108
Matiz	10/99-1/05	CM1925	105	Fiat			
Nubira, Series 1 & 2	6/97-5/03	CM1845	105	Fiat		CM1150	108
Solar V Excavator Doowon		CM1920	105	Ducato, 2.3Lt Turbo Diesel	11/05>	CM7883	109
Daf				Ducato, 2.8Lt Turbo Diesel	3/02>	CM7882	109
Daf Truck		CMA929	105	Stilo, 1.9Lt	10/01>	CM5760	109
Daf Truck CF85, XF105		CM8231	105	Ford			
Daihatsu				Courier	03>	CM5750	109
Applause	9/97-5/00	CM1614	106	Courier PC-PE	94>	CM7863	109
				Econovan		CM7863	109

Make & Model	Year	Part No.	Page No.	Make & Model	Year	Part No.	Page No.
Escape, V6	01-07	CM5744	109	LTD DA, DC	88-93	CM3301	111
Escape ZB, 2.3Lt V6	1/04-5/06	CM5746	109	LTD FD, V8	82-84	CM1924	111
Explorer, 4.0Lt, 6 cyl	96>	CM0002	109	Mondeo MA MB, 1.8, 2.0Lt Turbo Diesel	3/07-10/10	CM5709	112
F150		CM1200	109	Mondeo, XR5 Turbo 2.5Lt	10/07>	CM5609	112
F150		CM1204	110	Mondeo, 2.0Lt	5/99>	CM1011	112
F250	2/01>	CM1202	110	Mondeo, 2.0Lt	95-4/99	CM1019	112
F250, 7.3Lt Diesel		CM1210	110	Mondeo, 2.0Lt	95-4/99	CM1009	113
Fairlane NF, NL, 6 cyl	94-99	CM3305	111	Mustang	06>	CM5744	113
Fairlane NF, NL, V8	94-99	CM3304	111	Raider, 2.6Lt	80-7/95>	CM7863	113
Fairlane NA, NC, 6 cyl	88-93	CM3301	111	Ranger, 2.5, 3.0Lt Diesel	4/09>	CM5750	113
Fairlane ZL, 6 cyl	84-88	CM3212	111	Taurus, 3.0Lt	96>	CM0001	113
Fairlane ZH/ZK	76-84	CM1924	111	Telstar AX, 2.5Lt	1/92-8/94	CM5605	113
Falcon FG MKII, 2.0Lt 4 cyl	3/12>	CM5771	110	Territory SZ, 2.7Lt Turbo Diesel 6 cyl	5/11>	CM5773	113
Falcon FG MKII, 4.0Lt 6 cyl	11/11>	CM5770	110	Territory SZ, 4.0Lt 6 cyl	5/11>	CM5770	113
Falcon FG MKII, 5.0Lt V8	11/11>	CM5772	110	Territory, SX, SY Series 1 & 2, 4.0Lt 6 cyl	4/04-4/11	CM1760	113
Falcon FG, XR6, 4.0Lt 6 cyl	4/08>	CM1857	110	Trader, 3.5, 4.0Lt	93>	CM3206	113
Falcon FG, XR8, 5.4Lt V8	4/08>	CM1858	110	Trader, 4.0Lt	89-93	CM7888	114
Falcon BA, BAII, BF, BFII, XR6, 4.0Lt	9/02-4/08	CM1760	110	Trader, 3.0, 3.5Lt	79-93	CM7863	114
Falcon BA, BAII, BF, BFII, XR8, 5.4Lt V8	9/02-4/08	CM1759	110	Trader		CMA930	114
Falcon AU, 6 & 8 cyl	99-02	CM1200	111	Transit, 2.2Lt TDCI	7/06>	CM1907	114
Falcon AU, 6 & 8 cyl	99-02	CM1204	111	Transit, 2.4Lt TDCI	7/06>	CM1908	114
Falcon XH Ute, 6 cyl	96-99	CM3305	111	Transit, 2.4Lt Diesel	01>	CM1017	114
Falcon EB, ED, EF, EL, V8	94-99	CM3304	111	Transit, 1.8Lt TDCI		CM1216	114
Falcon ED, EF, EL, 6 cyl	94-99	CM3305	111	Transit, All IV & V		CM1012	114
Falcon EA, EB, EBII, ED, 6 cyl	88-93	CM3301	111	Truck		CM8602	114
Falcon XF, 6 cyl	85-89	CM3212	111	Franna			
Falcon XD, XE, V8	79-84	CM1237	111	Franna Crane		CM5464	115
Falcon XA-XE	72-73	CM1924	111	Freightliner			
Fiesta, 1.4, 1.6Lt	08>	CM5693	111	Freightliner		CM8491	115
Fiesta	97>	CM1216	111	Freightliner		CM8075	115
Focus XR5 Turbo	11/06>	CM8377	112	Freightliner		CM8548	115
Focus LS, LT, LV, inc Cabriolet, 1.6, 2.0Lt	5/06>	CM1217	112	Freightliner		CM8802	115
Focus	98-05	CM1216	111	Freightliner		CM8687	115
KA, 1.3Lt	11/99-12/03	CM1006	112	Freightliner		CM8482	115
Laser KN, KQ	99>	CM5067	112	Freightliner Cascadia		CM6577J	115
Laser KJ, Series II	11/95>	CM3005	112	Freightliner		CM8485	115
Laser KH, 1.6Lt	90-94	CM5054	112	Freightliner SS55	99-01	CM4756	115
LTD DF, DL	94-98	CM3305	111	Freightliner Truck		CM4626	116
				GMC			
				GMC Ambulance		CMA917	116
				GMC Truck, 5.7, 7.4Lt	96-02	CM6559	116

Make & Model	Year	Part No.	Page No.	Make & Model	Year	Part No.	Page No.
Hino				Barina XC		CM1447	120
Bus, RB8	08>	CM5437	116	Barina SB	4/94>	CM5325	120
Dutro XZU Series	6/04-2/07	CM1796	116	Barina MF, MH	1/89-3/94	CM1718	120
FC3J, 6.6Lt 5 cyl	11/96-1/03	CM1667	116	Calibra YE	91-97	CM5312	120
FC3W, FT3W		CM1624	116	Camira JD-JE	86-8/89	CM7863	120
FD	03>	CM1791	116	Camira JB, 1.6Lt	8/82-12/84	CM8004	120
FD2J, FF1J, FM1J, FT1J, GD1J, GT1J		CM1660	116	Captiva CG, 2.0Lt Turbo Diesel	3/07>	CM6556	120
FD3H, FE, FF3H, GT3H	89-90	CM1633	117	Captiva, Diesel	07>	CM6899	121
FM1, FP1, FS1K, FR1, FW1	95>	CM1640	117	Captiva CG	10/06>	CM6552	121
FM1A		CM5794	117	Captiva CG, 2.4Lt Petrol	10/06>	CM6558	121
FM3M		CM1648	117	Captiva CG, 3.2Lt V6	10/06>	CM6557	121
FT3W		CM1675	117	Combo SB	2/96>	CM5325	120
Liesse	96>	CM1888	117	Colorado RC, 3.0Lt Diesel	7/08-5/12	CM2520	125
Ranger FD	06>	CM1885	117	Colorado RC, 3.5Lt V6	7/08-5/12	CM2531	126
Truck	04>	CM1873	117	Colorado RC, 2.4Lt 4 cyl	7/08-11/09	CM2520	125
Truck		CM1685	117	Commodore VE, 3.6Lt V6	7/06>	CM8700	121
Truck		CM1871	117	Commodore VE, 6.0Lt V8	7/06>	CM8708	121
Hitachi				Commodore VZ, 3.6Lt V6 RWD	8/04-9/06	CM8695	121
Excavator		CM5348	118	Commodore VZ, 3.6Lt V6, AWD	8/04-9/06	CM8694	121
Kenki		CM8332	118	Commodore VZ, 5.7, 6.0Lt V8	8/04-9/06	CM8696	121
Kenki		CM8343	118	Commodore VT, VX, VY, VU Ute, 5.7Lt V8	6/99-7/04	CM7020	121
Kenki		CM8374	118	Commodore VT, 5.0Lt V8	6/97-6/99	CM5262	122
Kenki		CM8378	118	Commodore VT, HSV, 5.7Lt V8	97-99	CM5262	122
Kenki, ZX200		CM9332	118	Commodore VT, VX, VY, VU Ute, 3.8Lt V6	8/97-6/99	CM5257	122
Loader		CM5027	118	Commodore VS, 3.8Lt V6	4/95-8/97	CM3207	122
Holden				Commodore VN, VP, VR, VS, 5.0Lt V8	3/89-8/97	CM3203	122
Apollo JM-JP, 4 cyl	4/93-5/97	CM1618	119	Commodore VN, VP, VR, 3.8Lt V6	8/88-4/95	CM3202	122
Apollo JM-JP, V6	4/93-5/97	CM1674	118	Commodore VK, VL	84-6/92	CM3001	122
Apollo JK, JL	8/89-3/93	CM1702	119	Commodore VB, VC, VH	78-84	CM8003	122
Astra AH, 2.0Lt Turbo	6/06-3/10	CM5320	119	Commodore VB, VC, VH	78-84	CM8007	122
Astra AH, 1.9Lt Diesel	6/06>	CM5318	119	Commodore VB, VC, VH	78-84	CM7863	122
Astra AH, 2.2Lt	06>	CM5321	119	Cruze JH, 1.4Lt Turbo Petrol, 4cyl	11>	CM2555	123
Astra AH, 1.8 & 2.2Lt	7/05-6/08	CM5320	119	Cruze JH, 1.8Lt Petrol, 2.0Lt Diesel	11>	CM2556	122
Astra AH, Z18XE 1.8Lt	04>	CM5317	119	Cruze JG, 2.0Lt Turbo Diesel	6/09>	CM2554	123
Astra TS, Z18XE 1.8Lt	12/00-8/04	CM5714	119				
Astra TS, X18XE 1.8Lt	10/98-12/02	CM5314	119				
Astra TS, Z22SE	10/98>	CM8600	119				
Astra TR	9/96-9/98	CM5312	119				
Astra LB, LC, LD	8/84-92	CM7863	120				
Barina TK	05>	CM5265	120				
Barina XC, 1.4Lt	4/01-10/05	CM5714	120				

Make & Model	Year	Part No.	Page No.	Make & Model	Year	Part No.	Page No.
Cruze JG, 1.8Lt Petrol	09>	CM2553	123	Statesman, V8	72-83	CM8003	124
Cruze YG, 1.5Lt	6/02-6/06	CM2552	123	Statesman, V8	72-83	CM8007	124
Drover QB	82-3/94	CM7863	123	Suburban		CM6570	126
Epica EP, 2.0Lt Diesel	7/08>	CM2543	123	Torana LH	75>	CM8003	126
Epica, 2.0Lt Turbo Diesel	7/08>	CM2544	123	Torana LH	75>	CM8007	126
Epica, 2.0Lt V6	10/07>	CM2545	123	Vectra, ZC, Z32SE 3.2Lt V6	03-06	CM8603	127
Epica, 2.5Lt V6	10/07>	CM2546	123	Vectra, ZC, Z32SE 3.2Lt V6	03-06	CM8601	127
Frontera	12/98-6/01	CM8329	123	Vectra JS, X25XE, Y26SE	7/98>	CM1681	127
HQ-WB, Kingswood V8	72-83	CM8003	124	Vectra JR, JS	6/97>	CM5324	127
HQ-WB, Kingswood V8	72-83	CM8007	124	Vectra JR, X25XE 2.5Lt	6/97-8/98	CM1681	127
Jackaroo, 3.0Lt Diesel	98>	CM3022	124	Viva, JF	9/05-5/09	CM5263	127
Jackaroo	6/01>	CM8329	124	Zafira TT, 2.2Lt	6/01-5/06	CM8600	127
Jackaroo, V6	2/98-5/01	CM8314J	124				
Jackaroo UBS92, 3.2Lt Petrol	4/92-1/98	CM3967	124	Honda			
Jackaroo UBS92, Diesel	4/92-1/98	CM3017	124	Accord Euro		CM7574	127
Jackaroo UBS92, 3.2Lt Petrol	4/92-97	CM3018	124	Accord	2/03>	CM5528	127
Jackaroo	82-3/94	CM7863	124	Accord	2/03>	CM5422	127
Jackaroo, Diesel		CM8355	124	Accord, 3.0Lt V6	03>	CM5458	128
Monaro CV6, 3.8Lt V6	12/01-8/03	CM5257	125	City	06>	CM3406	128
Monaro CV8, 5.7Lt V8	6/99-9/04	CM7020	125	Civic, 1.8Lt	06>	CM3410	128
Nova LG	9/94>	CM1607	125	Civic	01-05	CM4967	128
Nova LE, LF	8/91-8/94	CM1644	125	Civic, VTI-R, B15A2	93-98	CM3062	128
Nova LE, LF	7/89-8/94	CM1708	125	Civic, VTI-R, B15A2	93-98	CM3062J	128
Rodeo RA03, 2.4Lt 4 cyl	2/03-7/08	CM2520	125	CRV, 2.4Lt	2/07	CM5608	128
Rodeo RA03, 3.5, 3.6Lt V6	2/03-7/08	CM2521	125	CRV	02-05	CM7574	128
Rodeo RA03, 3.0Lt Turbo Diesel	2/03-11/07	CM2522	126	CRV, 2.0Lt	98-05	CM5537	128
Rodeo RA03, 2.8Lt	3/03>	CM2510	125	CRV	10/97-12/01	CM3062	128
Rodeo RA03, 3.0Lt Turbo Diesel	3/03>	CM2513	125	CRV	10/97-12/01	CM3062J	128
Rodeo RA03, 3.6Lt V6	3/03>	CM2511	126	Jazz	02-08	CM5452	129
Rodeo RA03, V6 Alloytec	3/03>	CM2531	126	Jazz		CM3624	128
Rodeo, Petrol	5/01-3/03	CM2508	126	MDX, V6	03>	CM5385	129
Rodeo TF99, Diesel	4/98-3/03	CM2509	126	Odyssey	05>	CM5377	129
Rodeo, 3.2Lt V6	4/99>	CM2532	126	Odyssey	02>	CM5030	129
Rodeo TF93, TF97, TF99, Petrol/Diesel 2.6, 2.8Lt	9/93-01	CM3017	126	Odyssey	02>	CM5028	129
Rodeo	80-3/94	CM7863	126	Hyster			
Shuttle	81-91	CM7863	126	Hyster Forklift		CMA974	129
Statesman WH, WK, 5.7Lt V8	6/99-7/04	CM7020	121	Hyundai			
Statesman WH, WK, 3.8Lt V6	8/97-6/99	CM5257	122	Accent MC, 1.6Lt	5/07-1/10	CM1921	129
				Accent	03>	CM1897	129
				Accent LC, 1.5Lt	6/00-2/03	CM1914	129
				Coupe, 2.0Lt	96-02	CM1812	130
				Excel X2	1/93-2/95	CM1810	130

Make & Model	Year	Part No.	Page No.	Make & Model	Year	Part No.	Page No.
Excel X3 Twin	97>	CM1811	130	FSR, FSS, FTR, FTS, NPR, NKR, 3.6Lt & 4.3Lt	80-92	CM7863	133
Excel X3	6/94-6/97	CM1807	130			FXZ	CM5381
Getz, 1.6Lt	9/02>	CM1906	130	NPR		CM7906	133
Getz TB, 1.5Lt	9/02-05	CM1821	130	NKR, NPR, 3.6Lt	80-92	CM7863	133
Grandeur XG, 3.0Lt V6		CM1899	130	NPR300		CM8368	134
iload TQ, 2.5Lt Diesel Turbo	2/08-11	CM1991	130	NPS, 3.9Lt Turbo Diesel	80-92	CM7863	133
Lantra	97>	CM1812	130	Powerstar		CMA968	134
Lantra, Early J2	95-97	CM1851	130	TF		CM8365	134
Lantra	94-95	CM1814	131	Truck		CM9025	134
Mando Loader		CM8373	131	Truck F Series		CM8116	134
Santa Fe CM SX, 2.7Lt V6 Petrol	5/07-10/09	CM1909	131	Truck F Series		CM8169	134
Santa Fe, 2.2Lt	11/06>	CM1910	131	Truck N Series		CM8115	134
Santa Fe CM Elite SLX, 2.7Lt V6 Petrol	5/06-6/07	CM1909	131	Truck N Series		CM8156	134
Santa Fe, 2.2Lt Diesel	06-08	CM1912	131	Truck, Longbed 950		CM7406	134
Santa Fe		CM1901	131	Iveco			
Santa Fe		CM1903	131	Daily		CM7882	135
Sonata NF, 3.3Lt V6	3/07-5/08	CM1988	131	Daily	5/99>	CM5549	135
Sonata, 2.4Lt	05>	CM1823	131	Eurocargo		CM7948	135
Sonata	02>	CM1820	131	Eurotech	1/02>	CM5634	135
Sonata EF, 2.0Lt 4 cyl	1/98>	CM1898	132	New Daily, 2.3Lt	00>	CM5619	135
Sonata, 2.0Lt 4 cyl	7/94-11/97	CM1813	132	New Daily, 2.8Lt	1/99-12/06	CM5830	135
Terracan, 2.9Lt Diesel	01>	CM1911	132	Stralis Truck	97>	CM5585	135
Terracan, 3.5Lt V6		CM1900	132	Truck		CM7803	135
Trajet	7/00-5/04	CM1903	132	Truck		CM8667	135
Tucson, 2.0Lt 4 cyl Petrol	4/07-1/10	CM1984	132	Truck		CM7933	135
Tucson, 2.7Lt V6 Petrol	4/07-1/10	CM1986	132	Truck		CM8124	136
Tucson, 2.7Lt V6	04-08	CM1987	132	Truck		CMA916	136
Tucson, 2.0Lt 4 cyl Petrol	10/05-3/07	CM1983	132	Truck		CMA919	136
International				Jaguar			
International Truck		CM7803	133	S Type, 2.5, 3.0Lt, V6		CM1003	136
International Truck		CM8667	133	S Type, 4.0Lt, V8		CM1004	136
Iseki				XJ		CM8003	136
Iseki Tractor		CM8325	133	XJ		CM8007	136
Isuzu				XJ12	1/94-12/02	CM5846	136
Isuzu		CM8356	133	XJ300, XJ400		CM7895	136
Isuzu		CM8359	133	XJ40, 3.2, 4.0Lt	10/91-11/94	CM7954	137
Isuzu		CM5398	133	XJ40, 3.2, 4.0Lt	11/93>	CM7952	137
FSR, FSS, FTR, FTS, FVM, FVR, FVZ, FZR, NPR		CM7906	133	XJ6, X300, 3.2, 4.0Lt	9/94-9/97	CM5846	136
				XJ8, 3.2, 4.0Lt	10/97>	CM5640	137
				XJ8, 3.2, 4.0Lt	7/97-5/03	CM5844	137
				XJR, 4.0Lt	9/94-9/97	CM5846	136

Make & Model	Year	Part No.	Page No.	Make & Model	Year	Part No.	Page No.
XK, X103	1/02-12/06	CM5842	137	MX		CM8660	141
XK8, 4.0, 4.2Lt	3/96-2/06	CM5842	137	Truck		CM8040	141
XK8, 4.0Lt	2/98>	CM5844	137	Truck		CM7069	141
JCB				Truck		CM7949	141
JCB		CM8647	137	Truck		CM7950	141
JCB		CM8664	137	Truck		CM4626	141
JCB VM115		CM8203	137	Truck		CM7384	142
Jeep				Truck K108	7/08>	CM7086	141
Cherokee	06>	CM5837	137	Truck T350	<6/08	CMA941	141
Cherokee KJ, 3.7Lt V6	9/01-3/08	CM3335	138	Truck T350, T4, T6, T9		CM8083	141
Cherokee KJ	9/01>	CM8639	138	Truck, K104B, T358, T388		CM7392	142
Cherokee XJ, 2.5Lt Diesel	1/97>	CM5849	138	Kia			
Cherokee XJ, Diesel		CM4691	138	Carnival, KV11, 2.5Lt V6	10/03-2/07	CM7328	142
Cherokee XJ, Petrol	95>	CM4636	138	Ceres		CM1893	142
Grand Cherokee WG, 4.7Lt V8	00>	CM5815	138	Grand Carnival, 3.8Lt V6	1/06-5/10	CM7338	142
Grand Cherokee	05>	CM5824	138	K2900 Truck		CM1891	142
Grand Cherokee, 4.0Lt	3/96-7/99	CM5820	138	K2700 Truck		CM1893	142
Laredo	05>	CM5824	138	Magentis		CM1823	142
Wrangler		CM5833	138	Mentor		CM7326	142
John Deere				Optima		CM1899	142
John Deere Agricultural		CM5448	139	Pregio, 2.7Lt 4 cyl	7/02>	CM1892	143
John Deere Agricultural		CM5470	139	Rio		CM1894	143
John Deere Agricultural		CM5472	139	Rio JB, 1.4, 1.6Lt	2/05>	CM1913	143
John Deere Agricultural		CM5474	139	Sorrento, 3.5Lt V6	03>	CM1889	143
John Deere Agricultural		CM5480	139	Sportage		CM7324	143
John Deere Agricultural		CM5482	139	Komatsu			
John Deere Agricultural		CM5636	139	Dump Truck		CM5465	143
John Deere Agricultural		CM5650	139	Excavator		CM8331	143
John Deere Agricultural		CM5653	139	Komatsu		CM1785	143
John Deere Agricultural		CM5674	139	Komatsu		CM1861	143
John Deere Agricultural		CM5675	140	Machinery		CM5348	144
John Deere Agricultural		CM5680	140	Mini Loader		CM8382	144
John Deere Agricultural		CM8550	140	PC228		CM8372	144
John Deere Agricultural		CM5027	140	PC300		CM1784	144
John Deere Agricultural		CM1770	140	PC300		CM5442	144
John Deere Agricultural		CM1771	140	TCM		CM8383	144
John Deere Agricultural		CM1792	140	WA 430A		CM8948	144
John Deere Agricultural		CM1793	140	WA500 Loader		CM6314	144
Kato				WB975, WB97R		CM1536	144
Kato Crane		CM5345	140	Kubota			
Kenworth				Kubota Excavator		CM4680	145
Kenworth		CM8664	141	Kubota Excavator		CM5348	145

Make & Model	Year	Part No.	Page No.	Make & Model	Year	Part No.	Page No.
Kubota M90		CM5347	145	Premium 370 DCI	06>	CM8093	148
Lamborghini				Titan		CM7865	148
Lamborghini Gallardo		CM5659	145	Titan		CM8981	148
Lancia				Truck		CM8883	148
Lancia		CM1150	145	Truck		CM6312	149
Land Rover				Manitou			
Defender 90, 2.5Lt TD	4/98-9/06	CM5576	145	Forklift		CM1536	149
Defender 110, 3.9Lt	10/89-9/03	CM5577	145	Massey Ferguson			
Defender, 2.5Lt Diesel	99-02	CM8089	145	Tractor		CM1822	149
Discovery, 4.0Lt V6	4/05-9/09	CM5632	146	Mazda			
Discovery, 2.7, 4.4Lt V8	1/04>	CM5635	146	121	87>	CM5371	149
Discovery II, 2.5Lt TD, TDi	1/99-6/04	CM5576	145	121, Metro, 1.3Lt	94-02	CM3089	149
Discovery	9/93>	CM5630	146	323 BJ	99-12/03	CM5067	150
Discovery, 2.5Lt	10/89-12/98	CM5846	146	323, 1.6Lt		CM5054	150
Discovery I, 3.5Lt	10/89-6/94	CM5577	145	323, Astina BA, BP, 1.8Lt	94-96	CM5059	150
Discovery I, 2.5Lt Diesel	89-94	CM3290	146	323, Astina	95-97	CM3046	150
Discovery, TD5		CM5847	145	323, Astina BA, BP, 1.8Lt	94-96	CM5059	150
Freelander, 2.5Lt V6	01-07	CM1218	146	626, 2.5Lt	90-94	CM5605	151
Freelander, 1.8Lt	10/00-10/06	CM5591	146	B Series	83-95	CM7863	151
Freelander, 1.8Lt	10/00-10/06	CM5562	146	B2500	5/96>	CM5376	151
Freelander, 2.0Lt	10/00-10/06	CM5581	146	B2600, 2.6Lt	11/93>	CM1651	151
Freelander, 2.5Lt	10/00-10/06	CM5649	146	Bravo		CM1754	151
Freelander, 1.8Lt	1/99-11/00	CM5766	147	BT50, 2.5, 3.0Lt Diesel	12/06>	CM5750	151
Freelander, 2.0Lt Diesel	98>	CM5565	147	CX-7	07- 9/09	CM5737	151
Lexus				CX-7	07- 9/09	CM5737J	151
ES300 MCV20R, 3.0Lt, V6	8/96>	CM1679	147	E Series	84>	CM7863	151
GS300 ZS160R, 3.0Lt, V6	11/00>	CM5399	147	E2500		CM7319	151
IS200	1/99-05	CM5403	147	E2500		CM8376	152
IS300	1/99-05	CM5403	147	Mazda 2, DE 1.5Lt	08>	CM5730	149
IS350, GSE21R	10/10>	CM5363	147	Mazda 2, DY 1.5Lt	02-08	CM5727	149
IS F, USE20R	10/08>	CM5852	147	Mazda 3	09>	CM0325	149
LS400, 4.7Lt V8	3/98-10/07	CM1765	147	Mazda 3, SP23, BK, 2.0, 2.3Lt	1/04>	CM5733	149
LS400 UCF20R, V8	10/94-6/97	CM5400	147	Mazda 3, SP23, BK, 2.0, 2.3Lt	1/04>	CM5733-01	150
LS400 UCF10R, V8	12/89-10/94	CM5328	148	Mazda 6, GH, 2.5Lt	2/08-9/11	CM5738	150
LX470 UZJ100R, 4.7Lt V8	5/98-3/08	CM1765	148	Mazda 6, GY, GG, 2.0Lt Diesel, 2.3Lt Petrol	05-08	CM5736	150
LX570 URJ201R, 5.7Lt V8	4/08>	CM1872	148	Mazda 6, GY, GG, 2.0Lt Diesel, 2.3Lt Petrol	05-08	CM5736J	150
RX350, GSU35R	2/06>	CM5404	148	Mazda 6, Diesel	02>	CM5759	150
RX450H, GLY15R	6/09>	CM5623	148	MX-5, NB30P1, NB30P2	98-05	CM3089	152
Mack				MX-5	11/93>	CM1601	152
Magnum Truck		CMA921	148				

Make & Model	Year	Part No.	Page No.	Make & Model	Year	Part No.	Page No.
MX-5	89-93	CM5375	152	CL Class, C215, CL65 AMG	4/03>	CM5691	155
RX8	7/03>	CM5378	152	CL Class, C215, CL500	9/99-7/03	CM5491	154
T Series Truck		CMA930	152	CL Class, C215, CL600, CL55 AMG	9/99>	CM5536	154
T Series Truck		CM7319	152	CL Class, C215, CL600, CL55 AMG	9/99>	CM5569	155
T Series, 3.5, 4.0, 4.6Lt	80-92	CM7863	152	CL Class, C140, CL420, CL500	1/96-12/99	CM5543	155
T4000		CM7888	152	CL Class, C140, CL600	6/93-8/99	CM5522	155
Tribute, V6	01-07	CM5744	152	CLK Class, C209, CLK200	5/02-1/08	CM5583	155
Tribute MY04, 2.3Lt V6	1/04-5/06	CM5746	153	CLK Class, C208	4/97>	CM5518	155
McCormick				CLS Class, W219, CLS320	3/05>	CM5667	154
McCormick Tractors		CM4609	153	CLS Class, W219, CLS280, CLS350	4/02>	CM5683	155
Mercedes Benz				CLS Class, W219, CLS350	02>	CM5655	156
300D, 300TD, E300D	3/85-6/95	CM1786	153	CLS Class, W219, CLS500	6/00-8/05	CM5785	155
300D, 300TD, E300D	3/85-6/95	CM5656	153	CLS500, CLS55 AMG	7/04>	CM5683	155
A Class, W169 A160, A180, A200, Cdi	04>	CM5467	153	CLS500, CLS55 AMG	7/04>	CM5655	156
A Class, A140, A160, A170, A21 AMG	6/97>	CM5548	153	E Class, W212, E500	7/09>	CM5663	156
A Class, W168	6/97>	CM5456	153	E Class, W212, E200, E220, E250cdi, E350i, E350cgi	3/09>	CM5689	156
Actros	99>	CM5468	154	E Class, W211, E230, E280, E350	4/06-11/09	CM5784	156
Actros	96-02	CM5463	153	E Class, W211, E200 Kompressor	4/06-3/09	CM5838	156
Actros	96-02	CM5466	153	E Class, W211, E200 Kompressor	8/02>	CM5583	156
Actros	96-03	CM5462	154	E Class, W211, E200, E320	8/03>	CM5667	156
Atego 90	1/89-12/98	CM5545	154	E Class, W211, E200, E220 Cdi, E280, E500, E55AMG	4/02>	CM5655	156
B Class, W245, B180, B200, Cdi	05>	CM5467	154	E Class, W211, E200, E220, E230, E270, E280, E350, E500, E55AMG	4/02>	CM5683	156
C Class, W204, C180, C200, Kompressor	1/07>	CM5829	154	E Class, W211, E240, E280, E320, E500	4/02	CM5496	156
C Class, W204, C200, C220 Cdi, C230, C280, C350	07>	CM5473	154	E Class, W124, E200, E220, E250, E400, E420, E500	2/91>	CM5521	157
C Class, W203	4/03-11/08	CM5489	155	E Class, W124, E200D	3/85-5/93	CM1786	157
C Class, W203, C320	1/05>	CM5667	154	E Class, W124, E200D	3/85-5/93	CM5656	157
C Class, W203, C180, C200, C230	5/02-1/08	CM5583	155	E Class, W124, E200, 250D, 250TD, E250, 260, 300, 300D, E300	1/85-1/96	CM5542	157
C Class, W203, C240, C320	6/00-8/05	CM5785	154	E Class, W124	1/85>	CM5519	157
C Class, W203, C240, C320	6/00>	CM5491	154	E Class, W124, 230, 260, E280, 300, E320	3/85-3/98	CM1797	157
C Class, W203, C180, C200, C230, C240, C270, C280, C320	9/99>	CM5536	154				
C Class, W203, C180, C200, C230, C240, C270, C280, C320	9/99>	CM5569	155				
C Class, W202	6/93>	CM5518	155				
C Class, W202, C180, C200, C220, C230, C240, C250, C280	6/93	CM5520	155				
CL Class, CL203, C Coupe Sport C160 Kompressor	5/02-7/06	CM5583	155				

Make & Model	Year	Part No.	Page No.	Make & Model	Year	Part No.	Page No.
E Class, W124, E200, E220, E250, E400, E420, E500	2/91>	CM1797	157	SL Class, R129, SL500		CM1797	160
				SL Class, R129, SL500		CM5521	160
E Class, W124, E230, 260, E280, 300, E320	3/85-3/98	CM5529	158	SL Class, R129, SL280, SL320, 600SL	8/91-7/01	CM5671	160
E Class, W124, W210	10/92>	CM5518	157	SL Class, R230, SL350, SL500, SL55 AMG	8/01-7/05	CM5477	160
G Class, W461, 250GD, 290GD, 300GD	8/87-7/96	CM5459	157	SLK Class, R170	9/96>	CM5518	160
G Class, W460, W461, W463, 230G, 230GE, G230, G300	2/80-7/96	CM1797	157	SLK Class, R171, SLK280, SLK350, SLK55 AMG	2/04>	CM5828	160
G Class, W460, W461, W463, 230G, 230GE, G230, G300	2/80-7/96	CM5529	158	Sprinter		CM1022	161
GL Class, X164 GL500	7/06>	CM5483	158	Sprinter, 308, 312, 313, 412, 413		CM1010	161
M Class, W163, ML270	6/99-7/05	CM5538	158	Sprinter, W901, W902, W903, W904	12/94>	CM1797	161
MB100D, MB140D		CM1121	158	Sprinter, W901, W902, W903, W904	12/94>	CM5521	161
MB140D, 2.9Lt Diesel		CM1122	158	Sprinter, W901, W902, W903, W904	12/94>	CM5621	161
ML Class, W164, ML350	8/05>	CM5483	158	Sprinter, W906	1/06>	CM5492	161
ML Class, W164, ML500	8/05>	CM5769	158	Sprinter, W906, 318CDi	2/06>	CM5626	161
ML Class, W164, ML280, ML320, ML420	05>	CM5493	158	Sprinter, W906	6/06>	CM5593	160
ML Class, W163, ML270, ML320, ML350, ML500, ML55 AMG	4/98>	CM5494	158	Truck		CM7014	161
R Class, V251, R350	8/05>	CM5483	158	Truck		CM8085	161
R Class, V251, R500	8/05>	CM5769	158	Truck		CM5464	161
S Class, W221, S450, S500	9/05>	CM5769	158	V Class, W638 Vito 112CDi, 114	8/96-7/03	CM5538	162
S Class, W220, S55 AMG	9/02-8/05	CM5536	159	V Class, W638 Vito 113	11/95>	CM5519	162
S Class, W220, S55 AMG	9/02-8/05	CM5569	159	V Class, W638 Vito	11/95-7/03	CM5521	162
S Class, W220, S280, S350, S430, S500	7/01-9/03	CM5491	159	V Class, W639 Vito 109 Cdi	8/06>	CM5593	162
S Class, W220, S600, S65 AMG	9/02-8/05	CM5691	159	V Class, W639 Vito, 109, 111, 115	8/03>	CM5495	162
S Class, W140, 400SE, 400SEL, S400, S420, 500SE, 500SEL, S500	8/91-10/98	CM5543	159	V Class, W639 Vito, 119, 122, 123	8/03>	CM5594	162
S Class, W140, S320, 400SE, 400SEL, S420, 500SE, 500SEL, 500SEC, 600SEL	5/91-7/98	CM5443	159	V Class, Vito, 113, 114, 108D, 110D		CM5671	162
S Class, W140, S320, S600	6/93-8/98	CM5522	159	Vito		CM1010	162
S Class, W140, 300SE, 300SEL, S280	6/91-1/99	CM5554	159	Vito CDI		CM5518	162
S Class, W140	6/93>	CM5518	159	W114, W115, W123		CM1924	163
S Class, W126, 380, 420, 500, 560	8/80-5/93	CM5582	160	W116		CM8003	163
S Class, W126	9/85>	CM5519	159	W116		CM8007	163
SKN 300 Truck		CM5546	160	W123		CM8004	163
SL Class, R230, SL350, SL500	11/05-1/08	CM5836	160	W123, W201	10/72-2/94	CM1115	163
				W201, 190	1/86-5/93	CM5542	162
				W201, 190	10/83>	CM5519	162
				Rover MG			
				MG ZT190, 2.0, 2.5Lt	00-04	CM1218	163

Make & Model	Year	Part No.	Page No.	Make & Model	Year	Part No.	Page No.
Mini				Magna TJ, TL	7/00>	CM1517	167
Cooper, 1.6Lt	00>	CM5308	163	Magna TH, V6	8/99-9/00	CM1504	167
Mini One	11/01>	CM5555	163	Magna TH, V6	3/99-9/00	CM1505	167
Mitsubishi				Magna TH, V6	3/99-8/99	CM1503	167
380, 3.8Lt V6	9/05-4/08	CM1855	163	Magna TF, 4 cyl	4/97-1/99	CM1502	167
Agricultural		CM8325	164	Magna TF, V6	4/97-3/99	CM1503	167
ASX GA, 2.0Lt Petrol	10>	CM1527	164	Magna TE, TF, 4 cyl	2/96-1/99	CM1500	167
Canter	04>	CM1515	164	Magna TE, TF, V6	2/96-1/99	CM1501	167
Canter	04>	CM1508	164	Magna TS, 2.6Lt, 4 cyl	3/94-3/96	CM1652	168
Canter		CM0535	164	Magna TS, V6	3/94-3/96	CM1647	167
Canter FC-FG	79-95	CM7863	164	Magna TR, 4 cyl	4/91-3/93	CM1717	168
Canter FE-FM		CM7888	164	Minicab	11>	CM5019	167
Challenger, 3.0Lt V6	00>	CM1514	164	Mirage CE, 1.5Lt	5/96-12/98	CM4706	168
Colt	6/04>	CM5484	164	Nimbus	01>	CM1883	168
Colt, RG, Z23A, Z25A, 1.5Lt	04>	CM5020	164	Nimbus, UG	99>	CM1867	168
Colt, Z27A, 1.5Lt		CM5021	165	Nimbus UA-UC, 4D55-T, 2.4Lt	80-92	CM7863	168
Delica		CM0130	165	Outlander ZH, V6 Petrol	9/09>	CM1527	168
Delica, 2.4Lt		CM4744	165	Outlander ZG	10/06>	CM5754	168
Express L400	96>	CM8380	165	Outlander ZE, ZF	12/02-9/06	CM5753	168
FK-FM Truck		CM7888	165	Outlander	04>	CM5682	168
Fuso Fighter		CM5018	165	Pajero iO		CM8381	169
Fuso	11>	CM5019	165	Pajero NP Exceed, 3.2Lt Diesel	10/02>	CM1777	169
Fuso, FP5, FV5, FU5, FS5		CM1522	165	Pajero NM, 2.8, 3.2Lt Diesel	10/02>	CM1777	169
Grandis, 2.4Lt 4 cyl	5/04>	CM1865	165	Pajero NM, NP 3.5Lt V6 Petrol	5/00-11/06	CM1779	169
L300 SA-SH, Petrol	80-6/96	CM7863	166	Pajero NM, NP, 2.8, 3.2Lt Diesel	2/00-10/06	CM1776	169
L300 SJ		CM7864	165	Pajero NM, 3.5Lt V6 Petrol	2/00-6/01	CM1780	169
Lancer CJ	9/07>	CM1527	166	Pajero NM, NP, 3.5Lt V6 Petrol	2/00>	CM1778	169
Lancer CJ	10/06>	CM5754	166	Pajero NL, 3.5Lt V 6 Petrol	97>	CM1884	169
Lancer CG	6/02>	CM1517	166	Pajero NJ, NK, 3.0, 3.5Lt V6	8/93-6/97	CM1701	169
Lancer CG, CH	6/02>	CM1509	166	Pajero NJ, NK, NL, 2.8Lt Diesel	8/93>	CM1700	169
Lancer CE	1/99>	CM5066	166	Pajero NH, Petrol	2/91-8/93	CM3203	169
Lancer CE Coupe & Sedan, 1.5Lt	5/96-12/98	CM4706	166	Pajero NH, 2.5Lt Diesel	6/88-8/93	CM3001	170
Lancer CE Coupe & Sedan, 1.8Lt	5/96-12/98	CM5065	166	Pajero NA/NB, 4D55-T, 2.4Lt	81-83	CM7863	170
Lancer CE Wagon, 1.8Lt	8/93-10/95	CM3015	166	Rosa Bus		CM1868	170
Lancer CC, 1.8Lt	6/92-5/96	CM3015	166	Scorpion GE, GL, 4G52/54	80-92	CM7863	170
Lancer CC GSR, 4WD, 1.8Lt Turbo	8/93-10/95	CM3015	166	Sigma GE-GN, 4G52/54	80-92	CM7863	170
Lancer CA, CB, CC, 1.6Lt	9/89-12/95	CM3020	167	Starwagon WA	6/94>	CM4744	170
Lancer CC Sedan, 1.5Lt Carby	6/88-6/92	CM3001	166				
Lancer CA, CB, 1.5Lt SOHC	6/88-6/92	CM3001	166				

Make & Model	Year	Part No.	Page No.	Make & Model	Year	Part No.	Page No.
Triton ML, 2.5Lt Diesel	08>	CM5756	170	Navara D22, KA24 2.4Lt Petrol, QD32 3.2Lt Diesel	2/97-12/02	CM8319	174
Triton ML, 3.2Lt Diesel	08>	CM5755	170	Navara D22	97>	CM5854	174
Triton ML, 2.4Lt 4 cyl	06>	CM5758	170	Navara D22		CM8360	174
Triton ML, 3.5Lt V6	06>	CM5757	170	Navara D21, VG30	10/95-1/97	CM8311	174
Triton, V6, Diesel	03>	CM5752	171	Navara D21, TD27 2.7Lt Diesel, KA24 2.4Lt Petrol	7/94-1/97	CM8312	174
Triton, 4 cyl	03>	CM5751	170	NX Coupe B13		CM8300	174
Triton MK, 2.4Lt Petrol	6/96>	CM4710	171	Pathfinder R51, Turbo Diesel	05>	CM8370	174
Triton MK, 3.0Lt V6, 2.8Lt Diesel	6/96>	CM4705	171	Pathfinder R50, VG33, 3.3Lt V6	96-1/99	CM8335	174
Triton ME-MF	3/86-6/96	CM7863	171	Pathfinder WD21	9/94>	CM8311	175
Triton, V6		CM3206	171	Patrol GU, Y61 ZD30	08>	CM8366	175
Verada KJ, KL	7/00>	CM1517	171	Patrol Y61, TB48E, 4.8Lt Petrol	11/02>	CM8328	175
Verada KH, V6	3/99-9/00	CM1504	171	Patrol Y61, ZD30, 3.0Lt Turbo Diesel	2/00-11/02	CM8308	175
Verada KF, KH, V6	4/97-1/99	CM1503	171	Patrol Y61, RD28T, TB45, TD42	10/97-11/02	CM8310	175
Verada KE, KF, V6	2/96-1/99	CM1501	171	Patrol Y61 GU, RD28, 2.8Lt	10/97-2/00	CM8309	175
Verada KS, V6	3/94-3/96	CM1647	171	Patrol Y61, TD42 4.2Lt		CM8360	175
Navistar				Patrol Y60 GQ, TD42, TB42E, RB30S	10/94>	CM8307	175
Navistar Truck		CM8077	172	Patrol Y60 GQ, RD28T, 2.8Lt Turbo Diesel	10/94>	CM8306	175
New Holland				Pintara R31		CM8305	175
New Holland		CM4768	172	Pintara U12, CA20		CM8338	176
New Holland		CM7865	172	Pintara U12, KA24		CM8337	176
New Holland		CM8617	172	Pulsar N16, 1.6, 1.8Lt	7/00-1/06	CM8304	176
New Holland Tractor		CM8148	172	Pulsar N15, SR20, 2.0Lt	6/96-8/00	CM5600	176
New Holland Tractor		CM4609	172	Pulsar N15, 2.0Lt	6/96-8/00	CM8303	176
Nissan				Pulsar N15, 1.6Lt	98>	CM8349	176
180B, L18	72-76	CM7863	172	Pulsar N15, GA16, 1.6Lt	6/96-10/99	CM5595	176
200B, L20B	77-81	CM7863	172	Pulsar N14, SR20, 2.0Lt	91-93	CM8300	176
Bluebird 910	80-92	CM7863	172	Pulsar N14, GA16, 1.6Lt	91-93	CM8301	176
Bluebird U13	93-97	CM8344	172	Pulsar N13	88-91	CM1800	176
Dualis, 2.0Lt Petrol	12/07>	CM4374	173	Pulsar N12	80-92	CM7863	177
EXA	80-92	CM7863	172	Skyline R34		CM8347	177
Gazelle S12	6/86>	CM7863	173	Skyline R31		CM8305	177
Gazelle S12	7/86>	CM8305	173	Skyline R30, L24E	80-92	CM7863	177
Maxima J31	06>	CM5017	173	Stanza A10, CA16	78-83	CM7863	177
Maxima J31, VQ35, 3.5Lt V6	03-05	CM5016	173	Terrano, 2.7Lt, 2.4Lt	98-00	CM3012	177
Maxima A33, VQ30, 3.0Lt V6	10/99-8/00	CM8333	173	Terrano R20	11/96-10/99	CM5601	177
Maxima A32, V6	11/95-6/99	CM5012	173	Tiida C11, 1.8Lt	2/06-2/10	CM4176	177
Micra K12	12/07>	CM5607	173	UD Truck, CW445	05>	CM8386	177
Micra K11	95-98	CM5602	173				
Navara D22, 2.5Lt Diesel	2/08>	CM8439	174				
Navara D40, 2.5Lt Diesel	05>	CM8400	173				
Navara D22, 3.0, 3.3Lt V6	4/00>	CM8318	174				

Make & Model	Year	Part No.	Page No.	Make & Model	Year	Part No.	Page No.
UD Truck		CM8339	177	607		CM1318	180
UD Truck		CM8345	177	607	99>	CM1352	181
UD Truck		CM8323	177	807	99>	CM1352	181
X-Trail T31, 2.0Lt Petrol	1/11>	CM5892	178	Porsche			
X-Trail T31, 2.5Lt Petrol	10/07>	CM5865	178	911 (996), GT2, GT3, 3.6Lt	9/97>	CM5690	181
X-Trail T31, 2.5Lt Petrol	10/07>	CM5860	178	911 (964), 3.3Lt Turbo, 3.6Lt Carrera	8/89-7/93	CM5685	181
X-Trail T31, 2.0Lt Diesel	10/07>	CM5868	178	911 (964), 3.3Lt Turbo, 3.6Lt Turbo Carrera	8/92-5/94	CM5688	181
X-Trail T30, 2.5Lt	02>	CM5855	178	928 GTS, 5.4Lt	7/92-7/95	CM5676	181
Peterbilt				928S, 5.0Lt	8/88-10/93	CM5676	181
Peterbilt Truck		CM8079	178	944, 2.5, 2.7, 3.0Lt	1/85-7/92	CM5684	181
Peterbilt Truck		CM8041	178	Boxster (986) 2.5, 2.7, 3.2Lt	6/96>	CM5690	181
Peterbilt Truck		CM8424	178	Cayenne (955), 4.5Lt V8 Turbo	8/02>	CM5692	181
Peugeot				Proton			
205 SI	90>	CM7870	178	Persona, 1.5Lt		CM1626	181
206, 2.0Lt	04>	CM1438	179	Persona, 1.6Lt	99>	CM1627	182
206, 1.8Lt	00-04	CM1432	179	Satria, 1.5Lt		CM1626	181
206 GTI, 2.0Lt		CM1211	179	Wira, 1.5Lt A/T		CM1626	181
206		CM1412	179	Wira, 1.6Lt	99>	CM1627	182
207	05>	CM1356	179	Range Rover			
207	12/01>	CM1350	179	Range Rover, 4.0Lt	5/94-1/02	CM5576	182
306		CM1011	179	Range Rover, 4.0Lt	10/89-9/95	CM5577	182
306	97>	CM1227	179	Range Rover	95-98	CM3204	182
307	05>	CM1356	179	Renault			
307, 1.6, 2.0Lt HDi 90, 110, 135		CM1324	180	1.6, 1.9Lt		CM1150	182
307	12/01>	CM1350	179	Agricultural	1/95>	CM5637	182
307	3/01-6/05	CM1353	179	Agricultural, Temis, 550, 610, 630, 650	1/00>	CM5647	182
307, 2.0Lt		CM1320	179	Clio 1.4, 1.6Lt	1/02-7/06	CM1416	182
307, 2.0Lt		CM1438	180	Clio, 2.0Lt V6		CM1417	182
307	99>	CM1352	180	Kangoo	8/04-11/10	CM1416	182
308	2/08>	CM1350	179	Kangoo, 2.0Lt V6		CM1417	182
308	9/07>	CM1353	179	Laguna	95-96	CM7971	183
308	05>	CM1356	179	Master, 2.5Lt Diesel	07>	CM9038	183
308, 1.6Lt Turbo	4/07>	CM5612	180	Master	06>	CM9030	183
308, 1.6Lt	4/07>	CM5611	180	Master 1.9, 2.2, 2.5Lt	9/00-9/03	CM9035	183
405, Petrol & Diesel	93>	CM7854	180	Megane II, 1.9Lt Turbo Diesel	7/07>	CM9028	183
406 ST Sedan		CM1211	180	Megane II, 1.4, 1.6Lt	7/06>	CM9026	183
406 SV Coupe		CM1209	180	Megane, 2.0Lt	12/03>	CM9038	183
407	99>	CM1352	180	Megane, 1.6Lt	5/01-10/04	CM1416	183
407		CM1318	180	Megane 1.8, 1.9, 2.0Lt	3/96-02	CM9035	183
605, 3.0Lt V6	9/93-12/98	CM1116	180				
607, 3.0Lt	00-04	CM1322	181				
607, 2.5Lt V6		CM1209	180				

Make & Model	Year	Part No.	Page No.
Scenic II, 1.4, 1.6Lt	1/07>	CM9026	183
Scenic II, 1.9Lt Turbo Diesel	7/07>	CM9028	183
Scenic II, 1.9Lt	6/03>	CM9035	183
Scenic I, 1.8, 1.9, 2.0Lt	3/97-03	CM9035	183
Trafic, 1.9Lt	3/01>	CM9035	183
Rolls Royce			
Rolls Royce		CM2104	184
Rolls Royce		CM2103	184
Rolls Royce		CM8004	184
Rolls Royce Silver Spirit	97>	CM8109	183
Rolls Royce, V8	93>	CM8109	183
Rover			
75, 1.8Lt	2/99>	CM5591	184
75, 2.0Lt DT	4/99-4/05	CM5581	184
Saab			
9000	94-98	CM8052	184
9-3	98-03	CM3211	184
9-5, 2.0Lt Turbo, 2.3Lt	04-09	CM8635	184
9-5, B205E, 2.0Lt	10/98>	CM5532	184
Scania			
Scania		CM7888	185
Scania		CM8290	185
Scania P4 Truck, 12.0Lt		CM8067	185
Seat			
Cordoba	99>	CM1221	185
Cordoba, 1.6, 1.8Lt	1/95-10/99	CM7158	185
Cordoba, 1.6, 1.8Lt	94-99	CM1162	185
Ibiza	99-01	CM1221	185
Ibiza, 1.6, 1.8Lt	94-99	CM1162	185
Toledo	99>	CM1221	185
Toledo, 2.0Lt	95-97	CM1162	185
Skoda			
Octavia	04>	CM7159	185
Octavia, 1.4, 1.6, 2.0Lt	9/01>	CM5587	185
Superb, 1.9Lt Tdi	12/01-10/05	CM5501	185
Superb, 2.5Lt Tdi	12/01-8/03	CM5572	186
Superb, 2.8Lt	12/01>	CM5500	186
Smart			
Forfour	11/04>	CM5484	186
Ssangyong			
Musso		CM1010	186

Make & Model	Year	Part No.	Page No.
Sterling			
Sterling Truck		CM8482	186
Sterling Truck		CM7469	186
Subaru			
Forester Y10		CM8330	187
Forester	07>	CM8369	186
Forester		CM8357	187
Forester	8/96-7/98	CM8317	186
Impreza	07>	CM8367	187
Impreza	05>	CM3516	187
Impreza		CM8357	187
Impreza	8/96-7/98	CM8317	187
Impreza	8/99>	CM8316	187
Impreza	93-96	CM8315	187
Liberty, B4	06>	CM5366	187
Liberty	06>	CM5387	187
Liberty	05>	CM5394	188
Liberty	04>	CM5368	188
Liberty		CM9330	188
Outback	05>	CM5394	188
WRX	96-98	CM8317	187
WRX	96>	CM8316	187
WRX	93-96	CM8315	187
Suzuki			
Baleno	00>	CM1694	188
Baleno, 1.6Lt	4/95>	CM1657	188
Grand Vitara	08>	CM1945	188
Grand Vitara, V6		CM9073	188
Ignis	10/00-2/05	CM2552	188
Liana		CM1694	188
Sierra SJ413, 1.3Lt	2/96>	CM1646	188
Sierra SJ413, 1.3Lt	2/94-1/96	CM1656	189
Swift EZ	05>	CM5418	189
Swift SF410, SF413, 1.0, 1.3Lt	6/94>	CM1658	189
Swift SF413, SF416, GTI, 1.3, 1.6Lt	6/94>	CM1657	189
Swift	11/88-93	CM1718	189
SX4, 2.0Lt	07>	CM5419	189
Vitara, V6	10/05>	CM9074	189
Vitara, V6	00>	CM1853	189
Vitara TA01, TA02	5/95>	CM1646	189
Vitara TD01	5/95>	CM1650	189
Vitara	8/89-4/95	CM1719	190

Make & Model	Year	Part No.	Page No.	Make & Model	Year	Part No.	Page No.
Toyota				Coaster, ST190, ST191, ST195, 3S-FE, 4S-FE		CM5424	193
4 Runner LN130	8/93-5/96	CM1635	190	Commuter Bus, 2.2Lt	86-89	CM1741	194
4 Runner LN130	11/89-7/91	CM1712	190	Commuter Bus	8/93-00	CM1630	194
4 Runner RN130	8/93-5/96	CM1637	190	Commuter Bus	8/93-7/98	CM1631	193
4 Runner RN130	11/89-8/91	CM1713	190	Corolla ZRE152	07>	CM1684	194
4 Runner VZN130, 3VZ-E, 3.0Lt V6	8/93-5/96	CM1636	190	Corolla ZZE122R	01>	CM1680	194
4 Runner VZN130, 3.0Lt V6	91-93	CM1703	190	Corolla AE101, AE102, AE112R, 7A-FE	2/94-10/01	CM1607	194
Aurion GSV40R, 3.5Lt V6, A/T	10/06>	CM8842	190	Corolla AE92, AE94, AE95, AE96	8/93-5/94	CM1644	194
Avalon MCX10	5/00>	CM1679	190	Corolla AE93	6/89-8/93	CM1709	194
Avensis Verso ACM20, 2.0Lt	5/01-10/03	CM1782	191	Corolla AE90, AE92	6/89-9/93	CM1708	194
Avensis Verso ACM21R, 2.4Lt	03>	CM5580	191	Corolla AE80, AE82	11/86-12/88	CM1706	195
Camry ASV50R, 2.5Lt	12/11>	CM8850	191	Corolla AE82	9/86-12/88	CM1695	194
Camry Hybrid AHV40R, 2.4Lt 4 cyl	2/10>	CM8845	191	Corolla AE82, Twin cam	9/86>	CM1707	194
Camry ACV40R, 2.4Lt 4 cyl, M/T	7/06-1/12	CM8841	191	Cressida MX83	8/88-9/93	CM1711	195
Camry ACV40R, 2.4Lt 4 cyl, A/T	7/06-1/12	CM8840	191	Cressida MX73	10/85-8/88	CM1710	195
Camry ACV36, 4 cyl	9/02-6/06	CM1762	191	Dyna 4500 XZU Series, 4.6Lt 4 cyl	3/01-4/03	CM1796	195
Camry MCV36, V6	9/02-6/06	CM1763	191	Dyna	00>	CM5406	195
Camry MCV20R, V6	97>	CM1679	191	Dyna BU110, BU142	95>	CM1665	195
Camry SXV20R, 4 cyl	8/97>	CM1676	191	Dyna BU60, BU65, BU66	9/93-4/95	CM1641	195
Camry Wide Body, SDV10, SXV10, 4 cyl	93-97	CM1618	192	Dyna BU88	9/93-4/95	CM1642	195
Camry Wide Body, VDV10, VCV10, V6	93-97	CM1674	192	Dyna BU91		CM1746	195
Camry VZV21, V6		CM1696	192	Dyna LY61	9/93-4/95	CM1643	196
Camry SV20, SV21, SV22, 3S-FE 4 cyl	1/87-11/92	CM1702	192	Dyna YH81	9/93-9/94	CM1600	195
Celica ZTZ231R, 1ZZ-FE	8/99>	CM1692	192	Dyna	1/91-8/93	CM5401	196
Celica ST205, 3S-GTE	11/93-8/95	CM1639	192	Echo NCP12R	8/02-10/05	CM1764	196
Celica ST204, 5S-FE	11/93-99	CM1638	192	Echo NCP12R	8/99-8/02	CM1742	196
Celica ST204	11/93-8/95	CM1739	192	Echo NCP10R	8/98-8/99	CM1693	196
Celica ST184	12/89-11/93	CM1755	192	FJ Cruiser GSJ15R, 4.0Lt V6	3/11>	CM5420	196
Celica ST162	10/85-11/89	CM1705	192	Hiace KDH	05>	CM1864	196
Coaster Bus		CM5425	193	Hiace TRH201R, TRH221R, TRH223R	05>	CM1862	196
Coaster Bus		CM5426	193	Hiace	05>	CM1866	196
Coaster Bus		CM5427	193	Hiace LH103, LH113, 3.0Lt	8/93>	CM1632	197
Coaster Bus		CM5430	193	Hiace LH103, LH113	8/93>	CM1629	197
Coaster Bus		CM5432	193	Hiace LH125	8/93-00	CM1630	197
Coaster Bus		CM5435	193	Hiace RCH12R SBV	9/95>	CM1666	197
Coaster Bus		CM5436	193	Hiace RZH103, RZH113R		CM1737	197
Coaster, Diesel, HZB50		CM5434	193	Hiace RZH103, RZH113R	8/98>	CM1690	197

Make & Model	Year	Part No.	Page No.	Make & Model	Year	Part No.	Page No.
Hiace RZH125R, Commuter Bus	8/98>	CM1790	196	Landcruiser 100 Series, UZJ100R, 4.7Lt V8	3/98-10/07	CM1765	200
Hiace RZH125	8/93-7/98	CM1631	197	Landcruiser 80 Series, HDJ80, HZJ80	1/95-12/97	CM1662	200
Hiace YH73, 2.2Lt	86-89	CM1741	197	Landcruiser 80 Series, HDJ80, HZJ80	5/93-12/94	CM1622	200
Hilux		CM1866	196	Landcruiser 80 Series, HDJ80, HZJ80	1/90-4/93	CM1732	200
Hilux GGN15R, GGN25R, 4.0Lt V6	3/05>	CM1788	197	Landcruiser 70 Series, HDJ78, HDJ79	8/01>	CM1751	200
Hilux GGN15R, GGN25R, 4.0Lt V6	3/05>	CM1580	198	Landcruiser 70 Series, HDJ78, HDJ79	8/01>	CM1744	200
Hilux KUN16R, KUN26R, 3.0Lt Diesel	3/05>	CM1789	198	Landcruiser 80 Series, FZJ80, 3F Engine	93>	CM5402	200
Hilux TGN16R, 2.7Lt 4 cyl	3/05>	CM1787	197	Landcruiser 80 Series, FZJ80, FZJ105	5/93>	CM1625	200
Hilux KZN165	00>	CM1661	198	Landcruiser 70 Series, LC70, VDJ76, VDJ78, VDJ79, 4.5Lt Turbo Diesel V8	07>	CM1686	201
Hilux LN105, LN106	12/93-7/97	CM1655	198	Landcruiser 70 Series, BJ70		CM1740	201
Hilux LN105, LN106	12/93-7/97	CM1655J	198	Landcruiser 70 Series, FJ70, FJ73, FJ75	3/90-9/92	CM1730	201
Hilux LN147, LN152, LN167, LN172	8/97>	CM4620	198	Landcruiser 70 Series, FJ70, FJ73, FJ75	10/86-90	CM1729	201
Hilux LN85, LN106, LN111	8/90-7/91	CM1697	199	Landcruiser 70 Series, FZJ75, FZJ78, FZJ79	5/93>	CM1621	201
Hilux RN	8/88-7/91	CM1698	199	Landcruiser 70 Series, HJ75	10/86-90	CM1727	202
Hilux RN85, RN90, RN105, RN106	12/93-7/97	CM1654	198	Landcruiser 70 Series, HZJ70, HZJ73, HJ75	1/90-4/93	CM1732	201
Hilux RZN147, RZN149, RZN154, RZN169, RZN174	8/97>	CM4619	198	Landcruiser 70 Series, HZJ75, HZJ78, HZJ79	5/93-12/94	CM1622	201
Hilux VZN167R, 5VZ-FE, 3.4Lt V6	11/02-3/05	CM1761	198	Landcruiser 70 Series, HZJ78, HZJ79 4.2Lt	10/99-2/07	CM5408	201
Hilux YN55, YN57, YN67	9/86	CM1869	199	Landcruiser 70 Series, LJ70	86-90	CM1733	201
Hilux YN85	12/93-7/97	CM1654	198	Landcruiser 70 Series, PZJ70, PZJ73	1/90-4/93	CM1732	201
Hilux YN85	8/94-7/97	CM1663	198	Landcruiser 200 Series, GRJ200, 4.7Lt V8	11/07>	CM1874	199
Kluger GSU40R, GSU45R	8/07>	CM5848	199	Landcruiser 200 Series, UZJ200, 5.7Lt V8	11/07>	CM1872	199
Kluger GSU40R, GSU45R	8/07>	CM5845	199	Landcruiser 200 Series, VDJ200, 4.5Lt V8	11/07>	CM1875	199
Kluger MCU28, 3.3Lt V6	8/03>	CM1781	199	Landcruiser 100 Series, HDJ100, HDJ105 V8 Turbo Sahara	10/02>	CM1870	199
Landcruiser 200 Series, GRJ200, 4.7Lt V8	11/07>	CM1874	199	Landcruiser 100 Series, HDJ100	8/00>	CM1744	200
Landcruiser 200 Series, UZJ200, 5.7Lt V8	11/07>	CM1872	199	Landcruiser 100 Series, HDJ100	8/00>	CM1751	200
Landcruiser 200 Series, VDJ200, 4.5Lt V8	11/07>	CM1875	199	Landcruiser 100 Series, HZJ105 Non Turbo	98>	CM1688	200
Landcruiser 100 Series, HDJ100, HDJ105 V8 Turbo Sahara	10/02>	CM1870	199	Landcruiser 100 Series, HZJ105, Non Turbo	98>	CM1751	200
Landcruiser 100 Series, HDJ100	8/00>	CM1744	200	Landcruiser 60 Series, FJ60	80-84	CM1854	201
Landcruiser 100 Series, HDJ100	8/00>	CM1751	200	Landcruiser 60 Series, FJ62	1/85-9/87	CM1729	201
Landcruiser 100 Series, HZJ105 Non Turbo	98>	CM1688	200	Landcruiser 60 Series, HJ60		CM1734	202
Landcruiser 100 Series, HZJ105, Non Turbo	98>	CM1751	200	Landcruiser 60 Series, HJ60, HJ61	1/86>	CM1727	202
				Liteace CM20	85>	CM1724	202
				Liteace CM35	85-89	CM1723	202
				MR2 SW20, 2.0Lt 4 cyl	9/93-8/00	CM1649	202
				MR2 ZZW30, 1.8Lt	8/00>	CM1743	202
				Paseo EL44	8/92-7/93	CM1715	203
				Paseo EL44	4/91-7/92	CM1714	203
				Paseo EL44, M/T	8/93-8/95	CM1602	202

Make & Model	Year	Part No.	Page No.	Make & Model	Year	Part No.	Page No.
Paseo EL44, A/T	8/93-8/95	CM1603	202	Tarago YR20, YR21, YR31	89>	CM1725	206
Paseo EL54	8/96>	CM1617	202	Tarago CR21	83-86	CM1723	206
Paseo EL54	95-96	CM1608	202	Tarago CR21	84>	CM1724	206
Prado GRJ150R, V6 4.0Lt	09>	CM1876	203	Townace KR42	10/96>	CM1678	207
Prado KDJ150R, Turbo Diesel	09>	CM1877	203	Townace YR39	8/93-10/96	CM1645	207
Prado KDJ150R, Turbo Diesel	09>	CM1878	203	Yaris NCP130R, NCP131R, 1.3, 1.5Lt	11/11>	CM5823	207
Prado GRJ120R, 1GR-FE, 4.0Lt V6	9/02>	CM1767	203	Yaris NCP90R, NCP91R, NCP93R, 1.3, 1.5Lt	05>	CM1794	207
Prado KDJ120R, 3.0Lt Turbo Diesel	10/06>	CM1699	203	Volkswagen			
Prado LJ120, 5L-E Diesel	06>	CM1882	203	Beetle, 1.8Lt Turbo	11/99>	CM1233	207
Prado KZJ120R, 1KZ-FE	9/02>	CM1769	203	Beetle, 2.0Lt	1/00-1/02	CM1221	207
Prado RZJ120R, 3RZ-FE	9/02>	CM1768	203	Beetle	99-01	CM1221	207
Prado KZJ95R, 3.0Lt Turbo Diesel	10/99-2/03	CM1671	204	Bora, 1.6, 1.8Lt	9/98>	CM1233	207
Prado RZJ95R	5/96-5/02	CM1670	204	Bora	99-01	CM1221	207
Prado VZJ95R, 3.4Lt V6	7/96-2/03	CM1672	204	Caddy		CM1162	208
Prius NHW20R	11/03>	CM5620	204	Caddy Turbo Diesel	2/05>	CM8681	207
Prius ZVW30R	7/09>	CM5622	204	Caddy	2/04>	CM5587	207
Rav4 ACA20R, ACA21R	5/00>	CM1738	204	Caravelle		CM1145	208
Rav4 ACA33R, 2A2-FE	2/06>	CM1795	204	Caravelle		CM1167	208
Rav4 GSA33R, 3.5Lt V6	10/07>	CM5832	204	Caravelle		CM1279	208
Rav4 SXA10R	8/96-8/97	CM1682	205	Crafter	06>	CM5492	208
Rav4 SXA10R, SXA11R	3/94-7/96	CM1653	205	Golf		CM1162	209
Rav4 SXA10R, SXA11R	9/97-4/00	CM1687	204	Golf III, V6	92-98	CM1138	208
Rav4, 2.4Lt	03>	CM1772	204	Golf IV, 1.6, 1.8Lt	10/98-3/02	CM1221	208
Rukus, AZE15R	5/10>	CM1890	205	Golf IV, V	9/01>	CM5587	208
Soarer		CM1774	205	Golf V		CM7159	208
Soarer		CM1775	205	Golf V	04>	CM8681	208
Spacia SR40	8/93-6/97	CM1645	205	Golf V	98-01	CM1221	208
Sprinter AE102	2/94-7/99	CM1607	205	Jetta	1/05>	CM5587	208
Starlet EP91R	10/97-7/99	CM1615	205	Jetta, 2.0Lt Petrol	07-08	CM8681	208
Starlet EP91R	10/97-7/99	CM1616	205	Passat		CM1162	209
Supra MA70	4/86-7/88	CM1716	205	Passat		CM7159	209
Tarago ACR30R	2/00-3/06	CM1747	206	Passat		CM5508	209
Tarago ACR50R	06>	CM1795	206	Passat W8, 4.0Lt	5/03-7/04	CM5825	209
Tarago ACR50R, 2.4Lt	3/06>	CM1880	206	Polo		CM1162	210
Tarago GSR50R, 3.5Lt	2/07>	CM1880	206	Polo		CM7158	210
Tarago GSR50R, V6	2/07>	CM5822	206	Polo	00>	CM1221	210
Tarago TCR10, TCR11, 2TZ-FE	8/93-5/00	CM1623	206	Polo	04	CM1454	209
Tarago TCR10, TCR11	90-94	CM1704	206	Polo, 1.2, 1.4, 1.9Lt	11/01>	CM5617	209
Tarago YR20, YR21	1/83-10/88	CM1726	206	Polo, 1.2, 1.4Lt	11/01>	CM5616	209
				Polo, 1.2, 1.4Lt	11/01>	CM5618	209
				Polo, 1.4, 1.9Lt	11/01>	CM5615	209

Make & Model	Year	Part No.	Page No.	Make & Model	Year	Part No.	Page No.
Tiguan, 1.4, 2.0Lt	11/07>	CM5587	210	Truck		CM8890	213
Tiguan, 2.0Lt	11/07>	CM5670	210	Truck, 7Lt, 12Lt		CM8493	213
Touareg, 2.5, 5.0Lt, TDi	11/02>	CM5592	211	Truck (Construction)		CM7865	212
Touareg, 3.0Lt TD, TDi	11/04>	CM5690	210	Truck (Construction)	99>	CM8045	213
Touareg, 3.0Lt V6	11/04>	CM5696	210	Truck (Construction), FH12		CM8112	213
Touareg, 3.2Lt	11/02-5/05	CM5825	210	Truck (Construction), L70		CM7860	213
Touareg, 3.6Lt V6	06>	CM5613	210	Truck FH		CM8069	214
Touareg, 4.2Lt V8	03>	CM5614	210	Truck FL10		CM8371	214
Transporter		CM1279	211	Truck FL7, FM7		CM8363	214
Transporter T4, 2.0, 2.4, 2.5Lt		CM1167	211	Truck FM Series		CM8112	213
Transporter T4, 5 cyl	96-02	CM1145	211	Truck, A25C		CM8069	214
Transporter T5, 2.5Lt	5/03>	CM5592	211	Truck, FH12, FH16		CM8053	214
Transporter, 2.0Lt	94>	CM7986	211	V40		CM5540	212
Volvo				V50		CM8377	214
260		CM8003	211	V70	00>	CM5241	214
260		CM8007	211	V70	99>	CM5525	212
740, 760		CM5240	211	V70	98>	CM5853	212
850	97-00	CM5850	211	V70	97-00	CM5850	211
940	94-98	CM8379	212	VH Series		CM6324	214
960	11/91-2/97	CM5960	212	XC70 Cross Country		CM5853	214
C70	97-00	CM5850	211	XC90		CM9733	212
FM12, FH12	05>	CM6324	212	XC90, AWD, V8	1/05>	CM9734	212
S40		CM5540	212	Western Star			
S60, S80	98>	CM5853	212	Western Star		CM8073	214
S60, S80	99>	CM5525	212	Western Star		CM6577J	214
S70	97-00	CM5850	211	Western Star		CM8802	215
SV40		CM5242	212	Western Star	08>	CM8071	215
Truck		CM8897	213	Yanmar			
Truck		CM6312	213	Yanmar Excavator		CM5350	215
Truck		CM8660	213	Yanmar Tractor		CM8324	215
Truck		CM8981	213				
Truck		CM4626	213				

Model: R4	
No. of Cylinders	4
Displacement	164cc
Initial Oil Charge	170cc
Refrigerant	R134a
Oil	PAG
Clutch Voltages	12V
Maximum RPM	7000

Harrison / Delco Model



CM1115
R4

Voltage: 12V
Pulley Type: 1A
Pulley Dia: 128mm
Fittings: GM Pad

Metric Thread
Reconditioned

CM1343
R4
Suits Chevrolet

Voltage: 12V
Pulley Type: 6PV
Pulley Dia: 110mm
Fittings: GM Pad

Reconditioned

CM1344
R4
Suits Chevrolet

Voltage: 12V
Pulley Type: 6PV
Pulley Dia: 126mm
Fittings: GM Pad

CM8004
R4

Voltage: 12V
Pulley Type: 1A
Pulley Dia: 131mm
Fittings: GM Pad

Metric Thread
New

Model: A6	
No. of Cylinders	4
Displacement	164cc
Initial Oil Charge	284cc
Refrigerant	R134a, R12
Oil	PAG
Clutch Voltages	12V / 24V
Maximum RPM	6000



CM2098
A6

Voltage: 12V
Pulley Type: 1A
Pulley Dia: 127mm
Fittings: GM Pad

Metric Thread
Reconditioned

CM8007
A6

Voltage: 12V
Pulley Type: 1A
Pulley Dia: 127mm
Fittings: GM Pad

Imperial Thread
Reconditioned

CM8003
A6

Voltage: 12V
Pulley Type: 1A
Pulley Dia: 134mm
Fittings: GM Pad

New



CM8012
A6

Voltage: 12V
Pulley Type: 1A
Pulley Dia: 142mm
Fittings: GM Pad

New



CM2354
A6

Voltage: 12V
Pulley Type: 1A
Pulley Dia: 178mm
Fittings: GM Pad


New



CM2103
A6
Suits Rolls Royce

Voltage: 12V
Pulley Type: 2A
Pulley Dia: 127mm
Fittings: GM Pad


Reconditioned



CM2104
A6
Suits Rolls Royce

Voltage: 12V
Pulley Type: 2A
Pulley Dia: 130mm
Fittings: GM Pad

Metric Thread
New



CM2346
A6

Voltage: 24V
Pulley Type: 1A
Pulley Dia: 134mm
Fittings: GM Pad

New



CM8000
A6
Suits Caterpillar

Voltage: 24V
Pulley Type: 1A
Pulley Dia: 178mm
Fittings: GM Pad


New



CM2124
A6

Voltage: 24V
Pulley Type: 2A
Pulley Dia: 130mm
Fittings: GM Pad

New



Model: S6	
No. of Cylinders	5
Displacement	165cc
Initial Oil Charge	285cc
Refrigerant	R134a
Oil	PAG
Clutch Voltages	12V / 24V
Maximum RPM	6000

Jayair S6 Model



CM7007
Jayair S6

Voltage: 12V
Pulley Type: 1A
Pulley Dia: 127mm
Fittings: GM Pad

Includes Superheat switch

CM7000
Jayair S6

Voltage: 24V
Pulley Type: 1A
Pulley Dia: 170mm
Fittings: GM Pad

Includes Pressure switch

Model	SP15	SP21
No. of Cylinders	10	10
Displacement	154cc	210cc
Initial Oil Charge	230cc	360cc
Refrigerant	R134a	R134a
Clutch Voltages	12V / 24V	12V
Maximum RPM	9000	9000

Delphi SP Series



CM7401
SP15

Voltage: 12V
Pulley Type: 2A
Pulley Dia: 132mm
Fittings: VOR

CM7421
SP15

Voltage: 24V
Pulley Type: 2A
Pulley Dia: 132mm
Fittings: Pad

CM7433
SP15

Voltage: 24V
Pulley Type: 2A
Pulley Dia: 132mm
Fittings: VOR


CM9021
SP21

Voltage: 12V
Pulley Type: 2A
Pulley Dia: 134mm
Fittings: Pad

CM1798
 BMW 5 Series, E34, 1/88>
 BMW 7 Series, E32, E38, 9/91>

Model: 10PA17C
 Body # 447220-7660

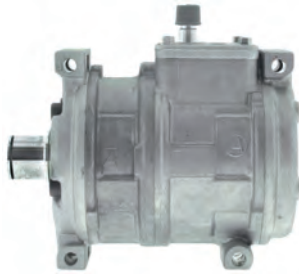
Clutches to suit: CL1461,
 CL1463
 Lugs 70mm long



CM1799
 BMW 3 Series, E36, 9/90-11/99
 BMW 5 Series, E34, 4/89-10/95

Model: 10PA17C
 Body # 447220-7670


Clutch to suit: CL1462
 Lugs 55mm long



CM5348
 Caterpillar, Hitachi, Komatsu, Kubota


Model: 10PA15C
 Body # 447200-0246

Clutches to suit: CL1441,
 CL1432, CL1436



CM1748
 Daihatsu Delta

Model: 10P13C
 Body # 447200-8440



CM1749
 Daihatsu Delta

Model: 10P15C
 Body # 447200-8450



CM7014
 Franna Cranes
 Mercedes Actross, SK90

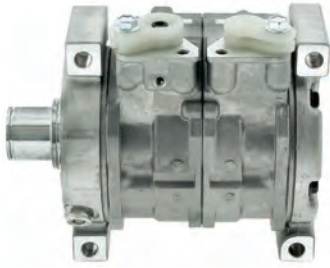
Model: 10PA15C
 Body # 447200-0014



CM1685
 Hino Truck

Model: 10S13C
 Body # 447220-4442

Clutches to suit: CL1476,
 CL0930



CM5027
 Hitachi, John Deere

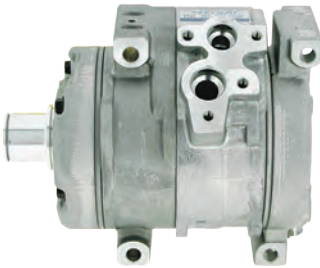
Model: 10PA17C
 Body # 447220-7270

Clutch to suit: CL1437



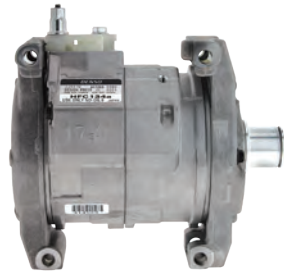
CM1784
 Hitachi, Komatsu

Model: 10S15C
 Body # 447220-4050



CM5422
 Honda Accord

Model: 10S17C
 Body # 447220-4863



CM5028

Honda Odyssey, 3.0Lt V6, 3/00-5/04

Model: 10S20C
Body # 447220-3690



CM1785

Komatsu

Model: 10PA15C
Body # 447200-1740

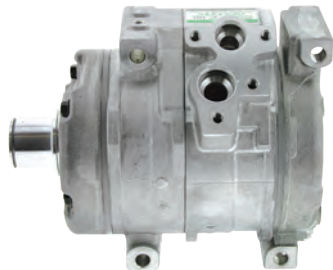


CM5465

Komatsu

Model: 10S15C
Body # 447220-4781

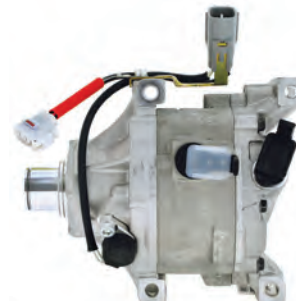
Clutch to suit: CL1470



CM5347

Kubota

Model: SCSA06C
Body # 447220-6450



CM1786

Mercedes W124, E Class, 3/85-6/95

Model: 10PA15C
Body # 447200-2620

Clutch to suit: CL1451

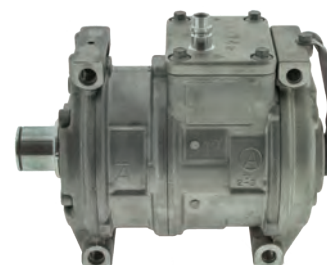


CM1797

Mercedes W124, E Class

Model: 10PA17C
Body # 447220-7650

Clutches to suit: CL1452, CL1454

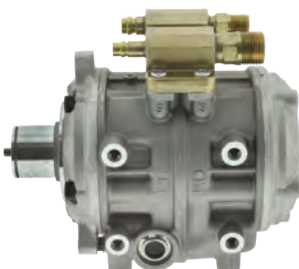


CM5432

Toyota Coaster

Model: 10P30B
Body # 447220-1100

Clutch to suit: CL1600



CM1751

Toyota Landcruiser HDJ78, HDJ79, HZJ105

Model: 10PA15L
Body # 447200-1710

Clutches to suit: CL1413, CL1329



CM1740

Toyota Landcruiser BJ70, 1/85-3/90

Model: 10P15C
Body # 047200-8722

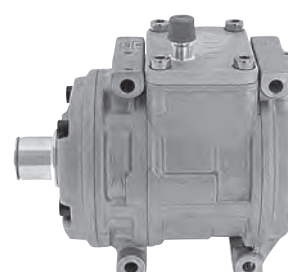
Clutch to suit: CL1303



CM1750

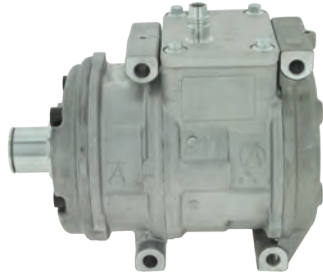
Various Applications

Model: 10PA15C
Body # 447200-2700



CM1752
Various Applications

Model: 10PA17C
Body # 447200-4620



Diesel Kiki	DKS32
No. of Cylinders	5
Displacement	313cc
Initial Oil Charge	500cc
Refrigerant	R134a
Oil	PAG
Clutch Voltages	12V / 24V
Maximum RPM	6000



CM1240
DKS32

Voltage: 24V
Pulley Type: 2B
Pulley Dia: 156mm
Fittings: Pad

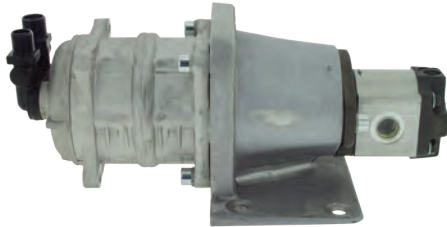


CM1241
DKS32

Voltage: 24V
Pulley Type: 2B
Pulley Dia: 156mm
Fittings: Pad



CM9761
Hydraulic Direct Drive
Tama TM15, 9.3 cu.in.
Use with SP5209 or SP5112



CM9762
Hydraulic Direct Drive
Suits R-9727
Includes mount bracket and hoses
Use with SP5209 or SP5112



SP5208
Hydraulic Drive Coupler
Suits CM9761



SP5209
Hydraulic Control Valve Assy
24V



SP5112
Hydraulic Control Valve 12V
Used to convert SP5209 from 24V to 12V



SP9760
Hydraulic Motor
Suits CM9761



Model	TM13A	TM14A, TM15HS	TM16	TM21
No. of Cylinders	6	6	6	10
Displacement	131cc	147cc	163cc	215cc
Initial Oil Charge	150cc	150cc	150cc	180cc
Refrigerant	R134a	R134a	R134a	R134a
Oil	PAG	PAG	PAG	PAG
Clutch Voltages	12V / 24V	12V / 24V	12V / 24V	12V / 24V
Maximum RPM	6000	6000	6000	6000

CM0122
TM13A

Voltage: 12V
Pulley Type: 6PV
Pulley Dia: 119mm
Fittings: VOR



CM7864
Mitsubishi Starwagon L300, SJ
TM14A

Voltage: 12V
Pulley Type: 4PV
Pulley Dia: 119mm
Fittings: VOR



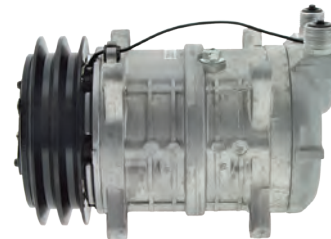
CM0108
TM15HS

Voltage: 12V
Pulley Type: 2A
Pulley Dia: 135mm
Fittings: VOR



CM0104
TM16

Voltage: 12V
Pulley Type: 2A
Pulley Dia: 135mm
Fittings: VOR



CM0114
TM16

Voltage: 12V
Pulley Type: 8PV
Pulley Dia: 119mm
Fittings: GM Pad



CM0107
TM16HD

Fittings: GM Pad



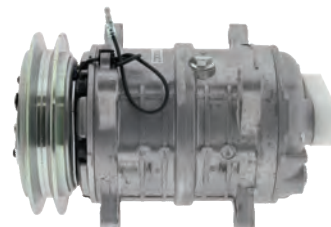
CM0118
TM16HD

Voltage: 12V
Pulley Type: 2A
Pulley Dia: 135mm
Fittings: GM Pad



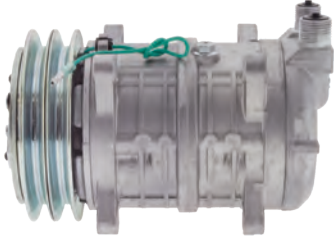
CM0113
TM16HD

Voltage: 24V
Pulley Type: 1B
Pulley Dia: 138mm
Fittings: GM Pad



CM0116
TM16A

Voltage: 24V
Pulley Type: 2A
Pulley Dia: 135mm
Fittings: VOR



CM0117
TM16A

Voltage: 24V
Pulley Type: 2A
Pulley Dia: 135mm
Fittings: GM Pad

Picture unavailable at time of printing
refer www.cooldrive.com.au

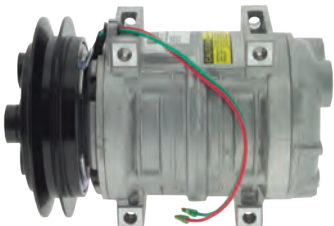
CM8398
TM21

Voltage: 12V
Pulley Type: 8PV
Pulley Dia: 137mm

Picture unavailable at time of printing
refer www.cooldrive.com.au


CM8395
TM21

Voltage: 24V
Pulley Type: 1B
Pulley Dia: 150mm
Fittings: GM Pad



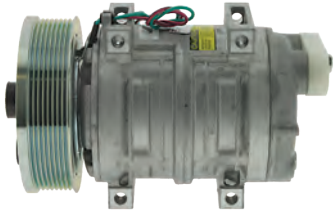
CM8388
TM21HX

Voltage: 24V
Pulley Type: 2A
Pulley Dia: 145mm
Fittings: Pad



CM8396
TM21HX

Voltage: 24V
Pulley Type: 8PV
Pulley Dia: 137mm
Fittings: Pad





Both York (209 and 210 models) and Tecumseh compressors are interchangeable. Tecumseh compressors have a cast iron case, while York compressors have an aluminium case and come in standard and heavy duty configuration.

These compressors are all supplied less the clutch.



Model	209, 210
No. of Cylinders	2
Displacement	10.3 cu.in
Initial Oil Charge	10 oz.
Initial Oil Charge H/D	14 oz.
Oil	Ester
Maximum RPM	6000

CM1237
210 Left Hand Suction Rotolock



CM1924
210 Right Hand Suction Rotolock
Heavy Duty



CM5063
210 Left Hand Suction Tube-O
Heavy Duty



CM5215
210 Right Hand Suction Flange



Fittings

There are three types of fittings on these compressors:

- FLANGE** : A flat pad with two bolts to hold the fitting
- ROTOLOCK** : A threaded fitting 5/8"
- TUBE-O** : A threaded fitting 7/8"

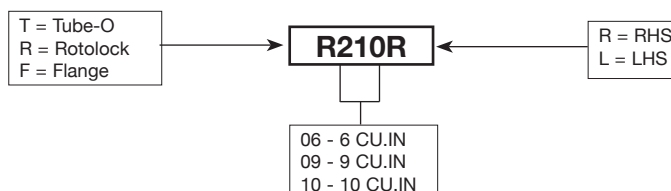
Suction

There are two types of configuration, Right Hand Side (RHS) and Left Hand Side (LHS). This is determined by viewing the compressor from the shaft end to see if the suction ports are on the right or left side.

I.D.

The metal nameplate located at the top front of the compressor serves as a means of identification. Its location permits viewing the nameplate with the clutch installed. Included on the nameplate will be the compressor model number.

Name Plate



Sanden SD5H09 (Replaces SD505)



No. of Cylinders	5
Displacement	90cc
Initial Oil Charge	100cc
Refrigerant	R134a
Oil	SP20 PAG
Clutch Voltages	12V / 24V
Rotation	CW



SD5H09 (replaces SD505)

Part No.	Model	Voltage	Clutch Type	Clutch Dia.	Ports	Head	Notes
CM5072	5072	12	2A	125mm	VOR	FL	
CM5075	5075	12	4PV	125mm	VOR	FL	
CM5073	5073	24	2A	125mm	VOR	FL	

Sanden SD5H14



No. of Cylinders	5
Displacement	138cc
Initial Oil Charge	175cc
Refrigerant	R134a
Oil	SP20 PAG
Clutch Voltages	12V / 24V
Rotation	CW



SD5H14

Part No.	Model	Voltage	Clutch Type	Clutch Dia.	Ports	Head	Notes
CM6263	6263				VOR	FL	Bare compressor
CM6626	6626	12	2A	132mm	VOR	JE	
CM6664	4510 / 6664S	12	2A	132mm	VOR	FL	Replaces OE Model 4510
CM6672	6672S	24	1C	158mm	VOR	FL	
CM6665	4506 / 6665S	24	2A	132mm	VOR	FL	Replaces OE Model 4506
CM6627	6627	24	2A	132mm	VOR	JE	

Sanden SD5L14 (R404a Refrigerant)



No. of Cylinders	5
Displacement	140cc
Initial Oil Charge	175cc
Refrigerant	R134a / R404a
Oil	Artic Ester 68
Clutch Voltages	12V / 24V
Rotation	CW



SD5L14 (404 Refrigerant)

Part No.	Model	Voltage	Clutch Type	Clutch Dia.	Ports	Head	Notes
CMA945	A945	12	2A	132mm	Horiz GM Pad	SW	Steel Armature
CM5354A	5354A	12	2A	132mm	VOR	FL	Steel Armature
CMA946	A946	24	2A	132mm	Horiz GM Pad	SW	Steel Armature
CMA951	A951	24	2A	132mm	VOR	FL	Steel Armature

SD7B10 (replaces SDB705)

No. of Cylinders	7
Displacement	100cc
Initial Oil Charge	100cc
Refrigerant	R134a
Oil	SP10 PAG
Clutch Voltages	12V
Rotation	CW



SD7B10 (replaces SDB705)

Part No.	Model	Voltage	Clutch Type	Clutch Dia.	Ports	Head	Notes
CM7170A	7170A	12	2A	100mm	V/Pad	PB	Right port alternator mount
CMA961	A961	12	2A	115mm	V/Pad	PB	Left port alternator mount
CM7151	7151	12	4PV	100mm	V/Pad	PB	Right port alternator mount
CMA925	A925	12	6PV	112mm	V/Pad	LB	Left port alternator mount
CMA939	A939	12	6PV	112mm	V/Pad	PB	Right port alternator mount

SD7H13 (replaces SD507)

No. of Cylinders	7
Displacement	129cc
Initial Oil Charge	135cc
Refrigerant	R134a
Oil	SP20 PAG
Clutch Voltages	12V / 24V
Rotation	CW



SD7H13 (replaces SD507)

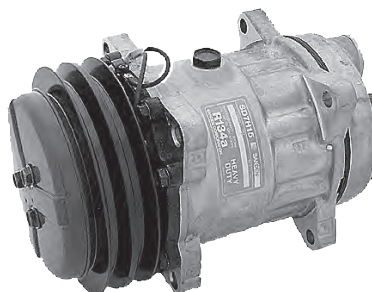
Part No.	Model	Voltage	Clutch Type	Clutch Dia.	Ports	Head	Notes
CMA940	A940	12	2A	125mm	HOR	KG	Steel Armature
CM7312	8908	12	2A	125mm	VOR	JE	
CM7312J	8908	12	2A	125mm	VOR	JE	JAYAIR by SANDEN
CM7317	8909	12	10PV	120mm	VOR	JE	Steel Armature
CMA908	A908	24	2A	125mm	HOR	KG	Steel Armature
CMA904	A904	24	2A	125mm	VOR	JE	Steel Armature



SD7H15 (replaces SD508/SD510/SD709) Ear Mount



No. of Cylinders	7
Displacement	155cc
Initial Oil Charge	135cc
Refrigerant	R134a
Oil	SP20 PAG type B, SP10 PAG type C
Clutch Voltages	12V / 24V
Rotation	CW



SD7H15 (replaces SD508/SD510/SD709) Ear Mount

Part No.	Model	Voltage	Clutch Type	Clutch Dia.	Ports	Head	Notes
CM9592	9592	12	1A	125mm	Horiz TUBE-O	K	SD508, O/Hang clutch
CMA906	A906	12	1B	146mm	Horiz TUBE-O	MD	
CMA998	A998	12	1B	146mm	HOR	KG	
CM7979	8041	12	1B	146mm	VOR	JE	Rubber dampened clutch
CMA901	A901	12	1B	146mm	VOR	CB	
CM7863J	8031	12	2A	132mm	VOR	JE	JAYAIR by SANDEN
CM8860	4860	12	2A	125mm	Horiz GM Pad	GV	
CM7877	8033	12	2A	132mm	Horiz TUBE-O	MD	Rubber dampened clutch
CMA923	A923	12	2A	132mm	Horiz TUBE-O	MD	Steel Armature
CM7862	8030	12	2A	132mm	HOR	KG	Steel Armature
CM8227	8227	12	2A	132mm	HOR	KG	Steel Armature
CMA943	A943	12	2A	132mm	HOR	KG	W/Dust Cover, Type B
CM7863	8031	12	2A	132mm	VOR	JE	Rubber dampened clutch
CM7867	8018	12	2A	132mm	VOR	JDA	W/Dust Cover, Type B
CM7929	7929	12	2M	134mm	Vert Rotolock	CB	
CMA942	A942	12	6PV	119mm	VOR	JE	W/Dust Cover
CM8027A	8027A	12	8PV	119mm	HOR	KG	Steel Armature, Type B
CM8048	8048	12	8PV	132mm	Vert TUBE-O	CB	
CM8637	4637	12	8PV	133mm	HOR	KC	
CMA924	A924	12	10PV	125mm	HOR	KG	Rubber dampened clutch
CM7931	8035	12	10PV	125mm	VOR	JE	Rubber dampened clutch
CM7931J	8035	12	10PV	125mm	VOR	JE	JAYAIR by SANDEN
CMA905	A905	24	1B	146mm	Horiz TUBE-O	KG	Steel Armature
CMA915	A915	24	1B	146mm	Horiz TUBE-O	QC	
CM7887	8034	24	1B	146mm	VOR	JE	Rubber dampened clutch
CM7887J	8034	24	1B	146mm	VOR	JE	JAYAIR by SANDEN
CMA909	A909	24	1B	146mm	VOR	JE	W/Dust cover
CMA902	A902	24	1B	146mm	Vert TUBE-O	CB	
CM7947	8037	24	1C	153mm	VOR	JE	Rubber dampened clutch
CM6043	6043S	24	2A	132mm	HOR	KG	
CM8097A	8097A	24	2A	132mm	Horiz GM Pad	QC	
CM8016	8016	24	2A	132mm	Vert TUBE-O	CB	
CMA935	A935	24	2A	132mm	Vert TUBE-O	CB	
CM7888	8042	24	2A	132mm	VOR	JE	Rubber dampened clutch
CM7888J	8042	24	2A	132mm	VOR	JE	JAYAIR by SANDEN

SD7H15 (replaces SD508/SD510/SD709) Ear Mount - continued

Part No.	Model	Voltage	Clutch Type	Clutch Dia.	Ports	Head	Notes
CM7991	7991	24	2A	132mm	Vert Special Pad	WL	
CM6042	6042S	24	2A	140mm	Horiz GM Pad	QC	Steel Armature
CMA920	A920	24	6PV	119mm	HOR	KG	Steel Armature
CMA928	A928	24	6PV	119mm	VOR	JE	Steel Armature
CM8117A	8117A	24	8PV	119mm	VOR	FZ	
CMA997	A997	24	8PV	119mm	VOR	JE	51.5mm Gauge Line
CMA926	A926	24	8PV	132mm	HOR	KG	Steel Armature
CMA907	A907	24	8PV	132mm	Vert TUBE-O	CB	
CMA927	A927	24	8PV	132mm	VOR	JE	Steel Armature
CMA933	A933	24	10PV	125mm	HOR	KG	Steel Armature
CMA975	A975	24	10PV	125mm	VOR	JE	Steel Armature

SD7H15 (replaces SD508/SD510/SD709) Direct Mount

No. of Cylinders	7
Displacement	155cc
Initial Oil Charge	135cc
Refrigerant	R134a
Oil	SP20 PAG type B SP10 PAG type C
Clutch Voltages	12V / 24V
Rotation	CW



SD7H15 (replaces SD508/SD510/SD709) Direct Mount

Part No.	Model	Voltage	Clutch Type	Clutch Dia.	Ports	Head	Notes
CMA937	A937	12	6PV	119mm	HOR	KG	
CM4628	4628	12	6PV	119mm	VOR	JE	Keyed shaft
CMA967	A967	12	8PV	119mm	R/Angle HOR	QC	
CMA964	A964	24	8PV	132mm	HOR	KG	Steel Armature
CMA960	A960	24	10PV	120mm	VOR	JE	Steel Armature

SD7H15 Enhanced

No. of Cylinders	7
Displacement	155
Initial Oil Charge	200cc
Refrigerant	R134a
Oil	SP15 PAG
Clutch Voltages	12V / 24V
Rotation	CW



SD7H15 Enhanced

Part No.	Model	Voltage	Clutch Type	Clutch Dia.	Adaptor Ports	Head	Notes
CMA995	A995	12	1B	148mm	HOR	GV	200cc Oil qty
CMA984	A984	12	1B	148mm	VOR	GV	200cc Oil qty
CM7616	4616	12	2A	125mm	Horiz GM Pad	GV	200cc Oil qty
CMA983	A983	12	2A	125mm	HOR	GV	200cc Oil qty
CMA990	A990	12	2A	125mm	VOR	GV	200cc Oil qty
CMA988	A988	12	2B	148mm	HOR	GV	200cc Oil qty
CMA993	A993	12	6PV	119mm	VOR	GV	200cc Oil qty
CMA992	A992	12	8PV	119mm	HOR	GV	200cc Oil qty
CMA986	A986	12	10PV	125mm	HOR	GV	200cc Oil qty
CMA981	A981	12	10PV	125mm	VOR	GV	200cc Oil qty
CMA989	A989	24	1B	148mm	HOR	GV	200cc Oil qty
CMA994	A994	24	1B	148mm	VOR	GV	200cc Oil qty
CMA985	A985	24	2A	125mm	HOR	GV	200cc Oil qty
CMA982	A982	24	2A	125mm	VOR	GV	200cc Oil qty
CMA987	A987	24	10PV	125mm	HOR	GV	200cc Oil qty
CMA991	A991	24	10PV	125mm	VOR	GV	200cc Oil qty

SD7L15 (R404a Refrigerant)

No. of Cylinders	7
Displacement	150cc
Initial Oil Charge	200cc
Refrigerant	R134a / R404a
Oil	Artic Ester 68
Clutch Voltages	12V / 24V
Rotation	CW



SD7L15 (R404a Refrigerant)

Part No.	Model	Voltage	Clutch Type	Clutch Dia.	Ports	Head	Notes
CMA955	A955	12	1B	138mm	HOR	KG	Steel Armature, (200ml Ester Oil)
CMA949	A949	12	1B	138mm	VOR	JE	Steel Armature, (200ml Ester Oil)
CMA948	A948	12	2A	132mm	HOR	KG	Steel Armature, (200ml Ester Oil)
CMA958	A958	12	2A	132mm	VOR	JE	Steel Armature, (200ml Ester Oil)
CMA971	A971	12	6PV	119mm	VOR	JE	Steel Armature, (200ml Ester Oil)
CMA970	A970	12	8PV	119mm	HOR	KG	Steel Armature, (200ml Ester Oil)
CMA957	A957	12	10PV	125mm	VOR	JE	Steel Armature, (200ml Ester Oil)
CMA956	A956	24	1B	138mm	HOR	KG	Steel Armature, (200ml Ester Oil)

SD7L15 (R404a Refrigerant) - continued

Part No.	Model	Voltage	Clutch Type	Clutch Dia.	Ports	Head	Notes
CM6044	6044A	24	1B	138mm	VOR	JE	Steel Armature, (200ml Ester Oil)
CMA952	A952	24	2A	132mm	HOR	KG	Steel Armature, (200ml Ester Oil)
CMA947	A947	24	2A	132mm	VOR	JE	Steel Armature, (200ml Ester Oil)
CMA954	A954	24	10PV	125mm	HOR	KG	Steel Armature, (200ml Ester Oil)
CMA959	A959	24	10PV	125mm	VOR	JE	Steel Armature, (200ml Ester Oil)

TRS090 (replaces TR70/90) Ear Mount

Displacement	86cc
Initial Oil Charge	135-240cc Model Dependent
Refrigerant	R134a
Oil	SP10 PAG
Clutch Voltages	12V
Rotation	CW



TRS090 (replaces TR70/90) Ear Mount

Part No.	Model	Voltage	Clutch Type	Clutch Dia.	Ports	Head
CMA910	A910	12	5PV	119mm	Fact Pad Fittings	P

TRS090 (replaces TR70/90) Direct Mount

Part No.	Model	Voltage	Clutch Type	Clutch Dia.	Ports	Head	Notes
CM3013	3013	12	1A	92mm	Fact Pad Fittings	P	O / Hang clutch
CM3012	3012	12	2A	115mm	Fact Pad Fittings	P	
CM3011	3011	12	5PV	100mm	Fact Pad Fittings	P	
CM3014	3014	12	5PV	119mm	Fact Pad Fittings	P	
CM3016	3016	12	6PV	112mm	Fact Pad Fittings	A	

Sanden Universal Compressors

SD7H13 & SD7H15 compressors are a seven cylinder compressor and are known generally as '7 series – type B' compressors, being a development of the earlier SD7 (R12) compressors which were rarely used in Australia. Features of the 'B' series compressors were: lip seals, HNBR seals and elastomers, improved bearings and lubrication systems to handle the higher pressure and loads of R134a. They also used Sanden's SP20 oil as opposed to the SP10 oil used in the TRS scroll type R134a compressors. Generally the model numbers used took the 7XXX format or series of numbers.

Sanden further improved the SD7H15 series by introducing the Type 'C' compressor which uses the 8XXX series of model numbers. Features of this model are:

- Improved noise reduction
- Introduction of rubber dampener on the clutch
- Standardisation of oil to SP10 (same as TRS)
- Improved durability
- Staked fitment of rotor bearing (meaning the clutch bearing can only be serviced by replacing the rotor assembly)

Points to remember are:

- '5 Series' heads cannot be fitted to '7 Series' compressors and vice versa
- Sanden R134a compressors do not offer the option of charging valves on the compressor
- In some cases there may be no alternative other than to modify or replace the mount bracket or to space the compressor
- Sanden do not manufacture any 'Flare' R134a compressors
- Compressors starting with:

6XXX = Splined Shaft

7XXX = Keyed Shaft

8XXX = Splined Shaft



Sanden Enhanced Compressors

The Enhanced SD7 is a high performance version of Sanden's popular SD7H15 compressor, with design improvements providing higher refrigerant gas flow, decreased gas re-expansion and improved efficiency. The Enhanced SD7 has the same outer dimensions as the standard SD7H15, but provides an Additional 15 – 20 percent cooling capacity based on Sanden's independent testing.

The Enhanced SD7 is ideal for applications that traditionally use 170cc – 210cc A/C compressors. Typical applications include: construction vehicles, transport refrigeration, ambulances, dual evaporator systems and military vehicles.

Bolt on Flex adaptors are fitted as standard to the Enhanced SD7 range.



CMA984 Enhanced Compressor

Sanden Super Heavy Duty SD7 Compressors

With extensive experience in the global heavy truck industry, Sanden developed the Super Heavy Duty or 'SHD' compressor for specific use in the most severe application environments.

Whilst maintaining the same mounting feature and outer body diameter, the 'SHD' compressor features many new or revised components compared to the standard SD7H15, all of which have been designed to provide longer service life and with no loss of cooling performance.

Features include:

- New long-life clutch, lip seal and internal bearing package
- Revised internal lubricant flow passages to reduce the wear on internal components
- New fail safe clutch design which prevents the loss of the accessory belt in the event of the A/C compressor or clutch failure



CM7069 Super Heavy Duty

TXV Systems, Less than 56oz. (1600g) Refrigerant Charge

The desired oil charge for the systems with unusually long hoses, such as trucks, tractors, etc., can be determined based on the total refrigerant charge when less than 56oz. (1600g) refrigerant is used.

Calculate the desired oil charge as below:

SD5H14: Oil amount (fl. oz.) = (Refrigerant charge in oz. x 0.125 + 1.35).
Oil amount (cc) = (Refrigerant charge in grams x 0.125)+40.

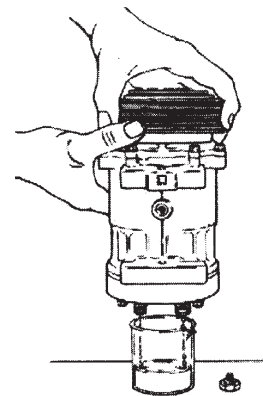
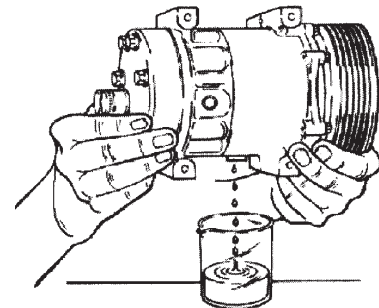
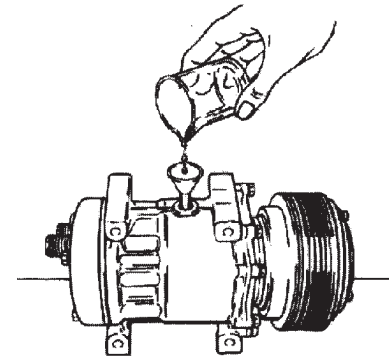
SD7H15: Oil amount (fl. oz.) = [(Refrigerant charge in oz. x 0.06) + 2.2] ÷ 0.9.
Oil amount (cc) = [(Refrigerant charge in grams x 0.06)+60 ÷ 0.9.

For a new compressor to be used in this type of system, subtract the standard oil charge from the desired total oil charge to determine how much oil should be added to the compressor.

Remove the oil filler plug and charge the compressor with the amount of additional oil determined in step 3. Use only new oil of the correct type.

Reinstall oil plug. Seal and O-ring must be clean and not damaged.

Torque to 11-18ft lb (15-25 Nm, 150-200 kgf cm).



TXV Systems, More than 56oz. (1600g) of Refrigerant

For systems with more than 56oz.(1600g) refrigerant, on-vehicle testing is required to determine oil charge.

- Charge system with refrigerant.
- Set up the vehicle as follows:

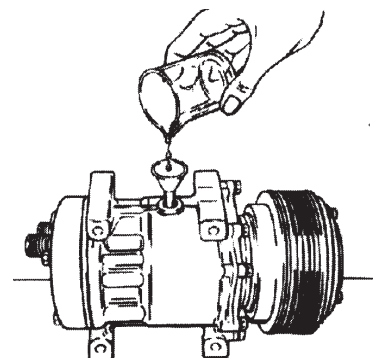
Doors open

Maximum blower speed

Ambient temp. at least 75°F (24°C).

- Run the compressor at one of the speeds listed in the table below for 10-15 minutes.
- While maintaining engine speed, turn off A/C system and immediately turn off engine.
- Recover refrigerant from the system.
- Remove compressor from vehicle.
- Remove the oil plug and drain as much oil as possible into a suitable container.
- Drain oil from the suction and discharge ports into a suitable container while turning the shaft clockwise only with a socket wrench on the armature retaining nut.
- Measure and record the volume of the oil drained from the compressor.
- Approximately 0.5fl. oz. (15cc) will remain in the compressor as a film coating the internal surfaces. Add 0.5fl.oz. (15cc) to the recorded volume of the oil. This is the calculated amount of oil in the compressor.
- The amount of oil in the compressor after running for 10-15 minutes should be as per the table at right, if the proper amount of oil was in the system. Determine from the table what the correct amount of oil should be for the particular speed. (The table shown applies to SD5H14 compressors. Other compressors will exhibit a lesser oil amount dependent upon type. It is important that a quantity of oil remains in the crankcase after the test.)
- Compare the desired amount of oil with the calculated actual amount of oil in the compressor. If the amount of oil actually in the compressor [amount drained plus 0.5fl.oz. (15cc)] is less than the desired amount of oil, add oil as necessary to the container and pour back into the compressor, if the amount of oil actually in the compressor is too much, remove oil from the container until the correct amount is reached, and pour back into compressor. The amount of oil poured back into the compressor should equal the desired amount (from the table), minus 0.5fl. oz. (15cc). Use the correct oil type.
- Reinstall oil plug. Seal and O-ring must be clean and not damaged. Torque to 11-15 ft lb (15-20 Nm, 150-200 kgf cm).

Compressor RPM	Oil in compressor	
	fl. oz.	cc
1,000	3.4	100
2,000	2.5	75
3,000	1.7	50
4,000	1.3	40
5,000	1.2	35



Unicla Description

The Unicla Compressor range has been designed especially to suit the requirements of the Automotive Industry and includes such features as;

- 10 Cylinders for smooth, quiet operation
- Available with either vertical or horizontal o'ring ports, pads are also supplied on some models
- Suitable for both clockwise and anti-clockwise rotation
- A variety of clutch configurations including both 12V and 24V, using 'A' section, 'B' section and polygroove
- Dust covers are available for many 132mm and 135mm clutches
- A large range of compressor capacities and mounting configurations are also available.
- R134a charge ports fitted

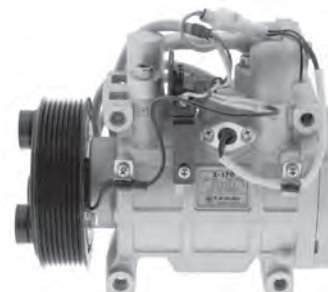
Unicla Replacements

Unicla - original equipment replacement compressors

Part No.	Suits	Description
CM9170	Mercedes	Replaces 10PA17C

DENSO replacement - original equipment replacement compressors

Part No.	Description	Description 1
CM1013	Bare compressor	Replaces 10P13C
CM1015	Bare compressor	Replaces 10PA15C
CM1016	Bare compressor	Replaces 10PA17C



Unicla UC45

No. of Cylinders	10
Displacement	46cc
Initial Oil Charge	150cc
Refrigerant	R134a
Oil	Unidap 7 PAG
Clutch Voltages	12V
Weight w/o clutch	4.3kg
Maximum RPM	7000



UC45

Part No.	Model	Mount	Voltage	Clutch Type	Clutch Dia.	Ports	Notes
CM9326	UC45-7585	Swing	12	1M	119mm	VOR	Alt Mount
CM7844	UC45-7845	Swing	12	4PV	119mm	VOR	Alt Mount

Unicla UC90

No. of Cylinders	10
Displacement	92cc
Initial Oil Charge	150cc
Refrigerant	R134a
Oil	Unidap 7 PAG
Clutch Voltages	12V
Weight w/o clutch	4.3kg
Maximum RPM	7000



UC90

Part No.	Model	Mount	Voltage	Clutch Type	Clutch Dia.	Ports	Notes
CM9327	UC90-4865	Swing	12	1A	119mm	VOR	Alt Mount

UP90 (replaces UP105, UPS105)

No. of Cylinders	10
Displacement	92cc
Initial Oil Charge	150cc
Refrigerant	R134a
Oil	Unidap 7 PAG
Clutch Voltages	12V / 24V
Weight w/o clutch	3.7kg
Maximum RPM	7000



UP90 (replaces UP105, UPS105)

Part No.	Model	Mount	Voltage	Clutch Type	Clutch Dia.	Ports	Notes
CM9911	UP90-1755	Ear				VOR	Bare compressor
CM9918	UP90-4501	Ear	12	1B	135mm	HOR	
CM9967	UP90-2714	Ear	12	2A	125mm	HOR	
CM9921	UP90-2715	Ear	12	2A	125mm	VOR	
CM9913	UP90-2432	Ear	12	2A	132mm	VOR	
CM9914	UP90-3520	Ear	12	6PV	125mm	HOR	
CM9917	UP90-3525	Ear	12	6PV	125mm	VOR	
CM9923	UP90-3535	Ear	12	10PV	125mm	VOR	
CM9922	UP90-2716	Ear	24	2A	125mm	HOR	
CM9920	UP90-2400	Ear	24	2A	132mm	VOR	

UX120

Model: UX120

No. of Cylinders	10
Displacement	120cc
Initial Oil Charge	160cc
Refrigerant	R134a
Oil	Unidap 7 PAG
Clutch Voltages	12V
Weight w/o clutch	3.7kg
Maximum RPM	7000



UX120

Part No.	Model	Mount	Voltage	Clutch Type	Clutch Dia.	Ports	Notes
CM9853	UX120-2495	Direct				VOR	Bare compressor
CM4715	UX120-4715	Direct	12	10PV	125mm	VOR	



UP120

No. of Cylinders	10
Displacement	92cc
Initial Oil Charge	150cc
Refrigerant	R134a
Oil	Unidap 7 PAG
Clutch Voltages	12V / 24V
Weight w/o clutch	3.7kg
Maximum RPM	7000



UP120

Part No.	Model	Mount	Voltage	Clutch Type	Clutch Dia.	Ports	Notes
CM9621	UP120-4251	Ear				HOR	Bare compressor
CM9618	UP120-2450	Ear				VOR	Bare compressor
CM9167	UP120-3167	Ear	12	1B	135mm	GM Pad, FN8 Flange	
CM9616	UP120-1290	Ear	12	1B	135mm	VOR	
CM9622	UP120-6355	Ear	12	1A	125mm	HOR	O/Hang Clutch
CM9164	UP120-3165	Ear	12	2A	132mm	GM Pad, FN8 Flange	
CM9626	UP120-6950	Ear	12	2A	132mm	HOR	Steel Clutch
CM9924	UP120-1924	Ear	12	2A	132mm	VOR	
CM9624	UP120-6856	Ear	12	6PV	125mm	HOR	
CM9361	UP120-3261	Ear	12	8PV	119mm	GM Pad, FN8 Flange	
CM9623	UP120-6851	Ear	12	8PV	132mm	VOR	
CM9169	UP120-3169	Ear	12	8PV	135mm	GM Pad, FN8 Flange	
CM9363	UP120-3263	Ear	12	10PV	125mm	GM Pad, FN8 Flange	
CM9957	UP120-6850	Ear	12	10PV	125mm	VOR	
CM9168	UP120-3168	Ear	24	1B	135mm	GM Pad, FN8 Flange	
CM9620	UP120-2490	Ear	24	1B	135mm	VOR	
CM9619	UP120-2470	Ear	24	2A	125mm	HOR	
CM9925	UP120-1925	Ear	24	2A	125mm	VOR	
CM9166	UP120-3166	Ear	24	2A	132mm	GM Pad, FN8 Flange	
CM9617	UP120-1926	Ear	24	2A	132mm	VOR	
CM9362	UP120-3262	Ear	24	8PV	119mm	GM Pad, FN8 Flange	
CM9360	UP120-3260	Ear	24	8PV	135mm	GM Pad, FN8 Flange	
CM9364	UP120-3264	Ear	24	10PV	125mm	GM Pad, FN8 Flange	

UX150

No. of Cylinders	10
Displacement	145cc
Initial Oil Charge	160cc
Refrigerant	R134a
Oil	Unidap 7 PAG
Clutch Voltages	12V / 24V
Weight w/o clutch	4.8kg
Maximum RPM	7000

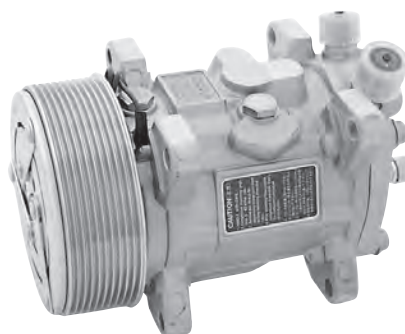


UX150

Part No.	Model	Mount	Voltage	Clutch Type	Clutch Dia.	Ports	Notes
CM9858	UX150-3250	Direct				VOR	Bare compressor
CM4975	UX150-4975	Direct	12	2A	125mm	VOR	
CM4972	UX150-4974	Direct	12	2A	132mm	HOR	
CM4365	UX150-4365	Direct	12	5PV	125mm	Pad	
CM4665	UX150-4665	Direct	12	5PV	125mm	VOR	
CM9859	UX150-4666	Direct	12	6PV	120mm	VOR	
CM9854	UX150-1010	Direct	12	6PV	145mm	Pad	
CM9848	UX150-2480	Direct	12	8PV	125mm	HOR	
CM9856	UX150-2466	Direct	12	10PV	125mm	HOR	
CM9931	UX150-5325	Direct	12	10PV	125mm	Pad	
CM2465	UX150-2465	Direct	12	10PV	125mm	VOR	
CM9968	UX150-4976	Direct	24	2A	132mm	VOR	
CM9855	UX150-1452	Direct	24	2A	150mm	VOR	
CM9857	UX150-2468	Direct	24	8PV	125mm	HOR	

UP150

No. of Cylinders	10
Displacement	145cc
Initial Oil Charge	160cc
Refrigerant	R134a
Oil	Unidap 7 PAG
Clutch Voltages	12V / 24V
Weight w/o clutch	4.8kg
Maximum RPM	7000



UP150 (replaces UP109/UPS109)

Part No.	Model	Mount	Voltage	Clutch Type	Clutch Dia.	Ports	Notes
CM9864	UP150-5425	Ear				HOR	Bare compressor
CM9325	UP150-3250	Ear				VOR	Bare compressor
CM1985	UP150-1985	Ear	12	1A	125mm	HOR	O/Hang Clutch
CM9635	UP150-6350	Ear	12	1A	125mm	VOR	O/Hang Clutch
CM9457	UP150-3157	Ear	12	1B	135mm	GM Pad, FN8 Flange	
CM9415	UP150-4915	Ear	12	1B	135mm	HOR	
CM9928	UP150-4905	Ear	12	1B	135mm	VOR	
CM9695	UP150-6950	Ear	12	2A	125mm	HOR	

UP150 (replaces UP109/UPS109) - continued							
Part No.	Model	Mount	Voltage	Clutch Type	Clutch Dia.	Ports	Notes
CM9861	UP150-3780	Ear	12	2A	125mm	VOR	
CM9969	UP150-6140	Ear	12	2A	132mm	GM Pad	
CM9455	UP150-3155	Ear	12	2A	132mm	GM Pad, FN8 Flange	
CM9927	UP150-3785	Ear	12	2A	132mm	HOR	
CM9615	UP150-6150	Ear	12	2A	132mm	VOR	
CM6160	UP150-6160	Ear	12	2A	145mm	VOR	
CM9872	UP150-9450	Ear	12	5PV	119mm	VOR	
CM9871	UP150-9356	Ear	12	6PV	120mm	HOR	
CM9935	UP150-9350	Ear	12	6PV	125mm	VOR	
CM9649	UP150-9149	Ear	12	8PV	119mm	GM Pad	
CM9650	UP150-3251	Ear	12	8PV	119mm	GM Pad, FN8 Flange	
CM9973	UP150-9148	Ear	12	8PV	119mm	HOR	
CM9971	UP150-9142	Ear	12	8PV	119mm	VOR	
CM9459	UP150-3159	Ear	12	8PV	135mm	GM Pad, FN8 Flange	
CM9134	UP150-9136	Ear	12	8PV	135mm	HOR	
CM9868	UP150-9135	Ear	12	8PV	135mm	VOR	
CM9653	UP150-3253	Ear	12	10PV	125mm	GM Pad, FN8 Flange	
CM9930	UP150-9930	Ear	12	10PV	125mm	HOR	
CM9614	UP150-6200	Ear	12	10PV	125mm	VOR	CM7317 replacement
CM9625	UP150-6250	Ear	12	10PV	125mm	VOR	
CM9458	UP150-3158	Ear	24	1B	135mm	GM Pad, FN8 Flange	
CM9863	UP150-4966	Ear	24	1B	135mm	HOR	
CM4965	UP150-4965	Ear	24	1B	135mm	VOR	
CM9456	UP150-3156	Ear	24	2A	132mm	GM Pad, FN8 Flange	
CM9970	UP150-6145	Ear	24	2A	132mm	GM Pad	
CM9862	UP150-3786	Ear	24	2A	132mm	HOR	
CM9445	UP150-4445	Ear	24	2A	132mm	VOR	
CM9866	UP150-6351	Ear	24	2B	135mm	VOR	
CM9974	UP150-9360	Ear	24	6PV	119mm	HOR	
CM9976	UP150-9365	Ear	24	6PV	119mm	VOR	
CM9652	UP150-3252	Ear	24	8PV	119mm	GM Pad, FN8 Flange	
CM9141	UP150-9141	Ear	24	8PV	119mm	HOR	
CM9140	UP150-9140	Ear	24	8PV	119mm	VOR	
CM9655	UP150-3255	Ear	24	8PV	135mm	GM Pad, FN8 Flange	
CM9972	UP150-9147	Ear	24	8PV	135mm	HOR	
CM9869	UP150-9145	Ear	24	8PV	135mm	VOR	
CM9654	UP150-3254	Ear	24	10PV	125mm	GM Pad, FN8 Flange	
CM9873	UP150-9934	Ear	24	10PV	125mm	HOR	
CM9929	UP150-6254	Ear	24	10PV	125mm	VOR	

UPF150 (R404a Refrigerant)

No. of Cylinders	10
Displacement	145cc
Initial Oil Charge	160cc
Refrigerant	R134a / R404a
Oil	Ester
Clutch Voltages	12V / 24V
Weight w/o clutch	4.8kg
Maximum RPM	7000



UPF150 (R404a Refrigerant)

Part No.	Model	Mount	Voltage	Clutch Type	Clutch Dia.	Ports	Notes
CM5575	UPF150-5575	Ear				HOR	Bare compressor
CM5485	UPF150-5485	Ear				VOR	
CM9157	UPF150-3157	Ear	12	1B	135mm	GM Pad, FN8 Flange	
CM7833	UPF150-7835	Ear	12	1B	135mm	HOR	
CM7840	UPF150-7840	Ear	12	1B	135mm	VOR	
CM9155	UPF150-3155	Ear	12	2A	132mm	GM Pad, FN8 Flange	
CM3785	UPF150-3785	Ear	12	2A	132mm	HOR	
CM7815	UPF150-7815	Ear	12	2A	132mm	VOR	Cast Ports
CM7843	UPF150-7846	Ear	12	2B	135mm	VOR	
CM9358	UPF150-9358	Ear	12	5PV	119mm	HOR	
CM9356	UPF150-9356	Ear	12	6PV	119mm	HOR	
CM9357	UPF150-9357	Ear	12	6PV	120mm	VOR	
CM9251	UPF150-3251	Ear	12	8PV	119mm	GM Pad, FN8 Flange	
CM9601	UPF150-9148	Ear	12	8PV	119mm	HOR	
CM9159	UPF150-3159	Ear	12	8PV	135mm	GM Pad, FN8 Flange	
CM9236	UPF150-9136	Ear	12	8PV	135mm	HOR	
CM9235	UPF150-9135	Ear	12	8PV	135mm	VOR	
CM9253	UPF150-3253	Ear	12	10PV	125mm	GM Pad, FN8 Flange	
CM6255	UPF150-6255	Ear	12	10PV	125mm	HOR	
CM6250	UPF150-6250	Ear	12	10PV	125mm	VOR	
CM9158	UPF150-3158	Ear	24	1B	135mm	GM Pad, FN8 Flange	
CM2746	UPF150-4966	Ear	24	1B	135mm	HOR	
CM7845	UPF150-7845	Ear	24	1B	135mm	VOR	Cast Ports
CM9154	UPF150-3156	Ear	24	2A	132mm	GM Pad, FN8 Flange	
CM7826	UPF150-7826	Ear	24	2A	132mm	HOR	Cast Ports
CM7825	UPF150-7825	Ear	24	2A	132mm	VOR	Cast Ports
CM7747	UPF150-7847	Ear	24	2B	135mm	VOR	
CM9252	UPF150-3252	Ear	24	8PV	119mm	GM Pad, FN8 Flange	
CM6824	UPF150-6824	Ear	24	8PV	125mm	VOR	
CM9255	UPF150-3255	Ear	24	8PV	135mm	GM Pad, FN8 Flange	
CM9246	UPF150-9146	Ear	24	8PV	135mm	HOR	
CM9245	UPF150-9145	Ear	24	8PV	135mm	VOR	
CM9254	UPF150-3254	Ear	24	10PV	125mm	GM Pad, FN8 Flange	
CM6254	UPF150-6254	Ear	24	10PV	125mm	VOR	



UX170

No. of Cylinders	10
Displacement	172cc
Initial Oil Charge	150cc
Refrigerant	R134a
Oil	Unidap 7 PAG
Clutch Voltages	12V / 24V
Weight w/o clutch	4.9kg
Maximum RPM	7000



UX170 Direct Mount

Part No.	Model	Mount	Voltage	Clutch Type	Clutch Dia.	Ports	Notes
CM9841	UX170-3250	Direct				VOR	Bare compressor
CM9840	UX170-1896	Direct	12	2A	132mm	HOR	
CM2895	UX170-1895	Direct	12	2A	132mm	VOR	
CM9844	UX170-6665	Direct	12	10PV	125mm	HOR	
CM9845	UX170-6666	Direct	12	10PV	125mm	VOR	
CM9843	UX170-6315	Direct	24	1B	135mm	VOR	
CM9939	UX170-6195	Direct	24	2A	132mm	HOR	
CM9842	UX170-6185	Direct	24	2A	132mm	VOR	

UP170 Ear Mount

No. of Cylinders	10
Displacement	172cc
Initial Oil Charge	160cc
Refrigerant	R134a
Oil	Unidap 7 PAG
Clutch Voltages	12V / 24V
Weight w/o clutch	4.9kg
Maximum RPM	7000



UP170 (replaces UP110)

Part No.	Model	Mount	Voltage	Clutch Type	Clutch Dia.	Ports	Notes
CM9878	UP170-4055	Ear				HOR	Bare compressor
CM9405	UP170-4050	Ear				VOR	Bare compressor
CM9447	UP170-3147	Ear	12	1B	135mm	GM Pad, FN8 Flange	
CM9881	UP170-6316	Ear	12	1B	135mm	HOR	
CM9875	UP170-3785	Ear	12	2A	125mm	HOR	
CM9444	UP170-3145	Ear	12	2A	132mm	GM Pad, FN8 Flange	
CM9932	UP170-3905	Ear	12	2A	132mm	HOR	
CM6245	UP170-6245	Ear	12	2A	132mm	HTO	
CM1895	UP170-1895	Ear	12	2A	132mm	VOR	
CM9678	UP170-4678	Ear	12	2A	145mm	GM Pad	
CM9876	UP170-3907	Ear	12	2A	145mm	HOR	
CM3910	UP170-3910	Ear	12	2A	145mm	VOR	
CM9983	UP170-6350	Ear	12	2B	135mm	VOR	
CM9979	UP170-9936	Ear	12	6PV	120mm	HOR	



UP170 (replaces UP110) - continued							
Part No.	Model	Mount	Voltage	Clutch Type	Clutch Dia.	Ports	Notes
CM9641	UP170-3241	Ear	12	8PV	119mm	GM Pad, FN8 Flange	
CM9978	UP170-9186	Ear	12	8PV	119mm	HOR	
CM9142	UP170-9142	Ear	12	8PV	119mm	VOR	
CM9449	UP170-3149	Ear	12	8PV	135mm	GM Pad, FN8 Flange	
CM9977	UP170-9136	Ear	12	8PV	135mm	HOR	
CM9887	UP170-9135	Ear	12	8PV	135mm	VOR	
CM9643	UP170-3243	Ear	12	10PV	125mm	GM Pad, FN8 Flange	
CM9934	UP170-6660	Ear	12	10PV	125mm	HOR	
CM9665	UP170-6650	Ear	12	10PV	125mm	VOR	
CM9448	UP170-3148	Ear	24	1B	135mm	GM Pad, FN8 Flange	
CM9880	UP170-5426	Ear	24	1B	135mm	HOR	
CM9426	UP170-6426	Ear	24	1B	135mm	HTO	
CM2385	UP170-5425	Ear	24	1B	135mm	VOR	
CM9425	UP170-6425	Ear	24	1B	135mm	VTO	
CM9670	UP170-4670	Ear	24	2A	132mm	GM Pad	
CM9446	UP170-3146	Ear	24	2A	132mm	GM Pad, FN8 Flange	
CM9933	UP170-4575	Ear	24	2A	132mm	HOR	
CM9575	UP170-6575	Ear	24	2A	132mm	HTO	
CM4295	UP170-4295	Ear	24	2A	132mm	VOR	
CM6205	UP170-6205	Ear	24	2A	132mm	VTO	
CM9879	UP170-4675	Ear	24	2A	145mm	GM Pad	
CM9352	UP170-6352	Ear	24	2B	135mm	HOR	
CM9882	UP170-6351	Ear	24	2B	135mm	VOR	
CM9959	UP170-9938	Ear	24	6PV	125mm	VOR	
CM9642	UP170-3242	Ear	24	8PV	119mm	GM Pad, FN8 Flange	
CM9190	UP170-9190	Ear	24	8PV	119mm	HOR	
CM9889	UP170-9149	Ear	24	8PV	119mm	VOR	
CM9640	UP170-3240	Ear	24	8PV	135mm	GM Pad, FN8 Flange	
CM9646	UP170-9146	Ear	24	8PV	135mm	HOR	
CM9888	UP170-9145	Ear	24	8PV	135mm	VOR	
CM9644	UP170-3244	Ear	24	10PV	125mm	GM Pad, FN8 Flange	
CM9936	UP170-6670	Ear	24	10PV	125mm	HOR	
CM9886	UP170-6680	Ear	24	10PV	125mm	VOR	

UPF170 (R404a Refrigerant)

No. of Cylinders	10
Displacement	172cc
Initial Oil Charge	150cc
Refrigerant	R134a / R404a
Oil	Ester
Clutch Voltages	12V / 24V
Weight w/o clutch	4.9kg
Maximum RPM	7000



UPF170 (R404a Refrigerant)

Part No.	Model	Mount	Voltage	Clutch Type	Clutch Dia.	Ports	Notes
CM5175	UPF170-5575	Ear				HOR	
CM5475	UPF170-5475	Ear				VOR	Bare compressor
CM9747	UPF170-3147	Ear	12	1B	135mm	GM Pad, FN8 Flange	
CM7835	UPF170-7835	Ear	12	1B	135mm	HOR	
CM6315	UPF170-6315	Ear	12	1B	135mm	VOR	
CM9745	UPF170-3145	Ear	12	2A	132mm	GM Pad, FN8 Flange	
CM7851	UPF170-7815	Ear	12	2A	132mm	VOR	
CM0786	UPF170-7846	Ear	12	2B	135mm	VOR	
CM6622	UPF170-6622	Ear	12	6PV	119mm	VOR	
CM9241	UPF170-3241	Ear	12	8PV	119mm	GM Pad, FN8 Flange	
CM6674	UPF170-6674	Ear	12	8PV	119mm	HOR	
CM6676	UPF170-6672	Ear	12	8PV	119mm	VOR	
CM9749	UPF170-3149	Ear	12	8PV	135mm	GM Pad, FN8 Flange	
CM9138	UPF170-9136	Ear	12	8PV	135mm	HOR	
CM9135	UPF170-9135	Ear	12	8PV	135mm	VOR	
CM9243	UPF170-3243	Ear	12	10PV	125mm	GM Pad, FN8 Flange	
CM6660	UPF170-6660	Ear	12	10PV	125mm	HOR	
CM6650	UPF170-6650	Ear	12	10PV	125mm	VOR	
CM9748	UPF170-3148	Ear	24	1B	135mm	GM Pad, FN8 Flange	
CM2386	UPF170-5426	Ear	24	1B	135mm	HOR	
CM7846	UPF170-7845	Ear	24	1B	135mm	VOR	
CM9746	UPF170-3146	Ear	24	2A	132mm	GM Pad, FN8 Flange	
CM7827	UPF170-7826	Ear	24	2A	132mm	HOR	Cast Ports
CM0825	UPF170-7825	Ear	24	2A	132mm	VOR	
CM7848	UPF170-7848	Ear	24	2B	135mm	HOR	
CM7847	UPF170-7847	Ear	24	2B	135mm	VOR	
CM6624	UPF170-6624	Ear	24	6PV	119mm	VOR	
CM9242	UPF170-3242	Ear	24	8PV	119mm	GM Pad, FN8 Flange	
CM6673	UPF170-6673	Ear	24	8PV	119mm	HOR	
CM6671	UPF170-6671	Ear	24	8PV	119mm	VOR	
CM9240	UPF170-3240	Ear	24	8PV	135mm	GM Pad, FN8 Flange	
CM9146	UPF170-9146	Ear	24	8PV	135mm	HOR	
CM9143	UPF170-9145	Ear	24	8PV	135mm	VOR	
CM9244	UPF170-3244	Ear	24	10PV	125mm	GM Pad, FN8 Flange	
CM6675	UPF170-6675	Ear	24	10PV	125mm	HOR	
CM6670	UPF170-6670	Ear	24	10PV	125mm	VOR	

UX200

No. of Cylinders	10
Displacement	200cc
Initial Oil Charge	180cc
Refrigerant	R134a
Oil	Unidap 7 PAG
Clutch Voltages	12V / 24V
Weight w/o clutch	7.2kg
Maximum RPM	4500



UX200

Part No.	Model	Mount	Voltage	Clutch Type	Clutch Dia.	Ports	Notes
CM9315	UX200-4315	Direct	12	2A	145mm	VOR	
CM9276	UX200-4176	Direct	24	1B	145mm	HOR	
CM9275	UX200-4175	Direct	24	1B	145mm	VOR	
CM9165	UX200-4165	Direct	24	2A	145mm	VOR	
CM3226	UX200-3226	Direct	24	2B	145mm	VOR	
CM9948	UX200-8PG	Direct	24	8PV	145mm	VOR	

UP200 (replaces UP112)

No. of Cylinders	10
Displacement	200cc
Initial Oil Charge	180cc
Refrigerant	R134a
Oil	Unidap 7 PAG
Clutch Voltages	12V / 24V
Weight w/o clutch	7.2kg
Maximum RPM	4500



UP200 (replaces UP112)

Part No.	Model	Mount	Voltage	Clutch Type	Clutch Dia.	Ports	Notes
CM9941	UP200-3250	Ear				VOR	Bare compressor
CM9226	UP200-4226	Ear	12	2A	145mm	HOR	
CM9675	UP200-4675	Ear	12	2A	145mm	VOR	
CM9944	UP200-5675	Ear	12	6PV	125mm	HOR	Ester oil
CM9956	UP200-5676	Ear	12	6PV	125mm	VOR	
CM9945	UP200-5635	Ear	12	10PV	125mm	VOR	
CM9637	UP200-5637	Ear	12	10PV	135mm	HOR	
CM9432	UP200-4235	Ear	24	1B	145mm	HOR	
CM9943	UP200-5175	Ear	24	1B	145mm	HOR	Ester oil
CM9215	UP200-4215	Ear	24	1B	145mm	VOR	
CM9942	UP200-4225	Ear	24	2A	145mm	HOR	
CM9981	UP200-6225	Ear	24	2A	145mm	HTO	
CM9205	UP200-4205	Ear	24	2A	145mm	VOR	
CM9940	UP200-3225	Ear	24	2B	145mm	VOR	
CM9949	UP200-5625	Ear	24	6PV	125mm	VOR	

UM200

No. of Cylinders	10
Displacement	200cc
Initial Oil Charge	195cc
Refrigerant	R134a
Oil	Unidap 7 PAG
Clutch Voltages	24V
Weight w/o clutch	7.2kg
Maximum RPM	4500



UM200

Part No.	Model	Mount	Voltage	Clutch Type	Clutch Dia.	Ports	Notes
CM3228	UM200-3226	Direct	24	2B	145mm	VOR	
CM9827	UM200-9827	Direct	24	8PV	135mm	VOR	

UX330

No. of Cylinders	10
Displacement	330cc
Initial Oil Charge	600cc
Refrigerant	R134a
Oil	Unidap 7 PAG
Clutch Voltages	12V / 24V
Weight w/o clutch	10.5kg
Maximum RPM	4500



UX330

Part No.	Model	Mount	Voltage	Clutch Type	Clutch Dia.	Ports	Notes
CM3706	UX330-3706	Direct	12	2A	168mm	Pad	
CM8725	UX330-8725	Direct	12	2B	168mm	Pad	
CM6595	UX330-2705	Direct	24	2A	168mm	Pad	
CM6575	UX330-8735	Direct	24	2B	168mm	Pad	
CM6585	UX330-6585	Direct	24	2B	178mm	Pad	
CM3360	UX330-3360	Direct	24	2M	168mm	Pad	
CM8965	UX330-8965E	Direct	24	8PV	168mm	Pad	Ester oil

UM330

No. of Cylinders	10
Displacement	330cc
Initial Oil Charge	600cc
Refrigerant	R134a
Oil	Unidap 7 PAG or Unidap 6 POE RL68
Clutch Voltages	24V
Weight w/o clutch	12.5kg
Maximum RPM	4500



UM330

Part No.	Model	Mount	Voltage	Clutch Type	Clutch Dia.	Ports	Notes
CM8735	UM330-8735	Direct	24	2B	168mm	VOR	
CM8966	UM330-8965	Direct	24	8PV	168mm	VOR	

UX440

No. of Cylinders	14
Displacement	508cc
Initial Oil Charge	900cc
Refrigerant	R134a
Oil	Unidap 7 PAG or Unidap 6 POE RL68
Clutch Voltages	24V
Weight w/o clutch	32
Maximum RPM	4500



UWX440

Part No.	Model	Mount	Voltage	Clutch Dia.	Clutch Type	Ports	Notes
CM9982	UWX440-9255	Direct	24	2B	210mm	Pad	
CM9989	UWX440-9255E	Direct	24	2B	210mm	Pad	Ester oil
CM9895	UWX440-3295	Direct	24	8PV	210mm	Pad	
CM9896	UWX440-3295E	Direct	24	8PV	210mm	Pad	Ester oil



UWX550

No. of Cylinders	14
Displacement	607cc
Initial Oil Charge	900cc
Refrigerant	R134a
Oil	Unidap 7 PAG
Clutch Voltages	12V / 24V
Weight w/o clutch	26kg
Maximum RPM	6000



UWX550

Part No.	Model	Mount	Voltage	Clutch Type	Clutch Dia.	Ports	Notes
CM9185	UWX550-9185	Direct				Pad	Bare compressor
CM9980	UWX550-9275	Direct	24	2B	210mm	Pad	
CM9986	UWX550-9275E	Direct	24	2B	210mm	Pad	Ester oil
CM9984	UWX550-3295	Direct	24	8PV	210mm	Pad	
CM9994	UWX550-3295E	Direct	24	8PV	210mm	Pad	Ester oil

Agco/Alfa Romeo

CM8643
Agco

Model: SD7H15
Model # 4643
Voltage: 12V
Pulley Type: 2A
Pulley Dia: 132mm
Head: CBA



Picture unavailable at time of printing
 refer www.cooldrive.com.au

CM8147
Agco Tractor

Model: SD7H15
Model # 8147
Voltage: 12V
Pulley Type: 4PV
Pulley Dia: 112mm
Head: QC

**CM5628**

Alfa Romeo 145, 1.6Lt, 1/00>
 Alfa Romeo 145, 146, 1.4, 1.6Lt JTD, 12/96>

Model: SCS08C
Voltage: 12V
Pulley Type: 6PV
Pulley Dia: 115mm
Body # 447260-7000
Clutch # 447300-8550

**CM5760**

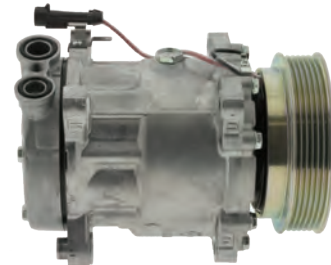
Alfa Romeo 147, 1.9Lt, 6/01>
 Alfa Romeo 156, 1.9Lt JTD, 5/01>

Model: 5SL12C-J
Voltage: 12V
Pulley Type: 6PV
Pulley Dia: 130mm
Body # 447220-8640
Clutch # 247300-6250

**CM1120**

Alfa Romeo 156, 166, V6, 99-02

Model: SD7V16
Model # 1120
Voltage: 12V
Pulley Type: 6PV
Pulley Dia: 121mm
Head: VUA

**CM1157**

Alfa Romeo 156, 2.0Lt, 97-01
 Alfa Romeo GTV, 98>
 Alfa Romeo Spider, 98>

Model: SD7V16
Model # 1174
Voltage: 12V
Pulley Type: 6PV
Pulley Dia: 130mm
Head: VUC



Replaces: 1157

CM5790

Alfa Romeo 159, 9/05>
 Alfa Romeo Brera, 1/06>
 Alfa Romeo Spider, 9/06>

Model: DCS171C
Voltage: 12V
Pulley Type: 3PV / 5PV
Pulley Dia: 120mm / 151mm

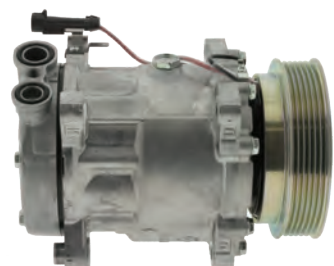


60693746

CM1120

Alfa Romeo Spider, GTV, 3.0Lt 24 valve, 98>


Model: SD7V16
Model # 1120
Voltage: 12V
Pulley Type: 6PV
Pulley Dia: 121mm
Head: VUA



Aston Martin/Audi


CM7954
Aston Martin DB7, V8, 3/96>
Aston Martin Volante, 4.0Lt, 1/93>

Model: SD7H15
Model # 7954
Voltage: 12V
Pulley Type: 1A
Pulley Dia: 132mm
Head: QY



CM5648
Aston Martin DB9, 5.9Lt, 12/03>

Model: 5SA12C
Voltage: 12V
Pulley Type: 6PV
Pulley Dia: 115mm
Body # 447260-0040
Clutch # 248300-3260



4G4319D629AA

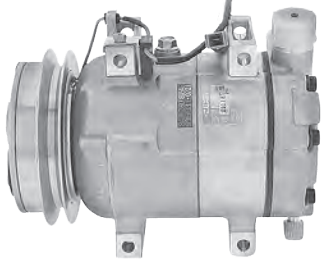
CM8109
Aston Martin, Cosworth V8

Model: SD7V16
Model # 1109
Voltage: 12V
Pulley Type: 2A
Pulley Dia: 125mm
Head: VR



CM5506
Audi 80, 5 cyl, 92-96


Model: DCW17D
Voltage: 12V
Pulley Type: 1A
Pulley Dia: 128mm



4A0260805 AF / AA / AC

CM5505
Audi 80, 2.6Lt V6, 92-96
Audi 100, V6, 93-94


Model: DCW17D
Voltage: 12V
Pulley Type: 6PV
Pulley Dia: 130mm



4A0260805 AH / AD

CM5502
Audi 80 Avant Estate, 2.3Lt 5 cyl, 91>
Audi 80, 2.0Lt 4 cyl, 88-90


Model: 10P17C
Voltage: 12V
Pulley Type: 1A
Pulley Dia: 130mm
Body # 047200-6600
Clutch # 047300-4680



034260805 D

CM5503
Audi 90, 2.3Lt, 88-91
Audi 200, 2.2Lt 5 cyl Turbo, 89-90

Model: 10P17C
Voltage: 12V
Pulley Type: 1A
Pulley Dia: 130mm
Body # 047200-7620
Clutch # 047300-3890



034260805 C


CM5670
Audi A3 Cabrio, 1.8, 2.0Lt, 4/08>

Model: 6SEU14C
Voltage: 12V
Pulley Type: 6PV
Pulley Dia: 110mm
Body # 447260-2280
Clutch # 248300-2070



CM7159
Audi A3, 1.8, 2.0Lt, 04>

Model: DCS17E
Voltage: 12V
Pulley Type: 6PV
Pulley Dia: 140mm



1K0820803L / N
Jayair: CM7159J

CM5587
Audi A3, 1.4, 1.6, 2.0Lt, 6/03>

Model: 7SEU16C
Voltage: 12V
Pulley Type: 6PV
Pulley Dia: 110mm
Body # 447260-1700
Clutch # 248300-2850



1K0820859M
Jayair: CM5587J

CM1233

Audi A3, 1.8Lt, 02>

Model: SD7V16
 Model # 1278
 Voltage: 12V
 Pulley Type: 6PV
 Pulley Dia: 120mm
 Head: VQS



Replaces: 1233
 1J0820803J / L
 Jayair: CM1233J

CM8681

Audi A3, 2.0Lt Petrol

Model: PXE16
 Model # 4573
 Voltage: 12V
 Pulley Type: 6PV
 Pulley Dia: 110mm
 Head: EBA



Replaces: 1601, 8681

CM1221

Audi A3, 97-00

Model: SD7V16
 Model # 1221
 Voltage: 12V
 Pulley Type: 6PV
 Pulley Dia: 120mm
 Head: VQL



Replaces: 1206
 1J0820803A / K / L

CM5658

Audi A4, 1.8, 2.0Lt TDi, 11/07>

Model: 6SEU14C
 Voltage: 12V
 Pulley Type: 6PV
 Pulley Dia: 100mm
 Body # 447260-1420
 Clutch # 248300-2680



8K0260805L / E

CM5652

Audi A4, Quattro, 3.2Lt V6 , 6/07>

Model: 6SEU14C
 Voltage: 12V
 Pulley Type: 6PV
 Pulley Dia: 125mm
 Body # 447260-1430
 Clutch # 248300-1800

**CM5699**

Audi A4, 2.0Lt FSi, 7/02-10/04
 Audi A4, 1.6, 1.8, 1.9Lt TDi, 10/00-10/04

Model: 6SEU14C
 Voltage: 12V
 Pulley Type: 6PV
 Pulley Dia: 100mm
 Body # 447260-4770
 Clutch # 248300-1680



8E0260805AT / AG / BA

CM5687

Audi A4, Cabrio, 2.4, 3.0Lt, 4/02>
 Audi A4, 2.4, 3.0Lt, 10/00>

Model: 6SEU14C
 Voltage: 12V
 Pulley Type: 6PV
 Pulley Dia: 100mm
 Body # 447260-1320
 Clutch # 248300-2580



8E0260805CG

CM5588

Audi A4, Quattro, 1.8, 1.9Lt TDi, 2.0Lt TDi
 3.0Lt TDi, 4/01>
 Audi A4, 1.6, 1.8, 1.9Lt TDi, 2.0, 2.7Lt Tdi
 10/00>

Model: 6SEU14C
 Voltage: 12V
 Pulley Type: 6PV
 Pulley Dia: 100mm
 Body # 447260-1320
 Clutch # 248300-1680



8E0260805CD

CM5578

Audi A4, Quattro, 1.8Lt, 10/00-12/05
 Audi A4, 1.6, 1.8, 2.0, 2.4, 3.0Lt, 10/00-12/05

Model: 7SEU16C
 Voltage: 12V
 Pulley Type: 6PV
 Pulley Dia: 110mm
 Body # 447260-2590
 Clutch # 447300-9550



8E0260805F

CM5573

Audi A4, Quattro, 3.0Lt, 10/00-12/05
 Audi A4, 1.6, 1.8, 2.0, 3.0Lt, 10/00-12/05


Model: 7SEU16C
 Voltage: 12V
 Pulley Type: 6PV
 Pulley Dia: 110mm
 Body # 447220-9590
 Clutch # 447300-9550



8E0260805S

CM5795
Audi A4, 2.4, 3.0Lt, 10/00-12/05

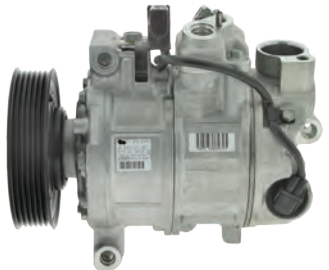
Model: 7SEU17C
Voltage: 12V
Pulley Type: 6PV
Pulley Dia: 110mm
Body # 447220-9820
Clutch # 248300-1860



8E0260805AJ

CM5768
Audi A4, 1.6, 1.8, 2.0Lt, 10/00>


Model: 6SEU12C
Voltage: 12V
Pulley Type: 6PV
Pulley Dia: 110mm
Body # 447260-2560
Clutch # 447300-9550



8E0260805G

CM5501
Audi A4, V6, 99>


Model: 7SBU16C
Voltage: 12V
Pulley Type: 4PV
Pulley Dia: 120mm
Body # 447220-8180
Clutch # 447300-6040



8D0260805J

CM5500
Audi A4, V6, V8, 99>


Model: 7SBU16C
Voltage: 12V
Pulley Type: 6PV
Pulley Dia: 126mm
Body # 447260-2150
Clutch # 447300-4970



4B0260805B

CM5572
Audi A4, Quattro 8/97-12/05
Audi A4, 2.5Lt TDi, 8/97-12/05

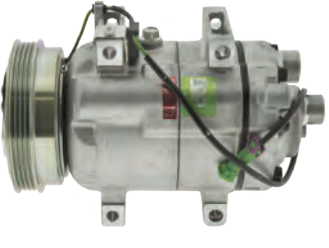
Model: 7SBU16C
Voltage: 12V
Pulley Type: 4PV
Pulley Dia: 126mm
Body # 447220-8140
Clutch # 447300-6140



4B0260805C / N / R / P

CM5508
Audi A4, 4 cyl, 95-01


Model: DCW17D
Voltage: 12V
Pulley Type: 4PV
Pulley Dia: 130mm



8D0260805D

CM5512
Audi A4, V6, 95-97


Model: DCW17D
Voltage: 12V
Pulley Type: 6PV
Pulley Dia: 131mm



8D0260805E / A

CM5658
Audi A5, 1.8Lt, 11/07-11/08


Model: 6SEU14C
Voltage: 12V
Pulley Type: 6PV
Pulley Dia: 100mm
Body # 447260-1420
Clutch # 248300-2680



8K0260805E / L


CM5652
Audi A5, Quattro, 3.2Lt V6 6/07>

Model: 6SEU14C
Voltage: 12V
Pulley Type: 6PV
Pulley Dia: 125mm
Body # 447260-1430
Clutch # 248300-1800



CM5654
Audi A6, Quattro, 4.2Lt FSi, 6/06
Audi A6, 2.0Lt TDi, TFSi, 8/04>

Model: 7SEU17C
Voltage: 12V
Pulley Type: 6PV
Pulley Dia: 125mm
Body # 447220-9810
Clutch # 248300-1720



CM5657

Audi A6, Quattro, 3.0Lt TDi, 8/04>
Audi A6 Allroad Quattro, 2.7, 3.0Lt TDi, 8/04>

Model: 6SEU14C
Voltage: 12V
Pulley Type: 6PV
Pulley Dia: 100mm
Body # 447260-3500
Clutch # 248300-1690



4F0260805AL / S / N / J

CM5665

Audi A6, 2.0Lt TDi, 2.0Lt TFSi, 8/04>

Model: 6SEU14C
Voltage: 12V
Pulley Type: 6PV
Pulley Dia: 100mm
Body # 447260-3500
Clutch # 248300-1680



4F0260805P

CM5642

Audi A6, Quattro, 4.2Lt, 04>

Model: 7SEU17C
Voltage: 12V
Pulley Type: Direct
Body # 447220-9830
Clutch # 248300-0260

**CM5673**

Audi A6, 2.4, 2.8, 3.2Lt, 8/04>
Audi A6 Quattro, 2.4, 2.8, 3.2Lt, 8/04>

Model: 6SEU14C
Voltage: 12V
Pulley Type: 6PV
Pulley Dia: 125mm
Body # 447260-3500
Clutch # 248300-1720

**CM5629**

Audi A6, 3.0, 3.2Lt V6, 10/04>

Model: 6SEU14C
Voltage: 12V
Pulley Type: 6PV
Pulley Dia: 115mm
Body # 447260-3500
Clutch # 248300-1710

**CM5796**

Audi A6, 2.0Lt 6/01-7/04,
Audi A6 Quattro, 3.0Lt, 6/01-7/04

Model: 7SEU16C
Voltage: 12V
Pulley Type: 6PV
Pulley Dia: 110mm
Body # 447220-8670
Clutch # 447300-9550



4B0260805H

CM5501

Audi A6, V6, 99>

Model: 7SBU16C
Voltage: 12V
Pulley Type: 4PV
Pulley Dia: 120mm
Body # 447220-8180
Clutch # 447300-6040



8D0260805J

CM5500

Audi A6, V6, V8, 99>

Model: 7SBU16C
Voltage: 12V
Pulley Type: 6PV
Pulley Dia: 126mm
Body # 447260-2150
Clutch # 447300-4970



4B0260805B

CM5572

Audi A6, 2.5Lt TDi, 7/97-7/04
Audi A6 Quattro, 2.5Lt TDi, 7/97-7/04

Model: 7SBU16C
Voltage: 12V
Pulley Type: 4PV
Pulley Dia: 126mm
Body # 447220-8140
Clutch # 447300-6140

**CM5329**

Audi A6, 4 cyl, 96>

Model: DCW17D
Voltage: 12V
Pulley Type: 6PV
Pulley Dia: 120mm



8A0260805AB / AD / AE

CM8321
Audi A6, 1.8Lt, 94-97

Model: DCW17D
Voltage: 12V
Pulley Type: 4PV
Pulley Dia: 123mm



4A0260805AG / AK

CM5639
Audi A8 Quattro, 4.2Lt TDi, 7/05>

Model: 6SEU14C
Voltage: 12V
Pulley Type: 6PV
Pulley Dia: 100mm
Body # 447220-9960
Clutch # 248300-1680



4E0260805AK / BC

CM5572
Audi A8, 2.5Lt TDi, 6/97-10/02
Audi A8 Quattro, 2.5Lt TDi, 6/97-10/02

Model: 7SBU16C
Voltage: 12V
Pulley Type: 4PV
Pulley Dia: 126mm
Body # 447220-8140
Clutch # 447300-6140



CM5500
Audi A8, V6, V8, 99>

Model: 7SBU16C
Voltage: 12V
Pulley Type: 6PV
Pulley Dia: 126mm
Body # 447260-2150
Clutch # 447300-4970



4B0260805B

CM8321
Audi A8, Quattro, 1.8Lt, 94-97

Model: DCW17D
Voltage: 12V
Pulley Type: 4PV
Pulley Dia: 123mm



4A0260805AG / AK

CM5673
Audi Allroad Quattro, 3.2Lt, 4/06>

Model: 6SEU14C
Voltage: 12V
Pulley Type: 6PV
Pulley Dia: 125mm
Body # 447260-3500
Clutch # 248300-1720



CM5639
Audi Q7, 4.2Lt, 3/07-6/09

Model: 6SEU14C
Voltage: 12V
Pulley Type: 6PV
Pulley Dia: 100mm
Body # 447220-9960
Clutch # 248300-1680



4E0260805AK / BC

CM5696
Audi Q7, 3.0Lt Turbo Diesel, 3/06>

Model: 7SEU17C
Voltage: 12V
Pulley Type: 6PV
Pulley Dia: 110mm
Body # 447260-2020
Clutch # 248300-2060



CM5659
Audi Q7, Quattro, 4.2Lt, 3/06>
Audi R8 Quattro, 4.2Lt, 3/06>

Model: 7SEU17C
Voltage: 12V
Pulley Type: Direct
Body # 447260-0580
Clutch # 248300-0260



CM5651
Audi S3 Quattro, 3.2Lt, 8/06>
Audi TT, 2.0Lt TFSi, 3.2Lt Quattro, 8/06>

Model: 6SEU14C
Voltage: 12V
Pulley Type: 6PV
Pulley Dia: 110mm
Body # 447260-9090
Clutch # 248300-1600



CM5654

Audi S6, Quattro, 4.2, 5.0Lt, 6/06>
Audi RS6, Quattro, 4.2, 5.0Lt, 6/06>

Model: 7SEU17C
Voltage: 12V
Pulley Type: 6PV
Pulley Dia: 125mm
Body # 447220-9810
Clutch # 248300-1720

**CM5642**

Audi S6, Allroad, 8/99>
Audi RS4, Allroad, 8/99>
Audi RS6, Allroad, 8/99>

Model: 7SEU17C
Voltage: 12V
Pulley Type: Direct
Body # 447220-9830
Clutch # 248300-0260

**CM5661**

Audi TT RS, 12/09-4/11

Model: PXE16
Model # 4574
Voltage: 12V
Pulley Type: 5PV / 5PV
Pulley Dia: 111mm / 127mm



1K0820859R

CM1221

Audi TT, 97-00

Model: SD7V16
Model # 1221
Voltage: 12V
Pulley Type: 6PV
Pulley Dia: 120mm
Head: VQL



Replaces: 1206

Bentley/BMW**CM8109**

Bentley, 80-98

Model: SD7V16
Model # 1109
Voltage: 12V
Pulley Type: 2A
Pulley Dia: 125mm
Head: VR

**CM5498**

BMW 1 Series, E82, E88, 125i, 8/08>
BMW 1 Series, E87, 130i, 11/05>

Model: 7SEU17C
Voltage: 12V
Pulley Type: 6PV
Pulley Dia: 110mm
Body # 447260-1910
Clutch # 248300-1230

**CM5641**

BMW 1 Series, E82, E88, 135i, 3/08>

Model: 7SEU17C
Voltage: 12V
Pulley Type: 7PV
Pulley Dia: 110mm
Body # 447260-3490
Clutch # 248300-1740

**CM5476**

BMW 1 Series, E81, E82, E87
E88, 1/07>

Model: 6SEU14C
Voltage: 12V
Pulley Type: 6PV
Pulley Dia: 110mm
Body # 447260-1860
Clutch # 248300-1930



64526987863

CM5677


BMW 1 Series, E81, E82, E87
E88, 120d, 123d, 5/07>

Model: 6SBU14C
Voltage: 12V
Pulley Type: 6PV
Pulley Dia: 110mm
Body # 447260-1850
Clutch # 247300-5250




CM5469
BMW 1 Series, E87, 04>

Model: CSE613C
Voltage: 12V
Pulley Type: 6PV
Pulley Dia: 110mm



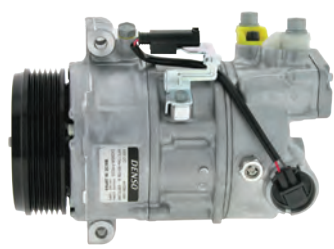
CM5457
BMW 1 Series, E81, E87, 130i, 3/05>

Model: 7SEU17C
Voltage: 12V
Pulley Type: 6PV
Pulley Dia: 110mm
Body # 447260-2460
Clutch # 248300-1230




CM5487
BMW 1 Series, E81, E87, 118d, 120d, 8/04>

Model: 5SE12C
Voltage: 12V
Pulley Type: 6PV
Pulley Dia: 100mm
Body # 447260-1280
Clutch # 248300-1320



CM5641
BMW 3 Series, E90, 335i, 10/06>


Model: 7SEU17C
Voltage: 12V
Pulley Type: 7PV
Pulley Dia: 110mm
Body # 447260-3490
Clutch # 248300-1740



CM5476
BMW 3 Series, E90, 8/05>

Model: 6SEU14C
Voltage: 12V
Pulley Type: 6PV
Pulley Dia: 110mm
Body # 447260-1860
Clutch # 248300-1930


64526987863



CM5672
BMW 3 Series E90, 325D, 330D, 6/05>


Model: 7SEU17C
Voltage: 12V
Pulley Type: 6PV
Pulley Dia: 100mm
Body # 447220-9370
Clutch # 248300-0670

64526924792




CM5457
BMW 3 Series, E90, 325i, 330i, 3/05>

Model: 7SEU17C
Voltage: 12V
Pulley Type: 6PV
Pulley Dia: 110mm
Body # 447260-2460
Clutch # 248300-1230




CM5498
BMW 3 Series, E90, 323i, 325i, 330i, 3/05>

Model: 7SEU17C
Voltage: 12V
Pulley Type: 6PV
Pulley Dia: 110mm
Body # 447260-1910
Clutch # 248300-1230




CM5499
BMW 3 Series, E90, 318i, 2/05>
BMW 3 Series, E46, 318i, 320i, 323i, 325i
330i, M3, 2/98

Model: 7SBU16C
Voltage: 12V
Pulley Type: 4PV
Pulley Dia: 110mm
Body # 447260-0780
Clutch # 247300-0990



CM5677
BMW 3 Series, E90, 318d, 320d, 3/05>

Model: 6SBU14C
Voltage: 12V
Pulley Type: 6PV
Pulley Dia: 110mm
Body # 447260-1850
Clutch # 247300-5250



CM5469

BMW 3 Series, E90, E91, E92, E93, 05>

Model: CSE613C
Voltage: 12V
Pulley Type: 6PV
Pulley Dia: 110mm

**CM5516**

BMW 3 Series, E46, E90

Model: 7SBU16C
Voltage: 12V
Pulley Type: 6PV
Pulley Dia: 110mm
Body # 447260-0780
Clutch # 447300-7670



64526910458
Jayair: CM5516J

CM5563BMW 3 Series, E46, 320i, 323i
328i, M3, 2/98-7/06
BMW 3 Series, E36, M3, 3.2Lt, 8/94-1/98

Model: 7SBU16C
Voltage: 12V
Pulley Type: 5PV
Pulley Dia: 110mm
Body # 447220-8750
Clutch # 447300-7670

**CM5343**

BMW 3 Series, E46, 318i, 10/99-2/05

Model: CSV613C
Voltage: 12V
Pulley Type: 5PV
Pulley Dia: 110mm



64528386837

CM5571

BMW 3 Series, E46, 318, 320, 9/01-2/05

Model: CSV613C
Voltage: 12V
Pulley Type: 6PV
Pulley Dia: 110mm

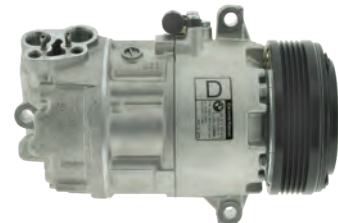


64526908660
Jayair: CM5571J

CM8752

BMW 3 Series, E46, 318d, 320d, 01-05

Model: CSV613C
Voltage: 12V
Pulley Type: 6PV
Pulley Dia: 110mm



64526918752

CM5488BMW 3 Series, E46, 316i, 318i, 318Ci
320d, 9/98-2/05

Model: SS120DL1
Voltage: 12V
Pulley Type: 5PV
Pulley Dia: 110mm



64528375319

CM1798

BMW 3 Series, E36, M3, 92-95

Model: 10PA17C
Body # 447220-7660



Clutch to suit CL1461

CM5559

BMW 3 Series, E36, 325i, 325td, 328i, 9/90-12/99

Model: 10PA17C
Voltage: 12V
Pulley Type: 4PV
Pulley Dia: 125mm
Body # 447200-3210
Clutch # 447300-7430

**CM1799**

BMW 3 Series, E36, 318i, 325i, 6/91-11/99


Model: 10PA17C
Body # 447220-7670



Clutch to suit CL1462

CM5669
BMW 3 Series, E36, 318i, 325i, 6/91-11/99


Model: 10PA17C
Voltage: 12V
Pulley Type: 4PV
Pulley Dia: 126mm
Body # 447200-3190
Clutch # 447300-7410



CM5558
BMW 3 Series, E36, 316i, M40 1.6L 4 cyl
9/90-9/93

Model: 10PA17C
Voltage: 12V
Pulley Type: 4PV
Pulley Dia: 125mm
Body # 447200-3400
Clutch # 447300-7410


Jayair: CM5558J



CM5539
BMW 3 Series, E36, 316i, 318i, 320i
323i, 325i, 328i, M3, 9/90-12/99

Model: 10PA17C
Voltage: 12V
Pulley Type: 5PV
Pulley Dia: 110mm
Body # 447200-3200
Clutch # 447300-7420


Jayair: CM5539J



CM5488
BMW 5 Series

Model: SS120DL1
Voltage: 12V
Pulley Type: 5PV
Pulley Dia: 110mm


64528375319



CM5672
BMW 5 Series, E60, 525D, 530D, 535D
1/05-12/06


Model: 7SEU17C
Voltage: 12V
Pulley Type: 6PV
Pulley Dia: 100mm
Body # 447220-9370
Clutch # 248300-0670

64526924792



CM5450
BMW 5 Series, E60, E61, 523i, 525i
530i, 540i, 545i, 550i, 1/05>

Model: 7SEU17C
Voltage: 12V
Pulley Type: 6PV
Pulley Dia: 110mm
Body # 447260-2450
Clutch # 248300-1230




CM5584
BMW 5 Series, E60, E61, 520i, 530i
525d, 530d, 535d, 6/03-2/07

Model: 7SEU17C
Voltage: 12V
Pulley Type: 4PV
Pulley Dia: 110mm
Body # 447260-2480
Clutch # 248300-1780




CM5454
BMW 5 Series, E60, 540i, 545i, 550i, 10/03>

Model: 7SEU17C
Voltage: 12V
Pulley Type: 4PV
Pulley Dia: 110mm
Body # 447260-3190
Clutch # 248300-0990




CM5446
BMW 5 Series, E39, 535i, 540i, M5
11/95-5/04

Model: 7SBU16C
Voltage: 12V
Pulley Type: 5PV
Pulley Dia: 110mm
Body # 447220-8110
Clutch # 447300-7670



CM5527
BMW 5 Series, E39, 535i, 540i, 11/95-5/04

Model: 7SBU16C
Voltage: 12V
Pulley Type: 5PV
Pulley Dia: 110mm
Body # 447220-8760
Clutch # 447300-7670



CM5516

BMW 5 Series, E39, 520i, 523i, 525i
530i, 535i, 540i, M62 V8, 96>

Model: 7SBU16C
Voltage: 12V
Pulley Type: 6PV
Pulley Dia: 110mm
Body # 447260-0780
Clutch # 447300-7670



64526910458
Jayair: CM5516J

CM5563

BMW 5 Series, E39, 520i, 523i, 525i
528i, 530i, 530d, 1/95-5/04

Model: 7SBU16C
Voltage: 12V
Pulley Type: 5PV
Pulley Dia: 110mm
Body # 447220-8750
Clutch # 447300-7670

**CM5499**

BMW 5 Series, E39, 520i, 523i, 525i, 528i
525d, 11/95>

Model: 7SBU16C
Voltage: 12V
Pulley Type: 4PV
Pulley Dia: 110mm
Body # 447260-0780
Clutch # 247300-0990

**CM5471**

BMW 5 Series, E39, 1/98>

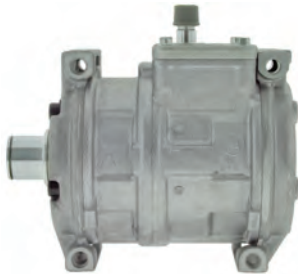
Model: 7SBU16C
Voltage: 12V
Pulley Type: 4PV
Pulley Dia: 125mm
Body # 447260-0780
Clutch # 447300-7680

**CM1798**

BMW 5 Series, E34, 530i, 535i, 540i, 90-96

Model: 10PA17C
Body # 447220-7660

Clutch to suit CL1461

**CM5564**

BMW 5 Series, E34, 530i, 535i, 540i, 90-96

Model: 10PA17C
Voltage: 12V
Pulley Type: 5PV
Pulley Dia: 115mm
Body # 447200-3070
Clutch # 447300-7400

**CM5559**

BMW 5 Series, E34, 525tds, 11/90-1/97

Model: 10PA17C
Voltage: 12V
Pulley Type: 4PV
Pulley Dia: 125mm
Body # 447200-3210
Clutch # 447300-7430

**CM5539**

BMW 5 Series, E34, 520i, 525i, 530i, 1/88-6/96

Model: 10PA17C
Voltage: 12V
Pulley Type: 5PV
Pulley Dia: 110mm
Body # 447200-3200
Clutch # 447300-7420



Jayair: CM5539J

CM1799

BMW 5 Series, E34, 518i, 4/89-10/95

Model: 10PA17C
Body # 447220-7670

Clutch to suit CL1462

**CM5669**

BMW 5 Series, E34, 518i, 4/89-10/95

Model: 10PA17C
Voltage: 12V
Pulley Type: 4PV
Pulley Dia: 126mm
Body # 447200-3190
Clutch # 447300-7410



CM5741
BMW 5 Series, 533i, 83-87

Model: BOSCH
Voltage: 12V
Pulley Type: 1A
Pulley Dia: 135mm



Remanufactured

CM5450
BMW 6 Series, E63, E64, 630i
645csi, 650csi, 9/04>
BMW 7 Series, E65, E66, 730i, 740i
745i, 750i, 1/05>

Model: 7SEU17C
Voltage: 12V
Pulley Type: 6PV
Pulley Dia: 110mm
Body # 447260-2450
Clutch # 248300-1230



CM5454
BMW 6 Series, E63, E64,
645i, 650i, 10/03>

Model: 7SEU17C
Voltage: 12V
Pulley Type: 4PV
Pulley Dia: 110mm
Body # 447260-3190
Clutch # 248300-0990



CM5421
BMW 7 Series, E65, E66, 735i,
740i, 745i, 750i, 760i 01>

Model: 7SEU17C
Voltage: 12V
Pulley Type: 4PV
Pulley Dia: 110mm
Body # 447260-3180
Clutch # 248300-0400



Jayair: CM5421J

CM5584
BMW 7 Series, E65, E66
730i, 730d, 6/02-8/08

Model: 7SEU17C
Voltage: 12V
Pulley Type: 4PV
Pulley Dia: 110mm
Body # 447260-2480
Clutch # 248300-1780



CM5446
BMW 7 Series, E38, 735i, 740i, 3/96-9/01

Model: 7SBU16C
Voltage: 12V
Pulley Type: 5PV
Pulley Dia: 110mm
Body # 447220-8110
Clutch # 447300-7670



CM5527
BMW 7 Series, E38, 735i, 11/95-9/01

Model: 7SBU16C
Voltage: 12V
Pulley Type: 5PV
Pulley Dia: 110mm
Body # 447220-8760
Clutch # 447300-7670



CM1798
BMW 7 Series, E38, 730d, 730i, 735i
740d, 740i 6/94-5/02
BMW 7 Series, E32, 730i, 740i
M60, V8, 92-93

Model: 10PA17C
Body # 447220-7660

Clutch to suit CL1463



CM5681
BMW 7 Series, E38, 730d, 730i, 735i, 740d, 740i 6/94-5/02

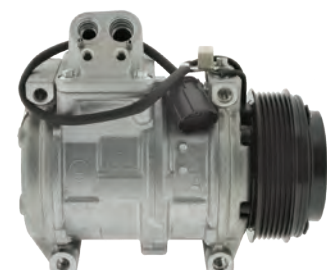
Model: 10PA17C
Voltage: 12V
Pulley Type: 5PV
Pulley Dia: 115mm
Body # 447200-3070
Clutch # 447300-7480



CM5662
BMW 7 Series, E38, 730, 740, 750i, 6/94>

Model: 10PA17C
Voltage: 12V
Pulley Type: 6PV
Pulley Dia: 115mm
Body # 447200-3210
Clutch # 447300-7500

64528367983



CM5516

BMW 7 Series, E38, 728i, 730d, 735i, 11/95>

Model: 7SBU16C
Voltage: 12V
Pulley Type: 6PV
Pulley Dia: 110mm
Body # 447260-0780
Clutch # 447300-7670



64526910458
Jayair: CM5516J

CM5499

BMW 7 Series, E38, 728i, 730d, 11/95>

Model: 7SBU16C
Voltage: 12V
Pulley Type: 4PV
Pulley Dia: 110mm
Body # 447260-0780
Clutch # 247300-0990

**CM5563**

BMW 7 Series, E38, 728i, 11/95-9/01

Model: 7SBU16C
Voltage: 12V
Pulley Type: 5PV
Pulley Dia: 110mm
Body # 447220-8750
Clutch # 447300-7670

**CM5471**

BMW 7 Series, E38, 2/96-5/00

Model: 7SBU16C
Voltage: 12V
Pulley Type: 4PV
Pulley Dia: 125mm
Body # 447260-0780
Clutch # 447300-7680

**CM5564**

BMW 7 Series, E32, 730i, 740i
M60, V8, 92-93
BMW 8 Series, E31, 830Ci, 840Ci
M60, V8, 90-96

Model: 10PA17C
Voltage: 12V
Pulley Type: 5PV
Pulley Dia: 115mm
Body # 447200-3070
Clutch # 447300-7400

**CM5539**

BMW 7 Series, E32, 730i, 3/91-5/94

Model: 10PA17C
Voltage: 12V
Pulley Type: 5PV
Pulley Dia: 110mm
Body # 447200-3200
Clutch # 447300-7420



Jayair: CM5539J

CM5741

BMW 7 Series, 733i, 83-87

Model: BOSCH
Voltage: 12V
Pulley Type: 1A
Pulley Dia: 135mm

**CM1798**BMW 8 Series, E31, 830Ci, 840Ci
M60, V8, 90-96

Model: 10PA17C
Body # 447220-7660

Clutch to suit CL1461

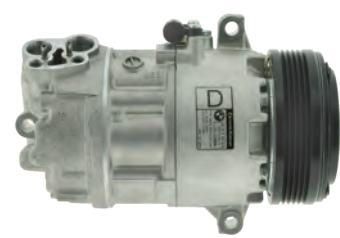
**CM5497**

BMW X3, E83, 3.0Lt Diesel, 7/04>

Model: 7SBU16C
Voltage: 12V
Pulley Type: 4PV
Pulley Dia: 110mm
Body # 447260-0780
Clutch # 247300-1000

**CM8752**BMW X3, E83, 2.0d, 04>
BMW X3, E85, 2.0d, 04>

Model: CSV613C
Voltage: 12V
Pulley Type: 6PV
Pulley Dia: 110mm



64526918752

CM5499
BMW X3, E83, 2.5, 3.0Lt, 04>

Model: 7SBU16C
Voltage: 12V
Pulley Type: 4PV
Pulley Dia: 110mm
Body # 447260-0780
Clutch # 247300-0990



CM5486
BMW X3, E83, 2.5, 3.0Lt, 04>

Model: 7SBU16C
Voltage: 12V
Pulley Type: 6PV
Pulley Dia: 110mm
Body # 447260-0450
Clutch # 247300-3720



CM5516
BMW X3, E83, 2.5, 3.0Lt, 10/03>

Model: 7SBU16C
Voltage: 12V
Pulley Type: 6PV
Pulley Dia: 110mm
Body # 447260-0780
Clutch # 447300-7670



64526910458
Jayair: **CM5516J**

CM5666
BMW X5, E70, 4.8Lt, 2/07-10/08

Model: CSE717C
Voltage: 12V
Pulley Type: 4PV
Pulley Dia: 110mm



64529185144

CM5598
BMW X5, E53, 3.0Lt, 7/00-10/06

Model: 10S17C
Voltage: 12V
Pulley Type: 5PV
Pulley Dia: 110mm
Body # 447220-3320
Clutch # 447300-8370



64528377067

CM5481
BMW X5, E53, 5/00>

Model: 10S17C
Voltage: 12V
Pulley Type: 6PV
Pulley Dia: 120mm
Body # 447220-3320
Clutch # 247300-0130



64526909628

CM5603
BMW X5, E53, 5/00-1/07

Model: CSV717
Voltage: 12V
Pulley Type: 4PV
Pulley Dia: 110mm



64526918000
Jayair: **CM5603J**

CM5488
BMW Z3

Model: SS120DL1
Voltage: 12V
Pulley Type: 5PV
Pulley Dia: 110mm



64528375319

CM8752
BMW Z4, E85, 2.2i, 2.5i, 3.0i, 3.0si, 03>

Model: CSV613C
Voltage: 12V
Pulley Type: 6PV
Pulley Dia: 110mm



64526918752

Cadillac/Case

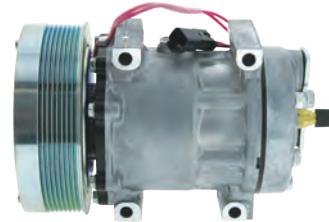
CM2104
Cadillac

Model: GMA6
Voltage: 12V
Pulley Type: 2A
Pulley Dia: 130mm



CM4840
Case

Model: SD7H15
Model # 4302
Voltage: 24V
Pulley Type: 8PV
Pulley Dia: 153mm
Head: GK



Heavy Duty
Sealed Clutch

CM4768
Case

Model: SD7H15
Model # 4499
Voltage: 12V
Pulley Type: 8PV
Pulley Dia: 153mm
Head: MD



Replaces: 4768
Heavy Duty
Sealed Clutch

CM8046
Case Tractor

Model: SD7H15E
Model # 4046
Voltage: 12V
Pulley Type: 8PV
Pulley Dia: 119mm
Head: KF



Enhanced

CM8047
Case Tractor

Model: SD7H15
Model # SIO-513
Voltage: 12V
Pulley Type: 8PV
Pulley Dia: 119mm
Head: KG



CM8489
Case Tractor
Case Wheel Loader 621 DXT

Model: SD7H15
Model # 4489
Voltage: 24V
Pulley Type: 2A
Pulley Dia: 152mm
Head: MD



Heavy Duty
Sealed Clutch

CM7480
Case Tractor

Model: SD7H15
Model # 4480
Voltage: 12V
Pulley Type: 1A
Pulley Dia: 138mm
Head: KC



Replaces: 4661

CM4609
Case Tractor

Model: SD7H15
Model # 4478
Voltage: 12V
Pulley Type: 2A
Pulley Dia: 152mm
Head: MD



Replaces: 4609
Heavy Duty
Sealed Clutch

CM4479
Caterpillar

Model: SD7H15
Model # 4479
Voltage: 24V
Pulley Type: 1A
Pulley Dia: 152mm
Head: GK



Replaces: 4640
Heavy Duty
Dust Cover

Caterpillar

CM8375
Caterpillar

Model: TM08B
Voltage: 24V
Pulley Type: 2A
Pulley Dia: 125mm



CM8608
Caterpillar

Model: SD7H15
Model # 4608
Voltage: 12V
Pulley Type: 1A
Pulley Dia: 138mm
Head: GK



Replaces: 8109
Heavy Duty
Sealed Clutch

CM1856
Caterpillar

Model: 10S17C
Voltage: 24V
Pulley Type: 1A
Pulley Dia: 133mm
Body # 447260-6120
Clutch # 247300-2800



Dust Cover
24577-81

CM1879
Caterpillar

Model: 10S17C
Voltage: 24V
Pulley Type: 1A
Pulley Dia: 133mm
Body # 447220-3840
Clutch # 247300-2800



Dust Cover
23169-84

CM4624
Caterpillar

Model: SD7H15
Model # 4604
Voltage: 24V
Pulley Type: 1A
Pulley Dia: 138mm
Head: GK



Heavy Duty
Sealed Clutch

CM1190
Caterpillar, 307C

Model: MSC90T
Voltage: 24V
Pulley Type: 1C
Pulley Dia: 125mm



CC09096

CM1886
Caterpillar 311, 330

Model: 10PA15C
Voltage: 24V
Pulley Type: 1A
Pulley Dia: 138mm
Body # 447200-0240
Clutch # 447300-8140



Dust Cover

CM5348
Caterpillar 311, 330, 350, 360

Model: 10PA15C
Body # 447200-0246



Clutch to suit CL1432
CL1436 or CL1441

CM5346
Caterpillar 350, 360

Model: 10PA15C
Voltage: 24V
Pulley Type: 1A
Pulley Dia: 152mm
Body # 447200-0246
Clutch # 447300-5170



Dust Cover

CM4769
Caterpillar Articulated Truck
Caterpillar Grader
Caterpillar Wheel Loader 966G

Model: SD7H15
Model # 4301
Voltage: 24V
Pulley Type: 8PV
Pulley Dia: 133mm



Replaces: 4769
Sealed Clutch
163-0872

CM5379
Caterpillar

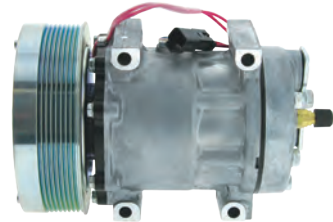
Model: 10S17C
Voltage: 24V
Pulley Type: 8PV
Pulley Dia: 140mm
Body # 447260-8390
Clutch # 247300-2810



24577-79

CM4840
Caterpillar CS56 Compactor, 955C, 963C
Track Loader, 930H, 990H
Wheel Loader

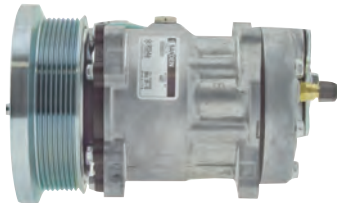
Model: SD7H15
Model # 4302
Voltage: 24V
Pulley Type: 8PV
Pulley Dia: 153mm
Head: GK



Heavy Duty
Sealed Clutch

CM8487
Caterpillar Wheel Loader 980G, 980H

Model: SD7H15
Model # 4487
Voltage: 24V
Pulley Type: 8PV
Pulley Dia: 133mm
Head: GK



Replaces: 4726
Heavy Duty
Sealed Clutch

CM5388
Caterpillar

Model: 10S17C
Voltage: 24V
Pulley Type: 8PV
Pulley Dia: 140mm
Body # 447260-8390
Clutch # 247300-4600



25972-43

**Chevrolet/
Chrysler/Citroen**

CM1343
Chevrolet

Model: R4
Voltage: 12V
Pulley Type: 6PV
Pulley Dia: 110mm



Remanufactured
1134343

CM1344
Chevrolet Camaro, 3.1 V6, 5.7Lt V8, 92>

Model: R4
Voltage: 12V
Pulley Type: 6PV
Pulley Dia: 177mm



1134344

CM6550
Chevrolet Corvette, 6.0Lt, 05-11

Model: CVC
Voltage: 12V
Pulley Type: 4PV
Pulley Dia: 125mm



10303644
4265003252

CM7027
Chevrolet Silverado, 6.6Lt Diesel, 99-02

Model: HT6
Voltage: 12V
Pulley Type: 6PV
Pulley Dia: 108mm



Picture unavailable at time of printing
refer www.cooldrive.com.au

CM7028
Chevrolet Silverado, 4.3Lt V6 Petrol, 03-04
Chevrolet Silverado, 6.6Lt Turbo Diesel, 03-04

Model: 10S17F
Voltage: 12V
Pulley Type: 6PV
Pulley Dia: 110mm
Body # 447220-4360



CM6559
Chevrolet Suburban
5.7 & 7.4Lt, 96-02


Model: H6
Voltage: 12V
Pulley Type: 6PV
Pulley Dia: 125mm



1136559, 1136582

CM1351
Chevrolet Suburban, Early model GMC Truck
5.7 & 7.4Lt, 88-92

Model: R4
Voltage: 12V
Pulley Type: 6PV
Pulley Dia: 114mm



1131331


CM5643
Chrysler Neon, 2.0Lt, 7/96-8/99

Model: 10PA17C
Voltage: 12V
Pulley Type: 1A
Pulley Dia: 143mm
Body # 447220-7200
Clutch # 447300-5110



CM5705
Chrysler PT Cruiser, 2.4Lt, 01>

Model: 10S15C
Voltage: 12V
Pulley Type: 4PV
Pulley Dia: 128mm
Body # 447220-3826
Clutch # 247300-0790



CM5646
Chrysler PT Cruiser, 2.0, 2.4Lt, 6/00>


Model: 10S17C
Voltage: 12V
Pulley Type: 6PV
Pulley Dia: 120mm
Body # 447220-4280
Clutch # 247300-0730



A0012303711


CM5561
Chrysler Voyager, 2.4Lt, 10/95-9/00
Chrysler Grand Voyager, 2.4Lt, 10/95-9/00

Model: 10PA17C
Voltage: 12V
Pulley Type: 6PV
Pulley Dia: 135mm
Body # 447220-7180
Clutch # 447300-7130



CM5644
Chrysler Voyager, 3.3Lt, 01>


Model: 10S20H
Voltage: 12V
Pulley Type: 6PV
Pulley Dia: 130mm
Body # 447220-5000
Clutch # 447300-9470



05005441AF

CM5872
Chrysler Grand Voyager, 4cyl, V6, 97>


Model: 10PA17J
Voltage: 12V
Pulley Type: 6PV
Pulley Dia: 125mm
Body # 447200-5670
Clutch # 447300-7800



1201246
4677156

CM5645
Chrysler Voyager, 3.3Lt V6, 96-00

Model: 10PA17J
Voltage: 12V
Pulley Type: 6PV
Pulley Dia: 125mm
Body # 447200-5660
Clutch # 447300-7800



Jayair: CM5645J

CM1510
Citroen Berlingo, 1.4Lt, 97>
Citroen Xsara, 1.6Lt, 98-05

Model: SD7V12
Model # 1500
Voltage: 12V
Pulley Type: 5PV
Pulley Dia: 119mm
Head: VR



6543N1

CM1438

Citroen C2, 1.6Lt DOHC, 06-08
Citroen C3, 1.4Lt SOHC, 1.6Lt DOHC, 02>

Model: SD6V12
Model # 1940
Voltage: 12V
Pulley Type: 6PV
Pulley Dia: 119mm
Head: VEB



3 x Mounting Lugs
Replaces: 1438, 1449, 1926
Replaces OE 4 Lug

CM1350

Citroen C4, 4/05>

Model: SD6C12
Model # 1364
Voltage: 12V
Pulley Type: 6PV
Pulley Dia: 119mm



3 x Mounting Lugs

CM1353

Citroen C4, 9/04>

Model: SD6C12
Model # 1365
Voltage: 12V
Pulley Type: 6PV
Pulley Dia: 119mm
Head: VHB / CHB



Picture unavailable at time of printing
refer www.cooldrive.com.au

Replaces: 1350, 1356, 1361

CM1352

Citroen C4
Citroen C5
Citroen C8

Model: SD7V16
Model # 1240
Voltage: 12V
Pulley Type: 6PV
Pulley Dia: 119mm
Head: VTA



Replaces: 1228

CM1318

Citroen C5, 2.0Lt Hdi 4 cyl Diesel, 07-08

Model: SD7C16
Model # 1318
Voltage: 12V
Pulley Type: 6PV
Pulley Dia: 119mm
Head: CRN

**CM1322**

Citroen C5, 3.0Lt, 00-04

Model: SD7V16
Model # 1243
Voltage: 12V
Pulley Type: 6PV
Pulley Dia: 120mm

**CM1209**

Citroen C5, ES9J4S, 6 cyl, Injected
Citroen Xantia, Series I & II, 6 cyl
Citroen XM, Series II

Model: SD7V16
Model # 1209
Voltage: 12V
Pulley Type: 6PV
Pulley Dia: 120mm
Head: VSA

**CM7854**

Citroen Xantia, Series 1, 2.0Lt 4 cyl, 9/94>

Model: SD7H15
Model # 7854
Voltage: 12V
Pulley Type: 6PV
Pulley Dia: 119mm
Head: SK

**CM1227**

Citroen Xantia
Citroen Xsara, 99-04

Model: SD7V16
Model # 1227
Voltage: 12V
Pulley Type: 6PV
Pulley Dia: 119mm
Head: VQU



Replaces: 1106, 1228

CM1352

Citroen Xsara, 99>

Model: SD7V16
Model # 1240
Voltage: 12V
Pulley Type: 6PV
Pulley Dia: 119mm
Head: VTA



Replaces: 1228

Claas/Daewoo

CM5631
Claas Agricultural

Model: 10PA15C
Voltage: 12V
Pulley Type: 8PV
Pulley Dia: 120mm
Body # 447200-2690
Clutch # 247300-5510



CM5761
Claas Combine, Agricultural

Model: 10PA15C
Voltage: 12V
Pulley Type: 8PV
Pulley Dia: 130mm
Body # 447220-7920
Clutch # 247300-0900



CM5762
Claas Combine, Agricultural

Model: 10PA15C
Voltage: 24V
Pulley Type: 11PV
Pulley Dia: 130mm
Body # 447200-0010
Clutch # 247300-0370



Picture unavailable at time of printing
refer www.cooldrive.com.au

CM5763
Claas Combine, Agricultural

Model: 7SBU16C
Voltage: 12V
Pulley Type: 9PV
Pulley Dia: 130mm
Body # 447260-1800
Clutch # 247300-1510



CM5638
Claas Renault Tractor, 99>

Model: 10PA15C
Voltage: 12V
Pulley Type: 8PV
Pulley Dia: 120mm
Body # 447200-1600
Clutch # 247300-5510



7700042614

CM2505
Daedong Agricultural

Model: SP10
Voltage: 12V
Pulley Type: 1A
Pulley Dia: 121mm



717114

CM1815
Daewoo Cielo, 1.5Lt, 94>
Daewoo Espero, 1.5Lt, 94>

Model: V5
Voltage: 12V
Pulley Type: 1A
Pulley Dia: 130mm



Seals: OR9885 x 2
96191807

CM1849
Daewoo Cielo, 1.5Lt
Daewoo Espero, 1.5Lt

Model: V5
Voltage: 12V
Pulley Type: 1A
Pulley Dia: 131mm



5110507, 5110577
1135106

CM1817
Daewoo Cielo Hatchback, 1.5Lt

Model: V5
Voltage: 12V
Pulley Type: 1A
Pulley Dia: 131mm



5110394, 714968

CM1824

Daewoo Lanos KD-KL, 6/98-10/00

Model: V5
Voltage: 12V
Pulley Type: 1A
Pulley Dia: 131mm



96291299, 96274629
 96291294

CM1816

Daewoo Lanos KA-KC, 8/97-3/03

Model: V5
Voltage: 12V
Pulley Type: 1A
Pulley Dia: 130mm



Seals: OR9885 x 2
 700653, 700696
 96245943, 96255980

CM5312

Daewoo Leganza

Model: V5
Voltage: 12V
Pulley Type: 6PV
Pulley Dia: 131mm



Requires PR5312
 (clutch wire extension)
 1135312, 1135349, 1131909
 Jayair: **CM5312J**

CM1925

Daewoo Matiz, 10/99-1/05

Model: SP10
Voltage: 12V
Pulley Type: 4PV
Pulley Dia: 110mm



96528118

CM1845

Daewoo Nubira, Series 1 & 2, 6/97-5/03

Model: V5
Voltage: 12V
Pulley Type: 6PV
Pulley Dia: 113mm



Seals: OR9885 x 2
 96394713, 96271359
 96271361

CM1920

Daewoo Solar V Excavator Doowon

Model: 10PA15C
Voltage: 24V
Pulley Type: 4PV
Pulley Dia: 132mm



Daf/Daihatsu

CMA929

Daf Truck

Model: SD7H15
Model # A929
Voltage: 24V
Pulley Type: 2A
Pulley Dia: 132mm
Head: US



Picture unavailable at time of printing
 refer www.cooldrive.com.au

1685170

CM8231

Daf Truck CF85, XF105

Model: SD7H15
Model # 8231
Voltage: 12V
Pulley Type: 8PV
Pulley Dia: 140mm



Picture unavailable at time of printing
 refer www.cooldrive.com.au

1685170

CM1689

Daihatsu Cuore L700S, 7/00-9/03

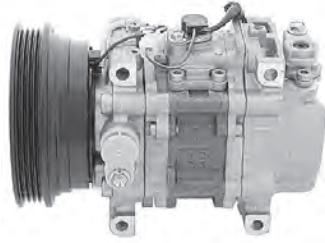
Model: SC06E
Voltage: 12V
Pulley Type: 1A
Pulley Dia: 111mm
Body # 447200-9900
Clutch # 447300-7550



CM1614

Daihatsu Applause, 9/97-5/00

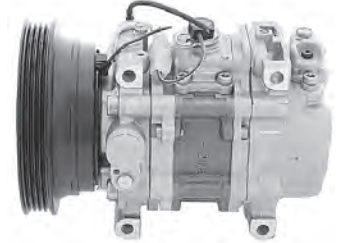
Model: TV12C
Voltage: 12V
Pulley Type: 4PV
Pulley Dia: 126mm
Body # 442500-2730
Clutch # 447300-0920



CM1604

Daihatsu Applause, 10/93-9/97

Model: TV14C
Voltage: 12V
Pulley Type: 4PV
Pulley Dia: 130mm
Body # 442500-4590
Clutch # 447300-2460



CM1720

Daihatsu Applause, 10/89-9/93

Model: TV14C
Voltage: 12V
Pulley Type: 4PV
Pulley Dia: 130mm
Body # 142500-4630
Clutch # 047300-9341



CM1664

Daihatsu Centro L500, 0.7Lt, 3/95>

Model: SV07E
Voltage: 12V
Pulley Type: 1A
Pulley Dia: 120mm
Body # 447260-5570
Clutch # 247300-1612



CM1689

Daihatsu Charade, 03>

Model: SC06E
Voltage: 12V
Pulley Type: 1A
Pulley Dia: 111mm
Body # 447200-9900
Clutch # 447300-7550



CM5360

Daihatsu Charade L251, 1.0Lt, 03>

Model: SV07E
Voltage: 12V
Pulley Type: 1A
Pulley Dia: 123mm
Body # 447220-6771
Clutch # 247300-2320



CM1610

Daihatsu Charade G202, G203, 1.5Lt, 2/93>

Model: TV10CB
Voltage: 12V
Pulley Type: 4PV
Pulley Dia: 135mm
Body # 442500-1650
Clutch # 447300-1150



CM1609

Daihatsu Charade G200, 1.3Lt, 6/94>

Model: TV10CB
Voltage: 12V
Pulley Type: 4PV
Pulley Dia: 126mm
Body # 442500-1650
Clutch # 447300-1140

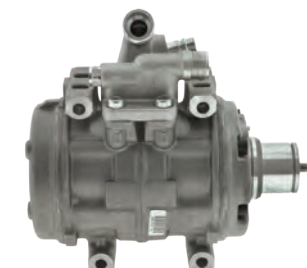


CM1749

Daihatsu Delta, 8/94>

Model: 10P15C
Body # 447200-8450

CM1634 For Assy



CM1634

Daihatsu Delta, 8/94>

Model: 10P15C
Voltage: 12V
Pulley Type: 1A
Pulley Dia: 123mm
Body # 447200-8450
Clutch # 447300-4220

CM1749 For Bare Comp



CM1748

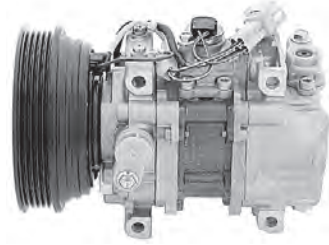
Daihatsu Delta, Diesel, 8/94>

Model: 10P13C
Body # 447200-8440

**CM1612**

Daihatsu Feroza F300, 9/93>

Model: TV10CB
Voltage: 12V
Pulley Type: 5PV
Pulley Dia: 120mm
Body # 442500-1660
Clutch # 447300-2470



Auto Transmission
 Power Steering

CM1721

Daihatsu Feroza F300, 8/89-93

Model: TV10CB
Voltage: 12V
Pulley Type: 5PV
Pulley Dia: 125mm
Body # 142500-1260
Clutch # 047300-6920



Power Steering

CM1689

Daihatsu Handivan L701, 86-93

Model: SC06E
Voltage: 12V
Pulley Type: 1A
Pulley Dia: 111mm
Body # 447200-9900
Clutch # 447300-7550



AF9014 required for R12

CM1664Daihatsu Mira
Daihatsu Move L601, 0.8Lt, 2/97-12/98

Model: SV07E
Voltage: 12V
Pulley Type: 1A
Pulley Dia: 120mm
Body # 447260-5570
Clutch # 247300-1612

**CM1610**

Daihatsu Pyzar G301, G303, 2/97>

Model: TV10CB
Voltage: 12V
Pulley Type: 4PV
Pulley Dia: 135mm
Body # 442500-1650
Clutch # 447300-1150

**CM1766**

Daihatsu Sirion, 1.3Lt, 02>

Model: SC06E
Voltage: 12V
Pulley Type: 4PV
Pulley Dia: 110mm
Body # 447200-9900
Clutch # 247300-0100

**CM1689**

Daihatsu Sirion, 4/98>

Model: SC06E
Voltage: 12V
Pulley Type: 1A
Pulley Dia: 111mm
Body # 447200-9900
Clutch # 447300-7550

**CM5356**

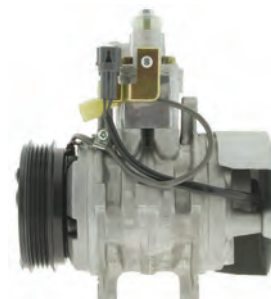
Daihatsu Sirion, K3, 98>

Model: SV07C
Voltage: 12V
Pulley Type: 4PV
Pulley Dia: 94mm
Body # 447260-5550
Clutch # 247300-5031

**CM5358**


Daihatsu Terios, J100, J102, 6/97-05

Model: 10P08E
Voltage: 12V
Pulley Type: 4PV
Pulley Dia: 105mm
Body # 447220-0315
Clutch # 447300-6763



CM1766
Daihatsu YRV, 1.3Lt, 01>


Model: SC06E
Voltage: 12V
Pulley Type: 4PV
Pulley Dia: 110mm
Body # 447200-9900
Clutch # 247300-0100



**Daimler/Dodge/
Fendt/Fiat**

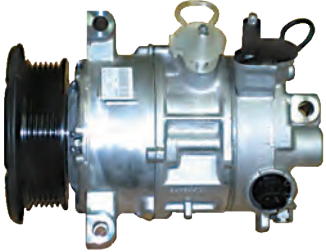
CM5640
Daimler, 4.0Lt V8, 10/97-8/05

Model: 10PA17C
Voltage: 12V
Pulley Type: 7PV
Pulley Dia: 125mm
Body # 447200-5420
Clutch # 447300-5380



CM5789
Dodge Caliber PM, 2.4Lt, 10/06-8/10


Model: 5SE12C
Voltage: 12V
Pulley Type: 6PV
Pulley Dia: 112mm
Body # 447260-2671



5058228AE

CM4692
Dodge Nitro, 07>


Model: DKS17DS
Voltage: 12V
Pulley Type: 6PV
Pulley Dia: 119mm



55111412AE

CM5837
Dodge Nitro, 3.7Lt V6, 07>

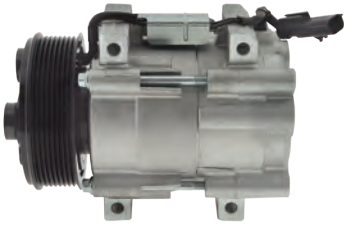
Model: HS18
Voltage: 12V
Pulley Type: 6PV
Pulley Dia: 120mm



55111400AA / AB / AC

CM5745
Dodge Ram, 5.9Lt Diesel, 06-08


Model: HS18
Voltage: 12V
Pulley Type: 8PV
Pulley Dia: 116mm



55111411AD

CM5455
Fendt Farmer 200


Model: 10P15C
Voltage: 12V
Pulley Type: 1A
Pulley Dia: 125mm
Body # 047200-8870
Clutch # 0473MB-6160



Picture unavailable at time of printing
refer www.cooldrive.com.au


CM5782
Fendt Tractor

Model: 10S15C
Voltage:
Pulley Type:
Pulley Dia:
Body # 447220-3540
Clutch # 247300-2780



CM1150
Fiat

Model: SD7V16
Model # 1150
Voltage: 12V
Pulley Type: 6PV
Pulley Dia: 125mm
Head: VPB



CM5760
Fiat Stilo, 1.9Lt, 10/01>

Model: 5SL12C-J
Voltage: 12V
Pulley Type: 6PV
Pulley Dia: 130mm
Body # 447220-8640
Clutch # 247300-6250



CM7882
Fiat Ducato, 2.8Lt Turbo Diesel, 3/02>

Model: SD7H15
Model # 7882
Voltage: 12V
Pulley Type: 5PV
Pulley Dia: 117mm
Head: MH



CM7883
Fiat Ducato, 2.3Lt Turbo Diesel, 11/05>

Model: SD7V16
Model # 1178
Voltage: 12V
Pulley Type: 4PV
Pulley Dia: 112mm



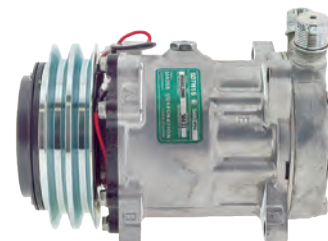
CM5750
Ford Courier, 03>

Model: HS15
Voltage: 12V
Pulley Type: 1A
Pulley Dia: 142mm



CM7863
Ford Courier PC-PE, 94>
Ford Econovan

Model: SD7H15
Model # 8031
Voltage: 12V
Pulley Type: 2A
Pulley Dia: 132mm
Head: JE



Jayair: CM7863J

CM5744
Ford Escape, V6, 01-07

Model: FS10, SE10D17
Voltage: 12V
Pulley Type: 6PV
Pulley Dia: 127mm



Replaces Y18H19D629E8

CM5746
Ford Escape ZB, 2.3Lt V6, 1/04-5/06

Model: HS18
Voltage: 12V
Pulley Type: 6PV
Pulley Dia: 118mm



6L8419D629DB

CM0002
Ford Explorer, 4.0Lt, 6 cyl, 96>

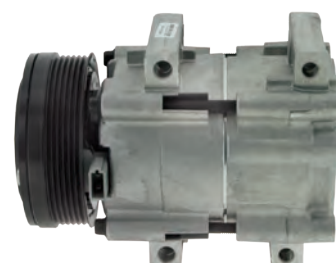
Model: FS10
Voltage: 12V
Pulley Type: 6PV
Pulley Dia: 125mm



No oil in comp
Use OG1010 200ml
Jayair: CM0002J

CM1200
Ford F150

Model: FS10
Voltage: 12V
Pulley Type: 6PV
Pulley Dia: 130mm



CM1204
Ford F150

Model: FS10
Voltage: 12V
Pulley Type: 6PV
Pulley Dia: 113mm



Jayair Brand

CM1202
Ford F250, 2/01>

Model: FS10
Voltage: 12V
Pulley Type: 6PV
Pulley Dia: 127mm



F75H19D629AA

CM1210
Ford F250, 7.3Lt Diesel

Model: FS10
Voltage: 12V
Pulley Type: 8PV
Pulley Dia: 127mm



10160010020
YCH19D629AA

CM5770
Ford Falcon FG MKII, 4.0Lt 6 cyl, 11/11>

Model: DKS17DT
Voltage: 12V
Pulley Type: 6PV
Pulley Dia: 119mm



CM5771
Ford Falcon FG MKII, 2.0Lt 4 cyl, 3/12>

Model: DKS15DT
Voltage: 12V
Pulley Type: 6PV
Pulley Dia: 119mm



CM5772
Ford Falcon FG MKII, 5.0Lt V8, 11/11>

Model: DKS17DS
Voltage: 12V
Pulley Type: 8PV
Pulley Dia: 110mm



CM1857
Ford Falcon FG, XR6, 4.0Lt 6 cyl, 4/08>

Model: 10S17C
Voltage: 12V
Pulley Type: 6PV
Pulley Dia: 125mm
Body # 447280-0360
Clutch # 247300-1110



CM1858
Ford Falcon FG, XR8, 5.4Lt V8, 4/08>

Model: 10S17C
Voltage: 12V
Pulley Type: 6PV
Pulley Dia: 125mm
Body # 447280-0370
Clutch # 247300-1120



CM1760
Ford Falcon BA, BAll, BF, BFII, XR6, 4.0Lt, 9/02-4/08

Model: 10S17C
Voltage: 12V
Pulley Type: 6PV
Pulley Dia: 120mm
Body # 447220-4540
Clutch # 247300-1110



Jayair: CM1760J

CM1759
Ford Falcon BA, BAll, BF, BFII, XR8, 5.4Lt V8, 9/02-4/08

Model: 10S17C
Voltage: 12V
Pulley Type: 6PV
Pulley Dia: 120mm
Body # 447220-4550
Clutch # 247300-1120



CM1200

Ford Falcon AU, 6 & 8 cyl

Model: FS10
Voltage: 12V
Pulley Type: 6PV
Pulley Dia: 130mm



CM1204

Ford Falcon AU, 6 & 8 cyl

Model: FS10
Voltage: 12V
Pulley Type: 6PV
Pulley Dia: 113mm

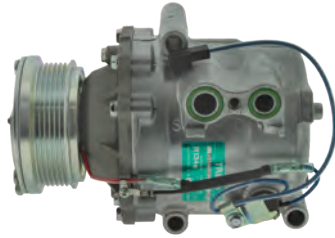


Jayair Brand

CM3305

Ford Falcon ED, EF, EL, 6 cyl, 94-99
Ford Falcon XH Ute, 6 cyl
Ford Fairlane NF, NL, 6 cyl, 94-99
Ford LTD DF, DL, 94-98

Model: TRS105
Model # 3305
Voltage: 12V
Pulley Type: 6PV
Pulley Dia: 95mm
Head: Q



CM3304

Ford Falcon EB, ED, EF, EL, V8, 94-99
Ford Fairlane NF, NL, V8, 94-99

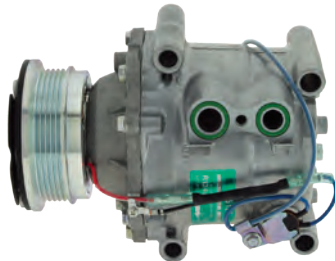
Model: TRS105
Model # 3304
Voltage: 12V
Pulley Type: 6PV
Pulley Dia: 95mm
Head: P



CM3301

Ford Falcon EA, EB, EBII, ED, 6 cyl, 88-93
Ford Fairlane NA, NC, 6 cyl, 88-93
Ford LTD DA, DC, 88-93

Model: TRS105
Model # 3301
Voltage: 12V
Pulley Type: 5PV
Pulley Dia: 95mm
Head: J



AF9004 required for EA/EB

CM3212

Ford Falcon XF, 6 cyl, 85-89
Ford Fairlane ZL, 6 cyl, 84-88

Model: TRS105
Model # 3212
Voltage: 12V
Pulley Type: 1A
Pulley Dia: 92mm
Head: S



Use Belt DB5370

CM1237

Ford Falcon XD, XE, V8

Model: York 210



LH Suction

CM1924

Ford Falcon XA-XE
Ford Fairlane ZH, ZK
Ford LTD FD, V8

Model: York 210



RH Suction

CM5693

Ford Fiesta, 1.4, 1.6Lt, 08>

Model: Scroll 90v
Voltage: 12V
Pulley Type: 6PV
Pulley Dia: 97mm

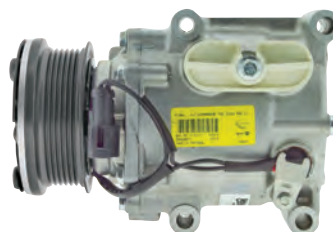


8V5119D629EF

CM1216

Ford Fiesta, 97>
Ford Focus, 98-05

Model: SC
Voltage: 12V
Pulley Type: 6PV
Pulley Dia: 97mm



1066927

CM8377

Ford Focus XR5 Turbo, 11/06>

Model: DKS17D
Voltage: 12V
Pulley Type: 10PV
Pulley Dia: 119mm



3M5H19D629MK
 Jayair: **CM8377J**

CM1217

Ford Focus LS, LT, LV, inc Cabriolet, 1.6, 2.0Lt, 5/06>

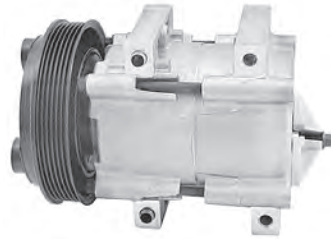
Model: VS16
Voltage: 12V
Pulley Type: 5PV
Pulley Dia: 110mm



CM1006

Ford KA, 1.3Lt, 11/99-12/03

Model: FS10
Voltage: 12V
Pulley Type: 6PV
Pulley Dia: 145mm

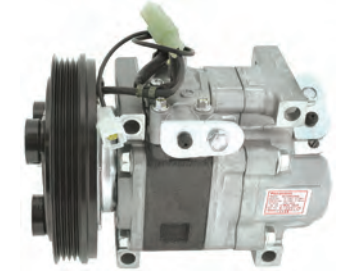


Jayair: **CM1006J**

CM5067

Ford Laser KN, KQ, 99>

Model: Panasonic
Voltage: 12V
Pulley Type: 4PV
Pulley Dia: 140mm

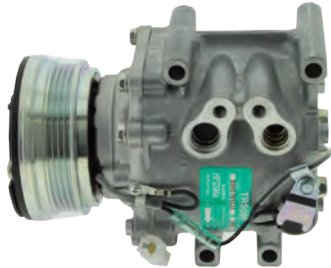


Remanufactured
 H12A0AH4EL

CM3005

Ford Laser KJ, Series 2, 11/95>

Model: TRS090
Model # 3098
Voltage: 12V
Pulley Type: 4PV
Pulley Dia: 95mm
Head: D



Replaces: 3005

CM5054

Ford Laser KH, 1.6Lt

Model: Panasonic
Voltage: 12V
Pulley Type: 5PV
Pulley Dia: 125mm



SA11A1AA4PN

CM5709

Ford Mondeo MA MB, 1.8 2.0Lt Turbo Diesel, 3/07-10/10

Model: VS16
Voltage: 12V
Pulley Type: 6PV
Pulley Dia: 110mm



Picture unavailable at time of printing
 refer www.cooldrive.com.au

CM5609

Ford Mondeo, XR5 Turbo 2.5Lt, 10/07>

Model: DCS17EC
Voltage: 12V
Pulley Type: 5PV
Pulley Dia: 110mm



6G9N19D623EE

CM1011

Ford Mondeo, 2.0Lt, 5/99>

Model: Scroll 90v
Voltage: 12V
Pulley Type: 6PV
Pulley Dia: 96mm



CM1019

Ford Mondeo, 2.0Lt, 95-4/99

Model: FS10
Voltage: 12V
Pulley Type: 6PV
Pulley Dia: 145mm



Manual Transmission

CM1009

Ford Mondeo, 2.0Lt, 95-4/99

Model: FS10
Voltage: 12V
Pulley Type: 6PV
Pulley Dia: 125mm

**CM5744**

Ford Mustang 06>

Model: FS10, SE10D17
Voltage: 12V
Pulley Type: 6PV
Pulley Dia: 127mm

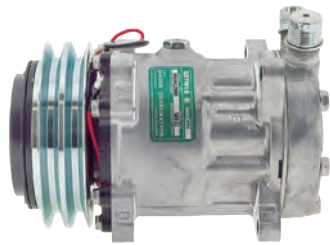


replaces Y18H19D629E8

CM7863

Ford Raider, 2.6Lt, 7/95>

Model: SD7H15
Model # 8031
Voltage: 12V
Pulley Type: 2A
Pulley Dia: 132mm
Head: JE



Jayair: CM7863J

CM5750

Ford Ranger, 2.5, 3.0Lt Diesel 4/09>

Model: HS15
Voltage: 12V
Pulley Type: 1A
Pulley Dia: 142mm

**CM0001**

Ford Taurus, 3.0Lt, 96>

Model: FS10
Voltage: 12V
Pulley Type: 6PV
Pulley Dia: 127mm



No oil in comp
 Use OG1010 200ml

CM5605

Ford Telstar AX, 2.5Lt, 1/92-8/94

Model: Panasonic
Voltage: 12V
Pulley Type: 5PV
Pulley Dia: 138mm

**CM1760**

Ford Territory, SX, SY Series 1 & 2, 4.0Lt 6 cyl, 4/04-4/11

Model: 10S17C
Voltage: 12V
Pulley Type: 6PV
Pulley Dia: 120mm
Body # 447220-4540
Clutch # 247300-1110



Jayair: CM1760J

CM5770

Ford Territory SZ, 4.0Lt 6 cyl, 5/11>

Model: DKS17DT
Voltage: 12V
Pulley Type: 6PV
Pulley Dia: 119mm

**CM5773**

Ford Territory SZ, 2.7Lt Turbo Diesel 6 cyl, 5/11>

Model: DKS17DT
Voltage: 12V
Pulley Type: 6PV
Pulley Dia: 110mm

**CM3206**

Ford Trader, 3.5, 4.0Lt, 93>

Model: TRS105
Model # 3206
Voltage: 12V
Pulley Type: 1A
Pulley Dia: 92mm
Head: E



CM7888
Ford Trader, 4.0Lt, 89-93

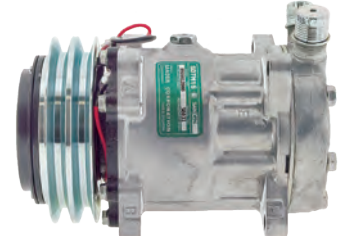
Model: SD7H15
Model # 7866
Voltage: 24V
Pulley Type: 2A
Pulley Dia: 132mm
Head: JE



Replaces: 8042
Dust Cover
Jayair: CM7888J

CM7863
Ford Trader, 3.0, 3.5Lt, 79-93

Model: SD7H15
Model # 8031
Voltage: 12V
Pulley Type: 2A
Pulley Dia: 132mm
Head: JE



Jayair: CM7863J

CMA930
Ford Trader

Model: SD7H15
Model # 8130A
Voltage: 12V
Pulley Type: 1B
Pulley Dia: 146mm
Head: US



CM1907
Ford Transit, 2.2Lt TDCI, 7/06>

Model: VS16
Voltage: 12V
Pulley Type: 6PV
Pulley Dia: 129mm



6C1119497AA / AB

CM1908
Ford Transit, 2.4Lt TDCI, 7/06>

Model: SC
Voltage: 12V
Pulley Type: 7PV
Pulley Dia: 130mm



CM1017
Ford Transit, 2.4Lt Diesel, 01>

Model: FS10
Voltage: 12V
Pulley Type: 8PV
Pulley Dia: 129mm



YC1H19B629AB
Jayair: CM1017J

CM1012
Ford Transit, All IV & V

Model: FS10
Voltage: 12V
Pulley Type: 6PV
Pulley Dia: 147mm



97VW19D629AA

CM1216
Ford Transit, 1.8Lt TDCI

Model: SC
Voltage: 12V
Pulley Type: 6PV
Pulley Dia: 97mm



1066927

CM8602
Ford Truck

Model: SD7H15
Model # 4602AFT
Voltage: 12V
Pulley Type: 1A
Pulley Dia: 169mm
Head: WH



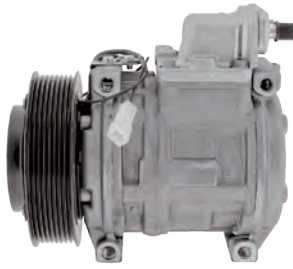
Picture unavailable at time of printing
refer www.cooldrive.com.au

Replaces: 4470

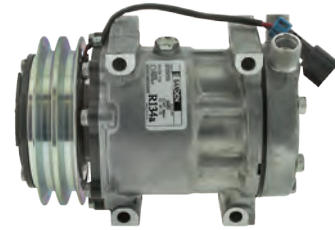
Franna Crane/
Freightliner/GMC

CM5464
Franna Crane

Model: 10PA15C
Voltage: 24V
Pulley Type: 8PV
Pulley Dia: 130mm
Body # 447200-0014
Clutch # 447300-4960

**CM8491**
Freightliner

Model: SD7H15
Model # 4491
Voltage: 12V
Pulley Type: 2A
Pulley Dia: 132mm
Head: JD



Replaces: 4752

CM8075
Freightliner

Model: SD7H15SHD
Model # 4075
Voltage: 12V
Pulley Type: 8PV
Pulley Dia: 119mm
Head: GH



ABPN83304543S

CM8548
Freightliner

Model: SD7H15
Model # 4548
Voltage: 12V
Pulley Type: 8PV
Pulley Dia: 119mm
Head: WH

**CM8802**
Freightliner

Model: SD7H15SHD
Model # 4802
Voltage: 12V
Pulley Type: 8PV
Pulley Dia: 140mm
Head: NSS



Super Heavy Duty

CM8687
Freightliner

Model: SD7H15
Model # 4687
Voltage: 12V
Pulley Type: 6PV
Pulley Dia: 125mm
Head: CBA

**CM8482**
Freightliner

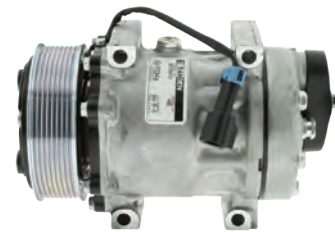
Model: SD7H15
Model # 4482
Voltage: 12V
Pulley Type: 8PV
Pulley Dia: 119mm
Head: MD



Replaces: 4776

CM8485
Freightliner

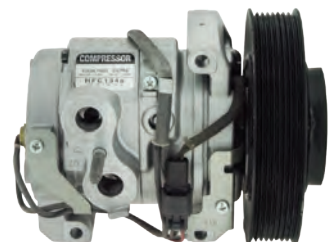
Model: SD7H15
Model # 4485
Voltage: 12V
Pulley Type: 8PV
Pulley Dia: 119mm
Head: GH



Replaces: 4417, U4417

CM6577J
Freightliner Cascadia

Model: 10S15C
Voltage: 12V
Pulley Type: 8PV
Pulley Dia: 163mm
Body # 447280-1501
Clutch # 247300-7610



22-65771-000

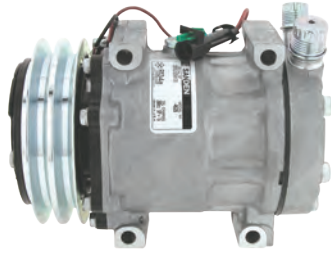
CM4756
Freightliner SS55, 99-01

Model: SD7H15
Model # 4475
Voltage: 12V
Pulley Type: 6PV
Pulley Dia: 125mm
Head: CBA



CM4626
Freightliner Truck

Model: SD7H15
Model # 4626
Voltage: 12V
Pulley Type: 2A
Pulley Dia: 132mm
Head: JD



CMA917
GMC Ambulance

Model: SD7H13
Model # A917
Voltage: 12V
Pulley Type: 10PV
Pulley Dia: 125mm
Head: JE



Picture unavailable at time of printing
refer www.cooldrive.com.au

CM6559
GMC Truck

Model: H6
Voltage: 12V
Pulley Type: 6PV
Pulley Dia: 125mm



1136559, 1136582



Hino

CM5437
Hino Bus, RB8, 08>

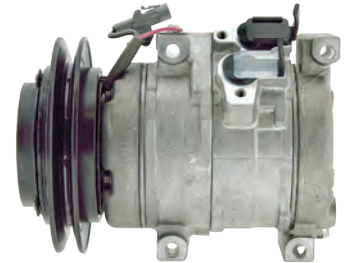
Model: 10P30
Voltage: 24V
Pulley Type: 2B
Pulley Dia: 166mm
Body # 447220-1031
Clutch # 447300-1600



Picture unavailable at time of printing
refer www.cooldrive.com.au

CM1796
Hino Dutro XZU Series, 6/04-2/07

Model: 10S15C
Voltage: 24V
Pulley Type: 1A
Pulley Dia: 143mm
Body # 447220-3514
Clutch # 447300-8640



CM1667
Hino FC3J, 6.6Lt 5 cyl, 11/96-1/03

Model: 10P13C
Voltage: 24V
Pulley Type: 1A
Pulley Dia: 137mm
Body # 447200-8570
Clutch # 447300-4820



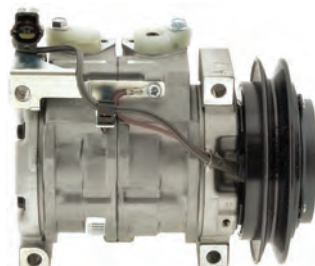
CM1624
Hino FC3W, FT3W

Model: 10P13C
Voltage: 24V
Pulley Type: 1A
Pulley Dia: 135mm
Body # 447200-7140
Clutch # 447300-1230



CM1791
Hino FD, 03>

Model: 10S13C
Voltage: 24V
Pulley Type: 1B
Pulley Dia: 151mm
Body # 447220-4442
Clutch # 247300-3360



Jayair: CM1791J

CM1660
Hino FD2J, FF1J, FM1J, FT1J, GD1J, GT1J

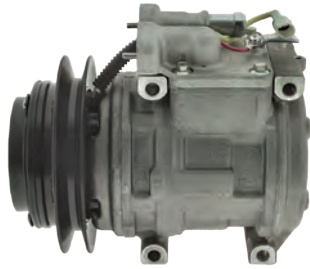
Model: 10P13C
Voltage: 24V
Pulley Type: 1A
Pulley Dia: 138mm
Body # 447200-7150
Clutch # 447300-4200



CM1640

Hino FM1, FP1, FS1K, FR1, FW1, 95>

Model: 10PA15C
Voltage: 24V
Pulley Type: 1B
Pulley Dia: 142mm
Body # 447200-0410
Clutch # 447300-2000

**CM5794**

Hino FM1A

Model: 10S15C
Voltage:
Pulley Type:
Pulley Dia:
Body # 447260-6610
Clutch # 247300-5290



Picture unavailable at time of printing
 refer www.cooldrive.com.au

CM1648

Hino FM3M

Model: 10P13A
Voltage: 24V
Pulley Type: 1B
Pulley Dia: 147mm
Body # 447200-7520
Clutch # 447300-2300

**CM1675**

Hino FT3W

Model: 10P13C
Voltage: 24V
Pulley Type: 1A
Pulley Dia: 137mm
Body # 047200-6160
Clutch # 047300-8860

**CM1633**

Hino FD3H, FE, FF3H, GT3H, 89-90

Model: 10P13C
Voltage: 24V
Pulley Type: 1A
Pulley Dia: 140mm
Body # 447200-7130
Clutch # 447300-1220

**CM1888**

Hino Liesse, 96>

Model: 10P30B
Voltage: 24V
Pulley Type: 2A
Pulley Dia: 163mm
Body # 447200-8870
Clutch # 447300-4880

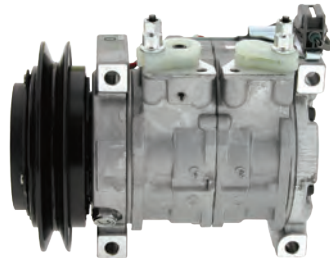


Picture unavailable at time of printing
 refer www.cooldrive.com.au

CM1885

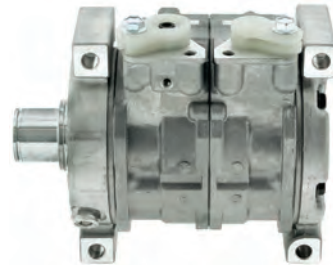
Hino Ranger FD, 06>

Model: 10S13C
Voltage: 24V
Pulley Type: 1A
Pulley Dia: 133mm
Body # 447260-8180
Clutch # 247300-3360

**CM1685**

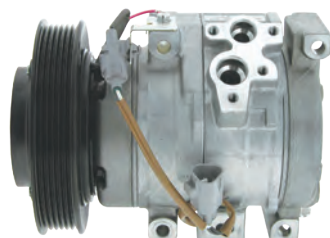
Hino Truck

Model: 10S13C
Body # 447220-4442

**CM1871**

Hino Truck

Model: 10S15C
Voltage: 24V
Pulley Type: 6PV
Pulley Dia: 142mm
Body # 447220-5543
Clutch # 247300-2550

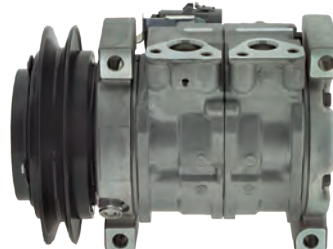


Jayair: CM1871J

CM1873

Hino, 04>

Model: 10S13C
Voltage: 24V
Pulley Type: 1A
Pulley Dia: 133mm
Body # 447220-5840
Clutch # 247300-2600



Jayair: CM1873J



Hitachi

CM5348 Hitachi Excavator


Model: 10PA15C
Body # 447200-0246

Clutch to suit CL1432
CL1436 or CL1441



CM8332 Hitachi Kenki


Model: DKS15CH
Voltage: 24V
Pulley Type: 1B
Pulley Dia: 138mm



4456130

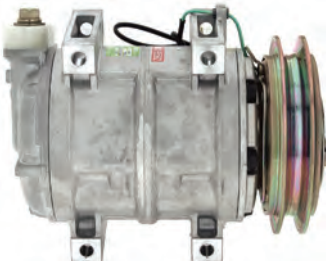
CM8343 Hitachi Kenki

Model: DKS15CH
Voltage: 24V
Pulley Type: 1B
Pulley Dia: 137mm




CM8374 Hitachi Kenki

Model: DKS15CH
Voltage: 24V
Pulley Type: 1B
Pulley Dia: 138mm



CM8378 Hitachi Kenki

Model: DKS15CH
Voltage: 24V
Pulley Type: 1B
Pulley Dia: 137mm



761B055141

CM9332 Hitachi Kenki, ZX200

Model: DKS15D
Voltage: 24V
Pulley Type: 1B
Pulley Dia: 137mm




Z0011329A, Z0016466A

CM5027 Hitachi Loader

Model: 10PA17C
Body # 447220-7270

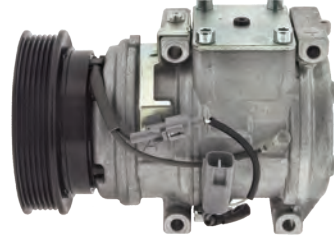
Clutch to suit CL1437




Holden

CM1674 Holden Apollo JM-JP, V6, 4/93-5/97

Model: 10PA17C
Voltage: 12V
Pulley Type: 6PV
Pulley Dia: 131mm
Body # 447200-4523
Clutch # 447300-0520



CM1618

Holden Apollo JM-JP, 4 cyl, 4/93-5/97

Model: 10PA17C
 Voltage: 12V
 Pulley Type: 5PV
 Pulley Dia: 140mm
 Body # 447200-4510
 Clutch # 447300-0510

**CM1702**

Holden Apollo JK, JL, 8/89-3/93

Model: 10PA17C
 Voltage: 12V
 Pulley Type: 5PV
 Pulley Dia: 140mm
 Body # 047200-7960
 Clutch # 047300-4410

**CM5320**Holden Astra AH, 1.8 & 2.2Lt, 7/05-6/08
Holden Astra AH, 2.0Lt Turbo, 6/06-3/10

Model: CVC125
 Voltage: 12V
 Pulley Type: 5PV
 Pulley Dia: 105mm



Seals: CP0125 & CP0126
 13139055
 Jayair: CM5320J

CM5318

Holden Astra AH, 1.9Lt Diesel, 6/06>

Model: CVC125
 Voltage: 12V
 Pulley Type: 6PV
 Pulley Dia: 110mm



Seals: CP0125 & CP0126
 13124752

CM5321

Holden Astra AH, 2.2Lt, 06>

Model: V6
 Voltage: 12V
 Pulley Type: 5PV
 Pulley Dia: 120mm



13124753, 1139088
 93196862

CM5317

Holden Astra AH, Z18XE 1.8Lt, 04>

Model: CVC125
 Voltage: 12V
 Pulley Type: 5PV
 Pulley Dia: 105mm



Seals: CP0125 & CP0126
 13124750
 Jayair: CM5317J

CM5714

Holden Astra TS, Z18XE 1.8Lt, 12/00-8/04

Model: CVC125
 Voltage: 12V
 Pulley Type: 5PV
 Pulley Dia: 109mm



Seals: CP0125 & CP0126
 9165714
 Jayair: CM5714J

CM8600

Holden Astra TS, Z22SE, 10/98>

Model: PXV16
 Model # 8629
 Voltage: 12V
 Pulley Type: 5PV
 Pulley Dia: 120mm
 Head: PQC



Seals: CP0125 & CP0126
 Jayair: CM8600J

CM5314

Holden Astra TS, X18XE 1.8Lt, 10/98-12/02

Model: CVC125
 Voltage: 12V
 Pulley Type: 5PV
 Pulley Dia: 109mm



Pad profile suits standard o'ring
 1854102, 09174396
 Jayair: CM5314J

CM5312

Holden Astra TR, 9/96-9/98

Model: V5
 Voltage: 12V
 Pulley Type: 6PV
 Pulley Dia: 131mm

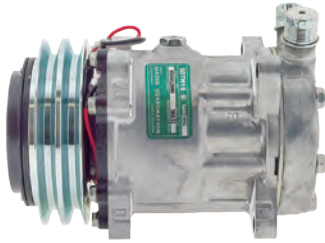


Requires PR5312
 (clutch wire extension)
 1135312, 1135349, 1131909
 Jayair: CM5312J

CM7863
Holden Astra LB, LC, LD, 8/84-7/89

Model: SD7H15
Model # 8031
Voltage: 12V
Pulley Type: 2A
Pulley Dia: 132mm
Head: JE

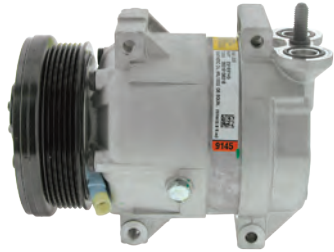
Air International System
Jayair: **CM7863J**



CM5265
Holden Barina TK, 05>

Model: V5
Voltage: 12V
Pulley Type: 5PV
Pulley Dia: 110mm

714978



CM5714
Holden Barina XC, 1.4Lt, 4/01-10/05

Model: CVC125
Voltage: 12V
Pulley Type: 5PV
Pulley Dia: 109mm

Seals: CP0125 & CP0126
9165714
Jayair: **CM5714J**



CM1447
Holden Barina XC

Model: SD6V12
Model # 1447
Voltage: 12V
Pulley Type: 5PV
Pulley Dia: 125mm
Head: VGH

Twin Cam



CM5325
Holden Barina SB, 4/94>
Holden Combo SB, 2/96>


Model: V5
Voltage: 12V
Pulley Type: 6PV
Pulley Dia: 129mm

1135325, 1135025
1135234, 1135295
Jayair: **CM5325J**



CM1718
Holden Barina MF, MH, 1/89-3/94

Model: 10P08E
Voltage: 12V
Pulley Type: 4PV
Pulley Dia: 105mm
Body # 047200-9923
Clutch # 047300-5810



CM5312
Holden Calibra YE

Model: V5
Voltage: 12V
Pulley Type: 6PV
Pulley Dia: 131mm

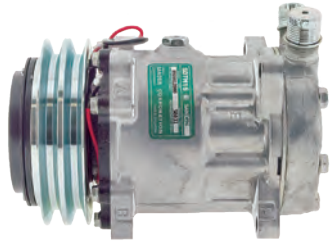
Requires PR5312
(clutch wire extension)
1135312, 1135349, 1131909
Jayair: **CM5312J**



CM7863
Holden Camira JD-JE

Model: SD7H15
Model # 8031
Voltage: 12V
Pulley Type: 2A
Pulley Dia: 132mm
Head: JE

Jayair: **CM7863J**



CM8004
Holden Camira JB, 1.6Lt, 8/82-12/84

Model: R4
Voltage: 12V
Pulley Type: 1A
Pulley Dia: 131mm


Metric Thread



CM6556
Holden Captiva CG, 2.0Lt Turbo Diesel, 3/07>

Model: SP17
Voltage: 12V
Pulley Type: 6PV
Pulley Dia: 121mm

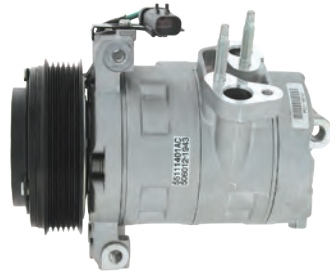
740342



CM6899

Holden Captiva, Diesel, 07>

Model: DKS17DS
Voltage: 12V
Pulley Type: 6PV
Pulley Dia: 119mm



506211-9421

CM6557

Holden Captiva CG, 3.2Lt V6, 10/06>

Model: SP17
Voltage: 12V
Pulley Type: 6PV
Pulley Dia: 125mm



96629607, 96861886

CM6558

Holden Captiva CG, 2.4Lt Petrol, 10/06>

Model: SP17
Voltage: 12V
Pulley Type: 6PV
Pulley Dia: 120mm



96629606, 96861885

CM6552

Holden Captiva CG, 10/06>

Model: FS10
Voltage: 12V
Pulley Type: 5PV
Pulley Dia: 113mm

25878370
VP8HHH19D629AB**CM8708**

Holden Commodore VE, 6.0Lt V8, 7/06>

Model: 6SEU16C
Voltage: 12V
Pulley Type: 4PV
Pulley Dia: 130mm
Body # 447260-1130
Clutch # 248300-1540

Suction: OR4813
Discharge: OR4812**CM8700**

Holden Commodore VE, 3.6Lt V6, 7/06>

Model: 6SEU16C
Voltage: 12V
Pulley Type: 6PV
Pulley Dia: 116mm
Body # 447260-1120
Clutch # 248300-1550

Suction: OR4813
Discharge: OR4812**CM8696**Holden Commodore VZ, 5.7, 6.0Lt V8
8/04-9/06

Model: V5
Voltage: 12V
Pulley Type: 4PV
Pulley Dia: 145mm

**CM8695**Holden Commodore VZ, 3.6Lt V6
RWD, 8/04-9/06

Model: CVC125
Voltage: 12V
Pulley Type: 6PV
Pulley Dia: 114mm



Jayair: CM8695J

CM8694Holden Commodore VZ, 3.6Lt V6, AWD
8/04-9/06

Model: CVC125
Voltage: 12V
Pulley Type: 6PV
Pulley Dia: 110mm

**CM7020**Holden Commodore VT, VX, VY, VU Ute, 5.7Lt V8
6/99-8/04
Holden Statesman WH, WK, 5.7Lt V8
6/99-7/04

Model: V7
Voltage: 12V
Pulley Type: 6PV
Pulley Dia: 131mm

M10 Hose Stud
Jayair: CM7020J

CM5257
 Holden Commodore VT, VX, VY, VU Ute
 3.8Lt V6, 8/97-6/99
 Holden Statesman WH-WK, 3.8Lt V6
 8/01-8/04

Model: V5
 Voltage: 12V
 Pulley Type: 6PV
 Pulley Dia: 142mm



Seals: OR9885 x 2


CM5262
 Holden Commodore VT, 5.0Lt V8 6/97-6/99
 Holden Commodore VT, HSV, 5.7Lt V8,

Model: V5
 Voltage: 12V
 Pulley Type: 4PV
 Pulley Dia: 125mm




CM3207
 Holden Commodore VS, 3.8Lt V6, 4/95-8/97

Model: TRS105
 Model # 3207
 Voltage: 12V
 Pulley Type: 6PV
 Pulley Dia: 103mm
 Head: L



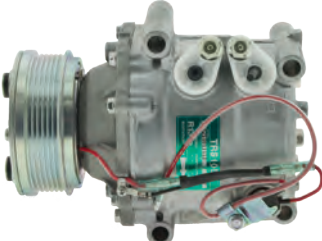
CM3203
 Holden Commodore VN, VP, VR, VS, 5.0Lt V8, 3/89-8/97

Model: TRS105
 Model # 3203
 Voltage: 12V
 Pulley Type: 1A
 Pulley Dia: 92mm
 Head: E



CM3202
 Holden Commodore VN, VP, VR, 3.8Lt V6
 8/88-4/95

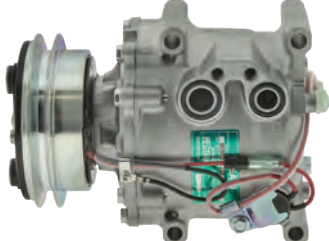
Model: TRS105
 Model # 3202
 Voltage: 12V
 Pulley Type: 6PV
 Pulley Dia: 103mm
 Head: D



CM3001
 Holden Commodore VK, VL, 84-88

Model: TRS090
 Model # 3627
 Voltage: 12V
 Pulley Type: 1A
 Pulley Dia: 115mm
 Head: A

Replaces: 3001



CM8003
 Holden Commodore VB, VC, VH, 78-84

Model: GMA6
 Voltage: 12V
 Pulley Type: 1A
 Pulley Dia: 134mm

New



CM8007
 Holden Commodore VB, VC, VH, 78-84

Model: GMA6
 Voltage: 12V
 Pulley Type: 1A
 Pulley Dia: 127mm

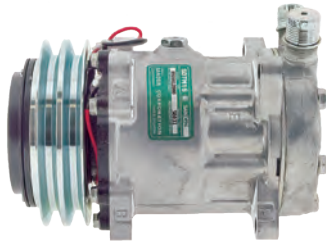
Remanufactured



CM7863
 Holden Commodore VB, VC, VH, 78-84

Model: SD7H15
 Model # 8031
 Voltage: 12V
 Pulley Type: 2A
 Pulley Dia: 132mm
 Head: JE

Air International System
 Jayair: CM7863J



CM2556
 Holden Cruze JH, 1.8Lt Petrol, 2.0Lt Diesel, 11>

Model: CSP17
 Voltage: 12V
 Pulley Type: 6PV
 Pulley Dia: 120mm

Picture unavailable at time of printing
 refer www.cooldrive.com.au

13314480

CM2555

Holden Cruze JH, 1.4Lt Turbo Petrol, 4 cyl, 11>

Model: CVC6
Voltage: 12V
Pulley Type: 6PV
Pulley Dia: 120mm



13271268

CM2554

Holden Cruze JG, 2.0Lt Turbo Diesel, 6/09>

Model: V5
Voltage: 12V
Pulley Type: 6PV
Pulley Dia: 130mm



Picture unavailable at time of printing
refer www.cooldrive.com.au

96966629

CM2553

Holden Cruze JG, 1.8Lt Petrol, 09>

Model:
Voltage: 12V
Pulley Type: 6PV
Pulley Dia:



Picture unavailable at time of printing
refer www.cooldrive.com.au

13271258

CM2552

Holden Cruze YG, 1.5Lt, 6/02-6/06

Model: SS10LF10
Voltage: 12V
Pulley Type: 4PV
Pulley Dia: 110mm

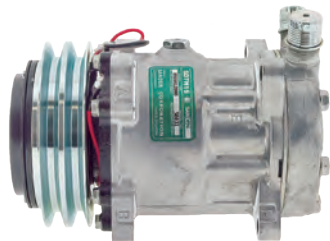


95201-69GC0

CM7863

Holden Drover QB, 82-3/94

Model: SD7H15
Model # 8031
Voltage: 12V
Pulley Type: 2A
Pulley Dia: 132mm
Head: JE



Jayair: CM7863J

CM2543

Holden Epica EP, 2.0Lt Diesel, 7/08>

Model: V5
Voltage: 12V
Pulley Type: 6PV
Pulley Type: 119mm



SOHC
96942144

CM2546

Holden Epica, 2.5Lt 6 cyl, 10/07>

Model: V5
Voltage: 12V
Pulley Type: 6PV
Pulley Dia: 131mm



Seals: OR9885 x 2

96409150

CM2545

Holden Epica, 2.0Lt 6 cyl, 10/07>

Model: V5
Voltage: 12V
Pulley Type: 6PV
Pulley Dia: 131mm



Seals: OR9885 x 2

96409151

CM2544

Holden Epica, 2.0Lt Turbo Diesel, 7/08>

Model: V5
Voltage: 12V
Pulley Type: 6PV
Pulley Dia: 131mm



Seals: OR9885 x 2

96405817

CM8329

Holden Frontera, 12/98-6/01


Model: DKV14G
Voltage: 12V
Pulley Type: 6PV
Pulley Dia: 130mm



8972159760, 8972876412

CM8003
 Holden HQ-WB, 72-83
 Kingswood, V8, 72-83
 Holden Statesman, V8, 72-83

Model: GMA6
 Voltage: 12V
 Pulley Type: 1A
 Pulley Dia: 134mm



New

CM8007
 Holden HQ-WB, 72-83
 Kingswood, V8, 72-83
 Holden Statesman, V8, 72-83

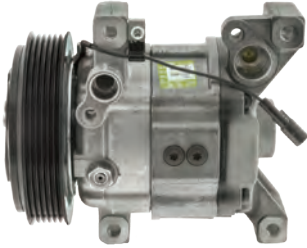
Model: GMA6
 Voltage: 12V
 Pulley Type: 1A
 Pulley Dia: 127mm



Remanufactured

CM8329
 Holden Jackaroo, 6/01>

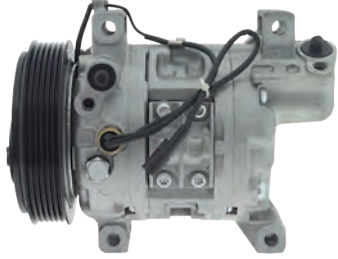
Model: DKV14G
 Voltage: 12V
 Pulley Type: 6PV
 Pulley Dia: 130mm



8972876412, 8972159760

CM8314J
 Holden Jackaroo, V6, 2/98-5/01


Model: DKV14D
 Voltage: 12V
 Pulley Type: 6PV
 Pulley Dia: 130mm



8917108200, 5062212440

CM3022
 Holden Jackaroo, 3.0Lt Diesel, 98>

Model: DKS15CH
 Voltage: 12V
 Pulley Type: 2A
 Pulley Dia: 125mm



CM3967
 Holden Jackaroo UBS92, 3.2Lt Petrol
 4/92-1/98

Model: 10PA17C
 Voltage: 12V
 Pulley Type: 4PV
 Pulley Dia: 137mm
 Body # 447200-3960
 Clutch # 447300-6970




CM3017
 Holden Jackaroo UBS92, Diesel, 4/92-1/98

Model: TRS090
 Model # 3017
 Voltage: 12V
 Pulley Type: 2A
 Pulley Dia: 115mm
 Head: R




CM3018
 Holden Jackaroo UBS92, 3.2Lt Petrol, 4/92-97

Model: TRS090
 Model # 3018
 Voltage: 12V
 Pulley Type: 4PV
 Pulley Dia: 100mm



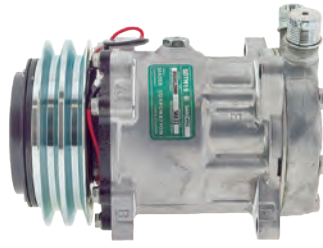
CM8355
 Holden Jackaroo, Diesel

Model: DKS15CH
 Voltage: 12V
 Pulley Type: 1A
 Pulley Dia: 125mm



CM7863
 Holden Jackaroo, 82-3/94

Model: SD7H15
 Model # 8031
 Voltage: 12V
 Pulley Type: 2A
 Pulley Dia: 132mm
 Head: JE



Jayair: CM7863J

CM7020

Holden Monaro CV8, 5.7Lt V8, 12/01-9/04

Model: V7
Voltage: 12V
Pulley Type: 6PV
Pulley Dia: 131mm



M10 Hose Stud
 Jayair: CM7020J

CM5257

Holden Monaro CV6, 3.8Lt V6, 12/01-8/03

Model: V5
Voltage: 12V
Pulley Type: 6PV
Pulley Dia: 142mm



Seals: OR9885 x 2

CM1607

Holden Nova LG, 9/94>

Model: TV12C
Voltage: 12V
Pulley Type: 4PV
Pulley Dia: 155mm
Body # 442500-2630
Clutch # 447300-1000



CM1644

Holden Nova LE, LF, 8/91-8/94

Model: 10PA15C
Voltage: 12V
Pulley Type: 5PV
Pulley Dia: 150mm
Body # 447200-0210
Clutch # 447300-2440



Jayair: CM1644J

CM1708

Holden Nova LE, LF, 7/89-8/94

Model: 10PA15C
Voltage: 12V
Pulley Type: 4PV
Pulley Dia: 146mm
Body # 147200-5933
Clutch # 047300-7431



CM2520

Holden Rodeo RA03, 2.4Lt 4 cyl, 2/03-7/08
 Holden Colorado RC, 2.4Lt Petrol, 7/08-11/09
 Holden Colorado RC, 3.0Lt Diesel, 7/08-5/12

Model: SP15
Voltage: 12V
Pulley Type: 1A
Pulley Dia: 125mm



92148057

CM2521

Holden Rodeo RA03, 3.5, 3.6Lt V6, 2/03-7/08

Model: SP15
Voltage: 12V
Pulley Type: 6PV
Pulley Dia: 110mm



92148056

CM2510

Holden Rodeo RA03, 2.8Lt, 3/03>

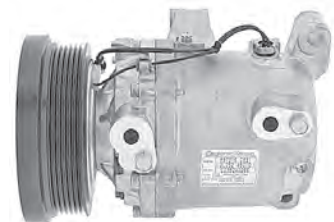
Model: SP15
Voltage: 12V
Pulley Type: 1A
Pulley Dia: 125mm



CM2511

Holden Rodeo RA03, 3.6Lt V6, 3/03>

Model: SP15
Voltage: 12V
Pulley Type: 6PV
Pulley Dia: 110mm



CM2513

Holden Rodeo RA03, 3.0Lt Turbo Diesel, 3/03>

Model: SP15
Voltage: 12V
Pulley Type: 2A
Pulley Dia: 125mm



CM2522
Holden Rodeo RA03, 3.0Lt Turbo Diesel, 2/03-11/07

Model: SP15
Voltage: 12V
Pulley Type: 2A
Pulley Dia: 125mm



92148058

CM2531
Holden Rodeo, RA03, V6 Alloytec
Holden Colorado RC, 3.5Lt V6, 7/08-5/12

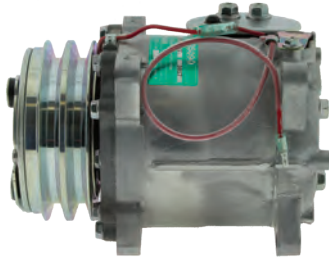
Model: SP15
Voltage: 12V
Pulley Type: 6PV
Pulley Dia: 110mm



92148131, 92211162

CM3017
Holden Rodeo TF93, TF97, TF99
Petrol/Diesel, 2.6, 2.8Lt, 9/93-01

Model: TRS090
Model # 3017
Voltage: 12V
Pulley Type: 2A
Pulley Dia: 115mm
Head: R



CM2509
Holden Rodeo TF99, Diesel, 4/98-3/03

Model: SP10
Voltage: 12V
Pulley Type: 2A
Pulley Dia: 121mm



CM2508
Holden Rodeo, Petrol, 5/01-3/03

Model: SP10
Voltage: 12V
Pulley Type: 6PV
Pulley Dia: 112mm



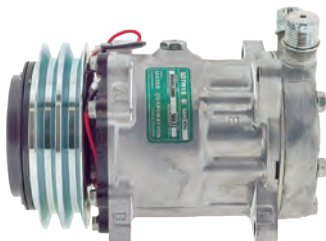
CM2532
Holden Rodeo, 3.2Lt V6, 4/99>

Model: TM14A
Voltage: 12V
Pulley Type: 6PV
Pulley Dia: 135mm



CM7863
Holden Rodeo, 85-3/94
Holden Shuttle, 81-91

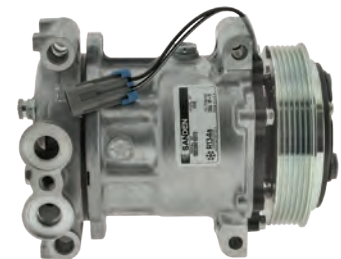
Model: SD7H15
Model # 8031
Voltage: 12V
Pulley Type: 2A
Pulley Dia: 132mm
Head: JE



Jayair: CM7863J

CM6570
Holden Suburban

Model: SD7H15
Model # 4440
Voltage: 12V
Pulley Type: 6PV
Pulley Dia: 126mm



CM8003
Holden Torana LH, 75>

Model: GMA6
Voltage: 12V
Pulley Type: 1A
Pulley Dia: 134mm



New

CM8007
Holden Torana LH, 75>

Model: GMA6
Voltage: 12V
Pulley Type: 1A
Pulley Dia: 127mm



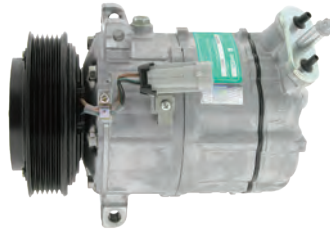
Remanufactured

DIRECT REPLACEMENT COMPRESSORS

CM8601

Holden Vectra, ZC, Z32SE 3.2Lt V6

Model: PXV16
 Model # 8632
 Voltage: 12V
 Pulley Type: 6PV
 Pulley Dia: 120mm
 Head: PQC
 Seals: CP0125 & CP0126
 Up to VIN
 W0L0ZCF6848045597

**CM8603**

Holden Vectra, ZC, Z32SE 3.2Lt V6

Model: PXE16
 Model # 8664
 Voltage: 12V
 Pulley Type: 6PV
 Pulley Dia: 120mm

Seals: OR9885 X 2
 From VIN
 W0L0ZCF6848045598
 13191994

**CM1681**Holden Vectra JR, X25XE 2.5Lt, 6/97-8/98
Holden Vectra JS, X25XE, Y26SE, 7/98>

Model: 7SBU16C
 Voltage: 12V
 Pulley Type: 6PV
 Pulley Dia: 126mm
 Body # 447220-8592
 Clutch # 447300-4811

**CM5324**

Holden Vectra JR, JS, 6/97>

Model: V5
 Voltage: 12V
 Pulley Type: 6PV
 Pulley Dia: 124mm

Seals: OR9885 X 2
 1135324, 1135302, 1135240

**CM5263**

Holden Viva, JF, 9/05-5/09

Model: V5
 Voltage: 12V
 Pulley Type: 6PV
 Pulley Dia: 131mm



96442924

CM8600

Holden Zafira TT, 2.2Lt, 6/01-5/06

Model: PXV16
 Model # 8629
 Voltage: 12V
 Pulley Type: 5PV
 Pulley Dia: 120mm
 Head: PQC

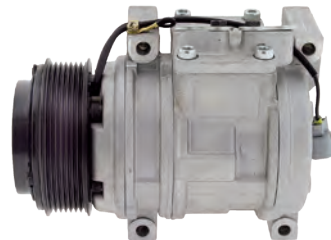
Seals: CP0125 & CP0126
 Jayair: CM8600J

**Honda****CM7574**

Honda Accord Euro

Voltage: 12V
 Pulley Type: 7PV
 Pulley Dia: 109mm

7PK1735 required

**CM5528**

Honda Accord, 2/03>

Model: 10S17C
 Voltage: 12V
 Pulley Type: 7PV
 Pulley Dia: 135mm
 Body # JK447220-4863
 Clutch # 247300-1333



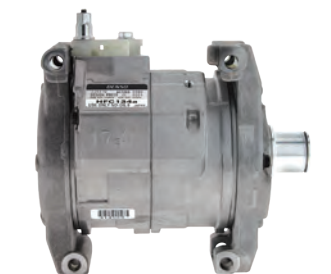
38810RBA006

CM5422

Honda Accord, 2/03>

Model: 10S17C
 Body # 447220-4863

Clutch to suit CL1434



CM5458
Honda Accord, 3.0Lt V6, 03>

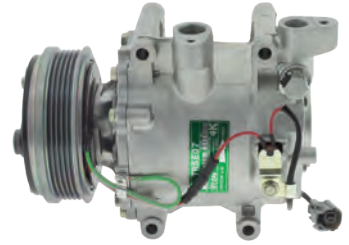
Model: 10S17C
Voltage: 12V
Pulley Type: 6PV
Pulley Dia: 135mm
Body # 447220-4872
Clutch # 247300-1341



Jayair: CM5458J

CM3406
Honda City, 06>

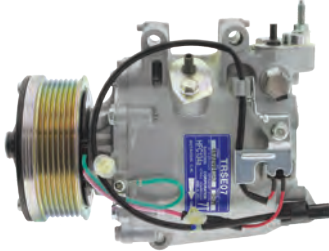
Model: TRSE07
Model # 3406
Voltage: 12V
Pulley Type: 5PV
Pulley Dia: 115mm



Jayair Brand

CM3410
Honda Civic, 1.8Lt, 06>

Model: TRSE07
Model # 3410
Voltage: 12V
Pulley Type: 7PV
Pulley Dia: 110mm



Replaces 3439
38800RNCZ010

CM4967
Honda Civic, 01-05

Model: TRS090
Model # 3664
Voltage: 12V
Pulley Type: 6PV
Pulley Dia: 109mm



Replaces 3654, 4968
Jayair: CM4967J

CM3062
Honda Civic, VTI-R, B15A2, 93-98
Honda CRV, 10/97-12/01

Model: TRS090
Model # 4993
Voltage: 12V
Pulley Type: 4PV
Pulley Dia: 106mm



Replaces: 3057, 3059, 3062,
4955, 4956

CM3062J
Honda Civic, VTI-R, B15A2, 93-98
Honda CRV, 10/97-12/01

Model: HS090 - TRS090
Voltage: 12V
Pulley Type: 4PV
Pulley Dia: 100mm



CM5608
Honda CRV, 2.4Lt, 2/07

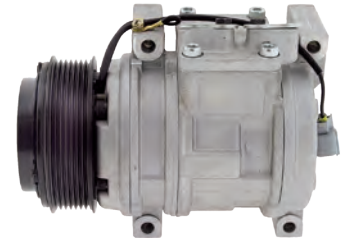
Model: TRSE090A
Model # 4920
Voltage: 12V
Pulley Type: 7PV
Pulley Dia: 106mm



3880R27A010AM2

CM7574
Honda CRV, 02-05

Voltage: 12V
Pulley Type: 7PV
Pulley Dia: 109mm



CM5537
Honda CRV, 2.0Lt, 98-05

Model: HS110R
Voltage: 12V
Pulley Type: 7PV
Pulley Dia: 100mm



CM3624
Honda Jazz

Model: TRSA09
Model # 3624
Voltage: 12V
Pulley Type: 5PV
Pulley Dia: 117mm



Jayair Brand
388000REAZ013

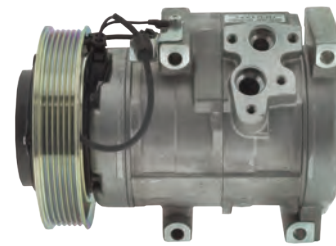
CM5452
Honda Jazz, 04-08

Model: HS090R
Voltage: 12V
Pulley Type: 5PV
Pulley Dia: 110mm



CM5385
Honda MDX, V6, 03>

Model: 10S20C
Voltage: 12V
Pulley Type: 6PV
Pulley Dia: 140mm
Body # 447220-4900
Clutch # 247300-1581



CM5377
Honda Odyssey, 05>

Model: 10S17C
Voltage: 12V
Pulley Type: 7PV
Pulley Dia: 125mm
Body # 447220-5920
Clutch # 247300-2771



CM5030
Honda Odyssey, 02>

Model: 10S20C
Voltage: 12V
Pulley Type: 6PV
Pulley Dia: 136mm
Body # 447220-3695
Clutch # 447300-8751
CM5028 W/O Clutch



CM5028
Honda Odyssey, 02>

Model: 10S20C
Body # 447220-3690



CM5030 With Clutch



CMA974
Hyster Forklift

Model: SD7H15
Model # A974
Voltage: 12V
Pulley Type: 8PV
Pulley Dia: 119mm
Head: JE



Picture unavailable at time of printing
refer www.cooldrive.com.au

CM1921
Hyundai Accent MC, 1.6Lt, 5/07-1/10

Model: VS16
Voltage: 12V
Pulley Type: 4PV
Pulley Dia: 125mm



Picture unavailable at time of printing
refer www.cooldrive.com.au

97701-1E001
97701-1E000

CM1914
Hyundai Accent LC, 1.5Lt, 6/00-2/03

Model: HS15
Voltage: 12V
Pulley Type: 4PV
Pulley Dia: 125mm



Picture unavailable at time of printing
refer www.cooldrive.com.au

97701-25000

CM1897
Hyundai Accent, 03>


Model: HS15
Voltage: 12V
Pulley Type: 4PV
Pulley Dia: 123mm



97701-25100

CM1812
Hyundai Coupe, 2.0Lt, 96-02


Model: HS15
Voltage: 12V
Pulley Type: 4PV
Pulley Dia: 135mm



97701-27000

CM1807
Hyundai Excel X3, 6/94-6/97


Model: FS10
Voltage: 12V
Pulley Type: 4PV
Pulley Dia: 138mm



97701-22000


CM1811
Hyundai Excel X3 Twin, 97>

Model: HS15
Voltage: 12V
Pulley Type: 4PV
Pulley Dia: 125mm



CM1810
Hyundai Excel X2, 1/93-2/95

Model: FX15
Voltage: 12V
Pulley Type: 1A
Pulley Dia: 142mm



CM1906
Hyundai Getz, 1.6Lt, 9/02>

Model: HS15
Voltage: 12V
Pulley Type: 4PV
Pulley Dia: 138mm




97701-1C250

CM1821
Hyundai Getz TB, 1.5Lt, 9/02-05

Model: HS15
Voltage: 12V
Pulley Type: 4PV
Pulley Dia: 137mm


DOHC, G4ECX



97701-1C200

CM1899
Hyundai Grandeur XG, 3.0Lt V6


Model: HS17
Voltage: 12V
Pulley Type: 6PV
Pulley Dia: 128mm



97701-39881

CM1991
Hyundai iload TQ, 2.5Lt Diesel Turbo, 2/08-11


Model: HS15
Voltage: 12V
Pulley Type: 7PV
Pulley Dia: 118mm



97701-4H060

CM1812
Hyundai Lantra, 97>

Model: HS15
Voltage: 12V
Pulley Type: 4PV
Pulley Dia: 135mm



97701-27000

CM1851
Hyundai Lantra, Early J2, 95-97

Model: FX15
Voltage: 12V
Pulley Type: 4PV
Pulley Dia: 142mm

Use OE Spacers

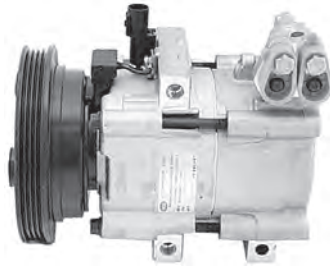


97701-29000

CM1814

Hyundai Lantra, 94-95

Model: FS10
Voltage: 12V
Pulley Type: 4PV
Pulley Dia: 140mm

**CM8373**

Hyundai Mando Loader

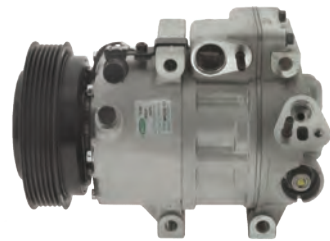
Model: DKV14C
Voltage: 24V
Pulley Type: 1A
Pulley Dia: 135mm



290EX01027

CM1909Hyundai Santa Fe CM Elite SLX, 2.7Lt V6 Petrol, 5/06-6/07
Hyundai Santa Fe CM SX, 2.7Lt V6 Petrol, 5/07-10/09

Model: VS18
Voltage: 12V
Pulley Type: 6PV
Pulley Dia: 120mm



With Dual A/C
 97701-2B251

CM1912

Hyundai Santa Fe, 2.2Lt Diesel, 06-08

Model: VS18
Voltage: 12V
Pulley Type: 6PV
Pulley Dia: 124mm



With Dual A/C
 97701-2B151

CM1910

Hyundai Santa Fe, 2.2Lt, 11/06>

Model: VS16
Voltage: 12V
Pulley Type: 6PV
Pulley Dia: 120mm



97701-2B101

CM1901

Hyundai Santa Fe

Model: HS18
Voltage: 12V
Pulley Type: 5PV
Pulley Dia: 128mm

**CM1903**

Hyundai Santa Fe

Model: HS17
Voltage: 12V
Pulley Type: 6PV
Pulley Dia: 123mm

**CM1988**

Hyundai Sonata NF, 3.3Lt V6, 3/07-5/08

Model: VS18
Voltage: 12V
Pulley Type: 6PV
Pulley Dia: 130mm



97701-3K125

CM1823

Hyundai Sonata, 2.4Lt, 05>

Model: VS18
Voltage: 12V
Pulley Type: 6PV
Pulley Dia: 124mm



97701-3K220

CM1820

Hyundai Sonata, 02>

Model: HS17
Voltage: 12V
Pulley Type: 6PV
Pulley Dia: 123mm



97701-38171

CM1898

Hyundai Sonata EF, 2.0Lt 4 cyl, 1/98>

Model: HS17
Voltage: 12V
Pulley Type: 5PV
Pulley Dia: 123mm



CM1813

Hyundai Sonata, 2.0Lt 4 cyl, 7/94-11/97

Model: FS10
Voltage: 12V
Pulley Type: 4PV
Pulley Dia: 140mm



CM1911

Hyundai Terracan, 2.9Lt Diesel, 01>

Model: HS17
Voltage: 12V
Pulley Type: 5PV
Pulley Dia: 140mm



97610-H1021

CM1900

Hyundai Terracan, 3.5Lt V6

Model: HS18
Voltage: 12V
Pulley Type: 4PV
Pulley Dia: 123mm



97701-H1031

CM1903

Hyundai Trajet, 7/00-5/04

Model: HS17
Voltage: 12V
Pulley Type: 6PV
Pulley Dia: 123mm



With Dual A/C

CM1984

Hyundai Tucson, 2.0Lt 4 cyl Petrol, 4/07-1/10

Model: HS15
Voltage: 12V
Pulley Type: 4PV
Pulley Dia: 123mm



CM1986

Hyundai Tucson, 2.7Lt V6 Petrol, 4/07-1/10

Model: 10PA17C
Voltage: 12V
Pulley Type: 6PV
Pulley Dia: 125mm



CM1983

Hyundai Tucson, 2.0Lt 4 cyl Petrol, 10/05-3/07

Model: 10PA15C
Voltage: 12V
Pulley Type: 4PV
Pulley Dia: 123mm



CM1987

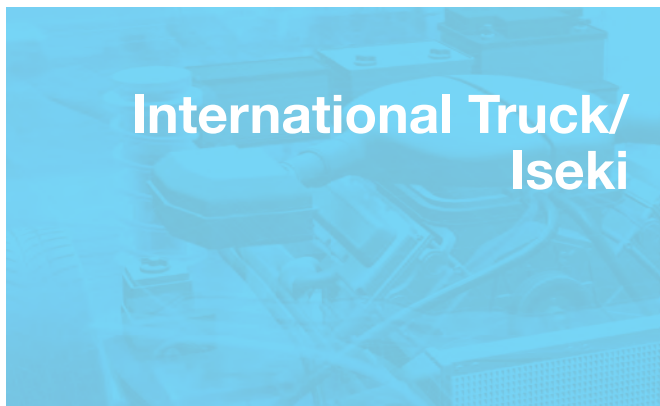
Hyundai Tucson, 2.7Lt V6, 04-08

Model: HS18
Voltage: 12V
Pulley Type: 6PV
Pulley Dia: 124mm



Picture unavailable at time of printing
refer www.cooldrive.com.au

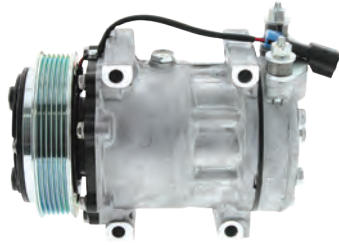
97701-2E100



International Truck/
Iseki

CM7803
International Truck

Model: SD7H15
Model # 4803
Voltage: 12V
Pulley Type: 6PV
Pulley Dia: 129mm
Head: GQ



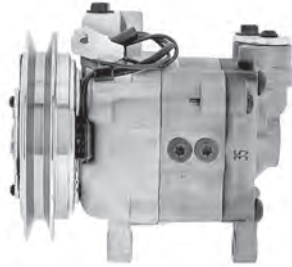
CM8667
International Truck

Model: SD7H15
Model # 4667
Voltage: 12V
Pulley Type: 8PV
Pulley Dia: 119mm
Head: KC



CM8325
Iseki Tractor

Model: DKV07G
Voltage: 12V
Pulley Type: 1A
Pulley Dia: 115mm



169078054000



CM8356
Isuzu

Model: DKV14D
Voltage: 12V
Pulley Type: 4PV
Pulley Dia: 110mm



8970851140

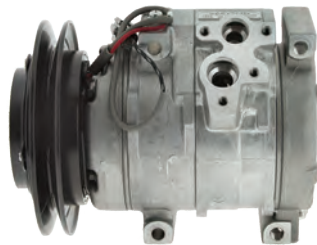
CM8359
Isuzu

Model: DKS15CH
Voltage: 24V
Pulley Type: 1B
Pulley Dia: 137mm



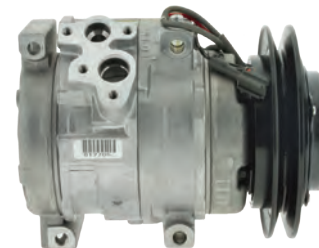
CM5398
Isuzu

Model: 10S15C
Voltage: 24V
Pulley Type: 1A
Pulley Dia: 143mm
Body # 447220-5061
Clutch # 247300-4620



CM5381
Isuzu FXZ

Model: 10S15C
Voltage: 24V
Pulley Type: 1A
Pulley Dia: 142mm
Body # 447220-5071
Clutch # 247300-4090



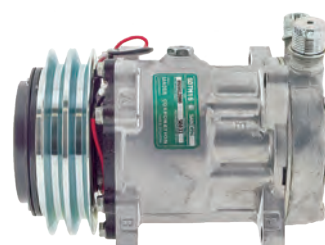
CM7906
Isuzu FSR, FSS, FTR, FTS, FVM, FVR, FVZ
Isuzu FZR, NPR

Model: SD7H15
Model # 7906A
Voltage: 24V
Pulley Type: 1B
Pulley Dia: 138mm
Head: JE



CM7863
Isuzu FSR, FSS, FTR, FTS, NPR, 4.3Lt, Diesel
Isuzu NKR, NPR, 3.6Lt
Isuzu NPS, 3.9Lt Turbo Diesel

Model: SD7H15
Model # 8031
Voltage: 12V
Pulley Type: 2A
Pulley Dia: 132mm
Head: JE



Jayair: CM7863J

CM8368
Isuzu NPR300

Model: DKS15D
Voltage: 24V
Pulley Type: 1A
Pulley Dia: 135mm



8980371462

CMA968
Isuzu Powerstar

Model: SD7H15
Model # A968
Voltage: 24V
Pulley Type: 8PV
Pulley Dia: 126mm
Head: JE



CM8365
Isuzu TF

Model: DKS15CH
Voltage: 12V
Pulley Type: 2A
Pulley Dia: 125mm



8971328270

CM9025
Isuzu Truck

Model: SP21
Voltage: 24V
Pulley Type: 1B
Pulley Dia: 137mm



CM8116
Isuzu Truck F Series

Model: SD7H15
Model # 8116
Voltage: 24V
Pulley Type: 1B
Pulley Dia: 146mm
Head: US



CM8169
Isuzu Truck F Series

Model: SD7H15
Model # 8169
Voltage: 24V
Pulley Type: 1B
Pulley Dia: 138mm
Head: US



CM8115
Isuzu Truck N Series

Model: SD7H15
Model # 8115
Voltage: 24V
Pulley Type: 2A
Pulley Dia: 132mm
Head: US



CM8156
Isuzu Truck N Series

Model: SD7H15
Model # 8156
Voltage: 12V
Pulley Type: 2A
Pulley Dia: 132mm
Head: US



CM7406
Isuzu Truck, Longbed 950

Model: TM14A
Voltage: 24V
Pulley Type: 1B
Pulley Dia: 137mm



Iveco

CM5549
Iveco Daily, 5/99>

Model: SC08C
Voltage: 12V
Pulley Type: 4PV
Pulley Dia: 110mm
Body # 447220-6970
Clutch # 447300-6220

**CM7882**
Iveco Daily

Model: SD7H15
Model # 7882
Voltage: 12V
Pulley Type: 5PV
Pulley Dia: 117mm
Head: MH

**CM7948**
Iveco Eurocargo

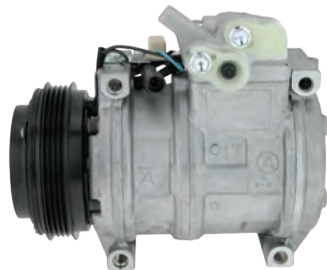
Model: SD7H15
Model # 7948
Voltage: 24V
Pulley Type: 1A
Pulley Dia: 135mm
Head: MD

**CM5634**
Iveco Eurotech, 1/02>

Model: 10PA17C
Voltage: 24V
Pulley Type: 4PV
Pulley Dia: 120mm
Body # 447200-4820
Clutch # 447300-6340

**CM5619**
Iveco New Daily, 2.3Lt, 00>

Model: 10PA17C
Voltage: 12V
Pulley Type: 4PV
Pulley Dia: 110mm
Body # 447220-7290
Clutch # 247300-1880



504014391

CM5830
Iveco New Daily, 2.8Lt, 1/99-12/06

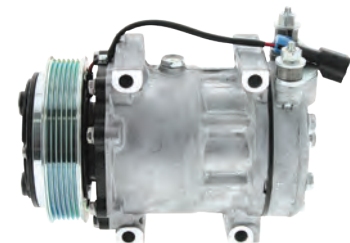
Model: 10PA17C
Voltage: 12V
Pulley Type: 4PV
Pulley Dia: 120mm
Body # 447200-4820
Clutch # 247300-0340

**CM5585**
Iveco Stralis Truck, 97>

Model: 10PA17C
Voltage: 24V
Pulley Type: 4PV
Pulley Dia: 110mm
Body # 447200-5750
Clutch # 447300-8120

**CM7803**
Iveco Truck

Model: SD7H15
Model # 4803
Voltage: 12V
Pulley Type: 6PV
Pulley Dia: 129mm
Head: GQ

**CM8667**
Iveco Truck

Model: SD7H15
Model # 4667
Voltage: 12V
Pulley Type: 8PV
Pulley Dia: 119mm
Head: KC

**CM7933**
Iveco Truck

Model: SD7H15
Model # 8036
Voltage: 24V
Pulley Type: 2A
Pulley Dia: 132mm
Head: MD



CM8124
Iveco Truck

Model: SD7H15
Model # 8124A
Voltage: 12V
Pulley Type: 8PV
Pulley Dia: 119mm
Head: MD



CMA916
Iveco Truck

Model: SD7H15
Model # A916
Voltage: 24V
Pulley Type: 2A
Pulley Dia: 125mm
Head: MD



CMA919
Iveco Truck

Model: SD7H15
Model # 8161
Voltage: 24V
Pulley Type: 8PV
Pulley Dia: 123mm
Head: JE



Replaces: A919



CM1003
Jaguar S Type, 2.5, 3.0Lt, V6

Model: Scroll 90v
Voltage: 12V
Pulley Type: 6PV
Pulley Dia: 95mm



Jayair: CM1003J

CM1004
Jaguar S Type, 4.0Lt, V8

Model: Scroll 90v
Voltage: 12V
Pulley Type: 6PV
Pulley Dia: 95mm



Jayair: CM1004J

CM8003
Jaguar XJ

Model: GMA6
Voltage: 12V
Pulley Type: 1A
Pulley Dia: 134mm



New

CM8007
Jaguar XJ

Model: GMA6
Voltage: 12V
Pulley Type: 1A
Pulley Dia: 127mm



Remanufactured

CM5846
Jaguar XJ12, 1/94-12/02
Jaguar XJ6, X300, 3.2, 4.0Lt 9/94-9/97
Jaguar XJR, 4.0Lt, 9/94-9/97

Model: 10PA17C
Voltage: 12V
Pulley Type: 4PV
Pulley Dia: 126mm
Body # 447200-4140
Clutch # 447300-3710



Manifold Not Supplied

CM7895
Jaguar XJ300, XJ400

Model: SD7H15
Model # 7895
Voltage: 12V
Pulley Type: 7PV
Pulley Dia: 128mm
Head: QY



CM7952

Jaguar XJ40, 3.2, 4.0Lt, 11/93>

Model: SD7H15
 Model # 8040
 Voltage: 12V
 Pulley Type: 2A
 Pulley Dia: 140mm
 Head: QC



Dust Cover

CM7954

Jaguar XJ40, 3.2, 4.0Lt, 10/91-11/94

Model: SD7H15
 Model # 7954
 Voltage: 12V
 Pulley Type: 1A
 Pulley Dia: 132mm
 Head: QY

**CM5844**Jaguar XJ8, 3.2, 4.0Lt, 7/97-5/03
Jaguar XK8, 4.0Lt, 2/98>

Model: 10PA17C
 Voltage: 12V
 Pulley Type: 7PV
 Pulley Dia: 125mm
 Body # 447200-4500
 Clutch # 447300-5380

**CM5640**

Jaguar XJ8, 3.2, 4.0Lt, 10/97>

Model: 10PA17C
 Voltage: 12V
 Pulley Type: 7PV
 Pulley Dia: 125mm
 Body # 447200-5420
 Clutch # 447300-5380

**CM5842**Jaguar XK, X103, 1/02-12/06
Jaguar XK8, 4.0, 4.2Lt, 3/96-2/06
Jaguar XKR, 4.0, 4.2Lt, 3/98>

Model: 10PA17C
 Voltage: 12V
 Pulley Type: 6PV
 Pulley Dia: 120mm
 Body # 447200-5420
 Clutch # 247300-1060



JCB/Jeep

CM8647

JCB

Model: SD7H15
 Model # 4647
 Voltage: 12V
 Pulley Type: 2A
 Pulley Dia: 132mm
 Head: JDA



Replaces: 4713

CM8664

JCB

Model: SD7H15
 Model # 4664
 Voltage: 12V
 Pulley Type: 2A
 Pulley Dia: 132mm
 Head: JD



Replaces: 4644, 8104

CM8203

JCB VM115

Model: SD7H15
 Model # 8203
 Voltage: 12V
 Pulley Type: 8PV
 Pulley Dia: 120mm
 Head: WP



Dust Cover

CM5837

Jeep Cherokee, 06>


Model: HS18
 Voltage: 12V
 Pulley Type: 6PV
 Pulley Dia: 120mm



55111400AA / AB / AC

CM8639
Jeep Cherokee KJ, 9/01>

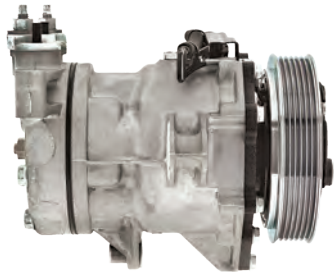
Model: SD7H15
Model # 4336
Voltage: 12V
Pulley Type: 6PV
Pulley Dia: 143mm
Head: GYA



CM3335
Jeep Cherokee KJ, 3.7Lt V6 9/01-3/08


Model: SD7H15
Model # 4335
Voltage: 12V
Pulley Type: 6PV
Pulley Dia: 130mm
Head: GYA

Replaces: 4852



CM5849
Jeep Cherokee XJ, 2.5Lt Diesel, 1/97>

Model: 10PA17C
Voltage: 12V
Pulley Type: Direct
Body # 447200-3470
Clutch # 447300-1450




55035993AB

CM4636
Jeep Cherokee XJ, Petrol, 95>


Model: SD7H15
Model # 4828
Voltage: 12V
Pulley Type: 6PV
Pulley Dia: 119mm
Head: SJ

Replaces: 4636




CM4691
Jeep Cherokee XJ, Diesel

Model: SD7H15
Model # 4691
Voltage: 12V
Pulley Type: 6PV
Pulley Dia: 119mm
Head: GN




CM5824
Jeep Grand Cherokee, 05>
Jeep Laredo, 05>

Model: 10S17C
Voltage: 12V
Pulley Type: 7PV
Pulley Dia: 120mm
Body # 447220-5601
Clutch # 247300-3350



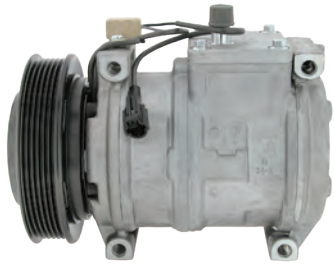
CM5815
Jeep Grand Cherokee WG, 4.7Lt V8, 00>

Model: 10PA17E
Voltage: 12V
Pulley Type: 6PV
Pulley Dia: 130mm
Body # 447220-7022
Clutch # 447300-7130




CM5820
Jeep Grand Cherokee, 4.0Lt, 3/96-7/99

Model: 10PA17C
Voltage: 12V
Pulley Type: 6PV
Pulley Dia: 136.5mm
Body # 447220-7210
Clutch # 447300-1120

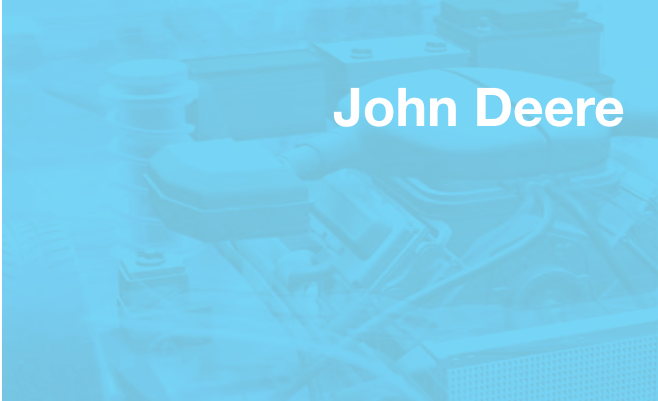


CM5833
Jeep Wrangler

Model: 10PA17E
Voltage: 12V
Pulley Type: 6PV
Pulley Dia: 130mm
Body # 447200-5933
Clutch # 447300-7130



55037617ADA



CM5448
John Deere Agricultural

Model: 10PA17C
Voltage: 12V
Pulley Type: 1A
Pulley Dia: 146mm
Body # 447200-4933
Clutch # 447300-5160



Dust Cover

RE64024A

CM5470
John Deere Agricultural

Model: 10PA17C
Voltage: 12V
Pulley Type: 8PV
Pulley Dia: 146mm
Body # 447220-7570
Clutch # 447300-0350



Picture unavailable at time of printing
 refer www.cooldrive.com.au

Dust Cover

AN221429

CM5472
John Deere Agricultural

Model: 10PA17C
Voltage: 12V
Pulley Type: 1A
Pulley Dia: 145mm
Body # 447220-7270
Clutch # 447300-0450



Dust Cover

RE55422A

CM5474
John Deere Agricultural

Model: 10PA17C
Voltage: 12V
Pulley Type: 8PV
Pulley Dia: 119mm
Body # 447200-2480
Clutch # 247300-5510

**CM5480**
John Deere Agricultural

Model: 10PA17C
Voltage: 24V
Pulley Type: 8PV
Pulley Dia: 145mm
Body # 447220-7410
Clutch # 447300-5080



Picture unavailable at time of printing
 refer www.cooldrive.com.au

Dust Cover

AT226273

CM5482
John Deere Agricultural

Model: 10PA17C
Voltage: 24V
Pulley Type: 8PV
Pulley Dia: 140mm
Body # 447220-7270
Clutch # 447300-5080



Dust Cover

AT168543A

CM5636
John Deere Agricultural

Model: 10PA17C
Voltage: 12V
Pulley Type: 8PV
Pulley Dia: 140mm
Body # 447200-5034
Clutch # 447300-0350



Dust Cover

RE69716

CM5650
John Deere Agricultural

Model: 10PA17C
Voltage: 12V
Pulley Type: 8PV
Pulley Dia: 140mm
Body # 447200-5963
Clutch # 447300-0350



Dust Cover

AH169875

CM5653
John Deere Agricultural

Model: 10PA17C
Voltage: 12V
Pulley Type: 8PV
Pulley Dia: 140mm
Body # 447220-7270
Clutch # 447300-0350



Picture unavailable at time of printing
 refer www.cooldrive.com.au

RE70016

CM5674
John Deere Agricultural

Model: 10PA17C
Voltage: 24V
Pulley Type: 8PV
Pulley Dia: 120mm
Body # 447220-7410
Clutch # 447300-7710



Dust Cover

AT211063

CM5675
John Deere Agricultural

Model: 10PA17C
Voltage: 24V
Pulley Type: 8PV
Pulley Dia: 140mm
Body # 447200-4933
Clutch # 447300-6370



Dust Cover

AT172975

CM5680
John Deere Agricultural

Model: 10PA17C
Voltage: 12V
Pulley Type: 6PV
Pulley Dia: 120mm
Body # 447200-4933
Clutch # 247300-1630



Dust Cover

RE196923

CM8550
John Deere Agricultural

Model: 6E171
Voltage: 12V
Pulley Type: 1A
Pulley Dia: 146mm



Dust Cover

CM5027
John Deere Agricultural

Model: 10PA17C
Body # 447220-7270



Clutch to suit CL1437

CM1770
John Deere Agricultural

Model: 10PA17C
Voltage: 12V
Pulley Type: 8PV
Pulley Dia: 140mm
Body # 447200-4930
Clutch # 447300-0350



Dust Cover

RE46609

CM1771
John Deere Agricultural

Model: 10PA15C
Voltage: 12V
Pulley Type: 8PV
Pulley Dia: 119mm
Body # 447200-2300
Clutch # 247300-5510



AL155836

CM1792
John Deere Agricultural

Model: 10PA17C
Voltage: 12V
Pulley Type: 1A
Pulley Dia: 145mm
Body # 447200-4930
Clutch # 447300-0450



Dust Cover

RE46657

CM1793
John Deere Agricultural

Model: 10PA17C
Voltage: 24V
Pulley Type: 1A
Pulley Dia: 145mm
Body # 447220-7270
Clutch # 447300-2040



Dust Cover

AT163728

Kato Crane/Kenworth

CM5345
Kato Crane

Model: 10P13E
Voltage: 24V
Pulley Type: 1A
Pulley Dia: 137mm
Body # 447200-7343
Clutch # 447300-1940



CM8660
Kenworth MX

Model: SD7H15
Model # 4660
Voltage: 12V
Pulley Type: 8PV
Pulley Dia: 119mm
Head: JDA

Replaces: U4711



CM8664
Kenworth Truck

Model: SD7H15
Model # 4664
Voltage: 12V
Pulley Type: 2A
Pulley Dia: 132mm
Head: JD

Replaces: 4644, 8104



CM8040
Kenworth Truck

Model: SD7H15
Model # 4040
Voltage: 12V
Pulley Type: 6PV
Pulley Dia: 125mm
Head: GQ

Replaces: 4792, 4425



CM7069
Kenworth Truck

Model: SD7H15
Model # 4069
Voltage: 12V
Pulley Type: 8PV
Pulley Dia: 119mm
Head: JD

Super Heavy Duty
Long Haul



CM7949
Kenworth Truck

Model: SD7H15
Model # 7949
Voltage: 12V
Pulley Type: 2A
Pulley Dia: 125mm
Head: FZ



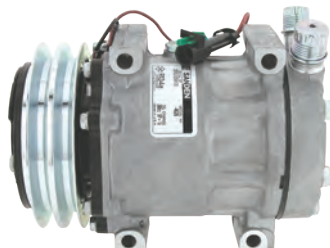
CM7950
Kenworth Truck

Model: SD7H15
Model # 7950
Voltage: 12V
Pulley Type: 1C
Pulley Dia: 153mm
Head: FZ



CM4626
Kenworth Truck

Model: SD7H15
Model # 4626
Voltage: 12V
Pulley Type: 2A
Pulley Dia: 132mm
Head: JD



CM7086
Kenworth Truck K108, 7/08>

Model: SD7H15
Model # 4086
Voltage: 12V
Pulley Type: 8PV
Pulley Dia: 119mm
Head: KH

Replaces: 4391
Super Heavy Duty
Long Haul



CMA941
Kenworth Truck T350, <6/08

Model: SD7H15
Model # A941
Voltage: 12V
Pulley Type: 8PV
Pulley Dia: 119mm
Head: QC



CM8083
Kenworth Truck T350, T4, T6, T9

Model: SD7H15
Model # 8083
Voltage: 12V
Pulley Type: 8PV
Pulley Dia: 119mm
Head: JE



CM7392

Kenworth Truck, K104B, T358, T388

Model: SD7H15
Model # 4260
Voltage: 12V
Pulley Type: 2A
Pulley Dia: 126mm
Head: JE



Replaces: 4392
 Super Heavy Duty
 Long Haul

CM7384

Kenworth Truck

Model: SD7H15
Model # 4384
Voltage: 12V
Pulley Type: 10PV
Pulley Dia: 126mm
Head: GQ



Long Haul



Kia

CM7328

Kia Carnival, KV11, 2.5Lt V6, 10/03-2/07

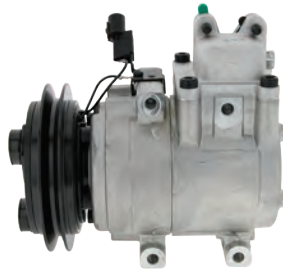
Model: 10PA17C
Voltage: 12V
Pulley Type: 6PV
Pulley Dia: 120mm



CM1893

Kia Ceres
 Kia K2700 Truck

Model: HS15
Pulley Type: 1A



Use OE Manifold

97701-4E201
 97701-4E200

CM7338

Kia Grand Carnival, 3.8Lt V6, 1/06-5/10

Model: 10S20C
Voltage: 12V
Body # 447260-8780



97701-4D811

CM1891

Kia K2900 Truck

Model: HS15
Voltage: 12V
Pulley Type: 4PV
Pulley Dia: 118mm



97701-4E001
 97701-4E000

CM1823

Kia Magentis

Model: VS18
Voltage: 12V
Pulley Type: 6PV
Pulley Dia: 124mm



CM7326

Kia Mentor

Model: 10PA15C
Voltage: 12V
Pulley Type: 4PV
Pulley Dia: 140mm



CM1899

Kia Optima

Model: HS17
Voltage: 12V
Pulley Type: 6PV
Pulley Dia: 128mm



97701-39881

CM1892
Kia Pregio, 2.7Lt 4 cyl 7/02>

Model: V5
Voltage: 12V
Pulley Type: 1A
Pulley Dia: 132mm



CM1913
Kia Rio JB, 1.4 1.6Lt, 2/05>

Model: 6SEU16C
Voltage: 12V
Pulley Type: 4PV
Pulley Dia: 120mm



CM1894
Kia Rio

Model: HS15
Voltage: 12V
Pulley Type: 4PV
Pulley Dia: 123mm



97701-FD000

CM1889
Kia Sorrento, 3.5Lt V6, 03>

Model: FS10
Voltage: 12V
Pulley Type: 4PV
Pulley Dia: 117mm



CM7324
Kia Sportage

Model: 10PA15C
Voltage: 12V
Pulley Type: 1A
Pulley Dia: 133mm



0K61B61450B



CM1785
Komatsu

Model: 10PA15C
Body # 447200-1740

Clutch to suit CL7300

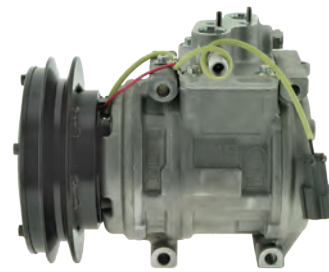
Use OE Manifold



CM1861
Komatsu

Model: 10PA15C
Voltage: 24V
Pulley Type: 1B
Pulley Dia: 150mm
Body # 447200-0240
Clutch # 447300-1440

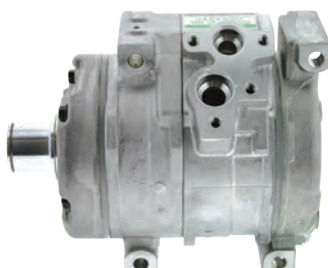
20Y-979-3111
20Y-979-6121



CM5465
Komatsu Dump Truck

Model: 10S15C
Body # 447220-4781

Clutch to suit CL1470



CM8331
Komatsu Excavator

Model: DKS15CH
Voltage: 24V
Pulley Type: 1B
Pulley Dia: 138mm



CM5348
Komatsu Machinery

Model: 10PA15C
Body # 447200-0246

Clutch to suit CL1432
CL1436 or CL1441



CM8382
Komatsu Mini Loader

Model: DKS15CH
Voltage: 12V
Pulley Type: 1A
Pulley Dia: 135mm



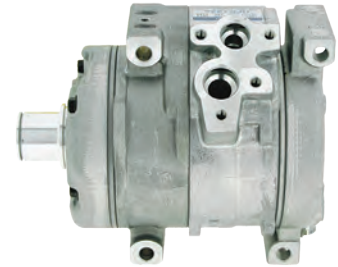
CM8372
Komatsu PC228

Model: DKS15CH
Voltage: 24V
Pulley Type: 1B
Pulley Dia: 147mm



CM1784
Komatsu PC300

Model: 10S15C
Body # 447220-4050



CM5442
Komatsu PC300

Model: 10S15C
Voltage: 24V
Pulley Type: 1B
Pulley Dia: 150mm
Body # 447220-4050
Clutch # 247300-0510

Dust Cover



CM8383
Komatsu TCM

Model: DKS16H
Voltage: 24V
Pulley Type: 1B
Pulley Dia: 150mm

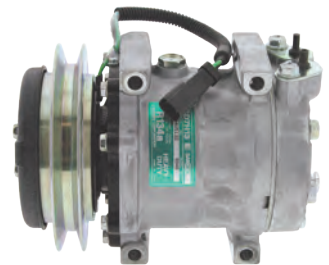
331A107A95300
967B54118



CM8948
Komatsu WA 430A

Model: SD7H13
Model # 8948
Voltage: 24V
Pulley Type: 1B
Pulley Dia: 146mm
Head: WL

Dust Cover
Heavy Duty



CM6314
Komatsu WA500 Loader

Model: SD5H14
Model # 5314
Voltage: 24V
Pulley Type: 1B
Pulley Dia: 146mm
Head: ZC

Dust Cover
Heavy Duty



CM1536
Komatsu WB975, WB97R

Model: HR6
Voltage: 12V
Pulley Type: 1A
Pulley Dia: 133mm



Picture unavailable at time of printing
refer www.cooldrive.com.au

Kubota/Lamborghini/
Lancia

CM4680
Kubota Excavator

Model: 10PA15C
Voltage: 12V
Pulley Type: 1A
Pulley Dia: 143mm
Body # 447200-0240
Clutch # 447300-2230



CM5348
Kubota Excavator

Model: 10PA15C
Body # 447200-0246

Clutch to suit CL1432
CL1436 or CL1441



CM5347
Kubota M90

Model: SCSA06C
Body # 447220-6450



CM5659
Lamborghini Gallardo

Model: 7SEU17C
Voltage: 12V
Pulley Type: Direct
Body # 447260-0580
Clutch # 248300-0260



CM1150
Lancia

Model: SD7V16
Model # 1150
Voltage: 12V
Pulley Type: 6PV
Pulley Dia: 125mm
Head: VPB



Land Rover

CM5576
Land Rover Defender 90, 2.5Lt TD, 4/98-9/06
Land Rover Discovery II, 2.5Lt TD, Tdi
1/99-6/04

Model: 10PA17C
Voltage: 12V
Pulley Type: 7PV
Pulley Dia: 125mm
Body # 447200-4960
Clutch # 447300-7880



JPB101330

CM5577
Land Rover Defender 110, 3.9Lt, 11/98-9/03
Land Rover Discovery I, 3.5Lt
10/89-6/94

Model: 10PA17C
Voltage: 12V
Pulley Type: 7PV
Pulley Dia: 135mm
Body # 447200-3420
Clutch # 447300-1270



BTR5750

CM8089
Land Rover Defender, 2.5Lt Diesel, 99-02

Model: SD7H15
Model # 8089
Voltage: 12V
Pulley Type: 7PV
Pulley Dia: 120mm
Head: WN



CM5847
Land Rover Discovery, TD5

Model: SD7H15SHD
Model # 4399
Voltage: 12V
Pulley Type: 7PV
Pulley Dia: 119mm
Head: GV



Super Heavy Duty

CM5632

Land Rover Discovery, 4.0Lt V6, 4/05-9/09

Model: 7SEU17C
Voltage: 12V
Pulley Type: 6PV
Pulley Dia: 100mm
Body # 447220-9930
Clutch # 248300-0760



CM5635

Land Rover Discovery, 2.7, 4.4Lt V8, 1/04>

Model: 7SEU17C
Voltage: 12V
Pulley Type: 6PV
Pulley Dia: 110mm
Body # 447220-9930
Clutch # 248300-0770



CM5846

Land Rover Discovery, 2.5Lt, 10/89-12/98

Model: 10PA17C
Voltage: 12V
Pulley Type: 4PV
Pulley Dia: 126mm
Body # 447200-4140
Clutch # 447300-3710



Picture unavailable at time of printing
refer www.cooldrive.com.au

Manifold Not Supplied

CM5630

Land Rover Discovery, 9/93>

Model: 10PA17C
Voltage: 12V
Pulley Type: 6PV
Pulley Dia: 126mm
Body # 447200-3420
Clutch # 447300-1320



CM3290

Land Rover Discovery I, 2.5Lt Diesel, 89-94

Model: 10PA17C
Voltage: 12V
Pulley Type: 4PV
Pulley Dia: 110mm
Body # 447200-3430
Clutch # 447300-1280



CM1218

Land Rover Freelander, 2.5Lt V6, 01-07

Model: PXV16
Model # 8621
Voltage: 12V
Pulley Type: 6PV
Pulley Dia: 120mm



JPB500130

CM5649

Land Rover Freelander, 2.5Lt, 10/00-10/06

Model: 7SBU16C
Voltage: 12V
Pulley Type: 6PV
Pulley Dia: 120mm
Body # 447220-8530
Clutch # 447300-8230



CM5581

Land Rover Freelander, 2.0Lt, 10/00-10/06

Model: 7SBU16C
Voltage: 12V
Pulley Type: 5PV
Pulley Dia: 126mm
Body # 447220-8510
Clutch # 447300-8250



JPB101460

CM5591

Land Rover Freelander, 1.8Lt, 10/00-10/06

Model: 7SBU16C
Voltage: 12V
Pulley Type: 5PV
Pulley Dia: 126mm
Body # 447220-8500
Clutch # 447300-8240

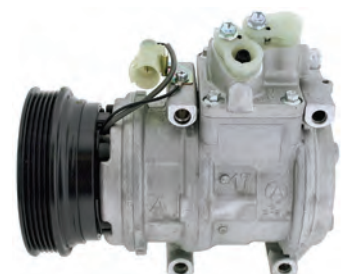


JPB101450

CM5562

Land Rover Freelander, 1.8Lt, 10/00-10/06

Model: 10PA17C
Voltage: 12V
Pulley Type: 5PV
Pulley Dia: 126mm
Body # 447200-4800
Clutch # 447300-6270



AWR1459

CM5766

Land Rover Freelander, 1.8Lt, 1/99-11/00

Model: 10S17C
Voltage: 12V
Pulley Type: 5PV
Pulley Dia: 126mm
Body # 447220-4080
Clutch # 247300-0180



JPB000030

CM5565

Land Rover Freelander, 2.0Lt Diesel, 98>

Model: 10PA17C
Voltage: 12V
Pulley Type: 6PV
Pulley Dia: 126mm
Body # 447200-4810
Clutch # 447300-6260



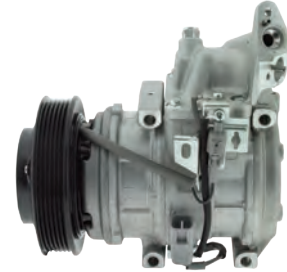
AWR1458

Lexus

CM1679

Lexus ES300 MCV20R, 3.0Lt, V6, 8/96>

Model: 10PA17C
Voltage: 12V
Pulley Type: 6PV
Pulley Dia: 130mm
Body # 447200-5010
Clutch # 447300-6630



Jayair: CM1679J

CM5399

Lexus GS300 JZS160R, 3.0Lt, V6, 11/00>

Model: 7SB16H
Body # 447200-9812
Clutch # 447300-6930

**CM5403**Lexus IS200, 1/99-05
Lexus IS300, 1/99-05

Model: 10S15C
Voltage: 12V
Pulley Type: 4PV
Pulley Dia: 140mm
Body # 447220-3170
Clutch # 447300-8180

**CM5852**

Lexus IS F, USE20R, 10/08>

Model: 7SBU17C
Voltage: 12V
Pulley Type: 6PV
Pulley Dia: 114mm
Body # 447260-1008
Clutch # 247300-5280



88310-50160

CM5363

Lexus IS350, GSE21R, 10/10>

Model: 6SBU16C
Voltage: 12V
Pulley Type: 7PV
Pulley Dia: 117mm
Body # 447260-1469
Clutch # 247300-5101

**CM1765**Lexus LS400
Lexus LX470 UZJ100R, 4.7Lt V8, 5/98-3/08

Model: 10PA20C
Voltage: 12V
Pulley Type: 6PV
Pulley Dia: 125mm
Body # 447200-6540
Clutch # 447300-7590

**CM5400**

Lexus LS400 UCF20R, V8, 10/94-6/97

Model: 10PA20C
Voltage: 12V
Pulley Type: 6PV
Pulley Dia: 130mm
Body # 447200-6790
Clutch # 447300-2640



CM5328

Lexus LS400 UCF10R, V8, 12/89-10/94

Model: 10PA20C
Voltage: 12V
Pulley Type: 6PV
Pulley Dia: 110mm
Body # 147200-7620
Clutch # 047300-6526



CM1872

Lexus LX570 URJ201R, 5.7Lt V8, 4/08>

Model: 10SR19C
Voltage: 12V
Pulley Type: 6PV
Pulley Dia: 115mm
Body # 447280-0032
Clutch # 247300-5762



CM5404

Lexus RX350, GSU35R, 2/06>

Model: 10S17C
Voltage: 12V
Pulley Type: 6PV
Pulley Dia: 125mm
Body # 447220-3277
Clutch # 247300-2400



CM5623

Lexus RX450H, GLY15R, 6/09>

Model: ES27C

88370-48030



**Mack Truck/Manitou/
Massey Ferguson**

CMA921

Mack Magnum Truck

Model: SD7H15
Model # A921
Voltage: 24V
Pulley Type: 8PV
Pulley Dia: 119mm
Head: KG



CM8093

Mack Premium 370 DCI, 06

Model: SD7H15
Model # 8093
Voltage: 24V
Pulley Type: 5PV
Pulley Dia: 119mm



CM7865

Mack Titan

Model: SD7H15
Model # 8099
Voltage: 12V
Pulley Type: 6PV
Pulley Dia: 119mm
Head: JDA

Replaces: 8032
 Dust Cover



CM8981

Mack Titan

Model: SD7H15
Model # 4891A
Voltage: 12V
Pulley Type: 6PV
Pulley Dia: 125mm
Head: WV

Super Heavy Duty



CM8883

Mack Truck

Model: SD7H15HD
Model # 4883
Voltage: 12V
Pulley Type: 6PV
Pulley Dia: 125mm
Head: JD

Heavy Duty



CM6312
Mack Truck

Model: SD7H15
Model # 4326A
Voltage: 12V
Pulley Type: 8PV
Pulley Dia: 176mm
Head: WV



CM1536
Manitou Forklift

Model: HR6
Voltage: 12V
Pulley Type: 1A
Pulley Dia: 133mm



Picture unavailable at time of printing
refer www.cooldrive.com.au

CM1822
Massey Ferguson Tractor

Model: SP10
Voltage: 12V
Pulley Type: 2A
Pulley Dia: 120mm

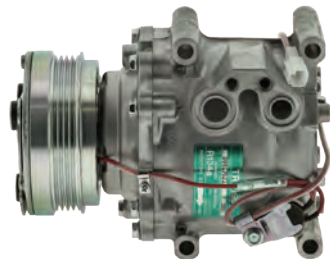


717638, 717638



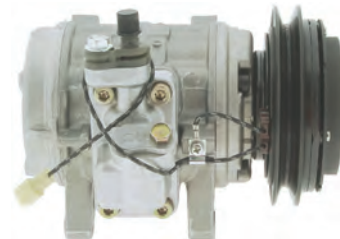
CM3089
Mazda 121, Metro, 1.3Lt, 94-02

Model: TRS090
Model # 3089
Voltage: 12V
Pulley Type: 4PV
Pulley Dia: 100mm
Head: P



CM5371
Mazda 121, 87>

Model: 10P13A
Voltage: 12V
Pulley Type: 1A
Pulley Dia: 137mm
Body # 047200-4862
Clutch # 047300-1910



CM5730
Mazda 2, DE 1.5Lt, 08>

Model: Panasonic
Voltage: 12V
Pulley Type: 6PV
Pulley Dia: 115mm



Rear Lugs = 77mm

V09A1AA4AK

CM5727
Mazda 2, DY 1.5Lt, 02-08

Model: Panasonic
Voltage: 12V
Pulley Type: 6PV
Pulley Dia: 116mm

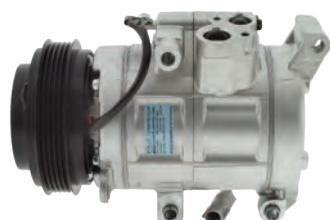


Rear Lugs = 50mm

H12A1AG4DY

CM0325
Mazda 3, 09>

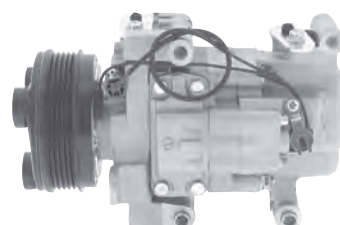
Model: HS18N
Voltage: 12V
Pulley Type: 5PV
Pulley Dia: 118mm



F500-RN8AA-07P

CM5733
Mazda 3, SP23, BK, 2.0, 2.3Lt, 1/04>

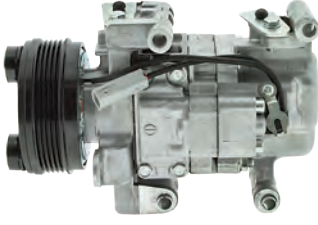
Model: Panasonic
Voltage: 12V
Pulley Type: 5PV
Pulley Dia: 105mm



BP4S61K00

CM5733-01
Mazda 3, SP23, BK, 2.0, 2.3Lt, 1/04>

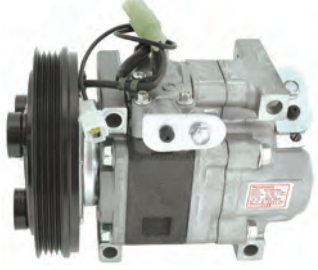
Model: Panasonic
Voltage: 12V
Pulley Type: 5PV
Pulley Dia: 105mm



BP4S61K00

CM5067
Mazda 323 BJ, 99-12/03


Model: Panasonic
Voltage: 12V
Pulley Type: 4PV
Pulley Dia: 140mm



H12A0AH4EL


CM3046
Mazda 323, Astina, 95-97

Model: TRS090
Model # 3046
Voltage: 12V
Pulley Type: 5PV
Pulley Dia: 100mm
Head: D



CM5059
Mazda 323, Astina BA, BP, 1.8Lt, 94-96


Model: Panasonic
Voltage: 12V
Pulley Type: 4PV
Pulley Dia: 120mm



N13A1AL4JN

CM5054
Mazda 323, 1.6Lt

Model: Panasonic
Voltage: 12V
Pulley Type: 5PV
Pulley Dia: 125mm



SA11A1AA4PN

CM5738
Mazda 6, GH, 2.5Lt, 2/08-9/11

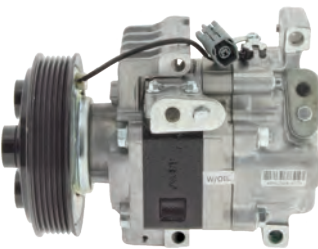
Model: DKS17DS
Voltage: 12V
Pulley Type: 6PV
Pulley Dia: 137mm



Z0010923A

CM5736
Mazda 6, GY, GG, 2.0Lt Diesel, 2.3Lt Petrol, >08


Model: Panasonic
Voltage: 12V
Pulley Type: 6PV
Pulley Dia: 125mm



GK2G-61450M
5M81-19D629BA

CM5736J
Mazda 6, GY, GG, 2.0Lt Diesel, 2.3Lt Petrol, >08

Model: Panasonic
Voltage: 12V
Pulley Type: 6PV
Pulley Dia: 125mm

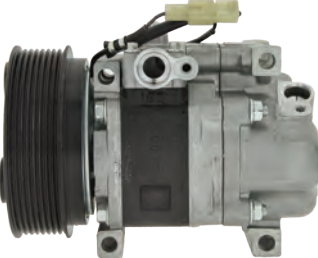


GK2G-61450M
5M81-19D629BA

CM5759
Mazda 6, Diesel, 02>


Model: Panasonic
Voltage: 12V
Pulley Type: 8PV
Pulley Dia: 124mm

Captive Oring Ports
Jayair Brand
H12A0CA4JE



CM5061
Mazda 626, 6/97-99

Model: Panasonic
Voltage: 12V
Pulley Type: 5PV
Pulley Dia: 125mm



H12A0AX4JU

CM5605

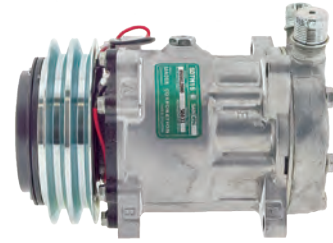
Mazda 626, 2.5Lt, 90-94

Model: Panasonic
Voltage: 12V
Pulley Type: 5PV
Pulley Dia: 138mm

**CM7863**

Mazda B Series, 83-95

Model: SD7H15
Model # 8031
Voltage: 12V
Pulley Type: 2A
Pulley Dia: 132mm
Head: JE



Jayair: CM7863J

CM5376

Mazda B2500, 5/96>

Model: 10P13C
Voltage: 12V
Pulley Type: 1A
Pulley Dia: 143mm
Body # 447200-8820
Clutch # 447300-5670

**CM1651**

Mazda B2600, 2.6Lt, 11/93>

Model: 10P13C
Voltage: 12V
Pulley Type: 1A
Pulley Dia: 137mm
Body # 447200-8020
Clutch # 447300-3180

**CM1754**

Mazda Bravo

Model: 10P13C
Voltage: 12V
Pulley Type: 1A
Pulley Dia: 135mm
Body # 147200-2220
Clutch # 047300-8810

**CM5750**

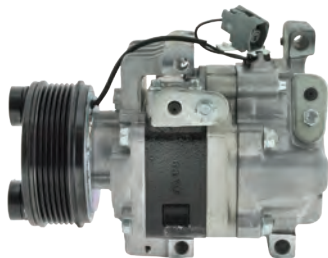
Mazda BT50, 2.5, 3.0Lt Diesel, 12/06>

Model: HS15
Voltage: 12V
Pulley Type: 1A
Pulley Dia: 142mm

**CM5737**

Mazda CX-7, 07- 9/09

Model: Panasonic
Voltage: 12V
Pulley Type: 6PV
Pulley Dia: 105mm



H12A1AL4HX

CM5737J

Mazda CX-7, 07- 9/09

Model: Panasonic
Voltage: 12V
Pulley Type: 6PV
Pulley Dia: 105mm

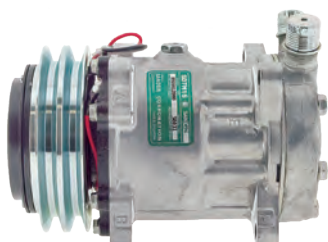


H12A1AL4HX

CM7863

Mazda E Series, 84>

Model: SD7H15
Model # 8031
Voltage: 12V
Pulley Type: 2A
Pulley Dia: 132mm
Head: JE



Jayair: CM7863J

CM7319


Mazda E2500

Model: SD7H13
Model # 7319
Voltage: 12V
Pulley Type: 4PV
Pulley Dia: 119mm
Head: US



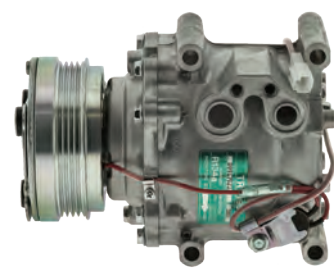
CM8376
Mazda E2500

Model: DKS17CH
Voltage: 12V
Pulley Type: 1A
Pulley Dia: 125mm




CM3089
Mazda MX-5, NB30P1, NB30P2, 98-04

Model: TRS090
Model # 3089
Voltage: 12V
Pulley Type: 4PV
Pulley Dia: 100mm
Head: P



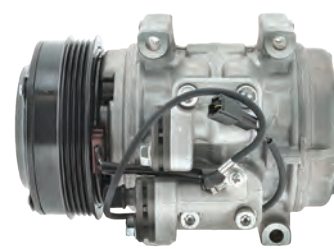
CM1601
Mazda MX-5, 11/93>

Model: TV12V
Voltage: 12V
Pulley Type: 4PV
Pulley Dia: 126mm
Body # 442500-2590
Clutch # 447300-1950



CM5375
Mazda MX-5, 89-93


Model: 10P13F
Voltage: 12V
Pulley Type: 4PV
Pulley Dia: 125mm
Body # 047200-7611
Clutch # 047300-7020



CM5378
Mazda RX8, 7/03>

Model: SCSA06C
Voltage: 12V
Pulley Type: 4PV
Pulley Dia: 93mm
Body # 447260-7920
Clutch # 247300-3060


F15161K00
F15161K00A



CM7863
Mazda T Series, 3.5, 4.0, 4.6Lt


Model: SD7H15
Model # 8031
Voltage: 12V
Pulley Type: 2A
Pulley Dia: 132mm
Head: JE

Jayair: CM7863J




CMA930
Mazda T Series Truck

Model: SD7H15
Model # 8130A
Voltage: 12V
Pulley Type: 1B
Pulley Dia: 146mm
Head: US



CM7319
Mazda T Series Truck

Model: SD7H13
Model # 7319
Voltage: 12V
Pulley Type: 4PV
Pulley Dia: 119mm
Head: US



CM7888
Mazda T4000

Model: SD7H15
Model # 7866
Voltage: 24V
Pulley Type: 2A
Pulley Dia: 132mm
Head: JE

Replaces: 8042
Dust Cover
Jayair: CM7888J



CM5744
Mazda Tribute, V6, 01-07

Model: FS10, SE10D17
Voltage: 12V
Pulley Type: 6PV
Pulley Dia: 127mm

replaces Y18H19D629E8



CM5746

Mazda Tribute MY04, 2.3Lt V6, 1/04-5/06

Model: HS18
Voltage: 12V
Pulley Type: 6PV
Pulley Dia: 118mm



6L8419D629DB

McCormick Tractors/ Mercedes Benz

CM4609

McCormick Tractors

Model: SD7H15
Model # 4478
Voltage: 12V
Pulley Type: 2A
Pulley Dia: 152mm
Head: MD



Replaces: 4609
 Sealed Clutch
 Heavy Duty

CM1786

Mercedes 300D, 300TD, E300D, 3/85-6/95

Model: 10PA15C
Body # 447200-2620



Clutch to suit CL1451

CM5656

Mercedes 300D, 300TD, E300D, 3/85-6/95

Model: 10PA15C
Voltage: 12V
Pulley Type: 6PV
Pulley Dia: 135mm
Body # 447200-0020
Clutch # 447300-0200



A 000 230 12 11

CM5467

Mercedes A Class, W169 A160, A180, A200, CDi, 04>

Model: 6SEU16C
Voltage: 12V
Pulley Type: 5PV
Pulley Dia: 110mm
Body # 447260-2380
Clutch # 248300-2600

**CM5548**

Mercedes A Class, A140, A160, A170, A21 AMG, 6/97>

Model: 6SEU12C
Voltage: 12V
Pulley Type: 5PV
Pulley Dia: 110mm
Body # 447260-3450
Clutch # 447300-9000



A 000 230 79 11

CM5456

Mercedes A Class, W168, 6/97>

Model: 6SEU14C
Voltage: 12V
Pulley Type: 5PV
Pulley Dia: 110mm
Body # 447220-8870
Clutch # 248300-0110



Picture unavailable at time of printing
 refer www.cooldrive.com.au

CM5463

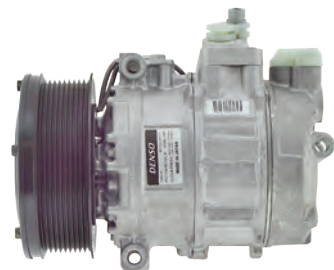
Mercedes Actros

Model: 7SBU16C
Voltage: 24V
Pulley Type: 9PV
Pulley Dia: 126mm
Body # 447260-8090
Clutch # 247300-4660

**CM5466**

Mercedes Actros, 96-02

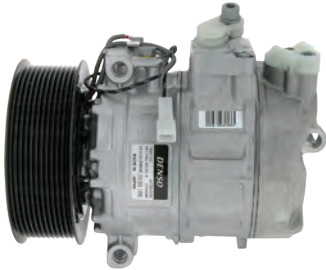
Model: 7SBU16C
Voltage: 24V
Pulley Type: 9PV
Pulley Dia: 130mm
Body # 447260-3290
Clutch # 247300-5360



Dust Cover


A 541 230 07 11

CM5462
Mercedes Actros, 96-03



Model: 7SBU16C
Voltage: 24V
Pulley Type: 11PV
Pulley Dia: 134mm
Body # 447220-8090
Clutch # 247300-4680


CM5468
Mercedes Actros, 99>



Model: 10PA15C
Voltage: 24V
Pulley Type: 9PV
Pulley Dia: 130mm
Body # 447200-0010
Clutch # 247300-4650

A 541 230 01 11

CM5545
Mercedes Atego 90, 1/89-12/98



Model: 10PA15C
Voltage: 24V
Pulley Type: 11PV
Pulley Dia: 135mm
Body # 447200-0010
Clutch # 247300-4670

A 000 230 15 11

CM5467
Mercedes B Class, W245, B180, B200, Cdi 05>




Model: 6SEU16C
Voltage: 12V
Pulley Type: 5PV
Pulley Dia: 110mm
Body # 447260-2380
Clutch # 248300-2600

CM5473
Mercedes C Class, W204, C200, C220 Cdi C230, C280, C350, 07>



Model: 6SEU16C
Voltage: 12V
Pulley Type: 6PV
Pulley Dia: 110mm
Body # 447260-1880
Clutch # 248300-2790


CM5829
Mercedes C Class, W204, C180, C200 Kompressor, 1/07>



Model: 6SEU16C
Voltage: 12V
Pulley Type: 7PV
Pulley Dia: 120mm
Body # 447260-2160
Clutch # 247300-2800

A 002 230 30 11

CM5667
Mercedes C Class, W203, C320, 1/05>
Mercedes CLS Class, W219, CLS320, 3/05>



Model: 6SEU16C
Voltage: 12V
Pulley Type: 7PV
Pulley Dia: 100mm
Body # 447260-0270
Clutch # 248300-1190


A 001 230 86 11

CM5785
Mercedes C Class, W203, C240, C320 6/00-8/05



Model: 7SEU17C
Voltage: 12V
Pulley Type: 6PV
Pulley Dia: 100mm
Body # 447280-6080
Clutch # 248300-0230

CM5491
Mercedes C Class, W203, C240, C320, 6/00>
Mercedes CL Class, C215, CL500, 9/99-7/03



Model: 7SEU17C
Voltage: 12V
Pulley Type: 6PV
Pulley Dia: 100mm
Body # 447260-3260
Clutch # 248300-0230

CM5536
Mercedes C Class, W203, C180, C200, C230 C240, C270, C280, C320, 6/00>
Mercedes CL Class, C215, CL600, CL55 AMG 9/99>



Model: 7SE017C
Voltage: 12V
Pulley Type: 6PV
Pulley Dia: 115mm

A 000 230 90 11

CM5569

Mercedes C Class, W203, C180, C200, C230
C240, C270, C280, C320, 6/00>
Mercedes CL Class, C215, CL600, CL55 AMG
9/99>

Model: 7SEU17C
Voltage: 12V
Pulley Type: 6PV
Pulley Dia: 110mm
Body # 447260-3260
Clutch # 248300-0250

**CM5583**

Mercedes C Class, W203, C180, C200, C230, 5/02-1/08
Mercedes CL Class, CL203, C Coupe Sport
C160 Kompressor, 5/02-7/06
Mercedes CLK Class, C209, CLK200
8/02-7/05

Model: 7SEU17C
Voltage: 12V
Pulley Type: 7PV
Pulley Dia: 120mm
Body # 447260-0230
Clutch # 248300-0740

**CM5489**

Mercedes C Class, W203, 4/03-11/08

Model: 7SEU17C
Voltage: 12V
Pulley Type: 6PV
Pulley Dia: 110mm
Body # 447260-3990
Clutch # 248300-0250

**CM5520**

Mercedes C Class, W202, C180, C200, C220
C230, C240, C250, C280, 6/93>

Model: 6CA17C
Voltage: 12V
Pulley Type: 6PV
Pulley Dia: 126mm
Body # 447200-9050
Clutch # 447300-0460



A 000 230 13 11

CM5518

Mercedes C Class, W202, 6/93>
Mercedes CLK Class, C208, 4/97>

Model: 7SBU16C
Voltage: 12V
Pulley Type: 6PV
Pulley Dia: 120mm
Body # 447220-8080
Clutch # 447300-4170



A 000 230 20 11
A 000 230 70 11
Jayair: CM5518J

CM5691

Mercedes CL Class, C215, CL65 AMG
4/03>

Model: 7SEU17C
Voltage: 12V
Pulley Type: 7PV
Pulley Dia: 103mm
Body # 447260-2620
Clutch # 248300-0130

**CM5543**

Mercedes CL Class, C140, CL420, CL500
1/96-12/99

Model: 10PA20C
Voltage: 12V
Pulley Type: 8PV
Pulley Dia: 120mm
Body # 447200-6010
Clutch # 447300-0020



A 000 230 04 11

CM5522

Mercedes CL Class, C140, CL600 ,7/96-8/99

Model: 10PA20C
Voltage: 12V
Pulley Type: 8PV
Pulley Dia: 120mm
Body # 447200-6000
Clutch # 447300-0010



A 000 230 03 11

CM5785

Mercedes CLS Class, W219, CLS500
7/04-3/06

Model: 7SEU17C
Voltage: 12V
Pulley Type: 6PV
Pulley Dia: 100mm
Body # 447280-6080
Clutch # 248300-0230

**CM5683**

Mercedes CLS Class, W219, CLS280, CLS350
CLS500, CLS55 AMG, 7/04>

Model: 7SEU17C
Voltage: 12V
Pulley Type: 6PV
Pulley Dia: 110mm
Body # 447260-3130
Clutch # 248300-0250



CM5655
Mercedes CLS Class, W219, CLS350
CLS55 AMG, CLS500, 7/04>

Model: 6SEU16C
Voltage: 12V
Pulley Type: 6PV
Pulley Dia: 110mm
Body # 447260-0270
Clutch # 248300-0250



CM5663
Mercedes E Class, W212, E500, 7/09>


Model: 6SEU16C
Voltage: 12V
Pulley Type: 6PV
Pulley Dia: 110mm
Body # 447260-3073
Clutch # 248300-2792



A 002 230 38 11


CM5689
Mercedes E Class, W212, E200, E220
E250 CDI, E350i, E350 CGi, 3/09>

Model: 6SEU16C
Voltage: 12V
Pulley Type: 6PV
Pulley Dia: 110mm
Body # 447260-2170
Clutch # 247300-2790



CM5838
Mercedes E Class, W211, E200 Kompressor, 4/06-3/09

Model: 7SEU17C
Voltage: 12V
Pulley Type: 7PV
Pulley Dia: 120mm
Body # 447220-9320
Clutch # 248300-0740




CM5496
Mercedes E Class, W211, E240, E280, E320
E500, 4/02>

Model: 7SEU17C
Voltage: 12V
Pulley Type: 6PV
Pulley Dia: 100mm
Body # 447260-3280
Clutch # 248300-0230



CM5784
Mercedes E Class, W211, E230, E280, E350
4/06-11/09


Model: 6SEU16C
Voltage: 12V
Pulley Type: 6PV
Pulley Dia: 110mm
Body # 447260-2810
Clutch # 248300-2380



A 002 230 65 11

CM5667
Mercedes E Class, W211, E280, E320, 8/03>


Model: 6SEU16C
Voltage: 12V
Pulley Type: 7PV
Pulley Dia: 100mm
Body # 447260-0270
Clutch # 248300-1190



A 001 230 86 11

CM5683
Mercedes E Class, W211, E200, E220, E230
E270, E280, E350, E500, E55 AMG, 4/02>

Model: 7SEU17C
Voltage: 12V
Pulley Type: 6PV
Pulley Dia: 110mm
Body # 447260-3130
Clutch # 248300-0250




CM5655
Mercedes E Class, W211, E200, E220 Cdi
E280, E500, E55 AMG, 4/02>

Model: 6SEU16C
Voltage: 12V
Pulley Type: 6PV
Pulley Dia: 110mm
Body # 447260-0270
Clutch # 248300-0250



CM5583
Mercedes E Class, W211, E200 Kompressor
8/02>

Model: 7SEU17C
Voltage: 12V
Pulley Type: 7PV
Pulley Dia: 120mm
Body # 447260-0230
Clutch # 248300-0740



CM5518

Mercedes E Class, W124, W210, 10/92>

Model: 7SBU16C
Voltage: 12V
Pulley Type: 6PV
Pulley Dia: 120mm
Body # 447220-8080
Clutch # 447300-4170



A 000 230 20 11
A 000 230 70 11
Jayair: CM5518J

CM5529Mercedes E Class, W124, E230, 260, E280
300, E320 3/85-3/98

Model: 10PA17C
Voltage: 12V
Pulley Type: 6PV
Pulley Dia: 120mm
Body # 447200-3000
Clutch # 447300-0040



A 000 230 05 11

CM1786

Mercedes E Class, W124, E200D, 3/85-5/93

Model: 10PA15C
Body # 447200-2620



Clutch to suit CL1451

CM5656

Mercedes E Class, W124, E200D, 3/85-5/93

Model: 10PA15C
Voltage: 12V
Pulley Type: 6PV
Pulley Dia: 135mm
Body # 447200-0020
Clutch # 447300-0200



A 000 230 12 11

CM5521Mercedes E Class, W124, E200, E220, E250
E400, E420, E500, 2/91>

Model: 10PA17C
Voltage: 12V
Pulley Type: 6PV
Pulley Dia: 126mm
Body # 447200-3010
Clutch # 447300-0120



A 000 230 06 11

CM1797Mercedes E Class, W124, E200, E220, E250
E400, E420, E500, 2/91>
Mercedes E Class, W124, 230, 260, E280, 300
E320 3/85-3/98

Model: 10PA17C
Body # 447220-7650



Clutch to suit CL1454

CM5542Mercedes E Class, W124, E200, 250D, 250TD
E250, 260, 300, 300D, E300, 1/85-1/96

Model: 10PA15C
Voltage: 12V
Pulley Type: 6PV
Pulley Dia: 126mm
Body # 447200-0020
Clutch # 447300-0190



A 000 230 11 11

CM5519

Mercedes E Class, W124, 1/85>

Model: 10P15C
Voltage: 12V
Pulley Type: 6PV
Pulley Dia: 120mm
Body # 147200-7180
Clutch # 047300-3650



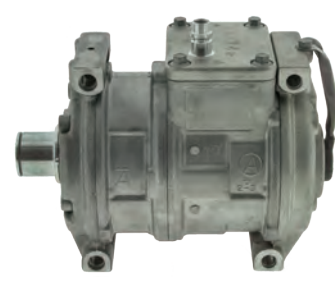
A 000 230 24 11

CM5459Mercedes G Class, W461, 250GD, 290GD
300GD, 8/87-7/96

Model: 10P15C
Voltage: 12V
Pulley Type: 1A
Pulley Dia: 122mm
Body # 047200-2920
Clutch # 047300-2640

**CM1797**Mercedes G Class, W460, W461, W463
230G, 230GE, G230, G300, 2/80-7/96


Model: 10PA17C
Body # 447220-7650



Clutch to suit CL1452

CM5529
Mercedes G Class, W460, W461, W463
230G, 230GE, G230, G300, 2/80-7/96


Model: 10PA17C
Voltage: 12V
Pulley Type: 6PV
Pulley Dia: 120mm
Body # 447200-3000
Clutch # 447300-0040



A 000 230 05 11

CM5483
Mercedes GL Class, X164 GL500, 7/06>

Model: 7SEU17C
Voltage: 12V
Pulley Type: 6PV
Pulley Dia: 110mm
Body # 447260-2300
Clutch # 248300-2380



CM5538
Mercedes M Class, W163, ML270, 6/99-7/05

Model: 7SBU16C
Voltage: 12V
Pulley Type: 6PV
Pulley Dia: 126mm
Body # 447220-8090
Clutch # 447300-8510



A 000 230 68 11
Jayair: CM5538J

CM1121
Mercedes MB100D, MB140D

Model: 10PA17C
Voltage: 12V
Pulley Type: 6PV
Pulley Dia: 110mm



661 130 34 15

CM1122
Mercedes MB140D, 2.9Lt Diesel

Model: V7
Voltage: 12V
Pulley Type: 6PV
Pulley Dia: 119mm



770026


CM5769
Mercedes ML Class, W164, ML500, 8/05>
Mercedes R Class, V251, R500, 8/05>

Model: 7SEU17C
Voltage: 12V
Pulley Type: 6PV
Pulley Dia: 100mm
Body # 447260-2950
Clutch # 248300-2510



CM5483
Mercedes ML Class, W164, ML350, 8/05>
Mercedes R Class, V251, R350, 8/05>

Model: 7SEU17C
Voltage: 12V
Pulley Type: 6PV
Pulley Dia: 110mm
Body # 447260-2300
Clutch # 248300-2380



CM5493
Mercedes ML Class, W164, ML280
ML320, ML420, 05>

Model: 7SEU17C
Voltage: 12V
Pulley Type: 8PV
Pulley Dia: 100mm
Body # 447260-2870
Clutch # 248300-1210




CM5494
Mercedes ML Class, W163, ML270, ML320
ML350, ML500, ML55 AMG, 4/98>

Model: 7SEU17C
Voltage: 12V
Pulley Type: 6PV
Pulley Dia: 110mm
Body # 447260-3250
Clutch # 248300-0250



CM5769
Mercedes S Class, W221, S450, S500, 9/05>

Model: 7SEU17C
Voltage: 12V
Pulley Type: 6PV
Pulley Dia: 100mm
Body # 447260-2950
Clutch # 248300-2510



CM5691Mercedes S Class, W220, S600, S65 AMG
9/02-8/05

Model: 7SEU17C
Voltage: 12V
Pulley Type: 7PV
Pulley Dia: 103mm
Body # 447260-2620
Clutch # 248300-0130

**CM5536**

Mercedes S Class, W220, S55 AMG, 9/02-8/05

Model: 7SEU17C
Voltage: 12V
Pulley Type: 6PV
Pulley Dia: 115mm



A 000 230 90 11

CM5569

Mercedes S Class, W220, S55 AMG, 9/02-8/05

Model: 7SEU17C
Voltage: 12V
Pulley Type: 6PV
Pulley Dia: 110mm
Body # 447260-3260
Clutch # 248300-0250

**CM5491**Mercedes S Class, W220, S280, S350
S430, S500, 7/01-9/03

Model: 7SEU17C
Voltage: 12V
Pulley Type: 6PV
Pulley Dia: 100mm
Body # 447260-3260
Clutch # 248300-0230

**CM5522**Mercedes S Class, W140, S320, S600
6/93-8/98

Model: 10PA20C
Voltage: 12V
Pulley Type: 8PV
Pulley Dia: 120mm
Body # 447200-6000
Clutch # 447300-0010



A 000 230 03 11

CM5518

Mercedes S Class, W140, 6/93>

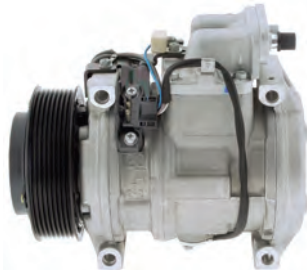
Model: 7SBU16C
Voltage: 12V
Pulley Type: 6PV
Pulley Dia: 120mm
Body # 447220-8080
Clutch # 447300-4170



A 000 230 20 11
A 000 230 70 11
Jayair: CM5518J

CM5543Mercedes S Class, W140, 400SE, 400SEL
S400, S420, 500SE, 500SEL, S500, 8/91-10/98

Model: 10PA20C
Voltage: 12V
Pulley Type: 8PV
Pulley Dia: 120mm
Body # 447200-6010
Clutch # 447300-0020



A 000 230 04 11

CM5443Mercedes S Class, W140, S320, 400SE, 400SEL
S420, 500SE, 500SEL, 500SEC, 600SEL, 5/91-7/98

Model: 10PA20C
Voltage: 12V
Pulley Type: 6PV
Pulley Dia: 126mm
Body # 447200-6010
Clutch # 447300-0120



A 000 234 00 28

CM5554Mercedes S Class, W140, 300SE, 300SEL
S280, 6/91-1/99

Model: 10PA20C
Voltage: 12V
Pulley Type: 6PV
Pulley Dia: 126mm
Body # 447200-6000
Clutch # 447300-0040



A 000 230 17 11

CM5519

Mercedes S Class, W126, 9/85>


Model: 10P15C
Voltage: 12V
Pulley Type: 6PV
Pulley Dia: 120mm
Body # 147200-7180
Clutch # 047300-3650



A 000 230 24 11

CM5582
Mercedes S Class, W126, 380, 420, 500
560, 8/80-5/93

Model: 10P17C
Voltage: 12V
Pulley Type: 1A
Pulley Dia: 128mm
Body # 147200-7200
Clutch # 047300-3880



A 000 230 25 11

CM5546
Mercedes SKN 300 Truck


Model: 10P15C
Voltage: 24V
Pulley Type: 1A
Pulley Dia: 136mm
Body # 447220-0180
Clutch # 447300-6480



A 000 230 42 11

CM5836
Mercedes SL Class, R230, SL350, SL500
11/05-1/08

Model: 7SEU17C
Voltage: 12V
Pulley Type: 6PV
Pulley Dia: 110mm
Body # 447260-1260
Clutch # 248300-0250



A 001 230 62 11

CM5477
Mercedes SL Class, R230, SL350, SL500
SL55 AMG, 8/01-7/05

Model: 7SEU17C
Voltage: 12V
Pulley Type: 6PV
Pulley Dia: 103mm
Body # 447260-3240
Clutch # 248300-0120

Picture unavailable at time of printing
refer www.cooldrive.com.au

CM5671
Mercedes SL Class, W638, R129, SL280
SL320, 600SL, 8/91-7/01

Model: 10PA17C
Voltage: 12V
Pulley Type: 7PV
Pulley Dia: 126mm
Body # 447200-4540
Clutch # 447300-5550




A 000 230 36 11

CM1797
Mercedes SL Class, R129, SL500

Model: 10PA17C
Body # 447220-7650

Clutch to suit CL1454



CM5521
Mercedes SL Class, R129, SL500

Model: 10PA17C
Voltage: 12V
Pulley Type: 6PV
Pulley Dia: 126mm
Body # 447200-3010
Clutch # 447300-0120



A 000 230 06 11

CM5828
Mercedes SLK Class, R171, SLK280
SLK350, SLK55 AMG, 2/04>

Model: 6SEU14C
Voltage: 12V
Pulley Type: 6PV
Pulley Dia: 110mm
Body # 447220-8880
Clutch # 248300-0250



A 001 230 07 11

CM5518
Mercedes SLK Class, R170, 9/96>

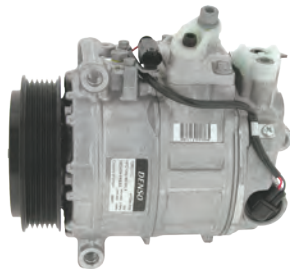
Model: 7SBU16C
Voltage: 12V
Pulley Type: 6PV
Pulley Dia: 120mm
Body # 447220-8080
Clutch # 447300-4170



A 000 230 20 11
A 000 230 70 11
Jayair: CM5518J

CM5593
Mercedes Sprinter, W906, 6/06>

Model: 7SEU17C
Voltage: 12V
Pulley Type: 6PV
Pulley Dia: 110mm
Body # 447260-2650
Clutch # 248300-1980



CM5626

Mercedes Sprinter, W906, 318CDi, 2/06>

Model: 10S17C
Voltage: 12V
Pulley Type: 6PV
Pulley Dia: 120mm
Body # 447260-6130
Clutch # 247300-4530

**CM5492**

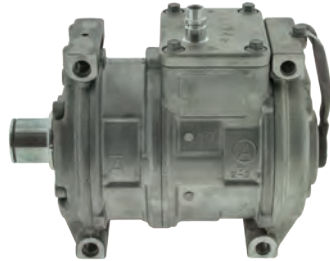
Mercedes Sprinter, W906, 1/06>

Model: 7SEU17C
Voltage: 12V
Pulley Type: 6PV
Pulley Dia: 110mm
Body # 447260-2090
Clutch # 248300-2850

**CM1797**Mercedes Sprinter, W901, W902, W903
W904, 12/94>

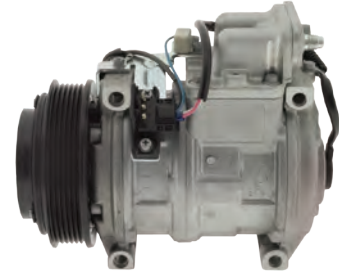
Model: 10PA17C
Body # 447220-7650

Clutch to suit CL1454

**CM5521**Mercedes Sprinter, W901, W902, W903
W904, 12/94>

Model: 10PA17C
Voltage: 12V
Pulley Type: 6PV
Pulley Dia: 126mm
Body # 447200-3010
Clutch # 447300-0120

A 000 230 06 11

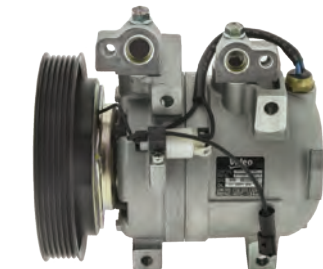
**CM5621**Mercedes Sprinter, W901, W902, W903
W904, 12/94>

Model: 10PA17C
Voltage: 12V
Pulley Type: 6PV
Pulley Dia: 126mm
Body # 447200-4540
Clutch # 447300-5560

**CM1010**

Mercedes Sprinter, 308, 312, 313, 412, 413

Model: DKV14C
Voltage: 12V
Pulley Type: 6PV
Pulley Dia: 145mm

**CM1022**

Mercedes Sprinter

Model: SP21
Voltage: 12V
Pulley Type: 6PV
Pulley Dia: 133mm

**CM7014**

Mercedes Truck

Model: 10PA15C
Body # 447200-0014

**CM8085**

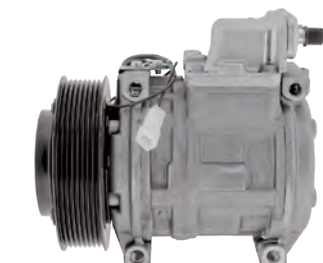
Mercedes Truck

Model: SD7H15
Voltage: 24V
Pulley Type: 8PV
Pulley Dia: 119mm
Head: KG

**CM5464**


Mercedes Truck

Model: 10PA15C
Voltage: 24V
Pulley Type: 8PV
Pulley Dia: 130mm
Body # 447200-0014
Clutch # 447300-4960




CM5594
Mercedes V Class, W639 Vito, 119, 122, 123 8/03>

Model: 7SEU17C
Voltage: 12V
Pulley Type: 6PV
Pulley Dia: 100mm
Body # 447260-2650
Clutch # 248300-0230



CM5495
Mercedes V Class, W639 Vito, 109, 111, 115 8/03>

Model: 7SEU17C
Voltage: 12V
Pulley Type: 6PV
Pulley Dia: 110mm
Body # 447260-2650
Clutch # 248300-0250



CM5593
Mercedes V Class, W639 Vito, 109 Cdi 8/06>

Model: 7SEU17C
Voltage: 12V
Pulley Type: 6PV
Pulley Dia: 110mm
Body # 447260-2650
Clutch # 248300-1980



CM5521
Mercedes V Class, W638 Vito, 11/95-7/03

Model: 10PA17C
Voltage: 12V
Pulley Type: 6PV
Pulley Dia: 126mm
Body # 447200-3010
Clutch # 447300-0120

A 000 230 06 11



CM5519
Mercedes V Class, W638 Vito 113, 11/95>
Mercedes W201, 190, 10/83>

Model: 10P15C
Voltage: 12V
Pulley Type: 6PV
Pulley Dia: 120mm
Body # 147200-7180
Clutch # 047300-3650

A 000 230 24 11



CM5538
Mercedes V Class, W638 Vito 112CDi, 114 8/96-7/03

Model: 7SBU16C
Voltage: 12V
Pulley Type: 6PV
Pulley Dia: 126mm
Body # 447220-8090
Clutch # 447300-8510

A 000 230 68 11
Jayair: CM5538J



CM5671
Mercedes V Class, Vito, 113, 114, 108D, 110D


Model: 10PA17C
Voltage: 12V
Pulley Type: 7PV
Pulley Dia: 126mm
Body # 447200-4540
Clutch # 447300-5550

A 000 230 36 11



CM1010
Mercedes Vito


Model: DKV14C
Voltage: 12V
Pulley Type: 6PV
Pulley Dia: 145mm



CM5518
Mercedes Vito CDI

Model: 7SBU16C
Voltage: 12V
Pulley Type: 6PV
Pulley Dia: 120mm
Body # 447220-8080
Clutch # 447300-4170

A 000 230 20 11
A 000 230 70 11
Jayair: CM5518J



CM5542
Mercedes W201, 190, 1/86-5/93

Model: 10PA15C
Voltage: 12V
Pulley Type: 6PV
Pulley Dia: 126mm
Body # 447200-0020
Clutch # 447300-0190

A 000 230 11 11



CM1115
Mercedes W123, W201, 10/72-2/94

Model: R4
Voltage: 12V
Pulley Type: 1A
Pulley Dia: 128mm



Metric Thread

CM8004
Mercedes W123

Model: R4
Voltage: 12V
Pulley Type: 1A
Pulley Dia: 131mm



Metric Thread

CM8003
Mercedes W116

Model: GMA6
Voltage: 12V
Pulley Type: 1A
Pulley Dia: 134mm



New

CM8007
Mercedes W116

Model: GMA6
Voltage: 12V
Pulley Type: 1A
Pulley Dia: 127mm



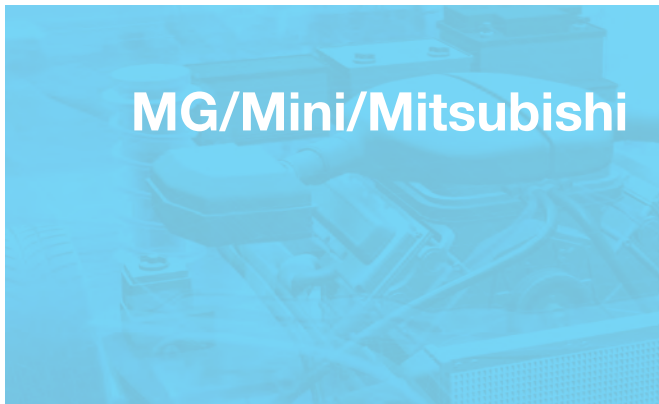
Remanufactured

CM1924
Mercedes W114, W115, W123

Model: York 210



Right Hand Suction



MG/Mini/Mitsubishi

CM1218
MG ZT190, 2.0, 2.5Lt, 00-04

Model: PXV16
Model # 8621
Voltage: 12V
Pulley Type: 6PV
Pulley Dia: 120mm



JPB500130

CM5308
Mini Cooper, 1.6Lt, 00>

Model: CVC125
Voltage: 12V
Pulley Type: 6PV
Pulley Dia: 109mm



64 52 6 918 122

CM5555
Mini One, 11/01>

Model: 5SA09C
Voltage: 12V
Pulley Type: 7PV
Pulley Dia: 120mm



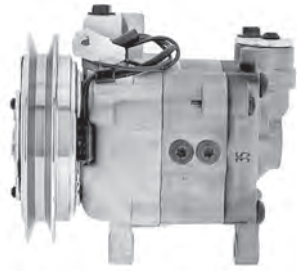
CM1855
Mitsubishi 380, 3.8Lt V6, 9/05-4/08

Model: 10S17C
Voltage: 12V
Pulley Type: 6PV
Pulley Dia: 125mm
Body # 447260-8461
Clutch # 247300-3730



CM8325
Mitsubishi Agricultural

Model: DKV07G
Voltage: 12V
Pulley Type: 1A
Pulley Dia: 115mm



169078054000

CM1527
Mitsubishi ASX GA, 2.0Lt Petrol, 10>

Model: QS90
Voltage: 12V
Pulley Type: 6PV
Pulley Dia: 95mm



AKS200A402D

CM1515
Mitsubishi Canter, 04>

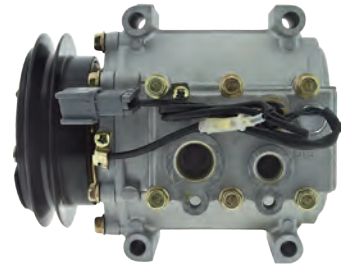
Model: MSC90TA
Voltage: 24V
Pulley Type: 1A
Pulley Dia: 143mm



AKC200A274
MK512829

CM1508
Mitsubishi Canter, 04>

Model: MSC90TA
Voltage: 24V
Pulley Type: 1A
Pulley Dia: 125mm



AKC200A273
MK447397

CM0535
Mitsubishi Canter

Model: MSC90TA
Voltage: 24V
Pulley Type: 6PV
Pulley Dia: 117mm



Picture unavailable at time of printing
refer www.cooldrive.com.au

AKC200A152
AKC200A277
MK512827

CM7888
Mitsubishi Canter FE-FM

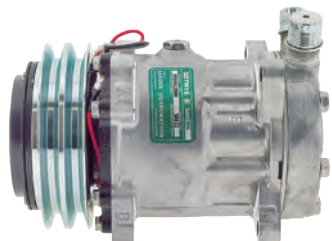
Model: SD7H15
Model # 7866
Voltage: 24V
Pulley Type: 2A
Pulley Dia: 132mm
Head: JE



Replaces: 8042
Dust Cover
Jayair: **CM7888J**

CM7863
Mitsubishi Canter FC-FG, 79-95

Model: SD7H15
Model # 8031
Voltage: 12V
Pulley Type: 2A
Pulley Dia: 132mm
Head: JE



Jayair: **CM7863J**

CM1514
Mitsubishi Challenger, 3.0Lt V6, 00>

Model: MSC105C
Voltage: 12V
Pulley Type: 1A
Pulley Dia: 97mm



AKC200A551J
MR315442, MR360532

CM5484
Mitsubishi Colt, 6/04>

Model: 5SE09C
Voltage: 12V
Pulley Type: 5PV
Pulley Dia: 100mm
Body # 447220-9680
Clutch # 248300-0880



CM5020
Mitsubishi Colt, RG, Z23A, Z25A, 1.5Lt
04>

Model: MSC60CA
Voltage: 12V
Pulley Type: 5PV



AKC200A080A

CM5021

Mitsubishi Colt, Z27A, 1.5Lt

Model: MSC60CAS
Voltage: 12V
Pulley Type: 5PV
Pulley Dia: 95mm



AKC200A084

CM0130

Mitsubishi Delica

Model: MSC130CV
Voltage: 12V
Pulley Type: 1A
Pulley Dia: 95mm



AKC200A601A

CM4744

Mitsubishi Delica, 2.4Lt

Model: MSC130CV
Voltage: 12V
Pulley Type: 4PV
Pulley Dia: 120mm



AKC200A601D

CM8380

Mitsubishi Express L400, 96>

Model: DKS15CH
Voltage: 12V
Pulley Type: 4PV
Pulley Dia: 123mm

**CM7888**

Mitsubishi FK-FM Truck

Model: SD7H15
Model # 7866
Voltage: 24V
Pulley Type: 2A
Pulley Dia: 132mm
Head: JE



Replaces: 8042
 Dust Cover
 Jayair: **CM7888J**

CM1522

Mitsubishi Fuso, FP5, FV5, FU5, FS5

Model: MSC090TA
Voltage: 24V
Pulley Type: 1B
Pulley Dia: 130mm



AKC200A272
 MK447133

CM5019

Mitsubishi Fuso, 11>

Model: MSC60CH
Voltage: 24V
Pulley Type: 1A



AKC200A024
 MR460141

CM5018

Mitsubishi Fuso Fighter

Model: MSC090T
Voltage: 24V
Pulley Type: 1A
Pulley Dia: 125mm

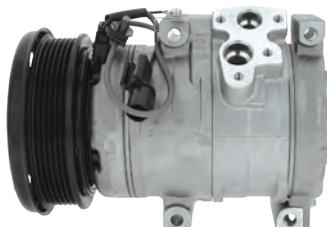


AKC200A271
 MN360133

CM1865

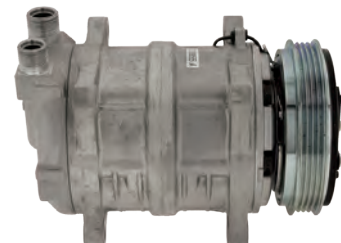
Mitsubishi Grandis, 2.4Lt 4 cyl, 5/04>

Model: 10S17C
Voltage: 12V
Pulley Type: 6PV
Pulley Dia: 125mm
Body # 447260-8170
Clutch # 247300-3320

**CM7864**

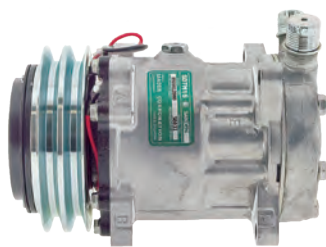
Mitsubishi L300 SJ

Model: TM14A
Voltage: 12V
Pulley Type: 4PV
Pulley Dia: 125mm



CM7863
Mitsubishi L300 SA-SH, Petrol, 85-6/96


Model: SD7H15
Model # 8031
Voltage: 12V
Pulley Type: 2A
Pulley Dia: 132mm
Head: JE



Jayair: CM7863J

CM1527
Mitsubishi Lancer CJ, 9/07>


Model: QS90
Voltage: 12V
Pulley Type: 6PV
Pulley Dia: 95mm



AKS200A402D

CM5754
Mitsubishi Lancer CJ, 10/06>

Model: MSC90CAS
Voltage: 12V
Pulley Type: 6PV
Pulley Dia: 95mm



AKC200A221

CM1509
Mitsubishi Lancer CG, CH, 6/02>


Model: MSC90C
Voltage: 12V
Pulley Type: 5PV
Pulley Dia: 110mm



MR360562
AKC200A204
AKC200A215

CM1517
Mitsubishi Lancer CG, 6/02>


Model: MSC90
Voltage: 12V
Pulley Type: 6PV
Pulley Dia: 105mm



No Slip Sensor
AKC200A205AB

CM5066
Mitsubishi Lancer CE, 1/99>

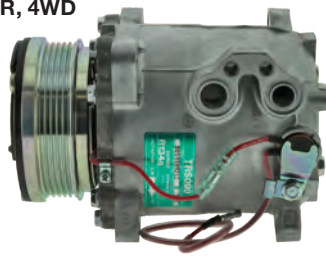
Model: SS10M2
Voltage: 12V
Pulley Type: 5PV
Pulley Dia: 115mm



May require AF9574


CM3015
Mitsubishi Lancer CE Wagon, 1.8Lt
10/95-12/98
Mitsubishi Lancer CC, 1.8Lt, 6/92-5/96
Mitsubishi Lancer CC GSR, 4WD
1.8Lt Turbo, 8/93-10/95

Model: TRS090
Model # 3015
Voltage: 12V
Pulley Type: 5PV
Pulley Dia: 100mm
Head: R



CM5065
Mitsubishi Lancer CE Coupe & Sedan, 1.8Lt
5/96-12/98


Model: MSC90C
Voltage: 12V
Pulley Type: 5PV
Pulley Dia: 113mm



AKC200A203C

CM4706
Mitsubishi Lancer CE Coupe & Sedan, 1.5Lt
5/96-12/98

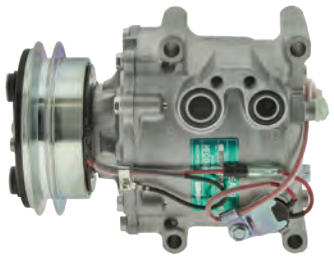
Model: MSC90C
Voltage: 12V
Pulley Type: 5PV
Pulley Dia: 113mm



AKC200A203F

CM3001
Mitsubishi Lancer CC Sedan, 1.5Lt Carby
6/92-4/96
Mitsubishi Lancer CA, CB, 1.5Lt SOHC
6/88-6/92

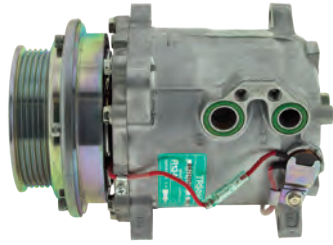
Model: TRS090
Model # 3627
Voltage: 12V
Pulley Type: 1A
Pulley Dia: 115mm
Head: A



Replaces: 3001

CM3020Mitsubishi Lancer CA, CB, CC, 1.6Lt
9/89-12/95

Model: TRS090
Model # 3020
Voltage: 12V
Pulley Type: 5PV
Pulley Dia: 95mm
Head: R

**CM5019**

Mitsubishi Minicab, 11>

Model: MSC60CH
Voltage: 24V
Pulley Type: 1A



AKC200A024
MR460141

CM1517

Mitsubishi Magna TJ, TL, 7/00>

Model: MSC90
Voltage: 12V
Pulley Type: 6PV
Pulley Dia: 105mm



No Slip Sensor

AKC200A205AB

CM1505

Mitsubishi Magna TH, V6, 3/99-9/00

Model: MSC90
Voltage: 12V
Pulley Type: 6PV
Pulley Dia: 97mm



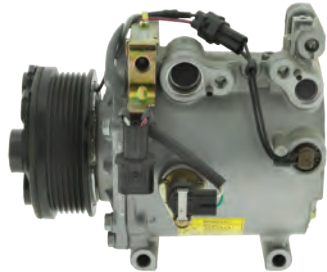
W/O HP Valve

AKC200A205R

CM1504

Mitsubishi Magna TH, V6, 8/99-9/00

Model: MSC90
Voltage: 12V
Pulley Type: 6PV
Pulley Dia: 95mm



AKC200A204V

CM1503Mitsubishi Magna TF, V6 4/97-3/99
Mitsubishi Magna TH, V6 3/99-8/99

Model: MSC105C
Voltage: 12V
Pulley Type: 6PV
Pulley Dia: 100mm

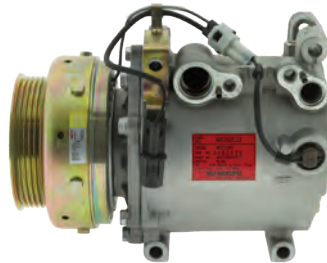


AKC200A551D

CM1502

Mitsubishi Magna TF, 4 cyl, 4/97-1/99

Model: MSC105C
Voltage: 12V
Pulley Type: 6PV
Pulley Dia: 100mm



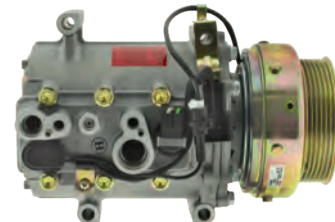
No Slip Sensor

AKC200A551C

CM1501

Mitsubishi Magna TE, TF, V6, 2/96-1/99

Model: MSC105C
Voltage: 12V
Pulley Type: 6PV
Pulley Dia: 100mm

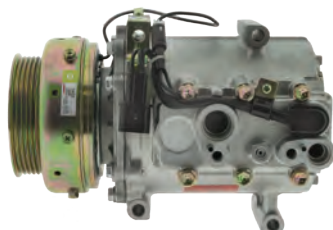


AKC200A502A

CM1500

Mitsubishi Magna TE, TF, 4 cyl, 2/96-1/99

Model: MSC105
Voltage: 12V
Pulley Type: 5PV
Pulley Dia: 100mm



AKC200A502

CM1647


Mitsubishi Magna TS, V6, 3/94-3/96

Model: 10PA17C
Voltage: 12V
Pulley Type: 4PV
Pulley Dia: 140mm
Body # 447200-3800
Clutch # 447300-2340




CM1652
Mitsubishi Magna TS, 2.6Lt, 4 cyl, 3/94-3/96

Model: 10PA17C
Voltage: 12V
Pulley Type: 1A
Pulley Dia: 143mm
Body # 447200-3960
Clutch # 447300-3310




CM1717
Mitsubishi Magna TR, 4 cyl, 4/91-3/93

Model: 10PA17C
Voltage: 12V
Pulley Type: 1A
Pulley Dia: 143mm
Body # 147200-5943
Clutch # 047300-9971



CM4706
Mitsubishi Mirage CE, 1.5Lt, 5/96-12/98


Model: MSC90C
Voltage: 12V
Pulley Type: 5PV
Pulley Dia: 113mm



AKC200A203F

CM1883
Mitsubishi Nimbus, 01>

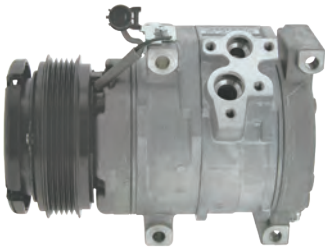
Model: 10S15C
Voltage: 12V
Pulley Type: 5PV
Pulley Dia: 110mm
Body # 447220-4130



Picture unavailable at time of printing refer www.cooldrive.com.au

CM1867
Mitsubishi Nimbus, UG 99>

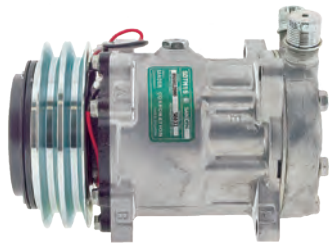
Model: 10S17C
Voltage: 12V
Body # 447220-4122
Clutch # 247300-0270



Clutch # 247300-0280

CM7863
Mitsubishi Nimbus UA-UC, 4D55-T, 2.4Lt 80-92


Model: SD7H15
Model # 8031
Voltage: 12V
Pulley Type: 2A
Pulley Dia: 132mm
Head: JE



Jayair: CM7863J

CM1527
Mitsubishi Outlander ZH, V6 Petrol, 9/09>


Model: QS90
Voltage: 12V
Pulley Type: 6PV
Pulley Dia: 95mm



AKS200A402D

CM5754
Mitsubishi Outlander ZG, 10/06>

Model: MSC90CAS
Voltage: 12V
Pulley Type: 6PV
Pulley Dia: 95mm



AKC200A221


CM5682
Mitsubishi Outlander, 04>

Model: SCSA08C
Voltage: 12V
Pulley Type: 6PV
Pulley Dia: 93mm
Body # 447260-7950
Clutch # 247300-3210



CM5753
Mitsubishi Outlander ZE, ZF, 12/02-9/06

Model: MSC105C
Voltage: 12V
Pulley Type: 6PV
Pulley Dia: 95mm



AKC200A560

CM8381

Mitsubishi Pajero iO

Model: DKV11G
Voltage: 12V
Pulley Type: 5PV
Pulley Dia: 120mm



506021-5202, 506221-2871
MR315497

CM1777Mitsubishi Pajero NP Exceed, 3.2Lt Diesel
10/02>

Mitsubishi Pajero NM, 2.8, 3.2Lt Diesel, 9/02>

Model: 10S17C
Voltage: 12V
Pulley Type: 1A
Pulley Dia: 132mm
Body # 447220-3650
Clutch # 447300-8670



Dual A/C

CM1778Mitsubishi Pajero NM, NP, 3.5Lt V6 Petrol
(Except Exceed), 2/00>

Model: 10S17C
Voltage: 12V
Pulley Type: 7PV
Pulley Dia: 120mm
Body # 447220-3987
Clutch # 247300-0040



Single A/C
Jayair: CM1778J

CM1776Mitsubishi Pajero NM, NP, 2.8, 3.2Lt Diesel
2/00-10/06

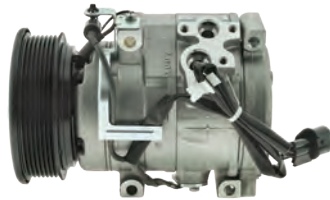
Model: 10S17C
Voltage: 12V
Pulley Type: 1A
Pulley Dia: 132mm
Body # 447220-3990
Clutch # 447300-8670



Single A/C

CM1779Mitsubishi Pajero NM, NP 3.5Lt V6 Petrol
5/00-11/06

Model: 10S17C
Voltage: 12V
Pulley Type: 7PV
Pulley Dia: 120mm
Body # 447280-0070
Clutch # 247300-0040



Dual A/C

CM1780Mitsubishi Pajero NM, 3.5Lt V6 Petrol
2/00-6/01

Model: 10S17C
Voltage: 12V
Pulley Type: 7PV
Pulley Dia: 120mm
Body # 447280-0070
Clutch # 447300-8660



Single A/C

CM1884Mitsubishi Pajero NL, 3.5Lt V6 Petrol
97>

Model: 10PA15C
Voltage: 12V
Pulley Type: 1A
Pulley Dia: 143mm
Body # 447200-0515
Clutch # 447300-2140

**CM1700**Mitsubishi Pajero NJ, NK, NL, 2.8Lt Diesel
8/93>

Model: 10PA15VC
Voltage: 12V
Pulley Type: 1A
Pulley Dia: 133mm
Body # 447200-0530
Clutch # 447300-2130

**CM1701**Mitsubishi Pajero NJ, NK, 3.0, 3.5Lt V6
8/93-6/97

Model: 10PA15C
Voltage: 12V
Pulley Type: 1A
Pulley Dia: 143mm
Body # 447200-0520
Clutch # 447300-2140



Jayair: CM1701J

CM3203

Mitsubishi Pajero NH, Petrol, 2/91-8/93

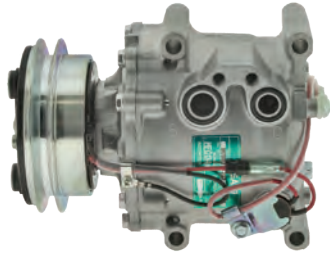
Model: TRS105
Model # 3203
Voltage: 12V
Pulley Type: 1A
Pulley Dia: 92mm
Head: E



CM3001

Mitsubishi Pajero NH, 2.5Lt Diesel, 2/91-8/93

Model: TRS090
Model # 3627
Voltage: 12V
Pulley Type: 1A
Pulley Dia: 115mm
Head: A

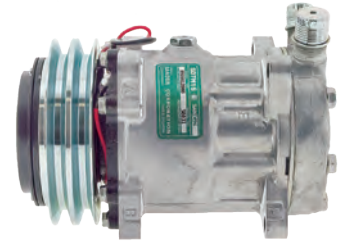


Replaces: 3001

CM7863

Mitsubishi Pajero NA/NB, 4D55-T, 2.4Lt, 81-83

Model: SD7H15
Model # 8031
Voltage: 12V
Pulley Type: 2A
Pulley Dia: 132mm
Head: JE



Jayair: CM7863J

CM1868

Mitsubishi Rosa Bus

Model: MSC90TA
Voltage: 24V
Pulley Type: 1A
Pulley Dia: 143mm

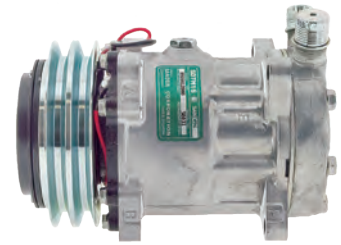


AKC200A165

CM7863

Mitsubishi Sigma GE-GN, 4G52/54
Mitsubishi Scorpion GE, GL, 4G52/54

Model: SD7H15
Model # 8031
Voltage: 12V
Pulley Type: 2A
Pulley Dia: 132mm
Head: JE

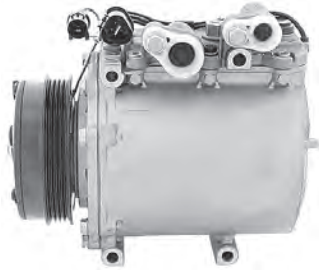


Jayair: CM7863J

CM4744

Mitsubishi Starwagon WA, 6/94>

Model: MSC130CV
Voltage: 12V
Pulley Type: 4PV
Pulley Dia: 120mm



Dual A/C

AKC200A601D

CM5757

Mitsubishi Triton ML, 3.5Lt V6, 06>

Model: DKS15D
Voltage: 12V
Pulley Type: 7PV
Pulley Dia: 124mm



MN123624

CM5755

Mitsubishi Triton ML, 3.2Lt Diesel, 08>

Model: DKS15D
Voltage: 12V
Pulley Type: 1A
Pulley Dia: 124mm



MN123625

CM5756

Mitsubishi Triton ML, 2.5Lt Diesel, 08>

Model: DKS15D
Voltage: 12V
Pulley Type: 1A
Pulley Dia: 124mm



MN123626

CM5758

Mitsubishi Triton ML, 2.4Lt 4 cyl, 06>

Model: DKS15D
Voltage: 12V
Pulley Type: 4PV
Pulley Dia: 119mm



MN123627

CM5751

Mitsubishi Triton, 4 cyl, 03>

Model: SS96
Voltage: 12V
Pulley Type: 5PV
Pulley Dia: 115mm



CM5752

Mitsubishi Triton, V6, Diesel, 03>

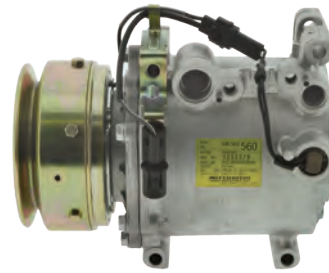
Model: SS96
Voltage: 12V
Pulley Type: 1A
Pulley Dia: 116mm



CM4705

Mitsubishi Triton MK, 3.0Lt V6, 2.8Lt Diesel 6/96>

Model: MSC90C
Voltage: 12V
Pulley Type: 1A
Pulley Dia: 93mm



AKC200A204H
 AKC200A205AL

CM4710

Mitsubishi Triton MK, 2.4Lt Petrol, 6/96>

Model: MSC90C
Voltage: 12V
Pulley Type: 4PV
Pulley Dia: 100mm

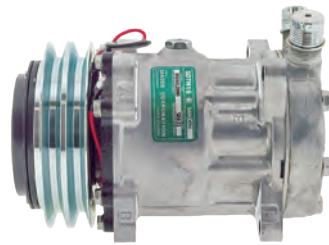


AKC200A205AM

CM7863

Mitsubishi Triton ME-MF, 3/86-6/96

Model: SD7H15
Model # 8031
Voltage: 12V
Pulley Type: 2A
Pulley Dia: 132mm
Head: JE



Jayair: CM7863J

CM3206

Mitsubishi Triton, V6

Model: TRS105
Model # 3206
Voltage: 12V
Pulley Type: 1A
Pulley Dia: 92mm
Head: E



CM1517

Mitsubishi Verada KJ-KL, 7/00>

Model: MSC90
Voltage: 12V
Pulley Type: 6PV
Pulley Dia: 105mm



No Slip Sensor

AKC200A205AB

CM1504

Mitsubishi Verada KH, V6, 3/99-9/00

Model: MSC90
Voltage: 12V
Pulley Type: 6PV
Pulley Dia: 95mm



AKC200A204V

CM1503

Mitsubishi Verada KF, KH, V6, 4/97-1/99

Model: MSC105C
Voltage: 12V
Pulley Type: 6PV
Pulley Dia: 100mm

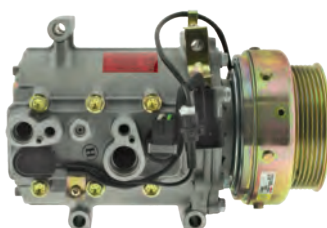


AKC200A551D

CM1501

Mitsubishi Verada KE, KF, V6, 2/96-1/99

Model: MSC105C
Voltage: 12V
Pulley Type: 6PV
Pulley Dia: 100mm



AKC200A502A

CM1647

Mitsubishi Verada KS, V6, 3/94-3/96

Model: 10PA17C
Voltage: 12V
Pulley Type: 4PV
Pulley Dia: 140mm
Body # 447200-3800
Clutch # 447300-2340



Navistar/New Holland

CM8077 Navistar Truck

Model: SD7H15
Model # 8077
Voltage: 24V
Pulley Type: 2A
Pulley Dia: 132mm
Head: JE



CM4768 New Holland

Model: SD7H15
Model # 4499
Voltage: 12V
Pulley Type: 8PV
Pulley Dia: 153mm
Head: MD



Replaces: 4768
Sealed Clutch
Heavy Duty

CM7865 New Holland

Model: SD7H15
Model # 8099
Voltage: 12V
Pulley Type: 6PV
Pulley Dia: 119mm
Head: JDA



Replaces: 8032
Dust Cover

CM8617 New Holland

Model: SD7H15
Model # 4617
Voltage: 12V
Pulley Type: 2A
Pulley Dia: 132mm
Head: MD



Sealed Clutch
Heavy Duty

CM8148 New Holland Tractor

Model: SD7H15
Model # 6021
Voltage: 12V
Pulley Type: 4PV
Pulley Dia: 112mm
Head: WV



Replaces: 8148
Dust Cover
Heavy Duty

CM4609 New Holland Tractor

Model: SD7H15
Model # 4478
Voltage: 12V
Pulley Type: 2A
Pulley Dia: 152mm
Head: MD

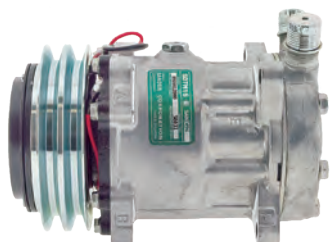


Replaces: 4609
Sealed Clutch
Heavy Duty

Nissan

CM7863 Nissan 180B, L18, 72-76 Nissan 200B, L20B, 77-81 Nissan Bluebird 910 Nissan EXA

Model: SD7H15
Model # 8031
Voltage: 12V
Pulley Type: 2A
Pulley Dia: 132mm
Head: JE



Jayair: CM7863J

CM8344 Nissan Bluebird U13, 93-97

Model: DKV14C
Voltage: 12V
Pulley Type: 4PV
Pulley Dia: 125mm



92600-1E413

CM4374

Nissan Dualis, 2.0Lt Petrol, 12/07>

Model: CVC5
Voltage: 12V
Pulley Type: 6PV
Pulley Dia: 115mm



92600-JD200

CM8305

Nissan Gazelle S12, 7/86>

Model: DKS15CH
Voltage: 12V
Pulley Type: 4PV
Pulley Dia: 135mm

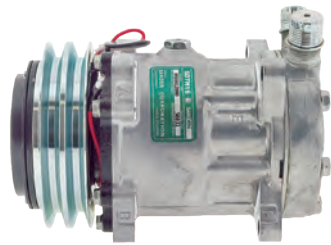


27630-J7000

CM7863

Nissan Gazelle S12, 6/86>

Model: SD7H15
Model # 8031
Voltage: 12V
Pulley Type: 2A
Pulley Dia: 132mm
Head: JE



Jayair: CM7863J

CM5016

Nissan Maxima J31, VQ35, 3.5Lt V6, 03-05

Model: DKS17D
Voltage: 12V
Pulley Type: 6PV
Pulley Dia: 135mm



92600-9Y40A

CM5017

Nissan Maxima J31, 06>

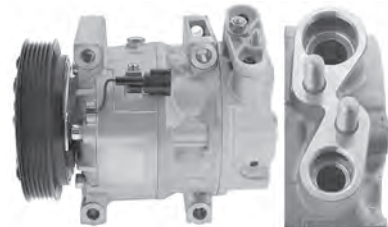
Model: DKS17D
Voltage: 12V
Pulley Type: 6PV
Pulley Dia: 120mm



92600-CA01A

CM8333Nissan Maxima A33, VQ30, 3.0Lt V6
10/99-8/00

Model: CWV618
Voltage: 12V
Pulley Type: 6PV
Pulley Dia: 139mm

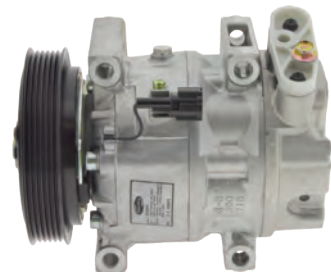


Captive O'ring
 Jayair: CM8333J

CM5012

Nissan Maxima A32, V6, 11/95-6/99

Model: CWV618
Voltage: 12V
Pulley Type: 6PV
Pulley Dia: 135mm

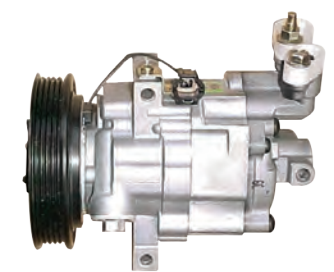


R12 Fitting Profile

CM5607

Nissan Micra K12, 12/07>

Model: DKV08R
Voltage: 12V
Pulley Type: 5PV
Pulley Dia: 120mm

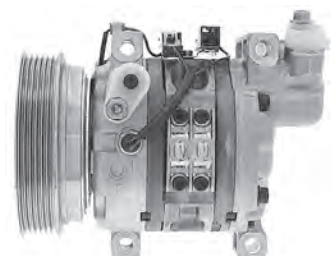


92600-AX80A

CM5602

Nissan Micra K11, 95-98

Model: DKV11D
Voltage: 12V
Pulley Type: 6PV
Pulley Dia: 125mm

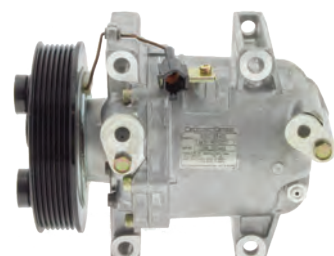


92600-67B05, 9260041B01

CM8400

Nissan Navara D40, 2.5Lt Diesel, 05>

Model: CR14
Voltage: 12V
Pulley Type: 7PV
Pulley Dia: 135mm



92600-EB40E

CM8439
Nissan Navara D22, 2.5Lt Diesel, 2/08>

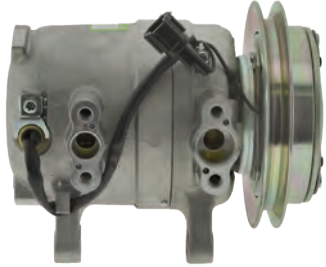
Model: DKS17CH
Voltage: 12V
Pulley Type: 1A
Pulley Dia: 135mm



881A397708

CM8318
Nissan Navara D22, 3.0, 3.3Lt V6, 4/00>

Model: DKV14C
Voltage: 12V
Pulley Type: 1A
Pulley Dia: 140mm



92600-VJ700

CM8319
Nissan Navara D22, KA24 2.4Lt Petrol
QD32 3.2Lt Diesel, 2/97-12/02

Model: DKV14C
Voltage: 12V
Pulley Type: 1A
Pulley Dia: 132mm



92600-VJ200

CM5854
Nissan Navara D22, 97>

Model: DKS17CH
Voltage: 12V
Pulley Type: 7PV
Pulley Dia: 135mm



92600-VK110

CM8360
Nissan Navara D22

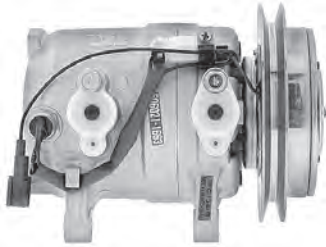
Model: DKS17CH
Voltage: 12V
Pulley Type: 1A
Pulley Dia: 135mm



92600-1Y400

CM8311
Nissan Navara D21, VG30, 10/95-1/97

Model: DKV14C
Voltage: 12V
Pulley Type: 1A
Pulley Dia: 150mm



92600-57G02

CM8312
Nissan Navara D21, TD27 2.7Lt Diesel
KA24 2.4Lt Petrol, 7/94-1/97


Model: DKV14C
Voltage: 12V
Pulley Type: 1A
Pulley Dia: 135mm



92600-56G02

CM8300
Nissan NX Coupe B13


Model: DKV14D
Voltage: 12V
Pulley Type: 6PV
Pulley Dia: 148mm



92600-J9300A

CM8370
Nissan Pathfinder R51, Turbo Diesel, 05>


Model: DKS17D
Voltage: 12V
Pulley Type: 7PV
Pulley Dia: 134mm



506211-1122, 506211-8941
92600-EB30A

CM8335
Nissan Pathfinder R50, VG33, 3.3Lt V6
96-1/99

Model: CWV618
Voltage: 12V
Pulley Type: 5PV
Pulley Dia: 140mm



92600-0W005
92600-0W703, 92600-W710
Jayair: CM8335J

CM8311

Nissan Pathfinder WD21, 9/94>

Model: DKV14C
Voltage: 12V
Pulley Type: 1A
Pulley Dia: 150mm



92600-57G02

CM8366

Nissan Patrol GU, Y61 ZD30, 08>

Model: DKS17CH
Voltage: 12V
Pulley Type: 7PV
Pulley Dia: 140mm



With PRV

92600-VS40B, Z0004764A

CM8308Nissan Patrol Y61, ZD30, 3.0Lt Turbo Diesel
2/00-11/02

Model: DKS17CH
Voltage: 12V
Pulley Type: 6PV
Pulley Dia: 135mm



92600-VB800

CM8360

Nissan Patrol Y61, TD42 4.2Lt

Model: DKS17CH
Voltage: 12V
Pulley Type: 1A
Pulley Dia: 135mm



92600-1Y400

CM8328

Nissan Patrol Y61, TB48E, 4.8Lt Petrol, 11/02>

Model: DKS17CH
Voltage: 12V
Pulley Type: 4PV
Pulley Dia: 140mm



92600-VC710

CM8310Nissan Patrol Y61, RD28T, TB45, TD42
10/97-11/02

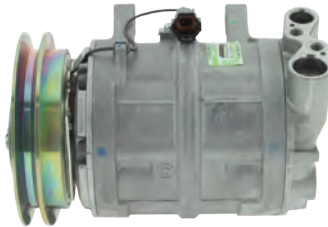
Model: DKS17CH
Voltage: 12V
Pulley Type: 1A
Pulley Dia: 135mm



92600-VB005

CM8309Nissan Patrol Y61 GU, RD28, 2.8Lt
10/97-2/00

Model: DKS17CH
Voltage: 12V
Pulley Type: 1A
Pulley Dia: 135mm



92600-VB300

CM8307Nissan Patrol Y60 GQ, TD42, TB42E, RB30S
10/94>

Model: DKS16H
Voltage: 12V
Pulley Type: 1A
Pulley Dia: 135mm



92600-54N00

CM8306Nissan Patrol Y60 GQ, RD28T, 2.8Lt Turbo
Diesel, 10/94>

Model: DKS16H
Voltage: 12V
Pulley Type: 1A
Pulley Dia: 135mm



92600-0Y000

CM8305

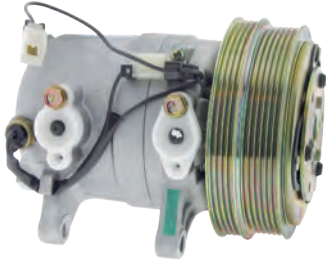
Nissan Pintara R31

Model: DKS15CH
Voltage: 12V
Pulley Type: 4PV
Pulley Dia: 135mm



27630-J7000

CM8338
Nissan Pintara U12, CA20



Model: DKV14C
Voltage: 12V
Pulley Type: 4PV / 6PV
Pulley Dia: 148mm / 138mm

92600-J8001


CM8337
Nissan Pintara U12, KA24



Model: DKV14C
Voltage: 12V
Pulley Type: 4PV
Pulley Dia: 135mm

92600-J8011

CM8304
Nissan Pulsar N16, 1.6, 1.8Lt, 7/00-1/06



Model: DKV11G
Voltage: 12V
Pulley Type: 6PV
Pulley Dia: 139mm

92600-4M410


CM5600
Nissan Pulsar N15, SR20, 2.0Lt, 6/96-8/00



Model: Calsonic CR14
Voltage: 12V
Pulley Type: 6PV
Pulley Dia: 147mm

92600-2J204
92600-2J205


CM8303
Nissan Pulsar N15, 2.0Lt, 6/96-8/00



Model: DKV11G
Voltage: 12V
Pulley Type: 6PV
Pulley Dia: 139mm

Replaces Calsonic


CM5595
Nissan Pulsar N15, GA16, 1.6Lt, 6/96-10/99



Model: DKV11G
Voltage: 12V
Pulley Type: 4PV
Pulley Dia: 140mm

92600-1M060


CM8349
Nissan Pulsar N15, 1.6Lt, 98>



Model: DKV11D
Voltage: 12V
Pulley Type: 4PV
Pulley Dia: 140mm

92600-1M018


CM8300
Nissan Pulsar N14, SR20, 2.0Lt, 91-93



Model: DKV14D
Voltage: 12V
Pulley Type: 6PV
Pulley Dia: 148mm

92600-J9300A

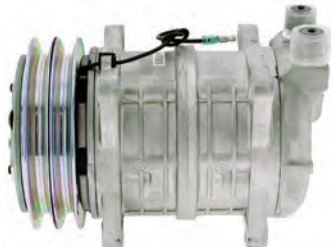
CM8301
Nissan Pulsar N14, GA16, 1.6Lt, 91-93



Model: DKV14D
Voltage: 12V
Pulley Type: 4PV
Pulley Dia: 138mm

92600-J9200A

CM1800
Nissan Pulsar N13, 88-91



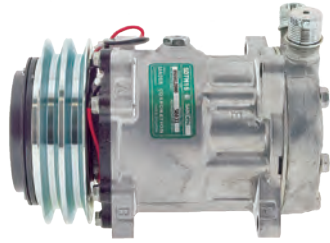
Model: DKS15CH
Voltage: 12V
Pulley Type: 2A
Pulley Dia: 135mm

500611-1090

CM7863

Nissan Pulsar N12
Nissan Skyline R30, L24E
Nissan Stanza A10, CA16, 78-83

Model: SD7H15
Model # 8031
Voltage: 12V
Pulley Type: 2A
Pulley Dia: 132mm
Head: JE



Jayair: CM7863J

CM8347

Nissan Skyline R34

Model: DKV14G
Voltage: 12V
Pulley Type: 4PV
Pulley Dia: 125mm



92600-AA005

CM8305

Nissan Skyline R31

Model: DKS15CH
Voltage: 12V
Pulley Type: 4PV
Pulley Dia: 135mm



27630-J7000

CM5601

Nissan Terrano R20, 11/96-10/99

Model: DKV14C
Voltage: 12V
Pulley Type: 1A
Pulley Dia: 135mm

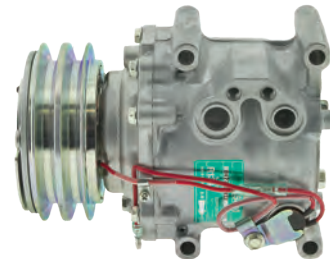


92600-0F001

CM3012

Nissan Terrano ,2.7Lt, 2.4Lt
98-00

Model: TRS090
Model # 3012
Voltage: 12V
Pulley Type: 2A
Pulley Dia: 100mm



Not TI models

CM4176

Nissan Tiida C11, 1.8Lt, 2/06-2/10

Model: CR10
Voltage: 12V
Pulley Type: 7PV
Pulley Dia: 110mm



92600-CJ60A

CM8386

Nissan UD Truck, CW445, 05>

Model: CWV617
Voltage: 24V
Pulley Type: 4PV
Pulley Dia: 125mm



5E1J0-45010
27630-10Z14

CM8339

Nissan UD Truck

Model: DKS15CH
Voltage: 24V
Pulley Type: 1B
Pulley Dia: 138mm



27630-30Z62

CM8345

Nissan UD Truck

Model: DKS15CH
Voltage: 24V
Pulley Type: 4PV
Pulley Dia: 139mm

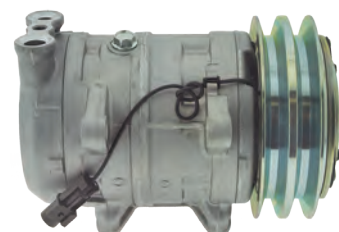


27630-30Z67

CM8323

Nissan UD Truck

Model: DKS16H
Voltage: 24V
Pulley Type: 2B
Pulley Dia: 150mm



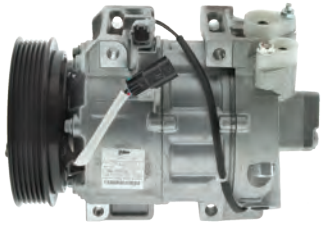
27630-00Z04

CM5865
Nissan X-Trail T31, 2.5Lt Petrol, 10/07>

Model: DKS17EC
Voltage: 12V
Pulley Type: 6PV
Pulley Dia: 130mm

With sensor
With PRV

92600-JA00A, 92600-JG30A




CM5860
Nissan X-Trail T31, 2.5Lt Petrol, 10/07>

Model: DCS171C
Voltage: 12V
Pulley Type: 6PV
Pulley Dia: 125mm

No sensor


92600-ET82A



CM5868
Nissan X-Trail T31, 2.0Lt Diesel, 10/07>

Model: DCS171C
Voltage: 12V
Pulley Type: 6PV
Pulley Dia: 129mm

92600-1DA0A



CM5892
Nissan X-Trail T31, 2.0Lt Petrol, 1/11>

Model: DKS17EC
Voltage: 12V
Pulley Type: 6PV
Pulley Dia: 119mm


92600-EN22B



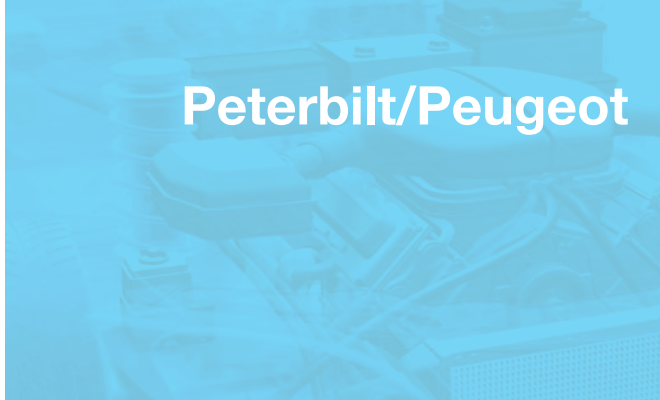
CM5855
Nissan X-Trail T30, 2.5Lt, 02>

Model: CWV618
Voltage: 12V
Pulley Type: 6PV
Pulley Dia: 140mm

92600-AU010
Jayair: CM5855J




Peterbilt/Peugeot



CM8041
Peterbilt Truck

Model: SD7H15
Model # 4041
Voltage: 12V
Pulley Type: 2A
Pulley Dia: 125mm
Head: GQ


Replaces: 4426, 4696
F69-6001-231



CM8424
Peterbilt Truck

Model: SD7H15
Model # 4424
Voltage: 12V
Pulley Type: 6PV
Pulley Dia: 125mm
Head: GA


Replaces: 4039, 4731



CM8079
Peterbilt Truck


Model: SD7H15SHD
Model # 4079
Voltage: 12V
Pulley Type: 6PV
Pulley Dia: 125mm

F69-6001-122



CM7870
Peugeot 205 SI, 90>

Model: SD7H15
Model # 7870
Voltage: 12V
Pulley Type: 5PV
Pulley Dia: 120mm



CM1438
Peugeot 206, 2.0Lt, 04>

Model: SD6V12
Model # 1940
Voltage: 12V
Pulley Type: 6PV
Pulley Dia: 119mm
Head: VEB

Replaces: 1438, 1449, 1926
Replaces 3 Lug Model



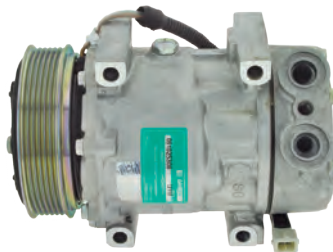
CM1432
Peugeot 206, 1.8Lt, 00-04

Model: SD6V12
Model # 1432
Voltage: 12V
Pulley Type: 4PV
Pulley Dia: 112mm
Head: VGG



CM1211
Peugeot 206 GTI, 2.0Lt

Model: SD7V16
Model # 1211
Voltage: 12V
Pulley Type: 6PV
Pulley Dia: 119mm
Head: VSB



CM1412
Peugeot 206

Model: SD6V12
Model # 1412
Voltage: 12V
Pulley Type: 6PV
Pulley Dia: 119mm
Head: VFD



CM1356
Peugeot 207, 05>
Peugeot 307, 05>
Peugeot 308, 05>

Model: SD6C12
Model # 1364
Voltage: 12V
Pulley Type: 6PV
Pulley Dia: 119mm
Head: CRJ

Replaces: 1351, 1355
Replaces: 1363, 1367



CM1350
Peugeot 207, 12/01>
Peugeot 307, 12/01>
Peugeot 308, 2/08>

Model: SD6C12
Voltage: 12V
Pulley Type: 6PV
Pulley Dia: 119mm

Replaces Sanden compressor



CM1227
Peugeot 306, 97>

Model: SD7V16
Model # 1227
Voltage: 12V
Pulley Type: 6PV
Pulley Dia: 119mm
Head: VQU

Replaces: 1106, 1228



CM1011
Peugeot 306

Model: Scroll 90v
Voltage: 12V
Pulley Type: 6PV
Pulley Dia: 96mm



CM1353
Peugeot 307, 3/01-6/05
Peugeot 308, 9/07>

Model: SD6C12
Model # 1365
Voltage: 12V
Pulley Type: 6PV
Pulley Dia: 123mm
Head: VHB / CHB

Replaces: 1350, 1356, 1361


Picture unavailable at time of printing
refer www.cooldrive.com.au

CM1320
Peugeot 307, 2.0Lt

Model: SD7C16
Model # 1320
Voltage: 12V
Pulley Type: 6PV
Pulley Dia: 119mm
Head: CHA


9651911380



CM1438
Peugeot 307, 2.0Lt

Model: SD6V12
Model # 1940
Voltage: 12V
Pulley Type: 6PV
Pulley Dia: 119mm
Head: VEB


Replaces: 1438, 1449, 1926
Replaces 3 Lug Model



CM1324
Peugeot 307, 1.6, 2.0Lt Hdi 90, 110, 135

Model: SD6V12
Model # 1460
Voltage: 12V
Pulley Type: 6PV
Pulley Dia: 119mm


9682930280



CM1352
Peugeot 307, 99>
Peugeot 407, 99>


Model: SD7V16
Model # 1240
Voltage: 12V
Pulley Type: 6PV
Pulley Dia: 119mm

Replaces: 1228




CM5612
Peugeot 308, 1.6Lt Turbo, 4/07>

Model: 6SEL16C
Voltage: 12V
Pulley Type: 6PV
Pulley Dia: 119mm
Body # 447260-1930
Clutch # 248300-1990




CM5611
Peugeot 308, 1.6Lt, 4/07>

Model: 5SEL12C
Voltage: 12V
Pulley Type: 6PV
Pulley Dia: 119mm
Body # 447260-1920
Clutch # 248300-1990




CM7854
Peugeot 405, Petrol & Diesel, 93>

Model: SD7H15
Model # 7854
Voltage: 12V
Pulley Type: 6PV
Pulley Dia: 119mm
Head: SK



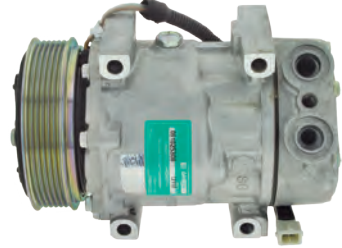
CM1209
Peugeot 406 SV Coupe
Peugeot 607, 2.5Lt V6

Model: SD7V16
Model # 1209
Voltage: 12V
Pulley Type: 6PV
Pulley Dia: 120mm
Head: VSA



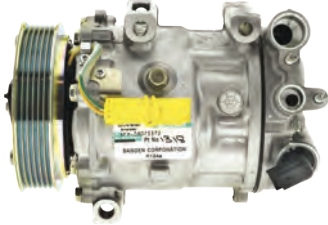
CM1211
Peugeot 406 ST Sedan

Model: SD7V16
Model # 1211
Voltage: 12V
Pulley Type: 6PV
Pulley Dia: 119mm
Head: VSB




CM1318
Peugeot 407
Peugeot 607

Model: SD7C16
Model # 1318
Voltage: 12V
Pulley Type: 6PV
Pulley Dia: 119mm
Head: CRN



CM1116
Peugeot 605, 3.0Lt V6, 9/93-12/98

Model: SD7V16
Model # 1116
Voltage: 12V
Pulley Type: 5PV
Pulley Dia: 119mm
Head: VQA



CM1322

Peugeot 607, 3.0Lt, 00-04

Model: SD7V16
 Model # 1243
 Voltage: 12V
 Pulley Type: 6PV
 Pulley Dia: 120mm

**CM1352**Peugeot 607, 99>
Peugeot 807, 99>

Model: SD7V16
 Model # 1240
 Voltage: 12V
 Pulley Type: 6PV
 Pulley Dia: 119mm



Replaces: 1228

Porsche/Proton**CM5690**Porsche 911 (996), GT2, GT3, 3.6Lt, 9/97>
Porsche Boxster (986) 2.5, 2.7, 3.2Lt, 6/96>

Model: 7SBU16C
 Voltage: 12V
 Pulley Type: 6PV
 Pulley Dia: 126mm
 Body # 447220-8260
 Clutch # 447300-6000

**CM5688**Porsche 911 (964), 3.3Lt Turbo, 3.6Lt Turbo
Carrera, 8/92-5/94

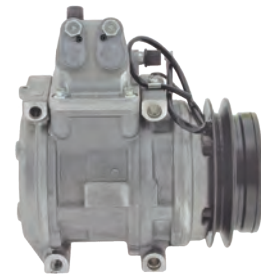
Model: 10PA15C
 Voltage: 12V
 Pulley Type: 1A
 Pulley Dia: 127mm
 Body # 447200-0100
 Clutch # 447300-0300



96412612102

CM5685Porsche 911 (964), 3.3Lt Turbo, 3.6Lt Carrera
8/89-7/93

Model: 10PA15C
 Voltage: 12V
 Pulley Type: 1A
 Pulley Dia: 121mm
 Body # 047200-9750
 Clutch # 047300-5650

**CM5676**Porsche 928 GTS, 5.4Lt, 7/92-7/95
Porsche 928S, 5.0Lt, 8/88-10/93

Model: 10PA20C
 Voltage: 12V
 Pulley Type: 1A
 Pulley Dia: 133mm
 Body # 447200-6050
 Clutch # 447300-0320

**CM5684**

Porsche 944, 2.5, 2.7, 3.0Lt, 1/85-7/92

Model: 10P15E
 Voltage: 12V
 Pulley Type: 6PV
 Pulley Dia: 125mm
 Body # 047200-4160
 Clutch # 047300-3240



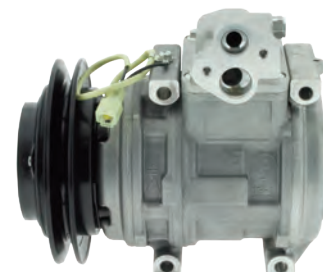
94412600800

CM5692Porsche Cayenne (955), 4.5Lt V8 Turbo
8/02>

Model: 7SEU17C
 Voltage: 12V
 Pulley Type: 7PV
 Pulley Dia: 120mm
 Body # 447260-0630
 Clutch # 248300-0220


**CM1626**Proton Persona, 1.5Lt
Proton Satria, 1.5Lt
Proton Wira, 1.5Lt A/T

Model: 10PA15C
 Voltage: 12V
 Pulley Type: 1A
 Pulley Dia: 140mm
 Body # 447200-0220
 Clutch # 447300-1400



CM1627
 Proton Persona, 1.6Lt, 99>
 Proton Wira, 1.6Lt, 99>

Model: 10PA15C
Voltage: 12V
Pulley Type: 5PV
Pulley Dia: 130mm
Body # 447200-0230
Clutch # 447300-1410




Range Rover/Renault

CM5576
 Range Rover, 4.0Lt, 5/94-1/02


Model: 10PA17C
Voltage: 12V
Pulley Type: 7PV
Pulley Dia: 125mm
Body # 447200-4960
Clutch # 447300-7880

JPB101330



CM3204
 Range Rover, 95-98


Model: TRS105
Model # 3204
Voltage: 12V
Pulley Type: 7PV
Pulley Dia: 95mm
Head: N



CM5577
 Range Rover, 4.0Lt, 10/89-9/95


Model: 10PA17C
Voltage: 12V
Pulley Type: 7PV
Pulley Dia: 135mm
Body # 447200-3420
Clutch # 447300-1270

BTR5750



CM1150
 Renault, 1.6, 1.9Lt

Model: SD7V16
Model # 1150
Voltage: 12V
Pulley Type: 6PV
Pulley Dia: 125mm
Head: VPB



CM5647
 Renault Agricultural, Temis, 550, 610, 630, 650, 1/00>

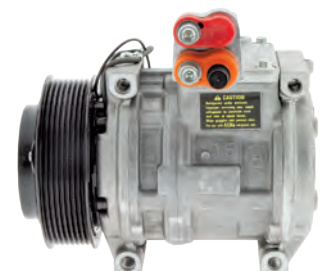
Model: 10PA15C
Voltage: 12V
Pulley Type: 1A
Pulley Dia: 130mm
Body # 447200-2200
Clutch # 447300-4850

10435361




CM5637
 Renault Agricultural, 1/95>

Model: 10PA15C
Voltage: 12V
Pulley Type: 8PV
Pulley Dia: 120mm
Body # 447200-1440
Clutch # 247300-5510




CM1416
 Renault Clio 1.4, 1.6Lt, 1/02-7/06
 Renault Kangoo, 8/04-11/10

Model: SD6V12
Model # 1416
Voltage: 12V
Pulley Type: 6PV
Pulley Dia: 125mm
Head: VGG



CM1417
 Renault Clio, 2.0Lt V6
 Renault Kangoo, 2.0Lt V6

Model: SD6V12
Model # 1417
Voltage: 12V
Pulley Type: 6PV
Pulley Dia: 125mm
Head: VGG



CM7971

Renault Laguna, 95-96

Model: SD7H15
 Model # 7971
 Voltage: 12V
 Pulley Type: 6PV
 Pulley Dia: 120mm
 Head: SU

**CM9035**

Renault Master 1.9, 2.2, 2.5Lt, 9/00-9/03
 Renault Megane 1.8, 1.9, 2.0Lt, 3/96-02
 Renault Trafic, 1.9Lt, 3/01>

Model: V5
 Voltage: 12V
 Pulley Type: 6PV
 Pulley Dia: 119mm



7700105765

CM9035

Renault Scenic I, 1.8, 1.9, 2.0Lt, 3/97-03
 Renault Scenic II, 1.9Lt, 6/03>

Model: V5
 Voltage: 12V
 Pulley Type: 6PV
 Pulley Dia: 119mm



7700105765

CM9038

Renault Master, 2.5Lt Diesel, 07>
 Renault Megane, 2.0Lt, 12/03>

Model: V5
 Voltage: 12V
 Pulley Type: 7PV
 Pulley Dia: 119mm

**CM9030**

Renault Master, 06>

Model: V5
 Voltage: 12V
 Pulley Type: 7PV
 Pulley Dia: 119mm



8200200671

CM9028

Renault Megane II, 1.9Lt Turbo Diesel, 7/07>
 Renault Scenic II, 1.9Lt Turbo Diesel, 7/07>

Model: CVC125
 Voltage: 12V
 Pulley Type: 7PV
 Pulley Dia: 123mm



8200309193

CM9026

Renault Megane II, 1.4, 1.6Lt, 7/06>
 Renault Scenic II, 1.4, 1.6Lt, 1/07>

Model: CVC125
 Voltage: 12V
 Pulley Type: 6PV
 Pulley Dia: 129mm

**CM1416**

Renault Megane, 1.6Lt, 5/01-10/04

Model: SD6V12
 Model # 1416
 Voltage: 12V
 Pulley Type: 6PV
 Pulley Dia: 125mm
 Head: VGG

**Rolls Royce/Rover****CM8109**

Rolls Royce, V8, 93>
 Rolls Royce Silver Spirit, 97>

Model: SD7V16
 Model # 1109
 Voltage: 12V
 Pulley Type: 2A
 Pulley Dia: 125mm
 Head: VR



CM2104
Rolls Royce

Model: GMA6
Voltage: 12V
Pulley Type: 2A
Pulley Dia: 130mm



New

CM2103
Rolls Royce

Model: GMA6
Voltage: 12V
Pulley Type: 2A
Pulley Dia: 127mm



Remanufactured

CM8004
Rolls Royce

Model: R4
Voltage: 12V
Pulley Type: 1A
Pulley Dia: 131mm



Metric Thread

CM5581
Rover 75, 2.0Lt DT, 4/99-4/05

Model: 7SBU16C
Voltage: 12V
Pulley Type: 5PV
Pulley Dia: 126mm
Body # 447220-8510
Clutch # 447300-8250



JPB101460

CM5591
Rover 75, 1.8Lt, 2/99>

Model: 7SBU16C
Voltage: 12V
Pulley Type: 5PV
Pulley Dia: 126mm
Body # 447220-8500
Clutch # 447300-8240



JPB101450



CM8052
Saab 9000, 94-98

Model: SD7H15
Model # 8052
Voltage: 12V
Pulley Type: 6PV
Pulley Dia: 133mm
Head: SY



CM3211
Saab 9-3, 98-03

Model: TRS105
Model # 3211
Voltage: 12V
Pulley Type: 6PV
Pulley Dia: 100mm
Head: R



CM8635
Saab 9-5, 2.0Lt Turbo, 2.3Lt, 04-09

Model: PXV16
Model # 8635
Voltage: 12V
Pulley Type: 6PV
Pulley Dia: 120mm
Head: PNB



Replaces: 8614, 4576
5048368

CM5532
Saab 9-5, B205E, 2.0Lt, 10/98>

Model: 7SBU16C
Voltage: 12V
Pulley Type: 6PV
Pulley Dia: 126mm
Body # 447220-8040
Clutch # 447300-6390



CM7888
Scania

Model: SD7H15
Model # 7866
Voltage: 24V
Pulley Type: 2A
Pulley Dia: 132mm
Head: JE

Replaces: 8042
Dust Cover
Jayair: CM7888J



CM8290
Scania

Model: SD7H15
Model # 6023
Voltage: 24V
Pulley Type: 8PV
Pulley Dia: 119mm
Head: YE



CM8067
Scania P4 Truck, 12.0Lt

Model: SD7H15
Model # 8067
Voltage: 24V
Pulley Type: 8PV
Pulley Dia: 119mm
Head: WK



Seat/Skoda

CM1221
Seat Cordoba, 99>
Seat Ibiza, 99-01
Seat Toledo, 99>

Model: SD7V16
Model # 1221
Voltage: 12V
Pulley Type: 6PV
Pulley Dia: 120mm
Head: VQL

Replaces: 1206



CM7158
Seat Cordoba, 1.6, 1.8Lt, 1/95-10/99

Model: SD7B10
Model # 7158
Voltage: 12V
Pulley Type: 6PV
Pulley Dia: 100mm
Head: PD



CM1162
Seat Cordoba, 1.6, 1.8Lt, 94-99
Seat Ibiza, 1.4, 2.0Lt, 94-99
Seat Toledo, 2.0Lt, 95-97

Model: SD7V16
Model # 1162
Voltage: 12V
Pulley Type: 6PV
Pulley Dia: 120mm
Head: VQD

Replaces: 1100, 1170
Jayair: CM1162J



CM7159
Skoda Octavia, 04>

Model: DCS17E
Voltage: 12V
Pulley Type: 6PV
Pulley Dia: 140mm

1K0820803L / N
Jayair: CM7159J



CM5587
Skoda Octavia, 1.4, 1.6, 2.0Lt, 9/01>

Model: 7SEU16C
Voltage: 12V
Pulley Type: 6PV
Pulley Dia: 110mm
Body # 447260-1700
Clutch # 248300-2850

1K0820859M
Jayair: CM5587J



CM5501
Skoda Superb, 1.9Lt TDi, 12/01-10/05

Model: 7SBU16C
Voltage: 12V
Pulley Type: 4PV
Pulley Dia: 120mm
Body # 447220-8180
Clutch # 447300-6040

8D0260805J



CM5572
Skoda Superb, 2.5Lt TDi, 12/01-8/03

Model: 7SBU16C
Voltage: 12V
Pulley Type: 4PV
Pulley Dia: 126mm
Body # 447220-8140
Clutch # 447300-6140



CM5500
Skoda Superb, 2.8Lt, 12/01>

Model: 7SBU16C
Voltage: 12V
Pulley Type: 6PV
Pulley Dia: 126mm
Body # 447260-2150
Clutch # 447300-4970



4B0 260 805 B

Smart/Ssangyong/
Sterling

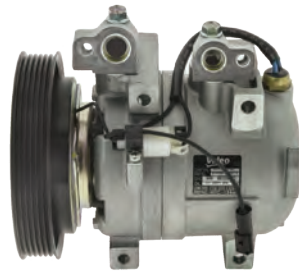
CM5484
Smart Forfour, 11/04>

Model: 5SE09C
Voltage: 12V
Pulley Type: 5PV
Pulley Dia: 100mm
Body # 447220-9680
Clutch # 248300-0880



CM1010
Ssangyong Musso

Model: DKV14C
Voltage: 12V
Pulley Type: 6PV
Pulley Dia: 145mm



CM8482
Sterling

Model: SD7H15
Model # 4482
Voltage: 12V
Pulley Type: 8PV
Pulley Dia: 119mm
Head: MD



Replaces: 4776

CM7469
Sterling Truck

Model: SD7H15
Model # 4469
Voltage: 12V
Pulley Type: 2A
Pulley Dia: 132mm
Head: GT

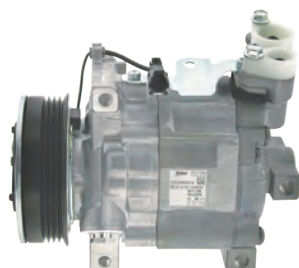


Replaces: 4603, U4603

Subaru

CM8369
Subaru Forester, 07>

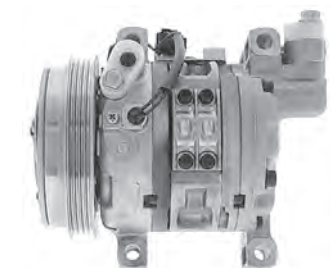
Model: DKV10R
Voltage: 12V
Pulley Type: 4PV
Pulley Dia: 100mm



73111SA010

CM8317
Subaru Forester, 8/96-7/98

Model: DKV11D
Voltage: 12V
Pulley Type: 4PV
Pulley Dia: 129mm



73111FA140

CM8330
Subaru Forester Y10

Model: DKV11D
Voltage: 12V
Pulley Type: 4PV
Pulley Dia: 139mm

**CM8357**
Subaru Forester

Model: DKV14G
Voltage: 12V
Pulley Type: 4PV
Pulley Dia: 125mm



731150A000
Jayair: **CM8357J**

CM8367
Subaru Impreza, 07>

Model: DKV10R
Voltage: 12V
Pulley Type: 4PV
Pulley Dia: 125mm



7311FG000, 7311FG001
73111FG002

CM3516
Subaru Impreza, 05>

Model: CR14
Voltage: 12V
Pulley Type: 4PK
Pulley Dia: 128mm



Jayair Brand
73111FE040

CM8316
Subaru Impreza, 8/99>
Subaru WRX, 96>

Model: DKV11G
Voltage: 12V
Pulley Type: 4PV
Pulley Dia: 130mm



73111FA151

CM8317
Subaru Impreza, 8/96-7/98
Subaru WRX, 96-98

Model: DKV11D
Voltage: 12V
Pulley Type: 4PV
Pulley Dia: 129mm



73111FA15
73111FA140

CM8315
Subaru Impreza, 93-96
Subaru WRX, 93-96

Model: DKV11D
Voltage: 12V
Pulley Type: 4PV
Pulley Dia: 125mm



73111FA110

CM8357
Subaru Impreza

Model: DKV14G
Voltage: 12V
Pulley Type: 4PV
Pulley Dia: 125mm



731150A000
Jayair: **CM8357J**

CM5387
Subaru Liberty, 06>

Model: SCSA08C
Voltage: 12V
Pulley Type: 4PV
Pulley Dia: 100mm
Body # 447260-7840
Clutch # 247300-3050



Picture unavailable at time of printing
refer www.cooldrive.com.au

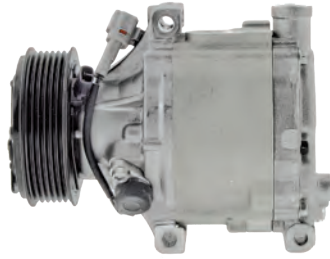
CM5366
Subaru Liberty, B4, 06>

Model: SCSA08C
Voltage: 12V
Pulley Type: 4PV
Pulley Dia: 93mm
Body # 447260-7940
Clutch # 247300-4860



CM5368
Subaru Liberty, 04>

Model: SCSA08C
Voltage: 12V
Pulley Type: 6PV
Pulley Dia: 93mm
Body # 447260-5290
Clutch # 247300-3210



CM9330
Subaru Liberty

Model: SCSA08C
Voltage: 12V
Pulley Type: 4PV
Pulley Dia: 100mm
Body # 447260-7940
Clutch # 247300-3200



73111AG001

CM5394
Subaru Liberty, 05>
Subaru Outback, 05>

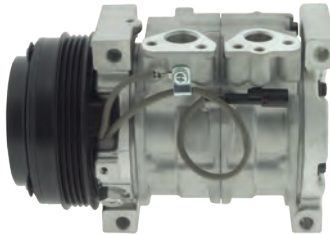
Model: SCSA08C
Voltage: 12V
Pulley Type: 6PV
Pulley Dia: 90mm
Body # 447260-5290
Clutch # 247300-3190



Suzuki

CM1694
Suzuki Baleno, 00>
Suzuki Liana

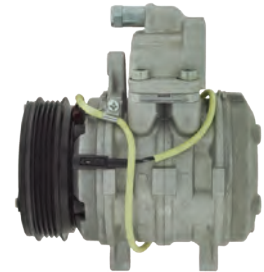
Model: 10S13C
Voltage: 12V
Pulley Type: 4PV
Pulley Dia: 114mm
Body # 447220-3393
Clutch # 447300-9130



Jayair: CM1694J

CM1657
Suzuki Baleno, 1.6Lt, 4/95>

Model: 10P08E
Voltage: 12V
Pulley Type: 4PV
Pulley Dia: 115mm
Body # 447200-8370
Clutch # 447300-3880



CM1945
Suzuki Grand Vitara, 08>

Model: DSC141C
Voltage: 12V
Pulley Type: 7PV
Pulley Dia: 110mm



95201-67J0A

CM9073
Suzuki Grand Vitara, V6

Model: DKS17D
Voltage: 12V
Pulley Type: 4PV
Pulley Dia: 119mm



95200-54JAO

CM2552
Suzuki Ignis, 10/00-2/05

Model: SS10LF10
Voltage: 12V
Pulley Type: 4PV
Pulley Dia: 110mm



95201-69GC0

CM1646
Suzuki Sierra SJ413, 1.3Lt, 2/96>

Model: 10P08E
Voltage: 12V
Pulley Type: 4PV
Pulley Dia: 105mm
Body # 447200-7460
Clutch # 447300-2250



CM1656

Suzuki Sierra SJ413, 1.3Lt, 2/94-1/96

Model: 10P08E
Voltage: 12V
Pulley Type: 1A
Pulley Dia: 115mm
Body # 447200-8220
Clutch # 447300-3730

**CM5418**

Suzuki Swift EZ, 05>

Model: Panasonic
Voltage: 12V
Pulley Type: 4PV
Pulley Dia: 110mm

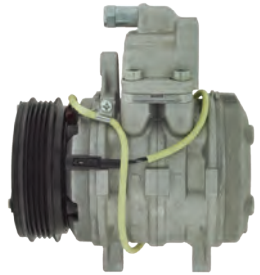


Jayair Brand
 95201-63JA1

CM1657

Suzuki Swift SF413, SF416, GTI, 1.3, 1.6Lt 6/94>

Model: 10P08E
Voltage: 12V
Pulley Type: 4PV
Pulley Dia: 115mm
Body # 447200-8370
Clutch # 447300-3880



Power Steering

CM1658

Suzuki Swift SF410, SF413, 1.0, 1.3Lt, 6/94>

Model: 10P08E
Voltage: 12V
Pulley Type: 4PV
Pulley Dia: 115mm
Body # 447200-8380
Clutch # 447300-3880



Standard Steering

CM1718

Suzuki Swift, 11/88-93

Model: 10P08E
Voltage: 12V
Pulley Type: 4PV
Pulley Dia: 105mm
Body # 047200-9923
Clutch # 047300-5810

**CM5419**

Suzuki SX4, 2.0Lt, 07>

Model: Panasonic
Voltage: 12V
Pulley Type: 4PV
Pulley Dia: 110mm

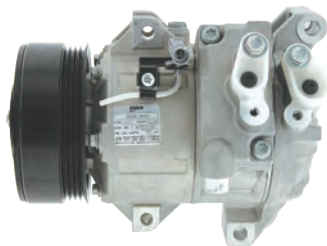


Jayair Brand
 95201-80JA0

CM9074

Suzuki Vitara, V6, 10/05>

Model: DSKS141C
Voltage: 12V
Pulley Type: 4PV
Pulley Dia: 110mm

**CM1853**

Suzuki Vitara, V6, 00>

Model: 10S13C
Voltage: 12V
Pulley Type: 4PV
Pulley Dia: 110mm
Body # 447220-4143
Clutch # 447300-9130

**CM1646**

Suzuki Vitara TA01, TA02, 5/95>

Model: 10P08E
Voltage: 12V
Pulley Type: 4PV
Pulley Dia: 105mm
Body # 447200-7460
Clutch # 447300-2250


**CM1650**

Suzuki Vitara TD01, 5/95>

Model: 10P08E
Voltage: 12V
Pulley Type: 4PV
Pulley Dia: 100mm
Body # 447200-7460
Clutch # 447300-2870




CM1719
Suzuki Vitara, 8/89-4/95



Model: 10P08E
Voltage: 12V
Pulley Type: 4PV
Pulley Dia: 105mm
Body # 047200-6020
Clutch # 047300-5330



CM1635
Toyota 4 Runner LN130, 8/93-5/96




Model: 10PA17C
Voltage: 12V
Pulley Type: 1A
Pulley Dia: 140mm
Body # 447200-3680
Clutch # 447300-1810

CM1712
Toyota 4 Runner LN130, 11/89-7/91




Model: 10PA17C
Voltage: 12V
Pulley Type: 1A
Pulley Dia: 141mm
Body # 147200-4080
Clutch # 047300-6860

CM1637
Toyota 4 Runner RN130, 8/93-5/96




Model: 10PA17C
Voltage: 12V
Pulley Type: 1A
Pulley Dia: 137mm
Body # 447200-3730
Clutch # 447300-1830

CM1713
Toyota 4 Runner RN130, 11/89-8/91




Model: 10PA17C
Voltage: 12V
Pulley Type: 1A
Pulley Dia: 135mm
Body # 147200-4100
Clutch # 047300-6840

CM1636
Toyota 4 Runner VZN130, 3VZ-E, 3.0Lt V6
8/93-5/96




Model: 10PA17C
Voltage: 12V
Pulley Type: 1A
Pulley Dia: 143mm
Body # 447200-3720
Clutch # 447300-1840

CM1703
Toyota 4 Runner VZN130, 3.0Lt V6
91-93



Model: 10PA17C
Voltage: 12V
Pulley Type: 1A
Pulley Dia: 143mm
Body # 147200-4230
Clutch # 047300-6770

CM8842
Toyota Aurion GSV40R, 3.5Lt V6, 10/06>



Model: 6SBU16C
Voltage: 12V
Pulley Type: 7PV
Pulley Dia: 115mm
Body # 447260-3420
Clutch # 247300-5280

Auto Transmission

CM1679
Toyota Avalon MCX10, 5/00>



Model: 10PA17C
Voltage: 12V
Pulley Type: 6PV
Pulley Dia: 130mm
Body # 447200-5010
Clutch # 447300-6630

Jayair: CM1679J

CM5580

Toyota Avensis Verso ACM21R, 2.4Lt, 03>

Model: 6SEU16C
Voltage: 12V
Pulley Type: 7PV
Pulley Dia: 110mm
Body # 447260-0529

**CM1782**

Toyota Avensis Verso ACM20, 2.0Lt, 5/01-10/03

Model: 10S17C
Voltage: 12V
Pulley Type: 7PV
Pulley Dia: 120mm
Body # 447220-4210
Clutch # 447300-9270

**CM8850**

Toyota Camry ASV50R, 2.5Lt, 12/11>

Model: TSE17C
Voltage: 12V
Pulley Type: 6PV
Pulley Dia: 120mm
Body # 447280-9080
Clutch # 248300-2951



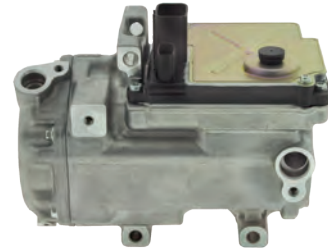
Picture unavailable at time of printing
refer www.cooldrive.com.au

88310-06440

CM8845

Toyota Camry Hybrid AHV40R, 2.4Lt 4 cyl 2/10>

Model: ES27C
Body # 042000-0242



88370-30021

CM8841

Toyota Camry ACV40R, 2.4Lt 4 cyl, 7/06-1/12

Model: 6SEU16C
Voltage: 12V
Pulley Type: 7PV
Pulley Dia: 114mm
Body # 447260-1207
Clutch # 047420-1560



Manual Transmission

CM8840

Toyota Camry ACV40R, 2.4Lt 4 cyl, 7/06-1/12

Model: 6SEU16C
Voltage: 12V
Pulley Type: 7PV
Pulley Dia: 114mm
Body # 447260-0978
Clutch # 047420-1560

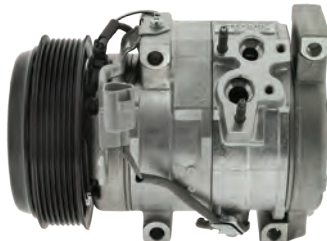


Auto Transmission

CM1762

Toyota Camry ACV36, 4 cyl, 9/02-6/06

Model: 10S17C
Voltage: 12V
Pulley Type: 7PV
Pulley Dia: 134mm
Body # 447220-4060
Clutch # 247300-0810

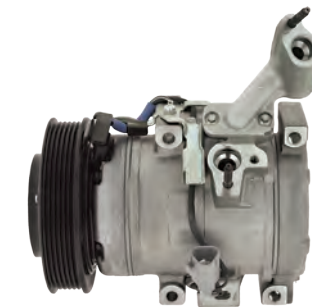


Jayair: CM1762J

CM1763

Toyota Camry MCV36, V6, 9/02-6/06

Model: 10S17C
Voltage: 12V
Pulley Type: 6PV
Pulley Dia: 137mm
Body # 447220-4800
Clutch # 447300-8330

**CM1679**

Toyota Camry MCV20R, V6, 97>

Model: 10PA17C
Voltage: 12V
Pulley Type: 6PV
Pulley Dia: 130mm
Body # 447200-5010
Clutch # 447300-6630



Jayair: CM1679J

CM1676

Toyota Camry SXV20R, 4 cyl, 8/97>

Model: 10PA17C
Voltage: 12V
Pulley Type: 5PV
Pulley Dia: 130mm
Body # 447200-4650
Clutch # 447300-9260



CM1702

Toyota Camry SV20, SV21, SV22, 3S-FE 4 cyl
1/87-11/92

Model: 10PA17C
Voltage: 12V
Pulley Type: 5PV
Pulley Dia: 140mm
Body # 047200-7960
Clutch # 047300-4410



CM1618

Toyota Camry Wide Body, SDV10, SXV10, 4 cyl
93-97

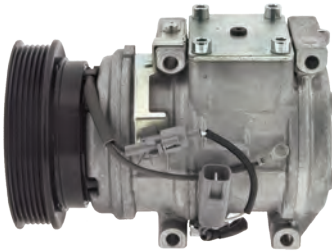
Model: 10PA17C
Voltage: 12V
Pulley Type: 5PV
Pulley Dia: 140mm
Body # 447200-4510
Clutch # 447300-0510



CM1674

Toyota Camry Wide Body, VDV10, VCV10, V6
93-97

Model: 10PA17C
Voltage: 12V
Pulley Type: 6PV
Pulley Dia: 131mm
Body # 447200-4523
Clutch # 447300-0520



CM1696

Toyota Camry VZV21, V6

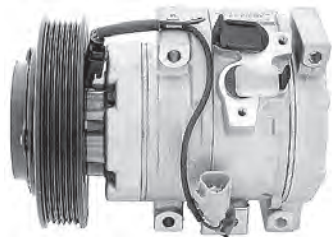
Model: 10PA17VC
Voltage: 12V
Pulley Type: 6PV
Pulley Dia: 131mm
Body # 147200-4480
Clutch # 047300-7491



CM1692

Toyota Celica ZTZ231R, 1ZZ-FE, 8/99>

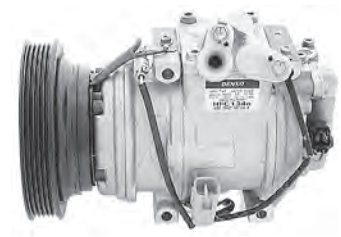
Model: 10S15L
Voltage: 12V
Pulley Type: 6PV
Pulley Dia: 140mm
Body # 447220-3610
Clutch # 447300-8600



CM1639

Toyota Celica ST205, 3S-GTE, 11/93-8/95

Model: 10PA17VC
Voltage: 12V
Pulley Type: 5PV
Pulley Dia: 140mm
Body # 447200-3770
Clutch # 447300-2060

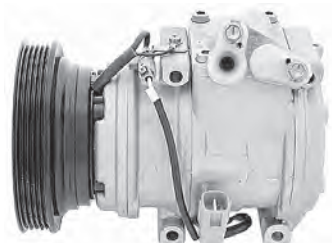


Manual Transmission

CM1638

Toyota Celica ST204, 5S-FE, 11/93-99

Model: 10PA17VL
Voltage: 12V
Pulley Type: 5PV
Pulley Dia: 135mm
Body # 447200-3760
Clutch # 447300-1730

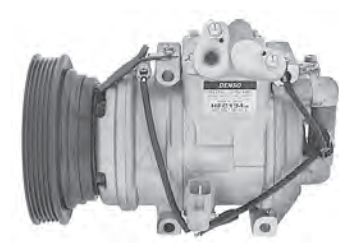


Manual Transmission

CM1739

Toyota Celica ST204, 11/93-8/95

Model: 10PA17VC
Voltage: 12V
Pulley Type: 5PV
Pulley Dia: 135mm
Body # 447200-5480
Clutch # 447300-1730



Auto Transmission

CM1755

Toyota Celica ST184, 12/89-11/93

Model: 10PA15VL
Voltage: 12V
Pulley Type: 5PV
Pulley Dia: 135mm
Body # 147200-5895
Clutch # 047300-9481



CM1705

Toyota Celica ST162, 10/85-11/89

Model: 10P15C
Voltage: 12V
Pulley Type: 5PV
Pulley Dia: 140mm
Body # 047200-7700
Clutch # 047300-4170



CM5425
Toyota Coaster Bus

Model: 10P25B
Voltage: 24V
Pulley Type: 1B
Pulley Dia: 166mm
Body # 047200-6290
Clutch # 047300-3250

**CM5426**
Toyota Coaster Bus

Model: 10P25C
Voltage: 24V
Pulley Type: 2HM
Pulley Dia: 155mm
Body # 047200-9210
Clutch # 047300-3670

**CM5427**
Toyota Coaster Bus

Model: 10P25B
Voltage: 24V
Pulley Type: 1B
Pulley Dia: 166mm
Body # 047200-8220
Clutch # 047300-3250

**CM5430**
Toyota Coaster Bus

Model: 10P30B
Voltage: 24V
Pulley Type: 2B
Pulley Dia: 166mm
Body # 447220-1100
Clutch # 447300-1600
 CM5432 W/O Clutch

**CM5432**
Toyota Coaster Bus

Model: 10P30B
Body # 447220-1100

CM5430 With Clutch
 Clutch to suit CL1600

**CM5435**
Toyota Coaster Bus

Model: 10P30C
Voltage: 24V
Pulley Type: 2A
Pulley Dia: 155mm
Body # 447220-0060
Clutch # 447300-0610

**CM5436**
Toyota Coaster Bus

Model: 10P30C
Voltage: 24V
Pulley Type: 2A
Pulley Dia: 155mm
Body # 447220-1472
Clutch # 447300-0611

**CM5424**
Toyota Coaster, ST190, ST191, ST195, 3S-FE
4S-FE

Model: 10PA15L
Voltage: 12V
Pulley Type: 5PV
Pulley Dia: 145mm
Body # 447200-1412
Clutch # 447300-0220

**CM5434**
Toyota Coaster, Diesel, HZB50


Model: 10P30C
Voltage: 24V
Pulley Type: 7PV
Pulley Dia: 155mm
Body # 447220-1472
Clutch # 447300-8790

**CM1631**
Toyota Commuter Bus, 8/93-7/98

Model: 10PA17C
Voltage: 12V
Pulley Type: 4PV
Pulley Dia: 110mm
Body # 447200-3500
Clutch # 447300-1490




CM1630
Toyota Commuter Bus, 8/93-00




Model: 10PA17C
Voltage: 12V
Pulley Type: 1A
Pulley Dia: 135mm
Body # 447200-3490
Clutch # 447300-1510

CM1741
Toyota Commuter Bus, 2.2Lt, 86-89



Model: 10P17C
Voltage: 12V
Pulley Type: 1A
Pulley Dia: 145mm
Body # 047200-4190
Clutch # 047300-2720

CM1684
Toyota Corolla ZRE152, 07>



Model: 6SEU14C
Voltage: 12V
Pulley Type: 6PV
Pulley Dia: 124mm
Body # 447260-1494
Clutch # 248300-1580


CM1680
Toyota Corolla ZZE122R, 01>



Model: SCSA06C
Voltage: 12V
Pulley Type: 6PV
Pulley Dia: 98mm
Body # 447220-6385
Clutch # 247300-3090


Jayair: CM1680J

CM1607
Toyota Corolla AE101, AE102, AE112R, 7A-FE, 2/94-10/01



Model: TV12C
Voltage: 12V
Pulley Type: 4PV
Pulley Dia: 155mm
Body # 442500-2630
Clutch # 447300-1000

CM1709
Toyota Corolla AE93, 6/89-8/93



Model: TV12C
Voltage: 12V
Pulley Type: 5PV
Pulley Dia: 126mm
Body # 142500-2660
Clutch # 047300-7400

Power Steering


CM1644
Toyota Corolla AE92, AE94, AE95, AE96
8/93-5/94



Model: 10PA15C
Voltage: 12V
Pulley Type: 5PV
Pulley Dia: 150mm
Body # 447200-0210
Clutch # 447300-2440


Jayair: CM1644J

CM1708
Toyota Corolla AE90, AE92, 6/89-9/93




Model: 10PA15C
Voltage: 12V
Pulley Type: 4PV
Pulley Dia: 146mm
Body # 147200-5933
Clutch # 047300-7431

CM1707
Toyota Corolla AE82, Twin cam, 9/86>



Model: 10P13C
Voltage: 12V
Pulley Type: 5PV
Pulley Dia: 140mm
Body # 047200-6520
Clutch # 047300-3570

CM1695
Toyota Corolla AE82, 9/86-12/88



Model: 10P13C
Voltage: 12V
Pulley Type: 1A
Pulley Dia: 137mm
Body # 047200-6530
Clutch # 047300-3110

CM1706

Toyota Corolla AE80, AE82, 11/86-12/88

Model: 10P13C
Voltage: 12V
Pulley Type: 5PV
Pulley Dia: 140mm
Body # 047200-6510
Clutch # 047300-3570



With Speed Sensor

CM1711

Toyota Cressida MX83, 8/88-9/93

Model: 10PA17C
Voltage: 12V
Pulley Type: 4PV
Pulley Dia: 137mm
Body # 147200-3820
Clutch # 047300-6650

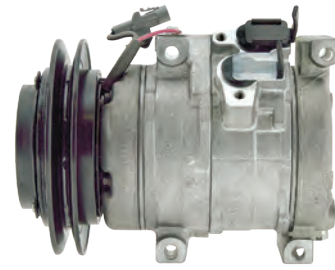
**CM1710**

Toyota Cressida MX73, 10/85-8/88

Model: 10P15C
Voltage: 12V
Pulley Type: 1A
Pulley Dia: 142mm
Body # 047200-4500
Clutch # 047300-3460

**CM1796**Toyota Dyna 4500 XZU Series, 4.6Lt 4 cyl
3/01-4/03

Model: 10S15C
Voltage: 24V
Pulley Type: 1A
Pulley Dia: 143mm
Body # 447220-3514
Clutch # 447300-8640

**CM5406**

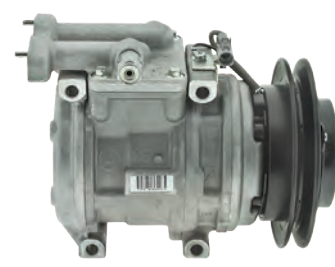
Toyota Dyna, 00>

Model: 10PA15VC
Voltage: 12V
Pulley Type: 5PV
Pulley Dia: 140mm
Body # 447200-0836
Clutch # 447300-3920

**CM1665**

Toyota Dyna BU110, BU142, 95>

Model: 10PA15C
Voltage: 12V
Pulley Type: 1A
Pulley Dia: 140mm
Body # 447200-0630
Clutch # 447300-1810

**CM1746**

Toyota Dyna BU91

Model: 10PA15C
Voltage: 12V
Pulley Type: 1A
Pulley Dia: 143mm
Body # 447200-0640
Clutch # 447300-1810

**CM1642**

Toyota Dyna BU88, 9/93-4/95

Model: 10PA15C
Voltage: 12V
Pulley Type: 1A
Pulley Dia: 138mm
Body # 447200-0640
Clutch # 447300-2520

**CM1600**

Toyota Dyna YH81, 9/93-9/94

Model: 10P15C
Voltage: 12V
Pulley Type: 1A
Pulley Dia: 142mm
Body # 447200-7640
Clutch # 447300-2530

**CM1641**

Toyota Dyna BU60, BU65, BU66, 9/93-4/95

Model: 10PA15C
Voltage: 12V
Pulley Type: 1A
Pulley Dia: 138mm
Body # 447200-0630
Clutch # 447300-2520



CM1643
Toyota Dyna LY61, 9/93-4/95

Model: 10PA15C
Voltage: 12V
Pulley Type: 1A
Pulley Dia: 143mm
Body # 447200-0660
Clutch # 447300-2580



CM5401
Toyota Dyna, 1/91-8/93

Model: 10PA15C
Voltage: 12V
Pulley Type: 1A
Pulley Dia: 143mm
Body # 147200-5473
Clutch # 047300-8061



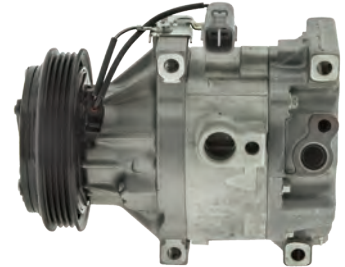
CM1764
Toyota Echo NCP12R, 8/02-10/05

Model: SCSA06C
Voltage: 12V
Pulley Type: 4PV
Pulley Dia: 115mm
Body # 447260-7812
Clutch # 247300-3030



CM1742
Toyota Echo NCP12R, 8/99-8/02

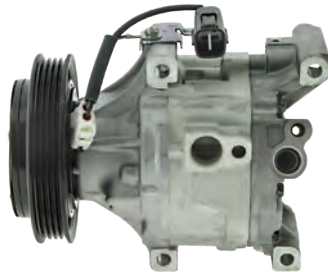
Model: SCS06C
Voltage: 12V
Pulley Type: 4PV
Pulley Dia: 115mm
Body # 447220-6068
Clutch # 447300-8630



88310-52080

CM1693
Toyota Echo NCP10R, 8/98-8/99

Model: SCSA06C
Voltage: 12V
Pulley Type: 4PV
Pulley Dia: 115mm
Body # 447220-6663
Clutch # 247300-3040



88310-52380

CM5420
Toyota FJ Cruiser GSJ15R, 4.0Lt V6, 3/11>

Model: 10S17C
Voltage: 12V
Pulley Type: 7PV
Pulley Dia: 110mm
Body # 447280-1341
Clutch # 247300-2731



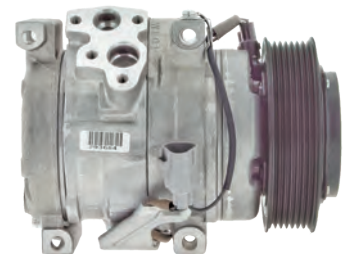
CM1864
Toyota Hiace KDH, 05>

Model: 10S17C
Voltage: 12V
Pulley Type: 7PV
Pulley Dia: 120mm
Body # 447260-8231
Clutch # 447300-9271



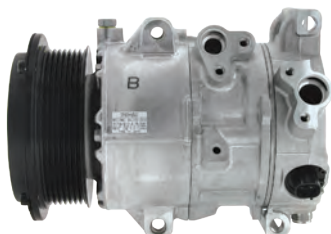
CM1866
Toyota Hiace, 05>
Toyota Hilux

Model: 10S15C
Voltage: 12V
Pulley Type: 7PV
Pulley Dia: 120mm
Body # 447220-4242
Clutch # 447300-9271



CM1862
Toyota Hiace TRH201R, TRH221R, TRH223R
05>

Model: 6SEU16C
Voltage: 12V
Pulley Type: 7PV
Pulley Dia: 110mm
Body # 447260-0560
Clutch # 248300-1001



CM1790
Toyota Hiace RZH125R, Commuter Bus, 8/98>

Model: 10PA17C
Voltage: 12V
Pulley Type: 4PV
Pulley Dia: 115mm
Body # 447220-8920
Clutch # 447300-3190



CM1631

Toyota Hiace RZH125, 8/93-7/98

Model: 10PA17C
Voltage: 12V
Pulley Type: 4PV
Pulley Dia: 110mm
Body # 447200-3500
Clutch # 447300-1490

**CM1690**

Toyota Hiace RZH103, RZH113R, 8/98>

Model: 10PA15L
Voltage: 12V
Pulley Type: 4PV
Pulley Dia: 110mm
Body # 447200-0340
Clutch # 447300-2380

**CM1737**

Toyota Hiace RZH103, RZH113R

Model: 10PA15L
Voltage: 12V
Pulley Type: 4PV
Pulley Dia: 115mm
Body # 147200-1500
Clutch # 047300-7760

**CM1666**

Toyota Hiace RCH12R SBV, 9/95>

Model: 10PA15L
Voltage: 12V
Pulley Type: 4PV
Pulley Dia: 110mm
Body # 447200-1050
Clutch # 447300-2380

**CM1630**

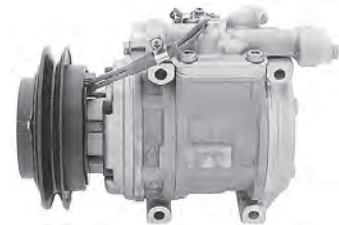
Toyota Hiace LH125, 8/93-00

Model: 10PA17C
Voltage: 12V
Pulley Type: 1A
Pulley Dia: 135mm
Body # 447200-3490
Clutch # 447300-1510

**CM1629**

Toyota Hiace LH103, LH113, 8/93>

Model: 10PA15L
Voltage: 12V
Pulley Type: 1A
Pulley Dia: 133mm
Body # 447200-0260
Clutch # 447810-0100



Jayair: CM1629J

CM1632

Toyota Hiace LH103, LH113, 3.0Lt, 8/93>

Model: 10PA15L
Voltage: 12V
Pulley Type: 4PV
Pulley Dia: 110mm
Body # 447200-0340
Clutch # 447300-1490

**CM1741**

Toyota Hiace YH73, 2.2Lt, 86-89

Model: 10P17C
Voltage: 12V
Pulley Type: 1A
Pulley Dia: 145mm
Body # 047200-4190
Clutch # 047300-2720

**CM1787**

Toyota Hilux TGN16R, 2.7Lt 4 cyl, 3/05>

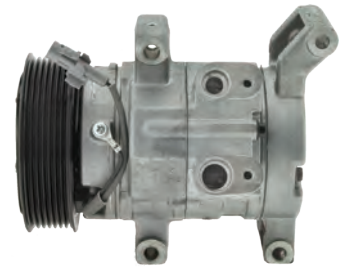
Model: 10S11C
Voltage: 12V
Pulley Type: 7PV
Pulley Dia: 125mm
Body # 447260-8040
Clutch # 247300-6830



Jayair: CM1787J

CM1788Toyota Hilux GGN15R, GGN25R
4.0Lt V6, 3/05>

Model: 10S11C
Voltage: 12V
Pulley Type: 7PV
Pulley Dia: 125mm
Body # 447260-8040
Clutch # 247300-6840
CM1580 W/O Clutch



CM1580
Toyota Hilux GGN15R, GGN25R
4.0Lt V6, 3/05>

Model: 10S11C
Body # 447260-8040

CM1788 With Clutch
Clutch to suit CL1477



CM1789
Toyota Hilux KUN16R, KUN26R, 3.0Lt Diesel
3/05>

Model: 10S11C
Voltage: 12V
Pulley Type: 7PV
Pulley Dia: 125mm
Body # 447260-8020
Clutch # 247300-6800

Jayair: CM1789J



CM1761
Toyota Hilux VZN167R, 5VZ-FE, 3.4Lt V6
11/02-3/05

Model: 10S15C
Voltage: 12V
Pulley Type: 4PV
Pulley Dia: 136mm
Body # 447220-4010
Clutch # 247300-2010



CM1661
Toyota Hilux KZN165, 00>

Model: 10PA15C
Voltage: 12V
Pulley Type: 1A
Pulley Dia: 143mm
Body # 447200-2120
Clutch # 447300-1170



CM4619
Toyota Hilux RZN147, RZN149, RZN154
RZN169, RZN174, 8/97>

Model: 10PA15C
Voltage: 12V
Pulley Type: 4PV
Pulley Dia: 126mm
Body # 447200-1540
Clutch # 447300-4120



CM4620
Toyota Hilux LN147, LN152, LN167, LN172
8/97>

Model: 10PA15C
Voltage: 12V
Pulley Type: 1A
Pulley Dia: 143mm
Body # 447200-1520
Clutch # 447300-1170



CM1655
Toyota Hilux LN105, LN106, 12/93-7/97

Model: 10PA15C
Voltage: 12V
Pulley Type: 1A
Pulley Dia: 143mm
Body # 447200-0750
Clutch # 447300-1170



CM1655J
Toyota Hilux LN105, LN106, 12/93-7/97

Model: 10PA15C
Voltage: 12V
Pulley Type: 1A
Pulley Dia: 143mm
Body # 447200-0750
Clutch # 447300-1170



CM1654
Toyota Hilux RN85, RN90, RN105, RN106
12/93-7/97
Toyota Hilux YN85, 4/94-8/94

Model: 10PA15C
Voltage: 12V
Pulley Type: 1A
Pulley Dia: 135mm
Body # 447200-0720
Clutch # 447300-1520



CM1663
Toyota Hilux YN85, 8/94-7/97

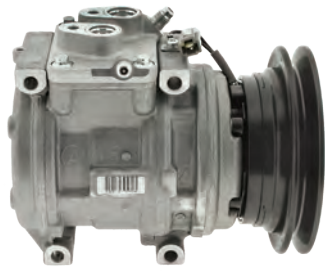
Model: 10PA15C
Voltage: 12V
Pulley Type: 1A
Pulley Dia: 133mm
Body # 447200-0990
Clutch # 447300-4500



CM1697

Toyota Hilux LN85, LN106, LN111, 8/90-7/91

Model: 10PA15C
Voltage: 12V
Pulley Type: 1A
Pulley Dia: 140mm
Body # 147200-4970
Clutch # 047300-6000

**CM1698**

Toyota Hilux RN, 8/88-7/91

Model: 10PA15C
Voltage: 12V
Pulley Type: 1A
Pulley Dia: 135mm
Body # 147200-0190
Clutch # 047300-6010

**CM1869**

Toyota Hilux YN55, YN57, YN67, 9/86

Model: 10P13C
Voltage: 12V
Pulley Type: 1A
Pulley Dia: 143mm
Body # 047200-3980
Clutch # 047300-2170

**CM5848**

Toyota Kluger GSU40R, GSU45R, 8/07>

Model: 10SR19C
Voltage: 12V
Pulley Type: 7PV
Pulley Dia: 120mm
Body # 447260-1996
Clutch # 247300-5280



With Single A/C

CM5845

Toyota Kluger GSU40R, GSU45R, 8/07>

Model: 10SR19C
Voltage: 12V
Pulley Type: 7PV
Pulley Dia: 120mm
Body # 447260-1985
Clutch # 247300-5280



With Rear A/C

CM1781

Toyota Kluger MCU28, 3.3Lt V6, 8/03>

Model: 10S17C
Voltage: 12V
Pulley Type: 5PV
Pulley Dia: 155mm
Body # 447220-3270
Clutch # 447300-1820

**CM1875**Toyota Landcruiser 200 Series, VDJ200
4.5Lt V8 Turbo Diesel, 11/07>

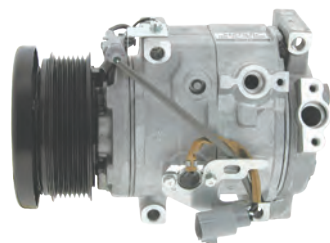
Model: 10SR19C
Voltage: 12V
Pulley Type: 9PV
Pulley Dia: 125mm
Body # 447280-0053
Clutch # 247300-5671

**CM1872**Toyota Landcruiser 200 Series, UZJ200
5.7Lt V8, 11/07>

Model: 10SR19C
Voltage: 12V
Pulley Type: 6PV
Pulley Dia: 115mm
Body # 447280-0032
Clutch # 247300-5762

**CM1874**Toyota Landcruiser 200 Series, GRJ200
4.7Lt V8, 11/07>

Model: 10SR19C
Voltage: 12V
Pulley Type: 9PV
Pulley Dia: 125mm
Body # 447280-0012
Clutch # 247300-5652


**CM1870**Toyota Landcruiser 100 Series, HDJ100
HDJ105, V8 Turbo Sahara, 10/02>

Model: 10PA17C
Voltage: 12V
Pulley Type: 4PV
Pulley Dia: 120mm
Body # 447200-5402
Clutch # 447300-7230



CM1688
 Toyota Landcruiser 100 Series, HZJ105
 Non-Turbo, 98>


Model: 10PA15L
 Voltage: 12V
 Pulley Type: 1A
 Pulley Dia: 143mm
 Body # 447200-1710
 Clutch # 447300-1170



CM1751
 Toyota Landcruiser 100 Series, HZJ105
 Non-Turbo, 98>
 Toyota Landcruiser 100 Series, HDJ100, 8/00>

Model: 10PA15L
 Body # 447200-1710


Clutch to suit CL1329
 or CL1413



CM1744
 Toyota Landcruiser 100 Series, HDJ100, 8/00>
 Toyota Landcruiser 70 Series, HDJ78, HDJ79
 8/01>


Model: 10PA15L
 Voltage: 12V
 Pulley Type: 4PV
 Pulley Dia: 120mm
 Body # 447200-1710
 Clutch # 447300-7230

Jayair: CM1744J



CM1765
 Toyota Landcruiser 100 Series, UZJ100R
 4.7Lt V8, 3/98-10/07

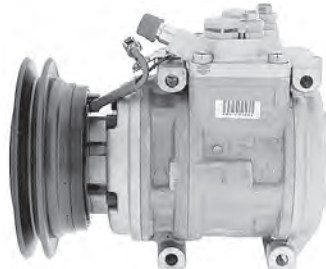
Model: 10PA20C
 Voltage: 12V
 Pulley Type: 6PV
 Pulley Dia: 125mm
 Body # 447200-6540
 Clutch # 447300-7590



CM1662
 Toyota Landcruiser 80 Series, HDJ80, HZJ80
 1/95-12/97

Model: 10PA15L
 Voltage: 12V
 Pulley Type: 1A
 Pulley Dia: 143mm
 Body # 447200-0980
 Clutch # 447300-1170


Jayair: CM1662J



CM1622
 Toyota Landcruiser 80 Series, HDJ80, HZJ80
 5/93-12/94

Model: 10PA15C
 Voltage: 12V
 Pulley Type: 1A
 Pulley Dia: 135mm
 Body # 447200-0320
 Clutch # 447300-1520


Jayair: CM1622J



CM1625
 Toyota Landcruiser 80 Series, FZJ80, FZJ105
 5/93>


Model: 10PA17C
 Voltage: 12V
 Pulley Type: 1A
 Pulley Dia: 133mm
 Body # 447200-3540
 Clutch # 447300-1500

Jayair: CM1625J



CM5402
 Toyota Landcruiser 80 Series, FZJ80
 3F Engine, 93>


Model: 10PA17C
 Voltage: 12V
 Pulley Type: 1A
 Pulley Dia: 143mm
 Body # 147200-4180
 Clutch # 047300-8911



CM1732
 Toyota Landcruiser 80 Series, HDJ80, HZJ80
 1/90-4/93

Model: 10PA15C
 Voltage: 12V
 Pulley Type: 1A
 Pulley Dia: 135mm
 Body # 147200-5630
 Clutch # 147300-0170


Jayair: CM1732J



CM1751
 Toyota Landcruiser 70 Series, HDJ78, HDJ79
 8/01>

Model: 10PA15L
 Body # 447200-1710

Clutch to suit CL1329
 or CL1413



CM1621

Toyota Landcruiser 70 Series, FZJ75, FZJ78
FZJ79, 5/93>

Model: 10PA15L
Voltage: 12V
Pulley Type: 1A
Pulley Dia: 133mm
Body # 447200-0300
Clutch # 447300-1500

**CM1622**

Toyota Landcruiser 70 Series, HZJ75, HZJ78
HZJ79, 5/93>

Model: 10PA15C
Voltage: 12V
Pulley Type: 1A
Pulley Dia: 135mm
Body # 447200-0320
Clutch # 447300-1520



Jayair: CM1622J

CM5408

Toyota Landcruiser 70 Series, HZJ78, HZJ79
4.2Lt Diesel, 10/99-2/07

Model: 10S17C
Voltage: 12V
Pulley Type: 8PV
Pulley Dia: 144mm
Body # 447260-6671
Clutch # 247300-5460

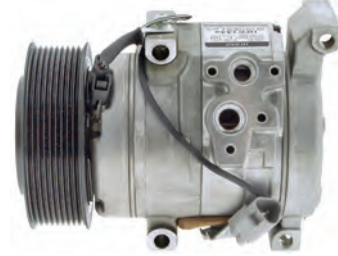


88320-6A230

CM1686

Toyota Landcruiser 70 Series, LC70, VDJ76
VDJ78, VDJ79, 4.5Lt Turbo Diesel V8, 07>

Model: 10S15C
Voltage: 12V
Pulley Type: 9PV
Pulley Dia: 120mm
Body # 447260-6701
Clutch # 247300-5470

**CM1740**

Toyota Landcruiser 70 Series, BJ70

Model: 10P15C
Body # 047200-8720



Clutch to suit CL1303

CM1732

Toyota Landcruiser 70 Series, PZJ70, PZJ73
1/90-8/91
Toyota Landcruiser 70 Series, HZJ70, HZJ73,
HZJ75, 3/90>

Model: 10PA15C
Voltage: 12V
Pulley Type: 1A
Pulley Dia: 135mm
Body # 147200-5630
Clutch # 147300-0170



Jayair: CM1732J

CM1730

Toyota Landcruiser 70 Series, FJ70, FJ73
FJ75, 3/90-9/92

Model: 10PA15C
Voltage: 12V
Pulley Type: 1A
Pulley Dia: 130mm
Body # 147200-5650
Clutch # 047300-8830

**CM1733**

Toyota Landcruiser 70 Series, LJ70, 86-90

Model: 10P15C
Voltage: 12V
Pulley Type: 1A
Pulley Dia: 143mm
Body # 047200-8710
Clutch # 047300-7350

**CM1729**

Toyota Landcruiser 60 Series, FJ62, 1/85-9/87
Toyota Landcruiser 70 Series, FJ70, FJ73
FJ75, 10/86-90

Model: 10P15C
Voltage: 12V
Pulley Type: 1A
Pulley Dia: 143mm
Body # 047200-8780
Clutch # 047300-2170

**CM1854**

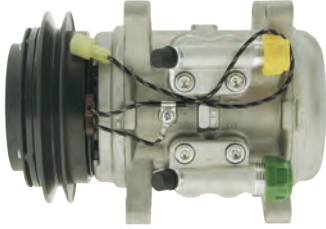
Toyota Landcruiser 60 Series, FJ60, 80-84

Model: 6P148A
Voltage: 12V
Pulley Type: 1A
Pulley Dia: 145mm
Body # 047200-3330
Clutch # 047300-1960



CM1734
Toyota Landcruiser 60 Series, HJ60


Model: 6P148A
Voltage: 12V
Pulley Type: 1A
Pulley Dia: 143mm
Body # 047200-1980
Clutch # 047300-2170



CM1727
Toyota Landcruiser 60 Series, HJ60, HJ61 1/86>
Toyota Landcruiser 70 Series, HJ75, 10/86-90

Model: 10P15C
Voltage: 12V
Pulley Type: 1A
Pulley Dia: 143mm
Body # 047200-8760
Clutch # 047300-7350

Jayair: CM1727J



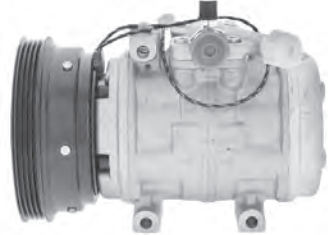
CM1723
Toyota Liteace CM35, 85-89

Model: 10P15C
Voltage: 12V
Pulley Type: 1A
Pulley Dia: 125mm
Body # 047200-3300
Clutch # 047300-1880



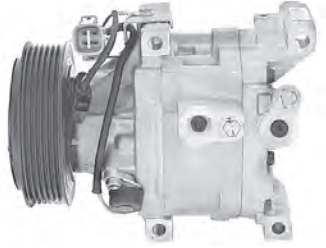
CM1724
Toyota Liteace CM20, 85>

Model: 10P15C
Voltage: 12V
Pulley Type: 4PV
Pulley Dia: 140mm
Body # 047200-3300
Clutch # 047300-2840



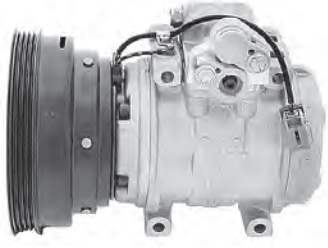
CM1743
Toyota MR2 ZZW30, 1.8Lt, 8/00>

Model: SCSA06C
Voltage: 12V
Pulley Type: 6PV
Pulley Dia: 110mm
Body # 447260-7901
Clutch # 247300-3080




CM1649
Toyota MR2 SW20, 2.0Lt 4 cyl, 9/93-8/00

Model: 10P13C
Voltage: 12V
Pulley Type: 4PV
Pulley Dia: 155mm
Body # 447200-7800
Clutch # 447300-2830



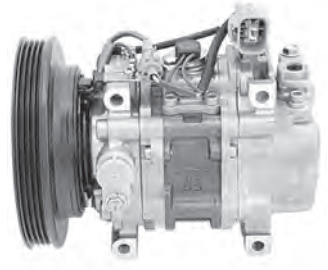
CM1617
Toyota Paseo EL54, 8/96>

Model: SC08C
Voltage: 12V
Pulley Type: 4PV
Pulley Dia: 105mm
Body # 442500-2640
Clutch # 447300-6220



CM1608
Toyota Paseo EL54, 95-96


Model: TV12C
Voltage: 12V
Pulley Type: 4PV
Pulley Dia: 145mm
Body # 442500-2640
Clutch # 447300-2090



CM1602
Toyota Paseo EL44, 8/93-8/95

Model: TV12EC
Voltage: 12V
Pulley Type: 4PV
Pulley Dia: 145mm
Body # 442500-2600
Clutch # 447300-2090


Manual Transmission



CM1603
Toyota Paseo EL44, 8/93-8/95

Model: TV12C
Voltage: 12V
Pulley Type: 4PV
Pulley Dia: 145mm
Body # 442500-2240
Clutch # 447300-2090

Auto Transmission



CM1715

Toyota Paseo EL44, 8/92-7/93

Model: TV12C
Voltage: 12V
Pulley Type: 4PV
Pulley Dia: 140mm
Body # 142500-2840
Clutch # 447300-0800

**CM1714**

Toyota Paseo EL44, 4/91-7/92

Model: TV12C
Voltage: 12V
Pulley Type: 4PV
Pulley Dia: 140mm
Body # 142500-2840
Clutch # 047300-9560



Manual Transmission

CM1882

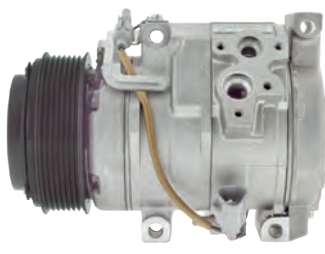
Toyota Prado LJ120, 5L-E Diesel, 06>

Model: 10S17C
Voltage: 12V
Pulley Type: 1A
Pulley Dia: 130mm
Body # 447260-6260
Clutch # 247300-1960

**CM1876**

Toyota Prado, GRJ150R, V6 4.0Lt, 09>

Model: 10S17C
Voltage: 12V
Pulley Type: 7PV
Pulley Dia: 110mm
Body # 447280-1022
Clutch # 247300-2731



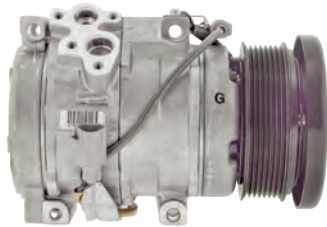
Dual A/C

88310-6A450

CM1877

Toyota Prado, KDJ150R, Turbo Diesel, 09>

Model: 10S17C
Voltage: 12V
Pulley Type: 7PV
Pulley Dia: 110mm
Body # 447280-1071
Clutch # 247300-7310



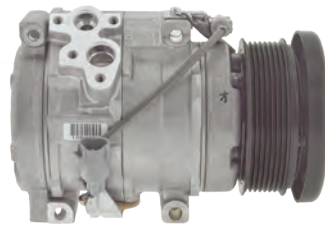
Single A/C

88310-6A390

CM1878

Toyota Prado, KDJ150R, Turbo Diesel, 09>

Model: 10S17C
Voltage: 12V
Pulley Type: 7PV
Pulley Dia: 110mm
Body # 447280-1081
Clutch # 247300-7310



Dual A/C

88310-6A470

CM1699

Toyota Prado KDJ120R, 3.0Lt Turbo Diesel 10/06>

Model: 10S17C
Voltage: 12V
Pulley Type: 7PV
Pulley Dia: 124mm
Body # 447220-5261
Clutch # 247300-1950

**CM1767**

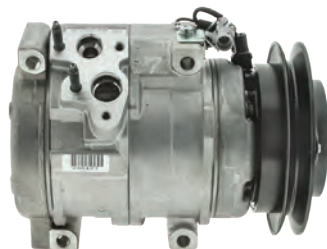
Toyota Prado GRJ120R, 1GR-FE, 4.0Lt V6 9/02>

Model: 10S17C
Voltage: 12V
Pulley Type: 7PV
Pulley Dia: 126mm
Body # 447220-5130
Clutch # 247300-1980

**CM1769**

Toyota Prado KZJ120R, 1KZ-FE, 9/02>

Model: 10S17C
Voltage: 12V
Pulley Type: 1A
Pulley Dia: 133mm
Body # 447220-5170
Clutch # 247300-1960

**CM1768**


Toyota Prado RZJ120R, 3RZ-FE, 9/02>

Model: 10S17C
Voltage: 12V
Pulley Type: 4PV
Pulley Dia: 120mm
Body # 447220-5190
Clutch # 247300-1940




CM1671
Toyota Prado KZJ95R, 3.0Lt Turbo Diesel
10/99-2/03

Model: 10PA17C
Voltage: 12V
Pulley Type: 1A
Pulley Dia: 140mm
Body # 447200-4550
Clutch # 447300-1810



CM1670
Toyota Prado RZJ95R, 5/96-5/02


Model: 10PA17C
Voltage: 12V
Pulley Type: 4PV
Pulley Dia: 126mm
Body # 447200-3710
Clutch # 447300-4120



CM1672
Toyota Prado VZJ95R, 3.4Lt V6, 7/96-2/03

Model: 10PA17C
Voltage: 12V
Pulley Type: 4PV
Pulley Dia: 135mm
Body # 447200-4490
Clutch # 447300-3560

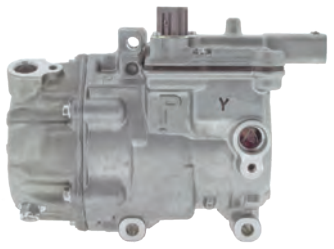
Jayair: CM1672J



CM5622
Toyota Prius, ZVW30R, 7/09>

Model: ES14C
Body # 042200-0212

88370-47030



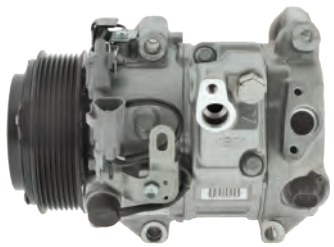
CM5620
Toyota Prius NHW20R, 11/03>

Model: ES18C
Body # 042000-0197



CM5832
Toyota Rav4 GSA33R, 3.5Lt V6, 10/07>

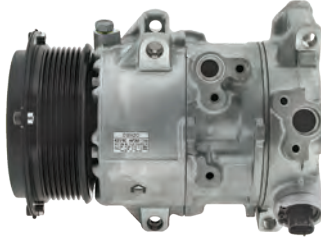
Model: 6SEU16C
Voltage: 12V
Pulley Type: 7PV
Pulley Dia: 115mm
Body # 447260-1019
Clutch # 247300-5280



CM1795
Toyota Rav4 ACA33R, 2A2-FE, 2/06>


Model: 6SEU16C
Voltage: 12V
Pulley Type: 7PV
Pulley Dia: 114mm
Body # 447260-1207
Clutch # 047420-1560

Jayair: CM1795J




CM1772
Toyota Rav4, 2.4Lt, 03>

Model: 10S15C
Voltage: 12V
Pulley Type: 7PV
Pulley Dia: 130mm
Body # 447220-3930
Clutch # 247300-1560



CM1738
Toyota Rav4 ACA20R, ACA21R, 5/00>

Model: 10S15C
Voltage: 12V
Pulley Type: 7PV
Pulley Dia: 135mm
Body # 447220-3934
Clutch # 447300-9500



CM1687
Toyota Rav4 SXA10R, SXA11R, 9/97-4/00

Model: 10PA15L
Voltage: 12V
Pulley Type: 5PV
Pulley Dia: 120mm
Body # 447200-1630
Clutch # 447300-6620

Jayair: CM1687J



CM1682

Toyota Rav4 SXA10R, 8/96-8/97

Model: 10P13C
Voltage: 12V
Pulley Type: 5PV
Pulley Dia: 154mm
Body # 447220-0260
Clutch # 447300-6700

**CM1653**

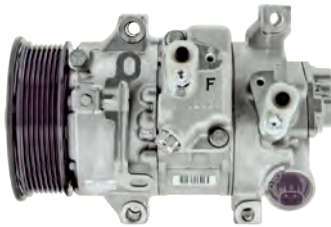
Toyota Rav4 SXA10R, SXA11R, 3/94-7/96

Model: 10P13C
Voltage: 12V
Pulley Type: 5PV
Pulley Dia: 154mm
Body # 447200-8130
Clutch # 447300-3430

**CM1890**

Toyota Rukus, AZE15R, 5/10>

Model: 6SEU14C
Voltage: 12V
Pulley Type: 7PV
Pulley Dia: 110mm
Body # 447260-1496
Clutch # 248300-1971



88310-1A730

CM1774

Toyota Soarer

Model: 10PA20C
Voltage: 12V
Pulley Type: 6PV
Pulley Dia: 130mm
Body # 147200-5320
Clutch # 147300-0050

**CM1775**

Toyota Soarer

Model: 10PA20C
Voltage: 12V
Pulley Type: 6PV
Pulley Dia: 130mm
Body # 147200-5330
Clutch # 147300-0050

**CM1645**

Toyota Spacia SR40, 8/93-6/97

Model: 10PA15C
Voltage: 12V
Pulley Type: 1A
Pulley Dia: 142mm
Body # 447200-0550
Clutch # 447300-2210

**CM1607**

Toyota Sprinter AE102, 2/94-7/99

Model: TV12C
Voltage: 12V
Pulley Type: 4PV
Pulley Dia: 155mm
Body # 442500-2630
Clutch # 447300-1000

**CM1615**

Toyota Starlet EP91R, 10/97-7/99

Model: SC08C
Voltage: 12V
Pulley Type: 4PV
Pulley Dia: 120mm
Body # 447260-7690
Clutch # 447300-6110



Power Steering

CM1616

Toyota Starlet EP91R, 10/97-7/99

Model: SC08C
Voltage: 12V
Pulley Type: 4PV
Pulley Dia: 120mm
Body # 447260-7480
Clutch # 447300-6110



Standard Steering

CM1716


Toyota Supra MA70, 4/86-7/88

Model: 10PA17C
Voltage: 12V
Pulley Type: 4PV
Pulley Dia: 121mm
Body # 147200-3824
Clutch # 047300-7871




CM1880
 Toyota Tarago ACR50R, 2.4Lt, 3/06>
 Toyota Tarago GSR50R, 3.5Lt, 2/07>

Model: 6SEU16C
Voltage: 12V
Pulley Type: 7PV
Pulley Dia: 114mm
Body # 447260-1148
Clutch # 248300-1390



CM1795
 Toyota Tarago ACR50R, 06>


Model: 6SEU16C
Voltage: 12V
Pulley Type: 7PV
Pulley Dia: 114mm
Body # 447260-1207
Clutch # 047420-1560



Jayair: CM1795J


CM1747
 Toyota Tarago ACR30R, 2/00-3/06

Model: 10S17C
Voltage: 12V
Pulley Type: 7PV
Pulley Dia: 120mm
Body # 447220-3890
Clutch # 447300-9270



CM1724
 Toyota Tarago CR21, 84>

Model: 10P15C
Voltage: 12V
Pulley Type: 4PV
Pulley Dia: 140mm
Body # 047200-3300
Clutch # 047300-2840




CM1723
 Toyota Tarago CR21, 83-86

Model: 10P15C
Voltage: 12V
Pulley Type: 1A
Pulley Dia: 125mm
Body # 047200-3300
Clutch # 047300-1880



CM5822
 Toyota Tarago GSR50R, V6, 2/07>


Model: 7SBH17C
Voltage: 12V
Pulley Type: 7PV
Pulley Dia: 115mm
Body # 447260-1157
Clutch # 247300-5280



88310-28600


CM1623
 Toyota Tarago TCR10, TCR11, 2TZ-FE, 8/93-5/00

Model: 10PA17E
Voltage: 12V
Pulley Type: 4PV
Pulley Dia: 115mm
Body # 447200-3520
Clutch # 447300-1470




CM1704
 Toyota Tarago TCR10, TCR11, 90-94

Model: 10PA17E
Voltage: 12V
Pulley Type: 4PV
Pulley Dia: 115mm
Body # 147200-4550
Clutch # 047300-8550




CM1726
 Toyota Tarago YR20, YR21, 1/83-10/88

Model: 10P15C
Voltage: 12V
Pulley Type: 1A
Pulley Dia: 143mm
Body # 047200-9090
Clutch # 047300-7350



CM1725
 Toyota Tarago YR20, YR21, YR31, 89>

Model: 10PA15C
Voltage: 12V
Pulley Type: 1A
Pulley Dia: 142mm
Body # 147200-5560
Clutch # 047300-7700



CM1678

Toyota Townace KR42, 10/96>

Model: 10PA15C
Voltage: 12V
Pulley Type: 1A
Pulley Dia: 143mm
Body # 447200-1320
Clutch # 447300-1170

**CM1645**

Toyota Townace YR39, 8/93-10/96

Model: 10PA15C
Voltage: 12V
Pulley Type: 1A
Pulley Dia: 142mm
Body # 447200-0550
Clutch # 447300-2210

**CM5823**

Toyota Yaris NCP130R, NCP131R, 1.3, 1.5Lt, 11/11>

Model: 5TSE10C
Voltage: 12V
Pulley Type: 4PV
Body # 447260-4201
Clutch # 248300-3071

**CM1794**

Toyota Yaris NCP90R, NCP91R, NCP93R, 1.3, 1.5Lt, 05>

Model: 5SER09C
Voltage: 12V
Pulley Type: 4PV
Pulley Dia: 110mm
Body # 447260-2331



Volkswagen

CM1221Volkswagen Beetle, 2.0Lt, 1/00-1/02
Volkswagen Golf IV, 1.6, 1.8Lt, 10/98-3/02

Model: SD7V16
Model # 1221
Voltage: 12V
Pulley Type: 6PV
Pulley Dia: 120mm
Head: VQL



Replaces: 1206

CM1233Volkswagen Beetle, 1.8Lt Turbo 11/99>
Volkswagen Bora, 1.6, 1.8Lt, 9/98>

Model: SD7V16
Model # 1278
Voltage: 12V
Pulley Type: 6PV
Pulley Dia: 120mm
Head: VQS



Replaces: 1079, 1233
Jayair: CM1233J

CM1221Volkswagen Beetle, 99-01
Volkswagen Bora, 99-01

Model: SD7V16
Model # 1221
Voltage: 12V
Pulley Type: 6PV
Pulley Dia: 120mm
Head: VQL



Replaces: 1206

CM8681

Volkswagen Caddy Turbo Diesel, 2/05>

Model: PXE16
Model # 4573
Voltage: 12V
Pulley Type: 6PV
Pulley Dia: 110mm



Replaces: 1601, 8681

CM5587

Volkswagen Caddy, 2/04>

Model: 7SEU16C
Voltage: 12V
Pulley Type: 6PV
Pulley Dia: 110mm
Body # 447260-1700
Clutch # 248300-2850



1K0820859 M
Jayair: CM5587J

CM1162
Volkswagen Caddy

Model: SD7V16
Model # 1162
Voltage: 12V
Pulley Type: 6PV
Pulley Dia: 120mm
Head: VQD



Replaces: 1100, 1170
Jayair: CM1162J

CM1145
Volkswagen Caravelle

Model: SD7V16
Model # 1145
Voltage: 12V
Pulley Type: 6PV
Pulley Dia: 128mm
Head: VQM



CM1167
Volkswagen Caravelle

Model: SD7V16
Model # 1167
Voltage: 12V
Pulley Type: 7PV
Pulley Dia: 120mm
Head: VQN



Replaces: 1146, 1179, 1214

CM1279
Volkswagen Caravelle

Model: SD7V16QS
Model # 1279
Voltage: 12V
Pulley Type: 6PV
Pulley Dia: 128mm
Head: VQS



Replaces: 1207, 1246

CM5492
Volkswagen Crafter, 06>

Model: 7SEU17C
Voltage: 12V
Pulley Type: 6PV
Pulley Dia: 110mm
Body # 447260-2090
Clutch # 248300-2850



CM8681
Volkswagen Golf V, 04>
Volkswagen Jetta, 2.0Lt Petrol, 07-08

Model: PXE16
Model # 4573
Voltage: 12V
Pulley Type: 6PV
Pulley Dia: 110mm
Head: EBA



Replaces: 1601, 8681

CM7159
Volkswagen Golf V

Model: DCS17E
Voltage: 12V
Pulley Type: 6PV
Pulley Dia: 140mm



1K0820803 L / N
Jayair: CM7159J

CM5587
Volkswagen Golf IV, V, 9/01>
Volkswagen Jetta, 1/05>

Model: 7SEU16C
Voltage: 12V
Pulley Type: 6PV
Pulley Dia: 110mm
Body # 447260-1700
Clutch # 248300-2850



1K0820859M
Jayair: CM5587J

CM1221
Volkswagen Golf V, 98-01

Model: SD7V16
Model # 1221
Voltage: 12V
Pulley Type: 6PV
Pulley Dia: 120mm
Head: VQL



Replaces: 1206

CM1138
Volkswagen Golf III, V6, 92-98

Model: SD7V16
Model # 1102
Voltage: 12V
Pulley Type: 7PV
Pulley Dia: 120mm
Head: VQR



CM1162
Volkswagen Golf

Model: SD7V16
Model # 1162
Voltage: 12V
Pulley Type: 6PV
Pulley Dia: 120mm
Head: VQD



Replaces: 1100, 1170
 Jayair: [CM1162J](#)

CM5825
Volkswagen Passat W8, 4.0Lt, 5/03-7/04

Model: 7SEU16C
Voltage: 12V
Pulley Type: 7PV
Pulley Dia: 110mm
Body # 447260-0470
Clutch # 248300-0070

**CM1162**
Volkswagen Passat

Model: SD7V16
Model # 1162
Voltage: 12V
Pulley Type: 6PV
Pulley Dia: 120mm
Head: VQD



Replaces: 1100, 1170
 Jayair: [CM1162J](#)

CM7159
Volkswagen Passat

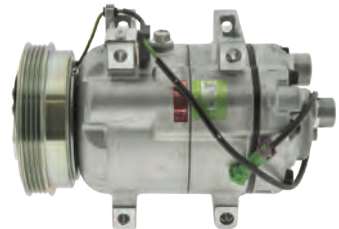
Model: DCS17E
Voltage: 12V
Pulley Type: 6PV
Pulley Dia: 140mm



1K0820803 L / N
 Jayair: [CM7159J](#)

CM5508
Volkswagen Passat

Model: DCW17D
Voltage: 12V
Pulley Type: 4PV
Pulley Dia: 130mm



8D0260805D

CM1454
Volkswagen Polo, 04

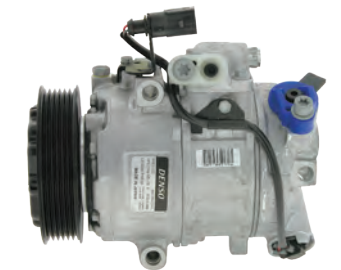
Model: SD6V12
Model # 1454
Voltage: 12V
Pulley Type: 6PV
Pulley Dia: 102mm
Head: VGA

**CM5615**
Volkswagen Polo, 1.4, 1.9Lt, 11/01>

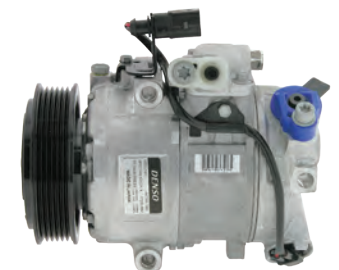
Model: 6SEU12C
Voltage: 12V
Pulley Type: 6PV
Pulley Dia: 110mm
Body # 447260-0770
Clutch # 447300-8820

**CM5616**
Volkswagen Polo, 1.2, 1.4Lt, 11/01>

Model: 6SEU12C
Voltage: 12V
Pulley Type: 6PV
Pulley Dia: 110mm
Body # 447260-2140
Clutch # 447300-8820

**CM5618**
Volkswagen Polo, 1.2, 1.4Lt, 11/01>

Model: 6SEU14C
Voltage: 12V
Pulley Type: 6PV
Pulley Dia: 110mm
Body # 447260-1960
Clutch # 248300-1910


**CM5617**
Volkswagen Polo, 1.2, 1.4, 1.9Lt, 11/01>

Model: 6SEU14C
Voltage: 12V
Pulley Type: 6PV
Pulley Dia: 110mm
Body # 447260-1950
Clutch # 248300-1910



CM1221
Volkswagen Polo, 00>

Model: SD7V16
Model # 1221
Voltage: 12V
Pulley Type: 6PV
Pulley Dia: 120mm
Head: VQL



Replaces: 1206

CM1162
Volkswagen Polo


Model: SD7V16
Model # 1162
Voltage: 12V
Pulley Type: 6PV
Pulley Dia: 120mm
Head: VQD



Replaces: 1100, 1170
Jayair: **CM1162J**


CM7158
Volkswagen Polo

Model: SD7B10
Model # 7158
Voltage: 12V
Pulley Type: 6PV
Pulley Dia: 100mm
Head: PD



CM5587
Volkswagen Tiguan, 1.4, 2.0Lt, 11/07>


Model: 7SEU16C
Voltage: 12V
Pulley Type: 6PV
Pulley Dia: 110mm
Body # 447260-1700
Clutch # 248300-2850



1K0820859M
Jayair: **CM5587J**


CM5670
Volkswagen Tiguan, 2.0Lt, 11/07>

Model: 6SEU14C
Voltage: 12V
Pulley Type: 6PV
Pulley Dia: 110mm
Body # 447260-2280
Clutch # 248300-2070




CM5613
Volkswagen Touareg, 3.6Lt V6, 06>

Model: 7SEU17C
Voltage: 12V
Pulley Type: 7PV
Pulley Dia: 110mm
Body # 447260-1670
Clutch # 248300-0070




CM5825
Volkswagen Touareg, 3.2Lt, 11/02-5/05

Model: 7SEU16C
Voltage: 12V
Pulley Type: 7PV
Pulley Dia: 110mm
Body # 447260-0470
Clutch # 248300-0070




CM5696
Volkswagen Touareg, 3.0Lt V6, 11/04>

Model: 7SEU17C
Voltage: 12V
Pulley Type: 6PV
Pulley Dia: 110mm
Body # 447260-2020
Clutch # 248300-2060




CM5690
Volkswagen Touareg, 3.0Lt TD, TDi, 11/04>

Model: 7SBU16C
Voltage: 12V
Pulley Type: 6PV
Pulley Dia: 126mm
Body # 447220-8260
Clutch # 447300-6000



CM5614
Volkswagen Touareg, 4.2Lt V8, 03>

Model: 7SEU16C
Voltage: 12V
Pulley Type: 7PV
Pulley Dia: 120mm
Body # 447260-2510
Clutch # 248300-0150



CM5592

Volkswagen Touareg, 2.5, 5.0Lt, TDi, 11/02>
Volkswagen Transporter T5, 2.5Lt, 5/03>

Model: 7SEU17C
Voltage: 12V
Pulley Type: Direct
Body # 447260-1610
Clutch # 248300-0210

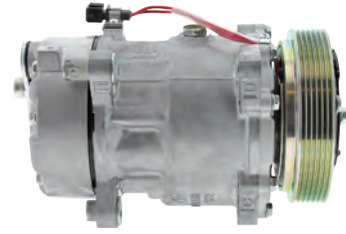


Jayair: CM5592J

CM1145

Volkswagen Transporter T4, 5 cyl, 96-02

Model: SD7V16
Model # 1145
Voltage: 12V
Pulley Type: 6PV
Pulley Dia: 128mm
Head: VQM



CM1167

Volkswagen Transporter T4, 2.0, 2.4, 2.5Lt

Model: SD7V16
Model # 1167
Voltage: 12V
Pulley Type: 7PV
Pulley Dia: 120mm
Head: VQN



Replaces: 1146, 1179, 1214

CM7986

Volkswagen Transporter, 2.0Lt, 94>

Model: SD7H15
Model # 7986
Voltage: 12V
Pulley Type: 6PV
Pulley Dia: 119mm
Head: US



CM1279

Volkswagen Transporter

Model: SD7V16QSS
Model # 1279
Voltage: 12V
Pulley Type: 6PV
Pulley Dia: 128mm
Head: VQS



Replaces: 1207, 1246



CM8003

Volvo 260

Model: GMA6
Voltage: 12V
Pulley Type: 1A
Pulley Dia: 134mm



New

CM8007

Volvo 260

Model: GMA6
Voltage: 12V
Pulley Type: 1A
Pulley Dia: 127mm



Remanufactured

CM5240

Volvo 740, 760

Model: DKS15CH
Voltage: 12V
Pulley Type: 2A
Pulley Dia: 135mm



CM5850

Volvo 850, C70, S70, V70, 97-00


Model: DKS15CH
Voltage: 12V
Pulley Type: 6PV
Pulley Dia: 119mm



9171344, 9166045
9171345, 9171446
Jayair: CM5850J

CM8379
Volvo 940, 94-98


Model: DKS15CH
Voltage: 12V
Pulley Type: 2A
Pulley Dia: 125mm



9463137

CM5960
Volvo 960, 11/91-2/97

Model: DKS15CH
Voltage: 12V
Pulley Type: 6PV
Pulley Dia: 119mm



9447842, 9447271

CM7865
Volvo Construction


Model: SD7H15
Model # 8099
Voltage: 12V
Pulley Type: 6PV
Pulley Dia: 119mm
Head: JDA

Replaces: 8032
Dust Cover



CM6324
Volvo FM12, FH12, 05>

Model: SD7H15
Model # 4324
Voltage: 24V
Pulley Type: 8PV
Pulley Dia: 176mm
Head: WV



CM5540
Volvo S40, V40


Model: DKS15CH
Voltage: 12V
Pulley Type: 6PV
Pulley Dia: 125mm



30612618

CM5525
Volvo S60, S80, V70, 99>

Model: DKS17CH
Voltage: 12V
Pulley Type: 6PV
Pulley Dia: 119mm



9166103

CM5853
Volvo S60, S80, V70, 98>


Model: DKS17D
Voltage: 12V
Pulley Type: 6PV
Pulley Dia: 123mm



8602278, 8684287
8602359

CM5242
Volvo SV40


Model: DKS15CH
Voltage: 12V
Pulley Type: 6PV
Pulley Dia: 120mm



30665343

CM9733
Volvo XC90


Model: DKS17D
Voltage: 12V
Pulley Type: 6PV
Pulley Dia: 123mm



506011-9733

CM9734
Volvo XC90, AWD, V8, 1/05>

Model: DCS17EC
Voltage: 12V
Pulley Type: 6PV
Pulley Dia: 110mm



30780691D

CM8897
Volvo Truck

Model: SD7H15
Model # 4896
Voltage: 12V
Pulley Type: 2A
Pulley Dia: 125mm
Head: JD



1104890

CM6312
Volvo Truck

Model: SD7H15
Model # 4326A
Voltage: 12V
Pulley Type: 8PV
Pulley Dia: 176mm
Head: WV

**CM8660**
Volvo Truck

Model: SD7H15
Model # 4660
Voltage: 12V
Pulley Type: 8PV
Pulley Dia: 119mm
Head: JDA



Replaces: U4711

CM8981
Volvo Truck

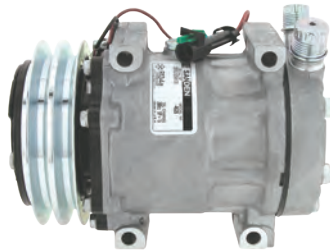
Model: SD7H15
Model # 4891A
Voltage: 12V
Pulley Type: 6PV
Pulley Dia: 125mm
Head: WV



Super Heavy Duty

CM4626
Volvo Truck

Model: SD7H15
Model # 4626
Voltage: 12V
Pulley Type: 2A
Pulley Dia: 132mm
Head: JD

**CM8890**
Volvo Truck

Model: SD7H15
Model # 4890
Voltage: 12V
Pulley Type: 2A
Pulley Dia: 132mm
Head: WV

Replaces: 4778
20370290, 85104593**CM8493**
Volvo Truck, 7Lt, 12Lt

Model: SD7H15
Model # 4892
Voltage: 12V
Pulley Type: 8PV
Pulley Dia: 130mm
Head: WV

Replaces: 4493, 4733
20501067**CM8045**
Volvo Truck (Construction), 99>

Model: SD7H15
Model # 8045
Voltage: 24V
Pulley Type: 2A
Pulley Dia: 132mm
Head: WZ

Replaces: 8243
Super Heavy Duty**CM8112**
Volvo Truck (Construction), FH12
Volvo Truck FM Series

Model: SD7H15
Model # 8112
Voltage: 24V
Pulley Type: 8PV
Pulley Dia: 132mm
Head: WZ

Replaces: 8044, 8140A, 8176, 8243
Dust Cover
No HPRV**CM7860**
Volvo Truck (Construction), L70

Model: SD7H15
Model # 7860
Voltage: 24V
Pulley Type: 2A
Pulley Dia: 132mm
Head: FZ



Heavy Duty


CM8069
Volvo Truck FH
Volvo Truck, A25C

Model: SD7H15
Model # 8069
Voltage: 24V
Pulley Type: 2A
Pulley Dia: 132mm
Head: FZ



CM8371
Volvo Truck FL10

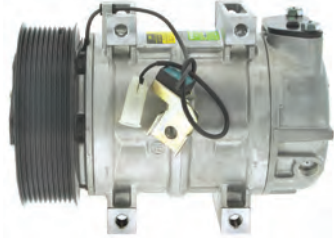
Model: DKS15CH
Voltage: 24V
Pulley Type: 2A
Pulley Dia: 125mm



3962042

CM8363
Volvo Truck FL7, FM7


Model: DKS15CH
Voltage: 24V
Pulley Type: 10PV
Pulley Dia: 132mm



3980379


CM8053
Volvo Truck, FH12, FH16

Model: SD7H15
Model # 8053
Voltage: 24V
Pulley Type: 2A
Pulley Dia: 132mm
Head: JE



CM8377
Volvo V50


Model: DKS17D
Voltage: 12V
Pulley Type: 10PV
Pulley Dia: 119mm



3M5H19D629MK
Jayair: CM8377J


CM5241
Volvo V70, 00>

Model: DKS15CH
Voltage: 12V
Pulley Type: 5PV
Pulley Dia: 140mm



CM6324
Volvo VH Series

Model: SD7H15
Model # 4324
Voltage: 24V
Pulley Type: 8PV
Pulley Dia: 176mm
Head: WV



CM5853
Volvo XC70 Cross Country

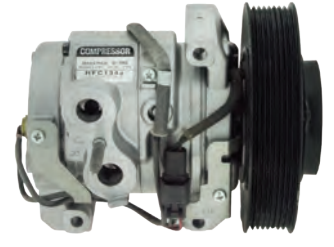
Model: DKS17D
Voltage: 12V
Pulley Type: 6PV
Pulley Dia: 123mm



8602359
8602278, 8684287
8602359

CM6577J
Western Star


Model: 10S15C
Voltage: 12V
Pulley Type: 8PV
Pulley Dia: 163mm
Body # 447280-1501
Clutch # 247300-7610



22-65771-000

CM8073
Western Star

Model: SD7H15SHD
Model # 4073
Voltage: 12V
Pulley Type: 8PV
Pulley Dia: 119mm
Head: WH



Replaces: U4073
Long Haul

CM8802
Western Star

Model: SD7H15SHD
Model # 4802
Voltage: 12V
Pulley Type: 8PV
Pulley Dia: 140mm
Head: NSS



Super Heavy Duty

CM8071
Western Star 08>

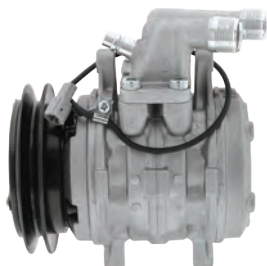
Model: SD7H15SHD
Model # 4071
Voltage: 12V
Pulley Type: 6PV
Pulley Dia: 125mm
Head: WH



Super Heavy Duty

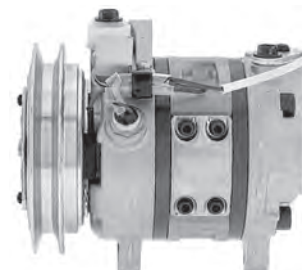
CM5350
Yanmar Excavator

Model: 10P08E
Voltage: 12V
Pulley Type: 1A
Pulley Dia: 122mm
Body # 447200-8153
Clutch # 447300-3401

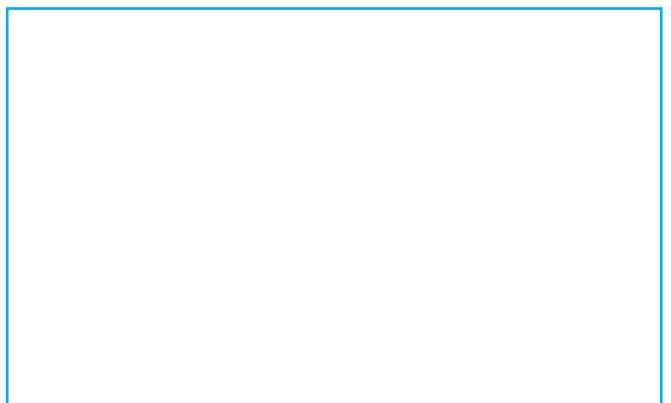
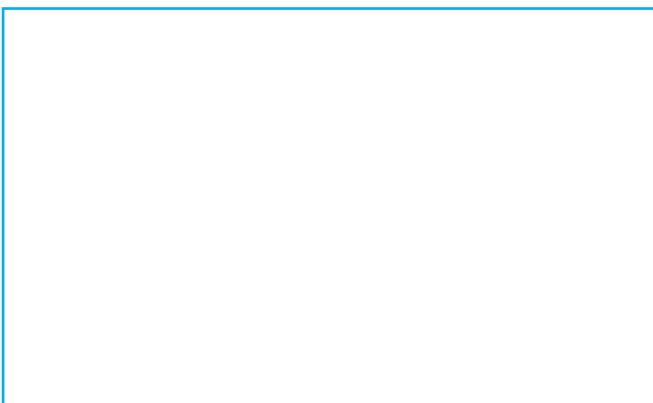
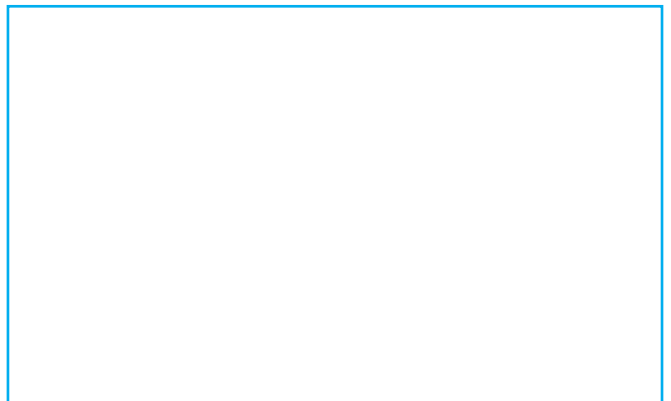
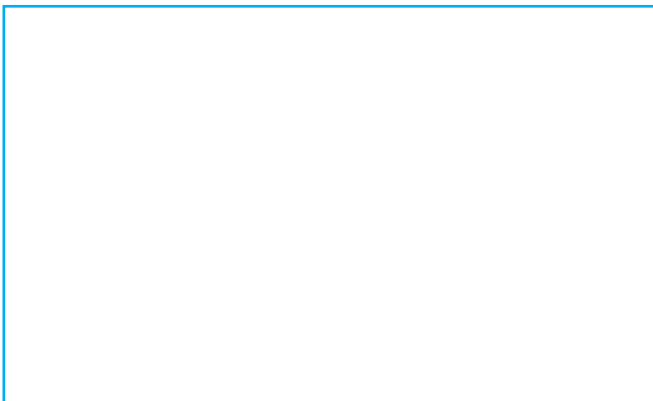
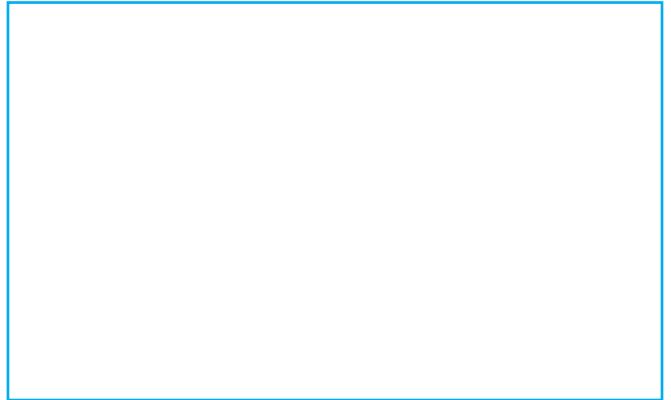
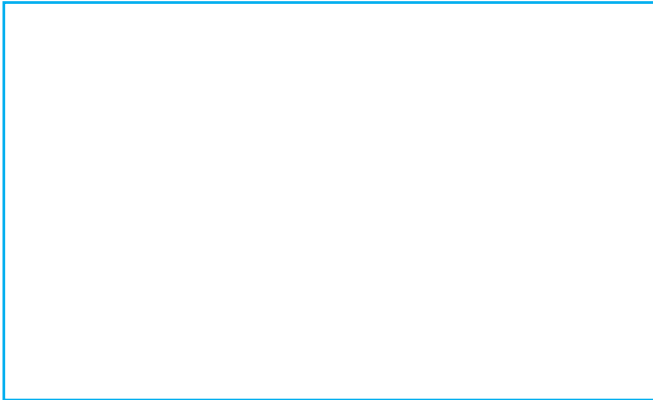
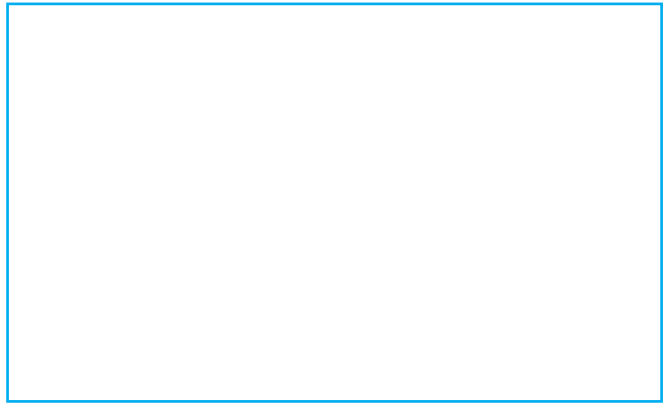


CM8324
Yanmar Tractor

Model: DKV07F
Voltage: 12V
Pulley Type: 1A
Pulley Dia: 115mm



DIRECT REPLACEMENT COMPRESSORS



Make & Model	Year	Part No.	Page No.	Make & Model	Year	Part No.	Page No.
Alfa Romeo				3 Series, E36	95>	CN3091	244
147, 2.0Lt 16 Valve	9/01>	CN5362	241	3 Series, E36	91-94	CN3090	244
156, 2.0Lt	2/01>	CN5354	241	3 Series, E36	90>	CN3093	244
156, 2.0Lt	>2/01	CN5353	241	3 Series, E36	90>	CN6501	244
156		CN5358	241	3 Series, E30	1/88-91	CN3007	245
159 JTD		CN5869	241	5 Series, F07, F10, 520D, 530D, 535D, 535i	6/10>	CN6574	245
159, Sportwagon		CN5869	241	5 Series, E60	04>	CN6524	245
Brera		CN5869	241	5 Series, E39	95>	CN6507	245
Giulietta	1/11>	CN5865	241	5 Series, E39	9/98>	CN6509	245
Spider		CN5869	241	5 Series, E28, 535i	82-88	CN3092	245
Spider, 2.0Lt		CN5220	241	5 Series, E28	82-88	CN3009	245
Audi				5 Series, E28	82-88	CN3009	245
100		CN5447	242	6 Series, E63		CN6524	245
80, 2.0, 2.6, 2.8Lt	92-96	CN4076	242	7 Series, F01, F02 730D, 740i	3/09>	CN6574	245
80, 2.0, 2.6, 2.8Lt	>92	CN4091	242	7 Series, E65, E66	1/02>	CN6524	245
A1	6/10>	CN5566	242	7 Series, E38	94-96	CN6536	245
A3	04>	CN5442	242	X1, E84	4/10>	CN6557	245
A3, S3	5/97>	CN5401	242	X3, F25, 2.0Lt Diesel	3/11>	CN6562	245
A4	6/07>	CN5538	242	X3, E83, Diesel	10/03-9/05	CN6535	246
A4, S4	01>	CN5430	242	X3, E83, Petrol	03>	CN6506	246
A4	01>	CN5252	242	X5M, E70	07-10	CN6561	246
A4, S4, 2.6Lt	11/94-7/97	CN4085	242	X5, E70	3/07>	CN6559	246
A4, S4		CN5441	243	X5, E53, Petrol & Diesel	5/00>	CN6534	246
A4		CN4090	243	X6, E71	7/08>	CN6559	246
A4		CN5254	243	Z3, Roadster	95>	CN3091	246
A4		CN5537	243	Z4	3/06>	CN6506	246
A5	6/07>	CN5538	243	Caterpillar			
A6 Cabriolet		CN5441	243	Caterpillar 322CL Excavator		CN6181	246
A6	04>	CN5483	243	Chrysler			
A6	01>	CN5430	242	300C	11/05>	CN6565	246
A6	98-01	CN4087	243	Neon	00>	CN5360	247
A6, 4.2Lt V8	98>	CN5458	243	Neon	97-99	CN5038	247
Cabriolet	92-00	CN4076	243	PT Cruiser	12/04>	CN5480	247
Q5	11/08>	CN5538	243	PT Cruiser	00>	CN5352	247
Q7	8/06>	CN6532	243	Sebring	07>	CN5479	247
TT, Coupe & Roadster	97>	CN5401	244	Voyager	10/04>	CN5359	247
BMW				Voyager	02>	CN5348	247
1 Series, E82, E87	3/07>	CN6557	244	Voyager	01-02	CN5361	247
3 Series, E90	6/05>	CN6523	244	Voyager	00>	CN5349	247
3 Series, E46	9/98>	CN6506	244				
3 Series, E36	98>	CN6511	244				

Make & Model	Year	Part No.	Page No.	Make & Model	Year	Part No.	Page No.
Citroen				Charade G200	2/93-98	CN5203	251
Berlingo I, Diesel	7/05>	CN5533	248	Charade G203	6/94-11/95	CN5203	251
Berlingo, 1.6, 1.9, 2.0Lt HDi	1/03>	CN5523	248	Charade G102	7/90-12/93	CN5417	251
Berlingo	7/96-11/02	CN5334	248	Charade G100	3/87-6/90	CN5404	251
C2	3/04>	CN5355	248	Cuore L701	00>	CN5232	251
C3	06>	CN5522	248	Delta	94>	CN5205	251
C3	12/02>	CN5355	248	Delta	94>	CN5470	251
C4	05>	CN5459	248	Feroza F300, F310	9/93-5/98	CN5206	252
C5	04>	CN5521	248	Feroza F300, F310	10/88-9/93	CN5213	252
C5	6/01-8/04	CN5519	248	Handivan L701	3/99>	CN5232	252
C6	06>	CN5521	248	Mira L200, 660cc	4/92-4/95	CN5405	252
Xsara, Diesel	7/05>	CN5533	248	Pyzar G301, G303	2/97-1/01	CN5204	252
Xsara	12/99>	CN5523	248	Sirion	11/04>	CN5805	252
Daewoo				Sirion, 1.0Lt	2/02>	CN5467	252
Cielo, 1.5Lt	95-98	CN5379	249	Sirion M100, 1.0Lt	98-2/02	CN5212	252
Cielo, 1.5Lt	7/94-10/95	CN5374	249	Sirion M100, 1.0Lt	98-2/02	CN5207	252
Espero	95-98	CN5379	249	Sirion M101, GTVi 1.3Lt	9/00>	CN5299	252
Espero	7/94-10/95	CN5374	249	Terios J102	5/99>	CN5208	253
Kalos	4/03-12/04	CN5612	249	Terios J100	7/97-5/99	CN5209	253
Kalos	4/03-12/04	CN5614	249	Dodge			
Lacetti	9/03-12/04	CN5613	249	Avenger	07>	CN5479	253
Lanos KA, KC, KD, KL	8/97-12/01	CN5387	249	Caliber	07>	CN5479	253
Leganza	97>	CN5386	249	Journey JC	9/08-1/12	CN6591	253
Matiz	1/02-12/04	CN5431	249	Nitro KA, 2.8Lt Turbo Diesel	6/07-6/10	CN6592	253
Matiz	10/99-12/01	CN5395	249	Ram 2500, 6 cyl, Turbo Diesel	06>	CN6595	253
Musso, 2.9Lt Diesel	7/98-12/02	CN1013	250	Fiat			
Musso, 3.2Lt Petrol	7/98-12/02	CN1010	250	500, 1.2Lt, 1.3Lt, 1.4Lt	3/08>	CN6351	253
Nubira	7/99-3/01	CN5606	250	Ducato	7/06>	CN6555	253
Nubira	97-6/99	CN5388	250	Punto	10/05>	CN5865	253
DAF				Ford			
DAF CF65, FA65, FA75, FAG75, FAR75	1/01>	CN0710	250	Capri SB, SC, SE	3/92-11/94	CN7020	254
Daihatsu				Corsair UA	10/89-10/92	CN5010	254
Applause A101	9/97-5/00	CN5403	250	Cougar	10/99-4/01	CN5391	254
Applause A101	10/93-9/97	CN5426	250	Courier	03>	CN7054	254
Applause A101	1/89-8/92	CN5370	250	Courier	03-11/06	CN7061	254
Charade	05>	CN5316	250	Courier	96-02	CN7024	254
Charade L251	03>	CN5468	251	Courier, 2.6Lt Petrol	91-93	CN7047	254
Charade Centro L500	3/95-10/96	CN5410	251	Courier	11/85-89	CN5215	254
Charade G203	3/93-12/95	CN5204	251	Econovan, 1.8, 2.0Lt	93-94	CN7032	254
Charade G202	3/93-10/93	CN5210	251				

Make & Model	Year	Part No.	Page No.	Make & Model	Year	Part No.	Page No.
Escape, 3.0Lt V6	2/01>	CN0006	255	Laser KH	11/93-10/94	CN7024	258
Explorer	02>	CN5802	255	Laser KF, KH	3/90-10/93	CN5020	258
Explorer UN, UP	10/96-8/99	CN0005	255	Laser KC, KE	10/85-3/90	CN1214	258
F250, F350	01-07	CN0007	255	Louisville HN80		CN5247	258
Fairlane BA, BF, 6 & 8 cyl	6/03-12/07	CN8004J	255	Maverick Y60	8/87-10/94	CN5325	258
Fairlane AU, 6 & 8 cyl	9/98-12/02	CN8002	255	Maverick Y60	8/87-10/94	CN5327	258
Fairlane NL	4/96-8/98	CN3034	256	Meteor GC	10/85-9/87	CN1214	258
Fairlane ZL	10/84-2/88	CN1081	256	Mondeo MA	10/07>	CN5485	259
Falcon FG, 2.0Lt Turbo 4 cyl	3/12>	CN8013	255	Mondeo	01>	CN5398	258
Falcon FG, 4.0Lt 6 cyl	11/11>	CN8012	255	Mondeo HC, HD	12/96-2/00	CN5391	258
Falcon FG, 6 & 8 cyl	5/08>	CN8009J	255	Mondeo HA, HB	7/95-11/96	CN5032	258
Falcon BA, BF, 6 & 8 cyl	9/02-7/11	CN8004J	255	Raider, 2.6Lt Petrol	93>	CN7024	259
Falcon BA, BF, XR6, XR8	9/02-4/08	CN8005J	255	Ranger		CN7061	259
Falcon AU, 6 & 8 cyl	9/98-9/02	CN8002	255	Ranger		CN5422	259
Falcon EL	4/96-8/98	CN3034	256	Taurus DP	1/97-9/98	CN0004	259
Falcon XH Ute	4/96-8/98	CN3034	256	Taurus DN	3/96-12/96	CN0003	259
Falcon EF, EL	10/95-8/96	CN3031	256	Telstar AX, AY	93-95	CN5375	259
Falcon EF, EL	10/95-8/96	CN9031	256	Telstar AX	12/91-93	CN5376	259
Falcon EF	8/94-10/95	CN3029	256	Telstar AT	10/87-12/91	CN1376	259
Falcon EF	8/94-10/95	CN9029	256	Telstar AT	10/87-12/91	CN5378	259
Falcon ED	8/93-9/94	CN9028	256	Telstar AR, AS	2/83-10/87	CN1021	260
Falcon EA, EB, EB2	2/88-8/93	CN9028	256	Territory SZ, 2.7Lt Turbo Diesel	5/11>	CN8011	260
Falcon XF	10/84-2/88	CN1081	256	Territory SX, SY, 4.0Lt 6 cyl	5/04-4/11	CN8006J	260
Falcon XG Ute, Van	8/93-8/96	CN1081	256	Trader	94>	CN7032	260
Festiva WF	4/98-4/01	CN5392	256	Transit VM	10/06>	CN5436	260
Festiva WB, WD, WF, 1.3, 1.5Lt	4/94-4/98	CN5383	256	Transit VH, 2.3Lt Petrol 2.0 & 2.4 Diesel	8/00>	CN5397	260
Festiva WB	4/94>	CN0023	256	Transit VG Diesel	95-00	CN5536	260
Fiesta	10>	CN5632	257	Freightliner			
Fiesta WS, WT, 1.6Lt TDCi	1/09>	CN5474	257	Freightliner Century		CN6977	260
Fiesta WP	4/04-1/06	CN7326	257	GMC			
Fiesta	1/04 >	CN5446	257	GMC		CN0709	261
Focus LS	5/05-6/07	CN7327	257	Great Wall			
Focus LR	9/02-4/05	CN7325	257	V240 K2, Turbo Diesel	09>	CN6570	261
GS, GT, GT-E, GT-P, Supecharged Miami	11/11>	CN8010	260	Hino			
Ka	11/99>	CN5594	257	Dutro		CN5806	261
Laser KN, KQ	3/99>	CN5390	257	FC3J, FD2J, FF1J, FM1J, FT1J, GD1J, GT1J	99	CN5169	261
Laser KJ, KL	12/96-3/99	CN5381	257	FD3H, FD3W, FE3H, FF3H, FT3W, GH3H, GT3H	93	CN5168	261
Laser KJ	10/94-12/96	CN5026	257	Truck		CN5804	261

Make & Model	Year	Part No.	Page No.	Make & Model	Year	Part No.	Page No.
Truck		CN5803	261	Commodore VT, VX	9/97-9/02	CN6317	265
Truck		CN5810	261	Commodore VU Ute	2/01-9/02	CN6317	265
Holden				Commodore VR, VS, 6 & 8 cyl	7/93-9/97	CN6315	265
Apollo JM, JP	3/93-5/97	CN5022	261	Commodore VN, VP, 5.0Lt V8	8/88-8/93	CN6310	265
Apollo JM, JP	3/93-5/97	CN5022D	262	Commodore VG Ute, 5.0Lt V8	8/88-8/93	CN6310	265
Apollo JK, JL	8/89-3/93	CN5021	262	Commodore VN, VP, 3.8Lt V6	8/88-8/93	CN6305	265
Astra AH, Diesel	6/06>	CN6336	262	Commodore VG Ute, 3.8Lt V6	8/88-8/93	CN6305	265
Astra AH, 2.0Lt Turbo	06>	CN6330	262	Commodore VN, V8	9/88-91	CN5310	265
Astra AH, 1.9Lt Turbo Diesel	06>	CN5525	262	Commodore VL, V8	10/86-8/88	CN5192	265
Astra AH	11/04>	CN6333	262	Commodore VK	84-86	CN1997	265
Astra AH	04>	CN6331	262	Commodore Late VB, VC, VH	78-84	CN1054	265
Astra TS Series II	02>	CN6321	262	Cruze JG, JH, 1.4Lt Diesel	09>	CN6554	266
Astra TS	9/98-11/01	CN6319	262	Cruze JG, JH, Petrol	09>	CN6553	266
Astra TR	9/96-9/98	CN5036	262	Cruze, YG	6/02-6/06	CN5435	266
Astra LD	7/87-8/89	CN1172	263	Epica, Diesel	10>	CN5626	266
Astra LC	2/86-6/87	CN1069	263	Epica	06>	CN5526	266
Barina TM	11/11>	CN5625	263	Frontera UES	99>	CN7040	266
Barina TK	09>	CN5617	263	Jackaroo UBS92, UBS98, Petrol & Diesel	4/92-04	CN7018	266
Barina TK	06>	CN5612	263	Jackaroo UBS92, Petrol & Diesel	4/92-1/98	CN7026	266
Barina XC	03>	CN6326	263	Jackaroo UBS87, Petrol & Diesel	3/87-4/92	CN7025	266
Barina XC	02-03	CN6322	263	Monaro CV6 & CV8	03>	CN6325	266
Barina XC	02-03	CN6335	263	Monaro CV6 & CV8	12/01-03	CN6317	267
Barina SB	4/94-2/01	CN6318	263	Nova LG	9/94-97	CN5094	267
Barina SB	4/94-2/01	CN7033	263	Nova LG	9/94-97	CN5094D	267
Barina MF, MH	1/89-3/94	CN5214	264	Nova LF	8/91-8/94	CN5093	267
Barina MF, MH	89-94	CN1381	264	Nova LE, LF	7/89-8/94	CN5092	267
Calibra YE	9/91-10/95	CN5037	264	Rodeo, Diesel	07>	CN7065	267
Camira JB	3/83-10/84	CN1105	264	Rodeo RA03, Diesel	3/03>	CN7046	267
Captiva CG, 2.2Lt Turbo Diesel	2/11>	CN5535	264	Rodeo RA03, Petrol	3/03>	CN7045	267
Captiva CG, 2.0Lt Turbo Diesel	3/07>	CN5532	264	Rodeo, 3.6Lt V6	03-09	CN7016	267
Captiva CG, 2.0Lt Turbo Diesel	3/07>	CN5530	264	Rodeo TF99	4/98>	CN7009	267
Captiva CG, 3.2Lt V6 Petrol	10/06>	CN5528	264	Rodeo TF97, TF99 Petrol & Diesel	4/98-8/01	CN7010	268
Combo XC	02-03	CN6322	263	Rodeo TF93, 97, 99 Petrol & Diesel	9/93-10/99	CN7026	268
Combo SB	2/96-01	CN7033	263	Rodeo TF88, 93 Petrol & Diesel	2/88-8/93	CN7027	268
Commodore VE, Series II (Late)	06>	CN6314J	264	Statesman WK	4/03>	CN6325	265
Commodore VE, 6 & 8 cyl	8/06>	CN6337J	264				
Commodore VZ	8/04-8/07	CN6329	265				
Commodore VY	10/02-8/04	CN6325	265				

Make & Model	Year	Part No.	Page No.	Make & Model	Year	Part No.	Page No.
Statesman WH	6/99-4/03	CN6317	265	CRV	2/07>	CN6530	271
Statesman VQ Series I & II, 5.0Lt V8	11/91-2/94	CN6310	265	CRV	02-04	CN5288	271
Statesman VQ Series II, 3.8Lt V6	11/91-2/94	CN6305	265	CRV	02-04	CN5288CG	271
Vectra ZC	3/03-12/06	CN6327	268	CRV	9/97-2/01	CN5271	271
Vectra JS II	8/99-11/02	CN5079	268	CRX EH	10/93-10/97	CN5268	272
Vectra JR, JS I	6/97-8/99	CN6316	268	CRX	10/93-10/97	CN5273	272
Viva	9/05-5/09	CN5613	268	CRX EG	10/91-10/93	CN5267	272
Zafira	06>	CN6330	268	CRX ED	11/88-10/91	CN5261	272
Zafira TT	02-5/06	CN6321	268	HRV Sports	10/99>	CN5308	272
Zafira TT	6/01-5/06	CN6319	268	HRV	1/99>	CN5274	272
Honda				Integra DC	11/01>	CN6323	272
Accord CP	08>	CN5514	269	Integra DC	6/93-11/01	CN5271	272
Accord, 6 cyl	10/97-03	CN5280	269	Integra DA	5/86-5/89	CN5262	272
Accord, 4 cyl	10/97-03	CN5279	269	Jazz GE	8/08>	CN6343	272
Accord CD	10/93-10/97	CN5275	269	Jazz	10/04-7/08	CN6328	273
Accord CA	10/85-10/89	CN5266	269	Jazz	10/04-7/08	CN6328CG	273
Accord SY	82-83	CN5265	269	Jazz	10/02-9/04	CN5226	273
Accord, 4 cyl		CN5259	269	MDX	03>	CN6547	273
Accord		CN5269	269	Odyssey	04>	CN5314	273
Accord Euro	3/08>	CN5510	269	Odyssey	04>	CN5314CG	273
Accord Euro	3/08>	CN5510CG	270	Odyssey	99-02	CN6546	273
Accord Euro, V6	03>	CN5260	270	Odyssey, 4 cyl	11/99>	CN5286	273
City	09>	CN5628	270	Odyssey	1/95-1/99	CN5285	273
Civic	08>	CN5508	270	Odyssey		CN6572	273
Civic, including Hybrid	06-07	CN5506	270	Prelude	01>	CN6323	274
Civic	05>	CN5501	270	Prelude BB	12/91-10/96	CN5270	274
Civic	05>	CN5501CG	270	Prelude B20A6	10/87-11/91	CN5263	274
Civic, Hybrid	3/04-1/06	CN5366	270	Prelude BA	1/86-9/87	CN5262	274
Civic, 5 Door	01-04	CN5367	270	S2000	8/99-7/09	CN6548	274
Civic ES, Sedan	10/00-03	CN5344	270	Hyundai			
Civic, Hatchback	00>	CN5365	271	Accent	06>	CN5531	274
Civic EK Sedan	10/95-10/00	CN5274	271	Accent	9/99>	CN5416	274
Civic EJ, EM, Coupe	3/99-11/00	CN5274	271	Accent	9/99>	CN5415	274
Civic	10/93-10/97	CN5273	271	Elantra	06>	CN5524	274
Civic EH	10/93-10/95	CN5268	271	Elantra Lavita	10/01>	CN5234	275
Civic EG	10/91-10/93	CN5267	271	Elantra XD	10/00>	CN5228	275
Civic ED	10/87-10/91	CN5261	271	Excel X3	8/94-9/99	CN5089	275
Concerto	10/91-10/93	CN5267	271	Excel X2	7/91-7/94	CN5097	275
Concerto MA, 1.5Lt	11/88-10/91	CN5261	271	Excel X2	6/89-7/91	CN5095	275
Concerto	91-93	CN5271	271	Excel X1	5/86-6/89	CN9510	275
				Getz	06-09	CN5619	275

Make & Model	Year	Part No.	Page No.	Make & Model	Year	Part No.	Page No.
Getz	9/02>	CN5610	275	Daily, Turbo Diesel	99>	CN0562	279
Grandeur	6/05>	CN5498	275	Eurocargo	00>	CN5684	279
Grandeur XG	7/99>	CN5137	275	Eurocargo, 7, 8, 110E, 130, 180		CN5482	279
i20, 1.4, 1.6Lt Petrol	10>	CN5694	276	Eurostar	02>	CN5237	279
i30	09>	CN5524	276	Truck MP4500		CN5235	279
i30, 1.6Lt Turbo Diesel	10/07>	CN9511	276	Jaguar			
i45	5/10>	CN5557	276	X Type, 2.0Lt	02-9/05>	CN6545	279
iLoad	08>	CN5624	276	X Type, 2.5, 3.0Lt	01>	CN6545	279
iMax	08>	CN5624	276	XF, XK	08>	CN6342	279
iX35, 2.0, 2.4Lt Petrol	10>	CN5552	276	XJ40, 4.0Lt 6 cyl	93-97	CN5246	280
iX35, 2.0Lt Diesel	10>	CN5556	276	XJ40, 3.6Lt 6 cyl	4/87-93	CN5240	280
Lantra J2 Facelift	5/98-6/00	CN5186	276	XJ6, Series III	86-3/87	CN5200	280
Lantra J2	5/95-5/98	CN5088	276	XJS, 4.0Lt	94-96	CN5453	280
Lantra	5/93-5/95	CN5099	276	XJS, HE	1/89-91	CN5241	280
S Coupe	6/91-7/92	CN5097	277	XK8, XKR, 4.0, 4.2Lt V8	96-1/01>	CN5542	280
S Coupe	3/90-6/91	CN5095	277	XR8		CN6338	280
Santa Fe	06>	CN5317	277	S Type	99-02	CN6338	280
Santa Fe, Diesel	10>	CN5429	277	JCB			
Santa Fe	11/00-10/03	CN5421	277	JCB Tractor 4CX		CN5256	280
Sonata NF	6/05>	CN5498	277	Jeep			
Sonata	1/05>	CN5481	277	Cherokee XJ	97-6/99	CN5418	280
Sonata EF, EF-B	5/98>	CN5137	277	Cherokee	94>	CN5380	281
Sonata	10/94-8/98	CN5041	277	Commander	06>	CN5460	281
Sonata, V6	3/91-7/93	CN5123	277	Compass	07>	CN5479	281
Sonata, 4 & 6 cyl	2/89-3/91	CN5096	278	Grand Cherokee WK	2/11>	CN5540	281
Trajjet	7/00>	CN5420	278	Grand Cherokee WH	06>	CN5460	281
Tucson	05>	CN5456	278	Grand Cherokee WJ, WG	7/99-5/05	CN5424	281
International				Grand Cherokee	4/96-98	CN5384	281
2000, 7000, 8000, 9000, 9200 Series		CN7000	278	Patriot	07>	CN5479	281
Isuzu				Wrangler	01>	CN5455	281
D-Max		CN7071	278	John Deere			
FSR, FTR	92-93	CN5024	278	6420, SE Series		CN1014	281
FVR	99>	CN7056	278	Kenworth			
NKR, 3.1 & 4.3Lt		CN7047	278	T400, T600, T600A, T2000	95-06	CN6957	281
NPR, 4.3Lt		CN7047	278	T600A		CN6930	282
NPS, 3.9 & 4.3Lt		CN7047	278	T600AR		CN6975	282
NPR	92-93	CN7032	278	T800		CN8100	282
NPR200		CN7062	279	W900L		CN6965	282
Iveco							
Daily	09>	CN0565	279				

Make & Model	Year	Part No.	Page No.	Make & Model	Year	Part No.	Page No.
Kia				IS300	1/99>	CN5219	286
Carens, 1.8Lt	4/00-12/01	CN5605	282	IS F, USE20R	10/08>	CN5568	286
Carnival	07>	CN5622	282	LS400	94-00	CN5505	286
Carnival	7/99-9/01	CN5604	282	LS400	8/92-10/94	CN5504	286
Cerato	09>	CN5524	282	LS400	12/89-8/92	CN5503	286
Cerato	7/04-09	CN5615	282	LS430	00>	CN5315	286
Credos	4/98-4/01	CN5607	283	RX330 MCU38R	4/03-1/06	CN5502	286
Mentor Series II	9/97-2/01	CN5603	283	RX350 GGL15R	2/09>	CN5549	286
Optima	5/10>	CN5557	283	RX350 GSU35R	2/06-1/09	CN5507	287
Optima	04>	CN5481	283	RX400H MHU38W	10/06-5/09	CN5681	287
Rio	9/11>	CN5551	283	RX450H GYL15R	6/09>	CN5511	287
Rio, SF	10/05>	CN5616	283	Mack			
Rio	05>	CN5457	283	CH	99>	CN4304	287
Rio	9/02>	CN5611	283	DM, MH, U		CN0560	287
Rio	5/00-9/02	CN5608	283	DM, MH, U		CN1660	287
Rondo, 2.4Lt	4/08>	CN5623	283	R Series		CN0150	287
Shuma	2/01>	CN5609	284	RL, RS		CN6900	287
Sorento	9/09>	CN5618	284	RW		CN8200	287
Sorento, 2.2Lt Diesel	9/09>	CN5686	284	Truck		CN4303	288
Sorento, 3.5Lt, V6 Petrol	10/03-06	CN5687	284	Truck		CN7708	288
Spectra	2/01>	CN5609	284	Truck	96>	CN0080	288
Sportage, SL, 2.0Lt Diesel	8/10>	CN5552	284	Mazda			
Sportage, SL, 2.0Lt, 2.4Lt Petrol	8/10>	CN5556	284	121 DW2		CND112	288
Sportage	05>	CN5456	284	121 Metro, DW	10/96-2/00	CND041	288
Sportage	7/97-99	CN5601	284	121 DB Bubble	94-98	CN0023	288
Komatsu				121 Early DB	91>	CN7036	288
WA120		CN6010	285	121 DB 103/105	90-91	CN5377	288
Land Rover				323 BJ Protege, Astina	8/98>	CN5390	289
Discovery	99>	CN5062	285	323 BA	3/96-8/98	CN5381	289
Discovery	4/94-10/98	CN5243	285	323 BA	7/94-3/96	CN5026	289
Freelander V6	01>	CN5083	285	323 Astina BA	6/94-9/98	CN5028	289
Freelander V6	01>	CN5469	285	323 Astina, 1.8Lt	>94	CN7024	289
Freelander	99-01	CN5244	285	323 BG, 1.6Lt	>94	CN7024	289
Freelander	99-01	CN5433	285	323 Astina BG	10/89-7/94	CN5020	289
Lexus				323 BF, BW	5/85-3/90	CN1214	290
ES300	5/97-7/01	CN5103	285	626 GF Sedan, GN Wagon	6/97-5/02	CN7035	290
ES300	5/97-7/01	CN5103D	285	626 GE	96-7/97	CN5382	290
GS300	98>	CN5238	286	626 GE	93-95	CN5375	290
IS200	1/99>	CN5219	286	626 GE	12/91-93	CN5376	290
IS250	12/05>	CN5534	286	626 GD	10/87-12/91	CN1376	290

Make & Model	Year	Part No.	Page No.	Make & Model	Year	Part No.	Page No.
626 GD	10/87-12/91	CN5378	290	A Class, A140, A160, A170, A190		CN6518	293
626	2/83-10/87	CN1021	290	B Class, W245, B180, B200	11/05>	CN6526	293
B Series	8/02>	CN7054	291	C Class, S204, W204	1/07>	CN6575	294
B Series, Petrol & Diesel	11/98-8/02	CN7024	291	C Class, W203, C180, C200, C230, C240, CL203	02>	CN6521	294
B Series	1/96-2/99	CN5406	291	C Class, W203, CLK Class W209	5/00>	CN6508	294
B Series	89-96	CN5439	291	C Class, W203	5/00>	CN6567	294
B Series	89-96	CN5440	291	C Class, W202, C180, C200, C240, C280, E320	1/94-5/00	CN6504	294
B Series	11/85-89	CN5215	291	C Class, W202, C220	94	CN6500	294
BT50	09>	CN5422	291	C Class, W202 C180, C200, C240, C280	93-00	CN4081	294
BT50	09>	CN7061	291	E Class, A207, C207, S212, W212	1/09>	CN6575	294
CX-7	11/06>	CN5486	291	E Class, W211, E220, E240, E320, E270 Diesel, E500	02>	CN6517	294
CX-9	12/07>	CN5488	291	E Class, W201, W210, 190	7/99-3/03	CN6519	294
CX-9	12/07>	CN5488CG	292	E Class, W210, E200, E240, E280, E300D, E320	96>	CN4079	294
E Series, Petrol & Diesel	93-95	CN7032	292	M140 Van		CN5516	295
Mazda 2, Series III	07>	CN5890	288	MB100		CN5516	295
Mazda 2, Series I & II	02>	CN5588	289	ML Class, W163 4WD	98>	CN6510	295
Mazda 3 BL	4/09>	CN5593	289	S Class, W220	96-06	CN6513	295
Mazda 3 BK	1/04-3/09	CN5591	289	Sprinter	07>	CN6401	295
Mazda 3 BK	1/04-3/09	CN5586	289	Sprinter, 901, 902, 903, 904	96>	CN6522	295
Mazda 6 GH	2/08>	CN5597	290	Vito	03>	CN6520	295
Mazda 6 GG	8/02-1/08	CN5584	290	Vito W639, 109CDi	9/03>	CN5472	295
MPV, LW10J2, 3.0Lt V6	3/02>	CN5054	292	Vito W638		CN5411	295
MPV, LW10G1, 2.5Lt	6/99-3/02	CN5339	292	Vito W638	2/96>	CN6505	295
MPV, LV10E2	12/95-6/99	CN5029	292	Vito W638, LH Rooftop		CN6516	295
MPV, LV10E1	8/93-4/96	CN5055	292	Vito W638, RH Rooftop		CN6515	296
MX5 NB	10/00-8/05	CND070	292	W123		CN3008	296
MX6	96-7/97	CN5382	292	W123, 230E, 230TE, 240D, 250, 280E, 280TE		CN4055	296
MX6	93-95	CN5375	292	W124		CN4084	296
MX6	12/91-93	CN5376	292	W124, 230E		CN4057	296
MX6	10/87-12/91	CN1376	290	W124, 230E, 230TE		CN4060	296
MX6	10/87-12/91	CN5378	290	W126, 300SE, 300SEL, 420SE, 560SEL		CN4066	296
Premacy	3/99>	CN5066	293				
RX8	7/03>	CN5587	293				
T Series, WH		CND117	293				
Tribute, 3.0Lt V6	2/01>	CN0006	293				
Mercedes Benz							
Actros	96>	CN0561	295				
A Class, W168	98>	CN6503	293				
A Class, W169, A150, A170, A180, A200	5/05-6/10	CN6526	293				

Make & Model	Year	Part No.	Page No.	Make & Model	Year	Part No.	Page No.
W126, 280SE		CN4063	296	Lancer CE Sedan, Coupe	5/96-12/98	CN5323	300
W126, 300SE, 300SEL, 420SE, 420SEL, 560SEL		CN4065	296	Lancer CC Hatch	4/92-4/96	CN5148	300
W126, 300SE, 300SEL, 420SE, 420SEL, 560SEL		CN4067	297	Lancer CA, CB	6/88-6/92	CN5148	300
W140, 300E, SE, SEL, 400SE, SEL, 500SE, SEL, 600SE, SEL	91-97	CN4077	297	Magna TL, TW	6/03-9/05	CN5515	300
W163, ML320	98-05	CN3096	297	Magna TJ	8/00-6/03	CN5513	300
W164, ML350	06>	CN3097	297	Magna TE, TF, TH, TJ	2/96-8/00	CN5512	300
W201, 190D		CN4072	297	Magna TS	3/94-3/96	CN5412	300
W201, 190E, 1.8, 2.3Lt		CN4071	297	Magna TS	3/94-3/96	CN5412D	300
W201, 190E	86-92	CN4070	297	Magna TR	7/91-3/94	CN5312	300
MG				Magna TR	7/91-3/94	CN5312D	300
MGF 1.8i Roadster	3/97-11/00	CN5126	297	Magna TN, TP	7/87-7/91	CN1312	300
ZT, ZTT	9/01>	CN5465	297	Magna TM	7/85-7/87	CN1193	301
Mini				Mirage CE	1/99-5/02	CN5151	301
Cooper S	08>	CN5476	298	Mirage CE	5/96-12/98	CN5323	301
Cooper R56	10/06>	CN5047	298	Nimbus UG	11/98>	CN7043	301
Cooper R50, R53	6/03>	CN5464	298	Nimbus UF	6/91-8/98	CN7020	301
Cooper R50	8/02>	CN5071	298	Nimbus UA, UB	85-87	CN1198	301
R55 Clubman		CN5047	298	Outlander	11/07>	CN5882	301
R57 Convertible		CN5047	298	Outlander	04>	CN6332	301
Mitsubishi				Pajero IO, QA	11/98-2/02	CN5177	301
380	10/05-4/08	CN5518	298	Pajero NS, 3.2Lt Diesel, 3.8Lt V6 Petrol	11/06-9/08	CN7068	301
Canter FE	03>	CN5253	298	Pajero NM, NP	5/00>	CN7041	302
Challenger		CN5236	298	Pajero NJ, NK, NL, 3.5Lt V6	7/93-5/00	CN5428	302
Colt RG	9/04>	CN7060	298	Pajero NJ, V6	93-96	CN7042	302
Grandis BA	5/04-5/10	CN7064	298	Pajero NJ, NK, NL, 2.8Lt Diesel	8/93>	CN5158	302
L300	6/94>	CN7047	299	Pajero NJ, NK, 3.0Lt V6	7/93-7/97	CN5150	302
L300 WA	6/94-6/95	CN7037	299	Pajero NJ, NK, 3.0Lt V6	7/93-7/97	CN5150D	302
L300 SF, SG, SH	8/86-6/94	CN1381	299	Pajero NH	2/91-8/93	CN7030	302
L300 SF-SH Starwagon	8/86-6/94	CN1054	299	Pajero NF, NG, Petrol	88-90	CN1054	302
L400 WA Starwagon	6/94-6/95	CN7039	299	Triton ML, Turbo Diesel	7/06>	CN7067	302
Lancer CJ	10/07>	CN5882	299	Triton ML	7/06>	CN7063	302
Lancer CH Sedan	8/03>	CN5881	299	Triton MK	7/02>	CN7052	303
Lancer CG Sedan	6/02-8/03	CN5578	299	Triton MK	6/01-6/02	CN7051	303
Lancer CE Sedan, Coupe	1/99-5/02	CN5151	299	Triton MK	6/96-5/01	CN3905	303
Lancer CE Wagon	7/96>	CN5149	299	Triton MJ	6/94-5/95	CN7033	303
Lancer CC Sedan, Wagon, Coupe	6/92-4/96	CN5149	299	Triton ME, MJ	3/86-6/94	CN1054	303
				Verada KL, KW	6/03-9/05	CN5515	300
				Verada KJ	8/00-6/03	CN5513	300

Make & Model	Year	Part No.	Page No.	Make & Model	Year	Part No.	Page No.
Verada KE, KF, KH, KJ	2/96-8/00	CN5512	300	Pulsar N15	2/97-6/00	CN5174	306
Verada KS	3/94-3/96	CN5412	300	Pulsar N15	8/95-11/97	CN5173	306
Verada KS	3/94-3/96	CN5412D	300	Pulsar N15	8/95-11/97	CN4702	306
Verada KR	7/91-3/94	CN5312	300	Pulsar N14	10/91-9/95	CN5172	306
Verada KR	7/91-3/94	CN5312D	300	Pulsar N13	5/87-9/91	CN1172	306
Nissan				Pulsar N12 Turbo	4/86-6/87	CN1311	307
200SX S14	>10/98	CN5049	303	Pulsar N12	83-87	CN1069	307
200SX S14	10/98-9/00	CN5059	303	Terrano II, R20 2.7Lt Tdi	3/97-6/00	CN5311	307
350Z	2/03>	CN5539	303	Tiida	2/06>	CN6542	307
Bluebird U13	7/93-3/97	CN5329	303	UD MK245	03>	CN0068	307
Bluebird, Series I & II		CN1138	304	X-Trail T31	10/07>	CN5590	307
Maxima J32	4/09>	CN5309	304	X-Trail T30	9/01-9/07	CN5577	307
Maxima J31	10/03>	CN5356	304	X-Trail T30	9/01-9/07	CN5579	307
Maxima CA33	10/99-10/03	CN5342	304	Peterbilt			
Maxima A32	6/96>	CN5332	304	Peterbilt		CN0580	307
Maxima A32	11/94-6/96	CN5335	304	Peugeot			
Maxima J30	2/90-10/94	CN5328	304	205	10/87-4/94	CN5320	308
Micra K13	10>	CN6392	304	206	4/99-8/03	CN5345	308
Micra	07>	CN6542	304	206	9/98-03	CN5462	308
Micra K11E	7/95-7/98	CN5324	304	207	06>	CN5522	308
Murano Z51, 3.5Lt	1/09>	CN5692	305	306 XR, XT	6/93-3/02	CN5334	308
Murano Z50, 3.5Lt	7/05-1/09	CN5368	305	306 XR, XT	6/93-4/97	CN4075	308
Navara D40	07>	CN5499	305	307 HDI	04>	CN5459	308
Navara D40	07>	CN5500	305	307	4/01>	CN5351	308
Navara D22	2/97>	CN5336	305	307		CN5473	308
Navara D22A, Petrol & Diesel	3/99>	CN5336	305	405 MK2	8/92-5/96	CN4073	308
Navara D21	10/87-7/94	CN7038	305	405 MK2	8/92-5/96	CN5322	309
Pathfinder R51	06>	CN5500	305	405	1/87-8/92	CN5321	309
Pathfinder R50	9/99>	CN5343	305	406, 4 cyl	6/00>	CN5357	309
Pathfinder R50	8/97-9/99	CN5338	305	406		CN5333	309
Pathfinder WD21	8/86-7/94	CN7038	305	406		CN5341	309
Patrol GU	10/04>	CN6549	305	407		CN5521	309
Patrol Y61, TY61 Ute	10/97-9/01	CN5346	305	607	6/00	CN5357	309
Patrol Y60	10/94>	CN5330	306	Porsche			
Patrol Y60 GQ	8/87-10/94	CN5325	306	911 Carrera		CN5517	309
Patrol Y60 GQ	8/87-10/94	CN5327	306	Boxster		CN5517	309
Pulsar N16 Sedan	6/03>	CN5583	306	Cayenne	8/06>	CN6532	309
Pulsar N16 Hatch	9/01>	CN5583	306	Proton			
Pulsar N16 Sedan	5/00-6/03	CN5576	306	Persona, 1.3Lt	95-00	CN5078	309
Pulsar N16 Hatch	4/01-9/01	CN5576	306	Persona, 1.5, 1.6Lt	95-00	CN5147	309

Make & Model	Year	Part No.	Page No.	Make & Model	Year	Part No.	Page No.
Satria, 1.3, 1.5Lt	95-00	CN5078	310	9000	91-95	CN5141	313
Satria, 1.6, 1.8Lt	95-00	CN5147	309	9000	85-8/91	CN5142	313
Wira, 1.5Lt	95-00	CN5078	310	9-3, 1.9Lt Tdi	9/04>	CN5658	313
Wira, 1.6Lt	95-00	CN5147	309	9-3, 1.8, 2.0Lt	02>	CN5448	313
Range Rover				9-3	98-03	CN5419	313
Range Rover	94>	CN5227	310	9-5	03>	CN5527	313
Range Rover	86-91	CN3150	310	9-5	7/97-03	CN5143	314
Range Rover Sport, 2.4Lt	06>	CN5135	310	Sanden			
Red Dot				Sanden Rooftop		CN5136	314
Red Dot, Grilldenser		CN1661	310	Scania			
Red Dot, Suits R-2110		CN0260	310	4 Series		CN6168	314
Red Dot, Suits R-6100, R-6160		CN0620	310	Truck, R Series	07>	CN6187	314
Red Dot, Suits R-6260		CN0630	310	Truck, 420, P, R & T Series	04-08	CN6188	314
Red Dot, Suits R-9720		CN0110	310	Seat			
Red Dot, Suits R-9725		CN0090	311	Cordoba	99>	CN5401	314
Red Dot, Suits R-9727		CN0350	311	Cordoba	1/95-10/99	CN5414	314
Red Dot, Suits R-9730		CN0800	311	Ibiza	1/95-10/99	CN5414	314
Red Dot, Suits R-9777		CN9777	311	Toledo	95-99	CN5432	314
Renault				Smart			
21		CN5277	311	Fortwo	1/07>	CN6590	315
Clio	9/05>	CN5595	311	Roadster	4/03>	CN6525	315
Clio 11, 1.4Lt, 2.0Lt	01>	CN5585	311	Ssangyong			
Clio	01>	CN5582	311	Korando, Diesel	98>	CN6527	315
Kangoo	04>	CN5582	311	Korando		CN6529	315
Kangoo, 1.5, 1.9Lt, Diesel Turbo	12/01>	CN5620	311	Musso, 3.2Lt Petrol	7/96-7/98	CN1010	315
Laguna II, 2.0, 3.0Lt	3/02-1/06	CN5682	312	Musso, 2.9Lt Diesel	7/96>	CN1013	315
Laguna		CN5255	312	Rexton		CN6528	315
Master	9/04>	CN5589	312	Sterling			
Megane	11/08>	CN5598	312	Sterling Truck		CN1330	315
Megane	03>	CN5287	312	Subaru			
Megane, Scenic	5/01>	CN5580	312	Forester	7/98>	CN7048	315
Megane, Scenic	01-03	CN5581	312	Forester	98>	CN6539	316
Traffic, Diesel	5/07>	CN5621	312	Forester	7/97-6/98	CN5138	316
Truck, Kerax Series	96>	CN0080	312	Impreza, WRX Wagon	08-09	CN6552	316
Rover				Impreza, WRX		CN5108	316
Rover 416i	5/86-10/89	CN5262	313	Impreza, WRX		CN5109	316
Rover 75	3/99>	CN5465	313	Impreza	06>	CN7049	316
Saab				Impreza G2	1/03>	CN7109	316
900	9/93-98	CN4078	313	Impreza G2	00-02	CN7110	316
9000	96-98	CN5385	313	Legacy	10/99>	CN5111	316
				Legacy	10/99>	CN5157	316

Make & Model	Year	Part No.	Page No.	Make & Model	Year	Part No.	Page No.
Legacy	9/94-1/97	CN6541	317	SX4	10>	CN6558	320
Leone	85>	CN5105	317	SX4	07-10	CN6556	320
Liberty MY10	10>	CN7085	317	Vitara, 4 cyl	99-00	CN5084	320
Liberty	3/02>	CN7044	317	Vitara, 1.6Lt 4 cyl, 5 door	5/95-8/96	CN5057	321
Liberty	00-04	CN6540	317	Vitara, 1.6Lt 4 cyl, 3 door	5/95-8/96	CN5034	321
Liberty	7/00-4/01	CN5425	317	Vitara	4/91-4/95	CN5048	321
Liberty B4	5/01-3/02	CN5425	317	Vitara	91>	CN5443	321
Liberty	10/99>	CN5111	317	Toyota			
Liberty	10/99>	CN5157	317	4 Runner	8/93-5/96	CN5161	321
Liberty	9/94-1/97	CN6541	317	4 Runner	8/91-7/93	CN5102	321
Liberty BD AWD	6/94-9/98	CN5107	317	4 Runner	8/91-7/93	CN5160	321
Liberty BC AWD	1/91-6/94	CN5106	318	Aurion GSV50R	4/12>	CN8040J	321
Outback	04>	CN7049	318	Aurion GSV40R, 3.5Lt V6	10/06>	CN8007	321
Outback	3/02>	CN7044	318	Aurion GSV40R, 3.5Lt V6	10/06>	CN8007CG	322
Outback	7/99>	CN5107	318	Avalon MCX10R	7/00-3/06	CN5139	322
Outback	7/99>	CN5111	318	Avensis Verso ACM20R	5/01>	CN5496	322
Outback	7/99>	CN5157	318	Camry ASV50R	4/12>	CN8040J	322
Outback	97-99	CN6544	318	Camry AHV40R, Hybrid	2/10>	CN5484	322
Suzuki				Camry ACV40R, 2.4Lt	7/06-1/12	CN8007	322
APV	05>	CN5475	318	Camry ACV40R, 2.4Lt	7/06-1/12	CN8007CG	322
APV	05>	CN5475CG	318	Camry ACV36R, MCV36R	9/02-6/06	CN5230	322
Baleno	4/95-2/99	CN5063	319	Camry SXV20, MCV20R	8/97-9/02	CN5103	322
Baleno	95-98	CN5058	319	Camry SXV20, MCV20R	8/97-9/02	CN5103D	322
Grand Vitara, 1.9Lt Turbo Diesel	1/08>	CN6551	319	Camry Wide Body SDV10, VDV10	11/92-7/97	CN5022	323
Grand Vitara, 1.6Lt 4 cyl	9/05>	CN6551	319	Camry Wide Body SDV10, VDV10	11/92-7/97	CN5022D	323
Grand Vitara, 2.7Lt V6	9/05>	CN6551	319	Camry SDV10, VDV10	11/92-7/97	CND013	323
Grand Vitara	99>	CN5068	319	Camry SV21, SV22	5/89-3/93	CN5021	323
Ignis	00>	CN5067	319	Camry SV11	11/85-4/87	CN5125	323
Jimny	03>	CN5490	319	Celica ZZT231R	8/02-3/06	CN5292	323
Jimny	98-00	CN5497	319	Celica ZZT231R	8/99>	CN5196	323
Sierra, 1.3Lt	2/96-12/98	CN5198	319	Celica ST204	9/95-11/99	CN5248	323
Sierra, 1.3Lt	2/94-1/96	CN5199	319	Celica ST204, 2.2Lt, ST205, 2.0Lt Turbo	11/93-8/95	CN5249	323
Swift FZ	2/11>	CN5543	319	Celica ST184, ST185	89-94	CN5592	323
Swift EZ	2/05-1/11	CN5304	320	Celica RA60	9/81-8/83	CN1195	324
Swift, Gti	6/94-9/95	CN5202	320	Celica SA63	10/83-8/84	CN1195	324
Swift, Gti, Cino	94>	CN5218	320				
Swift, 1.0, 1.3Lt, Gti	91-94	CN5211	320				
Swift, 1.0, 1.3Lt, Gti	91-94	CN5214	320				
Swift, 1.6Lt	89-91	CN5409	320				
Swift	8/85-89	CN5201	320				

Condensers - Application Guide



APPLICATION GUIDE CONDENSERS

Make & Model	Year	Part No.	Page No.	Make & Model	Year	Part No.	Page No.
Corolla ZRE152R	5/07>	CN5319	324	Hilux KUN16R, KUN26R, 3.0Lt Turbo Diesel	3/05>	CN5450	327
Corolla ZRE152R	5/07>	CN5319CG	324				
Corolla ZZE122R	10/01-6/04	CN5175	324	Hilux KUN16R, KUN26R, 3.0Lt Turbo Diesel	3/05>	CN5450CG	327
Corolla ZZE122R Hatch	8/04>	CN5239	324				
Corolla ZZE122R Hatch	8/04>	CN5239CG	324	Hilux GGN, TGN, Petrol 4 & 6 cyl	3/05>	CN5449	327
Corolla AE112	8/98-9/01	CN5152	324	Hilux VZN167R, 5VZ-FE 4 & 6 cyl	02>	CN5290	327
Corolla AE112	8/98-9/01	CN5152M	324	Hilux KZN165	8/00>	CN5224	327
Corolla AE101, AE102, 1.6Lt	9/94-12/99	CN5094	324	Hilux LN	8/97-7/99	CN5167	327
Corolla AE101, AE102, 1.6Lt	9/94-12/99	CN5094D	324	Hilux RZN149R	97-05	CND065	328
Corolla AE92, AE94, AE95, AE96	3/91-5/94	CN5093	325	Hilux RZN147R	97>	CN5167	327
Corolla AE90, AE92, AE93, AE96	6/89-7/93	CN5092	325	Hilux LN, RZN	8/97>	CN5181	327
Corolla AE86R	83-87	CN1191	325	Hilux LN, RZN	8/97-8/99	CN5129	327
Corolla AE80, AE82	3/85-6/89	CN1197	325	Hilux LN, RN, YN85	94-97	CN5166	327
Corona ST141, RT142	83-87	CN1195	325	Hilux V6	8/93-5/96	CN5161	328
Corona		CN1133	325	Hilux	8/91-7/93	CN5160	328
Cressida MX83	10/88-1/93	CN1199	325	Hilux RN85, 90, 105, 106, 110	10/88-12/93	CN5090	328
Dyna		CN5810	325	Hilux YN85	7/91-3/94	CN5090	328
Dyna		CN5806	325	Hilux Petrol & Diesel		CN5091	328
Dyna LY211	5/95-4/99	CN5171	325	Hilux		CND024	328
Dyna LY61	9/93-4/95	CN5171	325	Kluger GSU40R, GSU45R	8/07>	CN5493	328
Dyna YH81	9/93-9/94	CN5170	326	Kluger GSU40R, GSU45R	8/07>	CN5493CG	328
Echo NCP10R, NCP12R	8/02>	CN5291	326	Kluger MCU28	8/03-7/07	CN5495	328
Echo NCP10R, NCP12R	3/99-12/02	CN5251	326	Landcruiser 200 Series, UZJ200, VDJ200, GRJ200	11/07>	CN6040	328
FJ Cruiser GSJ15R	3/11>	CN5638	326	Landcruiser 200 Series, UZJ200, VDJ200, GRJ200	11/07>	CN6040CG	329
Hiace, TRH221R, TRH223R, KDH222R	3/05>	CN5258	326	Landcruiser VDJ76R, VDJ78R, VDJ79R, 4.5Lt V8 Turbo Diesel	3/07>	CN5463	329
Hiace, TRH221R, THR223R, KDH222R	3/05>	CN5258CG	326	Landcruiser HDJ100, Diesel	8/02>	CN5298	329
Hiace LH162R, LH172R, LH184R	8/98>	CN5164	326	Landcruiser UZJ100, 2UZ-FE, 4.7Lt V8	02>	CN5300	329
Hiace RZH103R, RZH113R, RZH125R	8/98>	CN5164	326	Landcruiser UZJ100, 2UZ-FE, 4.7Lt V8	02>	CN6048	329
Hiace RCH12 SBV	9/95>	CN5165	326	Landcruiser HDJ105, HZJ105, Diesel	98-02	CN5295	329
Hiace LH103R, LH113R, LH125R	8/95-7/98	CN5163	326	Landcruiser HDJ105, HZJ105, Diesel	98-02	CN6042	329
Hiace RZH103R, RZH113R, RZH125R	8/95-7/98	CN5163	326	Landcruiser FZJ105, Petrol	98-02	CN5295	329
Hiace LH103R, LH113R	8/93-7/95	CN5162	326	Landcruiser FZJ105, Petrol	98-02	CN6042	329
Hiace RZH125R	8/93-7/95	CN5162	326				
Hiace Commuter		CN5466	327				

Make & Model	Year	Part No.	Page No.	Make & Model	Year	Part No.	Page No.
Landcruiser HDJ78 Wagon, Diesel	8/99>	CN5293	329	Prado KZJ120R, 3.0Lt Turbo Diesel	3/03-8/04	CN5303	332
Landcruiser HDJ79 Pickup, Diesel	8/99>	CN5294	329	Prado RZJ120R, 2.7Lt 4 cyl Petrol	3/03-8/04	CN5303	332
Landcruiser FZJ78, HZJ78, Petrol & Diesel	8/99>	CN5072	329	Prado VZJ95, RZJ95, KZJ95	5/96-2/03	CN5191	332
Landcruiser FZJ75, HZJ75, Petrol & Diesel	1/95-7/99	CN5072	329	Prius ZVW30R	4/09>	CN5487	332
Landcruiser FZJ80, HDJ80, HZJ80, Petrol & Diesel	4/93>	CN5074	330	Prius ZVW30R	4/09>	CN5489	332
Landcruiser FZJ80, HZJ80	92-98	CND026	330	Prius NHW20R	05>	CN5492	332
Landcruiser FZJ75	92-93	CN5642	330	Rav4 GSA33R, 3.5Lt V6	10/07>	CN5363	332
Landcruiser HDJ80, HZJ80, Diesel	1/90-4/93	CN5075	330	Rav4 ACA33R, 2.4Lt 4 cyl	2/06>	CN5363	332
Landcruiser FJ80, FZJ80, Petrol	1/90-4/93	CN5075	330	Rav4 ACA33R	11/05>	CN5222	333
Landcruiser HJ60 Diesel	3/84-89	CN5040	330	Rav4 ACA33R	11/05>	CN5222CG	333
Landcruiser FJ60 Petrol	80-3/84	CN5080	330	Rav4, 2.4Lt	03>	CN5229	333
Landcruiser 40, 45 Series	80-84	CN5640	330	Rav4 ACA20R, ACA21R	5/00>	CN5144	333
Landcruiser HJ60 Diesel	80-90	CN5128	330	Rav4 SXA10R, SXA11R	3/94-4/00	CN5101	333
Landcruiser FJ70, FJ73, FJ75, HZJ75, Petrol & Diesel		CND027	330	Rukus AZE15R	5/10>	CN5565	333
Landcruiser FJ70, FJ73, FJ75, BJ70, HZJ75, Petrol & Diesel		CN5070	330	Spacia SR40	1/98>	CN5193	333
MR2 ZZW30R	10/00-3/06	CN5225	331	Spacia YR22	11/93-6/97	CN5194	333
MR2 SW20R	9/93-12/99	CN5183	331	Spacia YR22	8/93-6/97	CN5195	333
MR2 SW20R	3/90-8/93	CN5216	331	Sprinter AE86R	83	CN1191	333
Paseo EL54	12/97-7/99	CN5190	331	Starlet	1/96-6/98	CN5127	334
Paseo EL54	8/96-11/97	CN5189	331	Supra	96>	CN5434	334
Paseo EL54	8/95-7/96	CN5188	331	Tarago GSR50R, 3.5Lt V6	2/07>	CN5363	334
Paseo EL44	8/93-8/95	CN5187	331	Tarago ACR50R, 2.4Lt	3/06>	CN5363	334
Paseo EL44	8/92-7/93	CN5185	331	Tarago ACR50R, 2.4Lt	3/06>	CN5222	334
Paseo EL44	4/91-7/92	CN5184	331	Tarago ACR50R, 2.4Lt	3/06>	CN5222CG	334
Prado GRJ150R, 4.0Lt V6	11/09>	CN5477	331	Tarago ACR30	2/00>	CN5221	334
Prado KDJ150R, 3.0Lt Turbo Diesel	11/09>	CN5478	332	Tarago TCR10R, TCR11R	8/93-12/99	CN5180	334
Prado GRJ120R, 4.0Lt V6	8/04-10/09	CN5451	332	Tarago TCR10R, TCR11R	8/91-7/93	CN5179	334
Prado GRJ120R, 4.0Lt V6	3/03-8/04	CN5302	332	Tarago	1/86-8/88	CN5650	334
Prado KZJ120R, KDJ120R, 3.0Lt Turbo Diesel	8/04-10/09	CN5452	332	Townace KR42 SBV	10/96>	CN5130	334
				Townace YR39	8/93-6/96	CN5195	335
				Yaris, NCP130R, NCP131R	11/11>	CN5630	335
				Yaris, NCP90, NCP91, NCP93	11/05>	CN5454	335
				Yaris, NCP90, NCP91, NCP93	11/05>	CN5454CG	335

Make & Model	Year	Part No.	Page No.	Make & Model	Year	Part No.	Page No.
Volkswagen				850	10/92-9/96	CN4082	339
Amarok, 2.0Lt Diesel Turbo	2/11>	CN6402	335	940	4/91-3/96	CN5046	339
Beetle	1/00>	CN5399	335	940 Turbo	92>	CN5035	339
Beetle	1/00>	CN6568	335	960	11/94-3/98	CN5046	339
Bora	98>	CN5401	335	960	11/90-10/94	CN3530	339
Caddy 2KA, 2KB	2/03>	CN6531	335	C30	10/06>	CN5548	339
Caddy	95>	CN5414	336	C70, Convertible	3/06>	CN5548	339
Caravelle		CN4089	336	C70	8/89>	CN4083	339
Crafter	07>	CN6401	336	F10, F12	98	CN0703	339
Golf	04>	CN6568	336	FH12	93-97	CN0706	339
Golf IV, V, VI	04>	CN5442	336	FH12, FH16		CN0711	340
Golf Cabriolet	97>	CN5461	336	FL12	98>	CN0707	340
Golf	99>	CN5401	336	FL7, FL10	9/85>	CN0708	340
Golf III	94-98	CN5400	336	FL16	88>	CN0708	340
Lupo	98>	CN5413	336	FM420	98>	CN0704	340
Lupo	98>	CN5423	336	S40	1/04>	CN5548	340
Passat 3C, 1.8Lt	11/09>	CN5306	337	S40	97>	CN5313	340
Passat, 2.0, 3.2, 3.6Lt	7/05>	CN5306	337	S60	1/01>	CN5082	340
Passat	06-07	CN5318	337	S60		CN5100	340
Passat	2/01>	CN5252	337	S70	4/97-1/01	CN4083	341
Passat	97-01	CN5254	337	S80		CN5485	341
Passat	95-97	CN5402	337	S80	1/01>	CN5082	340
Polo, 6R	6/09>	CN5566	337	Truck FH12, FH16	98>	CN0705	340
Polo	02>	CN5444	337	Truck NH12, VN Series		CN0585	340
Polo	98>	CN5413	337	Truck NH12	96-02	CN0709	341
Polo	98>	CN5423	337	V40	97>	CN5313	341
Polo	95>	CN5414	337	V50	4/04>	CN5548	341
Tiguan, 2.0Lt	5/08>	CN5437	338	V50, V70		CN5545	341
Touareg	10/02>	CN6532	338	V70	1/01>	CN5082	341
Touran	2/03>	CN6531	338	V70	4/97-1/01	CN4083	341
Transporter T5	03>	CN6334	338	V70		CN5485	341
Transporter T4	97>	CN5182	338	XC70, XC80, XC90		CN5082	341
Transporter T3	1/84-8/97	CN4097	338	XC90		CN5364	341
Volvo				White			
240 Series		CN3525	338	White Truck	96-02	CN0709	341
740 Series	6/85-12/89	CN3531	338				
740	90>	CN5046	338				
760 Series	2/83-12/89	CN3531	338				
760	1/90-12/90	CN3530	339				
850	10/95-3/97	CN4083	339				



automotive air conditioning parts

J Series Condensers by Jayair



CN4512

(12V)

CN4524

(24V)

R-4500 Rooftop Condenser



Red Dot's largest capacity condenser, the R-4500 is a dual fan unit with the capacity needed for high performance and dual evaporator systems.

BTU's:
45,000
Air Flow:
2011 CFM (3517 m3/h)
Dimensions:
Width: 1080mm
Depth: 560mm
Height: 240mm
Weight: 38.6kg

Coil: CN0990
Cover Assy: SP0194

CN6162

(12V)

CN6164

(24V)

R-6160 Rooftop Condenser



A compact rugged rooftop condenser with a low profile for cabs with minimal roof space.

BTU's:
24,000
Air Flow:
740 CFM (1257 m3/h)
Dimensions:
Width: 643mm
Depth: 572mm
Height: 188mm
Weight: 10.5kg

Coil: CN0620
Motor: EM7175
Cover Assy: SP3882

CN6262

(12V)

CN6264

(24V)

R-6260 Rooftop Condenser



A dual fan, high capacity rooftop condenser with a low profile for cabs with minimal roof space

BTU's:
38,800
Air Flow:
970 CFM (1650 m3/h)
Dimensions:
Width: 700mm
Depth: 580mm
Height: 216mm
Weight: 14kg

Coil: CN0630
Bug Screen: SP0221
Cover Assy: SP6260

CN9722

(12V)

CN9723

(24V)

R-9720 Remote Mount Condenser



The R-9720 is the industry's most versatile and rugged remote mount condenser. Suitable for off road applications, commercial trucks and specialty vehicles where a radiator mount or rooftop condenser can not be used.



BTU's:
30,000
Air Flow:
775 CFM (1316 m3/h)
Dimensions:
Width: 686mm
Depth: 311mm
Height: 279mm
Weight: 16.8kg

Coil: CN0110
Fan Guard: EF3894
Press Switch: PS7050

CN4012

(12V)

CN4013

(24V)

R-9725 Remote Mount Condenser



The R-9725's dual fans provide the capacity to handle any Red Dot auxillary air conditioner. Can be mounted vertically or horizontally.



BTU's:
33,000
Air Flow:
900 CFM (1530 m3/h)
Dimensions:
Width: 651mm
Depth: 406mm
Height: 257mm
Weight: 18kg

Coil: CN0090
Motor: EM7175
Fan Blade: HF8080

CN9730

(12V)

CN9731

(24V)

R-9730 Remote Mount Condenser



A heavy duty condenser with the capacity to support dual evaporator systems used in punishing off road environments.



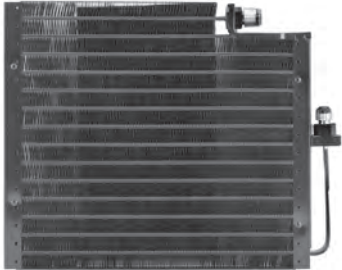
BTU's:
44,500
Air Flow:
1500 CFM (2550 m3/h)
Dimensions:
Width: 955mm
Depth: 259mm
Height: 387mm
Weight: 33.6kg

Fan Guard: SP0217
Press Switch: PS7010

CN7019
Universal Flare

Length: 405mm
Height: 352mm
Thickness: 22mm


Inlet: # 8 MF
Outlet: # 6 MF



CN1046
Universal Flare

Length: 508mm
Height: 305mm
Thickness: 22mm

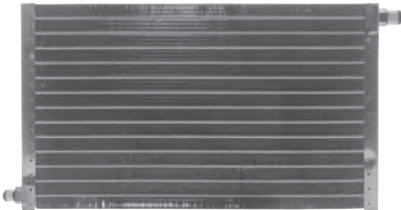
Inlet: # 8 MF
Outlet: # 6 MF



CN1117
Universal Flare

Length: 584mm
Height: 330mm
Thickness: 22mm

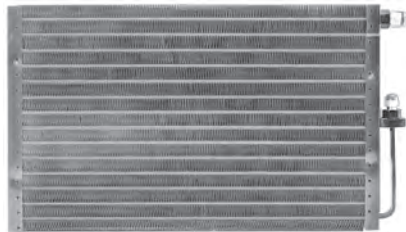
Inlet: # 8 MF
Outlet: # 6 MF



CN1054
Universal Flare

Length: 584mm
Height: 355mm
Thickness: 22mm


Inlet: # 8 MF
Outlet: # 6 MF



CN5017
Universal O'ring
High Performance
16mm Fin Height

Length: 500mm
Height: 355mm
Thickness: 22mm


Inlet: # 8 MIOR
Outlet: # 6 MIOR



CN5019
Universal O'ring
High Performance
16mm Fin Height

Length: 575mm
Height: 355mm
Thickness: 22mm

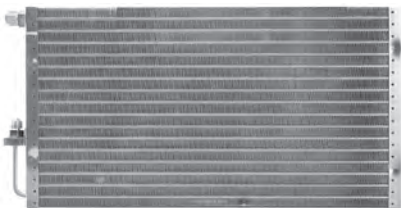
Inlet: # 8 MIOR
Outlet: # 6 MIOR



CN5076
Universal O'ring
High Performance
16mm Fin Height

Length: 675mm
Height: 355mm
Thickness: 22mm

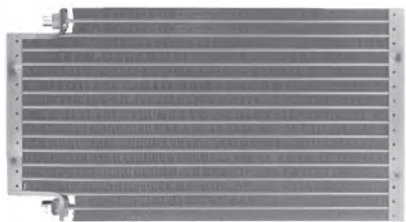
Inlet: # 8 MIOR
Outlet: # 6 MIOR



CN5001
Universal O'ring
Step Back

Length: 580mm
Height: 312mm
Thickness: 22mm

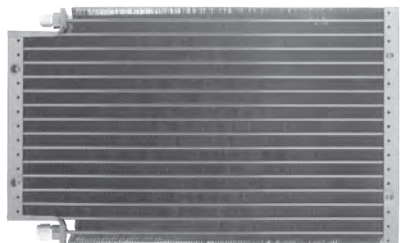
Inlet: # 8 MIOR
Outlet: # 6 MIOR



CN5004
Universal O'ring
Step Back

Length: 580mm
Height: 355mm
Thickness: 22mm

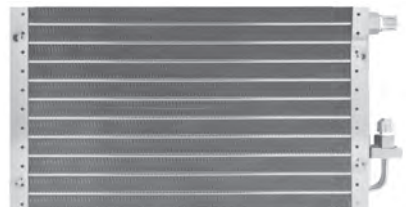
Inlet: # 8 MIOR
Outlet: # 6 MIOR



CN5051
Universal O'ring

Length: 457mm
Height: 254mm
Thickness: 22mm

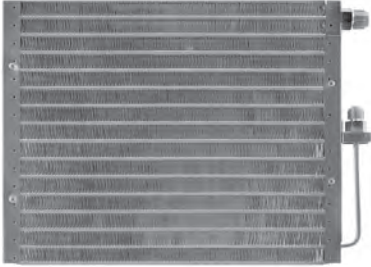
Inlet: # 8 MIOR
Outlet: # 6 MIOR



CN1058
Universal O'ring

Length: 457mm
Height: 355mm
Thickness: 22mm

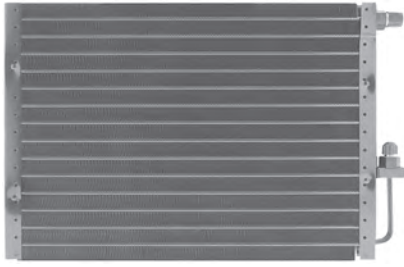
Inlet: # 8 MIOR
Outlet: # 6 MIOR



CN1379
Universal O'ring

Length: 508mm
Height: 355mm
Thickness: 22mm

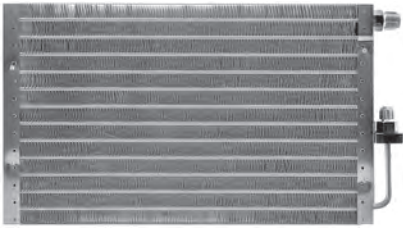
Inlet: # 8 MIOR
Outlet: # 6 MIOR



CN1381
Universal O'ring

Length: 508mm
Height: 305mm
Thickness: 22mm

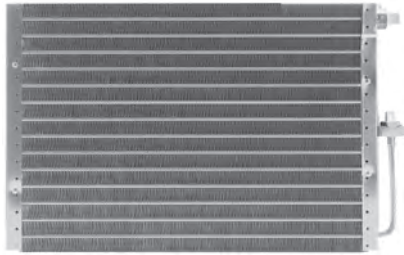
Inlet: # 8 MIOR
Outlet: # 6 MIOR



CN5372
Universal O'ring

Length: 533mm
Height: 355mm
Thickness: 22mm


Inlet: # 8 MIOR
Outlet: # 6 MIOR



CN1981
Universal O'ring

Length: 584mm
Height: 305mm
Thickness: 22mm

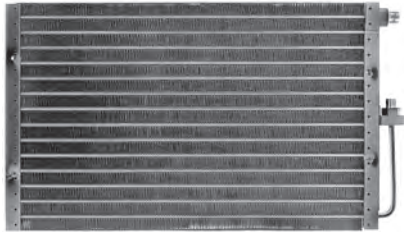
Inlet: # 8 MIOR
Outlet: # 6 MIOR



CN1997
Universal O'ring

Length: 584mm
Height: 355mm
Thickness: 22mm

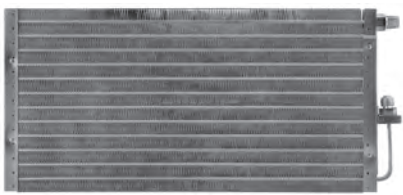
Inlet: # 8 MIOR
Outlet: # 6 MIOR



CN5981
Universal O'ring

Length: 635mm
Height: 305mm
Thickness: 22mm


Inlet: # 8 MIOR
Outlet: # 6 MIOR



CN5997
Universal O'ring

Length: 635mm
Height: 355mm
Thickness: 22mm

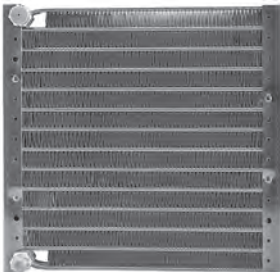
Inlet: # 8 MIOR
Outlet: # 6 MIOR



CN5033
Universal O'ring

Length: 337mm
Height: 317mm
Thickness: 32mm

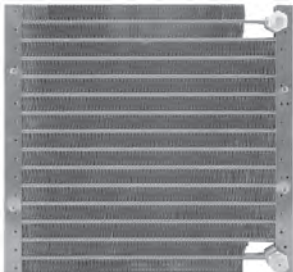
Inlet: # 8 MIOR
Outlet: # 6 MIOR



CN5024
Universal O'ring

Length: 378mm
Height: 355mm
Thickness: 32mm

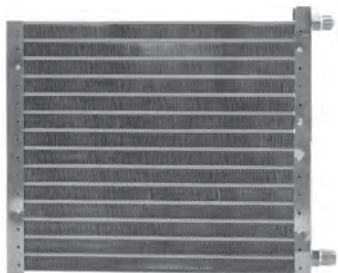
Inlet: # 8 MIOR
Outlet: # 6 MIOR



CN5077
Universal O'ring

Length: 410mm
Height: 355mm
Thickness: 32mm

Inlet: # 8 MIOR
Outlet: # 6 MIOR



CN1380
Universal O'ring

Length: 493mm
Height: 288mm
Thickness: 25mm

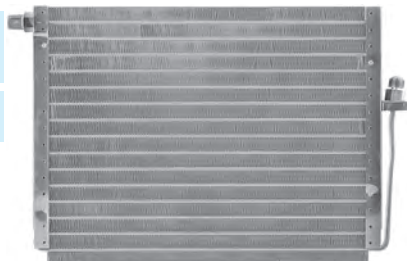
Inlet: # 8 MIOR
Outlet: # 6 MIOR



CN5023
Universal O'ring

Length: 510mm
Height: 380mm
Thickness: 22mm

Inlet: # 8 MIOR
Outlet: # 6 MIOR



CN3143
Universal O'ring

Length: 635mm
Height: 635mm
Thickness: 45mm

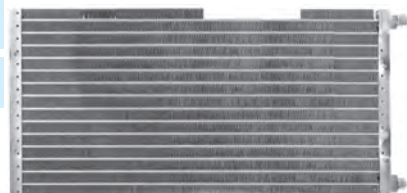
Inlet: # 8 MIOR
Outlet: # 6 MIOR



CN5081
Universal O'ring

Length: 723mm
Height: 354mm
Thickness: 25mm

Inlet: # 8 MIOR
Outlet: # 6 MIOR



CN6299
Universal O'ring
Murray Multiflow

Length: 450mm
Height: 355mm
Thickness: 16mm

Inlet: # 8 MIOR
Outlet: # 6 MIOR



CN6287
Universal O'ring
Murray Multiflow

Length: 450mm
Height: 355mm
Thickness: 22mm

Inlet: # 8 MIOR
Outlet: # 6 MIOR



CN6289
Universal O'ring
Murray Multiflow

Length: 525mm
Height: 305mm
Thickness: 22mm

Inlet: # 8 MIOR
Outlet: # 6 MIOR



CN6297
Universal O'ring
Murray Multiflow

Length: 525mm
Height: 355mm
Thickness: 16mm

Inlet: # 8 MIOR
Outlet: # 6 MIOR



CN6286
Universal O'ring
Murray Multiflow

Length: 525mm
Height: 355mm
Thickness: 22mm


Inlet: # 8 MIOR
Outlet: # 6 MIOR



CN6288
Universal O'ring
Murray Multiflow

Length: 575mm
Height: 305mm
Thickness: 22mm


Inlet: # 8 MIOR
Outlet: # 6 MIOR



CN6295
Universal O'ring
Murray Multiflow

Length: 575mm
Height: 355mm
Thickness: 16mm

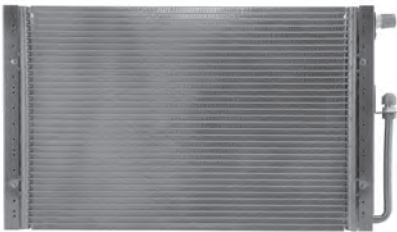
Inlet: # 8 MIOR
Outlet: # 6 MIOR



CN6285
Universal O'ring
Murray Multiflow

Length: 575mm
Height: 355mm
Thickness: 22mm


Inlet: # 8 MIOR
Outlet: # 6 MIOR



CN6292
Universal O'ring
Murray Multiflow

Length: 600mm
Height: 406mm
Thickness: 16mm


Inlet: # 8 MIOR
Outlet: # 6 MIOR



CN6294
Universal O'ring
Murray Multiflow

Length: 630mm
Height: 305mm
Thickness: 16mm


Inlet: # 8 MIOR
Outlet: # 6 MIOR



CN6293
Universal O'ring
Murray Multiflow

Length: 630mm
Height: 355mm
Thickness: 16mm


Inlet: # 8 MIOR
Outlet: # 6 MIOR



CN6199
Universal O'ring
Sanden Multiflow

Length: 450mm
Height: 355mm
Thickness: 16mm


Inlet: # 8 MIOR
Outlet: # 6 MIOR



CN6170
Universal O'ring
Sanden Multiflow

Length: 525mm
Height: 305mm
Thickness: 24mm


Inlet: # 8 MIOR
Outlet: # 6 MIOR



CN6198
Universal O'ring
Sanden Multiflow

Length: 575mm
Height: 305mm
Thickness: 16mm


Inlet: # 8 MIOR
Outlet: # 6 MIOR



CN6997
Universal O'ring
Sanden Multiflow

Length: 575mm
Height: 355mm
Thickness: 16mm

Inlet: # 8 MIOR
Outlet: # 6 MIOR





CN6197
Universal O'ring
Sanden Multiflow

Length: 675mm
Height: 355mm
Thickness: 16mm

Inlet: # 8 MIOR
Outlet: # 6 MIOR



CND048
Universal Pad Fitting

Length: 375mm
Height: 350mm
Thickness: 32mm

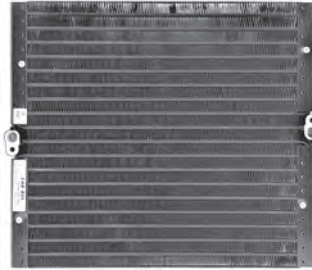
Inlet: Pad
Outlet: Pad



CND033
Universal Pad Fitting

Length: 452mm
Height: 396mm
Thickness: 22mm

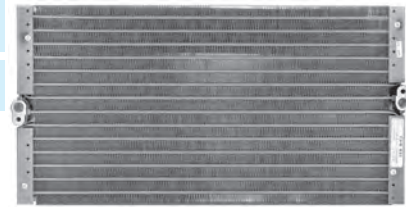
Inlet: Pad
Outlet: Pad



CND021
Universal Pad Fitting

Length: 598mm
Height: 312mm
Thickness: 22mm

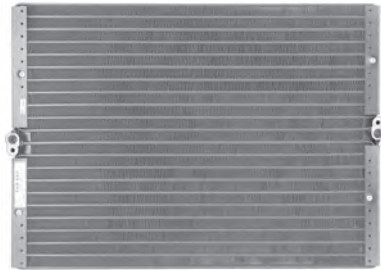
Inlet: Pad
Outlet: Pad



CND046
Universal Pad Fitting

Length: 600mm
Height: 445mm
Thickness: 22mm

Inlet: Pad
Outlet: Pad



CND073
Universal Pad Fitting

Length: 607mm
Height: 370mm
Thickness: 22mm

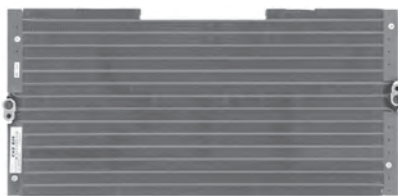
Inlet: Pad
Outlet: Pad



CND034
Universal Pad Fitting

Length: 650mm
Height: 312mm
Thickness: 22mm

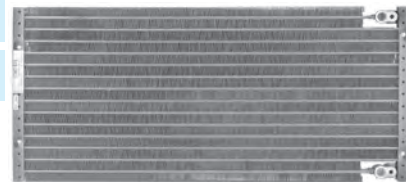
Inlet: Pad
Outlet: Pad



CND025
Universal Pad Fitting

Length: 704mm
Height: 312mm
Thickness: 22mm

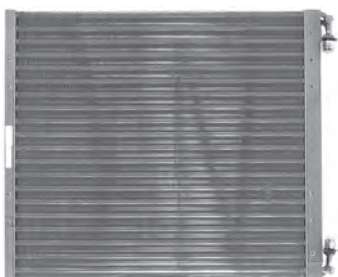
Inlet: Pad
Outlet: Pad



CN3142
Universal Tube & Fin

Length: 610mm
Height: 533mm
Thickness: 45mm

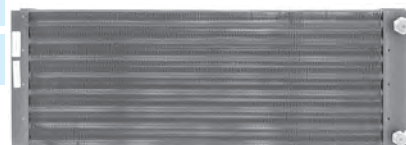
Inlet: # 8 MIOR
Outlet: # 6 MIOR



CN3015
Universal Tube & Fin

Length: 601mm
Height: 204mm
Thickness: 63mm


Inlet: # 8 MF
Outlet: # 6 MF



CN3170
Universal Tube & Fin

Length: 470mm
Height: 457mm
Thickness: 56mm


Inlet: # 8 MIOR
Outlet: # 6 MIOR



CN3250
Universal Tube & Fin
5 Row

Length: 681mm
Height: 180mm
Thickness: 74mm

Inlet: # 8 MIOR
Outlet: # 6 MIOR

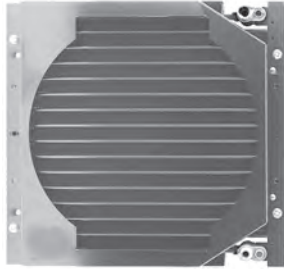


CNA105
Condenser & Shroud Assembly

Length: 379mm
Height: 354mm
Thickness: 44mm

Inlet: Pad
Outlet: Pad

12V Fan: EF0023
24V Fan: EF0028




CNA106
Condenser & Shroud Assembly

Length: 725mm
Height: 314mm
Thickness: 44mm

Inlet: Pad
Outlet: Pad

12V Fan: EF0023
24V Fan: EF0028




CNA084
Condenser & Shroud Assembly

Length: 725mm
Height: 314mm
Thickness: 32mm

Inlet: Pad
Outlet: Pad

12V Fan: EF0023
24V Fan: EF0028




CNA115
Condenser & Shroud Assembly

Length: 770mm
Height: 362mm
Thickness: 44mm

Inlet: Pad
Outlet: Pad

12V Fan: EFFA70
24V Fan: EFFA71




CN3145
Condenser & Shroud Assembly
Tube & Fin
3 Row, 3/8" Tube

Length: 732mm
Height: 320mm
Thickness: 50mm

Inlet: # 8 MIOR
Outlet: # 6 MIOR

12V Fan: EFFA02
24V Fan: EFFA06

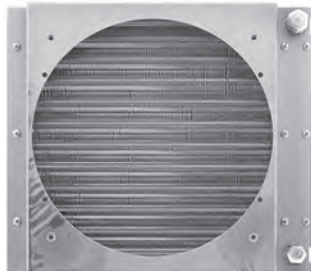


CN3160
Condenser & Shroud Assembly
Tube & Fin

Length: 350mm
Height: 312mm
Thickness: 43mm

Inlet: # 8 MIOR
Outlet: # 6 MIOR

12V Fan: EFFA02
24V Fan: EFFA06

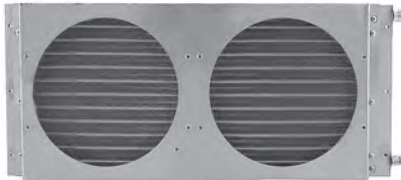


CN3245
Condenser & Shroud Assembly
Tube & Fin
6 Row, 5/16" Tube

Length: 732mm
Height: 320mm
Thickness: 75mm

Inlet: # 8 MIOR
Outlet: # 6 MIOR

12V Fan: EF9101
24V Fan: EF9108

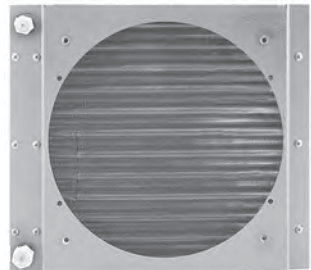


CN3260
Condenser & Shroud Assembly
Tube & Fin

Length: 283mm
Height: 310mm
Thickness: 75mm

Inlet: # 8 MIOR
Outlet: # 6 MIOR

12V Fan: EFFA02
24V Fan: EFFA06





Alfa Romeo

CN5362
Alfa Romeo 147, 2.0Lt 16 Valve, 9/01>

Length: 608mm
Height: 342mm
Thickness: 16mm

Inlet: Pad
Outlet: Pad

CA1241
867656L



CN5869
Alfa Romeo 159 JTD, 06-08
Alfa Romeo 159, Sportwagon
Alfa Romeo Brera

Length: 645mm
Height: 425mm
Thickness: 16mm

Inlet: Pad
Outlet: Pad

60694767
60698005
50507287
50507288

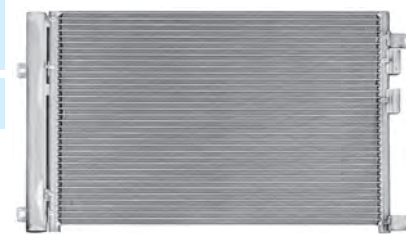


CN5354
Alfa Romeo 156, 2.0Lt, 2/01>

Length: 560mm
Height: 360mm
Thickness: 16mm

Inlet: Pad
Outlet: Pad

60679629



CN5353
Alfa Romeo 156, 2.0Lt, >2/01

Length: 572mm
Height: 360mm
Thickness: 16mm

Inlet: Pad
Outlet: Pad

60628820



CN5358
Alfa Romeo 156

Length: 532mm
Height: 398mm
Thickness: 16mm

Inlet: Pad
Outlet: Pad

60657491



CN5865
Alfa Romeo Giulietta, 1/11>

Length: 601mm
Height: 341mm
Thickness: 16mm

Inlet: Pad
Outlet: Pad

55700406



CN5869
Alfa Romeo Spider

Length: 645mm
Height: 425mm
Thickness: 16mm

Inlet: Pad
Outlet: Pad

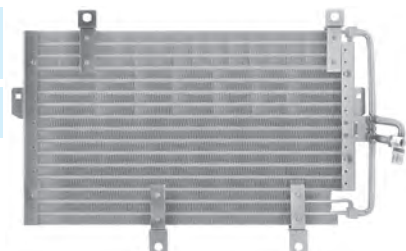
60694767
60698005
50507287
50507288



CN5220
Alfa Romeo Spider, 2.0Lt

Length: 577mm
Height: 336mm
Thickness: 32mm

Inlet: M18 x 1.5 MIOR
Outlet: M18 x 1.5 MIOR




Audi

CN5447
Audi 100

Length: 590mm
Height: 380mm
Thickness: 16mm

Inlet: # 10 MIOR
Outlet: # 8 MIOR

RD0081
4A0260401AB




CN4076
Audi 80, 2.0, 2.6, 2.8Lt, 92-96

Length: 658mm
Height: 342mm
Thickness: 21mm

Inlet: M24 x 1.5 MIOR
Outlet: M18 x 1.5 MIOR

RD0080
R134a Fitting Profile
8A0260403AA




CN4091
Audi 80, 2.0, 2.6, 2.8Lt, >92

Length: 650mm
Height: 350mm
Thickness: 17mm

Inlet: # 8 MIOR
Outlet: # 6 MIOR

RD0082
R12 Fitting Profile
8A0260403D




CN5566
Audi A1, 6/10>

Length: 615mm
Height: 334mm
Thickness: 16mm

Inlet: Pad
Outlet: Pad

6R0820411D




CN5442
Audi A3, 04>

Length: 580mm
Height: 396mm
Thickness: 16mm

Inlet: Pad
Outlet: Pad

RD7320
1K0820411G
1K0820411F

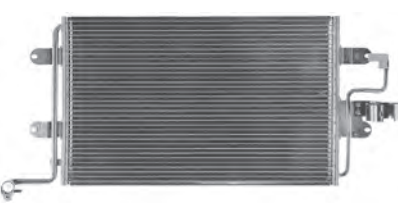


CN5401
Audi A3, 5/97>
Audi S3, 5/97>

Length: 588mm
Height: 360mm
Thickness: 16mm

Inlet: Pad
Outlet: Pad

RD5401
1J0820411B
1J0820413B




CN5538
Audi A4, 07>
Audi A5, 6/07>

Length: 679mm
Height: 340mm
Thickness: 16mm

Inlet: Pad
Outlet: Pad

8K0260403M




CN5430
Audi A4, 01>
Audi S4, 01>
Audi A6, 01>

Length: 605mm
Height: 407mm
Thickness: 16mm

Inlet: Pad
Outlet: Pad

R12 Fitting Profile
8E0260413A
8E0260413B

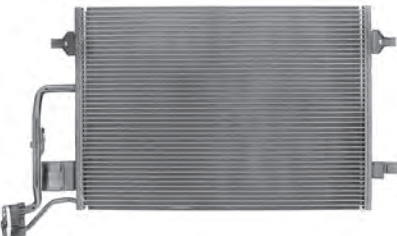


CN5252
Audi A4, 01>

Length: 615mm
Height: 418mm
Thickness: 16mm

Inlet: Pad
Outlet: Pad

RD0084
3B0260401




CN4085
Audi A4, 2.6Lt, 11/94-7/97
Audi S4, 2.6Lt, 11/94-7/97

Length: 612mm
Height: 418mm
Thickness: 16mm

Inlet: M24 x 1.5 MIOR
Outlet: M20 x 1.5 MIOR

RD0080
8D0260401A
8D0260401D
With charge port

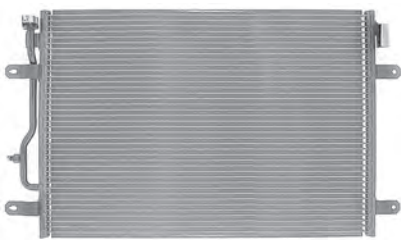


CN5441
Audi A4
Audi S4
Audi A6 Cabriolet

Length: 607mm
Height: 410mm
Thickness: 16mm

Inlet: Pad
Outlet: Pad

R134a Fitting Profile
 8E0260401D

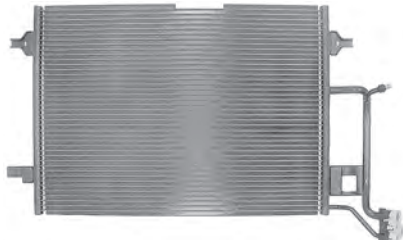


CN4090
Audi A4

Length: 610mm
Height: 420mm
Thickness: 17mm

Inlet: Pad
Outlet: Pad

8D0260403G
 No charge port



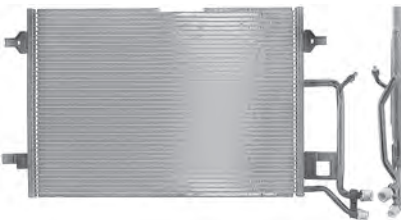
CN5254
Audi A4

Length: 615mm
Height: 419mm
Thickness: 16mm

Inlet: M24 x 1.5 MIOR
Outlet: M20 x 1.5 MIOR

RD0080

8D0260401H
 8D0260403H
 No charge port




CN5537
Audi A4

Length: 603mm
Height: 408mm
Thickness: 16mm

Inlet: Pad
Outlet: Pad

From Chassis #
 8E-5-502 975
 8E0260403T

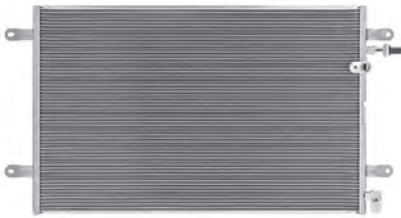


CN5483
Audi A6, 04>

Length: 655mm
Height: 400mm
Thickness: 16mm

Inlet: Pad
Outlet: Pad

4F0260403P
 4F0260401E




CN4087
Audi A6, 98-01

Length: 650mm
Height: 418mm
Thickness: 16mm

Inlet: M24 x 1.5 MIOR
Outlet: M20 x 1.5 MIOR

4B0260403D
 No charge port




CN5458
Audi A6, 4.2Lt V8, 98>

Length: 667mm
Height: 431mm
Thickness: 16mm

Inlet: M24 x 1.5 MIOR
Outlet: M20 x 1.5 MIOR

4B3260401C
 4B3260403E



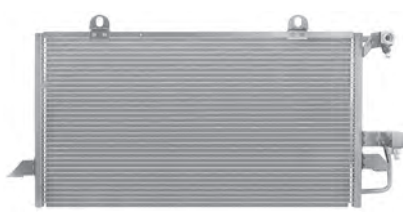
CN4076
Audi Cabriolet, 92-00

Length: 658mm
Height: 342mm
Thickness: 21mm

Inlet: M24 x 1.5 MIOR
Outlet: M18 x 1.5 MIOR

RD0080

R134a Fitting Profile
 8A0260403AA

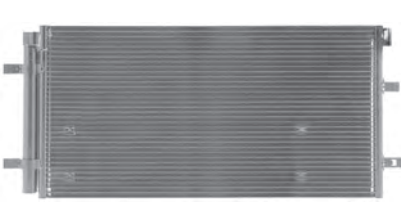


CN5538
Audi Q5, 11/08>

Length: 679mm
Height: 340mm
Thickness: 16mm

Inlet: Pad
Outlet: Pad

8K0260403M




CN6532
Audi Q7, 8/06>

Length: 700mm
Height: 390mm
Thickness: 16mm

Inlet: Pad
Outlet: Pad

RD4055

7L0820411G




CN5401
Audi TT, Coupe & Roadster, 97>

Length: 588mm
Height: 360mm
Thickness: 16mm

Inlet: Pad
Outlet: Pad

RD5401


1J0820411B
1J0820413B




CN6557
BMW 1 Series, E82, E87, 3/07>

Length: 624mm
Height: 342mm
Thickness: 18mm


Inlet: Pad
Outlet: Pad



CN6523
BMW 3 Series, E90, 6/05>

Length: 660mm
Height: 400mm
Thickness: 20mm

Inlet: Pad
Outlet: Pad




CN6506
BMW 3 Series, E46, 9/98>

Length: 562mm
Height: 445mm
Thickness: 15mm

Inlet: Pad
Outlet: Pad

RD9164

64538377614



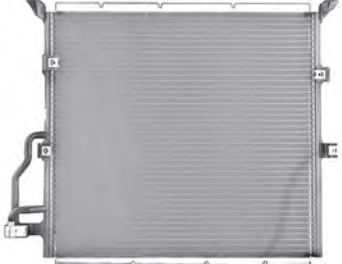
CN6511
BMW 3 Series, E36, 98>

Length: 490mm
Height: 458mm
Thickness: 16mm

Inlet: Pad
Outlet: Pad

RD9163

64538371653



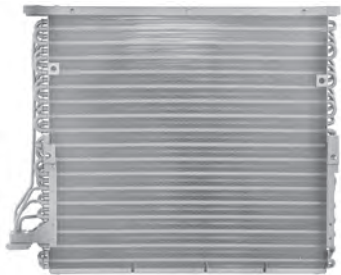
CN3091
BMW 3 Series, E36, 95>

Length: 483mm
Height: 468mm
Thickness: 45mm

Inlet: Pad
Outlet: Pad

RD9152

64538391406
Tube & Fin




CN3090
BMW 3 Series, E36, 91-94

Length: 483mm
Height: 468mm
Thickness: 35mm

Inlet: Pad
Outlet: Pad

RD9152

No fan mount points
Tube & Fin




CN3093
BMW 3 Series, E36, 90>

Length: 530mm
Height: 465mm
Thickness: 35mm

Inlet: Pad
Outlet: Pad

With fan mount points
Alloy tubes



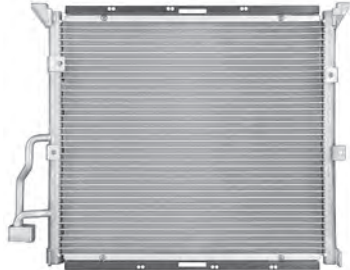
CN6501
BMW 3 Series, E36

Length: 507mm
Height: 468mm
Thickness: 25mm

Inlet: Pad
Outlet: Pad

RD9152 (R12)
RD9163 (R134a)

64538367946



CN3007

BMW 3 Series, E30, 1/88-91

Length: 399mm
Height: 359mm
Thickness: 35mm

Inlet: # 8 MIOR
Outlet: # 6 MIOR

RD4435



CN6524

BMW 5 Series, E60, 04>
BMW 6 Series, E63
BMW 7 Series, E65, E66, 1/02>

Length: 626mm
Height: 420mm
Thickness: 24mm

Inlet: Pad
Outlet: Pad



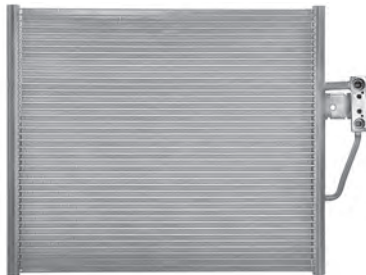
CN6507

BMW 5 Series, E39, 95>

Length: 498mm
Height: 410mm
Thickness: 15mm

Inlet: Pad
Outlet: Pad

R12 Fitting Profile
64538391647



CN6509

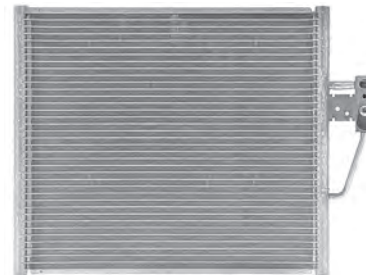
BMW 5 Series, E39, 9/98>

Length: 498mm
Height: 420mm
Thickness: 20mm

Inlet: Pad
Outlet: Pad

RD9164

R134a Fitting Profile
64538378438



CN3092

BMW 5 Series, E28, 535i, 82-88

Length: 544mm
Height: 342mm
Thickness: 25mm

Inlet: # 8 MIOR
Outlet: # 8 MIOR

RD4433

Tube & Fin



CN3009

BMW 5 Series, E28

Length: 533mm
Height: 410mm
Thickness: 35mm

Inlet: # 8 MIOR
Outlet: # 6 MIOR



CN6574

BMW 5 Series, F07, F10, 520D, 530D,
535D, 535i, 6/10>
BMW 7 Series, F01, F02 730D, 740i, 3/09>

Length: 625mm
Height: 465mm
Thickness: 16mm

Inlet: Pad
Outlet: Pad

64509149385



Picture unavailable at time of printing
refer www.cooldrive.com.au

CN6536

BMW 7 Series, E38, 94-96

Length: 498mm
Height: 412mm
Thickness: 16mm

Inlet: Pad
Outlet: Pad



CN6557

BMW X1, E84, 4/10>

Length: 624mm
Height: 342mm
Thickness: 18mm

Inlet: Pad
Outlet: Pad



CN6562

BMW X3, F25, 2.0Lt Diesel, 3/11>

Length: 672mm
Height: 377mm
Thickness: 16mm

Inlet: Pad
Outlet: Pad

64539216143




Picture unavailable at time of printing
refer www.cooldrive.com.au

CN6535
BMW X3, E83, Diesel, 10/03-9/05

Length: 556mm
Height: 310mm
Thickness: 16mm

Inlet: Pad
Outlet: Pad

64538377648




CN6506
BMW X3, E83, Petrol, 03>

Length: 562mm
Height: 445mm
Thickness: 15mm

Inlet: Pad
Outlet: Pad

RD9164
64538377614




CN6561
BMW X5M E70, 07-10

Length: 628mm
Height: 462mm
Thickness: 16mm

Inlet: Pad
Outlet: Pad

64509239944
CN6559 for X5

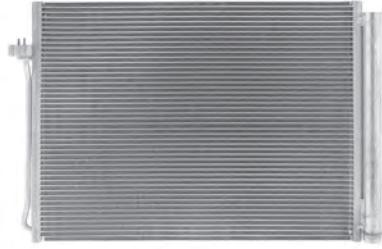

 Picture unavailable at time of printing
 refer www.cooldrive.com.au

CN6559
BMW X5 E70, 3/07>
BMW X6, E71, 7/08>

Length: 628mm
Height: 462mm
Thickness: 16mm

Inlet: Pad
Outlet: Pad

64536972553




CN6534
BMW X5, E53, Petrol & Diesel, 5/00>

Length: 536mm
Height: 389mm
Thickness: 16mm

Inlet: Pad
Outlet: Pad

64536914216

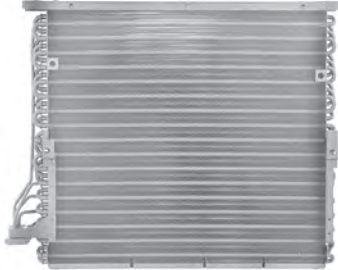


CN3091
BMW Z3 Roadster, 95>

Length: 483mm
Height: 468mm
Thickness: 45mm

Inlet: Pad
Outlet: Pad

RD9152
64538391406
Tube & Fin


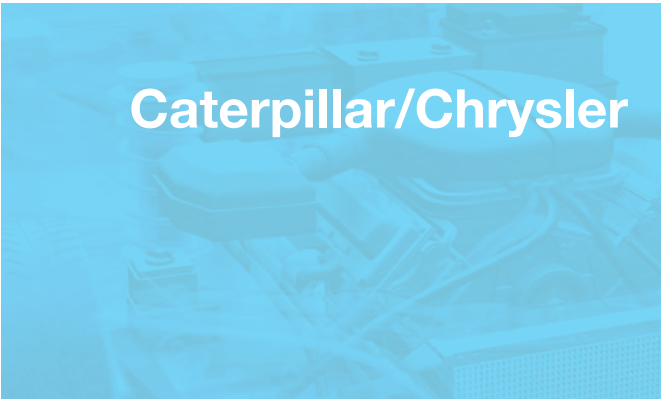


CN6506
BMW Z4, 3/06>

Length: 562mm
Height: 445mm
Thickness: 15mm

Inlet: Pad
Outlet: Pad

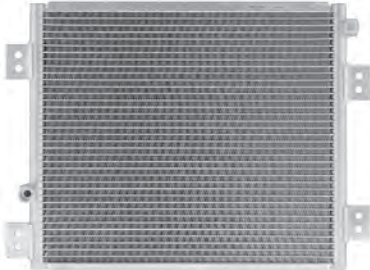
RD9164
64538377614

CN6181
Caterpillar 322CL Excavator

Length: 460mm
Height: 390mm
Thickness: 20mm

Inlet: M22 x 1.5 MIOR
Outlet: M16 x 1.5 MIOR




CN6565
Chrysler 300C, 11/05>

Length: 645mm
Height: 455mm
Thickness: 22mm

Inlet: Pad
Outlet: Pad

5137693AA
5137693AB




CN5360
Chrysler Neon, 00>

Length: 632mm
Height: 319mm
Thickness: 16mm

Inlet: Pad
Outlet: Pad

KO5014582AC



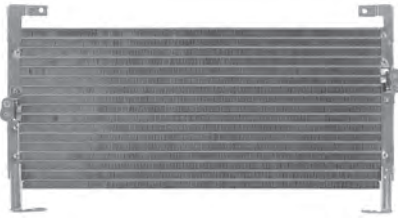
CN5038
Chrysler Neon, 97-99

Length: 698mm
Height: 289mm
Thickness: 22mm

Inlet: Pad
Outlet: Pad

RD9580

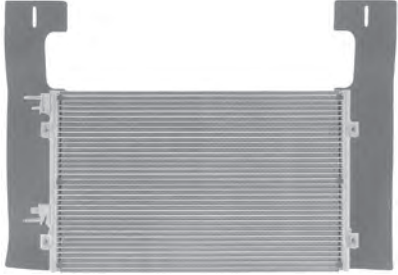
4740109
4546899
4495936



CN5480
Chrysler PT Cruiser, 12/04>

Length: 576mm
Height: 348mm
Thickness: 16mm


Inlet: Pad
Outlet: Pad



CN5352
Chrysler PT Cruiser, 00>

Length: 580mm
Height: 348mm
Thickness: 22mm

Inlet: Pad
Outlet: Pad




CN5479
Chrysler Sebring, 07>

Length: 676mm
Height: 424mm
Thickness: 16mm

Inlet: Pad
Outlet: Pad

Auto Transmission
K68004053AA
Internal Oil Cooler




CN5359
Chrysler Voyager, 10/04>

Length: 770mm
Height: 440mm
Thickness: 21mm

Inlet: Pad
Outlet: Pad

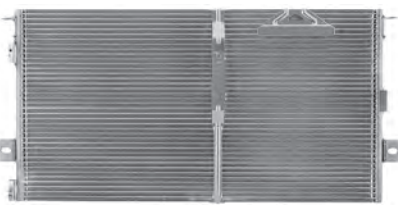
Internal Oil Cooler



CN5348
Chrysler Voyager, 02>

Length: 743mm
Height: 389mm
Thickness: 22mm


Inlet: Pad
Outlet: Pad



CN5361
Chrysler Voyager, 01-02

Length: 780mm
Height: 438mm
Thickness: 22mm

Inlet: Pad
Outlet: Pad




CN5349
Chrysler Voyager, 00>

Length: 380mm
Height: 130mm
Thickness: 22mm

Inlet: # 6 MIOR
Outlet: Pad

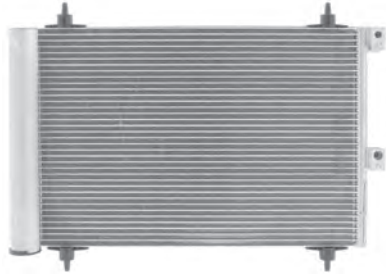
K04809195AB




CN5533
Citroen Berlingo I, Diesel, 7/05>

Length: 560mm
Height: 362mm
Thickness: 16mm

Inlet: Pad
Outlet: Pad

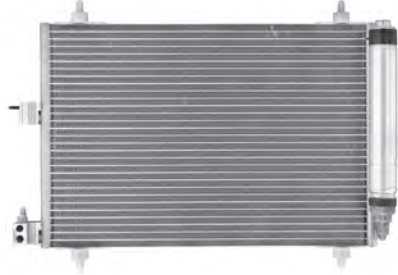


CN5523
Citroen Berlingo, 1.6, 1.9, 2.0Lt HDi, 1/03>

Length: 555mm
Height: 366mm
Thickness: 16mm

Inlet: Pad
Outlet: Pad

9645974780
6455CV
6455AT




CN5334
Citroen Berlingo, 7/96-11/02

Length: 575mm
Height: 325mm
Thickness: 17mm

Inlet: Pad
Outlet: # 6 FOR

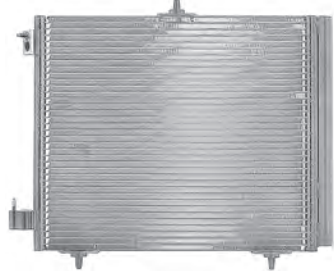
RD1306
6455V9



CN5355
Citroen C2, 3/04>
Citroen C3, 12/02>

Length: 455mm
Height: 370mm
Thickness: 16mm

Inlet: Pad
Outlet: Pad

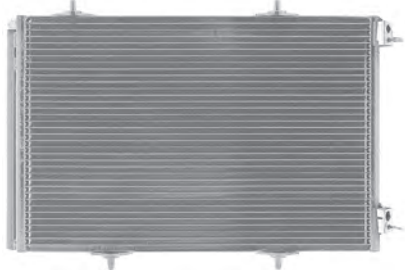


CN5522
Citroen C3, 06>

Length: 557mm
Height: 362mm
Thickness: 16mm

Inlet: Pad
Outlet: Pad

6455HG
6455EK

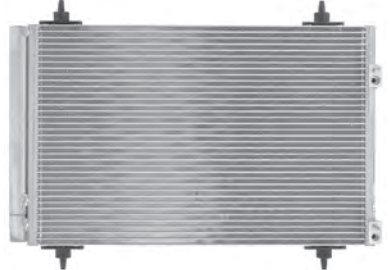


CN5459
Citroen C4, 05>

Length: 570mm
Height: 360mm
Thickness: 16mm

Inlet: Pad
Outlet: Pad

RD4050
9650545480
6455CX

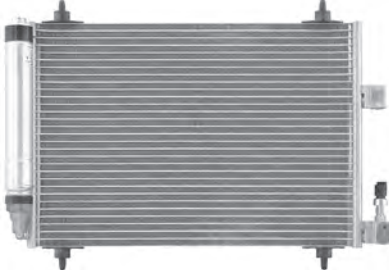


CN5521
Citroen C5, 04>
Citroen C6, 06>

Length: 552mm
Height: 365mm
Thickness: 16mm

Inlet: Pad
Outlet: Pad

RD7067
CA1458
876227Q
6455CP

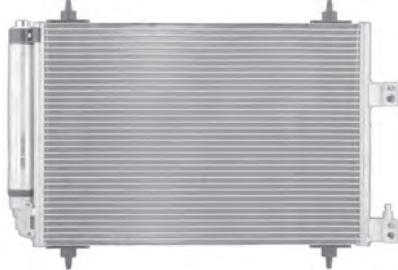


CN5519
Citroen C5, 6/01-8/04

Length: 552mm
Height: 365mm
Thickness: 16mm

Inlet: Pad
Outlet: Pad

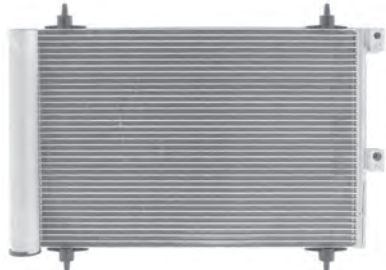
6453FH



CN5533
Citroen Xsara, Diesel, 7/05>

Length: 560mm
Height: 362mm
Thickness: 16mm

Inlet: Pad
Outlet: Pad

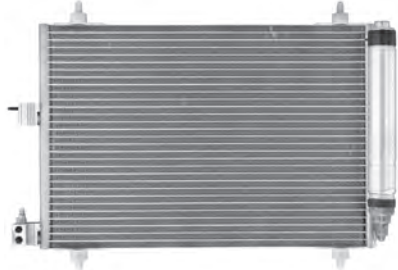


CN5523
Citroen Xsara, 12/99>

Length: 555mm
Height: 366mm
Thickness: 16mm

Inlet: Pad
Outlet: Pad

9645974780
6455CV
6455AT





CN5379
 Daewoo Cielo, 1.5Lt, 95-98
 Daewoo Espero, 95-98

Length: 674mm
Height: 356mm
Thickness: 22mm

Inlet: M20 x 1.5 MIOR
Outlet: M18 x 1.5 MIOR

RD9655

R134a Fitting Profile
 96164823
 96208416

CN5374
 Daewoo Cielo, 1.5Lt, 7/94-10/95
 Daewoo Espero, 7/94-10/95

Length: 672mm
Height: 365mm
Thickness: 25mm

Inlet: # 8 MIOR
Outlet: # 6 MIOR

RD9776

R12 Fitting Profile
 96145316

CN5612
 Daewoo Kalos, 4/03-12/04

Length: 585mm
Height: 415mm
Thickness: 16mm

Inlet: Pad
Outlet: Pad

RD9697

96539634

CN5614
 Daewoo Kalos, 4/03-12/04

Length: 586mm
Height: 415mm
Thickness: 16mm

Inlet: Pad
Outlet: Pad

96539634
 375mm Bracket Height

CN5613
 Daewoo Lacetti, 9/03-12/04

Length: 645mm
Height: 395mm
Thickness: 19mm

Inlet: Pad
Outlet: Pad

RD5613

CN5387
 Daewoo Lanos KA, KC, KD, KL, 8/97-12/01

Length: 600mm
Height: 388mm
Thickness: 18mm

Inlet: Pad
Outlet: Pad

RD7046

96303204
 96274635

CN5386
 Daewoo Leganza, 97>

Length: 640mm
Height: 360mm
Thickness: 20mm

Inlet: Pad
Outlet: Pad

RD7047

96207354
 96211815

CN5431
 Daewoo Matiz, 1/02-12/04

Length: 540mm
Height: 295mm
Thickness: 18mm

Inlet: M20 x 1.5 MIOR
Outlet: M18 x 1.5 MIOR

RD7170

CN5395
 Daewoo Matiz, 10/99-12/01

Length: 540mm
Height: 307mm
Thickness: 18mm

Inlet: M20 x 1.5 MIOR
Outlet: M18 x 1.5 MIOR


RD7170

CN1013
Daewoo Musso, 2.9Lt Diesel, 7/98-12/02

Length: 700mm
Height: 370mm
Thickness: 19mm

Inlet: Pad
Outlet: Pad

6841005040-X




CN1010
Daewoo Musso, 3.2Lt Petrol, 7/98-12/02

Length: 695mm
Height: 368mm
Thickness: 16mm

Inlet: Pad
Outlet: Pad

RD7186
6841005033




CN5606
Daewoo Nubira, 7/99-3/01

Length: 645mm
Height: 365mm
Thickness: 19mm

Inlet: Pad
Outlet: Pad

RD7060
96331477

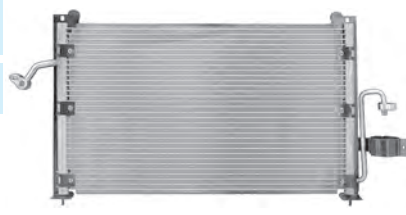


CN5388
Daewoo Nubira, 97-6/99

Length: 640mm
Height: 360mm
Thickness: 20mm

Inlet: Pad
Outlet: Pad

RD7047
96190601
96283364



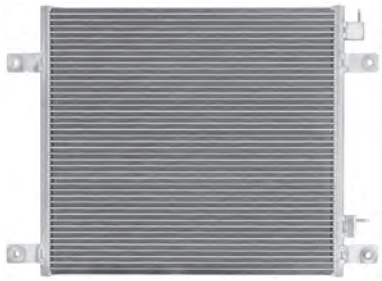
DAF/Daihatsu

CN0710
DAF CF65, FA65, FA75, FAG75, FAR75, 1/01>

Length: 505mm
Height: 435mm
Thickness: 16mm

Inlet: Pad
Outlet: Pad

1371355




CN5403
Daihatsu Applause A101, 9/97-5/00

Length: 610mm
Height: 302mm
Thickness: 15mm

Inlet: # 8 MIOR
Outlet: # 6 MIOR

RD4040, RD4030




CN5426
Daihatsu Applause A101, 10/93-9/97

Length: 630mm
Height: 285mm
Thickness: 16mm

Inlet: # 10 MIOR
Outlet: Pad

RD7027
R134a Fitting Profile




CN5370
Daihatsu Applause A101, 1/89-8/92

Length: 648mm
Height: 295mm
Thickness: 22mm

Inlet: # 8 MIOR
Outlet: # 6 MIOR

RD7003
R12 Fitting Profile




CN5316
Daihatsu Charade, 05>

Length: 327mm
Height: 377mm
Thickness: 16mm

Inlet: Pad
Outlet: Pad

RD4050
R134a Fitting Profile
88450-B2070



CN5468

Daihatsu Charade L251, 03>

Length: 326mm
Height: 363mm
Thickness: 16mm

Inlet: Pad
Outlet: Pad

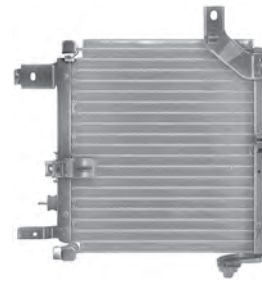


CN5410

Daihatsu Charade Centro L500, 3/95-10/96

Length: 328mm
Height: 332mm
Thickness: 31mm

Inlet: M22 x 1.5 MIOR
Outlet: M16 x 1.5 MIOR



CN5204

Daihatsu Charade G203, 3/93-12/95

Length: 630mm
Height: 367mm
Thickness: 21mm

Inlet: Pad
Outlet: Pad

RD7001



CN5210

Daihatsu Charade G202, 3/93-10/93

Length: 374mm
Height: 377mm
Thickness: 22mm

Inlet: # 8 MIOR
Outlet: Pad

RD7001



CN5203

Daihatsu Charade G200, 2/93-98
Daihatsu Charade G203, 6/94-11/95

Length: 634mm
Height: 363mm
Thickness: 21mm

Inlet: Pad
Outlet: Pad

RD7001



CN5417

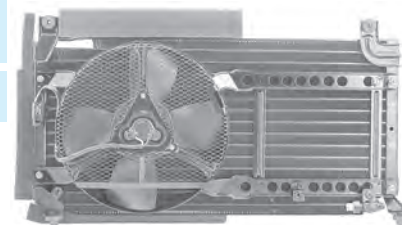
Daihatsu Charade G102, 7/90-12/93

Length: 655mm
Height: 315mm
Thickness: 31mm

Inlet: # 8 MIOR
Outlet: # 6 MIOR

RD7003

Manual Transmission



CN5404

Daihatsu Charade G100, 3/87-6/90

Length: 350mm
Height: 347mm
Thickness: 31mm

Inlet: # 8 MIOR
Outlet: # 6 MIOR

RD7031, RD7003

R12 Fitting Profile



CN5232

Daihatsu Cuore L701, 00>

Length: 350mm
Height: 360mm
Thickness: 16mm

Inlet: Pad
Outlet: Pad

RD4040, RD4030



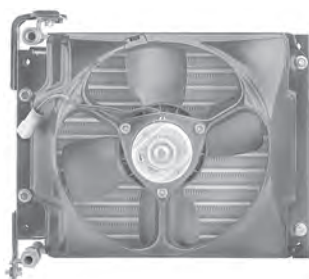
CN5205

Daihatsu Delta, 94>

Length: 369mm
Height: 282mm
Thickness: 45mm

Inlet: # 8 MIOR
Outlet: # 6 MIOR

RD7027



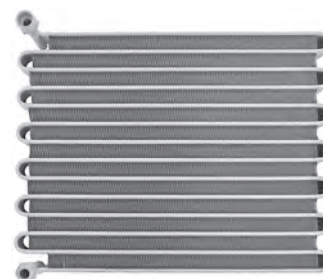
CN5470

Daihatsu Delta, 94>

Length: 365mm
Height: 280mm
Thickness: 45mm

Inlet: # 8 MIOR
Outlet: # 6 MIOR

Coil for CN5205 assembly

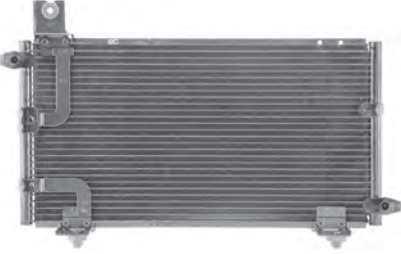


CN5206
Daihatsu Feroza F300, F310, 9/93-5/98

Length: 530mm
Height: 275mm
Thickness: 16mm

Inlet: Pad
Outlet: Pad

RD7027

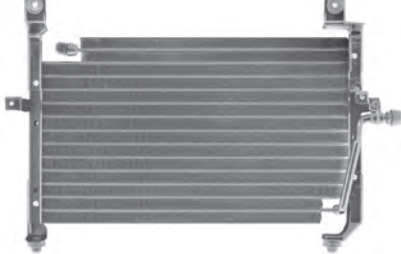


CN5213
Daihatsu Feroza F300, F310, 10/88-9/93

Length: 530mm
Height: 290mm
Thickness: 22mm

Inlet: # 8 MIOR
Outlet: # 5 MIOR

RD7003
R12 Fitting Profile




CN5232
Daihatsu Handivan L701, 3/99>

Length: 350mm
Height: 360mm
Thickness: 16mm

Inlet: Pad
Outlet: Pad

RD4040, RD4030




CN5405
Daihatsu Mira L200, 660cc, 4/92-4/95

Length: 347mm
Height: 349mm
Thickness: 31mm

Inlet: # 8 MIOR
Outlet: # 5 MIOR

RD7003




CN5204
Daihatsu Pyzar G301, G303, 2/97-1/01

Length: 630mm
Height: 367mm
Thickness: 21mm

Inlet: Pad
Outlet: Pad


RD7001



CN5805
Daihatsu Sirion, 11/04>

Length: 522mm
Height: 270mm
Thickness: 16mm

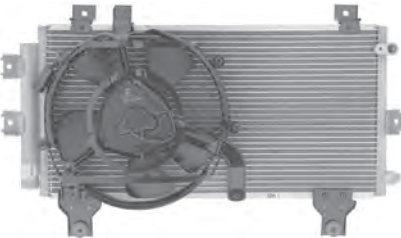
Inlet: Pad
Outlet: Pad



CN5467
Daihatsu Sirion, 1.0Lt, 2/02>

Length: 590mm
Height: 295mm
Thickness: 16mm

Inlet: Pad
Outlet: # 6 MIOR




CN5212
Daihatsu Sirion M100, 1.0Lt, 98-2/02

Length: 590mm
Height: 293mm
Thickness: 16mm

Inlet: Pad
Outlet: M20 x 1.5 MIOR

RD4040, RD4030

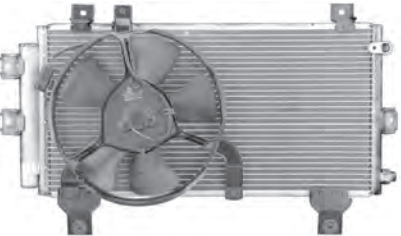


CN5207
Daihatsu Sirion M100, 1.0Lt, 98-2/02

Length: 590mm
Height: 293mm
Thickness: 16mm

Inlet: Pad
Outlet: M20 x 1.5 MIOR

RD4040, RD4030

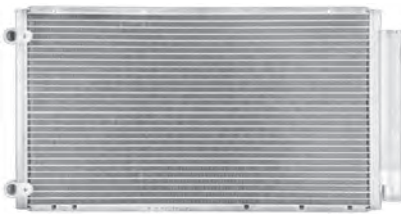


CN5299
Daihatsu Sirion M101, GTVi 1.3Lt, 9/00>

Length: 530mm
Height: 293mm
Thickness: 16mm

Inlet: Pad
Outlet: Pad

RD4030



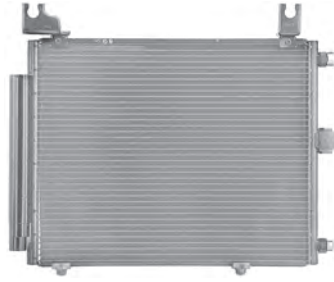
CN5208

Daihatsu Terios J102, 5/99>

Length: 465mm
Height: 367mm
Thickness: 16mm

Inlet: # 8 MIOR
Outlet: # 6 MIOR

RD4040, RD4030



CN5209

Daihatsu Terios J100, 7/97-5/99

Length: 510mm
Height: 368mm
Thickness: 16mm

Inlet: M22 x 1.5 MIOR
Outlet: M16 x 1.5 MIOR

RD7001



Dodge/Fiat

CN5479

Dodge Avenger, 07>
Dodge Caliber, 07>

Length: 676mm
Height: 424mm
Thickness: 16mm

Inlet: Pad
Outlet: Pad

Auto Transmission
K68004053AA
Internal Oil Cooler



CN6591

Dodge Journey JC, 9/08-1/12

Length: 686mm
Height: 462mm
Thickness: 16mm

Inlet: Pad
Outlet: Pad

PS2080011715
Internal Oil Cooler



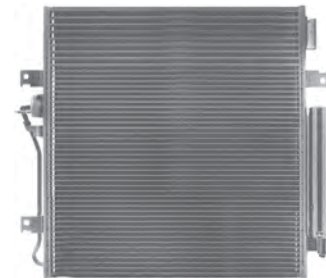
CN6592

Dodge Nitro KA, 2.8Lt Turbo Diesel, 6/07-6/10

Length: 510mm
Height: 527mm
Thickness: 16mm

Inlet: Pad
Outlet: Pad

Internal Oil Cooler



CN6595

Dodge Ram 2500, 6 cyl, Turbo Diesel, 06>

Length: 635mm
Height: 558mm
Thickness: 16mm

Inlet: Pad
Outlet: Pad


Picture unavailable at time of printing
refer www.cooldrive.com.au

CN6351

Fiat 500, 1.2, 1.3, 1.4Lt, 3/08>

Length: 538mm
Height: 371mm
Thickness: 16mm

Inlet: Pad
Outlet: Pad


Picture unavailable at time of printing
refer www.cooldrive.com.au

51786211

CN6555

Fiat Ducato, 7/06>

Length: 748mm
Height: 292mm
Thickness: 16mm

Inlet: Pad
Outlet: Pad

1343785080



CN5865

Fiat Punto, 10/05>

Length: 601mm
Height: 341mm
Thickness: 16mm

Inlet: Pad
Outlet: Pad

55700406





Ford

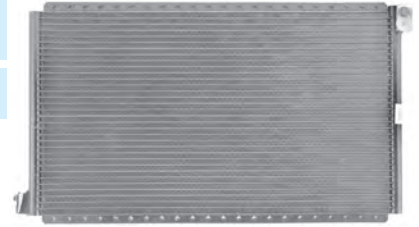
CN7020
Ford Capri SB, SC, SE, 3/92-11/94

Length: 610mm
Height: 360mm
Thickness: 21mm

Inlet: Pad
Outlet: Pad

RD7003, RD7052

R134a Fitting Profile
AW344795



CN5010
Ford Corsair UA, 10/89-10/92

Length: 735mm
Height: 362mm
Thickness: 22mm

Inlet: Pad
Outlet: Pad

RD0134



CN5391
Ford Cougar, 10/99-4/01

Length: 590mm
Height: 392mm
Thickness: 22mm

Inlet: Pad
Outlet: Pad



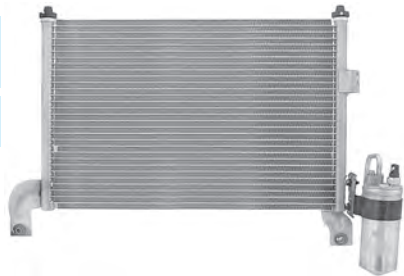
CN7054
Ford Courier, 03>

Length: 530mm
Height: 330mm
Thickness: 19mm

Inlet: Pad
Outlet: Pad

RD7098

MAC0427566



CN7061
Ford Courier, 03-11/06

Length: 545mm
Height: 350mm
Thickness: 16mm

Inlet: Pad dia. 15.5mm
Outlet: Pad dia. 10.0mm



CN7024
Ford Courier, 96-02

Length: 607mm
Height: 355mm
Thickness: 21mm

Inlet: Pad
Outlet: Pad

RD6109

R134a Fitting Profile

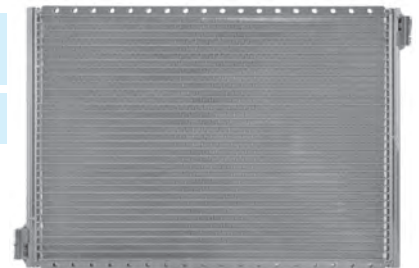


CN7047
Ford Courier, 2.6Lt Petrol, 91-93

Length: 510mm
Height: 335mm
Thickness: 16mm

Inlet: Pad
Outlet: Pad

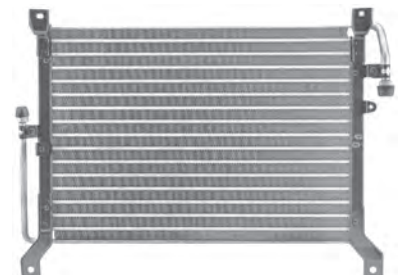
R12 Fitting Profile



CN5215
Ford Courier, 11/85-89

Length: 508mm
Height: 342mm
Thickness: 22mm

Inlet: # 8 MIOR
Outlet: # 6 MIOR



CN7032
Ford Econovan, 1.8, 2.0Lt, 93-94

Length: 510mm
Height: 310mm
Thickness: 21mm

Inlet: Pad
Outlet: Pad




CN0006
Ford Escape, 3.0Lt V6, 2/01>

Length: 755mm
Height: 430mm
Thickness: 22mm

Inlet: Pad
Outlet: Pad


RD7096
YL8H1971CA



CN5802
Ford Explorer, 02>

Length: 566mm
Height: 530mm
Thickness: 16mm

Inlet: Pad
Outlet: Pad




CN0005
Ford Explorer UN, UP, 10/96-8/99

Length: 570mm
Height: 548mm
Thickness: 21mm

Inlet: Pad
Outlet: Pad

RD2818




CN0007
Ford F250, F350, 01-07

Length: 765mm
Height: 610mm
Thickness: 25mm

Inlet: Pad
Outlet: Pad

RD2818
F81Z19712AA

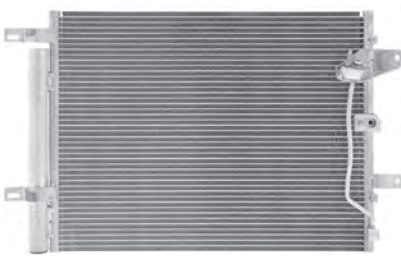


CN8013
Ford Falcon FG, 2.0Lt Turbo 4 cyl, 3/12>

Length:
Height:
Thickness:

Inlet:
Outlet:

RD4030

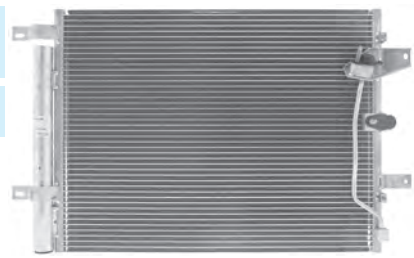


CN8012
Ford Falcon FG, 4.0Lt 6 cyl, 11/11>

Length: 587mm
Height: 430mm
Thickness: 16mm

Inlet: Pad
Outlet: Pad


RD4030
AR2Z19710BA



CN8009J
Ford Falcon FG, 6 & 8 cyl, 5/08>

Length: 587mm
Height: 422mm
Thickness: 16mm

Inlet: Pad
Outlet: Pad

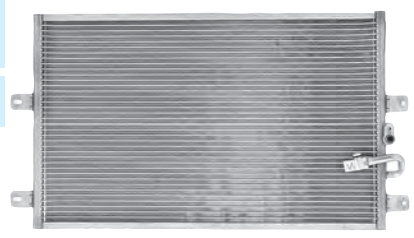


CN8004J
Ford Falcon BA, BF, 6 & 8 cyl 9/02-7/11
Ford Fairlane BA, BF, 6 & 8 cyl, 6/03-12/07

Length: 630mm
Height: 380mm
Thickness: 16mm

Inlet: Pad
Outlet: Pad

RD2823
Unpainted




CN8005J
Ford Falcon BA, BF, XR6, XR8, 9/02-4/08

Length: 630mm
Height: 380mm
Thickness: 16mm

Inlet: Pad
Outlet: Pad

RD2823
Painted black




CN8002
Ford Falcon AU, 6 & 8 cyl, 9/98-9/02
Ford Fairlane AU, 6 & 8 cyl, 9/98-12/02

Length: 600mm
Height: 395mm
Thickness: 19mm

Inlet: Pad
Outlet: Pad

RD2819
ER19710A

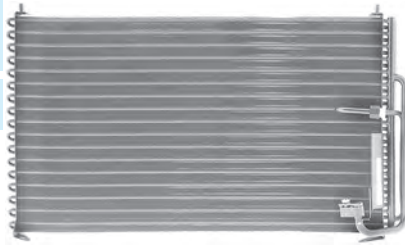


CN3034
 Ford Falcon EL, 4/96-8/98
 Ford Fairlane NL, 4/96-8/98
 Ford Falcon XH Ute, 4/96-8/98

Length: 660mm
Height: 375mm
Thickness: 38mm

Inlet: Pad
Outlet: # 6 FOR

RD2814
 EL19710B

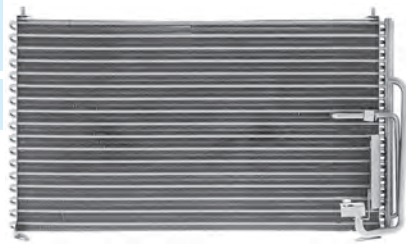


CN3031
 Ford Falcon EF, EL, 10/95-8/96

Length: 660mm
Height: 386mm
Thickness: 38mm

Inlet: Pad
Outlet: # 6 FOR

RD2807
 EL19710A
 6mm Copper tube

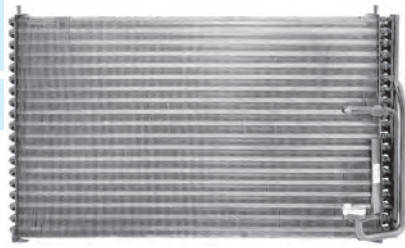


CN9031
 Ford Falcon EF, EL, 10/95-8/96

Length: 660mm
Height: 375mm
Thickness: 38mm

Inlet: Pad
Outlet: # 6 FOR

RD2807
 EL19710A
 8mm Aluminium tube

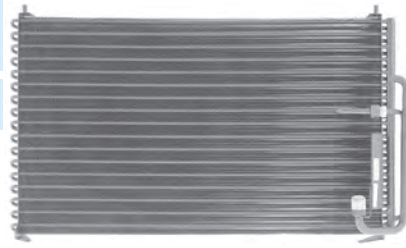


CN3029
 Ford Falcon EF, 8/94-10/95

Length: 660mm
Height: 375mm
Thickness: 38mm

Inlet: # 8 MIOR
Outlet: # 6 FOR

RD2807
 EE19710A
 6mm Copper tube

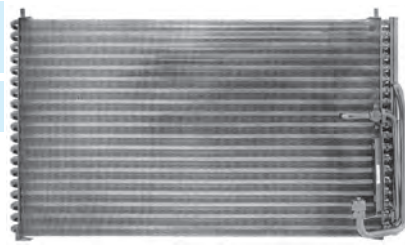


CN9029
 Ford Falcon EF, 8/94-10/95

Length: 660mm
Height: 386mm
Thickness: 38mm

Inlet: # 8 MIOR
Outlet: # 6 FOR

RD2807
 8mm Aluminium tube




CN9028
 Ford Falcon EA, EB, EB2, 2/88-8/93
 Ford Falcon ED, 8/93-9/94

Length: 678mm
Height: 395mm
Thickness: 24mm

Inlet: Pad
Outlet: Pad

RD2222
 RD2807
 EE19710B

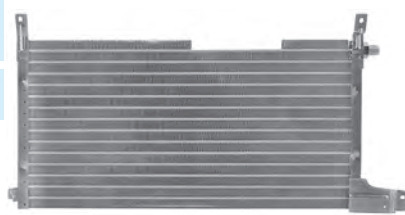


CN1081
 Ford Falcon XF, 10/84-2/88
 Ford Fairlane ZL, 10/84-2/88
 Ford Falcon XG Ute, Van 8/93-8/96

Length: 733mm
Height: 354mm
Thickness: 25mm

Inlet: # 8 MIOR
Outlet: # 6 MIOR

RD4016 (XF, ZL)
 RD2222 (XG)




CN5392
 Ford Festiva WF, 4/98-4/01

Length: 589mm
Height: 290mm
Thickness: 17mm

Inlet: Pad
Outlet: M16 x 1.5 MIOR

RD7019
 K37161480E

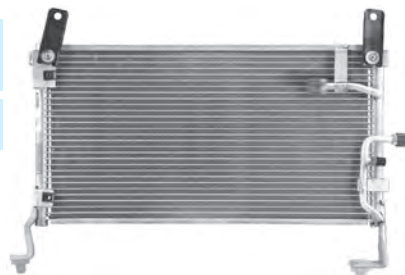


CN5383
 Ford Festiva WB, WD, WF, 1.3, 1.5Lt, 4/94-4/98

Length: 579mm
Height: 300mm
Thickness: 19mm

Inlet: M20 x 1.5 MIOR
Outlet: M16 x 1.5 MIOR

RD7019 (4/94-12/96)
 RD6109 (1/97-4/98)

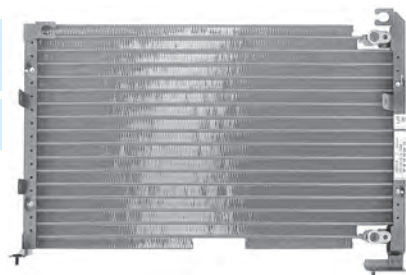


CN0023
 Ford Festiva WB, 4/94>

Length: 613mm
Height: 354mm
Thickness: 22mm

Inlet: Pad
Outlet: Pad

RD6159
 RD6126 (w/ switch)
 Cooltemp systems



CN5632
Ford Fiesta, 10>

Length: 605mm
Height: 395mm
Thickness: 12mm

Inlet: Pad
Outlet: Pad

AA6919710BC



Picture unavailable at time of printing
refer www.cooldrive.com.au

CN5474
Ford Fiesta WS, WT, 1.6Lt TDCi, 1/09>

Length: 590mm
Height: 353mm
Thickness: 12mm

Inlet: Pad
Outlet: Pad

8V51-19710-BD



CN7326
Ford Fiesta WP, 4/04-1/06

Length: 580mm
Height: 360mm
Thickness: 16mm

Inlet: Pad
Outlet: Pad

RD3050
2S6H19710AC

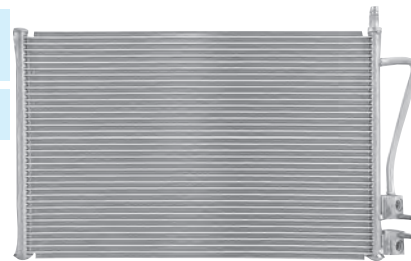


CN5446
Ford Fiesta, 1/04 >

Length: 580mm
Height: 360mm
Thickness: 16mm

Inlet: Pad
Outlet: Pad

RD3050
2S6H19710AC



CN7327
Ford Focus LS, 5/05-6/07

Length: 680mm
Height: 370mm
Thickness: 16mm

Inlet: Pad
Outlet: Pad

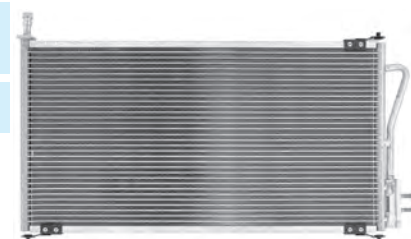


CN7325
Ford Focus LR, 9/02-4/05

Length: 670mm
Height: 350mm
Thickness: 22mm

Inlet: Pad
Outlet: Pad

RD7070



CN5594
Ford Ka, 11/99>

Length: 487mm
Height: 367mm
Thickness: 22mm

Inlet: Pad
Outlet: Pad

XS5H19710AA



CN5390
Ford Laser KN, KQ, 3/99>

Length: 640mm
Height: 330mm
Thickness: 16mm

Inlet: Pad
Outlet: Pad

RD7017

B25561480
AL5390 pipe included



CN5381
Ford Laser KJ, KL, 12/96-3/99

Length: 644mm
Height: 320mm
Thickness: 17mm

Inlet: Pad
Outlet: Pad

RD7048

BCIM61480



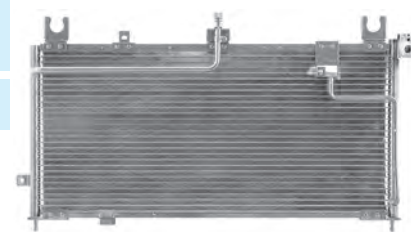
CN5026
Ford Laser KJ, 10/94-12/96

Length: 648mm
Height: 302mm
Thickness: 16mm

Inlet: Pad
Outlet: Pad

RD7017 (10/94-12/96)
RD7009 (5/94-12/94)

R134a Fitting Profile




CN7024
Ford Laser KH, 11/93-10/94

Length: 607mm
Height: 355mm
Thickness: 21mm

Inlet: Pad
Outlet: Pad

RD7015
R134a Fitting Profile

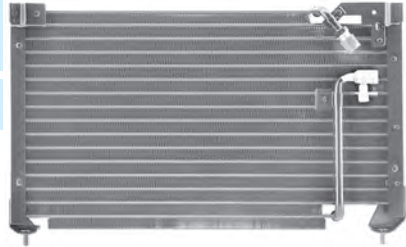


CN5020
Ford Laser KF, KH, 3/90-10/93

Length: 596mm
Height: 338mm
Thickness: 22mm

Inlet: # 8 MIOR
Outlet: Pad

RD7010
R12 Fitting Profile

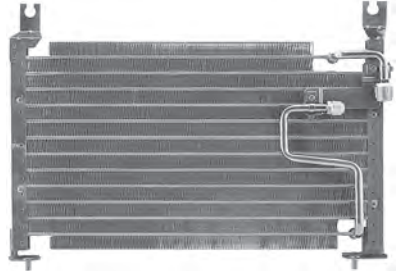


CN1214
Ford Laser KC, KE, 10/85-3/90

Length: 551mm
Height: 307mm
Thickness: 22mm

Inlet: # 8 MIOR
Outlet: # 5 MIOR

RD6310



CN5247
Ford Louisville HN80

Length: 752mm
Height: 483mm
Thickness: 22mm

Inlet: # 8 FOR
Outlet: # 8 MIOR

97HA19710AA

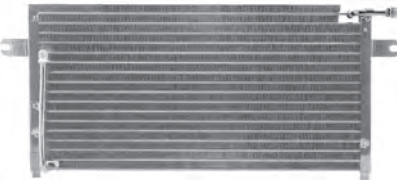


CN5325
Ford Maverick Y60, 8/87-10/94

Length: 737mm
Height: 360mm
Thickness: 22mm

Inlet: # 8 MIOR
Outlet: # 6 MIOR

RD6359

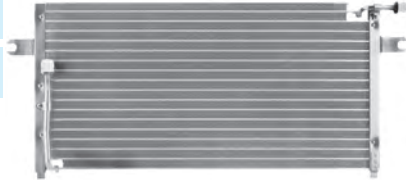


CN5327
Ford Maverick Y60, 8/87-10/94

Length: 737mm
Height: 356mm
Thickness: 22mm

Inlet: M20 x 1.5 MIOR
Outlet: M20 x 1.5 MIOR

RD9300 (dual A/C)
RD5010 (single A/C)

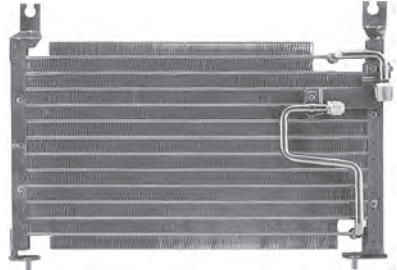


CN1214
Ford Meteor GC, 10/85-9/87

Length: 551mm
Height: 307mm
Thickness: 22mm

Inlet: # 8 MIOR
Outlet: # 5 MIOR

RD6310

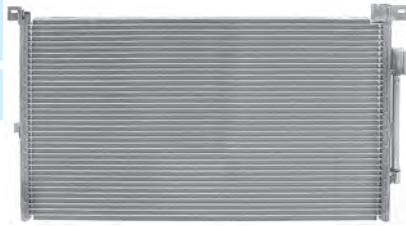


CN5398
Ford Mondeo, 01>

Length: 626mm
Height: 390mm
Thickness: 15mm

Inlet: Pad
Outlet: Pad


New Zealand Only



CN5391
Ford Mondeo HC, HD, 12/96-2/00

Length: 590mm
Height: 392mm
Thickness: 22mm

Inlet: Pad
Outlet: Pad




CN5032
Ford Mondeo HA, HB, 7/95-11/96

Length: 593mm
Height: 401mm
Thickness: 26mm

Inlet: MSL
Outlet: FSL

RD3010
Serpentine replacement for OE Tube & Fin




CN5485
Ford Mondeo MA, 10/07>

Length: 623mm
Height: 472mm
Thickness: 16mm

Inlet: Pad
Outlet: Pad

6G9119710CC




CN7024
Ford Raider, 2.6Lt Petrol, 93>

Length: 607mm
Height: 355mm
Thickness: 21mm

Inlet: Pad
Outlet: Pad


R134a Fitting Profile



CN7061
Ford Ranger

Length: 545mm
Height: 350mm
Thickness: 16mm

Inlet: Pad
Outlet: Pad dia. 10.0mm




CN5422
Ford Ranger

Length: 526mm
Height: 345mm
Thickness: 16mm

Inlet: Pad
Outlet: Pad dia. 15.5mm

Local A/C




CN0004
Ford Taurus DP, 1/97-9/98

Length: 755mm
Height: 396mm
Thickness: 22mm

Inlet: Pad
Outlet: Pad

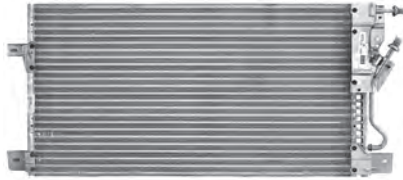
RD0050



CN0003
Ford Taurus DN, 3/96-12/96

Length: 774mm
Height: 394mm
Thickness: 20mm

Inlet: MSL
Outlet: MSL




CN5375
Ford Telstar AX, AY, 93-95

Length: 587mm
Height: 313mm
Thickness: 16mm

Inlet: Pad
Outlet: M16 x 1.5 MIOR

RD7017

R134a Fitting Profile
GC3N61480




CN5376
Ford Telstar AX, 12/91-93

Length: 602mm
Height: 333mm
Thickness: 16mm

Inlet: Pad
Outlet: # 5 MIOR

RD7009

R12 Fitting Profile

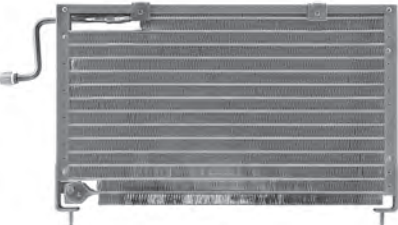


CN1376
Ford Telstar AT, 10/87-12/91

Length: 600mm
Height: 358mm
Thickness: 26mm

Inlet: # 8 MIOR
Outlet: Pad

RD5015

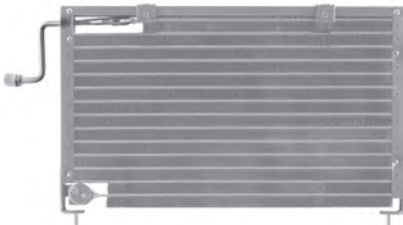


CN5378
Ford Telstar AT, 10/87-12/91

Length: 602mm
Height: 358mm
Thickness: 26mm

Inlet: M20 x 1.5 MIOR
Outlet: Pad

RD5015



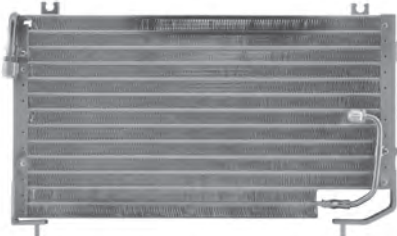
CN1021
Ford Telstar AR, AS, 2/83-10/87

Length: 589mm
Height: 310mm
Thickness: 22mm

Inlet: # 8 MIOR
Outlet: # 5 MIOR

RD6310

Denso system

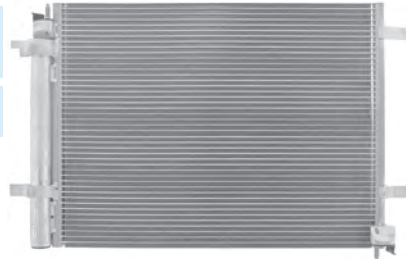


CN8011
Ford Territory SZ, 2.7Lt Turbo Diesel 5/11>

Length: 587mm
Height: 430mm
Thickness: 16mm

Inlet: Pad
Outlet: Pad

AR2Z19710AA




CN8006J
Ford Territory SX, SY, 4.0Lt 6 cyl, 5/04-4/11

Length: 630mm
Height: 428mm
Thickness: 16mm

Inlet: Pad
Outlet: Pad


RD2823



CN7032
Ford Trader, 94>

Length: 510mm
Height: 310mm
Thickness: 21mm

Inlet: Pad
Outlet: Pad




CN5436
Ford Transit VM, 10/06>

Length: 764mm
Height: 388mm
Thickness: 16mm

Inlet: Pad
Outlet: Pad

6C1119710AC
6C1119710AD
1383318




CN5397
Ford Transit VH, 2.3Lt Petrol
2.0, 2.4Lt Diesel, 8/00>

Length: 860mm
Height: 370mm
Thickness: 22mm

Inlet: Pad
Outlet: Pad

RD3026

YC1H19710BA




CN5536
Ford Transit VG Diesel, 95-00

Length: 665mm
Height: 360mm
Thickness: 16mm

Inlet: MSL
Outlet: FSL

98VW19710BA
98VW19710BC

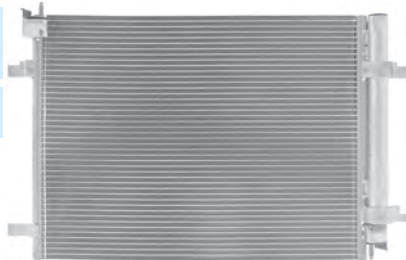


CN8010
FPV, GS, GT, GT-E, GT-P
Super Charged Miami
5.0, 5.4Lt V8, 11/11>

Length: 586mm
Height: 430mm
Thickness: 16mm

Inlet: Pad
Outlet: Pad

AR2Z19710CA



**Freightliner/GMC/
Great Wall/Hino**




CN6977
Freightliner Century

Length: 1080mm
Height: 560mm
Thickness: 18mm

Inlet: Pad
Outlet: Pad

BHT73002
77R6977

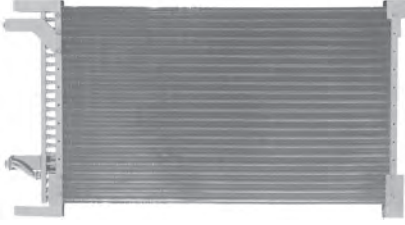


CN0709
GMC

Length: 656mm
Height: 363mm
Thickness: 22mm

Inlet: # 8 MIOR
Outlet: # 6 MIOR

8074693




CN6570
Great Wall V240 K2, Turbo Diesel, 09>

Length: 605mm
Height: 335mm
Thickness: 16mm

Inlet: Pad
Outlet: Pad

8105000-P000
Manual Transmission

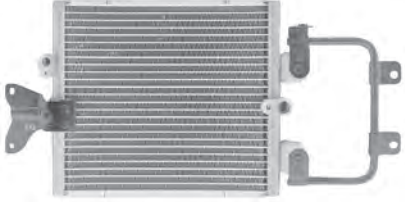

Picture unavailable at time of printing refer www.cooldrive.com.au

CN5806
Hino Dutro

Length: 290mm
Height: 255mm
Thickness: 16mm

Inlet: Pad
Outlet: Pad


88460-37500



CN5169
Hino FC3J, FD2J, FF1J, FM1J
FT1J, GD1J, GT1J, 99

Length: 315mm
Height: 355mm
Thickness: 44mm

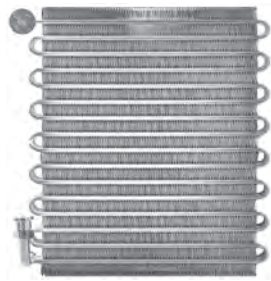
Inlet: Pad
Outlet: M22 x 1.5 MIOR



CN5168
Hino FD3H, FD3W, FE3H, FF3H
FT3W, GH3H, GT3H, 93

Length: 340mm
Height: 355mm
Thickness: 44mm

Inlet: M22 x 1.5 MIOR
Outlet: M16 x 1.5 MIOR




CN5804
Hino Truck

Length: 290mm
Height: 439mm
Thickness: 18mm

Inlet: Pad
Outlet: Pad

88410-24420

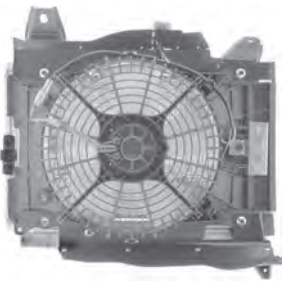


CN5803
Hino Truck

Length: 290mm
Height: 435mm
Thickness: 16mm

Inlet: Pad
Outlet: Pad

88410-24420




CN5810
Hino Truck

Length:
Height:
Thickness:

Inlet:
Outlet:

88460-37381



Holden

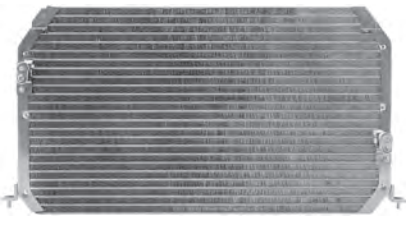


CN5022
Holden Apollo JM, JP, 3/93-5/97

Length: 742mm
Height: 443mm
Thickness: 22mm

Inlet: Pad
Outlet: Pad

RD7001




CN5022D
Holden Apollo JM, JP, 3/93-5/97

Length: 741mm
Height: 437mm
Thickness: 22mm

Inlet: Pad
Outlet: Pad

RD7001

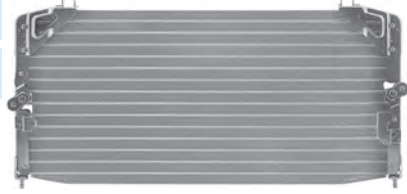


CN5021
Holden Apollo JK, JL, 8/89-3/93

Length: 695mm
Height: 313mm
Thickness: 22mm

Inlet: Pad
Outlet: Pad

RD7031, RD7005

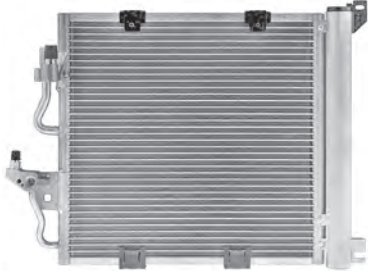


CN6336
Holden Astra AH, Diesel, 6/06>

Length: 403mm
Height: 381mm
Thickness: 16mm

Inlet: Pad
Outlet: Pad

RD6331

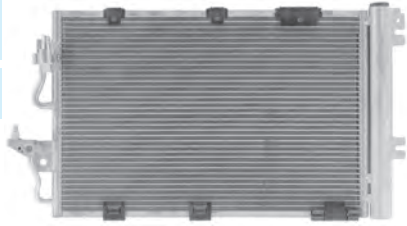


CN6330
Holden Astra AH, 2.0Lt Turbo, 06>

Length: 584mm
Height: 381mm
Thickness: 16mm

Inlet: Pad
Outlet: Pad

93178960
1850098




CN5525
Holden Astra AH, 1.9Lt Turbo Diesel

Length: 505mm
Height: 332mm
Thickness: 16mm

Inlet: Pad
Outlet: Pad

13171592
93182213

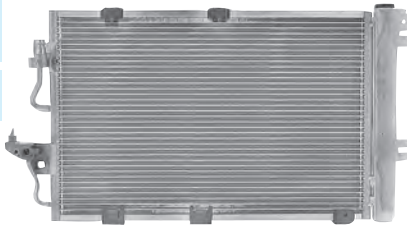


CN6333
Holden Astra AH, 11/04>

Length: 585mm
Height: 380mm
Thickness: 16mm

Inlet: Pad
Outlet: Pad

93178959
Auto Transmission




CN6331
Holden Astra AH, 04>

Length: 585mm
Height: 380mm
Thickness: 16mm

Inlet: Pad
Outlet: Pad

RD6331
Manual Transmission

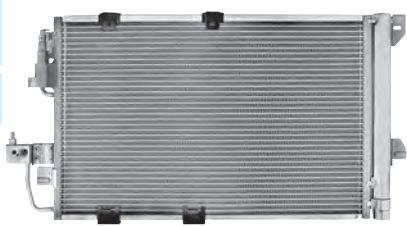


CN6321
Holden Astra TS Series II, 02>

Length: 625mm
Height: 380mm
Thickness: 17mm

Inlet: Pad
Outlet: Pad

RD4050
93170608

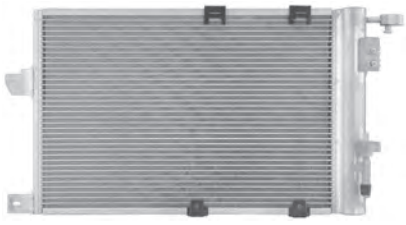


CN6319
Holden Astra TS, 9/98-11/01

Length: 620mm
Height: 382mm
Thickness: 16mm

Inlet: Pad
Outlet: Pad

RD6319
90130610
Up to VIN # 1H999999




CN5036
Holden Astra TR, 9/96-9/98

Length: 613mm
Height: 369mm
Thickness: 16mm

Inlet: Pad
Outlet: M18 x 1.5 FOR

RD6317
52464309

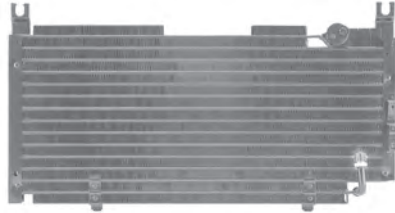


CN1172
Holden Astra LD, 7/87-8/89

Length: 678mm
Height: 312mm
Thickness: 22mm

Inlet: Pad
Outlet: # 6 MIOR

RD0134

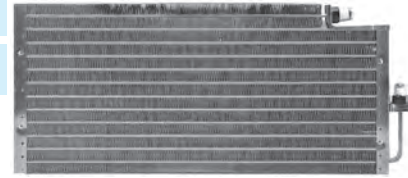


CN1069
Holden Astra LC, 2/86-6/87

Length: 678mm
Height: 310mm
Thickness: 22mm

Inlet: # 8 MF
Outlet: # 6 MF

RD0134



CN5625
Holden Barina TM, 11/11>

Length: 605mm
Height: 395mm
Thickness: 16mm

Inlet: Pad
Outlet: Pad

96943762



Picture unavailable at time of printing
refer www.cooldrive.com.au

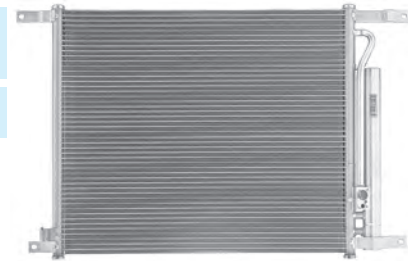
CN5617
Holden Barina TK, 09>

Length: 532mm
Height: 450mm
Thickness: 16mm

Inlet: Pad
Outlet: Pad

RD9698

96802950



CN5612
Holden Barina TK, 06>

Length: 585mm
Height: 415mm
Thickness: 16mm

Inlet: Pad
Outlet: Pad

RD9697

96539634



CN6326
Holden Barina XC, 03>

Length: 600mm
Height: 387mm
Thickness: 19mm

Inlet: Pad
Outlet: Pad

RD7093

FDR not included
93177215
From VIN # 44000001



CN6322
Holden Barina XC, 02-03
Holden Combo XC, 02-03

Length: 590mm
Height: 382mm
Thickness: 20mm

Inlet: Pad
Outlet: Pad

RD7059

24445193
Up to VIN # 3499999



CN6335
Holden Barina XC

Length: 591mm
Height: 383mm
Thickness: 16mm

Inlet: Pad
Outlet: Pad

RD7093



CN6318
Holden Barina SB, 4/94-2/01

Length: 661mm
Height: 305mm
Thickness: 16mm

Inlet: Pad
Outlet: Pad

RD9775

Factory fitted air



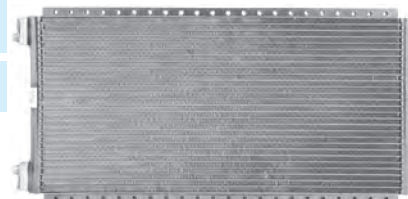
CN7033
Holden Barina SB, 4/94-2/01
Holden Combo SB, 2/96-01

Length: 610mm
Height: 305mm
Thickness: 20mm

Inlet: Pad
Outlet: Pad

RD7049

Air International System

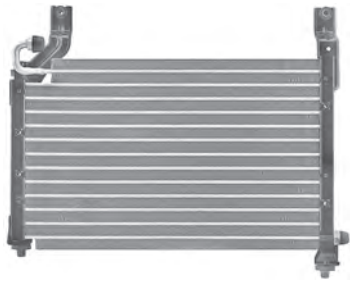


CN5214
Holden Barina MF, MH, 1/89-3/94

Length: 490mm
Height: 290mm
Thickness: 22mm

Inlet: # 8 MIOR
Outlet: # 5 MIOR

RD7005

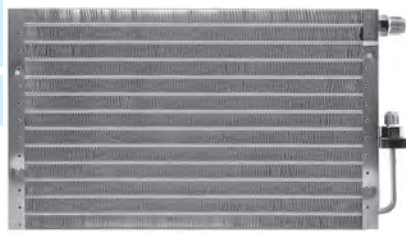


CN1381
Holden Barina MF, MH, 89-94

Length: 508mm
Height: 305mm
Thickness: 22mm

Inlet: # 8 MIOR
Outlet: # 6 MIOR

Air International System



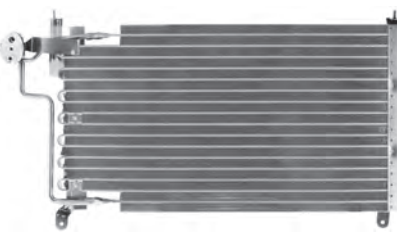
CN5037
Holden Calibra YE, 9/91-10/95

Length: 650mm
Height: 352mm
Thickness: 26mm

Inlet: Pad
Outlet: Pad

RD9775

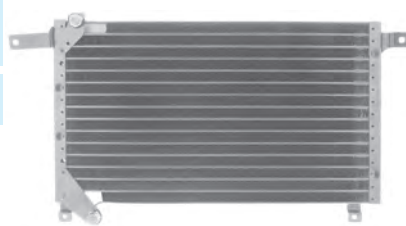
R12 Fitting Profile
90358557



CN1105
Holden Camira JB, 3/83-10/84

Length: 643mm
Height: 362mm
Thickness: 22mm


Inlet: # 8 MIOR
Outlet: # 6 MIOR



CN5535
Holden Captiva CG, 2.2Lt Turbo Diesel, 2/11>

Length: 677mm
Height: 327mm
Thickness: 16mm

Inlet: Pad
Outlet: Pad

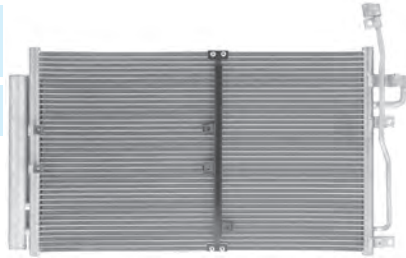


CN5532
Holden Captiva CG, 2.0Lt Turbo Diesel, 3/07>

Length: 670mm
Height: 382mm
Thickness: 17mm

Inlet: Pad
Outlet: Pad

96805196
Auto Transmission

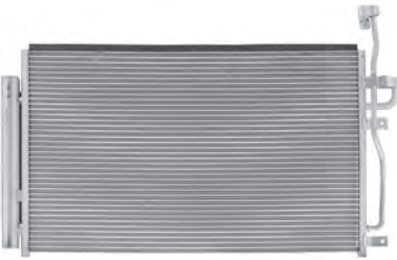


CN5530
Holden Captiva CG, 2.0Lt Turbo Diesel, 3/07>

Length: 665mm
Height: 405mm
Thickness: 16mm

Inlet: Pad
Outlet: Pad

96629581
Manual Transmission

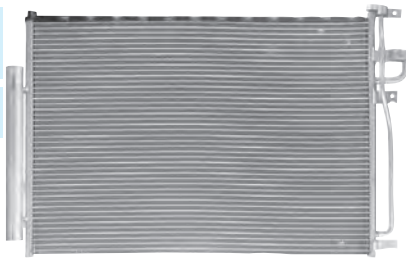


CN5528
Holden Captiva CG, 3.2Lt V6 Petrol, 10/06>

Length: 670mm
Height: 453mm
Thickness: 16mm

Inlet: Pad
Outlet: Pad

96436393

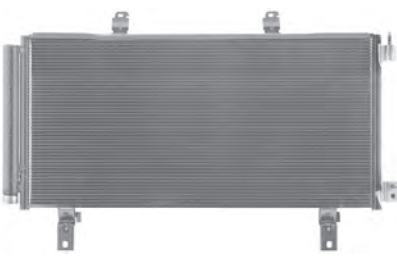


CN6314J
Holden Commodore VE, Series II (Late)

Length: 727mm
Height: 347mm
Thickness: 16mm

Inlet: Pad
Outlet: Pad

92251626
From VIN L600000




CN6337J
Holden Commodore VE, 6 & 8 cyl, 8/06>

Length: 697mm
Height: 367mm
Thickness: 15mm

Inlet: Pad
Outlet: Pad

RD6337

92191927
Up to VIN L599999
OR2025, OR4812



CN6329

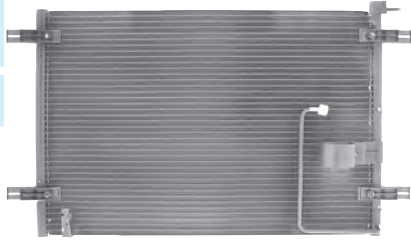
Holden Commodore VZ, 8/04-8/07

Length: 660mm
Height: 425mm
Thickness: 19mm

Inlet: Pad
Outlet: # 5 FOR

RD6118

92148168



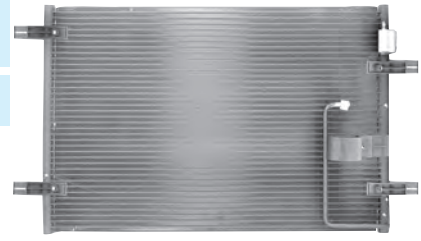
CN6325

Holden Commodore VY, 10/02-8/04
Holden Statesman WK, 4/03>

Length: 660mm
Height: 420mm
Thickness: 19mm

Inlet: Pad
Outlet: # 5 FOR

RD6129



CN6317

Holden Commodore VT, VX, 9/97-9/02
Holden Statesman WH, 6/99-4/03
Holden Commodore VU Ute, 2/01-9/02

Length: 740mm
Height: 383mm
Thickness: 18mm

Inlet: Pad
Outlet: # 5 FOR

RD6118



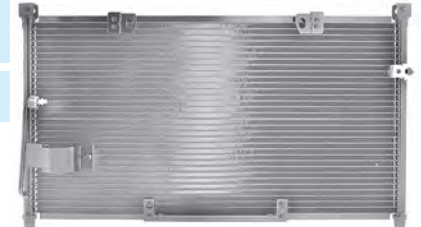
CN6315

Holden Commodore VR, VS, 6 & 8 cyl, 7/93-9/97

Length: 660mm
Height: 342mm
Thickness: 16mm

Inlet: Pad
Outlet: # 5 FOR

RD6108



CN6310

Holden Commodore VN, VP, 5.0Lt V8, 8/88-8/93
Holden Statesman VQ Series I & II, 5.0Lt V8, 11/91-2/94
Holden Commodore VG Ute, 5.0Lt V8, 8/88-8/93

Length: 620mm
Height: 352mm
Thickness: 16mm

Inlet: # 8 FOR
Outlet: # 6 MIOR

RD6023

04-20962-AM



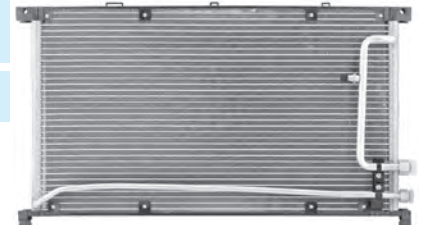
CN6305

Holden Commodore VN, VP, 3.8Lt V6, 8/88-8/93
Holden Statesman VQ Series II, 3.8Lt V6, 11/91-2/94
Holden Commodore VG Ute, 3.8Lt V6, 8/88-8/93

Length: 622mm
Height: 358mm
Thickness: 16mm

Inlet: # 8 FOR
Outlet: # 6 FOR

RD6023



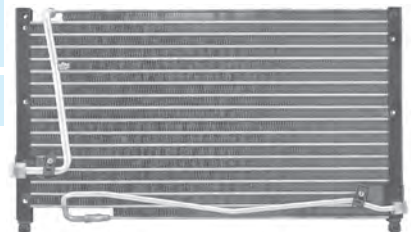
CN5310

Holden Commodore VN, V8, 9/88-91

Length: 660mm
Height: 360mm
Thickness: 25mm

Inlet: # 8 FOR
Outlet: # 6 MIOR

RD6023



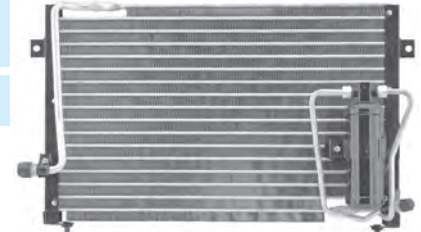
CN5192

Holden Commodore VL, V8, 10/86-8/88

Length: 584mm
Height: 359mm
Thickness: 25mm

Inlet: # 8 MIOR
Outlet: # 6 MIOR

RD0134 (OE)
RD6159 (Jayair)



CN1997

Holden Commodore VK, 84-86

Length: 584mm
Height: 355mm
Thickness: 22mm

Inlet: # 8 MIOR
Outlet: # 6 MIOR



CN1054

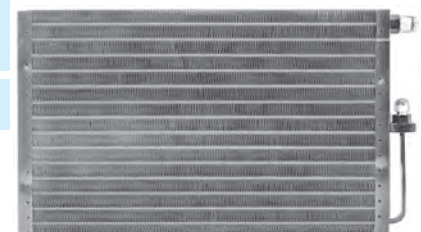
Holden Commodore Late VB, VC, VH

Length: 584mm
Height: 355mm
Thickness: 22mm

Inlet: # 8 MF
Outlet: # 6 MF

RD0134

R12 Fitting Profile




CN6554
Holden Cruze JG, JH, 1.4Lt Diesel, 09>

Length: 667mm
Height: 396mm
Thickness: 16mm

Inlet: Pad
Outlet: Pad

13267649




CN6553
Holden Cruze JG, JH, Petrol, 09>

Length: 575mm
Height: 395mm
Thickness: 16mm

Inlet: Pad
Outlet: Pad

13267648
Manual Transmission

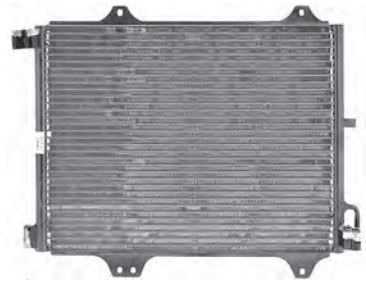


CN5435
Holden Cruze, YG, 6/02-6/06

Length: 460mm
Height: 342mm
Thickness: 16mm

Inlet: Pad
Outlet: Pad

RD7078
92125247




CN5626
Holden Epica, Diesel, 10>

Length: 646mm
Height: 383mm
Thickness: 18mm

Inlet: Pad
Outlet: Pad

96992839
96472206

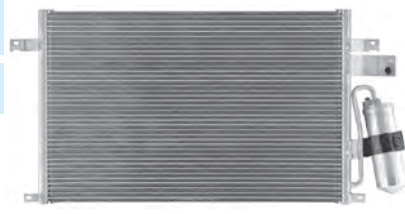


CN5526
Holden Epica, 06>

Length: 640mm
Height: 384mm
Thickness: 17mm

Inlet: Pad
Outlet: Pad

RD7196
96471946

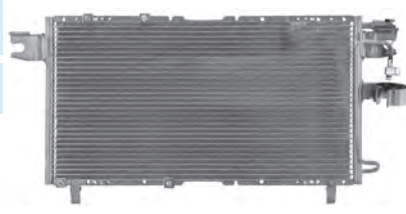


CN7040
Holden Frontera UES, 99>

Length: 620mm
Height: 329mm
Thickness: 20mm

Inlet: Pad
Outlet: Pad

RD7041
8972050780

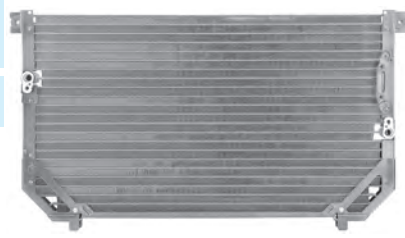


CN7018
Holden Jackaroo UBS92, UBS98, Petrol & Diesel, 4/92-04

Length: 700mm
Height: 370mm
Thickness: 22mm

Inlet: Pad
Outlet: Pad

RD7028

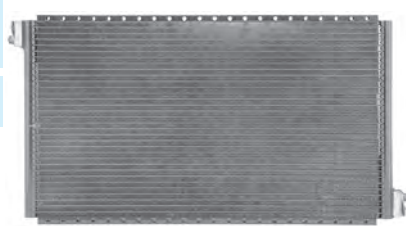


CN7026
Holden Jackaroo UBS92, Petrol & Diesel, 4/92-1/98

Length: 610mm
Height: 360mm
Thickness: 21mm

Inlet: Pad
Outlet: Pad

RD6109
Air International System

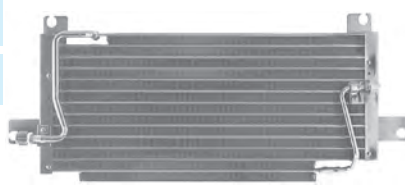


CN7025
Holden Jackaroo UBS87, Petrol & Diesel, 3/87-4/92

Length: 615mm
Height: 272mm
Thickness: 26mm

Inlet: # 8 MIOR
Outlet: # 6 MIOR

R12 Fitting Profile

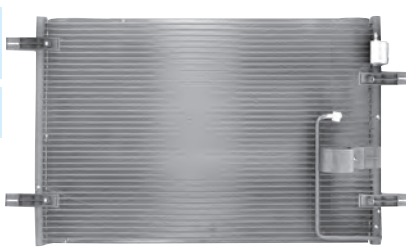


CN6325
Holden Monaro CV6 & CV8, 03>

Length: 660mm
Height: 420mm
Thickness: 19mm

Inlet: Pad
Outlet: # 5 FOR

RD6129
From VIN # L924425



CN6317

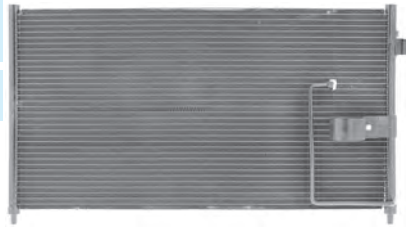
Holden Monaro CV6 & CV8 12/01-03

Length: 740mm
Height: 383mm
Thickness: 18mm

Inlet: Pad
Outlet: # 5 FOR

RD6118

Up To VIN # L924424



CN5094

Holden Nova LG, 9/94-97

Length: 738mm
Height: 341mm
Thickness: 22mm

Inlet: Pad
Outlet: M16 x 1.5 MIOR

RD7028



CN5094D

Holden Nova LG, 9/94-97

Length: 738mm
Height: 344mm
Thickness: 22mm

Inlet: Pad
Outlet: M16 x 1.5 MIOR

RD7028

R134a Fitting Profile



CN5093

Holden Nova LF, 8/91-8/94

Length: 695mm
Height: 313mm
Thickness: 22mm

Inlet: Pad
Outlet: Pad

RD7027, RD7001

R134a Fitting Profile



CN5092

Holden Nova LE, LF, 7/89-8/94

Length: 695mm
Height: 295mm
Thickness: 22mm

Inlet: Pad
Outlet: Pad

RD7003

R12 Fitting Profile



CN7046

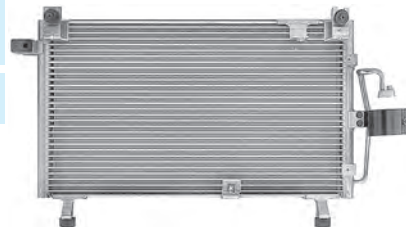
Holden Rodeo RA03, Diesel, 3/03>

Length: 605mm
Height: 335mm
Thickness: 22mm

Inlet: Pad
Outlet: Pad

RD7079

92148015



CN7045

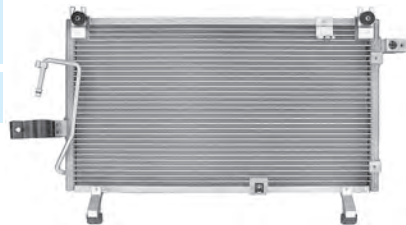
Holden Rodeo RA03, Petrol, 3/03>

Length: 605mm
Height: 335mm
Thickness: 22mm

Inlet: Pad
Outlet: Pad

RD7079

92148014

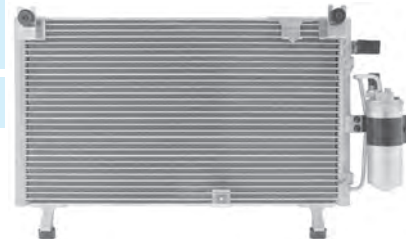


CN7065

Holden Rodeo, Diesel, 07>

Length: 605mm
Height: 335mm
Thickness: 25mm

Inlet: Pad
Outlet: Pad



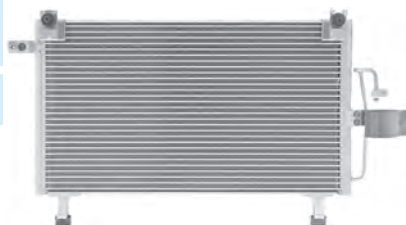
CN7016

Holden Rodeo, 3.6Lt V6, 03-09

Length: 604mm
Height: 333mm
Thickness: 22mm

Inlet: Pad
Outlet: Pad

92188745



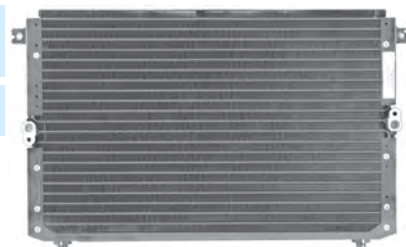
CN7009

Holden Rodeo TF99, 4/98>

Length: 607mm
Height: 385mm
Thickness: 22mm

Inlet: Pad
Outlet: Pad

RD6109

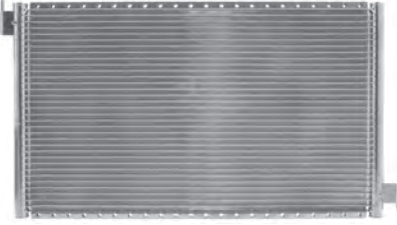


CN7010
Holden Rodeo TF97, TF99
Petrol & Diesel, 4/98-8/01

Length: 600mm
Height: 355mm
Thickness: 21mm

Inlet: Pad C.O Ring #8
Outlet: Pad C.O Ring #5

RD6109



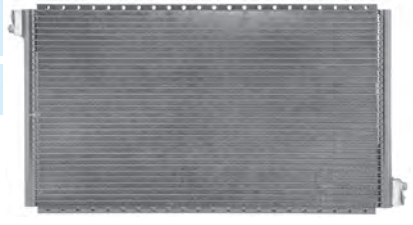
CN7026
Holden Rodeo TF93, 97, 99
Petrol & Diesel, 9/93-10/99

Length: 610mm
Height: 360mm
Thickness: 21mm

Inlet: Pad
Outlet: Pad

RD6109

Air International System

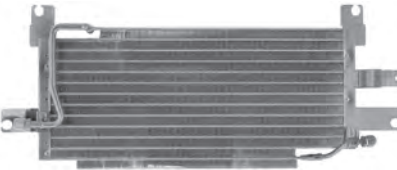


CN7027
Holden Rodeo TF88, 93
Petrol & Diesel, 2/88-8/93

Length: 615mm
Height: 272mm
Thickness: 22mm

Inlet: # 8 MIOR
Outlet: # 6 MIOR

RD0408 (early models)
 RD6109

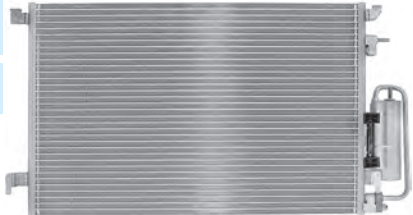


CN6327
Holden Vectra ZC, 3/03-12/06

Length: 660mm
Height: 415mm
Thickness: 16mm

Inlet: Pad
Outlet: Pad

RD7097



CN5079
Holden Vectra JS II, 8/99-11/02

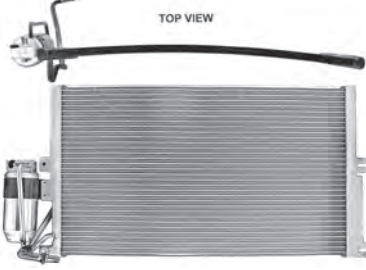
Length: 640mm
Height: 370mm
Thickness: 21mm

Inlet: Pad
Outlet: Pad

RD6316

52485274

TOP VIEW



CN6316
Holden Vectra JR, JS I, 6/97-8/99

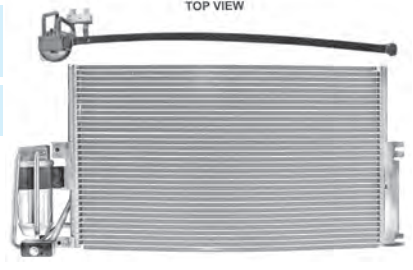
Length: 660mm
Height: 370mm
Thickness: 20mm

Inlet: Pad
Outlet: Pad

RD6316

52466908

TOP VIEW




CN5613
Holden Viva, 9/05-5/09

Length: 645mm
Height: 395mm
Thickness: 19mm

Inlet: Pad
Outlet: Pad

RD5613

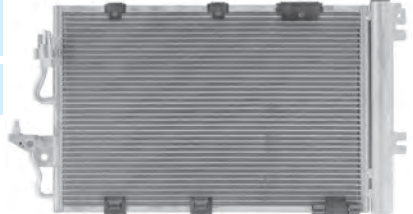


CN6330
Holden Zafira, 06>

Length: 584mm
Height: 381mm
Thickness: 16mm

Inlet: Pad
Outlet: Pad

93178960
 1850098



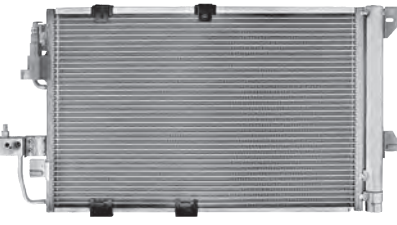
CN6321
Holden Zafira TT, 02-5/06

Length: 625mm
Height: 380mm
Thickness: 17mm

Inlet: Pad
Outlet: Pad

RD4050

93170608



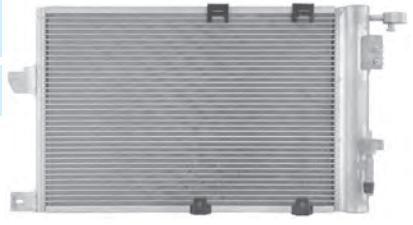
CN6319
Holden Zafira TT, 6/01-5/06

Length: 620mm
Height: 382mm
Thickness: 16mm

Inlet: Pad
Outlet: Pad

RD6319

90130610
 Up to VIN # 1H999999





Honda

CN5514
Honda Accord CP, 08>

Length: 707mm
Height: 357mm
Thickness: 16mm

Inlet: Pad
Outlet: Pad

80110-TC0-Z01



Picture unavailable at time of printing
refer www.cooldrive.com.au

CN5280
Honda Accord, 6 cyl, 10/97-03

Length: 646mm
Height: 358mm
Thickness: 17mm

Inlet: Pad
Outlet: Pad

RD7168

80100-S87-A00



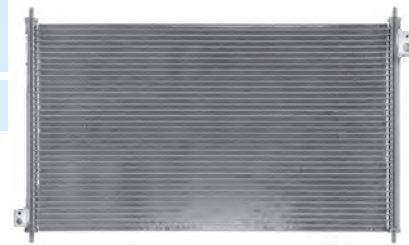
CN5279
Honda Accord, 4 cyl, 10/97-03

Length: 648mm
Height: 357mm
Thickness: 16mm

Inlet: Pad
Outlet: Pad

RD7168

80100-S84-A00



CN5275
Honda Accord CD, 10/93-10/97

Length: 612mm
Height: 331mm
Thickness: 16mm

Inlet: Pad
Outlet: Pad

RD7001

80100-SV4-003



CN5266
Honda Accord CA, 10/85-10/89

Length: 695mm
Height: 320mm
Thickness: 22mm

Inlet: Pad
Outlet: # 6 MIOR

RD6310

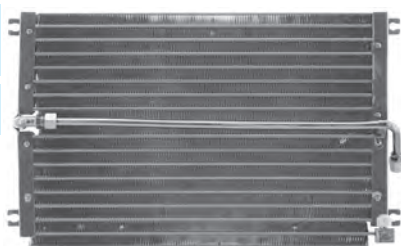
80100-SEQ-J41



CN5265
Honda Accord SY, 82-83

Length: 558mm
Height: 353mm
Thickness: 22mm

Inlet: # 8 MIOR
Outlet: # 5 MIOR



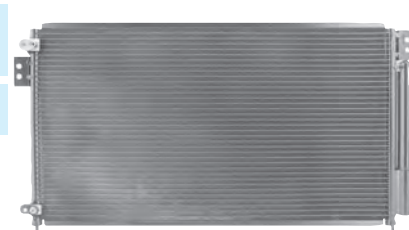
CN5259
Honda Accord, 4 cyl

Length: 688mm
Height: 380mm
Thickness: 16mm

Inlet: Pad
Outlet: Pad

RD4050

80110-SDE-Q01



CN5269
Honda Accord

Length: 600mm
Height: 320mm
Thickness: 15mm

Inlet: Pad
Outlet: Pad

R134a Fitting Profile
Export Only

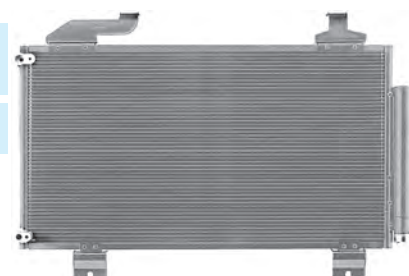


CN5510
Honda Accord Euro, 3/08>

Length: 686mm
Height: 372mm
Thickness: 16mm

Inlet: Pad
Outlet: Pad

80100-TL2-A01

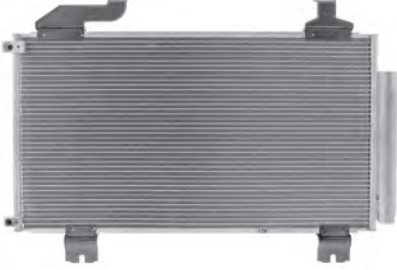


CN5510CG
Honda Accord Euro, 3/08>

Length: 686mm
Height: 372mm
Thickness: 16mm

Inlet: Pad
Outlet: Pad

80100-TL2-A01

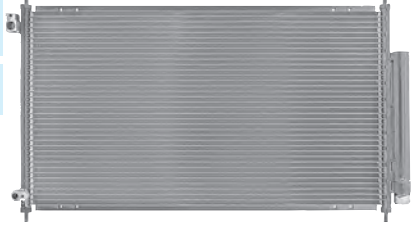


CN5260
Honda Accord Euro, V6, 03>

Length: 692mm
Height: 380mm
Thickness: 17mm

Inlet: Pad
Outlet: Pad

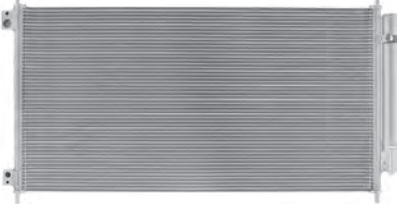
RD4050



CN5628
Honda City, 09>

Length: 697mm
Height: 348mm
Thickness: 16mm

Inlet: Pad
Outlet: Pad




CN5508
Honda Civic, 08>

Length: 640mm
Height: 330mm
Thickness: 16mm

Inlet: Pad
Outlet: Pad

80110-SNL-A03
80110-SNL-A04




CN5506
Honda Civic, including Hybrid, 06-07

Length: 665mm
Height: 380mm
Thickness: 16mm

Inlet: Pad
Outlet: Pad

RD7106

80110-SNA-A01




CN5501
Honda Civic, 05>

Length: 643mm
Height: 377mm
Thickness: 16mm

Inlet: Pad
Outlet: Pad

RD4050

80110-SNL-A01



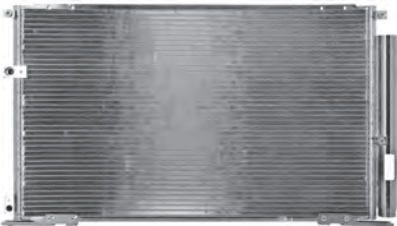
CN5501CG
Honda Civic, 05>

Length: 643mm
Height: 377mm
Thickness: 16mm

Inlet: Pad
Outlet: Pad

RD4050

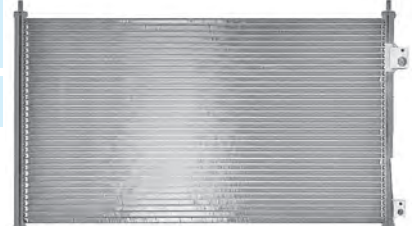
80110-SNL-A01



CN5366
Honda Civic, Hybrid, 3/04-1/06

Length: 648mm
Height: 348mm
Thickness: 16mm

Inlet: Pad
Outlet: Pad



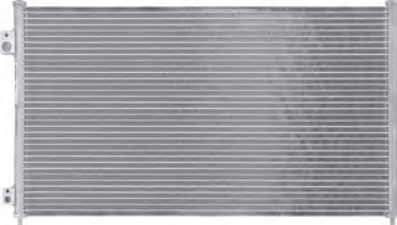
CN5367
Honda Civic, 5 Door, 01-04

Length: 647mm
Height: 360mm
Thickness: 16mm

Inlet: Pad
Outlet: Pad

RD7168

80110-S6A-G01




CN5344
Honda Civic ES, Sedan, 10/00-03

Length: 650mm
Height: 370mm
Thickness: 22mm

Inlet: Pad
Outlet: Pad

RD7168

80110-S5A-003
Will Not Fit 5DR Hatch

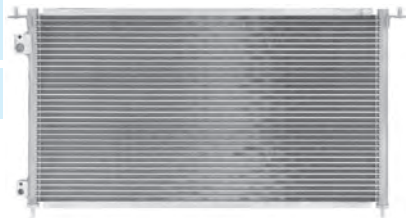


CN5365
Honda Civic, Hatchback, 00>

Length: 648mm
Height: 350mm
Thickness: 16mm

Inlet: Pad
Outlet: Pad

80110-S5T-E01



CN5274
Honda Civic EK Sedan, 10/95-10/00
Honda Civic EJ, EM, Coupe, 3/99-11/00

Length: 375mm
Height: 352mm
Thickness: 21mm

Inlet: Pad
Outlet: Pad

RD7168

80110-S01-A11



CN5273
Honda Civic, 10/93-10/97

Length: 380mm
Height: 330mm
Thickness: 25mm

Inlet: Pad
Outlet: Pad

RD7022

R12 Fitting Profile



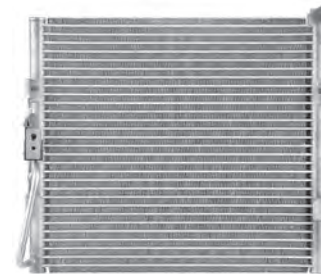
CN5268
Honda Civic EH, 10/93-10/95

Length: 380mm
Height: 328mm
Thickness: 16mm

Inlet: Pad
Outlet: Pad

RD7022

80110-SR3-023



CN5267
Honda Civic EG, 10/91-10/93
Honda Concerto, 10/91-10/93

Length: 380mm
Height: 330mm
Thickness: 16mm

Inlet: Pad
Outlet: Pad

RD7016

80110-SR3-013



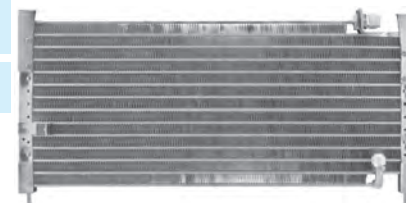
CN5261
Honda Civic ED, 10/87-10/91
Honda Concerto MA, 1.5Lt, 11/88-10/91

Length: 662mm
Height: 287mm
Thickness: 25mm

Inlet: # 8 MIOR
Outlet: # 6 MIOR

RD7021

80100-SH3-003
80100-SH3-013
80100-SH3-023



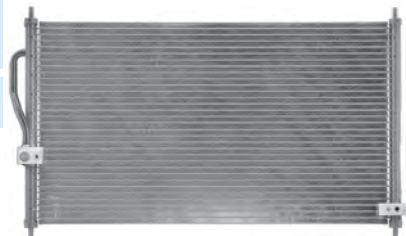
CN5271
Honda Concerto, 91-93
Honda CRV, 9/97-2/01

Length: 595mm
Height: 320mm
Thickness: 16mm

Inlet: Pad
Outlet: Pad

RD7168

80110-ST7-003



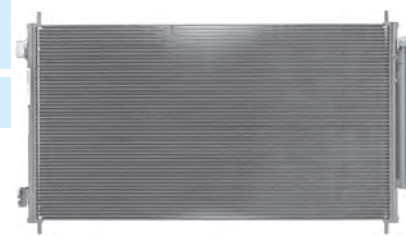
CN6530
Honda CRV, 2/07>

Length: 704mm
Height: 370mm
Thickness: 17mm

Inlet: Pad
Outlet: Pad

RD4050

80110-SWA-A01



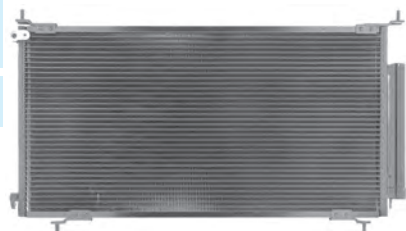
CN5288
Honda CRV, 02-04

Length: 710mm
Height: 370mm
Thickness: 16mm

Inlet: Pad
Outlet: Pad

RD4050

80110-G9A-003



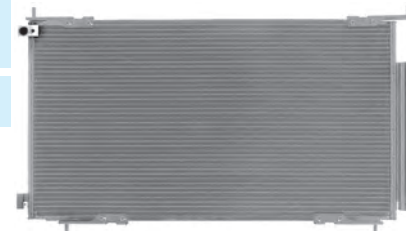
CN5288CG
Honda CRV, 02-04

Length: 710mm
Height: 370mm
Thickness: 16mm

Inlet: Pad
Outlet: Pad

RD4050

80110-S9A-003




CN5268
Honda CRX EH, 10/93-10/97

Length: 380mm
Height: 328mm
Thickness: 16mm

Inlet: Pad
Outlet: Pad

RD7022

80110-SR3-023




CN5273
Honda CRX, 10/93-10/97

Length: 380mm
Height: 330mm
Thickness: 25mm

Inlet: Pad
Outlet: Pad

RD7022

R12 Fitting Profile



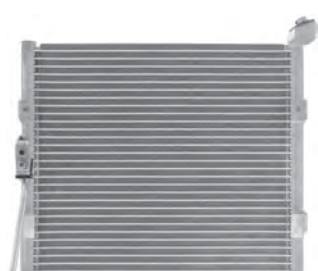
CN5267
Honda CRX EG, 10/91-10/93

Length: 380mm
Height: 330mm
Thickness: 16mm

Inlet: Pad
Outlet: Pad

RD7016

80110-SR3-013



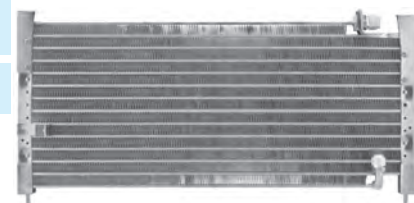
CN5261
Honda CRX ED, 11/88-10/91

Length: 662mm
Height: 287mm
Thickness: 25mm

Inlet: # 8 MIOR
Outlet: # 6 MIOR

RD7021

80100-SH3-003
80100-SH3-013
80100-SH3-023




CN5308
Honda HRV Sports, 10/99>

Length: 375mm
Height: 380mm
Thickness: 16mm

Inlet: Pad
Outlet: Pad

RD7168

80110-S2H-003




CN5274
Honda HRV, 1/99>

Length: 375mm
Height: 352mm
Thickness: 21mm

Inlet: Pad
Outlet: Pad

RD7168

80110-S01-A11

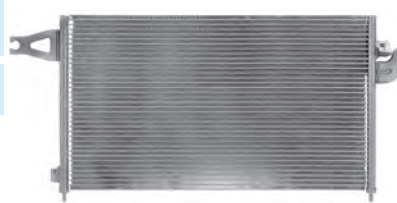


CN6323
Honda Integra DC, 11/01>

Length: 645mm
Height: 358mm
Thickness: 16mm

Inlet: Pad
Outlet: Pad

RD7168



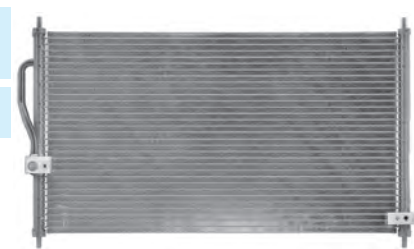
CN5271
Honda Integra DC, 6/93-11/01

Length: 595mm
Height: 320mm
Thickness: 16mm

Inlet: Pad
Outlet: Pad

RD7168

80110-ST7-003

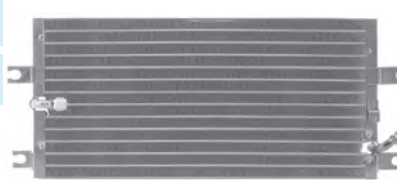


CN5262
Honda Integra DA, 5/86-5/89

Length: 674mm
Height: 312mm
Thickness: 22mm

Inlet: # 8 MIOR
Outlet: # 6 MIOR

38600-SD2-A22




CN6343
Honda Jazz GE, 8/08>

Length: 745mm
Height: 322mm
Thickness: 16mm

Inlet: Pad
Outlet: Pad

80110-TF0-G01




CN6328
Honda Jazz, 10/04-7/08

Length: 750mm
Height: 323mm
Thickness: 16mm

Inlet: Pad
Outlet: Pad

RD4050

80110-SAA-013
Jayair: CN6328J




CN6328CG
Honda Jazz, 10/04-7/08

Length: 750mm
Height: 323mm
Thickness: 16mm

Inlet: Pad
Outlet: Pad

RD4050

80110-SAA-013
Jayair: CN6328J




CN5226
Honda Jazz, 10/02-9/04

Length: 400mm
Height: 415mm
Thickness: 16mm

Inlet: Pad
Outlet: Pad

RD4050

80110-SAA-J01




CN6547
Honda MDX, 03>

Length: 677mm
Height: 500mm
Thickness: 16mm

Inlet: Pad
Outlet: Pad

RD4050



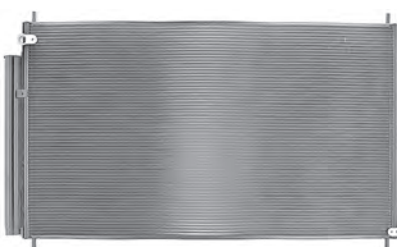
CN5314
Honda Odyssey, 04>

Length: 745mm
Height: 427mm
Thickness: 16mm

Inlet: Pad
Outlet: Pad

RD4050

Jayair: CN5314J




CN5314CG
Honda Odyssey, 04>

Length: 745mm
Height: 427mm
Thickness: 16mm

Inlet: Pad
Outlet: Pad

RD4050

Jayair: CN5314J




CN6546
Honda Odyssey, 99-02

Length: 677mm
Height: 500mm
Thickness: 16mm

Inlet: Pad
Outlet: Pad

RD4050

80110-SOX-A01




CN5286
Honda Odyssey, 4 cyl, 11/99>

Length: 650mm
Height: 420mm
Thickness: 17mm

Inlet: Pad
Outlet: Pad

RD7054

80110-S3N-0030



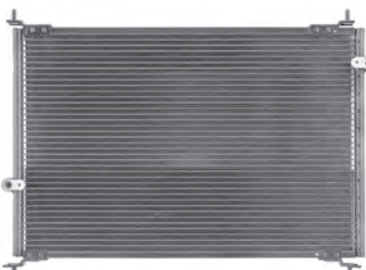
CN5285
Honda Odyssey, 1/95-1/99

Length: 610mm
Height: 400mm
Thickness: 16mm

Inlet: Pad
Outlet: Pad

RD7027

80110-SX0-003



CN6572
Honda Odyssey

Length:
Height:
Thickness:

Inlet: Pad
Outlet: Pad

80110-S3R-003
Dual A/C

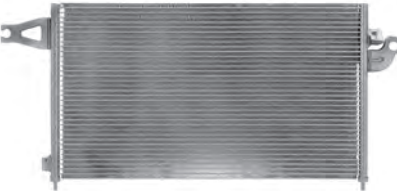

 Picture unavailable at time of printing
 refer www.cooldrive.com.au

CN6323
Honda Prelude, 01>

Length: 645mm
Height: 358mm
Thickness: 16mm

Inlet: Pad
Outlet: Pad

RD7168

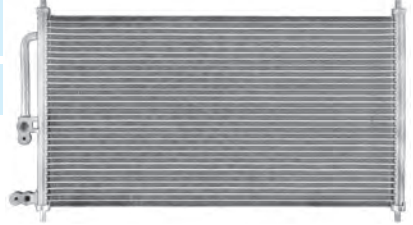


CN5270
Honda Prelude BB, 12/91-10/96

Length: 595mm
Height: 307mm
Thickness: 16mm

Inlet: Pad
Outlet: Pad

RD6109 (93>)
80110-SS0-003
4WS




CN5263
Honda Prelude B20A6, 10/87-11/91

Length: 657mm
Height: 320mm
Thickness: 22mm

Inlet: # 8 MIOR
Outlet: # 6 MIOR

RD6159, RD6759
80100-SF1-J01
4WS




CN5262
Honda Prelude BA, 1/86-9/87

Length: 674mm
Height: 312mm
Thickness: 22mm

Inlet: # 8 MIOR
Outlet: # 6 MIOR

38600-SD2-A22

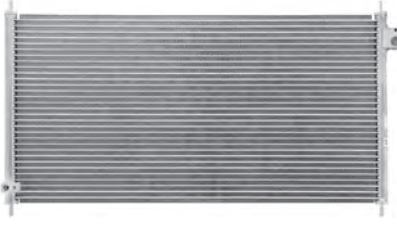


CN6548
Honda S2000, 8/99-7/09

Length: 649mm
Height: 320mm
Thickness: 16mm

Inlet: Pad
Outlet: Pad

80110-S30-003





CN5531
Hyundai Accent, 06>

Length: 650mm
Height: 342mm
Thickness: 16mm

Inlet: Pad
Outlet: Pad

97606-1E000




CN5416
Hyundai Accent, 9/99>

Length: 611mm
Height: 355mm
Thickness: 18mm

Inlet: Pad
Outlet: Pad

RD6311
97606-25500
Auto Transmission

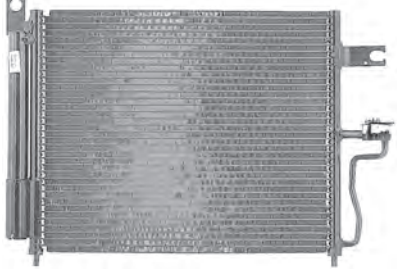


CN5415
Hyundai Accent, 9/99>

Length: 447mm
Height: 355mm
Thickness: 18mm

Inlet: Pad
Outlet: Pad

RD6311
97606-25600
Manual Transmission

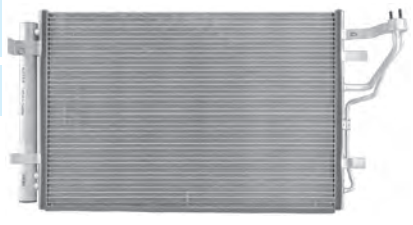


CN5524
Hyundai Elantra, 06>

Length: 610mm
Height: 391mm
Thickness: 22mm

Inlet: Pad
Outlet: Pad

97606-2H000



CN5234
Hyundai Elantra Lavita, 10/01>

Length: 650mm
Height: 370mm
Thickness: 19mm

Inlet: Pad
Outlet: Pad

97606-17000



CN5228
Hyundai Elantra XD, 10/00>

Length: 645mm
Height: 358mm
Thickness: 16mm

Inlet: Pad
Outlet: Pad

RD4050



CN5089
Hyundai Excel X3, 8/94-9/99

Length: 582mm
Height: 343mm
Thickness: 22mm

Inlet: Pad
Outlet: Pad

RD7029

97606-22050



CN5097
Hyundai Excel X2, 7/91-7/94

Length: 564mm
Height: 338mm
Thickness: 22mm

Inlet: FSL
Outlet: Pad

RD6026, RD6027

97606-24011



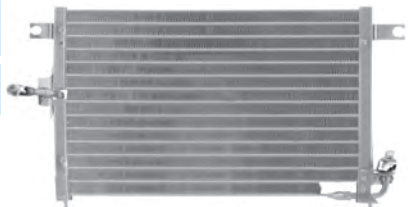
CN5095
Hyundai Excel X2, 6/89-7/91

Length: 566mm
Height: 336mm
Thickness: 25mm

Inlet: FSL
Outlet: Pad

RD6026

Y0450047

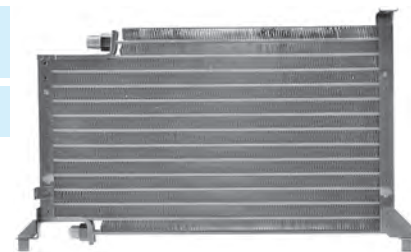


CN9510
Hyundai Excel X1, 5/86-6/89

Length: 566mm
Height: 331mm
Thickness: 22mm

Inlet: # 8 MIOR
Outlet: # 6 MIOR

YH4320401

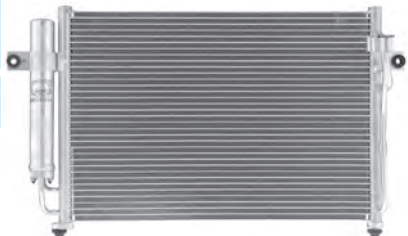


CN5619
Hyundai Getz, 06-09

Length: 543mm
Height: 345mm
Thickness: 17mm

Inlet: Pad
Outlet: Pad

97606-1C350



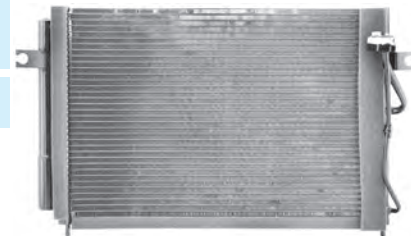
CN5610
Hyundai Getz, 9/02>

Length: 545mm
Height: 350mm
Thickness: 18mm

Inlet: Pad
Outlet: Pad

RD4050

97606-1C100



CN5498
Hyundai Grandeur, 6/05>

Length: 718mm
Height: 341mm
Thickness: 16mm

Inlet: Pad
Outlet: Pad

RD4050

97606-3L180



CN5137
Hyundai Grandeur XG, 7/99>

Length: 725mm
Height: 334mm
Thickness: 18mm

Inlet: Pad
Outlet: Pad

RD7189

97606-38001

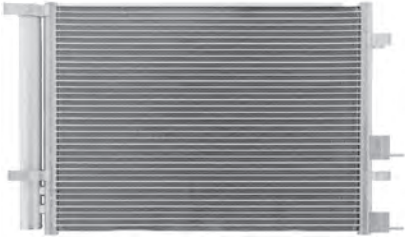


CN5694
Hyundai i20, 1.4, 1.6Lt Petrol, 10>

Length: 529mm
Height: 364mm
Thickness: 17mm

Inlet: Pad
Outlet: Pad

97606-1J000




CN5524
Hyundai i30, 09>

Length: 610mm
Height: 391mm
Thickness: 22mm

Inlet: Pad
Outlet: Pad

97606-2H000




CN9511
Hyundai i30, 1.6Lt Turbo Diesel, 10/07>

Length: 515mm
Height: 392mm
Thickness: 12mm

Inlet: Pad
Outlet: Pad

97606-2L600




CN5557
Hyundai i45, 5/10>

Length: 718mm
Height: 385mm
Thickness: 16mm

Inlet: Pad
Outlet: Pad

97606-3R000

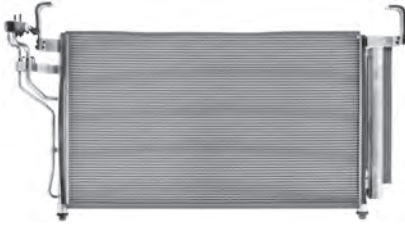


CN5624
Hyundai iLoad, 08>
Hyundai iMax, 08>

Length: 725mm
Height: 398mm
Thickness: 16mm

Inlet: Pad
Outlet: Pad

97606-4H000
97606-4H200




CN5552
Hyundai iX35, 2.0, 2.4Lt Petrol, 10>

Length: 710mm
Height: 390mm
Thickness: 12mm

Inlet: Pad
Outlet: Pad

97606-2S500




CN5556
Hyundai iX35, 2.0Lt Diesel, 10>

Length: 550mm
Height: 390mm
Thickness: 12mm

Inlet: Pad
Outlet: Pad

97606-2S000

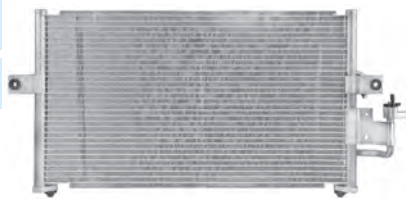


CN5186
Hyundai Lantra J2 Facelift, 5/98-6/00

Length: 641mm
Height: 352mm
Thickness: 19mm

Inlet: Pad
Outlet: Pad

RD7186
97606-29100
97606-27000




CN5088
Hyundai Lantra J2, 5/95-5/98

Length: 640mm
Height: 352mm
Thickness: 19mm

Inlet: Pad
Outlet: Pad

RD7186
Requires AL5088




CN5099
Hyundai Lantra, 5/93-5/95

Length: 576mm
Height: 329mm
Thickness: 20mm

Inlet: Pad
Outlet: Pad

F200-FF94A



CN5097
Hyundai S Coupe, 6/91-7/92

Length: 564mm
Height: 338mm
Thickness: 22mm

Inlet: FSL
Outlet: Pad

RD6026, RD6027

97606-24011



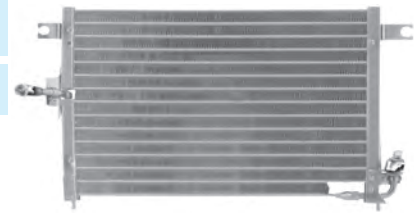
CN5095
Hyundai S Coupe, 3/90-6/91

Length: 566mm
Height: 336mm
Thickness: 25mm

Inlet: FSL
Outlet: Pad

RD6026

Y0450047

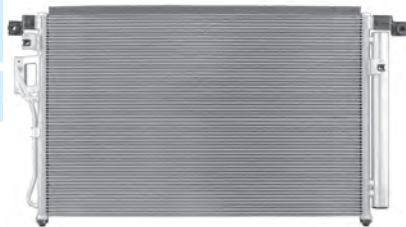


CN5317
Hyundai Santa Fe, 06>

Length: 714mm
Height: 424mm
Thickness: 16mm

Inlet: Pad
Outlet: Pad

97606-2B100

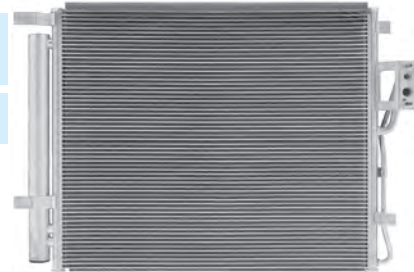


CN5429
Hyundai Santa Fe, Diesel, 10>

Length: 540mm
Height: 425mm
Thickness: 16mm

Inlet: Pad
Outlet: Pad

97606-2B700



CN5421
Hyundai Santa Fe, 11/00-10/03

Length: 676mm
Height: 342mm
Thickness: 20mm

Inlet: Pad
Outlet: Pad

RD6311

97606-26000



CN5498
Hyundai Sonata NF, 6/05>

Length: 718mm
Height: 341mm
Thickness: 16mm

Inlet: Pad
Outlet: Pad

RD4050

97606-3L180



CN5481
Hyundai Sonata, 1/05>

Length: 705mm
Height: 342mm
Thickness: 18mm

Inlet: Pad
Outlet: Pad

97606-38004



CN5137
Hyundai Sonata EF, EF-B, 5/98>

Length: 725mm
Height: 334mm
Thickness: 18mm

Inlet: Pad
Outlet: Pad

RD7189

97606-38001



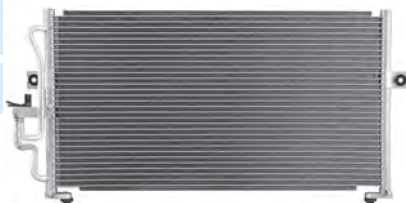
CN5041
Hyundai Sonata, 10/94-8/98

Length: 679mm
Height: 352mm
Thickness: 18mm

Inlet: Pad
Outlet: Pad

RD7184

97606-34001
97606-34003
Will not fit >10/94



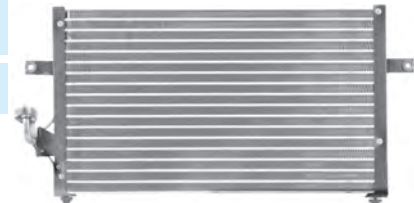
CN5123
Hyundai Sonata, V6, 3/91-7/93

Length: 636mm
Height: 359mm
Thickness: 26mm

Inlet: Pad
Outlet: Pad

RD7188

97606-33300

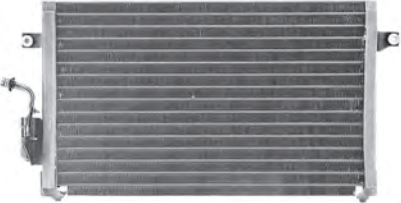


CN5096
Hyundai Sonata, 4 & 6 cyl, 2/89-3/91

Length: 659mm
Height: 384mm
Thickness: 25mm

Inlet: MSL
Outlet: FSL

RD7008 (4 cyl)
RD7187 (V6)




CN5420
Hyundai Trajet, 7/00>

Length: 710mm
Height: 345mm
Thickness: 16mm

Inlet: Pad
Outlet: Pad

RD6311
97606-3A100




CN5456
Hyundai Tucson, 05>

Length: 625mm
Height: 364mm
Thickness: 16mm

Inlet: Pad
Outlet: Pad

RD6311
97606-2E000



International/Isuzu/
Iveco

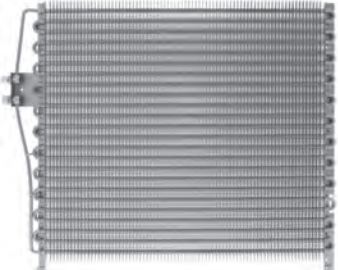


CN7000
International 2000, 7000, 8000, 9000
9200 Series

Length: 675mm
Height: 665mm
Thickness: 22mm

Inlet: # 8 MIOR
Outlet: # 6 MIOR

77R7000



CN7071
Isuzu D-Max

Length: 605mm
Height: 335mm
Thickness: 25mm

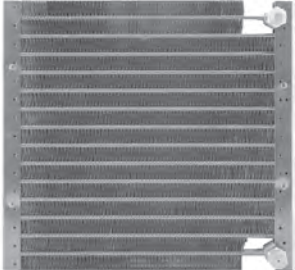
Inlet: Pad
Outlet: Pad


 Picture unavailable at time of printing
 refer www.cooldrive.com.au

CN5024
Isuzu FSR, FTR, 92-93

Length: 378mm
Height: 355mm
Thickness: 32mm

Inlet: # 8 MIOR
Outlet: # 6 MIOR

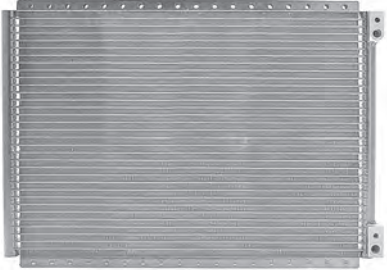


CN7056
Isuzu FVR, 99>

Length: 510mm
Height: 360mm
Thickness: 21mm

Inlet: Pad
Outlet: Pad

071376A

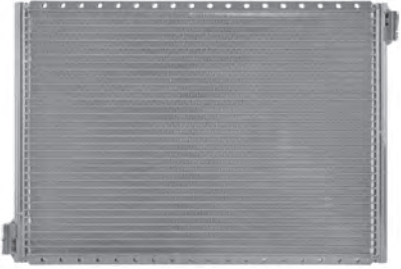


CN7047
Isuzu NKR, 3.1 & 4.3Lt
Isuzu NPR, 4.3Lt
Isuzu NPS, 3.9 & 4.3Lt

Length: 510mm
Height: 335mm
Thickness: 16mm

Inlet: Pad
Outlet: Pad

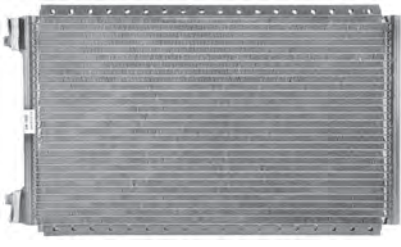
R12 Fitting Profile



CN7032
Isuzu NPR, 92-93

Length: 510mm
Height: 310mm
Thickness: 21mm

Inlet: Pad
Outlet: Pad




CN7062
Isuzu NPR200

Length: 335mm
Height: 390mm
Thickness: 25mm

Inlet: Pad
Outlet: Pad

ZRW39332E




CN0565
Iveco Daily, 09>

Length: 605mm
Height: 342mm
Thickness: 16mm

Inlet: Pad
Outlet: Pad

504084147

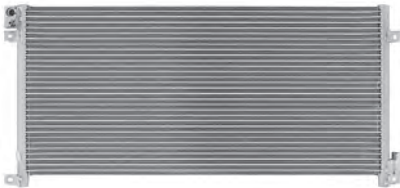


CN0562
Iveco Daily, Turbo Diesel, 99>

Length: 684mm
Height: 307mm
Thickness: 16mm

Inlet: Pad
Outlet: Pad

504090674
Manual Transmission

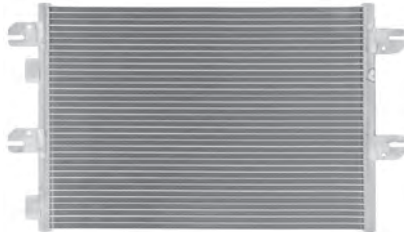


CN5684
Iveco Eurocargo, 00>

Length: 543mm
Height: 371mm
Thickness: 16mm

Inlet: Pad
Outlet: Pad

504022659




CN5482
Iveco Eurocargo, 7, 8, 110E, 130, 180

Length: 490mm
Height: 345mm
Thickness: 16mm

Inlet: Pad
Outlet: Pad

505080822




CN5237
Iveco Eurostar, 02>

Length: 582mm
Height: 482mm
Thickness: 40mm

Inlet: # 8 MIOR
Outlet: # 6 MIOR

818930
17036303505



CN5235
Iveco Truck MP4500

Length: 533mm
Height: 428mm
Thickness: 22mm

Inlet: # 8 MIOR
Outlet: # 6 MIOR





CN6545
Jaguar X Type, 2.0Lt, 02-9/05>
Jaguar X Type, 2.5, 3.0Lt, 01>

Length: 667mm
Height: 361mm
Thickness: 16mm

Inlet: Pad
Outlet: Pad

C2S5302
C2S1232
C2S43484




CN6342
Jaguar XF, XK, 08>

Length: 495mm
Height: 447mm
Thickness: 17mm

Inlet: Pad
Outlet: Pad

XR828762
XR828837
XR853523
XR856373



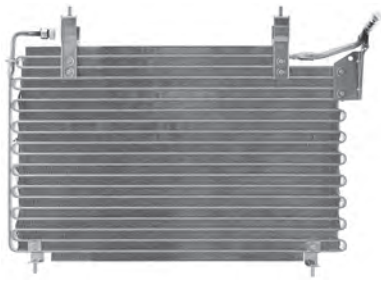
CN5246
Jaguar XJ40, 4.0Lt 6 cyl, 93-97

Length: 655mm
Height: 415mm
Thickness: 25mm

Inlet: Quick connect
Outlet: M16 x 1.5 FOR

RD9201

CBC-9823
CBC-9822
From VIN V667829



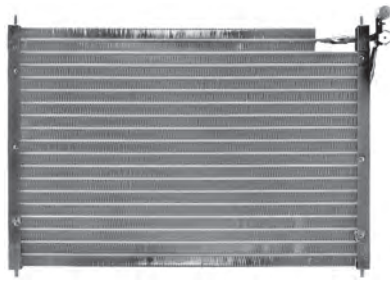
CN5240
Jaguar XJ40, 3.6Lt 6 cyl, 4/87-93

Length: 676mm
Height: 450mm
Thickness: 26mm

Inlet: # 8 MIOR
Outlet: # 6 FOR

RD9050

CBC-8074
To VIN V667828



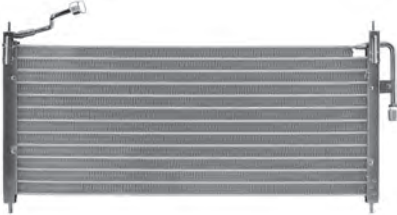
CN5200
Jaguar XJ6, Series III, 86-3/87

Length: 727mm
Height: 290mm
Thickness: 22mm

Inlet: # 8 MIOR
Outlet: # 6 FOR

RD9200

CBC-2809




CN5453
Jaguar XJS, 4.0Lt, 94-96

Length: 702mm
Height: 312mm
Thickness: 22mm

Inlet: M20 x 1.5 MIOR
Outlet: M16 x 1.5 MIOR

92125247



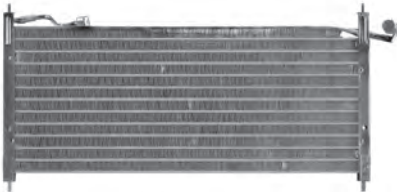
CN5241
Jaguar XJS, HE, 1/89-91

Length: 726mm
Height: 290mm
Thickness: 22mm

Inlet: # 8 MIOR
Outlet: # 6 FOR

RD9200

CBC-8540




CN5542
Jaguar XK8, XKR, 4.0, 4.2Lt V8, 96-1/01>

Length: 695mm
Height: 360mm
Thickness: 16mm

Inlet: Pad
Outlet: Pad

MJD7390AD




CN6338
Jaguar XR8
Jaguar S Type, 99-02

Length: 707mm
Height: 435mm
Thickness: 20mm

Inlet: Pad
Outlet: Pad

RD7082

XR87068




JCB/Jeep/John Deere



CN5256
JCB Tractor 4CX

Length: 485mm
Height: 520mm
Thickness: 16mm

Inlet: # 8 MIOR
Outlet: # 6 MIOR




CN5418
Jeep Cherokee XJ, 97-6/99

Length: 768mm
Height: 258mm
Thickness: 16mm

Inlet: FSL
Outlet: FSL

55037434AA

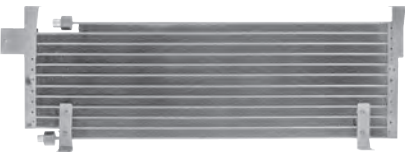


CN5380
Jeep Cherokee, 94>

Length: 756mm
Height: 236mm
Thickness: 22mm

Inlet: # 8 MIOR
Outlet: # 6 MIOR

RD8115
55035999




CN5460
Jeep Commander, 06>
Jeep Grand Cherokee WH, 06>

Length: 645mm
Height: 455mm
Thickness: 22mm

Inlet: Pad
Outlet: Pad

Internal Oil Cooler
55116928AA




CN5479
Jeep Compass, 07>
Jeep Patriot, 07>

Length: 676mm
Height: 424mm
Thickness: 16mm

Inlet: Pad
Outlet: Pad

Internal Oil Cooler
K68004053AA




CN5540
Jeep Grand Cherokee WK, 2/11>

Length: 688mm
Height: 518mm
Thickness: 16mm

Inlet: Pad
Outlet: Pad

Internal Oil Cooler
55038003AG
55038003AE

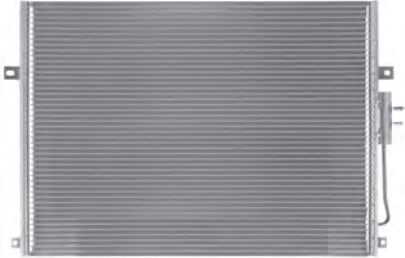

Picture unavailable at time of printing
refer www.cooldrive.com.au

CN5424
Jeep Grand Cherokee WJ, WG, 7/99-5/05

Length: 655mm
Height: 465mm
Thickness: 16mm

Inlet: Pad
Outlet: Pad

T918AC5238

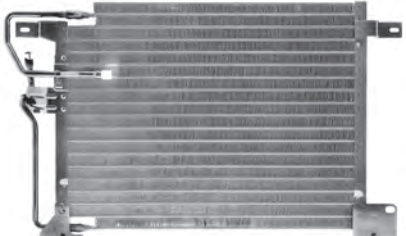


CN5384
Jeep Grand Cherokee, 4/96-98

Length: 595mm
Height: 433mm
Thickness: 26mm

Inlet: FSL
Outlet: FSL

RD8120
53054211

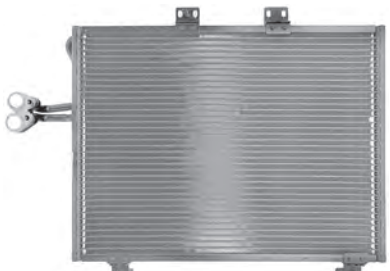


CN5455
Jeep Wrangler, 01>

Length: 520mm
Height: 443mm
Thickness: 16mm

Inlet: Pad
Outlet: Pad

5537512AA




CN1014
John Deere 6420, SE Series

Length: 452mm
Height: 464mm
Thickness: 32mm

Inlet: Pad
Outlet: Pad

AL157615
AL156282



Kenworth




CN6957
Kenworth T400, T600, T600A
T2000, 95-06

Length: 825mm
Height: 532mm
Thickness: 20mm

Inlet: # 8 MIOR
Outlet: # 6 MIOR

K122-125

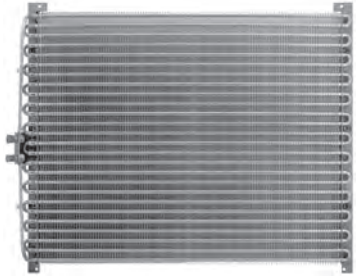


CN6930
Kenworth T600A

Length: 856mm
Height: 655mm
Thickness: 20mm

Inlet: # 8 MIOR
Outlet: # 6 MIOR

77R6930




CN6975
Kenworth T600AR

Length: 883mm
Height: 765mm
Thickness: 23mm

Inlet: # 8 MIOR
Outlet: # 6 MIOR

Grilldenser



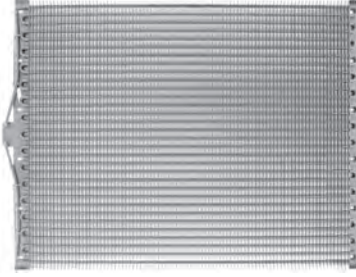
Picture unavailable at time of printing refer www.cooldrive.com.au

CN8100
Kenworth T800

Length: 1110mm
Height: 838mm
Thickness: 20mm

Inlet: # 8 MIOR
Outlet: # 6 MIOR

K122-84
Grilldenser




CN6965
Kenworth W900L

Length: 959mm
Height: 927mm
Thickness: 24mm

Inlet: # 8 MIOR
Outlet: # 6 MIOR

K122-98
Grilldenser





CN5605
Kia Carens, 1.8Lt, 4/00-12/01

Length: 635mm
Height: 395mm
Thickness: 16mm

Inlet: Pad
Outlet: Pad

RD7186

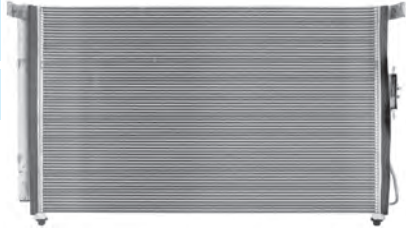


CN5622
Kia Carnival, 07>

Length: 790mm
Height: 433mm
Thickness: 16mm

Inlet: Pad
Outlet: Pad

97606-4D800

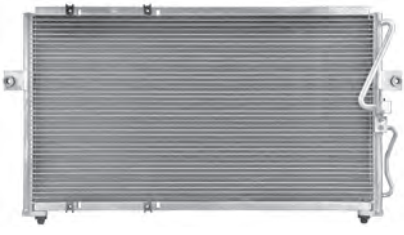


CN5604
Kia Carnival, 7/99-9/01

Length: 745mm
Height: 428mm
Thickness: 20mm

Inlet: Pad
Outlet: Pad

RD7192




CN5524
Kia Cerato, 09>

Length: 610mm
Height: 391mm
Thickness: 22mm

Inlet: Pad
Outlet: Pad


97606-2H000



CN5615
Kia Cerato, 7/04-09

Length: 600mm
Height: 354mm
Thickness: 20mm

Inlet: Pad
Outlet: Pad

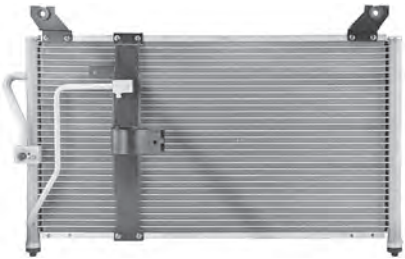


CN5607
Kia Credos, 4/98-4/01

Length: 640mm
Height: 380mm
Thickness: 20mm

Inlet: Pad
Outlet: Pad

OK9B361480

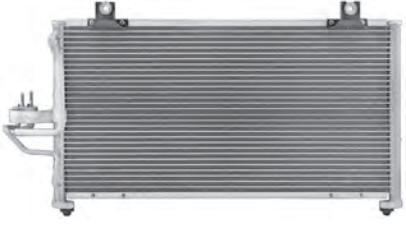


CN5603
Kia Mentor Series II, 9/97-2/01

Length: 635mm
Height: 328mm
Thickness: 21mm

Inlet: Pad
Outlet: Pad

Korean System
OK2B161480
Denso Compressor

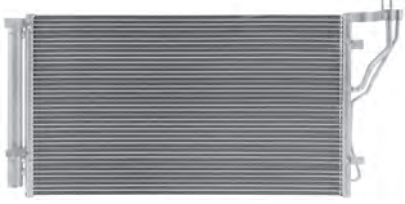


CN5557
Kia Optima, 5/10>

Length: 718mm
Height: 385mm
Thickness: 16mm

Inlet: Pad
Outlet: Pad

97606-3R000




CN5481
Kia Optima, 04>

Length: 705mm
Height: 342mm
Thickness: 18mm

Inlet: Pad
Outlet: Pad

97606-38004

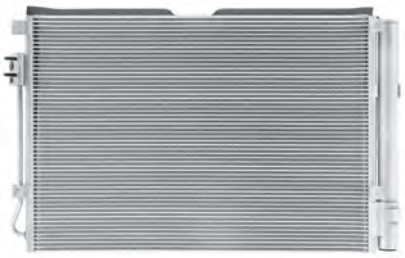


CN5551
Kia Rio, 9/11>

Length: 553mm
Height: 365mm
Thickness: 12mm

Inlet: Pad
Outlet: Pad

97606-2V000

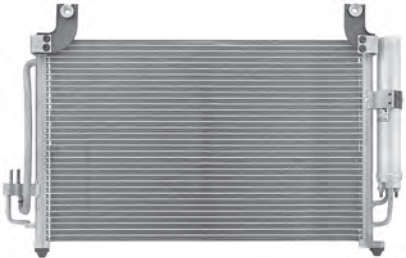


CN5616
Kia Rio, SF, 10/05>

Length: 576mm
Height: 345mm
Thickness: 20mm

Inlet: Pad
Outlet: Pad

RD6311



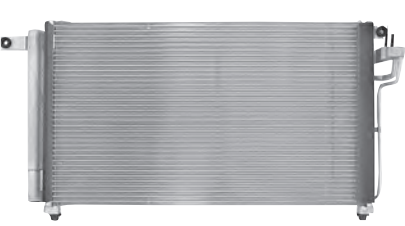
CN5457
Kia Rio, 05>

Length: 655mm
Height: 360mm
Thickness: 16mm

Inlet: Pad
Outlet: Pad

RD4050

97606-1G000



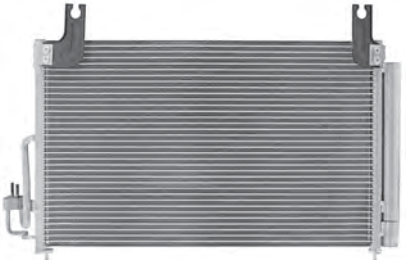
CN5611
Kia Rio, 9/02>

Length: 594mm
Height: 360mm
Thickness: 16mm

Inlet: Pad
Outlet: Pad

RD6311

97606-FD000

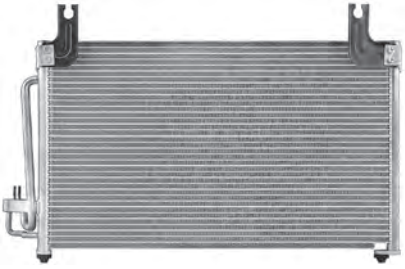


CN5608
Kia Rio, 5/00-9/02

Length: 635mm
Height: 350mm
Thickness: 19mm

Inlet: Pad
Outlet: Pad

OK30A61480B




CN5623
Kia Rondo, 2.4Lt, 4/08>

Length: 703mm
Height: 342mm
Thickness: 16mm

Inlet: Pad
Outlet: Pad

97606-1D100



CN5609
Kia Shuma, 2/01>

Length: 630mm
Height: 315mm
Thickness: 19mm

Inlet: Pad
Outlet: Pad

RD7186
ZA161480C

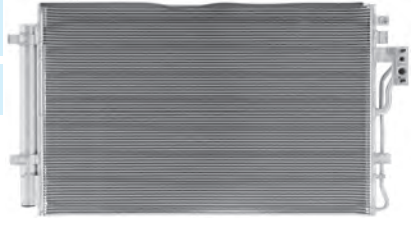


CN5618
Kia Sorento, 9/09>

Length: 694mm
Height: 434mm
Thickness: 12mm

Inlet: Pad
Outlet: Pad

97606-2P500




CN5686
Kia Sorento, 2.2Lt Diesel, 9/09>

Length: 540mm
Height: 440mm
Thickness: 16mm

Inlet: Pad
Outlet: Pad

97606-2P000

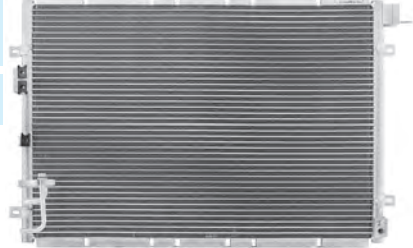


CN5687
Kia Sorento, 3.5Lt, V6 Petrol, 10/03-06

Length: 634mm
Height: 454mm
Thickness: 16mm

Inlet: Pad
Outlet: Pad

97606-3E000
97606-4E000




CN5609
Kia Spectra, 2/01>

Length: 630mm
Height: 315mm
Thickness: 19mm

Inlet: Pad
Outlet: Pad

RD7186
ZA161480C

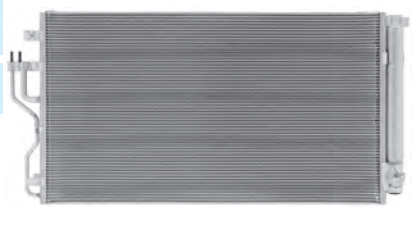


CN5552
Kia Sportage, SL, 2.0Lt Diesel, 8/10>

Length: 710mm
Height: 390mm
Thickness: 12mm

Inlet: Pad
Outlet: Pad

97606-2S500

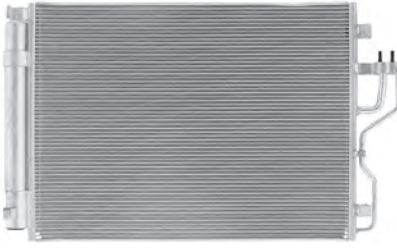


CN5556
Kia Sportage, SL, 2.0Lt, 2.4Lt Petrol, 8/10>

Length: 550mm
Height: 390mm
Thickness: 12mm

Inlet: Pad
Outlet: Pad

97606-2S000




CN5456
Kia Sportage, 05>

Length: 625mm
Height: 364mm
Thickness: 16mm

Inlet: Pad
Outlet: Pad

RD6311
97606-2E000



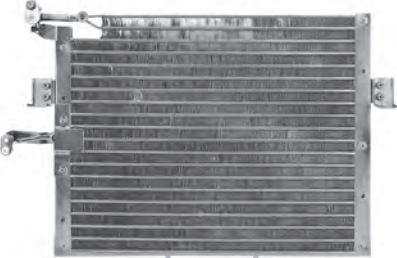
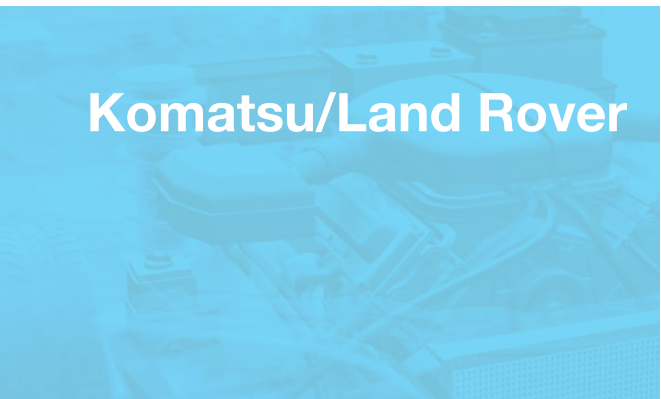
CN5601
Kia Sportage, 7/97-99

Length: 536mm
Height: 410mm
Thickness: 26mm

Inlet: Pad
Outlet: Pad

RD9803

Korean System
OK03B61408B
OK03B61408D
Denso Compressor

Komatsu/Land Rover

CN6010
Komatsu WA120

Length:
Height:
Thickness:

Inlet:
Outlet:

20Y9792122



Picture unavailable at time of printing
refer www.cooldrive.com.au

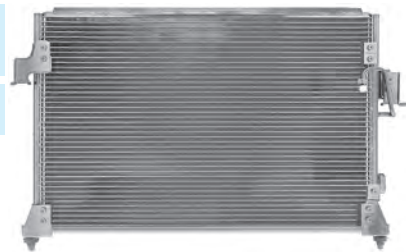
CN5062
Land Rover Discovery, 99>

Length: 660mm
Height: 420mm
Thickness: 16mm

Inlet: Pad
Outlet: Pad

RD7001

JRB100790

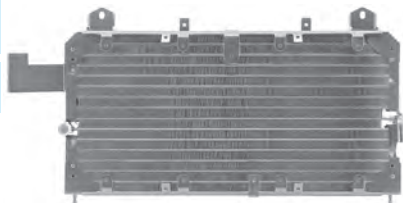


CN5243
Land Rover Discovery, 4/94-10/98

Length: 673mm
Height: 341mm
Thickness: 35mm

Inlet: # 8 MIOR
Outlet: # 6 MIOR

From VIN MA081992
BTR6632



CN5083
Land Rover Freelander V6, 01>

Length: 700mm
Height: 320mm
Thickness: 22mm

Inlet: Pad
Outlet: Pad

RD4050

JRB101070



CN5469
Land Rover Freelander V6, 01>

Length: 659mm
Height: 316mm
Thickness: 16mm

Inlet: Pad
Outlet: Pad

RD7072

JRB101070
Genuine



CN5244
Land Rover Freelander, 99-01

Length: 545mm
Height: 431mm
Thickness: 16mm

Inlet: Pad
Outlet: Pad

RD7069

AWR5796



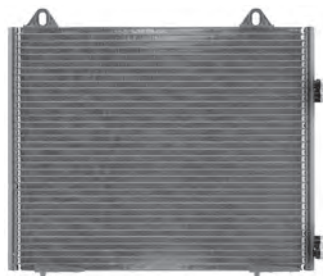
CN5433
Land Rover Freelander, 99-01

Length: 510mm
Height: 437mm
Thickness: 16mm

Inlet: Pad
Outlet: Pad

RD7069

AWR5796
Genuine

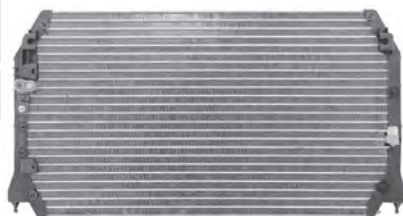


CN5103
Lexus ES300, 5/97-7/01

Length: 778mm
Height: 410mm
Thickness: 22mm

Inlet: Pad
Outlet: M16 x 1.5 MIOR

RD7001

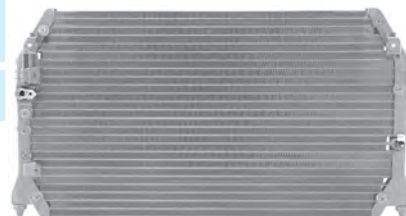


CN5103D
Lexus ES300, 5/97-7/01

Length: 778mm
Height: 410mm
Thickness: 22mm

Inlet: Pad
Outlet: M16 x 1.5 MIOR

RD7001




CN5238
Lexus GS300, 98>

Length: 710mm
Height: 415mm
Thickness: 16mm

Inlet: Pad
Outlet: Pad

RD4050
88460-30780




CN5219
Lexus IS200, IS300, 1/99>

Length: 670mm
Height: 368mm
Thickness: 16mm

Inlet: Pad
Outlet: Pad

RD4050

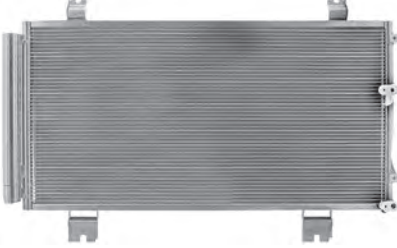


CN5534
Lexus IS250, 12/05>

Length: 686mm
Height: 345mm
Thickness: 16mm

Inlet: Pad
Outlet: Pad

88460-53030

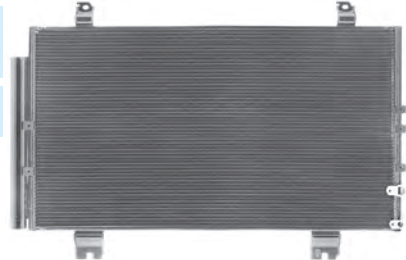


CN5568
Lexus IS F, USE20R, 10/08>

Length: 685mm
Height: 315mm
Thickness: 16mm

Inlet: Pad
Outlet: Pad

88460-53060




CN5505
Lexus LS400, 94-00

Length: 752mm
Height: 417mm
Thickness: 16mm

Inlet: Pad
Outlet: Pad

88460-50120




CN5504
Lexus LS400, 8/92-10/94

Length: 760mm
Height: 347mm
Thickness: 32mm

Inlet: Pad
Outlet: Pad

88460-50090




CN5503
Lexus LS400, 12/89-8/92

Length: 760mm
Height: 347mm
Thickness: 32mm

Inlet: Pad
Outlet: Pad

R12 Fitting Profile
88460-50020

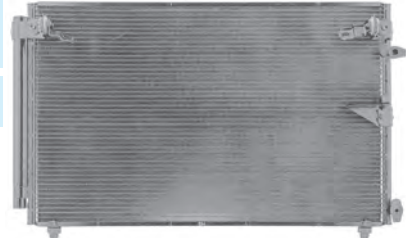


CN5315
Lexus LS430, 00>

Length: 750mm
Height: 462mm
Thickness: 16mm

Inlet: Pad
Outlet: Pad

RD4050




CN5502
Lexus RX330 MCU38R, 4/03-1/06

Length: 695mm
Height: 510mm
Thickness: 16mm

Inlet: Pad
Outlet: Pad

RD4050
989557-7640
88460-48050



CN5549
Lexus RX350 GGL15R, 2/09>

Length: 750mm
Height: 425mm
Thickness: 16mm

Inlet: Pad
Outlet: Pad

88460-48140




CN5507
Lexus RX350 GSU35R, 2/06-1/09

Length: 695mm
Height: 510mm
Thickness: 16mm

Inlet: Pad
Outlet: Pad

88460-48091




CN5681
Lexus RX400H MHU38W, 10/06-5/09

Length: 692mm
Height: 484mm
Thickness: 16mm

Inlet: Pad
Outlet: Pad

88460-48061


Picture unavailable at time of printing refer www.cooldrive.com.au

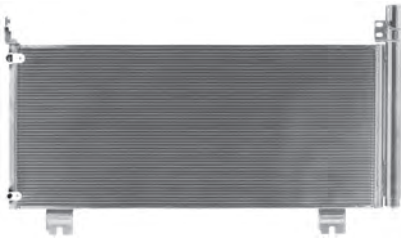
CN5511
Lexus RX450H GYL15R, 6/09>

Length: 775mm
Height: 320mm
Thickness: 16mm

Inlet: Pad
Outlet: Pad

RD4085

88460-48150
Without inverter

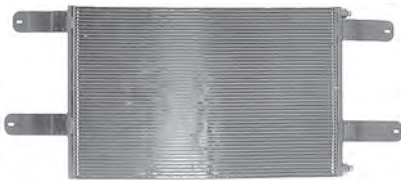



CN4304
Mack CH, 99>

Length: 790mm
Height: 487mm
Thickness: 22mm

Inlet: # 8 MIOR
Outlet: # 6 MIOR


210RD510M



CN0560
Mack DM, MH, U

Length: 852mm
Height: 211mm
Thickness: 26mm

Inlet: # 8 MIOR
Outlet: # 6 MIOR

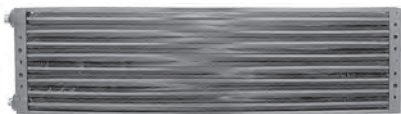


CN1660
Mack DM, MH, U

Length: 840mm
Height: 216mm
Thickness: 32mm

Inlet: # 8 MIOR
Outlet: # 6 MIOR

77R0560




CN0150
Mack R Series

Length: 693mm
Height: 235mm
Thickness: 44mm

Inlet: # 8 MIOR
Outlet: # 6 MIOR

77R0150

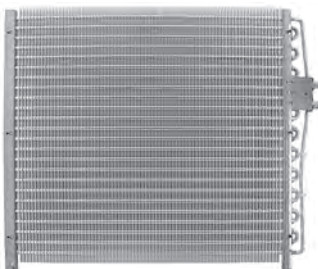


CN6900
Mack RL, RS

Length: 673mm
Height: 660mm
Thickness: 19mm

Inlet: # 8 MIOR
Outlet: # 6 MIOR

77R6900




CN8200
Mack RW

Length: 1295mm
Height: 840mm
Thickness: 19mm

Inlet: # 8 MIOR
Outlet: # 6 MIOR

210RD49302P2
PB1095
77R8200



Picture unavailable at time of printing refer www.cooldrive.com.au

CN4303
Mack Truck

Length: 725mm
Height: 575mm
Thickness: 18mm

Inlet: # 8 MIOR
Outlet: # 6 MIOR

210RD54M




CN7708
Mack Truck

Length: 995mm
Height: 163mm
Thickness: 29mm

Inlet: # 8 MIOR
Outlet: # 6 MIOR

77R7708




CN0080
Mack Truck, 96>

Length: 590mm
Height: 462mm
Thickness: 16mm

Inlet: Pad
Outlet: Pad

5010315281





CND112
Mazda 121 DW2

Length: 334mm
Height: 379mm
Thickness: 32mm

Inlet: Pad
Outlet: Pad

MAZCND112




CND041
Mazda 121 Metro, DW, 10/96-2/00

Length: 335mm
Height: 395mm
Thickness: 32mm

Inlet: Pad
Outlet: Pad

RD6627 (w/switch)
RD6159

Cooltemp system




CN0023
Mazda 121 DB Bubble, 94-98

Length: 613mm
Height: 354mm
Thickness: 22mm

Inlet: Pad
Outlet: Pad

RD6126 (w/switch)
RD6159

Cooltemp system




CN7036
Mazda 121 Early DB, 91>

Length: 590mm
Height: 315mm
Thickness: 19mm

Inlet: Pad
Outlet: Pad

RD7007

MACO455348



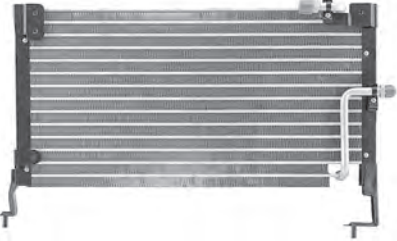
CN5377
Mazda 121 DB 103/105, 90-91

Length: 590mm
Height: 296mm
Thickness: 22mm

Inlet: # 8 MIOR
Outlet: # 5 MIOR

RD7007

MACO455147



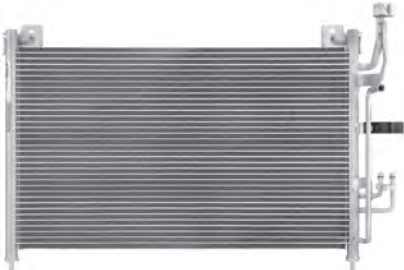
CN5890
Mazda 2, Series III, 07>

Length: 610mm
Height: 350mm
Thickness: 16mm

Inlet: Pad
Outlet: FSL

RD7085

L4860-0FD71



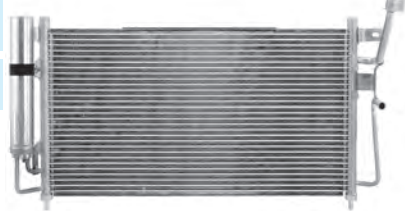
CN5588
Mazda 2, 02>

Length: 563mm
Height: 300mm
Thickness: 16mm

Inlet: Pad
Outlet: FSL

RD7150

D3YS61482A
D4Y161482A



CN5593
Mazda 3 BL, 4/09>

Length: 623mm
Height: 371mm
Thickness: 16mm

Inlet: Pad
Outlet: Pad



CN5591
Mazda 3 BK, 1/04-3/09

Length: 600mm
Height: 380mm
Thickness: 16mm

Inlet: Pad
Outlet: Pad

Black



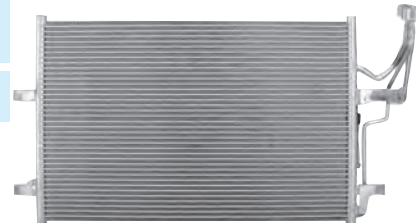
CN5586
Mazda 3 BK, 1/04-3/09

Length: 640mm
Height: 381mm
Thickness: 16mm

Inlet: Pad
Outlet: Pad

RD7095

BP4K61480A
Includes FDR



CN5390
Mazda 323 BJ Protege, Astina, 8/98>

Length: 640mm
Height: 330mm
Thickness: 16mm

Inlet: Pad
Outlet: Pad

RD7017

B25561480
Includes AL5390



CN5381
Mazda 323 BA, 3/96-8/98

Length: 644mm
Height: 320mm
Thickness: 17mm

Inlet: Pad
Outlet: Pad

RD7048

BCIM61480
(Not Astina)



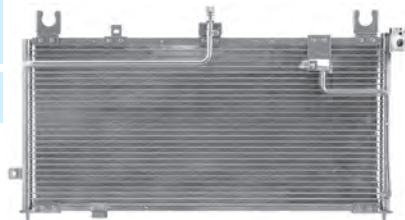
CN5026
Mazda 323 BA, 7/94-3/96

Length: 648mm
Height: 302mm
Thickness: 16mm

Inlet: Pad
Outlet: Pad

RD7017

R134a Fitting Profile



CN5028
Mazda 323 Astina BA, 6/94-9/98

Length: 620mm
Height: 311mm
Thickness: 16mm

Inlet: Pad
Outlet: Pad

BC1M61480



CN7024
Mazda 323 Astina, 1.8Lt, >94
Mazda 323 BG, 1.6Lt, >94

Length: 607mm
Height: 355mm
Thickness: 21mm

Inlet: Pad
Outlet: Pad

RD7019

R134a Fitting Profile



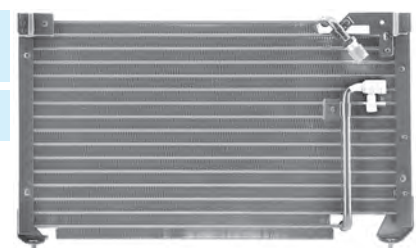
CN5020
Mazda 323 Astina BG, 10/89-7/94

Length: 596mm
Height: 338mm
Thickness: 22mm

Inlet: # 8 MIOR
Outlet: Pad

RD7010

R12 Fitting Profile

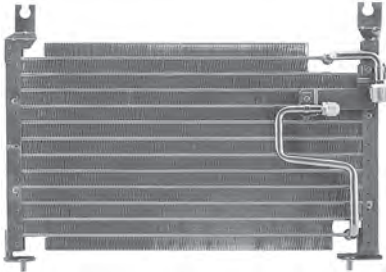


CN1214
Mazda 323 BF, BW, 5/85-3/90

Length: 551mm
Height: 307mm
Thickness: 22mm

Inlet: # 8 MIOR
Outlet: # 5 MIOR

RD6310




CN5597
Mazda 6 GH, 2/08>

Length: 689mm
Height: 325mm
Thickness: 16mm

Inlet: Pad
Outlet: Pad

GS1D61480D

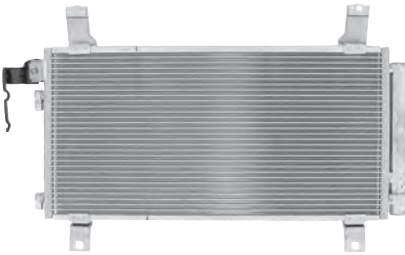


CN5584
Mazda 6 GG, 8/02-1/08

Length: 645mm
Height: 322mm
Thickness: 16mm

Inlet: Pad
Outlet: Pad

RD4050

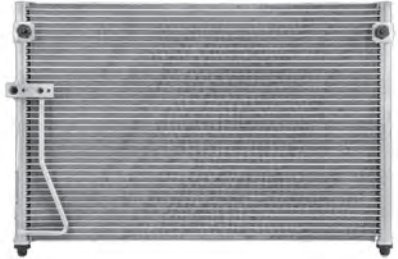


CN7035
Mazda 626 GF Sedan, GN Wagon, 6/97-5/02

Length: 585mm
Height: 357mm
Thickness: 19mm

Inlet: Pad
Outlet: Pad

RD7017, RD7044



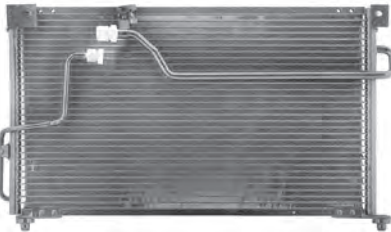
CN5382
Mazda 626 GE, 96-7/97

Length: 580mm
Height: 330mm
Thickness: 16mm

Inlet: # 8 MIOR
Outlet: # 5 FOR

RD7017, RD7044

GA7H61480




CN5375
Mazda 626 GE, 93-95

Length: 587mm
Height: 313mm
Thickness: 16mm

Inlet: Pad
Outlet: M16 x 1.5 MIOR

RD7017

R134a Fitting Profile
GC3N61480




CN5376
Mazda 626 GE, 12/91-93

Length: 602mm
Height: 333mm
Thickness: 16mm

Inlet: Pad
Outlet: # 5 MIOR

RD7009

R12 Fitting Profile

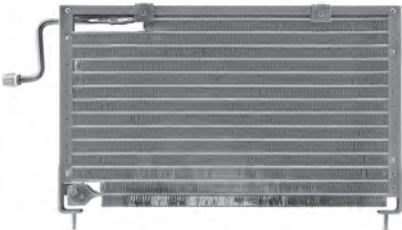


CN1376
Mazda 626 GD, 10/87-12/91

Length: 600mm
Height: 358mm
Thickness: 26mm

Inlet: # 8 MIOR
Outlet: Pad

RD5015

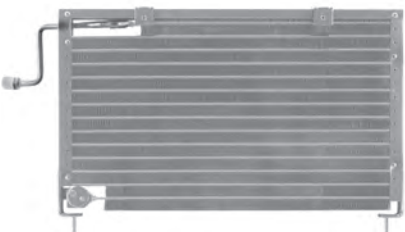


CN5378
Mazda 626 GD, 10/87-12/91

Length: 602mm
Height: 358mm
Thickness: 26mm

Inlet: M20 x 1.5 MIOR
Outlet: Pad

RD5015



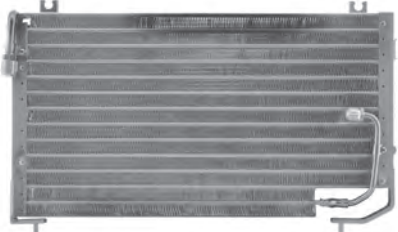
CN1021
Mazda 626, 2/83-10/87

Length: 589mm
Height: 310mm
Thickness: 22mm

Inlet: # 8 MIOR
Outlet: # 5 MIOR

RD6310

Denso system

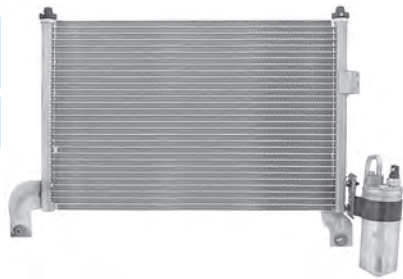


CN7054
Mazda B Series, 8/02>

Length: 530mm
Height: 330mm
Thickness: 19mm

Inlet: Pad
Outlet: Pad

RD7098



CN7024
Mazda B Series, Petrol & Diesel, 11/98-8/02

Length: 607mm
Height: 355mm
Thickness: 21mm

Inlet: Pad
Outlet: Pad

R134a Fitting Profile

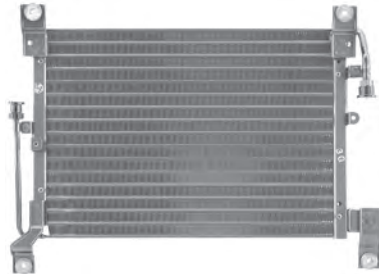


CN5406
Mazda B Series, 1/96-2/99

Length: 510mm
Height: 340mm
Thickness: 21mm

Inlet: # 10 MIOR
Outlet: # 6 MIOR

R134a Fitting Profile

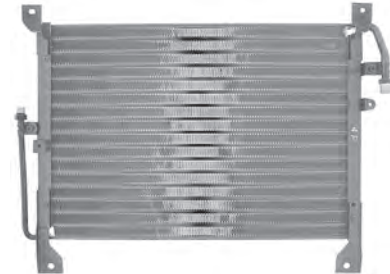


CN5439
Mazda B Series, 89-96

Length: 508mm
Height: 340mm
Thickness: 22mm

Inlet: # 8 MIOR
Outlet: # 5 MIOR

R12 Fitting Profile



CN5440
Mazda B Series, 89-96

Length: 508mm
Height: 340mm
Thickness: 22mm

Inlet: M22 x 1.5 MIOR
Outlet: M16 x 1.5 MIOR

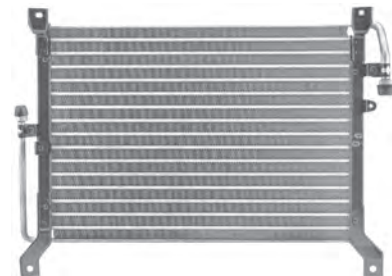
R134a Fitting Profile



CN5215
Mazda B Series, 11/85-89

Length: 508mm
Height: 342mm
Thickness: 22mm

Inlet: # 8 MIOR
Outlet: # 6 MIOR

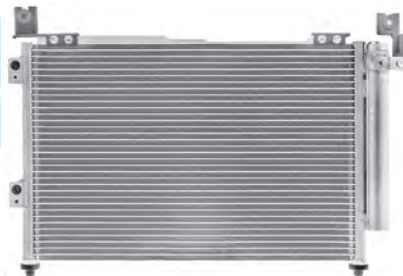


CN5422
Mazda BT50, 09>

Length: 526mm
Height: 345mm
Thickness: 16mm

Inlet: Pad
Outlet: Pad dia. 15.5mm

MACO106675
Local A/C



CN7061
Mazda BT50

Length: 545mm
Height: 350mm
Thickness: 16mm

Inlet: Pad
Outlet: Pad dia. 10.0mm



CN5486
Mazda CX-7, 11/06>

Length: 674mm
Height: 400mm
Thickness: 16mm

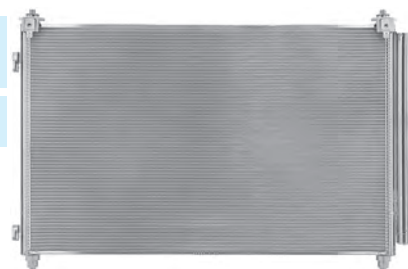
Inlet: Pad
Outlet: FSL



CN5488
Mazda CX-9, 12/07>

Length: 695mm
Height: 430mm
Thickness: 16mm

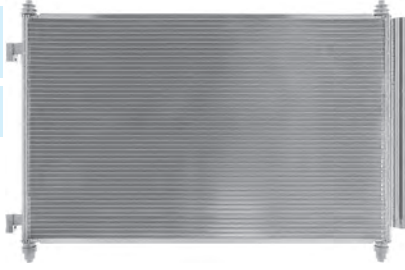
Inlet: Pad
Outlet: Pad



CN5488CG
Mazda CX-9, 12/07>

Length: 695mm
Height: 430mm
Thickness: 16mm

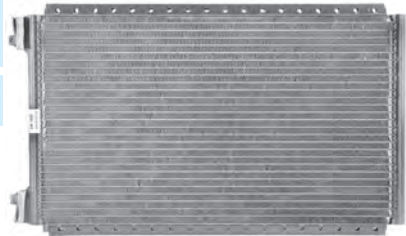
Inlet: Pad
Outlet: Pad



CN7032
Mazda E Series, Petrol & Diesel, 93-95

Length: 510mm
Height: 310mm
Thickness: 21mm

Inlet: Pad
Outlet: Pad




CN5054
Mazda MPV, LW10J2, 3.0Lt V6, 3/02>

Length: 670mm
Height: 462mm
Thickness: 15mm

Inlet: Pad
Outlet: Pad

RD4050

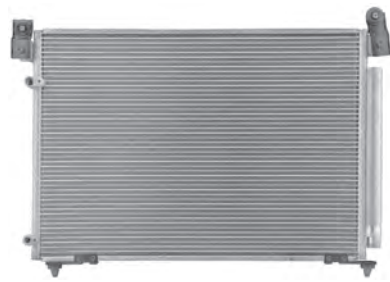


CN5339
Mazda MPV, LW10G1, 2.5Lt, 6/99-3/02

Length: 670mm
Height: 463mm
Thickness: 16mm

Inlet: Pad
Outlet: Pad

RD4050

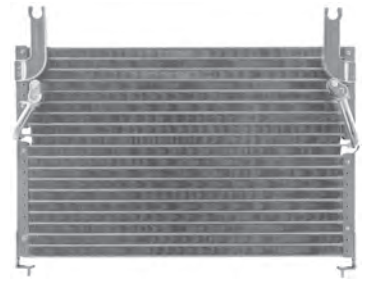


CN5029
Mazda MPV, LV10E2, 12/95-6/99

Length: 650mm
Height: 404mm
Thickness: 22mm

Inlet: Pad
Outlet: Pad

RD7001

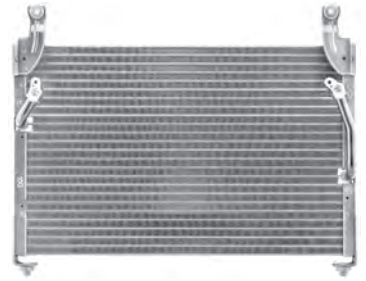


CN5055
Mazda MPV, LV10E1, 8/93-4/96

Length: 655mm
Height: 405mm
Thickness: 22mm

Inlet: Pad
Outlet: Pad

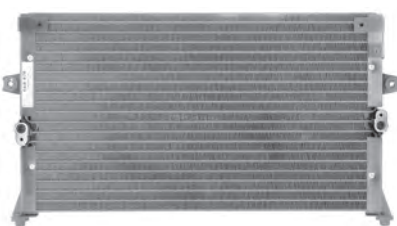
RD7001



CND070
Mazda MX5 NB, 10/00-8/05

Length: 612mm
Height: 335mm
Thickness: 22mm

Inlet: Pad
Outlet: Pad

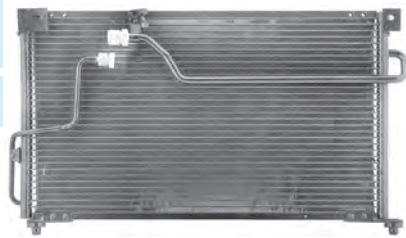


CN5382
Mazda MX6, 96-7/97

Length: 580mm
Height: 330mm
Thickness: 16mm

Inlet: # 8 MIOR
Outlet: # 5 FOR

RD7017, RD7044
GA7H61480




CN5375
Mazda MX6, 93-95

Length: 587mm
Height: 313mm
Thickness: 16mm

Inlet: Pad
Outlet: M16 x 1.5 MIOR

RD7017
R134a Fitting Profile
GC3N61480




CN5376
Mazda MX6, 12/91-93

Length: 602mm
Height: 333mm
Thickness: 16mm

Inlet: Pad
Outlet: # 5 MIOR

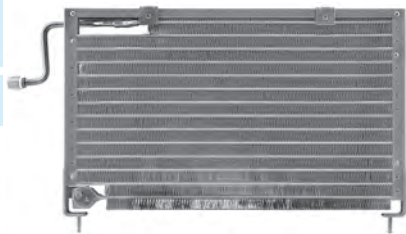
RD7009
R12 Fitting Profile



CN1376
Mazda MX6, 10/87-12/91

Length: 600mm
Height: 358mm
Thickness: 26mm

Inlet: # 8 MIOR
Outlet: Pad

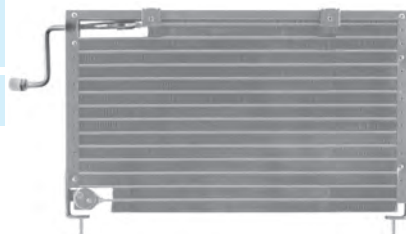


CN5378
Mazda MX6, 10/87-12/91

Length: 602mm
Height: 358mm
Thickness: 26mm

Inlet: M20 x 1.5 MIOR
Outlet: Pad

RD5015

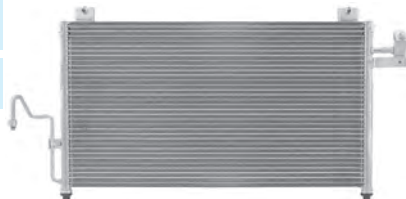


CN5066
Mazda Premacy, 3/99>

Length: 643mm
Height: 338mm
Thickness: 15mm

Inlet: Pad
Outlet: Pad

RD7017



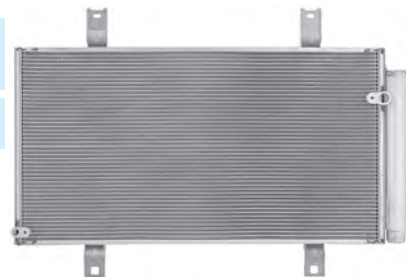
CN5587
Mazda RX8, 7/03>

Length: 605mm
Height: 320mm
Thickness: 16mm

Inlet: Pad
Outlet: Pad

RD4030

F15161480



CND117
Mazda T Series, WH

Length: 451mm
Height: 449mm
Thickness: 22mm

Inlet: Pad
Outlet: Pad



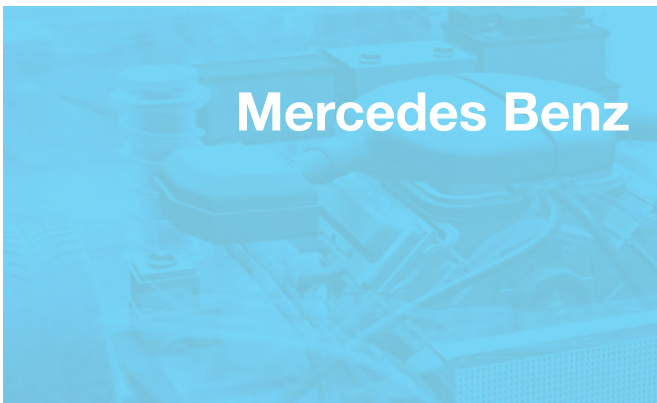
CN0006
Mazda Tribute, 3.0Lt V6, 2/01>

Length: 755mm
Height: 430mm
Thickness: 22mm

Inlet: Pad
Outlet: Pad

RD7096

YL8H1971CA



CN6503
Mercedes A Class, W168, 98>

Length: 510mm
Height: 380mm
Thickness: 16mm

Inlet: Pad
Outlet: Pad

A1685000454
A1685000654



CN6526
Mercedes A Class, W169, A150, A170, A180, A200
5/05-6/10
Mercedes B Class, W245, B180, B200, 11/05>

Length: 639mm
Height: 410mm
Thickness: 16mm

Inlet: Pad
Outlet: Pad

1695000354



CN6518
Mercedes A Class, A140, A160, A170, A190

Length: 578mm
Height: 383mm
Thickness: 17mm

Inlet: Pad
Outlet: Pad

RD6504

1685000854
1685001154

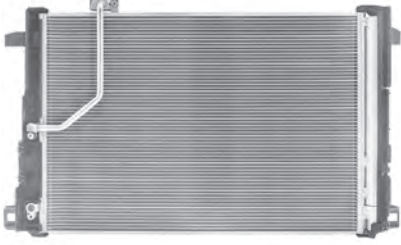


CN6575
Mercedes C Class, S204, W204, 1/07>
Mercedes E Class, A207, C207, S212, W212, 1/09>

Length: 644mm
Height: 435mm
Thickness: 16mm

Inlet: Pad
Outlet: Pad

A2045000254




CN6521
Mercedes C Class, W203, C180, C200, C230
C240, CL203, 02>

Length: 628mm
Height: 385mm
Thickness: 15mm

Inlet: Pad
Outlet: Pad

A2035000854



CN6508
Mercedes C Class, W203, CLK Class W209, 5/00>

Length: 690mm
Height: 373mm
Thickness: 16mm

Inlet: Pad
Outlet: Pad

RD4407
6618306570




CN6567
Mercedes C Class, W203, 5/00>

Length: 630mm
Height: 372mm
Thickness: 16mm

Inlet: Pad
Outlet: Pad

A2035002153
A2035002154
2038300372
2038300472




CN6504
Mercedes C Class, W202, C180, C200
C240, C280, E320, 1/94-5/00

Length: 593mm
Height: 430mm
Thickness: 16mm

Inlet: # 10 MIOR
Outlet: # 6 MIOR

2028300970
2028301370



CN6500
Mercedes C Class, W202, C220, 94

Length: 590mm
Height: 408mm
Thickness: 16mm

Inlet: # 10 MIOR
Outlet: # 6 MIOR

RD4403
2028300570



CN4081
Mercedes C Class, W202 C180, C200
C240, C280, 93-00

Length: 590mm
Height: 408mm
Thickness: 16mm

Inlet: # 10 MIOR
Outlet: # 6 MIOR

RD4403
2028300870




CN6517
Mercedes E Class, W211, E220, E240, E320
E270 Diesel, E500, 02>

Length: 630mm
Height: 440mm
Thickness: 16mm

Inlet: Pad
Outlet: Pad

RD7191
2115000654

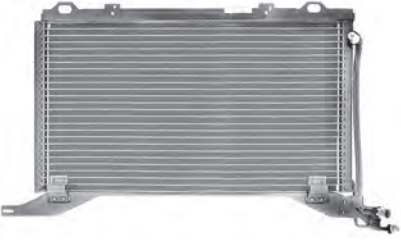


CN6519
Mercedes E Class, W201, W210, 190, 7/99-3/03

Length: 614mm
Height: 325mm
Thickness: 20mm

Inlet: # 10 MIOR
Outlet: # 6 MIOR

2018300370
2108300370




CN4079
Mercedes E Class, W210, E200, E240
E280, E300D, E320, 96>

Length: 620mm
Height: 491mm
Thickness: 16mm

Inlet: # 10 MIOR
Outlet: # 6 MIOR

2108300570



CN0561
Mercedes Actros, 96>

Length: 675mm
Height: 458mm
Thickness: 23mm

Inlet: # 10 MIOR
Outlet: # 10 MIOR

RD3923

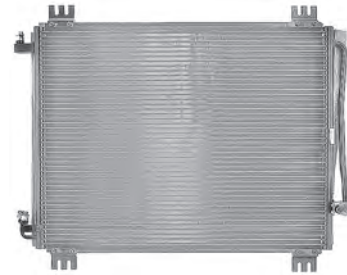


CN5516
Mercedes M140 Van
Mercedes MB100

Length: 612mm
Height: 478mm
Thickness: 18mm

Inlet: Pad
Outlet: Pad

6618306570



CN6510
Mercedes ML Class, W163 4WD, 98>

Length: 560mm
Height: 535mm
Thickness: 16mm

Inlet: Pad
Outlet: Pad

RD9806

A1638300070



CN6513
Mercedes S Class, W220, 96-06

Length: 620mm
Height: 482mm
Thickness: 17mm

Inlet: Pad
Outlet: Pad

2205000054



CN6401
Mercedes Sprinter, 07>

Length: 715mm
Height: 460mm
Thickness: 16mm

Inlet: Pad
Outlet: Pad

A9065000054

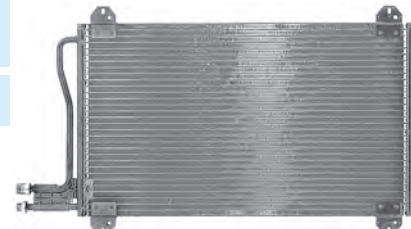


CN6522
Mercedes Sprinter, 901, 902, 903, 904, 96>

Length: 670mm
Height: 380mm
Thickness: 16mm

Inlet: # 8 MIOR
Outlet: # 6 MIOR

A90150005542



CN6520
Mercedes Vito, 03>

Length: 702mm
Height: 390mm
Thickness: 17mm

Inlet: Pad
Outlet: Pad

RD9170

63983500700



CN5472
Mercedes Vito, W639, 109CDi, 9/03>

Length: 702mm
Height: 390mm
Thickness: 16mm

Inlet: Pad
Outlet: Pad

RD9170

6398350270



CN5411
Mercedes Vito W638

Length: 539mm
Height: 545mm
Thickness: 19mm

Inlet: # 10 MIOR
Outlet: # 6 MIOR

RD7086

6388350170



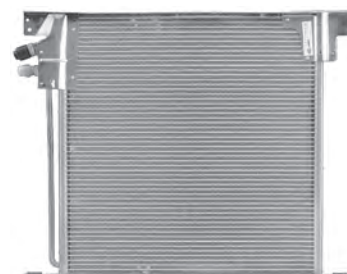
CN6505
Mercedes Vito W638, 2/96>

Length: 542mm
Height: 539mm
Thickness: 17mm

Inlet: # 10 MIOR
Outlet: # 6 MIOR

RD7086

6388350170




CN6516
Mercedes Vito W638, LH Rooftop

Length: 660mm
Height: 345mm
Thickness: 18mm

Inlet: Pad
Outlet: # 8 FOR

Crisp Air System




CN6515
Mercedes Vito W638, RH Rooftop

Length: 660mm
Height: 345mm
Thickness: 18mm

Inlet: Pad
Outlet: # 8 FOR

Crisp Air System



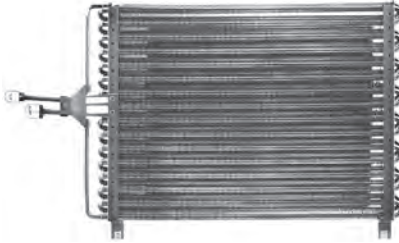
CN3008
Mercedes W123

Length: 560mm
Height: 407mm
Thickness: 32mm

Inlet: # 8 MIOR
Outlet: # 6 MIOR

RD1123

Includes AF2610, AF6242




CN4055
Mercedes W123, 230E, 230TE, 240D, 250, 280E, 280TE

Length: 560mm
Height: 407mm
Thickness: 32mm

Inlet: # 10 MIOR
Outlet: # 6 MIOR

RD1123

1238300770



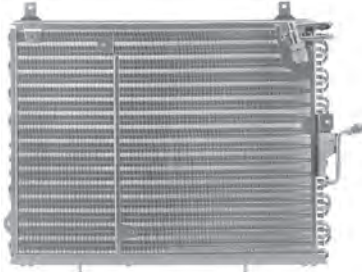
CN4084
Mercedes W124

Length: 586mm
Height: 450mm
Thickness: 25mm

Inlet: # 10 MIOR
Outlet: # 6 MIOR

RD1124

1248301370



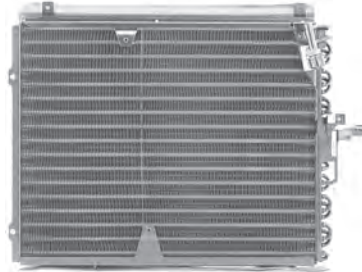
CN4057
Mercedes W124, 230E

Length: 583mm
Height: 440mm
Thickness: 24mm

Inlet: # 10 MIOR
Outlet: # 6 MIOR

RD1124

1248301070



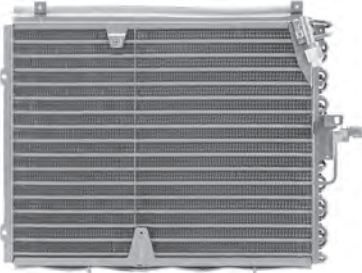
CN4060
Mercedes W124, 230E, 230TE

Length: 587mm
Height: 436mm
Thickness: 25mm

Inlet: # 10 MIOR
Outlet: # 6 MIOR

RD1124

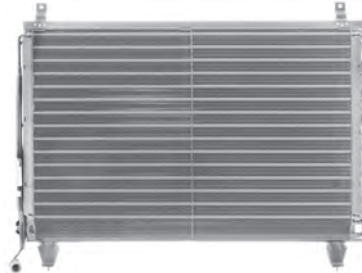
1248301770



CN4066
Mercedes W126 300SE, 300SEL, 420SE, 560SEL

Length: 613mm
Height: 370mm
Thickness: 25mm

Inlet: # 10 MIOR
Outlet: # 6 MIOR

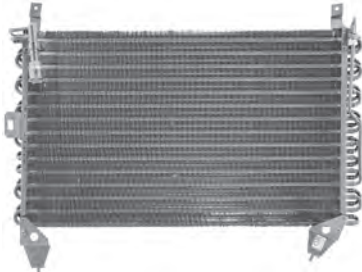


CN4063
Mercedes W126, 280SE

Length: 667mm
Height: 381mm
Thickness: 25mm

Inlet: # 10 MIOR
Outlet: # 6 MIOR

1268301470

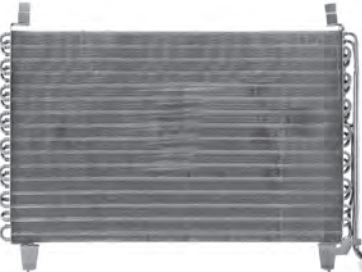


CN4065
Mercedes W126, 300SE, 300SEL, 420SE, 560SEL

Length: 670mm
Height: 405mm
Thickness: 25mm

Inlet: # 10 MIOR
Outlet: # 6 MIOR

1268302470



CN4067

Mercedes W126, 300SE, 300SEL
420SE, 560SEL

Length: 668mm
Height: 378mm
Thickness: 25mm

Inlet: # 10 MIOR
Outlet: # 6 MIOR

1268302870



CN4077

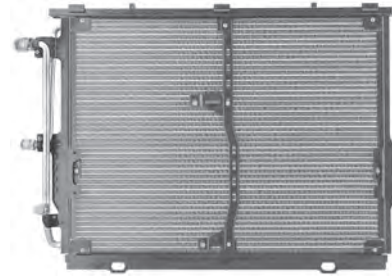
Mercedes W140, 300E, SE, SEL, 400SE, SEL
500SE, SEL, 600SE, SEL, 91-97

Length: 630mm
Height: 500mm
Thickness: 20mm

Inlet: # 10 MIOR
Outlet: # 6 MIOR

RD4402

1408300570



CN3096

Mercedes W163, ML320 98-05

Length: 562mm
Height: 530mm
Thickness: 16mm

Inlet: Pad
Outlet: # 8 MIOR



CN3097

Mercedes W164, ML350, 06>

Length: 590mm
Height: 537mm
Thickness: 16mm

Inlet: Pad
Outlet: Pad

A2515000054



CN4072

Mercedes W201, 190D

Length: 512mm
Height: 395mm
Thickness: 22mm

Inlet: # 10 MIOR
Outlet: # 6 MIOR



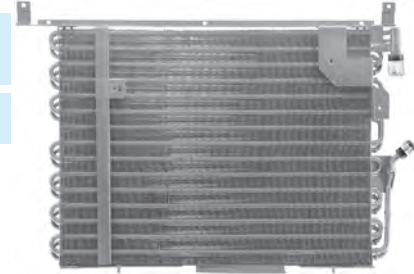
CN4071

Mercedes W201, 190E, 1.8, 2.3Lt

Length: 510mm
Height: 380mm
Thickness: 25mm

Inlet: # 10 MIOR
Outlet: # 6 MIOR

2018302870
From VIN F594604



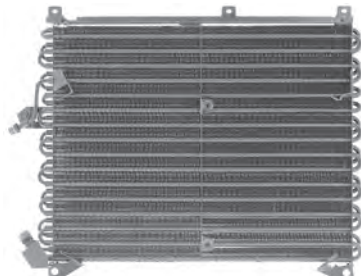
CN4070

Mercedes W201, 190E, 86-92

Length: 560mm
Height: 425mm
Thickness: 22mm

Inlet: # 10 MIOR
Outlet: # 6 MIOR

Up to VIN F594604



CN5126

MG MGF 1.8i Roadster, 3/97-11/00

Length: 610mm
Height: 292mm
Thickness: 16mm

Inlet: Pad
Outlet: Pad

RD9780

JRB100450



CN5465

MG ZT, ZTT, 9/01>

Length: 587mm
Height: 315mm
Thickness: 20mm

Inlet: Pad
Outlet: Pad

RD4050

JRB000140

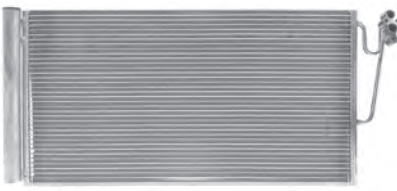


CN5476
Mini Cooper S, 08>

Length: 645mm
Height: 341mm
Thickness: 12mm

Inlet: Pad
Outlet: Pad

64536941084
694108403




CN5047
Mini Cooper R56, 10/06>
Mini R57 Convertible
Mini R55 Clubman

Length: 660mm
Height: 345mm
Thickness: 14mm

Inlet: Pad
Outlet: Pad

64539228607



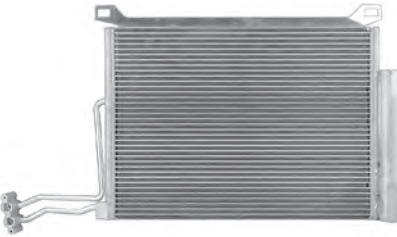
CN5464
Mini Cooper R50, R53 6/03>

Length: 517mm
Height: 359mm
Thickness: 15mm

Inlet: Pad
Outlet: Pad

RD4050

64536941084


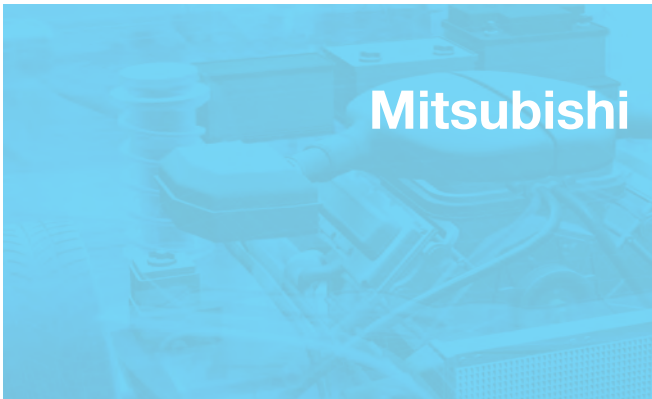


CN5071
Mini Cooper R50, 8/02>

Length: 624mm
Height: 320mm
Thickness: 18mm

Inlet: Pad
Outlet: Pad

RD7072

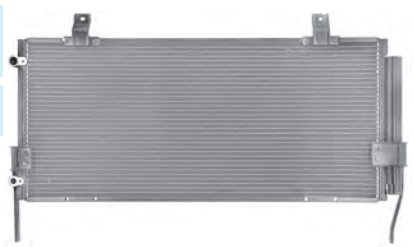



CN5518
Mitsubishi 380, 10/05-4/08

Length: 770mm
Height: 339mm
Thickness: 16mm

Inlet: Pad
Outlet: Pad

RD4050




CN5253
Mitsubishi Canter FE, 03>

Length: 380mm
Height: 310mm
Thickness: 20mm

Inlet: Pad
Outlet: Pad


CBC311B075



CN5236
Mitsubishi Challenger

Length: 624mm
Height: 349mm
Thickness: 16mm

Inlet: Pad
Outlet: Pad




CN7060
Mitsubishi Colt RG, 9/04>

Length: 585mm
Height: 410mm
Thickness: 16mm

Inlet: Pad
Outlet: Pad

MR568849



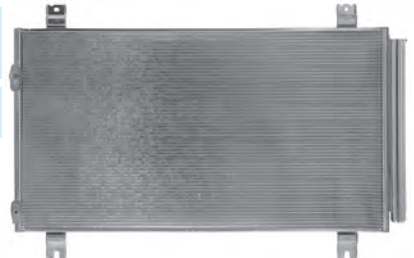
CN7064
Mitsubishi Grandis BA, 5/04-5/10

Length: 745mm
Height: 405mm
Thickness: 16mm

Inlet: Pad
Outlet: Pad

RD4070

MR958112



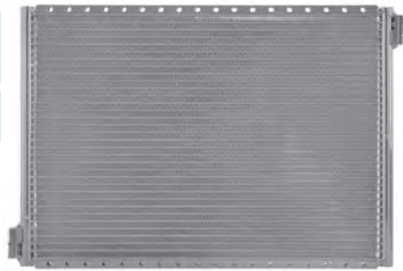
CN7047

Mitsubishi L300, 6/94>

Length: 510mm
Height: 335mm
Thickness: 16mm

Inlet: Pad
Outlet: Pad

R12 Fitting Profile



CN7037

Mitsubishi L300 WA, 6/94-6/95

Length: 550mm
Height: 330mm
Thickness: 22mm

Inlet: Pad
Outlet: Pad

Japanese System



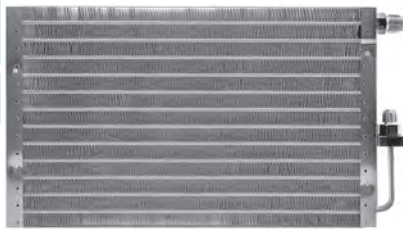
CN1381

Mitsubishi L300 SF, SG, SH, 8/86-6/94

Length: 508mm
Height: 305mm
Thickness: 22mm

Inlet: # 8 MIOR
Outlet: # 6 MIOR

Air International System



CN1054

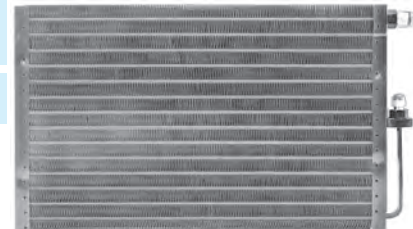
Mitsubishi L300 SF-SH Starwagon, 8/86-6/94

Length: 584mm
Height: 355mm
Thickness: 22mm

Inlet: # 8 MF
Outlet: # 6 MF

RD0134

R12 Fitting Profile



CN7039

Mitsubishi L400 WA Starwagon, 6/94-6/95

Length: 550mm
Height: 330mm
Thickness: 22mm

Inlet: Pad
Outlet: Pad

RD7037

Dual A/C
CAD311B063M
Japanese System



CN5882

Mitsubishi Lancer CJ, 10/07>

Length: 655mm
Height: 410mm
Thickness: 16mm

Inlet: Pad
Outlet: Pad

7812A030



CN5881

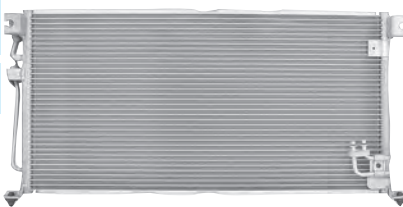
Mitsubishi Lancer CH Sedan, 8/03>

Length: 712mm
Height: 350mm
Thickness: 16mm

Inlet: Pad
Outlet: Pad

RD7071

MN151100



CN5578

Mitsubishi Lancer CG Sedan, 6/02-8/03

Length: 713mm
Height: 350mm
Thickness: 16mm

Inlet: Pad
Outlet: Pad

RD7071

MR500441



CN5151

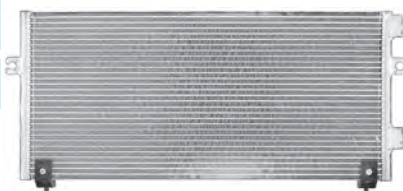
Mitsubishi Lancer CE Sedan, 1/99-5/02
Mitsubishi Lancer CE, Coupe, 1/99-5/02

Length: 660mm
Height: 300mm
Thickness: 16mm

Inlet: Pad
Outlet: Pad

RD7039

Will not fit wagon
Air International System



CN5149

Mitsubishi Lancer CE Wagon, 7/96>
Mitsubishi Lancer CC Sedan, Wagon, Coupe, 6/92-4/96

Length: 657mm
Height: 317mm
Thickness: 16mm

Inlet: Pad
Outlet: Pad

RD6109, RD7023
RD7039 - CE Wagon

AW337203



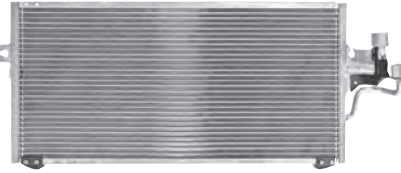
CN5323
Mitsubishi Lancer CE Sedan, 5/96-12/98
Mitsubishi Lancer CE Coupe, 5/96-12/98

Length: 658mm
Height: 308mm
Thickness: 16mm

Inlet: Pad
Outlet: Pad

RD7039

Air International System




CN5148
Mitsubishi Lancer CA, CB, 6/88-6/92
Mitsubishi Lancer CC Hatch, 4/92-4/96

Length: 588mm
Height: 320mm
Thickness: 26mm

Inlet: # 8 MIOR
Outlet: Pad

RD0112, RD7023

AW321201




CN5515
Mitsubishi Magna TL, TW, 6/03-9/05
Mitsubishi Verada KL, KW, 6/03-9/05

Length: 690mm
Height: 330mm
Thickness: 22mm

Inlet: Pad
Outlet: Pad

RD7101




CN5513
Mitsubishi Magna TJ, 8/00-6/03
Mitsubishi Verada KJ, 8/00-6/03

Length: 685mm
Height: 338mm
Thickness: 16mm

Inlet: Pad
Outlet: Pad

RD7039 (imperial)
 RD7061 (metric)

Inc AWD models



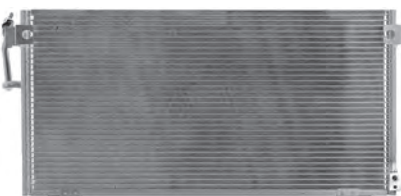
CN5512
Mitsubishi Magna TE, TF, TH, TJ, 2/96-8/00
Mitsubishi Verada KE, KF, KH, KJ, 2/96-8/00

Length: 688mm
Height: 338mm
Thickness: 16mm

Inlet: Pad
Outlet: Pad

RD7023 (TE)
 RD7039 (TF, TH, TJ)

AW338589
 Includes AL5513




CN5412
Mitsubishi Magna TS, 3/94-3/96
Mitsubishi Verada KS, 3/94-3/96

Length: 675mm
Height: 354mm
Thickness: 22mm

Inlet: M22 x 1.5 MIOR
Outlet: M16 x 1.5 MIOR

RD7001

R134a Fitting Profile
 AW335845




CN5412D
Mitsubishi Magna TS, 3/94-3/96
Mitsubishi Verada KS, 3/94-3/96

Length: 675mm
Height: 354mm
Thickness: 22mm

Inlet: M22 x 1.5 MIOR
Outlet: M16 x 1.5 MIOR

RD7001

R134a Fitting Profile
 AW335845




CN5312
Mitsubishi Magna TR, 7/91-3/94
Mitsubishi Verada KR, 7/91-3/94

Length: 675mm
Height: 354mm
Thickness: 22mm

Inlet: # 8 MIOR
Outlet: # 5 MIOR

RD7005

R12 Fitting Profile
 AW328623




CN5312D
Mitsubishi Magna TR, 7/91-3/94
Mitsubishi Verada KR, 7/91-3/94

Length: 675mm
Height: 354mm
Thickness: 22mm

Inlet: # 8 MIOR
Outlet: # 5 MIOR

RD7005

R12 Fitting Profile




CN1312
Mitsubishi Magna TN, TP, 7/87-7/91

Length: 708mm
Height: 362mm
Thickness: 22mm

Inlet: # 8 MIOR
Outlet: # 5 MIOR

RD6310



CN1193
Mitsubishi Magna TM, 7/85-7/87

Length: 637mm
Height: 360mm
Thickness: 22mm

Inlet: # 8 MIOR
Outlet: # 5 MIOR

RD6310



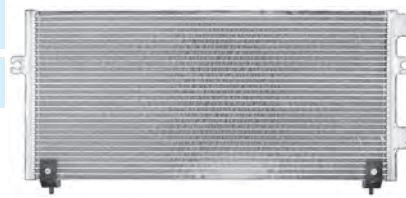
CN5151
Mitsubishi Mirage CE, 1/99-5/02

Length: 660mm
Height: 300mm
Thickness: 16mm

Inlet: Pad
Outlet: Pad

RD7039

Air International System



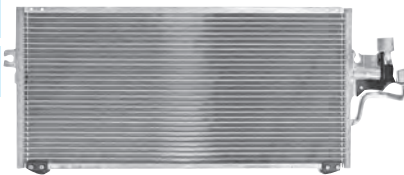
CN5323
Mitsubishi Mirage CE, 5/96-12/98

Length: 658mm
Height: 308mm
Thickness: 16mm

Inlet: Pad
Outlet: Pad

RD7039

Air International System



CN7043
Mitsubishi Nimbus UG, 11/98>

Length: 780mm
Height: 453mm
Thickness: 16mm

Inlet: Pad
Outlet: Pad

RD4050



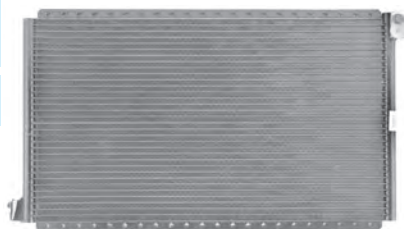
CN7020
Mitsubishi Nimbus UF, 6/91-8/98

Length: 610mm
Height: 360mm
Thickness: 21mm

Inlet: Pad
Outlet: Pad

RD6109

R134a Fitting Profile
AW344795



CN1198
Mitsubishi Nimbus UA, UB, 85-87

Length: 480mm
Height: 410mm
Thickness: 35mm

Inlet: # 8 MF
Outlet: # 6 MF

RD6159

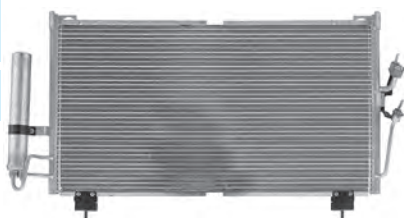


CN6332
Mitsubishi Outlander, 04>

Length: 714mm
Height: 384mm
Thickness: 16mm

Inlet: Pad
Outlet: Pad

MR958462



CN5882
Mitsubishi Outlander, 11/07>

Length: 655mm
Height: 410mm
Thickness: 16mm

Inlet: Pad
Outlet: Pad

7812A030



CN5177
Mitsubishi Pajero IO, QA, 11/98-2/02

Length: 730mm
Height: 310mm
Thickness: 20mm

Inlet: Pad
Outlet: Pad

RD7077

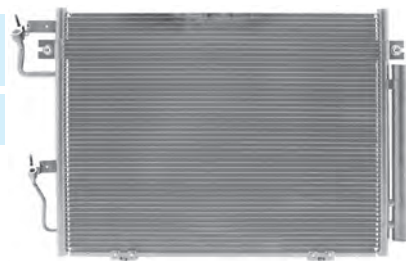


CN7068
Mitsubishi Pajero NS, 3.2Lt Diesel, 3.8Lt V6 Petrol
11/06-9/08

Length: 608mm
Height: 437mm
Thickness: 17mm

Inlet: Pad
Outlet: Pad

7812A156



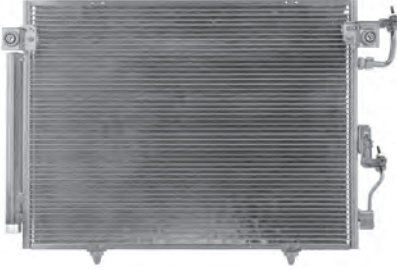
CN7041
Mitsubishi Pajero NM, NP, 5/00>

Length: 670mm
Height: 500mm
Thickness: 16mm

Inlet: Pad
Outlet: Pad

RD4050

MH123332
MR513110

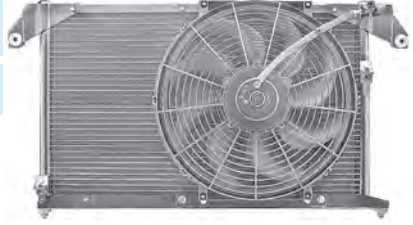


CN7042
Mitsubishi Pajero NJ, V6

Length: 600mm
Height: 372mm
Thickness: 22mm

Inlet: Pad
Outlet: Pad

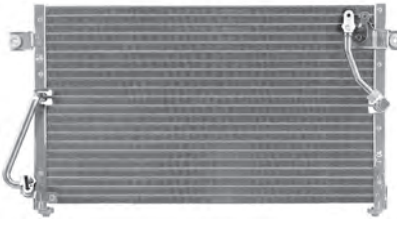
Includes fan
Air International System



CN5428
Mitsubishi Pajero NJ, NK, NL, 3.5Lt V6, 7/93-5/00

Length: 650mm
Height: 365mm
Thickness: 32mm


Inlet: Pad
Outlet: Pad



CN5158
Mitsubishi Pajero NJ, NK, NL, 2.8Lt Diesel, 8/93>

Length: 608mm
Height: 321mm
Thickness: 16mm

Inlet: Pad
Outlet: Pad




CN5150
Mitsubishi Pajero NJ, NK 3.0Lt V6, 7/93-7/97

Length: 651mm
Height: 372mm
Thickness: 22mm

Inlet: Pad
Outlet: Pad

RD7001

338671




CN5150D
Mitsubishi Pajero NJ, NK, 3.0Lt V6, 7/93-7/97

Length: 651mm
Height: 372mm
Thickness: 22mm

Inlet: Pad
Outlet: Pad

RD7001




CN7030
Mitsubishi Pajero NH, 2/91-8/93

Length: 657mm
Height: 365mm
Thickness: 25mm

Inlet: # 8 MIOR
Outlet: # 6 MIOR

RD6159

R12 Fitting Profile
AW333202
Air International System



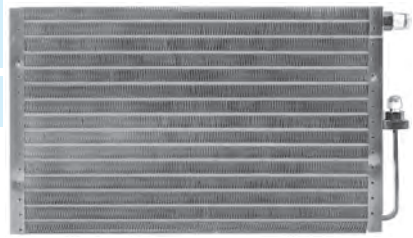
CN1054
Mitsubishi Pajero NF, NG, Petrol

Length: 584mm
Height: 355mm
Thickness: 22mm

Inlet: # 8 MF
Outlet: # 6 MF

RD0134

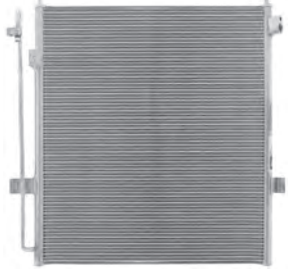
R12 Fitting Profile



CN7067
Mitsubishi Triton ML, Turbo Diesel, 7/06>

Length: 465mm
Height: 508mm
Thickness: 16mm

Inlet: Pad
Outlet: Pad



CN7063
Mitsubishi Triton ML, 7/06>

Length: 465mm
Height: 435mm
Thickness: 16mm

Inlet: Pad
Outlet: Pad

7812A171



CN7052
Mitsubishi Triton MK, 7/02>

Length: 577mm
Height: 345mm
Thickness: 22mm

Inlet: Pad
Outlet: Pad

MR925830



CN7051
Mitsubishi Triton MK, 6/01-6/02

Length: 577mm
Height: 345mm
Thickness: 22mm

Inlet: # 6 MIOR
Outlet: Pad

MR925721



CN3905
Mitsubishi Triton MK, 6/96-5/01

Length: 518mm
Height: 353mm
Thickness: 16mm

Inlet: # 8 MIOR
Outlet: # 5 MIOR

RD7039, RD7061

AW351311



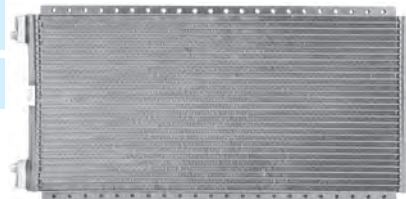
CN7033
Mitsubishi Triton MJ, 6/94-5/95

Length: 610mm
Height: 305mm
Thickness: 20mm

Inlet: Pad
Outlet: Pad

RD6109

Air International System



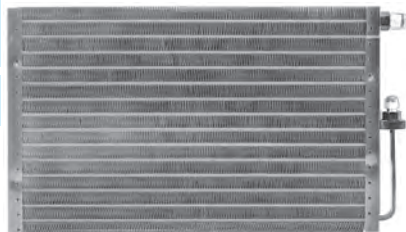
CN1054
Mitsubishi Triton ME, MJ, 3/86-6/94

Length: 584mm
Height: 355mm
Thickness: 22mm

Inlet: # 8 MF
Outlet: # 6 MF

RD0134

R12 Fitting Profile

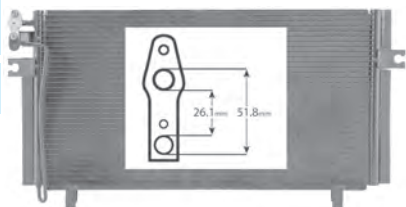


CN5049
Nissan 200SX S14, >10/98

Length: 680mm
Height: 350mm
Thickness: 20mm

Inlet: Pad
Outlet: Pad

RD7041

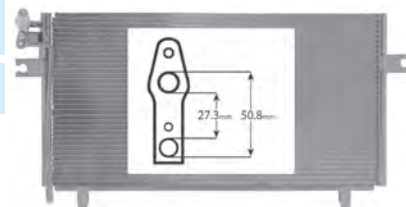


CN5059
Nissan 200SX S14, 10/98-9/00

Length: 680mm
Height: 350mm
Thickness: 20mm

Inlet: Pad
Outlet: Pad

RD7041



CN5539
Nissan 350Z, 2/03>

Length: 731mm
Height: 392mm
Thickness: 16mm

Inlet: Pad
Outlet: Pad



CN5329
Nissan Bluebird U13, 7/93-3/97

Length: 733mm
Height: 351mm
Thickness: 16mm

Inlet: Pad dia. 13.9mm
Outlet: Pad dia. 9.0mm

RD7036

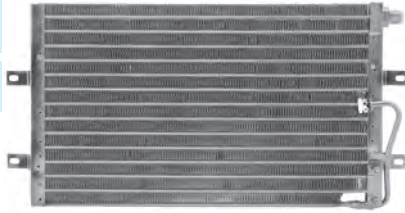
92110-3E600
Not interchangeable with
CN5332, CN5335



CN1138
Nissan Bluebird, Series I & II

Length: 576mm
Height: 333mm
Thickness: 25mm

Inlet: # 8 MIOR
Outlet: # 6 FOR




CN5309
Nissan Maxima J32, 4/09>

Length: 669mm
Height: 372mm
Thickness: 16mm

Inlet: Pad
Outlet: Pad

Includes Lead pipes




CN5356
Nissan Maxima J31, 10/03>

Length: 765mm
Height: 348mm
Thickness: 16mm

Inlet: Pad
Outlet: Pad

RD5179




CN5342
Nissan Maxima CA33, 10/99-10/03

Length: 732mm
Height: 378mm
Thickness: 16mm

Inlet: Pad
Outlet: Pad

RD6117



CN5332
Nissan Maxima A32, 6/96>

Length: 733mm
Height: 390mm
Thickness: 16mm

Inlet: Pad dia. 15.5mm
Outlet: Pad dia. 10.15mm

Not interchangeable with CN5335



CN5335
Nissan Maxima A32, 11/94-6/96

Length: 732mm
Height: 391mm
Thickness: 16mm

Inlet: Pad dia. 13.9mm
Outlet: Pad dia. 9.0mm

RD7036

Not interchangeable with CN5332




CN5328
Nissan Maxima J30, 2/90-10/94

Length: 734mm
Height: 360mm
Thickness: 22mm

Inlet: Pad
Outlet: Pad

RD7024 (2/90-10/92)
RD7026 (10/92-93)
RD7036 (10/93-10/94)




CN6392
Nissan Micra K13, 10>

Length: 515mm
Height: 372mm
Thickness: 16mm

Inlet: Pad
Outlet: Pad

92100-1HS0A
92110-1HS0A

 Picture unavailable at time of printing refer www.cooldrive.com.au

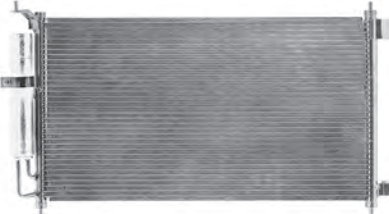
CN6542
Nissan Micra, 07>

Length: 650mm
Height: 350mm
Thickness: 16mm

Inlet: Pad
Outlet: Pad

RD5179

92110-EF50A




CN5324
Nissan Micra K11E, 7/95-7/98

Length: 687mm
Height: 300mm
Thickness: 16mm

Inlet: Pad
Outlet: M16 x 1.5 MIOR

RD7038

Japanese system
92110-531300

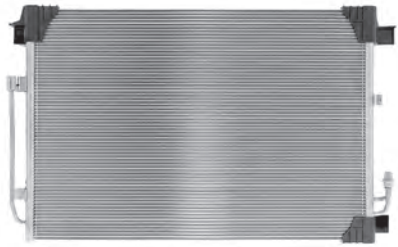


CN5692
Nissan Murano Z51, 3.5Lt, 1/09>

Length: 696mm
Height: 458mm
Thickness: 16mm

Inlet: Pad
Outlet: Pad

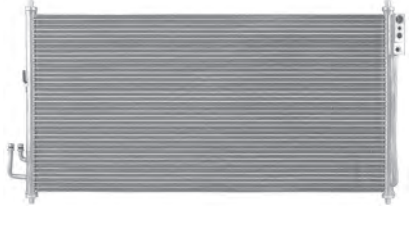
92110-1AA0A



CN5368
Nissan Murano Z50, 3.5Lt, 7/05-1/09

Length: 768mm
Height: 368mm
Thickness: 16mm

Inlet: Pad
Outlet: Pad

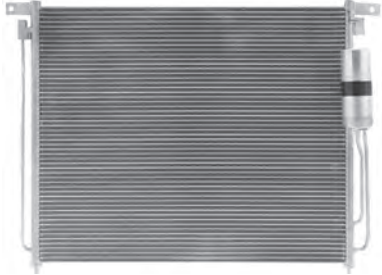


CN5499
Nissan Navara D40, 07>

Length: 674mm
Height: 542mm
Thickness: 16mm

Inlet: Pad
Outlet: Pad

92100-EB70A
VIN = M Prefix

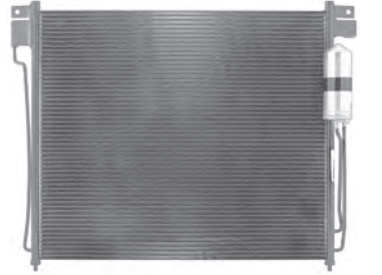


CN5500
Nissan Navara D40, 07>
Nissan Pathfinder R51, 06>

Length: 690mm
Height: 560mm
Thickness: 16mm

Inlet: Pad
Outlet: Pad

92100-EB01A
VIN = V Prefix




CN5336
Nissan Navara D22, 2/97>
Nissan Navara D22A, Petrol & Diesel 3/99>

Length: 730mm
Height: 330mm
Thickness: 16mm

Inlet: Pad
Outlet: # 6 MCOR

RD7041

92110-3S401



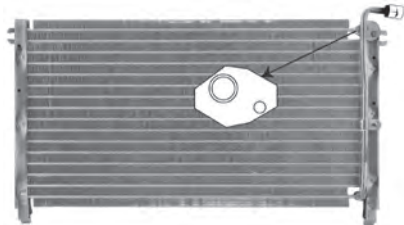
CN7038
Nissan Navara D21, 10/87-7/94
Nissan Pathfinder WD21, 8/86-7/94

Length: 690mm
Height: 354mm
Thickness: 22mm

Inlet: Pad
Outlet: M20 x 1.5 FOR

RD5010

Japanese System




CN5343
Nissan Pathfinder R50, 9/99>

Length: 732mm
Height: 390mm
Thickness: 16mm

Inlet: # 8 MIOR
Outlet: Pad

92110-2W101
92110-2W100



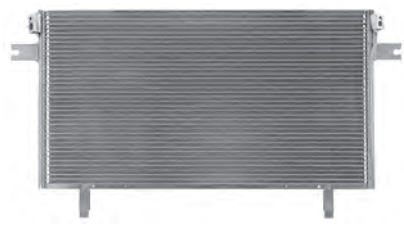
CN5338
Nissan Pathfinder R50, 8/97-9/99

Length: 730mm
Height: 392mm
Thickness: 16mm

Inlet: Pad
Outlet: Pad

RD7040

92110-0W001




CN6549
Nissan Patrol GU, 10/04>

Length: 790mm
Height: 370mm
Thickness: 16mm

Inlet: Pad
Outlet: Pad


92110-VC800


 Picture unavailable at time of printing
 refer www.cooldrive.com.au

CN5346
Nissan Patrol Y61, TY61 Ute, 10/97-9/01

Length: 765mm
Height: 400mm
Thickness: 16mm

Inlet: Pad
Outlet: Pad




CN5330
Nissan Patrol Y60, 10/94>

Length: 730mm
Height: 350mm
Thickness: 16mm

Inlet: Pad
Outlet: M16 x 1.5 MIOR

RD7036

92101-52N00




CN5325
Nissan Patrol Y60 GQ, 8/87-10/94

Length: 737mm
Height: 360mm
Thickness: 22mm

Inlet: # 8 MIOR
Outlet: # 6 MIOR

RD6359

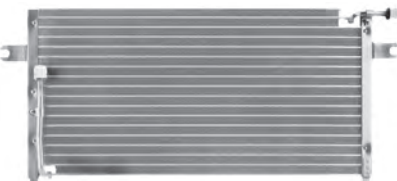


CN5327
Nissan Patrol Y60 GQ, 8/87-10/94

Length: 737mm
Height: 356mm
Thickness: 22mm

Inlet: M20 x 1.5 MIOR
Outlet: M20 x 1.5 MIOR

RD9300 (dual)
RD5010 (single)



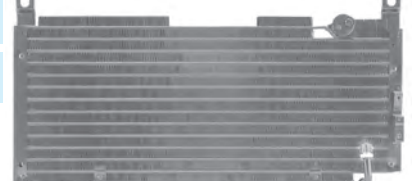
CN1172
Nissan Pulsar N13, 5/87-9/91

Length: 678mm
Height: 312mm
Thickness: 22mm

Inlet: Pad
Outlet: # 6 MIOR

RD0134

Not TI Model




CN5583
Nissan Pulsar N16 Sedan, 6/03>
Nissan Pulsar N16 Hatch, 9/01>

Length: 730mm
Height: 307mm
Thickness: 16mm

Inlet: Pad
Outlet: Pad

RD7068, RD5178

92100BM407
92100BM405
Drier at angle from condenser



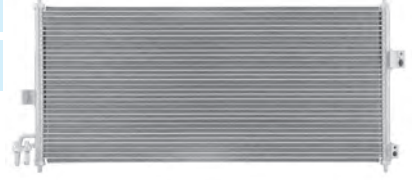
CN5576
Nissan Pulsar N16 Sedan, 5/00-6/03
Nissan Pulsar N16 Hatch, 4/01-9/01

Length: 733mm
Height: 309mm
Thickness: 19mm

Inlet: Pad
Outlet: Pad

RD5176

R134a Fitting Profile




CN5174
Nissan Pulsar N15, 2/97-6/00

Length: 690mm
Height: 290mm
Thickness: 16mm

Inlet: Pad dia. 15.4mm
Outlet: # 6 FOR

RD7041 (2/97-4/98)
RD6117 (4/98-7/00)

R134a Fitting Profile



CN5173
Nissan Pulsar N15, 8/95-11/97

Length: 690mm
Height: 290mm
Thickness: 16mm

Inlet: Pad dia. 12.6 mm
Outlet: M16 x 1.5 MIOR

RD7053

NI921100N013



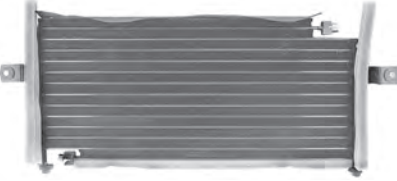
CN4702
Nissan Pulsar N15

Length: 675mm
Height: 285mm
Thickness: 25mm

Inlet: # 8 MIOR
Outlet: # 6 MIOR

RD7039

Air International system



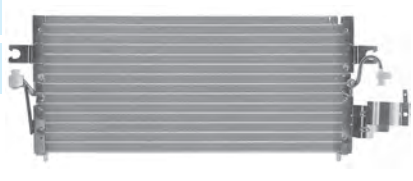
CN5172
Nissan Pulsar N14, 10/91-9/95

Length: 693mm
Height: 298mm
Thickness: 22mm

Inlet: Pad
Outlet: Pad

RD7006

5573465410
9211052C00



CN1311

Nissan Pulsar N12 Turbo, 4/86-6/87

Length: 642mm
Height: 292mm
Thickness: 22mm

Inlet: # 6 MIOR
Outlet: # 6 MIOR



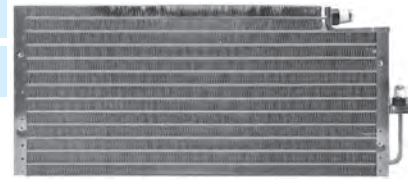
CN1069

Nissan Pulsar N12

Length: 678mm
Height: 310mm
Thickness: 22mm

Inlet: # 8 MF
Outlet: # 6 MF

RD0134



CN5311

Nissan Terrano II, R20 2.7Lt TDi, 3/97-6/00

Length: 680mm
Height: 370mm
Thickness: 16mm

Inlet: M20 x 1.5 MIOR
Outlet: M16 x 1.5 MIOR

RD7036

Auto Transmission



CN6542

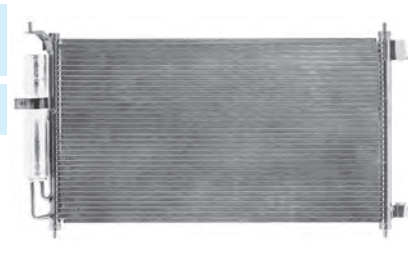
Nissan Tiida, 2/06>

Length: 650mm
Height: 350mm
Thickness: 16mm

Inlet: Pad
Outlet: Pad

RD5179

92110-EF50A



CN0068

Nissan UD MK245, 03>

Length:
Height:
Thickness:

Inlet:
Outlet:



Picture unavailable at time of printing refer www.cooldrive.com.au

Air 2000 system

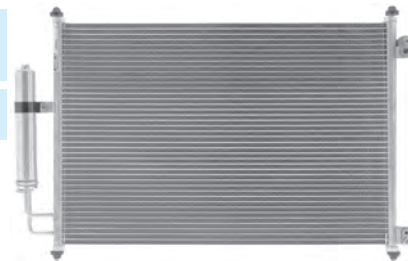
CN5590

Nissan X-Trail T31, 10/07>

Length: 640mm
Height: 411mm
Thickness: 16mm

Inlet: Pad
Outlet: Pad

92100-JG000



CN5577

Nissan X-Trail T30, 9/01-9/07

Length: 730mm
Height: 372mm
Thickness: 16mm

Inlet: Pad
Outlet: Pad

RD7068

92100-9H200
Has dowel hole in inlet pad



CN5579

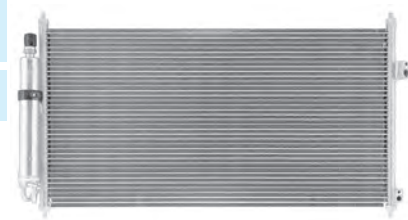
Nissan X-Trail T30, 9/01-9/07

Length: 730mm
Height: 372mm
Thickness: 16mm

Inlet: Pad
Outlet: Pad

RD7068

No dowel hole in inlet pad



Peterbilt/Peugeot

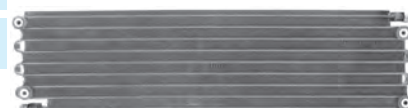
CN0580

Peterbilt

Length: 800mm
Height: 216mm
Thickness: 38mm

Inlet: # 8 MIOR
Outlet: # 6 MIOR

77R0580

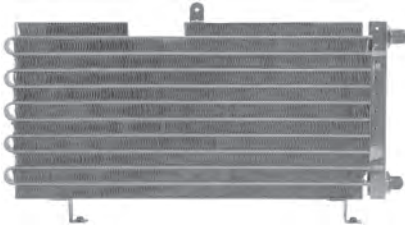


CN5320
Peugeot 205, 10/87-4/94

Length: 550mm
Height: 260mm
Thickness: 25mm

Inlet: # 8 MIOR
Outlet: # 6 MIOR

RD0205
6455L4

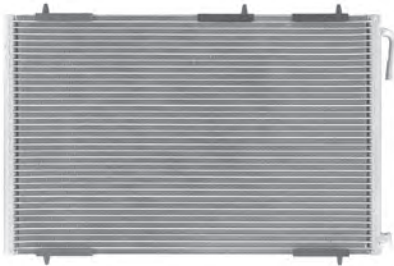


CN5345
Peugeot 206, 4/99-8/03

Length: 590mm
Height: 368mm
Thickness: 16mm

Inlet: FSL
Outlet: Pad

RD0206
6455X9

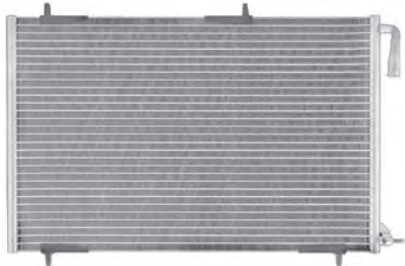


CN5462
Peugeot 206, 9/98-03

Length: 590mm
Height: 364mm
Thickness: 16mm

Inlet: FSL
Outlet: Pad

RD0206
6455CH
818000

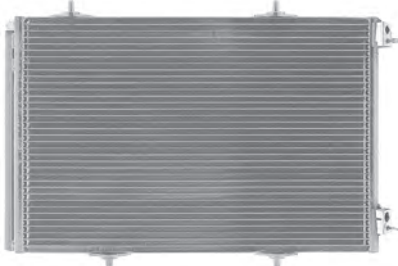


CN5522
Peugeot 207, 06>

Length: 557mm
Height: 362mm
Thickness: 16mm

Inlet: Pad
Outlet: Pad

6455HG
6455EK




CN5334
Peugeot 306 XR, XT, 6/93-3/02

Length: 575mm
Height: 325mm
Thickness: 17mm

Inlet: Pad
Outlet: # 6 FOR

RD1306
6455V9




CN4075
Peugeot 306 XR, XT, 6/93-4/97

Length: 615mm
Height: 343mm
Thickness: 16mm

Inlet: # 8 FOR
Outlet: Pad

RD0306
6455Q9
9618923980
7036226405

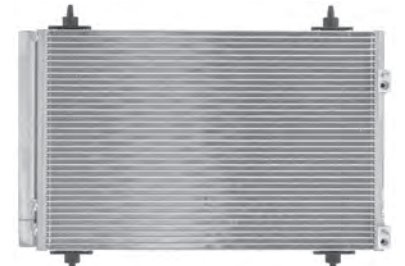


CN5459
Peugeot 307 HDI, 04>

Length: 570mm
Height: 360mm
Thickness: 16mm

Inlet: Pad
Outlet: Pad

RD4050
9650545480
6455CX

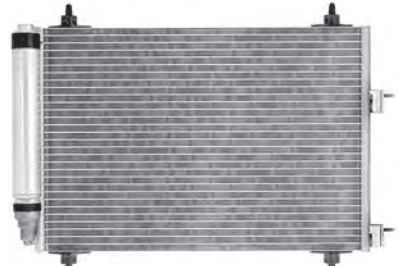


CN5351
Peugeot 307, 4/01>

Length: 555mm
Height: 367mm
Thickness: 16mm

Inlet: Pad
Outlet: Pad

RD7067
6455AA

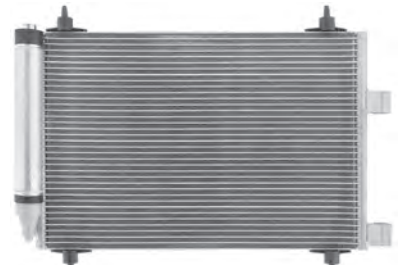


CN5473
Peugeot 307

Length: 553mm
Height: 362mm
Thickness: 16mm

Inlet: Pad
Outlet: Pad

RD7067
6455AC

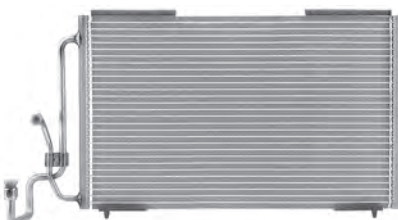


CN4073
Peugeot 405 MK2, 8/92-5/96

Length: 592mm
Height: 355mm
Thickness: 16mm

Inlet: # 8 FOR
Outlet: # 6 FOR

6455R3



CN5322
Peugeot 405 MK2, 8/92-5/96

Length: 590mm
Height: 348mm
Thickness: 16mm

Inlet: # 8 FOR
Outlet: # 6 FOR

6455R3



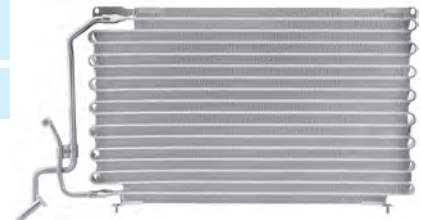
CN5321
Peugeot 405, 1/87-8/92

Length: 590mm
Height: 355mm
Thickness: 26mm

Inlet: # 8 FOR
Outlet: # 6 FOR

RD4005

6453C7



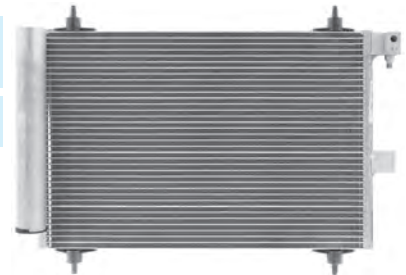
CN5357
Peugeot 406, 4 cyl, 6/00>
Peugeot 607, 6/00>

Length: 560mm
Height: 360mm
Thickness: 16mm

Inlet: Pad
Outlet: Pad

RD4050

6453EL
6455AS
6455CQ



CN5333
Peugeot 406

Length: 690mm
Height: 382mm
Thickness: 16mm

Inlet: MSL
Outlet: FSL

RD4006

6453V0

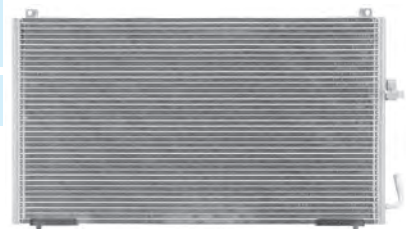


CN5341
Peugeot 406

Length: 690mm
Height: 380mm
Thickness: 16mm

Inlet: Pad
Outlet: FSL

RD4006



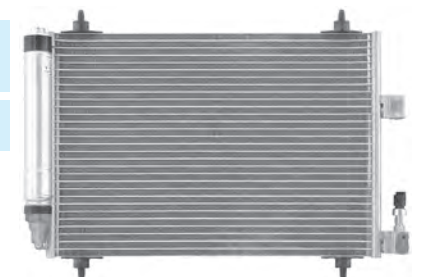
CN5521
Peugeot 407

Length: 552mm
Height: 365mm
Thickness: 16mm

Inlet: Pad
Outlet: Pad

RD7067

CA1458
876227Q
6455CP



**Porsche/Proton/
Range Rover**

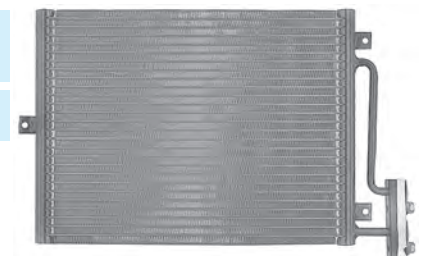
CN5517
Porsche 911 Carrera
Porsche Boxster

Length: 370mm
Height: 270mm
Thickness: 19mm

Inlet: Pad
Outlet: Pad

RD4055

99657311100



CN6532
Porsche Cayenne, 8/06>

Length: 700mm
Height: 390mm
Thickness: 16mm

Inlet: Pad
Outlet: Pad

RD4055

7L0820411G



CN5147
Proton Persona, 1.5, 1.6Lt, 95-00
Proton Satria, 1.6, 1.8Lt, 95-00
Proton Wira, 1.6Lt, 95-00

Length: 630mm
Height: 293mm
Thickness: 22mm

Inlet: M22 x 1.5 MIOR
Outlet: M16 x 1.5 MIOR

RD7001

Auto Transmission



CN5078
 Proton Persona 1.3Lt, 95-00
 Proton Satria, 1.3, 1.5Lt, 95-00
 Proton Wira, 1.5Lt, 95-00

Length: 385mm
Height: 315mm
Thickness: 33mm

Inlet: M22 x 1.5 MIOR
Outlet: M16 x 1.5 MIOR

RD7001
 Manual Transmission




CN5227
 Range Rover, 94>

Length: 618mm
Height: 553mm
Thickness: 32mm

Inlet: Pad
Outlet: Pad

RD5561




CN3150
 Range Rover, 86-91

Length: 695mm
Height: 348mm
Thickness: 32mm

Inlet: # 8 FOR
Outlet: # 6 FOR

Will not fit models with fan rails top & bottom




CN5135
 Range Rover Sport, 2.4Lt, 06>

Length: 610mm
Height: 442mm
Thickness: 16mm

Inlet: Pad
Outlet: Pad

JRB500140


 Picture unavailable at time of printing refer www.cooldrive.com.au

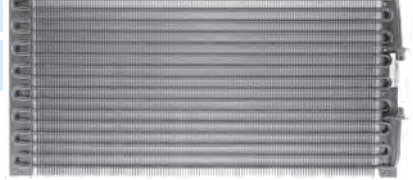


CN1661
 Red Dot, Grilldenser
 General Application

Length: 883mm
Height: 419mm
Thickness: 24mm

Inlet: # 8 MIOR
Outlet: # 6 MIOR

77R5250

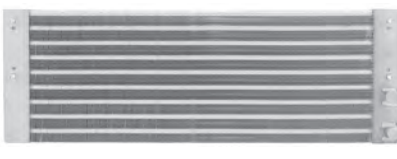


CN0260
 Red Dot, Suits R-2110

Length: 629mm
Height: 232mm
Thickness: 57mm

Inlet: # 8 MIOR
Outlet: # 6 MIOR

77R0260

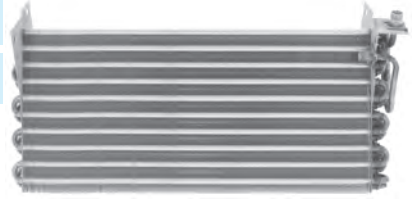


CN0620
 Red Dot, Suits R-6100, R-6160

Length: 592mm
Height: 305mm
Thickness: 82mm

Inlet: # 8 MIOR
Outlet: # 6 MIOR

77R0620




CN0630
 Red Dot, Suits R-6260

Length: 648mm
Height: 546mm
Thickness: 64mm

Inlet: # 8 MIOR
Outlet: # 6 MIOR

77R0630



 Picture unavailable at time of printing refer www.cooldrive.com.au

CN0110
 Red Dot, Suits R-9720

Length: 668mm
Height: 232mm
Thickness: 76mm

Inlet: # 6 MIOR
Outlet: # 6 MIOR

77R0110

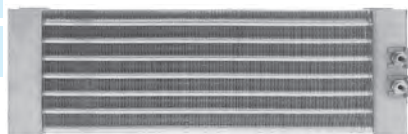


CN0090
Red Dot, Suits R-9725

Length: 572mm
Height: 183mm
Thickness: 64mm

Inlet: # 6 MIOR
Outlet: # 6 MIOR

77R0090

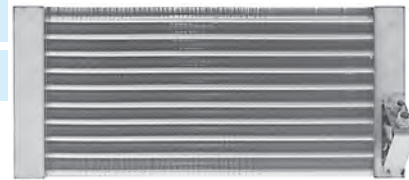


CN0350
Red Dot, Suits R-9727

Length: 575mm
Height: 257mm
Thickness: 70mm

Inlet: # 8 MIOR
Outlet: # 6 MIOR

77R0350

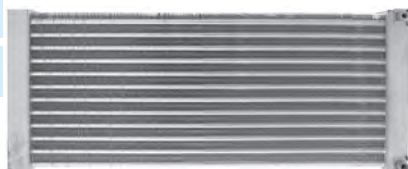


CN0800
Red Dot, Suits R-9730

Length: 775mm
Height: 317mm
Thickness: 83mm

Inlet: # 8 MIOR
Outlet: # 6 MIOR

77R0800

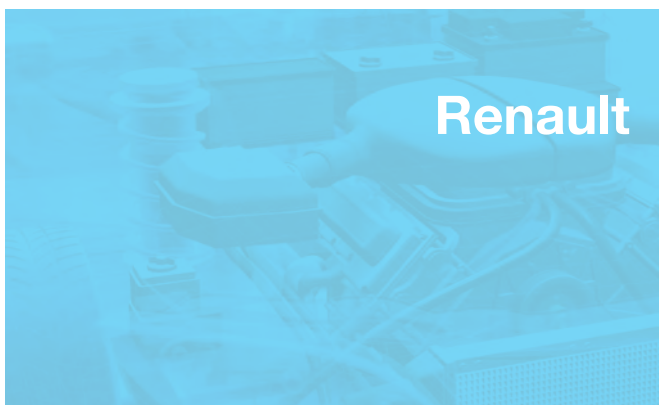
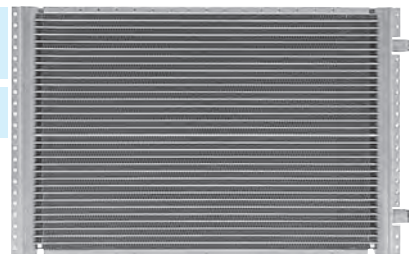


CN9777
Red Dot, Suits R-9777

Length: 553mm
Height: 355mm
Thickness: 19mm

Inlet: # 8 MIOR
Outlet: # 6 MIOR

77R1290



CN5277
Renault 21

Length: 653mm
Height: 290mm
Thickness: 22mm

Inlet: # 8 MIOR
Outlet: # 6 MIOR



CN5595
Renault Clio, 9/05>

Length: 545mm
Height: 377mm
Thickness: 16mm

Inlet: Pad
Outlet: Pad

8200688393
8200443897



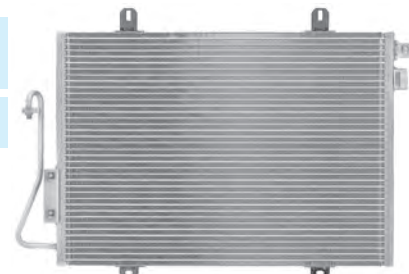
CN5585
Renault Clio 11, 1.4, 2.0Lt, 01>

Length: 550mm
Height: 377mm
Thickness: 16mm

Inlet: Pad
Outlet: Pad

RD0106

7700414103
CA1094



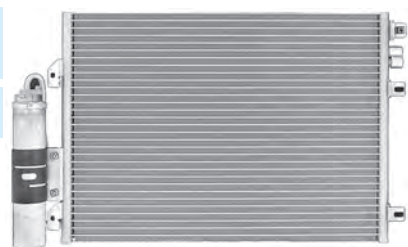
CN5582
Renault Clio, 01>
Renault Kangoo, 04>

Length: 548mm
Height: 380mm
Thickness: 19mm

Inlet: Pad
Outlet: Pad

RD0106

CA1246



CN5620
Renault Kangoo, 1.5, 1.9Lt, Diesel Turbo, 12/01>

Length: 504mm
Height: 340mm
Thickness: 16mm

Inlet: Pad
Outlet: Pad

8200137650
879997P



Picture unavailable at time of printing
refer www.cooldrive.com.au

CN5682
Renault Laguna II, 2.0, 3.0Lt, 3/02-1/06

Length: 660mm
Height: 390mm
Thickness: 16mm

Inlet: Pad
Outlet: Pad

8200332852
Includes Transducer


Picture unavailable at time of printing refer www.cooldrive.com.au

CN5255
Renault Laguna

Length: 600mm
Height: 430mm
Thickness: 22mm

Inlet: Male Form
Outlet: Male Form

RD0111
7701038227




CN5589
Renault Master, 9/04>

Length: 728mm
Height: 380mm
Thickness: 16mm

Inlet: Pad
Outlet: Pad


7701057122



CN5598
Renault Megane, 11/08>

Length: 685mm
Height: 354mm
Thickness: 16mm

Inlet: Pad
Outlet: Pad




CN5287
Renault Megane, 03>

Length: 643mm
Height: 398mm
Thickness: 16mm

Inlet: Pad
Outlet: Pad

RD7080
8200115543

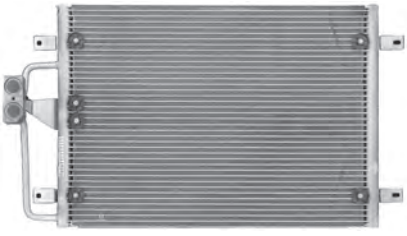


CN5580
Renault Megane, 5/01>
Renault Scenic, 5/01>

Length: 570mm
Height: 390mm
Thickness: 19mm

Inlet: Pad
Outlet: Pad

RD7080
7700432392




CN5581
Renault Megane, 01-03
Renault Scenic Privilege, 01-03

Length: 570mm
Height: 390mm
Thickness: 16mm

Inlet: Pad
Outlet: Pad

8200182361




CN5621
Renault Traffic, Diesel, 5/07>

Length: 580mm
Height: 461mm
Thickness: 17mm

Inlet: Pad
Outlet: Pad

8200411148

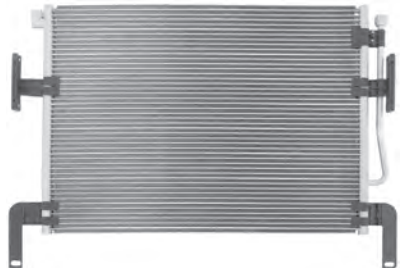
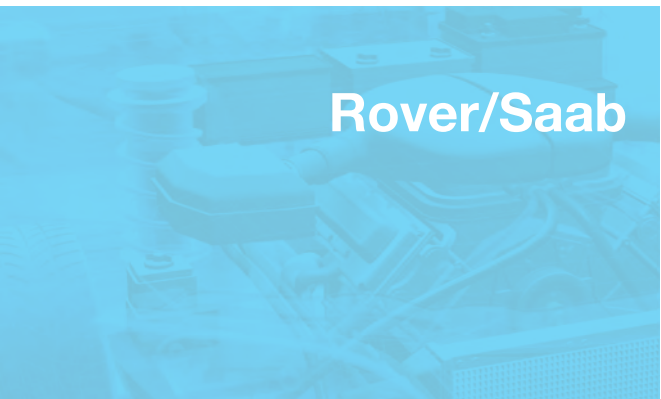


CN0080
Renault Truck, Kerax Series, 96>

Length: 590mm
Height: 462mm
Thickness: 16mm

Inlet: Pad
Outlet: Pad

5010315281

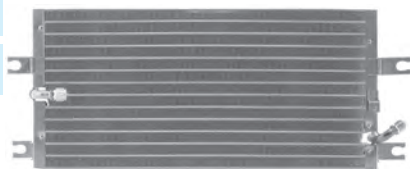



CN5262
Rover 416i, 5/86-10/89

Length: 674mm
Height: 312mm
Thickness: 22mm

Inlet: # 8 MIOR
Outlet: # 6 MIOR

38600SD2A22



CN5465
Rover 75, 3/99>

Length: 587mm
Height: 315mm
Thickness: 20mm

Inlet: Pad
Outlet: Pad

RD4050

JRB000140



CN4078
Saab 900, 9/93-98

Length: 550mm
Height: 352mm
Thickness: 21mm

Inlet: Pad
Outlet: Pad

RD9153

R134a Fitting Profile
4634937



CN5385
Saab 9000, 96-98

Length: 507mm
Height: 408mm
Thickness: 16mm

Inlet: # 8 MIOR
Outlet: # 6 MIOR

RD4165

R134a Fitting Profile
4755492



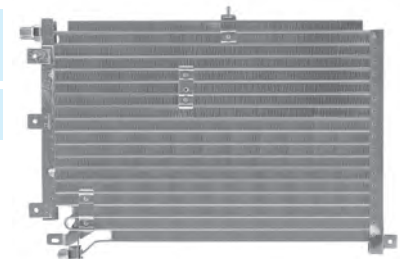
CN5141
Saab 9000, 91-95

Length: 578mm
Height: 406mm
Thickness: 22mm

Inlet: # 8 MIOR
Outlet: # 6 MIOR

RD4164

4074670
4382404



CN5142
Saab 9000, 85-8/91

Length: 578mm
Height: 380mm
Thickness: 22mm

Inlet: # 8 MIOR
Outlet: # 6 MIOR

9629403



CN5658
Saab 9-3, 1.9Lt TDi, 9/04>

Length: 657mm
Height: 408mm
Thickness: 17mm

Inlet: Pad
Outlet: Pad

12804660



CN5448
Saab 9-3, 1.8, 2.0Lt, 02>

Length: 660mm
Height: 413mm
Thickness: 16mm

Inlet: Pad
Outlet: Pad

12793296



CN5419
Saab 9-3, 98-03

Length: 550mm
Height: 350mm
Thickness: 16mm

Inlet: Pad
Outlet: Pad

RD9153

4758637



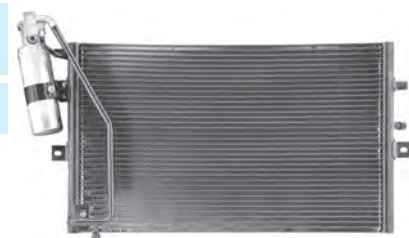
CN5527
Saab 9-5, 03>

Length: 640mm
Height: 360mm
Thickness: 22mm

Inlet: Pad
Outlet: Pad

RD9162

5048491

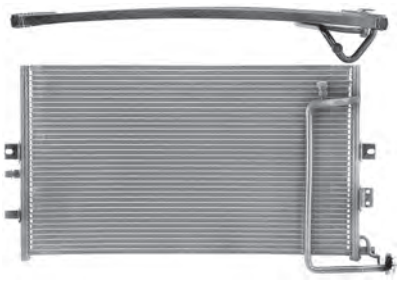
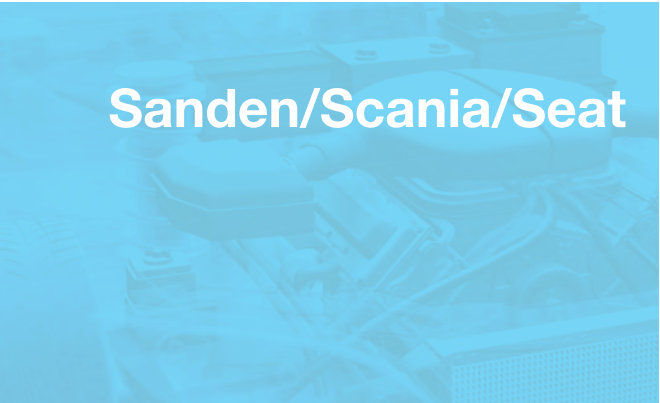


CN5143
Saab 9-5, 7/97-03

Length: 640mm
Height: 360mm
Thickness: 16mm

Inlet: Pad
Outlet: Pad

RD9162
4541215





Sanden/Scania/Seat

CN5136
Sanden Rooftop

Length: 600mm
Height: 212mm
Thickness: 45mm

Inlet: # 8 MF
Outlet: # 6 MF




CN6168
Scania 4 Series

Length: 820mm
Height: 453mm
Thickness: 26mm

Inlet: Pad
Outlet: Pad

1380374
1449779




CN6187
Scania Truck, R Series, 07>

Length: 738mm
Height: 390mm
Thickness: 16mm

Inlet: Pad
Outlet: Pad

1752264




CN6188
Scania Truck, 420, P, R & T Series, 04-08

Length: 760mm
Height: 382mm
Thickness: 16mm

Inlet: Pad
Outlet: Pad

1790840




CN5401
Seat Cordoba, 99>

Length: 588mm
Height: 360mm
Thickness: 16mm

Inlet: Pad
Outlet: Pad

RD5401
1J0820411B
1J0820413B

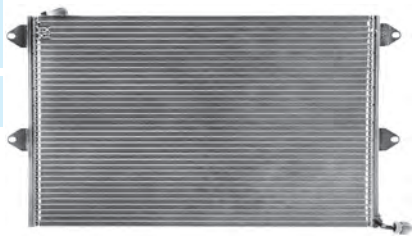


CN5414
Seat Cordoba, 1/95-10/99
Seat Ibiza, 1/95-10/99

Length: 607mm
Height: 370mm
Thickness: 16mm

Inlet: # 8 MIOR
Outlet: # 6 MIOR

6K0820413A
6K0820413B

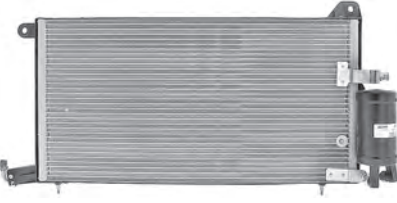
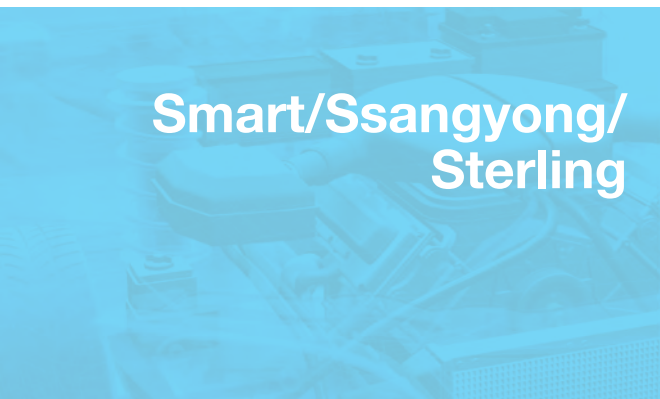


CN5432
Seat Toledo, 95-99

Length: 640mm
Height: 322mm
Thickness: 19mm

Inlet: # 8 MIOR
Outlet: # 6 MIOR

RD9777

Smart/Ssangyong/
Sterling

CN6590
Smart Fortwo, 1/07>

Length: 470mm
Height: 383mm
Thickness: 16mm

Inlet: Pad
Outlet: Pad

A4515000054

CN6525
Smart Roadster, 4/03>

Length: 589mm
Height: 269mm
Thickness: 16mm

Inlet: Pad
Outlet: Pad

RD7191
0010026V003

CN6527
Ssangyong Korando, Diesel, 98>

Length: 690mm
Height: 371mm
Thickness: 16mm

Inlet: Pad
Outlet: Pad

CN6529
Ssangyong Korando

Length: 691mm
Height: 372mm
Thickness: 16mm

Inlet: Pad
Outlet: Pad

CN1010
Ssangyong Musso, 3.2Lt Petrol, 7/96-7/98

Length: 695mm
Height: 368mm
Thickness: 16mm

Inlet: Pad
Outlet: Pad

RD7186
6841005033

CN1013
Ssangyong Musso, 2.9Lt Diesel, 7/96>

Length: 700mm
Height: 370mm
Thickness: 19mm

Inlet: Pad
Outlet: Pad

6841005040-X

CN6528
Ssangyong Rexton

Length: 650mm
Height: 455mm
Thickness: 16mm

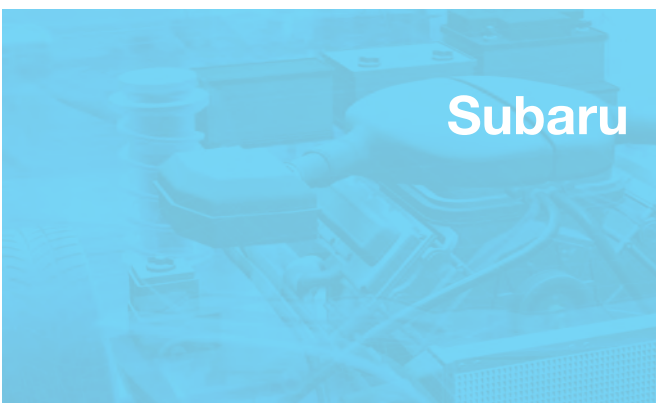
Inlet: Pad
Outlet: Pad

CN1330
Sterling Truck

Length: 751mm
Height: 489mm
Thickness: 19mm

Inlet: # 8 MIOR
Outlet: # 6 MIOR

77R1330



CN7048
Subaru Forester, 7/98>

Length: 680mm
Height: 360mm
Thickness: 16mm

Inlet: Pad
Outlet: Pad


RD7076
5037085422

CN6539
Subaru Forester, 98>

Length: 733mm
Height: 360mm
Thickness: 16mm

Inlet: Pad
Outlet: Pad

73210FC030




CN5138
Subaru Forester, 7/97-6/98

Length: 738mm
Height: 331mm
Thickness: 20mm

Inlet: Pad
Outlet: Pad

RD7040
5037084670

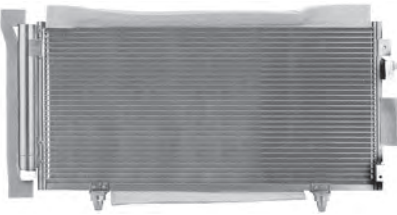


CN6552
Subaru Impreza, WRX Wagon, 08-09

Length: 660mm
Height: 311mm
Thickness: 16mm

Inlet: Pad
Outlet: Pad

73210FG000




CN5108
Subaru Impreza, WRX

Length: 741mm
Height: 318mm
Thickness: 16mm

Inlet: Pad
Outlet: Pad

RD7026
R12 Fitting Profile
73210FA110




CN5109
Subaru Impreza, WRX

Length: 741mm
Height: 318mm
Thickness: 16mm

Inlet: Pad
Outlet: Pad

RD7041
R134a Fitting Profile
73210FA170




CN7049
Subaru Impreza, 06>

Length: 675mm
Height: 310mm
Thickness: 16mm

Inlet: Pad
Outlet: Pad

RD4050
73210AG000
Denso system

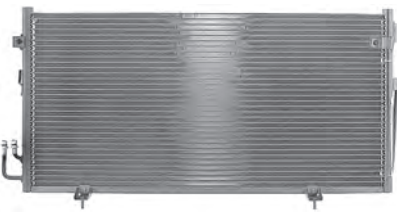


CN7109
Subaru Impreza G2, 1/03>

Length: 688mm
Height: 330mm
Thickness: 16mm

Inlet: Pad
Outlet: Pad

RD5179

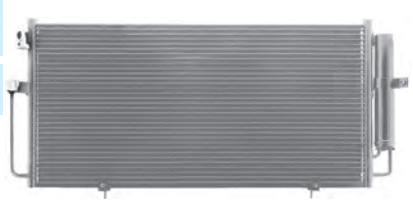


CN7110
Subaru Impreza G2, 00-02

Length: 690mm
Height: 341mm
Thickness: 16mm

Inlet: Pad
Outlet: Pad

73210FE000

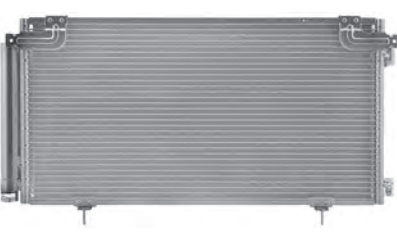


CN5111
Subaru Legacy, 10/99>

Length: 680mm
Height: 335mm
Thickness: 19mm

Inlet: Pad
Outlet: Pad

RD4050




CN5157
Subaru Legacy, 10/99>

Length: 650mm
Height: 330mm
Thickness: 19mm

Inlet: Pad
Outlet: Pad


RD4050
73210AE001



CN6541
Subaru Legacy, 9/94-1/97

Length: 730mm
Height: 310mm
Thickness: 16mm

Inlet: Pad
Outlet: Pad



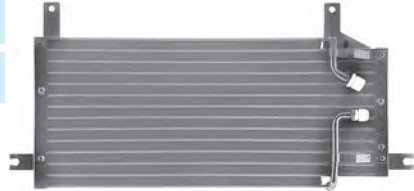
CN5105
Subaru Leone, 85>

Length: 650mm
Height: 277mm
Thickness: 25mm

Inlet: M20 x 1.5 MIOR
Outlet: M16 x 1.5 MIOR

RD7177

R134a Fitting Profile




CN7085
Subaru Liberty MY10, 10>

Length: 646mm
Height: 312mm
Thickness: 16mm

Inlet: Pad
Outlet: Pad

7321AJ0001


Picture unavailable at time of printing
refer www.cooldrive.com.au


CN7044
Subaru Liberty, 3/02>

Length: 642mm
Height: 322mm
Thickness: 16mm

Inlet: Pad
Outlet: Pad

RD4050

Jayair: CN7044J




CN6540
Subaru Liberty, 00-04

Length: 733mm
Height: 320mm
Thickness: 22mm

Inlet: Pad
Outlet: Pad

73210AE02A




CN5425
Subaru Liberty, 7/00-4/01
Subaru Liberty B4, 5/01-3/02

Length: 640mm
Height: 321mm
Thickness: 16mm

Inlet: Pad
Outlet: Pad

RD4050

73210AE060

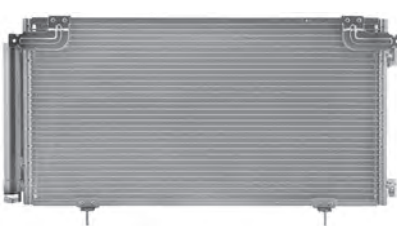


CN5111
Subaru Liberty, 10/99>

Length: 680mm
Height: 335mm
Thickness: 19mm

Inlet: Pad
Outlet: Pad

RD4050




CN5157
Subaru Liberty, 10/99>

Length: 650mm
Height: 330mm
Thickness: 19mm

Inlet: Pad
Outlet: Pad

RD4050


73210AE001



CN6541
Subaru Liberty, 9/94-1/97

Length: 730mm
Height: 310mm
Thickness: 16mm

Inlet: Pad
Outlet: Pad




CN5107
Subaru Liberty BD AWD, 6/94-9/98

Length: 731mm
Height: 321mm
Thickness: 16mm

Inlet: Pad
Outlet: Pad

RD7028

73210AC000



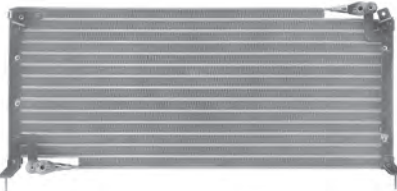
CN5106
Subaru Liberty BC AWD, 1/91-6/94

Length: 710mm
Height: 300mm
Thickness: 22mm

Inlet: Pad
Outlet: Pad

RD7026, RD7005

73020AA050




CN7049
Subaru Outback, 04>

Length: 675mm
Height: 310mm
Thickness: 16mm

Inlet: Pad
Outlet: Pad

RD4050

73210AG000
Denso system




CN7044
Subaru Outback, 3/02>

Length: 642mm
Height: 322mm
Thickness: 16mm

Inlet: Pad
Outlet: Pad

RD4050

Jayair: CN7044J

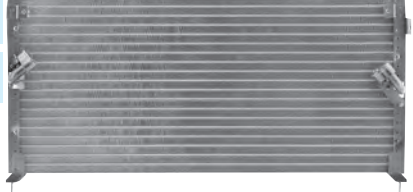


CN5107
Subaru Outback, 7/99>

Length: 731mm
Height: 321mm
Thickness: 16mm

Inlet: Pad
Outlet: Pad

73210AC000




CN5111
Subaru Outback, 7/99>

Length: 680mm
Height: 335mm
Thickness: 19mm

Inlet: Pad
Outlet: Pad

RD4050




CN5157
Subaru Outback, 7/99>

Length: 650mm
Height: 330mm
Thickness: 19mm

Inlet: Pad
Outlet: Pad

RD4050

73210AE001

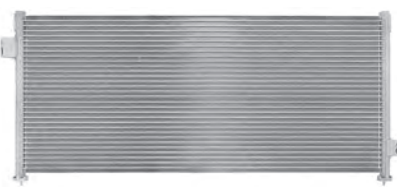


CN6544
Subaru Outback, 97-99

Length: 733mm
Height: 320mm
Thickness: 22mm

Inlet: Pad
Outlet: Pad

73210AC050




CN5475
Suzuki APV, 05>

Length: 470mm
Height: 453mm
Thickness: 16mm

Inlet: Pad
Outlet: Pad

95310-61J00

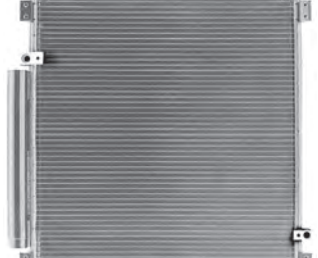


CN5475CG
Suzuki APV, 05>

Length: 470mm
Height: 453mm
Thickness: 16mm

Inlet: Pad
Outlet: Pad

95310-61J00



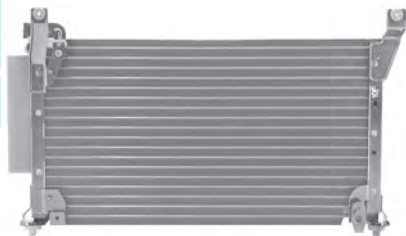
CN5063
Suzuki Baleno, 4/95-2/99

Length: 593mm
Height: 314mm
Thickness: 22mm

Inlet: Pad
Outlet: Pad

RD7028

95310-60G00
Denso system



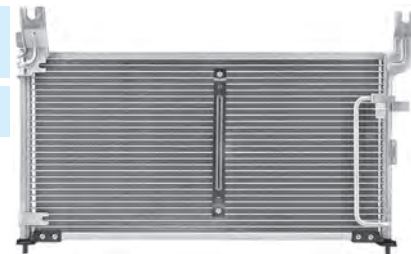
CN5058
Suzuki Baleno, 95-98

Length: 599mm
Height: 301mm
Thickness: 16mm

Inlet: Pad
Outlet: Pad

RD7028

95310-60G41
Showa system

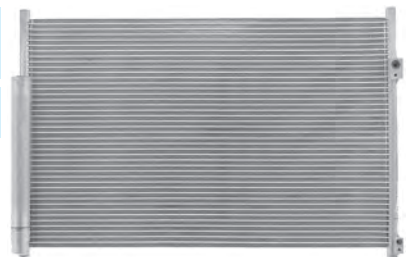


CN6551
Suzuki Grand Vitara, 1.6Lt 4 cyl, 9/05>
Suzuki Grand Vitara, 1.9Lt Turbo Diesel, 1/08>
Suzuki Grand Vitara, 2.7Lt V6, 9/05>

Length: 688mm
Height: 420mm
Thickness: 16mm

Inlet: Pad
Outlet: Pad

95310-64J00



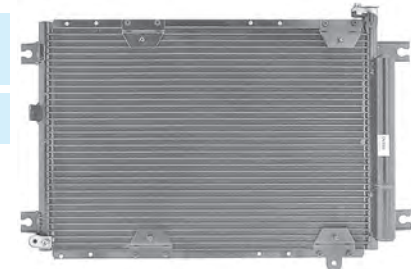
CN5068
Suzuki Grand Vitara, 99>

Length: 522mm
Height: 365mm
Thickness: 19mm

Inlet: Pad
Outlet: Pad

RD4050

95310-65D10

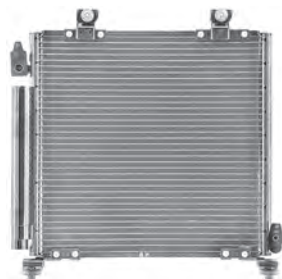


CN5067
Suzuki Ignis, 00>

Length: 390mm
Height: 358mm
Thickness: 16mm

Inlet: Pad
Outlet: Pad

RD4050

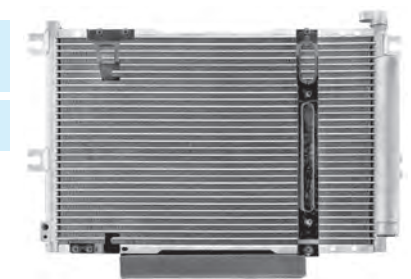


CN5490
Suzuki Jimny, 03>

Length: 493mm
Height: 322mm
Thickness: 16mm

Inlet: Pad
Outlet: Pad

95311-81A10

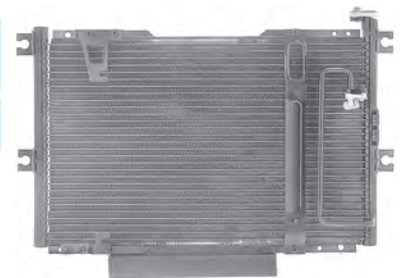


CN5497
Suzuki Jimny, 98-00

Length: 495mm
Height: 300mm
Thickness: 19mm

Inlet: Pad
Outlet: Pad

93411-81A00



CN5198
Suzuki Sierra, 1.3Lt, 2/96-12/98

Length: 447mm
Height: 322mm
Thickness: 16mm

Inlet: Pad
Outlet: Pad



CN5199
Suzuki Sierra, 1.3Lt, 2/94-1/96

Length: 473mm
Height: 313mm
Thickness: 22mm

Inlet: Pad
Outlet: M16 x 1.5 MIOR

R12 Fitting Profile



CN5543
Suzuki Swift FZ, 2/11>

Length: 550mm
Height: 385mm
Thickness: 16mm

Inlet: Pad
Outlet: Pad

95310-71L00

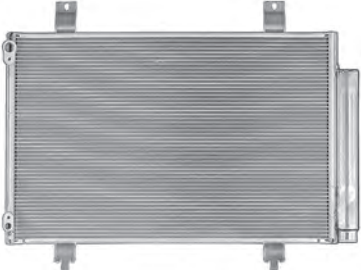


CN5304
Suzuki Swift EZ, 2/05-1/11

Length: 545mm
Height: 340mm
Thickness: 16mm

Inlet: Pad
Outlet: Pad

RD4050
Jayair: CN5304J

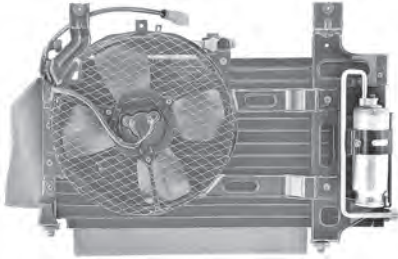


CN5202
Suzuki Swift, GTi, 6/94-9/95

Length: 590mm
Height: 292mm
Thickness: 22mm

Inlet: M22 x 1.5 MIOR
Outlet: M16 x 1.5 MIOR

RD7028
R134a Fitting Profile

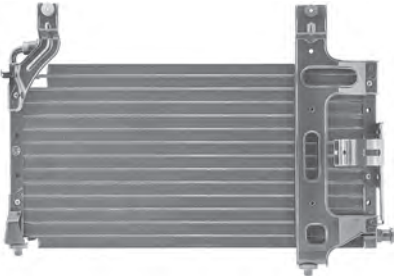


CN5218
Suzuki Swift, GTi, Cino, 6/94>

Length: 590mm
Height: 292mm
Thickness: 22mm

Inlet: M22 x 1.5 MIOR
Outlet: M16 x 1.5 MIOR

RD7028
R134a Fitting Profile

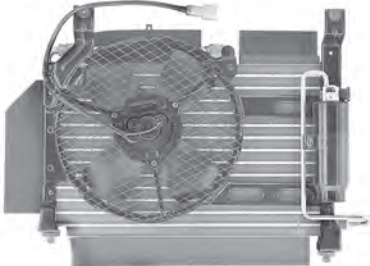


CN5211
Suzuki Swift, 1.0, 1.3Lt, GTi, 91-94

Length: 490mm
Height: 292mm
Thickness: 22mm

Inlet: # 8 MIOR
Outlet: # 5 MIOR

RD7005
R12 Fitting Profile

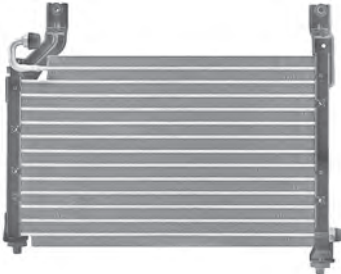


CN5214
Suzuki Swift, 1.0, 1.3Lt, GTi, 91-94

Length: 490mm
Height: 290mm
Thickness: 22mm

Inlet: # 8 MIOR
Outlet: # 5 MIOR

RD7005
R12 Fitting Profile

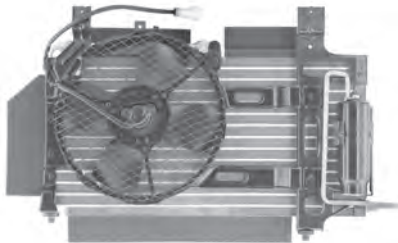


CN5409
Suzuki Swift, 1.6Lt, 89-91

Length: 590mm
Height: 292mm
Thickness: 22mm

Inlet: M22 x 1.5 MIOR
Outlet: M16 x 1.5 MIOR

RD7005

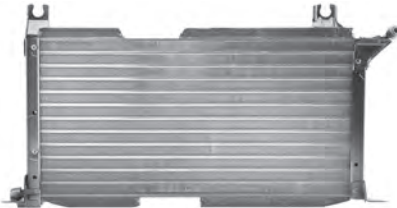


CN5201
Suzuki Swift, 8/85-89

Length: 550mm
Height: 290mm
Thickness: 22mm

Inlet: # 8 MIOR
Outlet: # 6 MIOR

R12 Fitting Profile
Auto Transmission

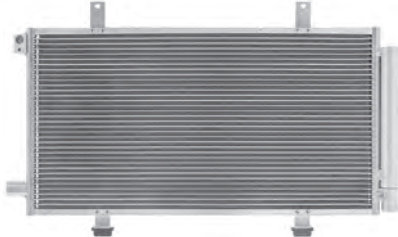


CN6558
Suzuki SX4, 10>

Length: 692mm
Height: 362mm
Thickness: 16mm

Inlet: Pad
Outlet: Pad

95310-80J10

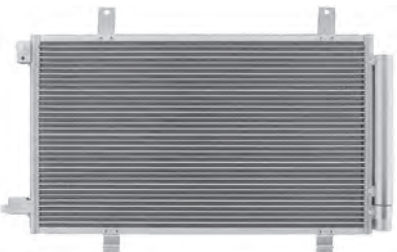


CN6556
Suzuki SX4, 07-10

Length: 628mm
Height: 362mm
Thickness: 16mm

Inlet: Pad
Outlet: Pad

95310-80J00

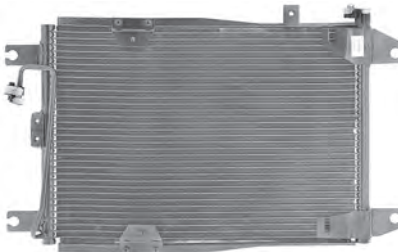


CN5084
Suzuki Vitara, 4 cyl, 99-00

Length: 498mm
Height: 349mm
Thickness: 19mm

Inlet: Pad
Outlet: Pad

95310-65D00



CN5057

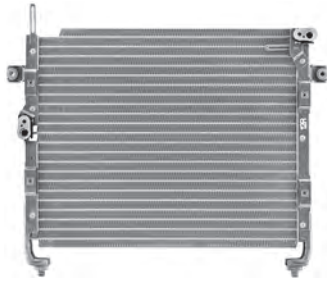
Suzuki Vitara, 1.6Lt 4 cyl, 5 door, 5/95-8/96

Length: 495mm
Height: 378mm
Thickness: 22mm

Inlet: Pad
Outlet: Pad

RD7001

R134a Fitting Profile



CN5034

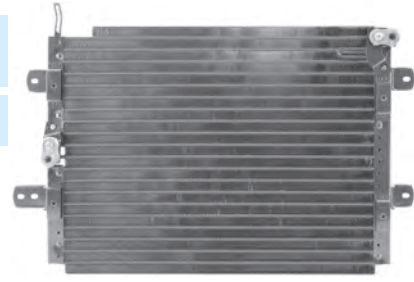
Suzuki Vitara, 1.6Lt 4 cyl, 3 door, 5/95-8/96

Length: 494mm
Height: 362mm
Thickness: 26mm

Inlet: Pad
Outlet: Pad

RD7001

R134a Fitting Profile



CN5048

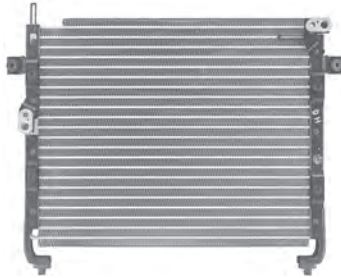
Suzuki Vitara, 4/91-4/95

Length: 503mm
Height: 378mm
Thickness: 22mm

Inlet: Pad
Outlet: Pad

RD7005

R12 Fitting Profile



CN5443

Suzuki Vitara, 91>

Length: 485mm
Height: 330mm
Thickness: 20mm

Inlet: Pad
Outlet: # 5 MIOR



CN5161

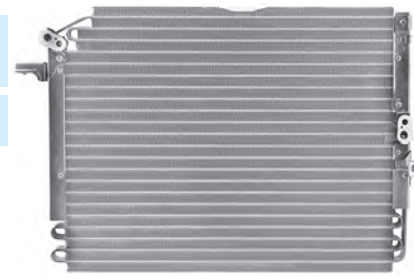
Toyota 4 Runner, 8/93-5/96

Length: 513mm
Height: 380mm
Thickness: 32mm

Inlet: Pad
Outlet: Pad

RD7027

R134a Fitting Profile



CN5102

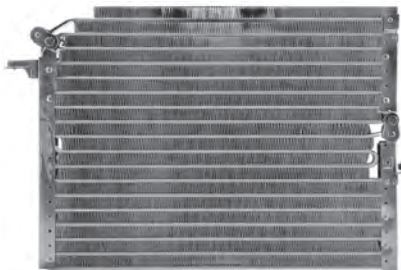
Toyota 4 Runner, 8/91-7/93

Length: 516mm
Height: 380mm
Thickness: 32mm

Inlet: Pad
Outlet: Pad

RD7003

R12 Fitting Profile



CN5160

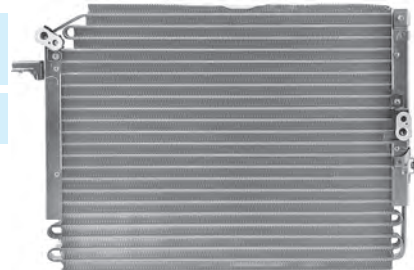
Toyota 4 Runner, 8/91-7/93

Length: 513mm
Height: 380mm
Thickness: 32mm

Inlet: Pad
Outlet: Pad

RD7003

R12 Fitting Profile



CN8040J

Toyota Aurion GSV50R, 4/12>

Length: 745mm
Height: 385mm
Thickness: 16mm

Inlet: Pad
Outlet: Pad

88460-06240



Picture unavailable at time of printing
refer www.cooldrive.com.au

CN8007

Toyota Aurion GSV40R, 3.5Lt
V6, 10/06>

Length: 745mm
Height: 385mm
Thickness: 16mm

Inlet: Pad
Outlet: Pad

RD4050

Jayair: CN8007J



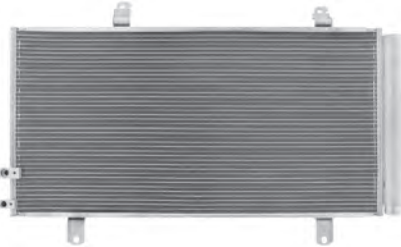
CN8007CG
 Toyota Aurion GSV40R, 3.5Lt
 V6, 10/06>

Length: 745mm
Height: 385mm
Thickness: 16mm

Inlet: Pad
Outlet: Pad

RD4050

Jayair: CN8007J




CN5139
 Toyota Avalon MCX10R, 7/00-3/06

Length: 746mm
Height: 437mm
Thickness: 22mm

Inlet: Pad
Outlet: M16 x 1.5 MIOR

RD7001




CN5496
 Toyota Avensis Verso ACM20R, 5/01>

Length: 780mm
Height: 400mm
Thickness: 16mm

Inlet: Pad
Outlet: Pad

RD4050




CN8040J
 Toyota Camry ASV50R, 4/12>

Length: 745mm
Height: 385mm
Thickness: 16mm

Inlet: Pad
Outlet: Pad

88460-06240

Picture unavailable at time of printing refer www.cooldrive.com.au



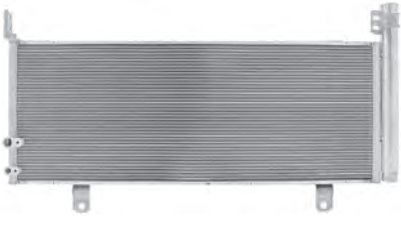
CN5484
 Toyota Camry AHV40R, Hybrid, 2/10>

Length: 775mm
Height: 280mm
Thickness: 20mm

Inlet: Pad
Outlet: Pad

RD4085

88460-33090



CN8007
 Toyota Camry ACV40R, 2.4Lt
 4 cyl, 7/06-1/12

Length: 745mm
Height: 385mm
Thickness: 16mm

Inlet: Pad
Outlet: Pad

RD4050

Jayair: CN8007J



CN8007CG
 Toyota Camry ACV40R, 2.4Lt
 4 cyl, 7/06-1/12

Length: 745mm
Height: 385mm
Thickness: 16mm

Inlet: Pad
Outlet: Pad

RD4050

Jayair: CN8007J




CN5230
 Toyota Camry ACV36R, MCV36R
 9/02-6/06

Length: 713mm
Height: 404mm
Thickness: 16mm

Inlet: Pad
Outlet: Pad

RD4050

Jayair: CN5230J

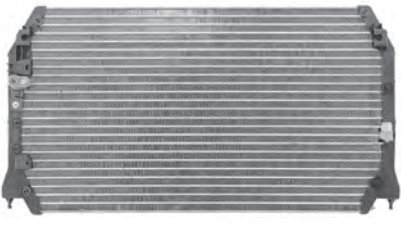


CN5103
 Toyota Camry SXV20, MCV20R
 4 & 6 cyl, 8/97-9/02

Length: 778mm
Height: 410mm
Thickness: 22mm

Inlet: Pad
Outlet: M16 x 1.5 MIOR

RD7001




CN5103D
 Toyota Camry SXV20, MCV20R
 4 & 6 cyl, 8/97-9/02

Length: 778mm
Height: 410mm
Thickness: 22mm

Inlet: Pad
Outlet: M16 x 1.5 MIOR

RD7001



CN5022

Toyota Camry Wide Body SDV10
VDV10, 11/92-7/97

Length: 742mm
Height: 443mm
Thickness: 22mm

Inlet: Pad
Outlet: Pad

RD7001



CN5022D

Toyota Camry Wide Body SDV10
VDV10, 11/92-7/97

Length: 741mm
Height: 437mm
Thickness: 22mm

Inlet: Pad
Outlet: Pad

RD7001



CND013

Toyota Camry SDV10, VDV10
11/92-7/97

Length: 678mm
Height: 396mm
Thickness: 22mm

Inlet: Pad
Outlet: Pad

RD6159

Cooltemp system



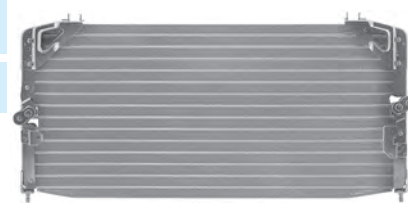
CN5021

Toyota Camry SV21, SV22
5/89-3/93

Length: 695mm
Height: 313mm
Thickness: 22mm

Inlet: Pad
Outlet: Pad

RD7031, RD7005



CN5125

Toyota Camry SV11 Hatchback
11/85-4/87

Length: 694mm
Height: 312mm
Thickness: 22mm

Inlet: # 8 MIOR
Outlet: # 5 MIOR

RD6310



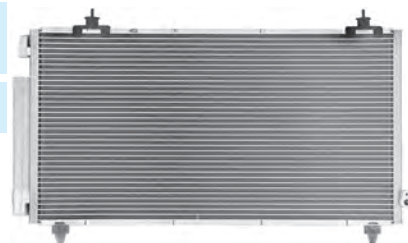
CN5292

Toyota Celica ZTZ231R, 8/02-3/06

Length: 670mm
Height: 347mm
Thickness: 16mm

Inlet: Pad
Outlet: Pad

RD4050



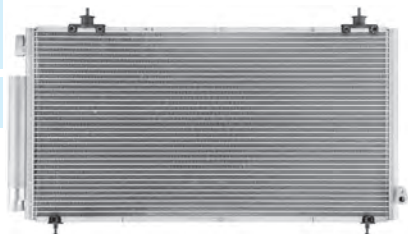
CN5196

Toyota Celica ZTZ231R, 8/99>

Length: 672mm
Height: 350mm
Thickness: 16mm

Inlet: Pad
Outlet: Pad

RD4050



CN5248

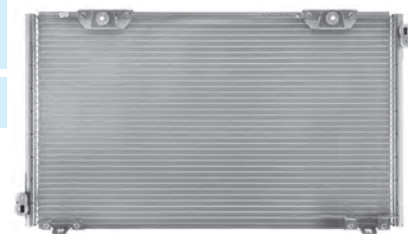
Toyota Celica ST204, 9/95-11/99

Length: 630mm
Height: 360mm
Thickness: 16mm

Inlet: Pad
Outlet: Pad

RD7001

with brackets



CN5249

Toyota Celica ST204, 2.2Lt, ST205
2.0Lt Turbo, 11/93-8/95

Length: 630mm
Height: 360mm
Thickness: 16mm

Inlet: Pad
Outlet: Pad

RD7001

without brackets



CN5592

Toyota Celica ST184, ST185

Length: 718mm
Height: 331mm
Thickness: 22mm

Inlet: Pad
Outlet: Pad

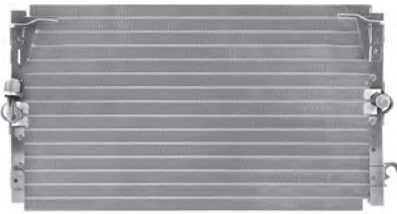


CN1195
 Toyota Celica RA60, 9/81-8/83
 Toyota Celica SA63, 10/83-8/84

Length: 635mm
Height: 359mm
Thickness: 22mm

Inlet: # 8 MIOR
Outlet: # 5 MIOR

RD6310



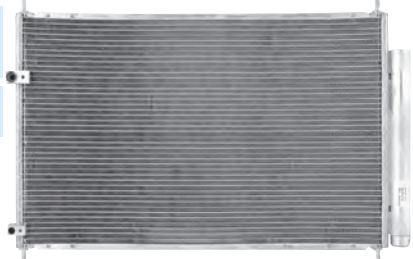
CN5319
 Toyota Corolla ZRE152R, 5/07>

Length: 625mm
Height: 390mm
Thickness: 16mm

Inlet: Pad
Outlet: Pad

RD4050

Jayair: CN5319J



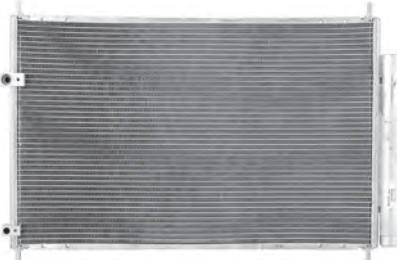
CN5319CG
 Toyota Corolla ZRE152R, 5/07>

Length: 625mm
Height: 390mm
Thickness: 16mm

Inlet: Pad
Outlet: Pad

RD4050

Jayair: CN5319J



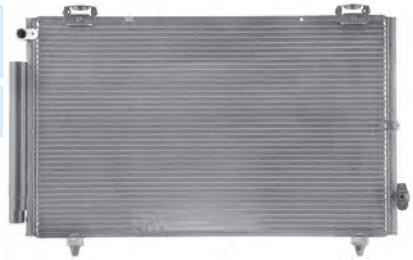
CN5175
 Toyota Corolla ZZE122R, 10/01-6/04

Length: 650mm
Height: 385mm
Thickness: 16mm

Inlet: Pad
Outlet: Pad

RD4040, RD4050

88460-12560
 Jayair: CN5175J



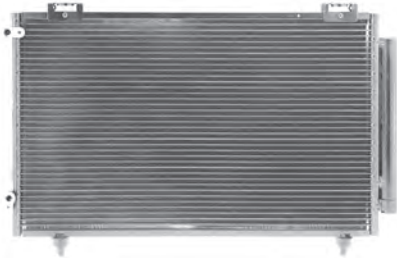
CN5239
 Toyota Corolla ZZE122R Hatch, 8/04>

Length: 650mm
Height: 390mm
Thickness: 16mm

Inlet: Pad
Outlet: Pad

RD4050

88460-12551
 Jayair: CN5239J



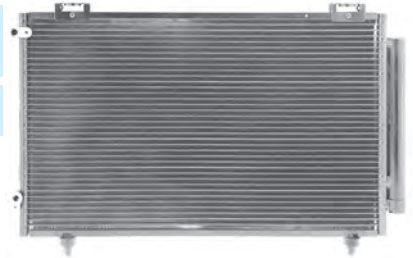
CN5239CG
 Toyota Corolla ZZE122R Hatch, 8/04>

Length: 650mm
Height: 390mm
Thickness: 16mm

Inlet: Pad
Outlet: Pad

RD4050

Jayair: CN5239J

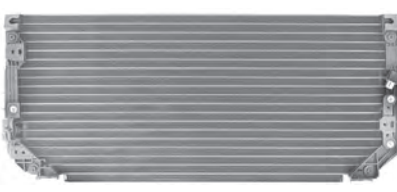


CN5152
 Toyota Corolla AE112, 8/98-9/01

Length: 744mm
Height: 318mm
Thickness: 22mm

Inlet: Pad
Outlet: M16 x 1.5 MIOR

RD7028

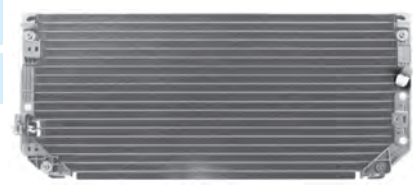


CN5152M
 Toyota Corolla AE112, 8/98-9/01

Length: 744mm
Height: 318mm
Thickness: 22mm

Inlet: Pad
Outlet: M16 x 1.5 MIOR

RD7028




CN5094
 Toyota Corolla AE101, AE102, 1.6Lt
 9/94-12/99

Length: 739mm
Height: 341mm
Thickness: 22mm

Inlet: Pad
Outlet: M16 x 1.5 MIOR

RD7028

R134a Fitting Profile




CN5094D
 Toyota Corolla AE101, AE102, 1.6Lt
 9/94-12/99

Length: 738mm
Height: 344mm
Thickness: 22mm

Inlet: Pad
Outlet: M16 x 1.5 MIOR

RD7028

R134a Fitting Profile

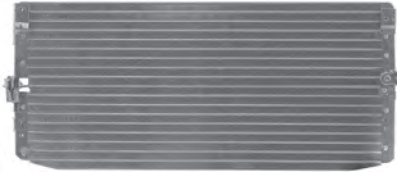


CN5093
 Toyota Corolla AE92, AE94, AE95,
 AE96, 3/91-5/94

Length: 695mm
Height: 313mm
Thickness: 22mm

Inlet: Pad
Outlet: Pad

RD7027, RD7001
 R134a Fitting Profile

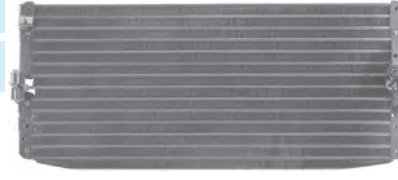


CN5092
 Toyota Corolla AE90, AE92, AE93,
 AE96, 6/89-7/93

Length: 695mm
Height: 295mm
Thickness: 22mm

Inlet: Pad
Outlet: Pad

RD7003
 R12 Fitting Profile




CN1191
 Toyota Corolla AE86R

Length: 555mm
Height: 335mm
Thickness: 22mm

Inlet: # 8 MIOR
Outlet: # 5 MIOR

88460-12221




CN1197
 Toyota Corolla AE80, AE82, 3/85-6/89

Length: 698mm
Height: 308mm
Thickness: 22mm

Inlet: # 8 MIOR
Outlet: # 5 MIOR

RD6310
 Single Cam

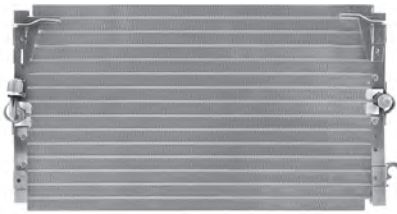


CN1195
 Toyota Corona ST141, RT142

Length: 635mm
Height: 359mm
Thickness: 22mm

Inlet: # 8 MIOR
Outlet: # 5 MIOR

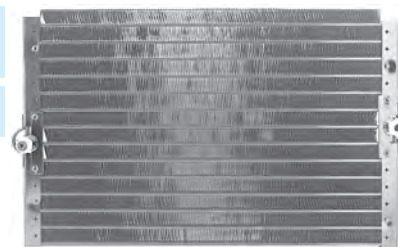
RD6310



CN1133
 Toyota Corona

Length: 533mm
Height: 336mm
Thickness: 22mm

Inlet: # 8 MF
Outlet: # 6 MF




CN1199
 Toyota Cressida MX83, 10/88-1/93

Length: 673mm
Height: 379mm
Thickness: 22mm

Inlet: Pad
Outlet: Pad

RD7083 (dual)
 RD7005 (single)




CN5810
 Toyota Dyna

Length:
Height:
Thickness:

Inlet:
Outlet:

88460-37381

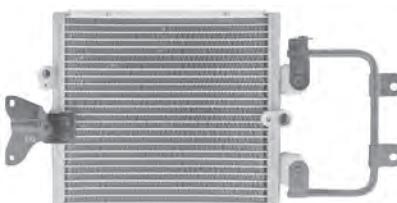


CN5806
 Toyota Dyna

Length: 290mm
Height: 255mm
Thickness: 16mm

Inlet: Pad
Outlet: Pad

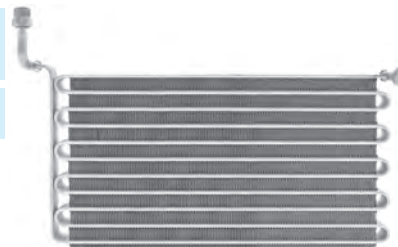
88460-37500



CN5171
 Toyota Dyna LY211, 5/95-4/99
 Toyota Dyna LY61, 9/93-4/95

Length: 435mm
Height: 233mm
Thickness: 44mm

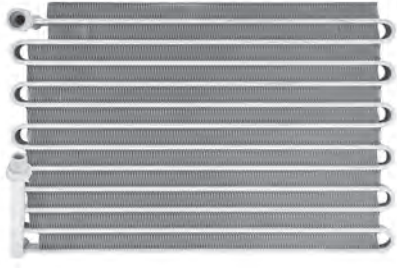
Inlet: M22 x 1.5 MIOR
Outlet: M16 x 1.5 MIOR



CN5170
Toyota Dyna YH81, 9/93-9/94

Length: 385mm
Height: 254mm
Thickness: 44mm

Inlet: M22 x 1.5 MIOR
Outlet: M16 x 1.5 MIOR



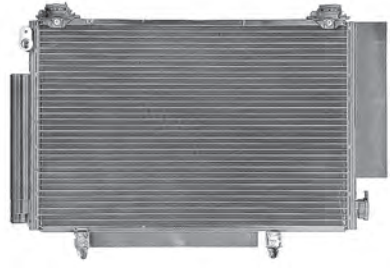
CN5291
Toyota Echo NCP10R, NCP12R, 8/02>

Length: 530mm
Height: 340mm
Thickness: 16mm

Inlet: Pad
Outlet: Pad

RD4050

Jayair: CN5291J



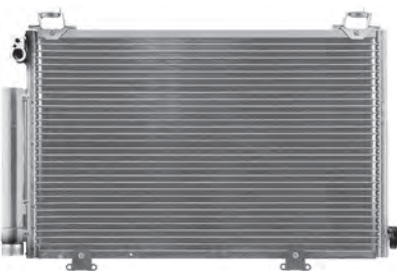
CN5251
Toyota Echo NCP10R, NCP12R, 3/99-12/02

Length: 530mm
Height: 340mm
Thickness: 15mm

Inlet: Pad
Outlet: Pad

RD4050

Jayair: CN5251J




CN5638
Toyota FJ Cruiser GSJ15R, 3/11>

Length: 630mm
Height: 520mm
Thickness: 16mm

Inlet: Pad
Outlet: Pad

88460-35380



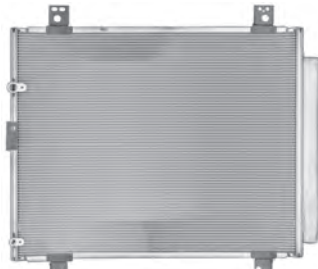
CN5258
Toyota Hiace, TRH221R, TRH223R
KDH222R, 3/05>

Length: 626mm
Height: 496mm
Thickness: 16mm

Inlet: Pad
Outlet: Pad

RD4050

88450-26126
Jayair: CN5258J




CN5258CG
Toyota Hiace, TRH221R, TRH223R
KDH222R, 3/05>

Length: 626mm
Height: 496mm
Thickness: 16mm

Inlet: Pad
Outlet: Pad

RD4050

Jayair: CN5258J




CN5164
Toyota Hiace LH162R, LH172R, LH184R 8/98>
Toyota Hiace RZH103R, RZH113R, RZH125R, 8/98>

Length: 509mm
Height: 407mm
Thickness: 16mm

Inlet: Pad
Outlet: Pad

RD7054




CN5165
Toyota Hiace RCH12 SBV, 9/95>

Length: 688mm
Height: 465mm
Thickness: 16mm

Inlet: Pad
Outlet: Pad

RD7054




CN5162
Toyota Hiace LH103R, LH113R, 8/93-7/95
Toyota Hiace RZH125R, 8/93-7/95

Length: 489mm
Height: 447mm
Thickness: 32mm

Inlet: Pad
Outlet: Pad

RD7054




CN5163
Toyota Hiace LH103R, LH113R, LH125R, 8/95-7/98
Toyota Hiace RZH103R, RZH113R, RZH125R, 8/95-7/98

Length: 489mm
Height: 448mm
Thickness: 32mm

Inlet: M22 x 1.5 MIOR
Outlet: M16 x 1.5 MIOR

RD7054

Not SBV models



CN5466
Toyota Hiace Commuter

Length: 495mm
Height: 450mm
Thickness: 32mm

Inlet: Pad
Outlet: M16 x 1.5 MIOR

88460-26350



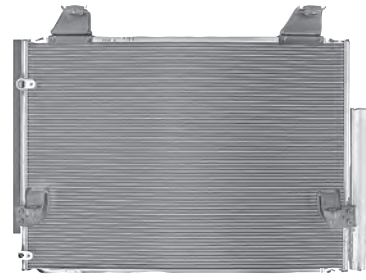
CN5450
Toyota Hilux KUN16R, KUN26R, 3.0Lt
Turbo Diesel, 3/05>

Length: 645mm
Height: 460mm
Thickness: 16mm

Inlet: Pad
Outlet: Pad

RD4050

Jayair: CN5450J



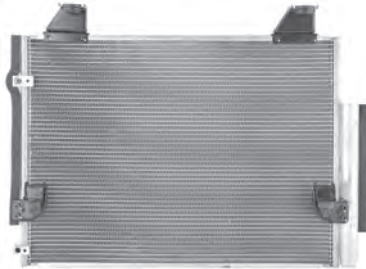
CN5450CG
Toyota Hilux KUN16R, KUN26R, 3.0Lt
Turbo Diesel, 3/05>

Length: 645mm
Height: 460mm
Thickness: 16mm

Inlet: Pad
Outlet: Pad

RD4050

Jayair: CN5450J

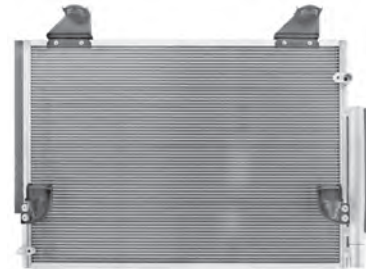


CN5449
Toyota Hilux GGN, TGN, Petrol 4 & 6 cyl, 3/05>

Length: 640mm
Height: 460mm
Thickness: 16mm

Inlet: Pad
Outlet: Pad

Jayair: CN5449J



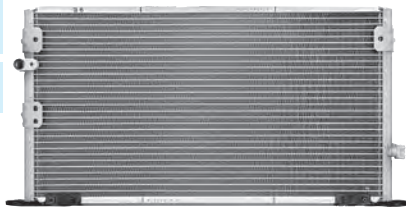
CN5290
Toyota Hilux VZN167R, 5VZ-FE 4 & 6 cyl, 02>

Length: 570mm
Height: 302mm
Thickness: 16mm

Inlet: Pad
Outlet: M16 x 1.5 MIOR

RD7001

Jayair: CN5290J

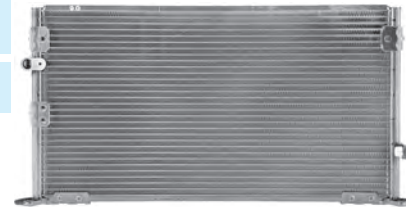


CN5224
Toyota Hilux KZN165, 8/00>

Length: 570mm
Height: 300mm
Thickness: 16mm

Inlet: Pad
Outlet: M16 x 1.5 MIOR

RD7001



CN5167
Toyota Hilux LN, 8/97-7/99
Toyota Hilux RZN147R, 97>

Length: 570mm
Height: 291mm
Thickness: 16mm

Inlet: Pad
Outlet: M16 x 1.5 MIOR

RD7001



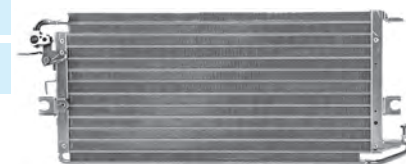
CN5166
Toyota Hilux LN, RN, YN85, 94-97

Length: 584mm
Height: 275mm
Thickness: 22mm

Inlet: Pad
Outlet: M16 x 1.5 MIOR

RD7001

R134a Fitting Profile



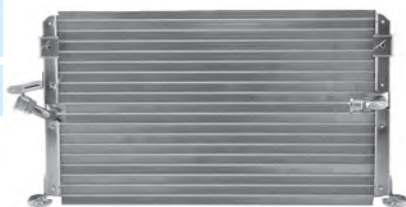
CN5181
Toyota Hilux LN, RZN, 8/97>

Length: 554mm
Height: 315mm
Thickness: 22mm

Inlet: M22 x 1.5 MIOR
Outlet: M16 x 1.5 MIOR

RD7001

Jayair: CN5181J



CN5129
Toyota Hilux LN, RZN, 8/97-8/99

Length: 568mm
Height: 290mm
Thickness: 20mm

Inlet: Pad
Outlet: # 5 MIOR

RD7001



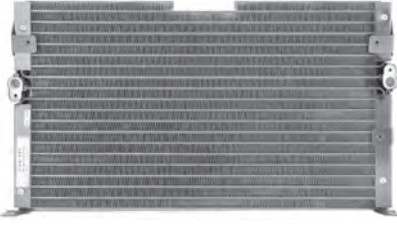
CND065
Toyota Hilux RZN149R

Length: 575mm
Height: 315mm
Thickness: 22mm

Inlet: Pad
Outlet: Pad

RD6159

Cooltemp system




CN5161
Toyota Hilux V6, 8/93-5/96

Length: 513mm
Height: 380mm
Thickness: 32mm

Inlet: Pad
Outlet: Pad

RD7027

R134a Fitting Profile



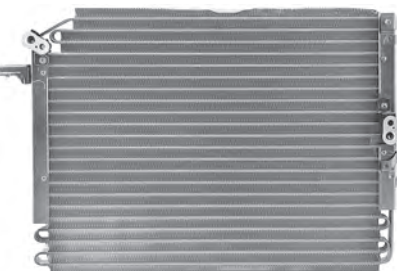
CN5160
Toyota Hilux 8/91-7/93

Length: 513mm
Height: 380mm
Thickness: 32mm

Inlet: Pad
Outlet: Pad

RD7003

R12 Fitting Profile




CN5090
Toyota Hilux RN85, 90, 105, 106, 110, 10/88-12/93
Toyota Hilux YN85, 7/91-3/94

Length: 589mm
Height: 280mm
Thickness: 22mm

Inlet: Pad
Outlet: # 5 MIOR

RD7003

R12 Fitting Profile

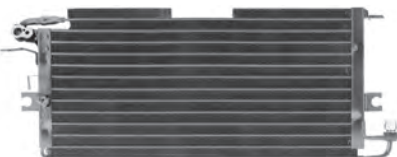


CN5091
Toyota Hilux Petrol & Diesel

Length: 588mm
Height: 275mm
Thickness: 22mm

Inlet: Pad
Outlet: M16 x 1.5 MIOR

R134a Fitting Profile



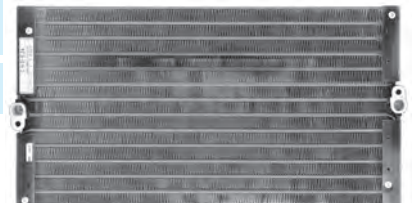
CND024
Toyota Hilux

Length: 515mm
Height: 278mm
Thickness: 22mm

Inlet: Pad
Outlet: Pad

RD6159

Cooltemp system



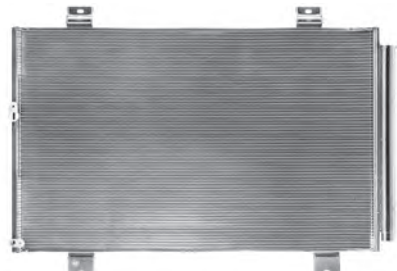
CN5493
Toyota Kluger GSU40R, GSU45R, 8/07>

Length: 748mm
Height: 453mm
Thickness: 16mm

Inlet: Pad
Outlet: Pad

RD4070

Jayair: CN5493J



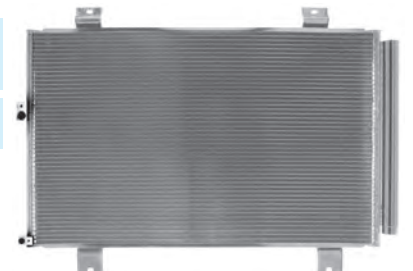
CN5493CG
Toyota Kluger GSU40R, GSU45R, 8/07>

Length: 748mm
Height: 453mm
Thickness: 16mm

Inlet: Pad
Outlet: Pad

RD4070

Jayair: CN5493J




CN5495
Toyota Kluger MCU28, 8/03-7/07

Length: 730mm
Height: 440mm
Thickness: 16mm

Inlet: Pad
Outlet: Pad

RD4050




CN6040
Toyota Landcruiser 200 Series,
UZJ200, VDJ200, GRJ200, 11/07>

Length: 651mm
Height: 535mm
Thickness: 16mm

Inlet: Pad
Outlet: Pad

RD4070

88460-60400
Jayair: CN6040J



CN6040CG

Toyota Landcruiser 200 Series,
UZJ200, VDJ200, GRJ200, 11/07>

Length: 651mm
Height: 535mm
Thickness: 16mm

Inlet: Pad
Outlet: Pad

RD4070

Jayair: CN6040J



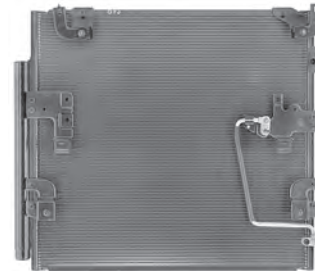
CN5463

Toyota Landcruiser VDJ76R, VDJ78R, VDJ79R,
4.5Lt V8 Turbo Diesel, 3/07>

Length: 566mm
Height: 522mm
Thickness: 16mm

Inlet: Pad
Outlet: Pad

RD4070



CN5298

Toyota Landcruiser HDJ100, Diesel, 8/02>

Length: 690mm
Height: 537mm
Thickness: 16mm

Inlet: Pad
Outlet: Pad

RD4050

Jayair: CN5298J



CN5300

Toyota Landcruiser UZJ100, 2UZ-FE, 4.7Lt V8, 02>

Length: 610mm
Height: 461mm
Thickness: 16mm

Inlet: Pad
Outlet: M16 x 1.5 MIOR

RD4050



CN6048

Toyota Landcruiser UZJ100, 2UZ-FE, 4.7Lt V8

Length: 608mm
Height: 465mm
Thickness: 16mm

Inlet: Pad
Outlet: Pad

RD4050



CN5293

Toyota Landcruiser HDJ78 Wagon, Diesel, 8/99>

Length: 535mm
Height: 525mm
Thickness: 22mm

Inlet: M22 x 1.5 MIOR
Outlet: M16 x 1.5 MIOR



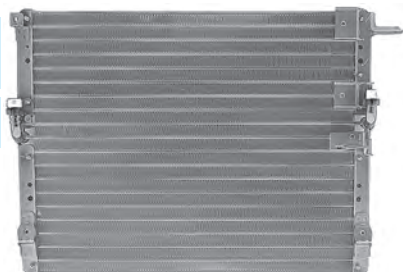
CN5294

Toyota Landcruiser HDJ79 Pickup, Diesel, 8/99>

Length: 535mm
Height: 405mm
Thickness: 18mm

Inlet: M22 x 1.5 MIOR
Outlet: M16 x 1.5 MIOR

Jayair: CN5294J



CN5072

Toyota Landcruiser FZJ78, HZJ78, Petrol & Diesel, 8/99>
Toyota Landcruiser FZJ75, HZJ75, Petrol & Diesel, 1/95-7/99

Length: 533mm
Height: 522mm
Thickness: 22mm

Inlet: M22 x 1.5 MIOR
Outlet: M16 x 1.5 MIOR

RD7027

R134a Fitting Profile



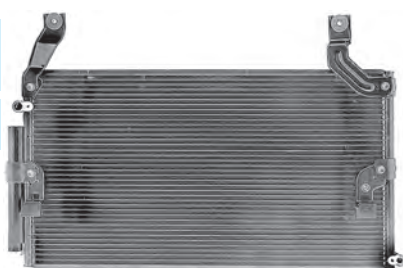
CN5295

Toyota Landcruiser HDJ105, HZJ105, Diesel, 98-02
Toyota Landcruiser FZJ105, Petrol, 98-02

Length: 710mm
Height: 378mm
Thickness: 16mm

Inlet: Pad
Outlet: Pad

RD4050



CN6042

Toyota Landcruiser HDJ105, HZJ105, Diesel, 98-02
Toyota Landcruiser FZJ105, Petrol, 98-02

Length: 710mm
Height: 378mm
Thickness: 16mm

Inlet: Pad
Outlet: Pad

RD4050

Jayair: CN6042J




CN5074
 Toyota Landcruiser FZJ80, HDJ80, HZJ80, Petrol & Diesel, 4/93>

Length: 753mm
Height: 362mm
Thickness: 22mm

Inlet: Pad
Outlet: Pad

RD7027
 R134a Fitting Profile




CN5642
 Toyota Landcruiser FZJ75, 92-93

Length: 535mm
Height: 523mm
Thickness: 22mm

Inlet: Pad
Outlet: # 5 MIOR

88460-60100




CN5075
 Toyota Landcruiser HDJ80, HZJ80, Diesel, 1/90-4/93
 Toyota Landcruiser FJ80, FZJ80, Petrol, 1/90-4/93

Length: 753mm
Height: 362mm
Thickness: 22mm

Inlet: Pad
Outlet: Pad

RD7083 (dual)
 RD7003 (single)
 R12 Fitting Profile

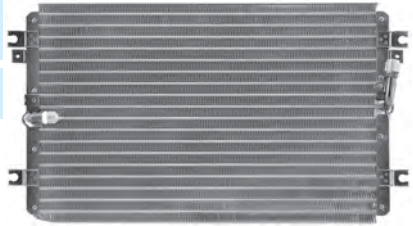


CN5040
 Toyota Landcruiser HJ60 Diesel, 3/84-89

Length: 650mm
Height: 395mm
Thickness: 22mm

Inlet: # 8 MIOR
Outlet: # 5 MIOR

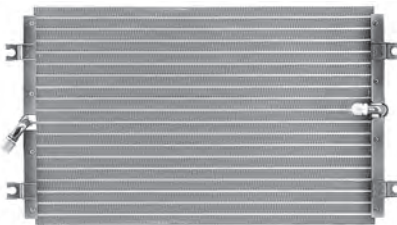
R12 Fitting Profile



CN5080
 Toyota Landcruiser FJ60 Petrol, 80-3/84

Length: 650mm
Height: 395mm
Thickness: 22mm

Inlet: # 8 MIOR
Outlet: # 5 MIOR

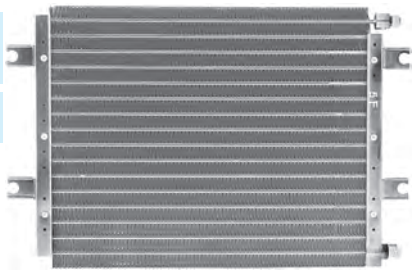


CN5640
 Toyota Landcruiser 40, 45 Series, 80-84

Length: 468mm
Height: 353mm
Thickness: 22mm

Inlet: # 8 MF
Outlet: # 6 MF

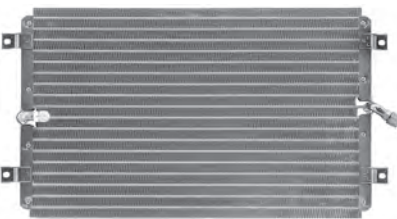
88460-60040



CN5128
 Toyota Landcruiser HJ60 Diesel

Length: 652mm
Height: 398mm
Thickness: 22mm

Inlet: # 8 MIOR
Outlet: # 5 MIOR

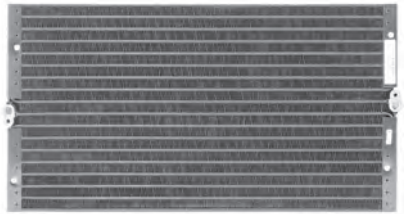


CND026
 Toyota Landcruiser FZJ80, HZJ80

Length: 678mm
Height: 362mm
Thickness: 22mm

Inlet: Pad
Outlet: Pad

RD6159
 Cooltemp system

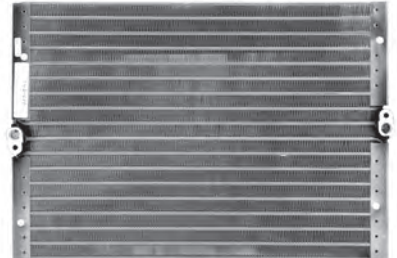


CND027
 Toyota Landcruiser FJ70, FJ73, FJ75, HZJ75, Petrol & Diesel

Length: 522mm
Height: 362mm
Thickness: 22mm

Inlet: Pad
Outlet: Pad

RD6159
 Cooltemp system




CN5070
 Toyota Landcruiser FJ70, FJ73, FJ75 BJ70, HJ75, Petrol & Diesel

Length: 535mm
Height: 522mm
Thickness: 22mm

Inlet: # 8 MIOR
Outlet: # 5 MIOR

RD7083
 R12 Fitting Profile



CN5225

Toyota MR2 ZZW30R, 10/00-3/06

Length: 690mm
Height: 320mm
Thickness: 16mm

Inlet: Pad
Outlet: Pad

RD4050



CN5183

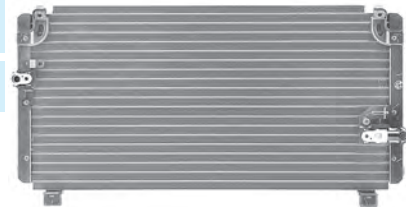
Toyota MR2 SW20R, 9/93-12/99

Length: 694mm
Height: 330mm
Thickness: 22mm

Inlet: Pad
Outlet: Pad

RD7001

R134a Fitting Profile



CN5216

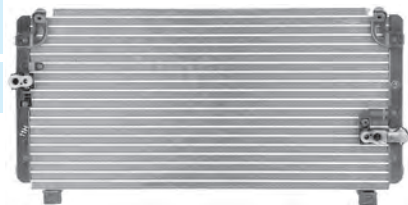
Toyota MR2 SW20R, 3/90-8/93

Length: 695mm
Height: 330mm
Thickness: 22mm

Inlet: Pad
Outlet: Pad

RD7003

R12 Fitting Profile



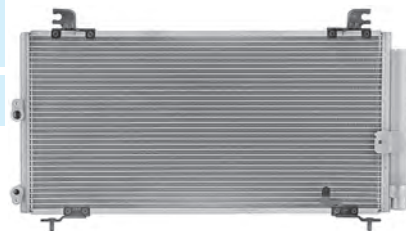
CN5190

Toyota Paseo EL54, 12/97-7/99

Length: 643mm
Height: 320mm
Thickness: 16mm

Inlet: Pad
Outlet: Pad

RD4040, RD4050



CN5188

Toyota Paseo EL54, 8/95-7/96

Length: 688mm
Height: 323mm
Thickness: 16mm

Inlet: Pad
Outlet: Pad

RD7001



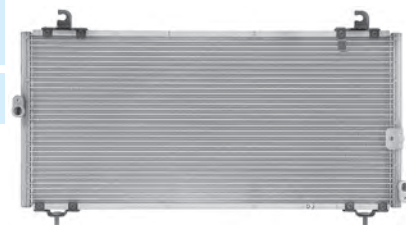
CN5189

Toyota Paseo EL54, 8/96-11/97

Length: 688mm
Height: 323mm
Thickness: 16mm

Inlet: Pad
Outlet: Pad

RD7001



CN5187

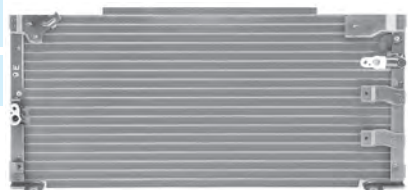
Toyota Paseo EL44, 8/93-8/95

Length: 715mm
Height: 330mm
Thickness: 23mm

Inlet: Pad
Outlet: Pad

RD7027

R134a Fitting Profile



CN5185

Toyota Paseo EL44, 8/92-7/93

Length: 715mm
Height: 330mm
Thickness: 23mm

Inlet: Pad
Outlet: Pad

RD7003

R12 Fitting Profile



CN5184

Toyota Paseo EL44, 4/91-7/92

Length: 717mm
Height: 330mm
Thickness: 22mm

Inlet: Pad
Outlet: Pad

RD7003

R12 Fitting Profile



CN5477

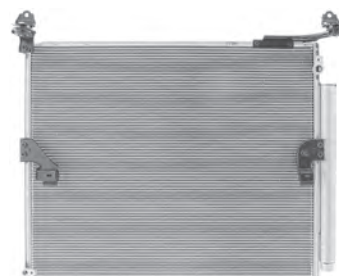
Toyota Prado GRJ150R, 4.0Lt V6, 11/09>

Length: 625mm
Height: 510mm
Thickness: 16mm

Inlet: Pad
Outlet: Pad

RD4070

88460-60430



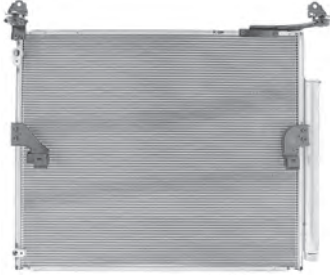
CN5478
Toyota Prado KDJ150R, 3.0Lt Turbo Diesel, 11/09>

Length: 625mm
Height: 530mm
Thickness: 16mm

Inlet: Pad
Outlet: Pad

RD4070

88460-60420



CN5451
Toyota Prado GRJ120R, 4.0Lt V6, 8/04-10/09

Length: 625mm
Height: 520mm
Thickness: 16mm

Inlet: Pad
Outlet: Pad

RD4050



CN5302
Toyota Prado GRJ120R, 4.0Lt V6, 3/03-8/04

Length: 625mm
Height: 502mm
Thickness: 16mm

Inlet: Pad
Outlet: Pad

RD4050




CN5303
Toyota Prado KZJ120R, 3.0Lt Turbo Diesel, 3/03-8/04
Toyota Prado RZJ120R, 2.7Lt 4 cyl Petrol, 3/03-8/04

Length: 625mm
Height: 502mm
Thickness: 16mm

Inlet: Pad
Outlet: Pad

RD4050




CN5452
Toyota Prado KZJ120R, 3.0Lt Turbo Diesel, 8/04-10/09

Length: 625mm
Height: 523mm
Thickness: 16mm

Inlet: Pad
Outlet: Pad

RD4050



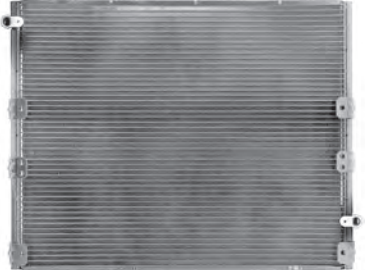
CN5191
Toyota Prado VZJ95, RZJ95, KZJ95, 5/96-2/03

Length: 610mm
Height: 480mm
Thickness: 16mm

Inlet: Pad
Outlet: Pad

RD7027

Jayair: CN5191J



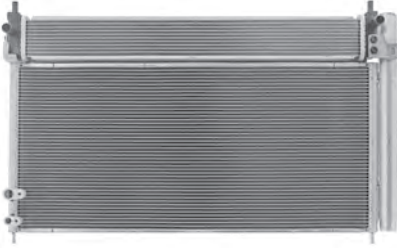
CN5487
Toyota Prius ZVW30R, 4/09>

Length: 670mm
Height: 305mm
Thickness: 20mm

Inlet: Pad
Outlet: Pad

RD4085

With inverter



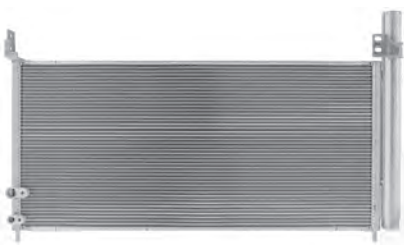
CN5489
Toyota Prius ZVW30R, 4/09>

Length: 705mm
Height: 310mm
Thickness: 20mm

Inlet: Pad
Outlet: Pad

RD4085

88460-47150
Without inverter




CN5492
Toyota Prius NHW20R, 05>

Length: 628mm
Height: 370mm
Thickness: 16mm

Inlet: Pad
Outlet: Pad

RD4085

88450-47020



CN5363
Toyota Rav4 ACA33R, 2.4Lt 4 cyl, 2/06>
Toyota Rav4 GSA33R, 3.5Lt V6, 10/07>

Length: 704mm
Height: 427mm
Thickness: 16mm

Inlet: Pad
Outlet: Pad

RD4050

Jayair: CN5363J




CN5222
Toyota Rav4 ACA33R, 11/05>

Length: 706mm
Height: 427mm
Thickness: 16mm

Inlet: Pad
Outlet: Pad

RD4050

Tow Pack Vehicles




CN5222CG
Toyota Rav4 ACA33R, 11/05>

Length: 706mm
Height: 427mm
Thickness: 16mm

Inlet: Pad
Outlet: Pad

RD4050



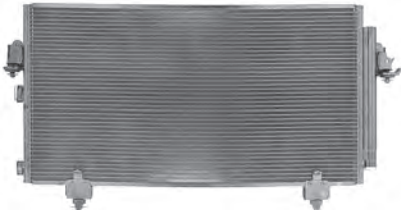
CN5229
Toyota Rav4, 2.4Lt, 03>

Length: 770mm
Height: 406mm
Thickness: 16mm

Inlet: Pad
Outlet: Pad

RD4050

Jayair: CN5229J




CN5144
Toyota Rav4 ACA20R, ACA21R, 5/00>

Length: 770mm
Height: 407mm
Thickness: 16mm

Inlet: Pad
Outlet: Pad

RD4050



CN5101
Toyota Rav4 SXA10R, SXA11R, 3/94-4/00

Length: 801mm
Height: 310mm
Thickness: 22mm

Inlet: Pad
Outlet: Pad

RD7001

Jayair: CN5101J



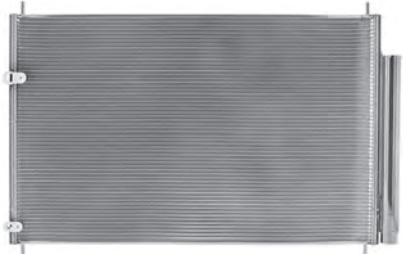
CN5565
Toyota Rukus AZE15R, 5/10>

Length: 625mm
Height: 390mm
Thickness: 16mm

Inlet: Pad
Outlet: Pad

RD4070

88450-12300



CN5193
Toyota Spacia SR40, 1/98>

Length: 684mm
Height: 462mm
Thickness: 16mm

Inlet: Pad
Outlet: Pad

RD7054

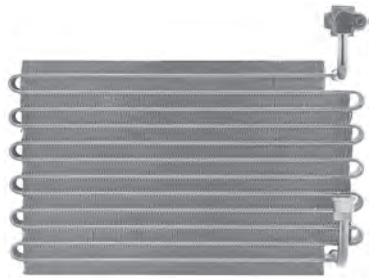


CN5194
Toyota Spacia YR22, 11/93-6/97

Length: 445mm
Height: 268mm
Thickness: 44mm

Inlet: Pad
Outlet: M22 x 1.5 MIOR

RD7054



CN5195
Toyota Spacia YR22, 8/93-6/97

Length: 638mm
Height: 315mm
Thickness: 22mm

Inlet: Pad
Outlet: # 6 MCOR



CN1191
Toyota Sprinter AE86R

Length: 555mm
Height: 335mm
Thickness: 22mm

Inlet: # 8 MIOR
Outlet: # 5 MIOR

88460-12221

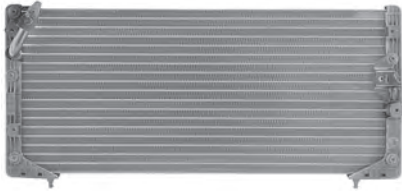


CN5127
Toyota Starlet, 1/96-6/98

Length: 720mm
Height: 304mm
Thickness: 22mm

Inlet: Pad
Outlet: M16 x 1.5 MIOR

RD7001




CN5434
Toyota Supra, 96>

Length: 670mm
Height: 388mm
Thickness: 16mm

Inlet: Pad
Outlet: Pad

RD7001



CN5363
Toyota Tarago ACR50R, 2.4Lt, 3/06>
Toyota Tarago GSR50R, 3.5Lt V6, 2/07>

Length: 704mm
Height: 427mm
Thickness: 16mm

Inlet: Pad
Outlet: Pad

RD4050

Jayair: CN5363J



CN5222
Toyota Tarago ACR50R, 2.4Lt, 3/06>

Length: 706mm
Height: 427mm
Thickness: 16mm

Inlet: Pad
Outlet: Pad

RD4050

Tow Pack Vehicles




CN5222CG
Toyota Tarago ACR50R, 2.4Lt, 3/06>

Length: 706mm
Height: 427mm
Thickness: 16mm

Inlet: Pad
Outlet: Pad

RD4050




CN5221
Toyota Tarago ACR30, 2/00>

Length: 770mm
Height: 444mm
Thickness: 16mm

Inlet: Pad
Outlet: Pad

RD4050

Jayair: CN5221J




CN5180
Toyota Tarago TCR10R, TCR11R, 8/93-12/99

Length: 698mm
Height: 461mm
Thickness: 22mm

Inlet: Pad
Outlet: M16 x 1.5 MIOR

RD7054

R134a Fitting Profile




CN5179
Toyota Tarago TCR10R, TCR11R, 8/91-7/93

Length: 697mm
Height: 460mm
Thickness: 22mm

Inlet: Pad
Outlet: Pad

RD7063

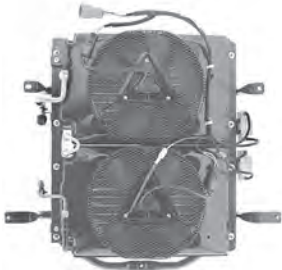


CN5650
Toyota Tarago, 1/86-8/88

Length: 540mm
Height: 450mm
Thickness: 44mm

Inlet: # 8 MIOR
Outlet: # 5 MIOR

88460-95D01




CN5130
Toyota Townace KR42 SBV, 10/96>

Length: 690mm
Height: 463mm
Thickness: 16mm

Inlet: Pad
Outlet: Pad

RD7054

R134a Fitting Profile



CN5195

Toyota Townace YR39, 8/93-6/96

Length: 638mm
Height: 315mm
Thickness: 22mm

Inlet: Pad
Outlet: # 6 MCOR



CN5630

Toyota Yaris, NCP130R, NCP131R, 11/11>

Length: 546mm
Height: 346mm
Thickness: 16mm

Inlet: Pad
Outlet: Pad

88460-52130



Picture unavailable at time of printing refer www.cooldrive.com.au

CN5454

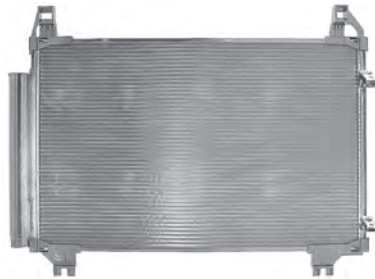
Toyota Yaris, NCP90, NCP91, NCP93, 11/05>

Length: 545mm
Height: 340mm
Thickness: 16mm

Inlet: Pad
Outlet: Pad

RD4050

Jayair: CN5454J



CN5454CG

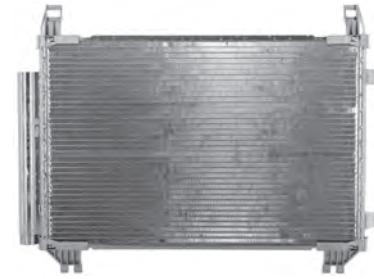
Toyota Yaris, NCP90, NCP91, NCP93, 11/05>

Length: 545mm
Height: 340mm
Thickness: 16mm

Inlet: Pad
Outlet: Pad

RD4050

Jayair: CN5454J



Volkswagen

CN6402

Volkswagen Amarok, 2.0Lt Diesel Turbo, 2/11>

Length: 675mm
Height: 455mm
Thickness: 16mm

Inlet: Pad
Outlet: Pad

2H0820411A



Picture unavailable at time of printing refer www.cooldrive.com.au

CN5399

Volkswagen Beetle, 1/00>

Length: 580mm
Height: 383mm
Thickness: 20mm

Inlet: Pad
Outlet: Pad

RD5401

1C0820411A



CN6568

Volkswagen Beetle, 1/00>

Length: 587mm
Height: 359mm
Thickness: 16mm

Inlet: Pad
Outlet: Pad

1J0820411L



CN5401

Volkswagen Bora, 98>

Length: 588mm
Height: 360mm
Thickness: 16mm

Inlet: Pad
Outlet: Pad

RD5401

1J0820411B
1J0820413B



CN6531

Volkswagen Caddy 2KA, 2KB, 2/03>

Length: 576mm
Height: 447mm
Thickness: 16mm

Inlet: Pad
Outlet: Pad

RD7320

1T0820411A1B




CN5414
Volkswagen Caddy, 95>

Length: 607mm
Height: 370mm
Thickness: 16mm

Inlet: # 8 MIOR
Outlet: # 6 MIOR

6K0820413A
6K0820413B




CN4089
Volkswagen Caravelle

Length: 680mm
Height: 310mm
Thickness: 16mm

Inlet: Pad
Outlet: Pad

7D0820413B




CN6401
Volkswagen Crafter, 07>

Length: 715mm
Height: 460mm
Thickness: 16mm

Inlet: Pad
Outlet: Pad

A9065000054



CN6568
Volkswagen Golf, 04>

Length: 587mm
Height: 359mm
Thickness: 16mm

Inlet: Pad
Outlet: Pad

1J0820411L




CN5442
Volkswagen Golf IV, V, VI, 04>

Length: 580mm
Height: 396mm
Thickness: 16mm

Inlet: Pad
Outlet: Pad

RD7320

1K0820411G
1K0820411F

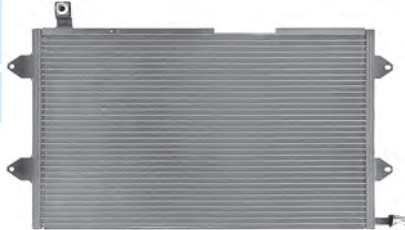


CN5461
Volkswagen Golf Cabriolet, 97>

Length: 733mm
Height: 320mm
Thickness: 22mm

Inlet: # 8 MIOR
Outlet: # 6 MIOR

1HM820413B



CN5401
Volkswagen Golf, 99>

Length: 588mm
Height: 360mm
Thickness: 16mm

Inlet: Pad
Outlet: Pad

RD5401

1J0820411B
1J0820413B



CN5400
Volkswagen Golf III, 94-98

Length: 607mm
Height: 361mm
Thickness: 16mm

Inlet: # 8 MIOR
Outlet: # 6 MIOR

RD4501



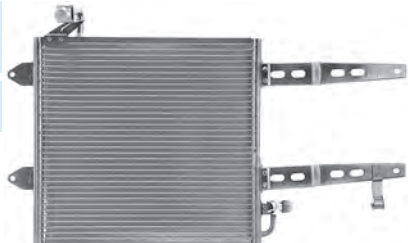
CN5413
Volkswagen Lupo, 98>

Length: 390mm
Height: 361mm
Thickness: 16mm

Inlet: # 8 MIOR
Outlet: # 6 MIOR

RD4501

6MP0820413B
6X0820413A



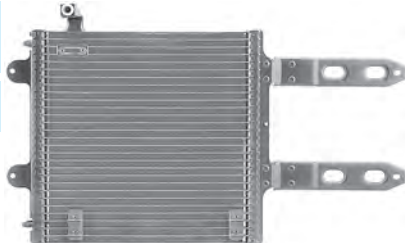
CN5423
Volkswagen Lupo, 98>

Length: 395mm
Height: 362mm
Thickness: 20mm

Inlet: # 8 MIOR
Outlet: Pad

RD7074

6X0820413A



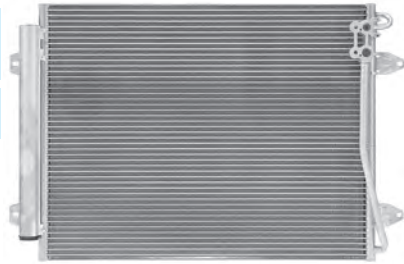
CN5306

Volkswagen Passat 3C, 1.8Lt, 11/09>
Volkswagen Passat, 2.0, 3.2, 3.6Lt, 7/05>

Length: 616mm
Height: 460mm
Thickness: 16mm

Inlet: Pad
Outlet: Pad

3C0820411B

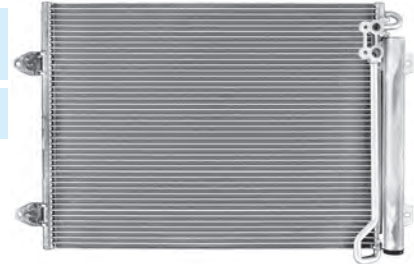


CN5318

Volkswagen Passat, 06-07

Length: 616mm
Height: 440mm
Thickness: 16mm

Inlet: Pad
Outlet: Pad



CN5252

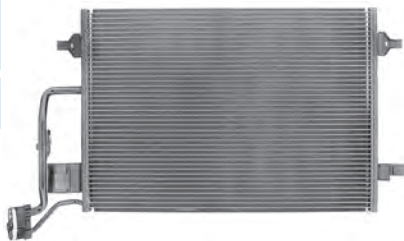
Volkswagen Passat, 2/01>

Length: 615mm
Height: 418mm
Thickness: 16mm

Inlet: Pad
Outlet: Pad

RD0084

3B0260401



CN5254

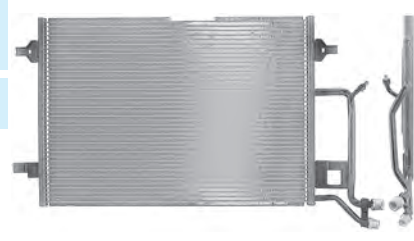
Volkswagen Passat, 97-01

Length: 615mm
Height: 419mm
Thickness: 16mm

Inlet: M24 x 1.5 MIOR
Outlet: M20 x 1.5 MIOR

RD0080

No charge port
8D0260401H
8D0260403H



CN5402

Volkswagen Passat, 95-97

Length: 710mm
Height: 335mm
Thickness: 32mm

Inlet: # 8 MIOR
Outlet: # 6 MIOR



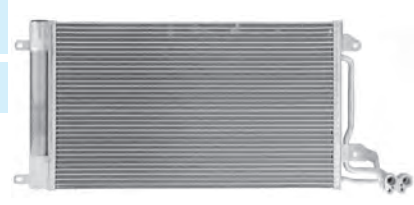
CN5566

Volkswagen Polo, 6R, 6/09>

Length: 615mm
Height: 334mm
Thickness: 16mm

Inlet: Pad
Outlet: Pad

6R0820411D



CN5444

Volkswagen Polo, 02>

Length: 510mm
Height: 362mm
Thickness: 16mm

Inlet: Pad
Outlet: Pad

RD4408

6Q0820411E



CN5413

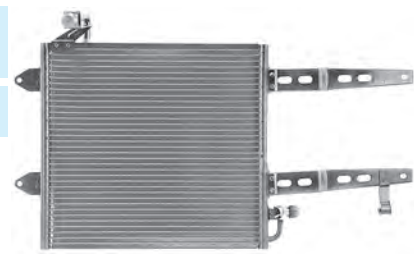
Volkswagen Polo, 98>

Length: 390mm
Height: 361mm
Thickness: 16mm

Inlet: # 8 MIOR
Outlet: # 6 MIOR

RD4501

6MP0820413B
6X0820413A



CN5423

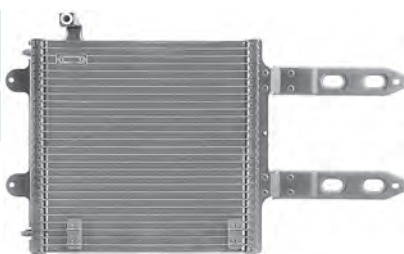
Volkswagen Polo, 98>

Length: 395mm
Height: 362mm
Thickness: 20mm

Inlet: # 8 MIOR
Outlet: Pad

RD7074

6X0820413A



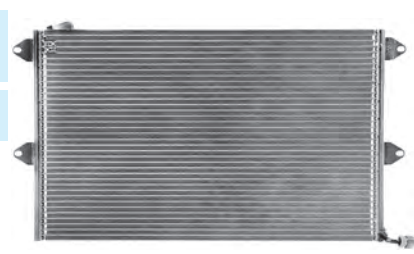
CN5414

Volkswagen Polo, 95>

Length: 607mm
Height: 370mm
Thickness: 16mm

Inlet: # 8 MIOR
Outlet: # 6 MIOR

6K0820413A
6K0820413B




CN5437
Volkswagen Tiguan, 2.0Lt, 5/08>

Length: 580mm
Height: 452mm
Thickness: 16mm

Inlet: Pad
Outlet: Pad

5N0820411C




CN6532
Volkswagen Touareg, 10/02>

Length: 700mm
Height: 390mm
Thickness: 16mm

Inlet: Pad
Outlet: Pad

RD4055
7L0820411G




CN6531
Volkswagen Touran, 2/03>

Length: 576mm
Height: 447mm
Thickness: 16mm

Inlet: Pad
Outlet: Pad

RD7320
1T0820411A1B




CN6334
Volkswagen Transporter T5, 03>

Length: 715mm
Height: 391mm
Thickness: 16mm

Inlet: Pad
Outlet: Pad

RD4055
7H0820411D




CN5182
Volkswagen Transporter T4, 97>

Length: 673mm
Height: 300mm
Thickness: 21mm

Inlet: M22 x 1.5 MIOR
Outlet: M16 x 1.5 MIOR

RD7001

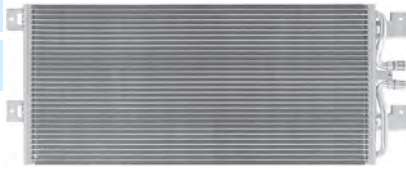


CN4097
Volkswagen Transporter T3, 1/84-8/97

Length: 680mm
Height: 310mm
Thickness: 22mm

Inlet: # 8 MIOR
Outlet: # 6 MIOR

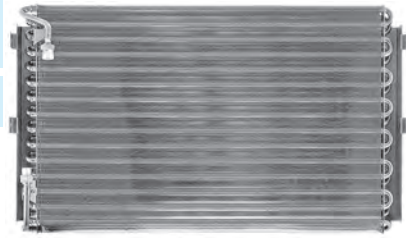
7D0820413A
701820413D




CN3525
Volvo 240 Series

Length: 650mm
Height: 385mm
Thickness: 32mm

Inlet: # 8 MIOR
Outlet: # 6 MIOR




CN3531
Volvo 740 Series, 6/85-12/89
Volvo 760 Series, 2/83-12/89

Length: 570mm
Height: 428mm
Thickness: 25mm

Inlet: # 8 MIOR
Outlet: # 6 MIOR

RD7020

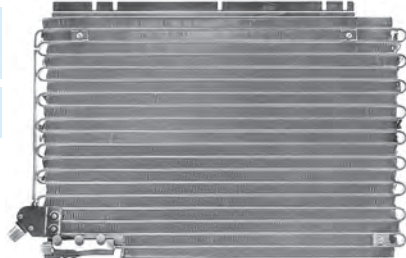


CN5046
Volvo 740, 90>

Length: 617mm
Height: 396mm
Thickness: 22mm

Inlet: # 8 MIOR
Outlet: # 6 MIOR

3537069-1




CN3530
Volvo 760, 1/90-12/90

Length: 570mm
Height: 438mm
Thickness: 25mm

Inlet: # 8 MIOR
Outlet: # 6 MIOR

RD7032



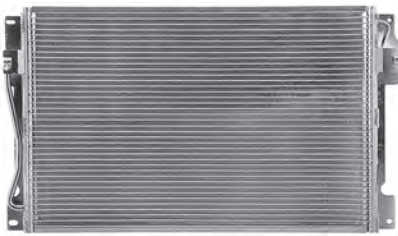
CN4083
Volvo 850, 10/95-3/97

Length: 620mm
Height: 402mm
Thickness: 21mm

Inlet: Pad
Outlet: Pad

RD7055

6849575-3
9171271




CN4082
Volvo 850, 10/92-9/96

Length: 620mm
Height: 402mm
Thickness: 21mm

Inlet: # 8 MIOR
Outlet: # 6 MIOR

RD7055

3545758-9




CN5046
Volvo 940, 4/91-3/96
Volvo 960, 11/94-3/98

Length: 617mm
Height: 396mm
Thickness: 22mm

Inlet: # 8 MIOR
Outlet: # 6 MIOR

3537069-1




CN5035
Volvo 940 Turbo, 92>

Length: 617mm
Height: 396mm
Thickness: 22mm

Inlet: # 8 MIOR
Outlet: # 6 MIOR

RD7032

R12 Fitting Profile
3537802




CN3530
Volvo 960, 11/90-10/94

Length: 570mm
Height: 438mm
Thickness: 25mm

Inlet: # 8 MIOR
Outlet: # 6 MIOR

RD7032

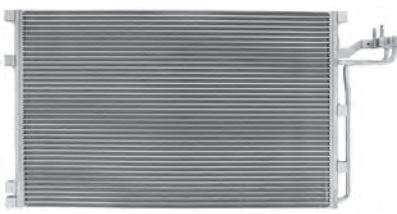


CN5548
Volvo C30, 10/06>
Volvo C70, Convertible, 3/06>

Length: 625mm
Height: 380mm
Thickness: 16mm

Inlet: Pad
Outlet: Pad

31332302



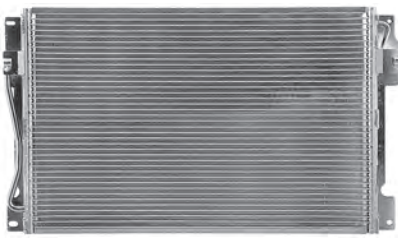
CN4083
Volvo C70, 8/89>

Length: 620mm
Height: 402mm
Thickness: 21mm

Inlet: Pad
Outlet: Pad

RD7055

6849575-3
9171271




CN0703
Volvo F10, F12, 98

Length: 648mm
Height: 406mm
Thickness: 32mm

Inlet: # 8 MIOR
Outlet: # 6 MIOR

RD3900

354758-9




CN0706
Volvo FH12, 93-97

Length: 840mm
Height: 335mm
Thickness: 20mm

Inlet: # 8 MIOR
Outlet: # 6 MIOR

RD3912

8144689




CN0711
Volvo FH12, FH16

Length: 838mm
Height: 352mm
Thickness: 18mm

Inlet: Pad
Outlet: Pad

From VIN 123488

Horizontal Pad




CN0707
Volvo FL12, 98>

Length: 840mm
Height: 355mm
Thickness: 20mm

Inlet: Pad
Outlet: Pad

3062652

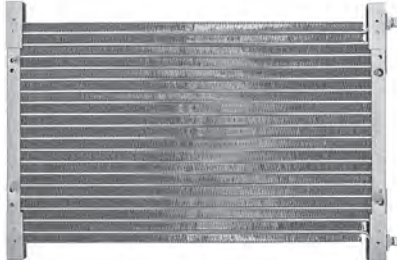


CN0708
Volvo FL7, FL10, 9/85>
Volvo FL16, 88>

Length: 685mm
Height: 390mm
Thickness: 20mm

Inlet: # 8 MIOR
Outlet: # 6 MIOR

1618701
1080664




CN0704
Volvo FM420, 98>

Length: 680mm
Height: 330mm
Thickness: 18mm

Inlet: Pad
Outlet: Pad

RD6124

Horizontal Pad




CN5548
Volvo S40, 1/04>

Length: 625mm
Height: 380mm
Thickness: 16mm

Inlet: Pad
Outlet: Pad

RD7039

31332302




CN5313
Volvo S40, V40, 97>

Length: 650mm
Height: 350mm
Thickness: 16mm

Inlet: Pad
Outlet: Pad

RD7039 (S40)

CAB311B085
CAB311B125




CN5082
Volvo S60, S80, 1/01>
Volvo V70, 1/01>

Length: 688mm
Height: 430mm
Thickness: 22mm

Inlet: Pad
Outlet: Pad

RD7092

V31101324
6848889




CN5100
Volvo S60

Length: 635mm
Height: 430mm
Thickness: 16mm

Inlet: Pad
Outlet: Pad

RD7092




CN0705
Volvo Truck FH12, FH16, 98>

Length: 836mm
Height: 330mm
Thickness: 18mm

Inlet: Pad
Outlet: Pad

20838905
3980841
20515134

Vertical Pad




CN0585
Volvo Truck NH12, VN Series

Length: 815mm
Height: 412mm
Thickness: 20mm

Inlet: Pad
Outlet: Pad

20956587
21095290

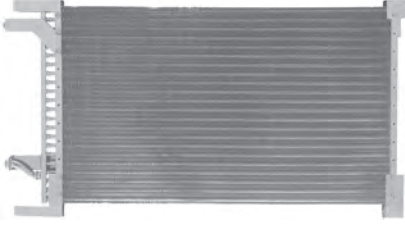


CN0709
Volvo Truck NH12, 96-02

Length: 656mm
Height: 363mm
Thickness: 22mm

Inlet: # 8 MIOR
Outlet: # 6 MIOR

8074693

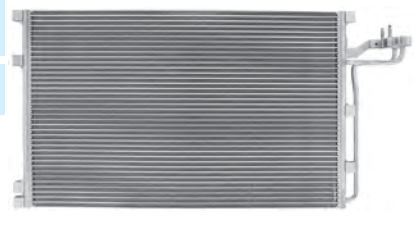


CN5548
Volvo V50, 4/04>

Length: 625mm
Height: 380mm
Thickness: 16mm

Inlet: Pad
Outlet: Pad

31332302




CN5545
Volvo V50
Volvo V70

Length: 625mm
Height: 380mm
Thickness: 16mm

Inlet: Pad
Outlet: Pad

4N5H19710AE

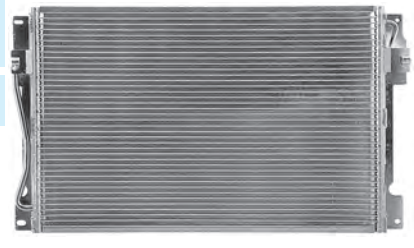


CN4083
Volvo V70, S70, 4/97-1/01

Length: 620mm
Height: 402mm
Thickness: 21mm

Inlet: Pad
Outlet: Pad

RD7055
6849575-3
9171271




CN5485
Volvo V70, S80

Length: 623mm
Height: 472mm
Thickness: 16mm

Inlet: Pad
Outlet: Pad

RD7092
6G9119710CC

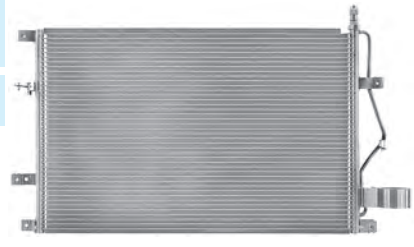


CN5082
Volvo XC70, XC80, XC90

Length: 688mm
Height: 430mm
Thickness: 22mm

Inlet: Pad
Outlet: Pad

RD7092
V31101324
6848889




CN5364
Volvo XC90

Length: 633mm
Height: 432mm
Thickness: 16mm

Inlet: Pad
Outlet: Pad

3078120
87621313

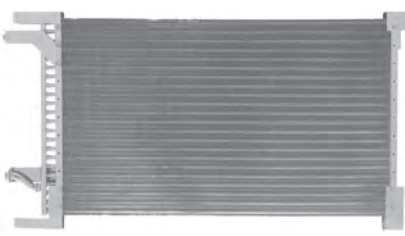


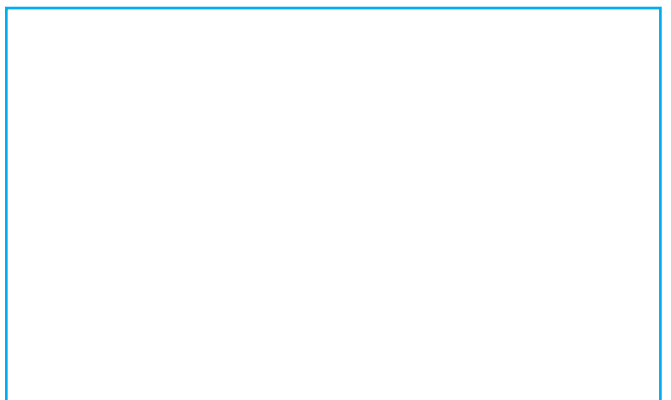
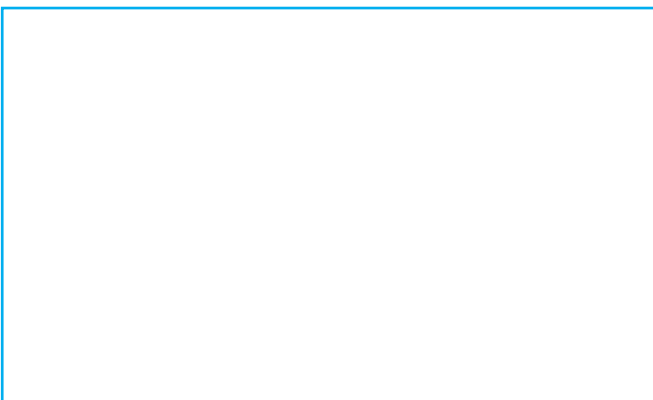
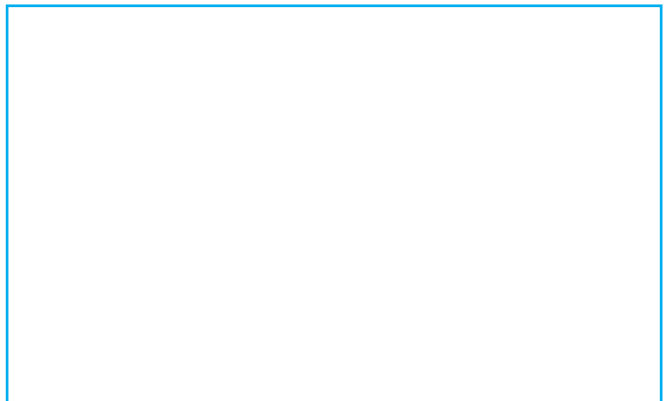
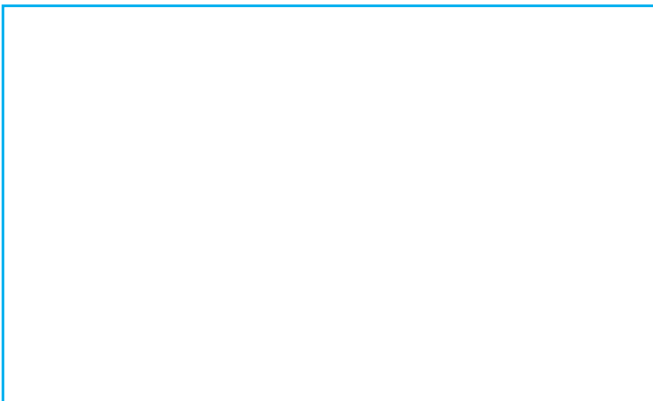
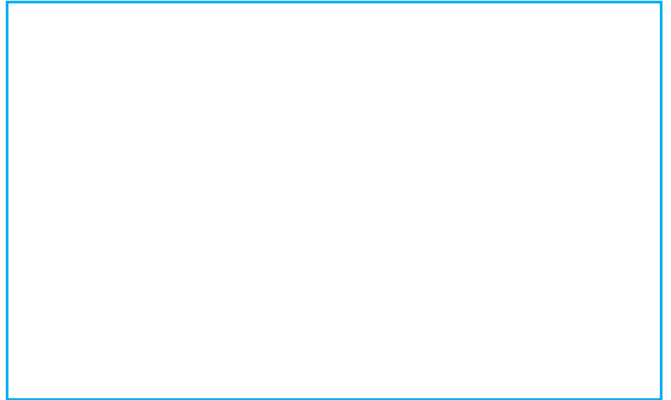

CN0709
White Truck, 96-02

Length: 656mm
Height: 363mm
Thickness: 22mm

Inlet: # 8 MIOR
Outlet: # 6 MIOR

8074693





Make & Model	Year	Part No.	Page No.
Acco			
C250		EV5326	364
Alfa Romeo			
156	02-06	EV3171	364
AMC			
CM2000		EV2560	363
Audi			
80	10/92>	EV3155	364
80	87-9/92	EV3154	364
90	87-9/92	EV3154	364
A3 (8L1) 1.6Lt, 1.8Lt	00>	EV3169	364
A4	95-98	EV3156	364
A4 Quattro	95-98	EV3156	364
A8		EV3181	364
TT Roadster (8N9) 1.8Lt turbo, 3.2Lt V6	99-06	EV3169	364
TT (8N3) 1.8Lt turbo	99-06	EV3169	364
BMW			
3 Series E46	9/00>	EV3057	365
3 Series E36 316i Compact	95>	EV3048	365
3 Series E36 316i Compact	95>	EV3060	365
3 Series E36	91>	EV3033	365
3 Series E30	3/80-3/91	EV3035	365
5 series E39	95-00	EV3049	365
5 Series E39	4/96-4/04	EV3385	365
5 Series E34	89-92	EV3031	365
7 Series E38	11/94-1/02	EV3058	365
7 Series E38	95>	EV3041	366
7 Series E32	94>	EV3031	365
8 Series E32	96>	EV3031	365
X3 E83	10/03>	EV3057	366
Z3 Roadster E36	10/95-6/03	EV3059	366
Caterpillar			
Caterpillar Skid Steer		EV5820	366
Caterpillar		EV3470	366
Chrysler			
Neon	7/96>	EV3172	366
PT Cruiser	7/00>	EV3172	366
Voyager	2/97-3/08	EV3056	366
Cooltemp			
Cooltemp		EVC008	364

Make & Model	Year	Part No.	Page No.
DU40-0-RHD		EVC010	363
Large Box O'ring		EVC005	363
Medium Box O'ring		EVC022	363
Small Box O'ring		EVC004	363
Daewoo			
Cielo, 1.5Lt	10/95-4/98	EV3308	366
Espero, 2.0Lt	3/95-7/97	EV3308	366
Racer, 1.5Lt	95>	EV3308	366
Daihatsu			
Applause	10/93-5/00	EV3511	366
Applause A101	10/89-9/93	EV3410	367
Charade L251S	7/03-12/05	EV3546	367
Charade G200, G202, G203	2/93>	EV3252	367
Charade G100, G102	3/87-93	EV3418	367
Copen L880	10/03-12/05	EV3535	367
Cuore	7/00-9/03	EV3535	367
Delta	8/94>	EV3524	367
Feroza F300	11/93>	EV3510	367
Feroza F300	10/88>	EV3415	367
Handivan L701	3/99>	EV3535	367
Handivan	81>	EV3547	367
Pyzar G301, G303	2/97-7/00	EV3252	367
Rocky	10/86>	EV3419	368
Sirion	7/98-12/05	EV3534	368
Terios	10/00-12/05	EV3536	368
Terios J100, J102	7/97-10/00	EV3253	368
YRV	7/01-1/05	EV3548	368
Dodge			
Ram 1500, 2500, 3500	02-06	EV6595	368
Ford			
Capri SA86	89-92	EV3396	368
Capri R12	85-87	EV3432	368
Corsair UA	89-92	EV3109	368
Courier PE	00>	EV9952	369
Courier	91-93	EV3257	369
Econovan	89-93	EV2474	369
Escape	2/01-06	EV3528	369
Falcon FG	5/08>	EV3199	369
Falcon BA, BF, FG	9/02>	EV3184	369
Falcon AU	9/98>	EV3302	369

Make & Model	Year	Part No.	Page No.	Make & Model	Year	Part No.	Page No.
Falcon EB2, EF, EL	2/92>	EV3131	369	FC3W	94>	EV3507	373
Falcon XF, EA, EB	>2/92	EV1042M	369	FD, FT, FF, FS, FM, GT, FC, GD	96>	EV3504	373
Festiva WB, WF	>9/94	EV3142	369	FD, GD	91-92	EV3407	373
Festiva, 1.3Lt	91-93	EV2474	370	FD1J, FC1J, FG	86>	EV3559	373
Festiva	91	EV3257	370	FE, FF, FD3H, FM3M, FT3W, GT3H, Super Eagle	93-96	EV3502	373
Fiesta WP	4/04-1/06	EV3338	370	SS330	90>	EV3417	374
Focus LR	9/02-4/05	EV9954	370	Hitachi			
Laser KN, KQ	3/99-8/02	EV3329	370	Zaxis 200 Excavator		EV3782	374
Laser KN, KQ	3/99-8/02	EV3331	370	Holden			
Laser KJ	10/94-3/99	EV3147	370	Apollo JM, JP	3/93-5/97	EV3519	374
Laser KH, R134a Type	93>	EV3290	370	Apollo JK, JL	8/89-3/93	EV3112	374
Laser KF, KH R12 Plate Type	93>	EV3190	370	Astra TS	2/02>	EV3219	374
Laser KC, KE	85-87	EV3432	370	Astra TS	6/99>	EV3217	374
Laser KA, KB	83-85	EV3263	371	Astra TR	95-98	EV3212	374
Maverick	8/87-10/94	EV3152	371	Barina XC	2/01-12/05	EV3330	374
Mondeo HD, HE, 4 cyl, V6	9/99>	EV0035	371	Barina SB	4/94-2/01	EVF040	374
Mondeo HA, HB, HC, HD, 4 cyl, V6	95-9/99	EV0034	371	Barina MF, MH	1/89-3/94	EV3416	375
Raider	91-93	EV3257	371	Barina ML	1/89-3/94	EV3421	375
Ranger	09>	EV3361	371	Captiva CG	10/06>	EV3389	375
Taurus	96>	EV9950	371	Combo XC	9/02>	EV3330	374
Telstar AX	92-96	EV3295	371	Commodore VE	8/06>	EV3464	375
Telstar AT	81-91	EV3130	371	Commodore VY II, VZ	8/03-8/07	EV3327	375
Telstar AR	83-87	EV3120	371	Commodore VT, VX, VY, VU Ute	9/97-7/03	EV3293	375
Territory	08>	EV3199	372	Commodore VR, VS	7/93-8/97	EV3272	375
Territory SX, SY	5/04-4/11	EV3184	372	Commodore VN, VP	8/88-6/93	EV2514	375
Trader		EV2474	372	Commodore VG, VP Ute	8/90-7/93	EV2514	375
Trader		EV3257	372	Commodore VL	5/86-8/88	EV3107	375
Formula				Jackaroo UBS92	4/92-1/98	EV3289	375
Formula II		EV3202	372	Jackaroo UBS87	3/87-92	EV2474	376
Formula III Heat & Cool		EV2231	372	Monaro V2C, CV6, CV8	12/01>	EV3293	375
Formula 747		EV3203	372	Nova LG	9/94-4/97	EV3259	376
Formula Concord Plus		EV3208	372	Nova LE, LF	7/89-8/94	EV3122D	376
Formula King		EV2211	372	Rodeo RA07	03-07	EV2029	376
Formula King Heat & Cool		EV2229	373	Rodeo RA03	3/03>	EV2028	376
Formula Micro Bus Series I & II		EV3205	373	Rodeo TF93, TF97, TF99	9/93>	EV3289	376
Formula Mini Bus Series I & II		EV3029	373	Rodeo TF, V6 Petrol, 2.8Lt Diesel	92-03	EV3222	376
Hino				Rodeo TF88, TF93	2/88-8/93	EV3257	376
Dutro		EV3319	373				

Make & Model	Year	Part No.	Page No.
Rodeo KB	3/87>	EV2474	376
Statesman WH	6/99-4/03	EV3293	376
Statesman VQ	3/90-2/94	EV2514	377
Tigra XC	10/05-9/07	EV3330	377
Vectra ZC	3/03-12/06	EV3196	377
Viva JF	9/05-5/09	EV3369	377
Viva JF	9/05-5/09	EV3371	377
Zafira TT	6/01-5/06	EV3219	377
Honda			
Accord	97-03	EV3332	377
Accord CB	2/92>	EV2900	377
Accord	90-92	EV3243	377
Civic, Hybrid	04-05	EV3348	378
Civic	4/96>	EV3283	378
Civic	92-10/93	EV3277	378
Civic	90-93	EV3243	378
CRV	02-06	EV3348	378
CRV	4/96>	EV3283	378
Integra	6/93>	EV3283	378
Integra	90>	EV3328	378
Jazz	10/02-2/06	EV3346	378
Legend	97>	EV3305	378
Odyssey	06>	EV3022	378
Hyundai			
Accent	00-05	EV3191	379
Excel X3	95>	EV3140	379
Excel X2 & X3	>11/94	EV3139	379
FX Coupe	97-98	EV3137	379
Getz	05>	EV3192	379
i30	10/07>	EV3125	379
i45	5/10>	EV3177	379
Lantra	95-97	EV3137	379
Lantra & Lantra Coupe	90-95	EV3139	379
S Coupe	93-94	EV3139	379
Sonata NF	6/05>	EV3195	379
Sonata		EV3168	379
Sonata EF		EV3167	380
Trajet	7/00>	EV3167	380
Isuzu			
F Series	84>	EV3350	380

Make & Model	Year	Part No.	Page No.
FSR, FTR, FVR, FVZ, FVM	84>	EV2474	380
FVD950, FSR700A, Long Bed	00-08	EV3137	380
Isuzu		EV3257	380
N Series	84>	EV3349	380
NKR, NPS, 4.3Lt	96>	EV3316	380
Iveco			
2350G	98>	EV5326	380
Jaguar			
S Type	00-08	EV3193	381
X300	94-97	EV3176	381
XJ40 (Pad Fittings)		EV3159	381
Jeep			
Cherokee Sport	97-00	EV3051	381
Grand Cherokee	02>	EV3091	381
Grand Cherokee	99-02	EV3054	381
Grand Cherokee ZG	96-99	EV3052	381
Wrangler	96-02	EV3051	381
Kia			
Mentor SRS2 K9E	4/98>	EV3013	381
Mentor	97>	MEV016	381
Optima GD	5/01-7/06	EV3167	382
Rio	00>	EV3198	382
Sorento	03-06	EV3161	382
Sportage	97>	EV3012	382
Komatsu			
Komatsu		EV3090	382
Komatsu		EV3651	382
Komatsu		EV3781	383
PC138-8		EV3672	382
PC220-7, PC1250-7 Excavator		EV4970	382
PC300-3		EV0990	382
WA250-3		EV3543	382
Kubota			
Kubota	6/97>	EV1250	383
Kysor			
KA-300 Rooftop		EV0074	383
Land Rover			
Discovery I & II	93-98	EV1564	383

Make & Model	Year	Part No.	Page No.
Lexus			
ES300 MCV20	8/96>	EV3519	383
ES300 VCV10	8/93>	EV3519	383
ES300 VCV10	3/92-7/93	EV7741	383
IS F USE20R	10/08>	EV3452	383
IS250 GSE20R	11/05>	EV3452	383
IS350 GSE21R	10/10>	EV3452	383
LS400 UCF20R	10/94-11/00	EV3247	383
LS400 UCF10R	5/90-10/94	EV3249	383
LX470 UZJ100R	5/98-3/08	EV8807	384
LX570 URJ201R	4/08>	EV8809	384
RX350 GSU35R	2/06-1/09	EV3352	384
RX450H GLY15R	6/09>	EV3358	384
Mazda			
121	>9/94	EV3142	384
121	94-98	EV3147	384
121	81-84	EV3444	384
323 BJ Astina	8/99-5/02	EV3331	384
323 Protégé	98>	EV3329	385
323 BA	7/94-9/98	EV3147	384
323	93>	EV3290	385
323	85-87	EV3432	385
323	83-88	EV3263	385
323	81-84	EV3444	384
626 GE	91>	EV3295	385
626 GD	87>	EV3130	385
626	83>	EV3120	385
B Series	00>	EV9952	385
B Series 2600	95>	EV3512	385
B Series 2600	85	EV3257	386
BT50	06-11	EV3361	386
E Series	91	EV3257	386
E Series		EV2474	386
Mazda 3	03>	EV3550	384
Mazda 6	06>	EV3549	385
MPV	00>	EV3545	386
MX5 NC	9/05>	EV3552	386
MX5	94>	EV3503	386
Tribute	12/00>	EV3528	386

Make & Model	Year	Part No.	Page No.
Mercedes			
R129, 280, 300SL, 320, 500, 500SL, 55AMG, 60AMG	89-01	EV3238	386
W116	73-81	EV3016	386
W124, 300E	89>	EV3129	386
W203, C203, T203, C209, W209, CLK	02-07	EV3388	387
W220 S Class	00>	EV3387	387
Mitsubishi			
Canter	84-89	EV3257	387
L300 SH, SJ	6/94>	EV3289	387
L300 SF, SG, SH	8/86-6/94	EV2474	387
Lancer CE Sedan & Coupe	8/01-9/04	EV3178	387
Lancer CE	5/96-7/01	EV3300	387
Lancer CC	9/92-7/96	EV3317	387
Magna TE, TF, TH, TJ	2/96-4/04	EV3146	387
Magna TS	3/94-2/97	EV3145	388
Mirage CE, 1.5Lt	8/01-8/04	EV3178	388
Mirage CE	5/96-7/01	EV3300	388
Nimbus UF	6/91-7/98	EV3257	388
Outlander	03>	EV3345	388
Pajero NM, NP	2/00>	EV3325	388
Pajero NM, NP	2/00>	EV3326	388
Pajero NH Petrol	>97	EV3257	388
Pajero NF, Diesel	>97	EV3257	388
Pajero NJ, NK, NL	8/93>	EV2476	388
Pajero NH	2/91-8/93	EV3289	388
Pajero ND, NF, NG	86-00	EV2474	389
Triton ML	11/06>	EV3344	389
Triton MK	04>	EV3336	389
Triton MK	6/96>	EV3300	389
Triton MJ	6/94-5/95	EV3289	389
Verada KE, KF, KH, KJ	2/96-7/03	EV3146	389
Verada KS	3/94-3/96	EV3145	389
Nissan			
Maxima A32	95-98	EV3165	389
Maxima A32	95-98	EV3166	389
Micra K11	95-97	EV3289	389
Navara	97>	EV3910	390
Navara	89	EV3265	390
Pathfinder	97>	EV3910	390

Make & Model	Year	Part No.	Page No.
Patrol TY61, Y61	2/99>	EV3164	390
Patrol Y60 GQ	10/94-9/97	EV3282	390
Patrol Y60 GQ	8/87-9/97	EV3163	390
Patrol Y60 GQ	8/87-10/94	EV3152	390
Pintara U12, FWD	89-92	EV3109	390
Pintara R31, RWD	89-90	EV0091	390
Pulsar N16	7/00>	EV3368	390
Pulsar N14	91-95	EV3144	390
Skyline R31	89-90	EV0091	390
Tiida	2/06>	EV3367	391
X-Trail		EV3189	391
Peugeot			
206	6/00>	EV3903	391
306	98>	EV3384	391
306	98>	EV3901	391
306	98>	EV3902	391
405	94>	EV3906	391
406	98>	EV3901	391
Porsche			
911	95>	EV3324	391
Red Dot			
Red Dot R-10034, R-2520, R-9500, R-9510		EV7030	392
Red Dot R-10035, R-8500		EV5030	392
Red Dot R-10040, R-2180, R-7070		EV6950	392
Red Dot R-10044		EV0308	392
Red Dot R-1-170, R-5040, R-5045-2, R-5075		EV7070	392
Red Dot R-1550, R-1600-0, R-1600-1		EV6430	392
Red Dot R-1620		EV0309	392
Red Dot R-2000		EV5200	392
Red Dot R-2100		EV5320	392
Red Dot R-2110, R-2130		EV5202	392
Red Dot R-2550		EV0311	393
Red Dot R-4130, R-4160, R-4170, R-4180, R-4190		EV6150	393
Red Dot R-5050, R-8050, R-8820		EV6180	393
Red Dot R-5060		EV6310	393
Red Dot R-5130		EV6850	393
Red Dot R-5150, R-8800		EV7510	393
Red Dot R-5180		EV7010	393
Red Dot R-6000, R-6100		EV5500	393
Red Dot R-7820, R-7830		EV6350	393

Make & Model	Year	Part No.	Page No.
Red Dot R-8545		EV5321	393
Red Dot R-9727-1 (late)		EV7100	394
Red Dot R-9737-3, R-9757		EV0306	394
Red Dot R-9750		EV4900	394
Red Dot R-9755		EV4920	394
Red Dot R-9777		EV5820	394
Red Dot R-9800		EV5700	394
Saab			
900	98>	EV3158	394
9-3	98>	EV3196	394
9-5	9/97>	EV3187	394
Scania			
P, R, T Series	9/04>	EV4071	395
Skoda			
Roomster	7/01-3/10	EV6339	395
Subaru			
Forester MY08	9/07>	EV3197	395
Impreza	9/07>	EV3197	395
Legacy	90-94	EV3271	395
Liberty	94-97	EV3299	395
Liberty	90-94	EV3271	395
Outback	09>	EV3468	395
Suzuki			
Alto YE-2	86>	EV5420	395
Alto	3/86>	EV3430	395
Baleno, 1.6Lt, 1.8Lt	3/94>	EV3527	395
Sierra, 1.3Lt	3/94>	EV3514	396
Sierra, 1.3Lt	1/85>	EV3431	396
Swift SA, SF	10/88-5/00	EV3416	396
Vitara	95>	EV3294	396
Vitara JX, JLX	10/88-10/94	EV3411	396
Vitara	88	EV3413	396
X90	4/96-5/98	EV3294	396
Toyota			
4 Runner LN130, RN130, VZN130	99>	EV8806	396
4 Runner LN, RN, YN, Surf	90-93	EV3412	396
4 Runner LN130	89	EV3442	397
4 Runner YN63	87>	EV3423	397
Aurion GSV40R	10/06-3/12	EV3445	397
Avalon MCX10R	7/00-3/06	EV3519	397



Make & Model	Year	Part No.	Page No.	Make & Model	Year	Part No.	Page No.
Avensis Verso ACM20R, ACM21R	5/01-11/10	EV3440	397	Hiace KDH200R, KDH222R, KDH223R Diesel	05>	EV1211	400
Avensis Verso ACM20	5/01-10/03	EV3540	397	Hiace TRH201R, TRH221R, TRH223R Petrol	05>	EV1211	400
Camry ACV40R	6/06-1/12	EV3445	397	Hiace SBV, RCH12R, RCH22R	9/95-2/05	EV3522	400
Camry ACV36R, MCV36R	9/02-6/06	EV3182	397	Hiace LH103, LH113, RZH103, RZH113	12/92>	EV8802	400
Camry MCV20, SXV20, SDV10	8/97>	EV3519	397	Hiace LH103, LH113, RZH103, RZH113	11/89>	EV6651	401
Camry SV20, SV21, SV22	8/89-3/93	EV3112	398	Hiace	82-89	EV3128	401
Camry SV11	82-87	EV3113	398	Hilux GGN, KUN, TGN	3/05>	EV3179	401
Celica ZTT231R	8/99-3/06	EV3538	398	Hilux LN166, LN167	00-04	EV3554	401
Celica ST204	3/94-11/99	EV3515	398	Hilux LN, KZN, RZN	8/97>	EV3533	401
Celica ST204, ST205 GT-4	11/93-8/95	EV3505	398	Hilux LN, RN, YN	12/93-7/94	EV3513	401
Celica ST184R, ST185R, GT-4	11/87-3/94	EV3310	398	Hilux LN, RN, YN	90-93	EV3412	401
Celica ST162	8/85-11/89	EV3112	398	Hilux LN, RN, YN	88-90	EV3115	401
Commuter LH162, LH172, RZH103, RZH113, LH125, RZH125	12/92>	EV8802	398	Kluger GSU40R, GSU45R	8/07>	EV3447	401
Commuter LH125, RZH125	89>	EV6651	398	Kluger MCU28	8/03-7/07	EV3439	401
Corolla ZRE152R	5/07>	EV3179	398	Landcruiser 200 Series, UZJ200, VDJ200, GRJ200	11/07>	EV8809	402
Corolla ZZE122R, ZZE123R	12/01-4/07	EV3539	398	Landcruiser 100 Series, FZJ105, HZJ105	98-01	EV8807	402
Corolla AE112R	10/98-11/01	EV3526	399	Landcruiser VDJ76R, VDJ78R, VDJ79R	3/07>	EV3339	402
Corolla AE101, AE102 Sprinter	9/94-4/97	EV3259	399	Landcruiser 80 Series	5/90>	EV8804	402
Corolla AE92, AE93, AE94, AE95, AE96	8/93-7/95	EV3286	399	Landcruiser 80 Series	90-98	EV8805	402
Corolla AE90, AE92, AE93, AE95	7/89-8/94	EV3122D	399	Landcruiser 80 Series	90-98	EVF150	402
Corolla AE82	5/83-5/89	EV3121	399	Landcruiser HZJ78 Wagon, HZJ79 Pickup	8/99>	EV3318	402
Corolla KE70	79-83	EV3110	399	Landcruiser HZJ75, HDJ78, HDJ79, FZJ78, FZJ79	90-99	EV3297	402
Corona RT132, XT130	78-82	EV3119	399	Landcruiser FZJ70, HZJ70	91-92	EV3118	402
Cressida MX83	10/88-9/93	EV3285	399	Landcruiser HJ70, HJ75, FJ70, FJ75, BJ70, BJ75	1/85-90	EV3117	402
Cressida MX73	84-12/88	EV3264	399	Landcruiser HJ60, FJ60	80-90	EV3116	403
Cressida MX63	81-84	EV2902	399	Liteace CM35, CM36, KM30, KM35, KM36, KM40	86-90	EV3428	403
Dyna LY211, BU142	99>	EV8806	400	Liteace YM30, YM40	86>	EV3426	403
Dyna 5L	99>	EV3319	400	MR2 ZZW30R	10/00-3/06	EV3409	403
Dyna	93-95	EV3524	400	MR2 SW20	9/93-12/99	EV3509	403
Dyna	86-93	EV3422	400	MR2 SW20	3/90-8/93	EV3406	403
Echo NCP10R, NCP12R, NCP13R	8/99-10/05	EV3537	400				
FJ Cruiser GSJ15R	3/11>	EV3340	400				
Hiace KDH201R LPG	06>	EV1211	400				

Make & Model	Year	Part No.	Page No.
MR2 AW11	10/87-2/90	EV3427	403
Paseo EL54	12/95-12/99	EV3521	403
Paseo EL44	4/91-8/93	EV3405	403
Prado GRJ150R, KDJ150R	11/09>	EV3354	403
Prado KZJ120R, GRJ120R, RZJ120R	9/02-10/09	EV3320	404
Prado KDJ120R	11/06-10/09	EV3340	404
Prado KZJ95, RZJ95, VZJ95	5/96-2/03	EV3306	404
Prado RZJ95, VZJ95, KZJ95	5/96-2/03	EV3365	404
Prius ZVW30R	4/09>	EV3450	404
Prius NHW11R, NHW20R	10/01-6/09	EV3486	404
Rav4 ACA33R, 2.4Lt	2/06>	EV3544	404
Rav4 ACA21, ACA23, 2.4Lt	03-1/06	EV3542	404
Rav4 ACA20, ACA21	8/00>	EV3541	404
Rav4 SXA10R, SXA11R	9/96-10/00	EV3520	404
Rav4	3/94-8/97	EV3521	405
Rukus AZE15R	5/10>	EV1211	405
Rukus AZE15R	5/10>	EV3454	405
Soarer	91	EV3529	405
Spacia SR40	1/98>	EV3531	405
Spacia SR40	1/98>	EV3532	405
Spacia YR22	8/93-7/97	EV3506	405
Starlet EP91R	1/96-10/99	EV3530	405
Tarago ACR50R, GSR50R	3/06>	EV3447	401
Tarago ACR30	6/00-2/06	EV3540	405

Make & Model	Year	Part No.	Page No.
Tarago TCR10R, TCR11R	8/93-8/00	EV3305	405
Tarago TCR10R, TCR11R, TCR20R, TCR21R	9/90-8/93	EV3404	406
Tarago CR, YR	7/83-12/90	EV3442	406
Townace KR42	10/96-2/05	EV3532	406
Townace YR39	8/93-10/96	EV3506	406
Yaris NCP130R, NCP131R	11/11>	EV3590	406
Yaris NCP90R, NCP91R, NCP93R	11/05>	EV1990	406
Universal			
Universal Plate & Fin		EV3284	363
Universal Plate & Fin		EV3257	363
Universal Plate & Fin		EV3289	363
Universal Plate & Fin		EV3300	363
Volkswagen			
Beetle	00>	EV3169	406
Bora	00>	EV3169	406
Golf	00>	EV3169	406
Passat V6	97-05	EV3156	406
Polo (9N)	02>	EV6339	406
Transporter		EV3780	407
Volvo			
700 Series	92-93	EV3141	407
850	92-98	EV3143	407
S70	92-98	EV3143	407
S80	99>	EV3211	407
V70	92-98	EV3143	407



Evaporator Assemblies - Conceal Type

EV2216
Formula I 12V

BTU's:
8,680
Air Flow:
230 CFM (391 m3/h)

Width: 375mm
Depth: 287mm
Height: 140mm



EV2218
Formula II 12V

BTU's:
14,945
Air Flow:
234 CFM (398 m3/h)

Width: 370mm
Depth: 323mm
Height: 155mm



EV2221
Formula 747 12V

BTU's:
11,205
Air Flow:
317 CFM (538 m3/h)

Width: 420mm
Depth: 286mm
Height: 144mm



EV2208
Formula King 12V

BTU's:
21,308
Air Flow:
358 CFM (609 m3/h)

Width: 462mm
Depth: 342mm
Height: 165mm



EV2209
Formula King 24V

BTU's:
22,861
Air Flow:
406 CFM (689 m3/h)

Width: 462mm
Depth: 342mm
Height: 165mm



EV2227
Mini Bus 12V

BTU's:
20,989
Air Flow:
613 CFM (1041 m3/h)

Width: 680mm
Depth: 236mm
Height: 143mm



EV3015
Bus One 12V

BTU's:
29,588
Air Flow:
593 CFM (1008 m3/h)

Width: 805mm
Depth: 320mm
Height: 175mm



EV3019
Bus One 24V

BTU's:
33,698
Air Flow:
737 CFM (1252 m3/h)

Width: 805mm
Depth: 320mm
Height: 175mm



Evaporator Assemblies - Dash Type

EV2217
Formula I 12V

BTU's:
8,370
Air Flow:
216 CFM (368 m3/h)

Width: 375mm
Depth: 287mm
Height: 140mm



EV2215
Formula II 12V

BTU's:
14,351
Air Flow:
219 CFM (372 m3/h)

Width: 370mm
Depth: 323mm
Height: 155mm



EV2222
Formula III 12V

BTU's:
18,853
Air Flow:
331 CFM (562 m3/h)

Width: 403mm
Depth: 325mm
Height: 154mm



EV2210
Formula Excel 12V

BTU's:
17,505
Air Flow:
293 CFM (498 m3/h)

Width: 400mm
Depth: 310mm
Height: 150mm



EV2238
Formula Excel 24V

BTU's:
17,778
Air Flow:
300 CFM (511 m3/h)

Width: 400mm
Depth: 310mm
Height: 150mm



EV2219
Formula 747 12V

BTU's:
10,253
Air Flow:
273 CFM (464 m3/h)

Width: 420mm
Depth: 290mm
Height: 144mm



EV2220
Formula 747 24V

BTU's:
12,010
Air Flow:
355 CFM (604 m3/h)

Width: 420mm
Depth: 290mm
Height: 144mm



EV2206
Formula King 12V

BTU's:
19,883
Air Flow:
321 CFM (546 m3/h)

Width: 462mm
Depth: 330mm
Height: 165mm



EV2207
Formula King 24V

BTU's:
21,396
Air Flow:
363 CFM (617 m3/h)

Width: 462mm
Depth: 330mm
Height: 165mm



EV3009
Micro Bus 12V

BTU's:
38,493
Air Flow:
617 CFM (1049 m3/h)

Width: 805mm
Depth: 344mm
Height: 142mm



EV3007
Micro Bus 24V

BTU's:
43,720
Air Flow:
763 CFM (1297 m3/h)

Width: 805mm
Depth: 344mm
Height: 142mm



EV2235
Micro Bus Series II 12V

BTU's:
38,493
Air Flow:
617 CFM (1049 m3/h)

Width: 805mm
Depth: 365mm
Height: 140mm



EV2236
Micro Bus Series II 24V

BTU's:
43,720
Air Flow:
763 CFM (1297 m3/h)

Width: 805mm
Depth: 365mm
Height: 140mm



EV3020
Microbus 12V

BTU's:
38,493
Air Flow:
617 CFM (1049 m3/h)

Width: 805mm
Depth: 344mm
Height: 142mm



(LHD Connections)

EV3005
Mini Bus 12V

BTU's:
20,697
Air Flow:
599 CFM (1017 m3/h)

Width: 680mm
Depth: 285mm
Height: 143mm



EV3006
Mini Bus 24V

BTU's:
22,674
Air Flow:
697 CFM (1184 m3/h)

Width: 680mm
Depth: 285mm
Height: 143mm



EV2223
Mini Bus Series II 12V

BTU's:
20,697
Air Flow:
599 CFM (1017 m3/h)

Width: 680mm
Depth: 285mm
Height: 143mm



EV2224
Mini Bus Series II 24V

BTU's:
22,674
Air Flow:
697 CFM (1184 m3/h)

Width: 680mm
Depth: 285mm
Height: 143mm



Picture unavailable at time of printing
refer www.cooldrive.com.au

EV2228
Concord Plus 12V
Grey

BTU's:
18,520
Air Flow:
274 CFM (465 m3/h)

Width: 790mm
Depth: 265mm
Height: 100mm



EV2237
Concord Plus 24V
 Grey

BTU's:
 19,181
Air Flow:
 290 CFM (493 m3/h)

Width: 790mm
Depth: 265mm
Height: 100mm



Evaporator & Heater Assemblies - Conceal Type

EV2230
Formula King Evaporator & Heater 12V

BTU's:
 Heat - 25,400
 Cool - 15,475
Air Flow:
 359 CFM (609 m3/h)

Width: 445mm
Depth: 360mm
Height: 145mm



EV2242
Formula III Evaporator & Heater 12V

BTU's:
 Heat - 19,047
 Cool - 10,516
Air Flow:
 359 CFM (609 m3/h)

Width: 400mm
Depth: 305mm
Height: 135mm



Evaporator & Heater Assemblies - Dash Type

EV2241
Formula King Evaporator & Heater 12V

BTU's:
 Heat - 25,400
 Cool - 15,475
Air Flow:
 359 CFM (609 m3/h)

Width: 445mm
Depth: 340mm
Height: 145mm



EV2247
Formula King Evaporator & Heater 24V

BTU's:
 Heat - 11,047
 Cool - 16,297
Air Flow:
 359 CFM (609 m3/h)

Width: 442mm
Depth: 340mm
Height: 145mm



EV2240
Formula III Evaporator & Heater 12V

BTU's:
 Heat - 13,805
 Cool - 15,670
Air Flow:
 330 CFM (562 m3/h)

Width: 404mm
Depth: 335mm
Height: 156mm



Model Part Number											
Replacement Parts	EV2206	EV2207	EV2208	EV2209	EV2210	EV2215	EV2216	EV2217	EV2218	EV2219	EV2220
Coil	EV2211	EV2211	EV2211	EV2211	-	EV3202	EV3204	EV3204	EV3202	EV3203	EV3203
Bezel	LV3000	LV3000	LV3001	LV3001	LV3002	LV3003	LV3004	LV3005	LV3006	LV3007	LV3007
Motor	EM0922	EM0926	EM0925	EM0926	EM0922	EM0922	EM0922	EM0922	EM0922	EM0922	EM0923
TXValve	TX1009	TX1009	TX1009	TX1009	TX1009	TX1009	TX1009	TX1009	TX1009	TX1009	TX1009
Thermostat	TS7004	TS7005	TS7004	TS7005	TS7004	TS7004	TS7004	TS7004	TS7004	TS7004	TS7004
Resistor	SE3005	SE3014	SE3016	SE3015	SE3010	SE3008	SE3016	SE3008	SE3016	SE3005	SE3014
Blower Wheel	BW3006	BW3006	BW3006	BW3006	BW3005	BW3005	BW3005	BW3005	BW3005	BW3005	BW3005
Louvre	LV3035	LV3035	-	-	LV3033	LV3031	-	LV3030	-	LV3034	LV3034
Switch	SE2010	SE2011	SE2010	SE2011	-	-	-	-	-	SE2010	SE2011

Replacement Parts	EV2221	EV2222	EV2223	EV2224	EV2227	EV2228	EV2230	EV2235	EV2236	EV2237
Coil	EV3203	-	EV3029	EV3029	EV3029	EV3208	EV2229	EV3205	EV3205	EV3208
Bezel	-	LV3010	LV3011	LV3011	-	LV3013	LV3001	LV3014	LV3014	-
Motor	EM0922	EM0922	EM0922	EM0923	EM0922	EM0924	EM0922	EM0922	EM0926	-
TXValve	TX1009	TX1009	TX1009	TX1009	TX1009	-	TX1009	TX8731	TX8731	-
Thermostat	TS7004	TS7006	-	TS7021	TS7004	TS7022	TS7005	TS7004	TS7005	TS7022
Resistor	SE3016	SE3012	SE3011	SE3013	SE3025	SE3018	SE3015	SE3025	SE3017	-
Blower Wheel	BW3005	BW3005	BW3005	BW3005	BW3005	-	BW3006	BW3006	BW3006	-
Louvre	-	LV3037	LV3037	LV3037	-	LV3013	-	LV3037	LV3037	LV3013
Switch	SE2010	-	SE2015	SE2017	-	SE2016	SE2010	SE2015	SE2015	SW2225
Cap Ends						SP2228	-	-	-	SP2228

Replacement Parts	EV2238	EV2240	EV2241	EV2242	EV2247	EV3005	EV3006	EV3007
Coil	-	EV2231	EV2229	EV2231	EV2229	EV3029	EV3029	EV3205
Bezel	LV3002	LV3012	LV3000	-	LV3000	LV3025	LV3026	LV3029
Motor	EM0926	EM0922	EM0922	EM0922	EM0926	EM0922	EM0923	EM0926
TXValve	TX8731	TX1009	TX1009	TX8731	TX8731	TX1009	TX1009	TX1009
Thermostat	TS7005	TS7005	TS7004	TS7004	TS7005	TS7004	TS7005	TS7005
Resistor	-	SE3008	SE3008	SE3008	SE3014	SE3025	SE3027	SE3027
Blower Wheel	BW3005	BW3006	BW3006	BW3006	BW3006	BW3005	BW3005	BW3006
Louvre	LV3033	LV3031	LV3035	LV3031	LV3035	LV3034	LV3034	LV3035
Switch	-	-	SE2010	-	-	-	SE3525	SE2013



Replacement Parts	EV3009	EV3015	EV3019	EV3020
Coil	EV3205	EV3206	EV3206	EV3205
Bezel	LV3029	-	-	LV3029
Motor	EM0922	EM0922	EM0926	EM0922
TXValve	TX1009	TX3015	TX3015	TX8731
Thermostat	TS7004	TS7004	TS7005	TS7004
Resistor	SE3025	SE3009	SE3017	SE3009
Blower Wheel	BW3006	BW3006	BW3006	BW3006
Louvre	LV3035	-	-	LV3035
Switch	SE2014	-	-	SE2014



EV5501

(12V)

EV5502

(24V)

The KA-300 is the rooftop air conditioner that all other models are compared to. The KA-300's welded steel construction, extended life permanent magnet motors and high/low pressure system protection ensure a comfortable, cool cab. The KA-300 is recommended for on-highway vehicles where cab space is limited and airflow is not obstructed.

KA-300 RoofRider Evaporator



BTU's:

17,400

Air Flow:

245 CFM (416 m3/h)

Width: 624mm

Depth: 655mm

Height: 185mm

Weight: 33kg



EV5503

(12V)

EV5504

(24V)

The KA-700 Sidekick is the fleet standard for heavy duty air-conditioning. Features include welded steel construction, 360° adjustable air outlets, easy to reach controls and an extended life permanent magnet motor. The KA-700 easily mounts between the seats and to the backwall of most conventional cabs. Years of proven reliable performance, along with new universal installation kits, make the KA-700 the only choice for true heavy duty applications. Newly redesigned to be even more versatile without sacrificing performance and reliability.

KA-700 SideKick Evaporator



BTU's:

20,900

Air Flow:

285 CFM (484 m3/h)

Width: 340mm

Depth: 234mm

Height: 409mm

Weight: 13kg



EV5510

(12V)

EV5511

(24V)

The HD-1000 Rooftop air-conditioner is the ideal choice for severe operating conditions where a heavy duty unit is required. Sealed ball bearing motors, heavy gauge steel construction, and plenty of Kysor performance guarantee a rooftop unit built to last.

HD-1000 Heavy Duty RoofTop Evaporator



BTU's:

19,700

Air Flow:

264 CFM (448 m3/h)

Width: 615mm

Depth: 710mm

Height: 295mm

Weight: 38kg

Filter Element: EV7351
Recirc Kit: EV5544



EV5533

(12V)

The Upright Slimline offers the highest output available in its size. With positive shut off door for fresh or recirculated air and cleanable filters. The slimline is an ideal unit when space is minimal.

Upright Slimline Evaporator



BTU's:

23,000

Air Flow:

325 CFM (552 m3/h)

Width: 409mm

Depth: 168mm

Height: 457mm

Weight: 15kg



EV6912

(12V)

EV6924

(24V)

R-6100 Lightweight, high capacity unit with a styled low profile. Suited to heavy, medium and light duty trucks, and agricultural cabs.

R-6100 Rooftop Evaporator



BTU's:
16,000
Air Flow:
265 CFM (450 m3/h)
Width: 642mm
Depth: 790mm
Height: 188mm
Weight: 32kg

EV7272

(12V)

EV7274

(24V)

The R-9727 features heavy gauge steel construction and low profile ceiling plenum. Suited to construction, mining and agriculture where ruggedness counts.

R-9727 Rooftop Evaporator



BTU's:
22,000
Air Flow:
320 CFM (544 m3/h)
Width: 624mm
Depth: 768mm
Height: 264mm
Weight: 47kg

See CM9762

EV9777

(12V)

EV9778

(24V)

The R-9777 air-conditioner is the first in our industry to employ engineered resin technology. The Euro styling and design sets this unit far beyond the competition in appearance, durability and performance.

R-9777 Rooftop Evaporator



BTU's:
25,000
Air Flow:
355 CFM (580 m3/h)
Width: 760mm
Depth: 940mm
Height: 200mm
Weight: 25kg

EV0212

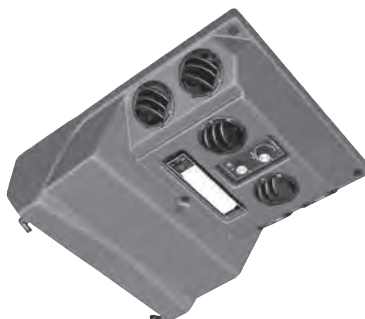
(12V)

EV0224

(24V)

R-2000 Headliner Air Conditioner is specially designed with a low profile and small footprint, to be mounted in any cab and orientated in whatever direction that best suits driver requirements.

R-2000 Headliner Evaporator



BTU's:
17,000
Air Flow:
235 CFM (400 m3/h)
Width: 457mm
Depth: 592mm
Height: 178mm
Weight: 11kg

EV9712

(12V)

EV9724

(24V)

The highest capacity unit in the headliner air conditioner line, the R-9715 offers big airflow at 577CFM. Red Dot has used its established engineering experience to produce the most attractive, quality product on the market. The R-9715 can be used in a variety of larger cab applications such as Shuttle buses, fire trucks and smaller school buses.

R-9715 Headliner Evaporator



BTU's:
39,500
Air Flow:
577 CFM (980 m3/h)
Width: 668mm
Depth: 539mm
Height: 221mm
Weight: 18kg

EV9750

(12V)

EV9751

(24V)

R-9750 off road ceiling mount air conditioner is a powerful product that requires a minimum amount of space. Suits mining, construction and agriculture.

R-9750 Headliner Evaporator



BTU's:
17,000
Air Flow:
240 CFM (408 m3/h)
Width: 626mm
Depth: 425mm
Height: 127mm
Weight: 20kg



EV9755

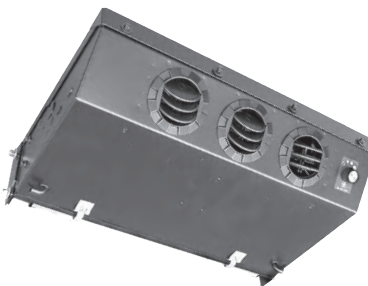
(12V)

EV9756

(24V)

The R-9755 compact headliner air conditioner was designed for hard to air condition cabs. Its compact, low profile, heavy duty construction makes this unit the best in its class for off road applications. With its capacity to filter recirculated air and adaptability to use an outside air adapter, dusty environments are not a problem.

R-9755 Headliner Evaporator



BTU's:
17,000
Air Flow:
240 CFM (408 m3/h)
Width: 559mm
Depth: 367mm
Height: 128mm
Weight: 14.5kg



EV6842

(12V)

EV6844

(24V)

Small enough to fit almost anywhere. This back wall air conditioner utilizes resin technology along with advanced coil and blower technology.

R-6840 Backwall Evaporator



BTU's:
22,300
Air Flow:
325 CFM (552 m3/h)
Width: 285mm
Depth: 215mm
Height: 530mm
Weight: 7.3kg



EV7832

(12V)

EV7834

(24V)

This high capacity unit easily mounts between the seats to back walls in most 6-8 seat conventional cabs. Featuring welded steel construction.

R-7830 Backwall Evaporator



BTU's:
17,180
Air Flow:
260 CFM (442 m3/h)
Width: 302mm
Depth: 211mm
Height: 493mm
Weight: 11kg



EV8512

(12V)

EV8524

(24V)

This versatile unit allows the air plenum to be changed to divert air out of the top or the front of the unit. In addition, the controls can be remote mounted.

R-8500 Backwall Evaporator



BTU's:
15,200
Air Flow:
205 CFM (348 m3/h)
Width: 285mm
Depth: 215mm
Height: 530mm
Weight: 11kg



EV8545

(12V)

EV8546

(24V)

Constructed of heavy gauge coated steel and engineered to filter in-cab air as well as incoming outside air when pressurisation is required. The R-8545's high performance, rugged construction and serviceability make it ideal for all off road applications where space is a minimum and dependability essential.

R-8545 Backwall Evaporator



BTU's:
18,000
Air Flow:
265 CFM (450 m3/h)
Width: 462mm
Depth: 172mm
Height: 518mm
Weight: 15kg



EV5040

(12V)

The R-5040 was designed with versatility in mind. The blower assemblies are accessible so that the installer has the ability to duct the air where its needed. In addition controls can be remote mounted so that they can be easily reached. With over 400CFM the R-5040 is ideal for larger cab applications.

R-5040 Backwall Evaporator & Heater



BTU's:
Heat - 48,000
Cool - 32,000
Air Flow:
425 CFM (722 m3/h)
Width: 645mm
Depth: 234mm
Height: 520mm
Weight: 18kg



EV5045

(12V)

EV5046

(24V)

The R-5045 series offers the highest capacity of any Red Dot heater and air conditioner package. This unit was originally designed for use in armoured cars. Its outstanding performance can be directed to both front and rear compartments through multi-directional louvres. The tremendous capacity of the R-5045 series makes them ideal for aid cars, delivery trucks or large box applications.

R-5045 Backwall Evaporator & Heater



BTU's:
Heat - 46,000
Cool - 33,000
Air Flow:
430 CFM (730 m3/h)
Width: 533mm
Depth: 234mm
Height: 681mm
Weight: 21kg

EV5047 (12V), EV5048 (24V) unit include fresh air intake



EV5075

(12V)

EV5076

(24V)

Off road unit with a heavy duty metal housing. This unit was designed for applications where high capacity is required. This unit offers fresh air intake and can be pressurised.

R-5075 Backwall Evaporator & Heater



BTU's:
Heat - 46,000
Cool - 33,000
Air Flow:
430 CFM (730 m3/h)
Width: 529mm
Depth: 220mm
Height: 697mm
Weight: 21kg



EV8547

(12V)

EV8548

(24V)

Constructed of heavy gauge coated steel and engineered to filter in-cab air as well as incoming outside air when pressurisation is required. The R-8545's high performance, rugged construction and serviceability make it ideal for all off road applications where space is a minimum and dependability essential.

R-8545 Backwall Evaporator & Heater



BTU's:
Heat - 28,600
Cool - 18,000
Air Flow:
265 CFM (450 m3/h)
Width: 462mm
Depth: 172mm
Height: 518mm
Weight: 18kg



EV9525

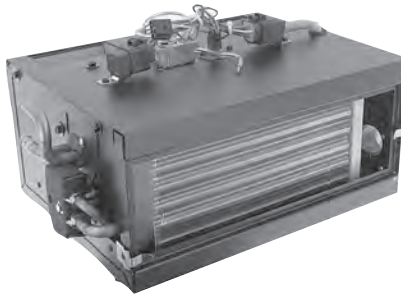
(12V)

EV9526

(24V)

Designed to be floor mounted behind the seat the R-9520 is low profile and provides significant airflow. The plenum options have been designed to offer maximum flexibility to duct or direct the air to where it is needed.

R-9520 Floor Evaporator & Heater



BTU's:
Heat - 31,600
Cool - 33,070
Air Flow:
430 CFM (730 m3/h)
Width: 453mm
Depth: 353mm
Height: 260mm
Weight: 19kg



EV9752

(12V)

EV9753

(24V)

The R-9750 off road ceiling mount air - conditioner with heater is the ultimate choice when looking for a powerful product in a minimum amount of space. Suits mining, construction and agriculture.

R-9750 Headliner Evaporator & Heater



BTU's:
Heat - 25,600
Cool - 17,000
Air Flow:
240 CFM (408 m3/h)
Width: 626mm
Depth: 425mm
Height: 127mm
Weight: 20kg



EV9757

(12V)

EV9758

(24V)

The R-9757 rooftop heater/ air-conditioner is designed with dependability in mind. This unit will suit the most rugged application. Whether it be mining, construction or agriculture.

R-9757 Rooftop Evaporator & Heater



BTU's:
Heat - 45,000
Cool - 25,000
Air Flow:
400 CFM (680 m3/h)
Width: 657mm
Depth: 857mm
Height: 300mm
Weight: 61kg



EV9779

(12V)

EV9780

(24V)

The R-9777 air-conditioner/heater is the first in our industry to employ engineered resin technology. The Euro styling and design sets this unit far beyond the competition in appearance, durability and performance.

R-9777 Rooftop Evaporator & Heater



BTU's:
Heat - 45,000
Cool - 25,000
Air Flow:
355 CFM (603 m3/h)
Width: 760mm
Depth: 940mm
Height: 200mm
Weight: 25kg



EV9800

(12V)

EV9801

(24V)

The R-9800 can be mounted in either vertical or horizontal positions and the control panel can be remote mounted for operator convenience. Rubber tie downs unlatch for easy servicing of all components. Suitable for construction, mining and agriculture.

R-9800 Rooftop Sidemount Evaporator & Heater



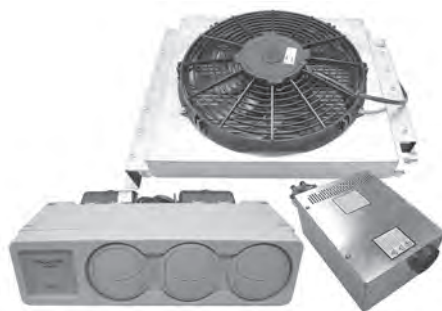
BTU's:
Heat - 45,000
Cool - 25,000
Air Flow:
355 CFM (603 m3/h)
Width: 551mm
Depth: 663mm
Height: 231mm
Weight: 32kg



EV1206
(12V)

R-1200 No Idle - Truck Sleeper Unit

Simple and efficient, the R-1200 is a battery powered A/C unit designed to maintain a comfortable cab sleeper temperature for up to 12 hours without engine idle. Designed with a low power mode to reduce compressor speed and extend operating time. Requires 4 dedicated Group 31 deep cycle batteries. Low voltage cutout protection is built in.



BTU's:
6,100
Air Flow:
265 CFM (450 m3/h)
AMPS:
37 Amps/Hr Min
75 Amps/Hr Max
Weight: 38kg



SW5812
(12V)
SW5814
(24V)

Automatic Temperature Controller

The Automatic Temperature Controller is the latest in Red Dot technology. The ATC can be used in any universal application offering sophisticated control technology.



Includes:
Touch Pad Controller
Infinite manual or Auto fan speed control
Electric water tap
Ambient & Evap coil temp sensors
Cab temp set point
On board diagnostics

178mm x 58mm



EV7275
Remote Filter
BackPack Mount

228mm x 464mm



EV5151
Remote Filter
Horizontal Mount

260mm x 457mm



EV9202
(12V)
EV9204
(24V)

To be used with remote mount filters, the booster forces dust free air into cabins via heater and A/C units.

In-Line Booster/Pressuriser



4" Inlet
3" Outlet
Air Flow:
With Filter - 140 CFM (238 m3/h)
Free Flow - 230 CFM (391 m3/h)
Weight: 3kg

EV1291: 3" > 4" Adaptor



EV1612
(12V)
EV1624
(24V)

Includes Pre Cleaner and Donaldson Filter

Pressuriser Assembly



Air Flow:
126 CFM (215 m3/h)

EV1613: Standard Pre Cleaner Assy
EV1614: Turbo Pre Cleaner Assy
EV1615: Filter Body
EV1620: Air Cleaner Element
EV1625: Flange & Duct Kit, 2.5"
EV1626: H/Duty Mount Bracket Kit

Universal/AMC/ Cooltemp

EV3284
Universal Plate & Fin

Length: 245mm
Height: 202mm
Thickness: 90mm

Inlet: #8 FOR
Outlet: #10 MIOR



EV3257
Universal Plate & Fin

Length: 235mm
Height: 218mm
Thickness: 81mm

Inlet: #8 FOR
Outlet: #10 MIOR



EV3289
Universal Plate & Fin

Length: 235mm
Height: 215mm
Thickness: 75mm

Inlet: #8 FOR
Outlet: #10 MIOR



EV3300
Universal Plate & Fin

Length: 235mm
Height: 235mm
Thickness: 75mm

Inlet: #8 FOR
Outlet: #10 MIOR



EV2560
AMC CM 2000

Length: 703mm
Height: 103mm
Thickness: 98mm

Inlet: #8 FOR
Outlet: #10 MIOR



EVC010
Cooltemp DU40-0-RHD

Length: 227mm
Height: 210mm
Thickness: 100mm

Inlet: #8 FOR
Outlet: #10 MIOR



EVC005
Cooltemp Large Box O'ring

Length: 226mm
Height: 240mm
Thickness: 100mm

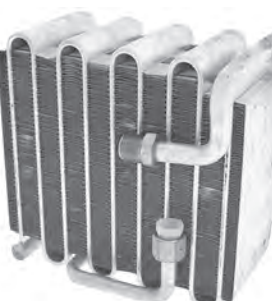
Inlet: #8 FOR
Outlet: #10 MIOR



EVC022
Cooltemp Medium Box O'ring

Length: 227mm
Height: 215mm
Thickness: 100mm

Inlet: #8 FOR
Outlet: #10 MIOR




EVC004
Cooltemp Small Box O'ring

Length: 205mm
Height: 200mm
Thickness: 100mm

Inlet: #8 FOR
Outlet: #10 MIOR



EVC008
Cooltemp




Length: 218mm
Height: 213mm
Thickness: 100mm

Inlet: #8 FOR
Outlet: #10 MIOR

**Acco/Alfa Romeo/
Audi**




EV5326
Acco C250



Length: 227mm
Height: 225mm
Thickness: 100mm

Inlet: #8 FOR
Outlet: #10 MIOR

EV3171
Alfa Romeo 156, 02-06




Length: 260mm
Height: 200mm
Thickness: 75mm

Inlet: Pad
Outlet: Pad

TX1049

CF4000C, CF4000P
(CF4001C sportswagon only)

EV3155
Audi 80, 10/92>



Length: 340mm
Height: 200mm
Thickness: 73mm

Inlet: Pad
Outlet: Pad

1/2" Acme R134a Ports

8A2820103AA
CF7000C, CF7000P

EV3154
Audi 80, 87-9/92
Audi 90, 87-9/92




Length: 340mm
Height: 200mm
Thickness: 73mm

Inlet: Pad
Outlet: Pad

1/4" SAE R12 Ports
Up to VIN 8C-P-090829
894820102B

EV3169
Audi A3 (8L1) 1.6Lt, 1.8Lt




Length: 212mm
Height: 226mm
Thickness: 75mm

Inlet: Pad
Outlet: Pad

1J2820024
CF7001P, CF7001C

EV3156
Audi A4, 95-98
A4 Quattro, 95-98




Length: 340mm
Height: 200mm
Thickness: 73mm

Inlet: Pad
Outlet: Pad

TX2619
8D2820103A
CF7000P, CF7000C


EV3181
Audi A8



Length: 320mm
Height: 210mm
Thickness: 88mm

Inlet: Pad
Outlet: Pad

EV3169
Audi TT Roadster (8N9) 1.8Lt turbo, 3.2Lt V6, 99-06
Audi TT (8N3) 1.8Lt turbo, 02-06



Length: 212mm
Height: 226mm
Thickness: 75mm

Inlet: Pad
Outlet: Pad

1J2820024
CF7001P, CF7001C



EV3057
BMW 3 Series E46, 9/00>

Length: 260mm
Height: 200mm
Thickness: 70mm

Inlet: Pad
Outlet: Pad

64119135744
CF3003P, CF3003C



EV3048
BMW 3 Series E36 316i Compact, 95>

Length: 330mm
Height: 150mm
Thickness: 68mm

Inlet: Pad
Outlet: Pad

Aluminium tubes
TX9422
64118361918
CF3000P



EV3060
BMW 3 Series E36 316i Compact, 95>

Length: 330mm
Height: 150mm
Thickness: 68mm

Inlet: Pad
Outlet: Pad

Copper tubes

CF3000P



EV3033
BMW 3 Series E36, 91>

Length: 327mm
Height: 191mm
Thickness: 60mm

Inlet: Pad
Outlet: Pad

(Not 316i)
TX9422, TX5003
64118393356, 64118393213
CF3000P



EV3035
BMW 3 Series E30, 3/80-3/91

Length: 318mm
Height: 156mm
Thickness: 101mm

Inlet: #8 MOR
Outlet: #10 MOR

TX5006



EV3049
BMW 5 series E39, 95-00

Length: 335mm
Height: 210mm
Thickness: 75mm

Inlet: Pad
Outlet: Pad

64118363782
CF3004P, CF3004C



EV3031
BMW 5 Series E34, 89-92
BMW 7 Series E32, 94>
BMW 8 Series E32, 96>

Length: 348mm
Height: 203mm
Thickness: 60mm

Inlet: Pad
Outlet: Pad

TX9422

CF3001P



EV3385
BMW 5 Series E39, 4/96-4/04

Length: 290mm
Height: 200mm
Thickness: 65mm

Inlet: Pad
Outlet: Pad

TX5002
64118385609



EV3058
BMW 7 Series E38, 11/94-1/02

Length: 390mm
Height: 200mm
Thickness: 70mm

Inlet: Pad
Outlet: Pad



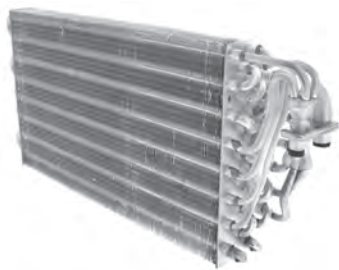
EV3041
BMW 7 Series E38, 95>

Length: 373mm
Height: 206mm
Thickness: 75mm

Inlet: Pad
Outlet: Pad

TX9422

CF3002C



EV3057
BMW X3 E83, 10/03>

Length: 260mm
Height: 200mm
Thickness: 70mm

Inlet: Pad
Outlet: Pad

64119135744
CF3003P, CF3003C



EV3059
BMW Z3 Roadster E36, 10/95-6/03

Length: 276mm
Height: 156mm
Thickness: 67mm

Inlet: Pad
Outlet: Pad

64518398840, 8398840



Picture unavailable at time of printing
refer www.cooldrive.com.au

Caterpillar/Chrysler/
Daewoo/Daihatsu

EV3470
Caterpillar

Length: 300mm
Height: 290mm
Thickness: 38mm

Inlet: Pad
Outlet: Pad

245-7836



EV5820
Caterpillar Skid Steer

Length: 445mm
Height: 155mm
Thickness: 50mm

Inlet: #8 MOR
Outlet: #10 MOR

76R5820



EV3172
Chrysler Neon, 7/96>
Chrysler PT Cruiser, 7/00>

Length: 250mm
Height: 250mm
Thickness: 80mm

Inlet: Pad
Outlet: Pad

TX9414



EV3056
Chrysler Voyager, 2/97-3/08

Length: 330mm
Height: 245mm
Thickness: 90mm

Inlet: Pad
Outlet: Pad

TX9011
04883587AB
CF9100C



EV3308
Daewoo Cielo, 1.5Lt, 10/95-4/98
Daewoo Espero, 2.0Lt, 3/95-7/97
Daewoo Racar, 1.5Lt, 95>

Length: 340mm
Height: 175mm
Thickness: 73mm

Inlet: M20 x 1.5 MIOR
Outlet: M27 x 2.0 MIOR

R134a Fitting Profile
TX2611



EV3511
Daihatsu Applause, 10/93-5/00

Length: 210mm
Height: 245mm
Thickness: 90mm

Inlet: Pad
Outlet: Pad

R134a Fitting Profile
TX0030
RD8030



EV3410

Daihatsu Applause A101, 10/89-9/93

Length: 210mm
Height: 245mm
Thickness: 90mm

Inlet: Pad
Outlet: Pad

R12 Fitting Profile
TX1730
RD4050



EV3546

Daihatsu Charade L251S, 7/03-12/05

Length: 197mm
Height: 243mm
Thickness: 50mm

Inlet: Pad
Outlet: Pad

TX1600
RD4050



EV3252

Daihatsu Charade G200, G202, G203, 2/93>

Length: 210mm
Height: 245mm
Thickness: 90mm

Inlet: Pad
Outlet: Pad

TX0030
RD7001



EV3418

Daihatsu Charade G100, G102, 3/87-93

Length: 210mm
Height: 235mm
Thickness: 85mm

Inlet: #8 FOR
Outlet: #10 MIOR

R12 Fitting Profile
TX0710
RD6310



EV3535

Daihatsu Copen L880, 10/03-12/05
Daihatsu Cuore, 7/00-9/03
Daihatsu Handivan L701, 3/99>

Length: 195mm
Height: 250mm
Thickness: 50mm

Inlet: M22 x 1.5 FOR
Outlet: M24 x 1.5 MIOR

TX0370
RD4040



EV3524

Daihatsu Delta, 8/94>

Length: 255mm
Height: 210mm
Thickness: 110mm

Inlet: M22 x 1.5 FOR
Outlet: M24 x 1.5 MIOR

Captive O'ring Fittings

RD8030



EV3510

Daihatsu Feroza F300, 11/93>

Length: 210mm
Height: 255mm
Thickness: 90mm

Inlet: Pad
Outlet: Pad

TX0030
RD7027



EV3415

Daihatsu Feroza F300, 10/88>

Length: 210mm
Height: 255mm
Thickness: 90mm

Inlet: Pad
Outlet: Pad

TX9070
RD7003



EV3547

Daihatsu Handivan

Length: 205mm
Height: 245mm
Thickness: 50mm

Inlet: FSL
Outlet: M24 x 1.5 MIOR

Includes TXV



EV3252

Daihatsu Pyzar G301, G303, 2/97-7/00

Length: 210mm
Height: 245mm
Thickness: 90mm

Inlet: Pad
Outlet: Pad

TX0030
RD7001



EV3419
Daihatsu Rocky, 10/86>

Length: 235mm
Height: 210mm
Thickness: 85mm

Inlet: #8 FOR
Outlet: #10 MIOR
R12 Fitting Profile



EV3534
Daihatsu Sirion, 7/98-12/05

Length: 195mm
Height: 250mm
Thickness: 60mm

Inlet: M22 x 1.5 FOR
Outlet: M24 x 1.5 MIOR

TX0370
RD4040



EV3536
Daihatsu Terios, 10/00-12/05

Length: 200mm
Height: 245mm
Thickness: 50mm

Inlet: M22 x 1.5 FOR
Outlet: M24 x 1.5 MIOR

TX0530
RD4040

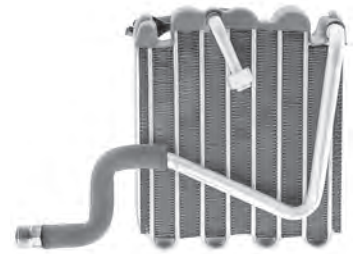


EV3253
Daihatsu Terios J100, J102, 7/97-10/00

Length: 250mm
Height: 210mm
Thickness: 85mm

Inlet: M22 x 1.5 FOR
Outlet: M24 x 1.5 MIOR

TX0530
RD8070

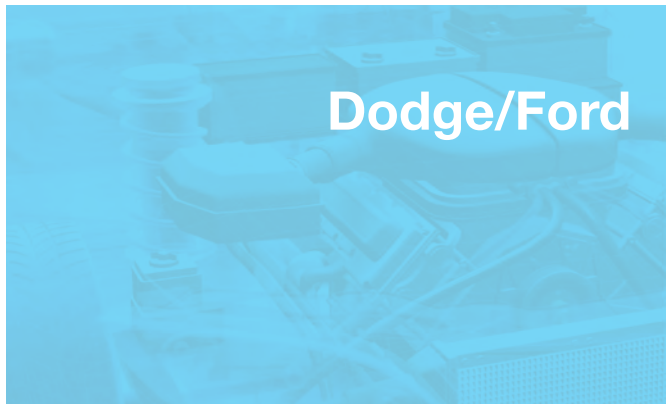


EV3548
Daihatsu YRV, 7/01-1/05

Length: 200mm
Height: 245mm
Thickness: 57mm

Inlet: FSL
Outlet: M24 x 1.5 MIOR

Includes TXV



EV6595
Dodge Ram 1500, 2500, 3500, 02-06

Length: 225mm
Height: 241mm
Thickness: 75mm

Inlet: FSL
Outlet: FSL

5073970AA



EV3432
Ford Capri

Length: 235mm
Height: 210mm
Thickness: 105mm

Inlet: #8 FOR
Outlet: #10 MIOR

R12 Fitting Profile



EV3396
Ford Capri SA86

Length: 240mm
Height: 215mm
Thickness: 100mm

Inlet: #8 FOR
Outlet: #10 MIOR



EV3109
Ford Corsair UA, 89-92

Length: 232mm
Height: 233mm
Thickness: 100mm

Inlet: #8 FOR
Outlet: #10 MIOR

TX6730



EV9952
Ford Courier PE, 00>

Length: 207mm
Height: 235mm
Thickness: 81mm

Inlet: M20 x 1.5 FOR
Outlet: M22 x 1.5 MIOR

TX6730



EV3257
Ford Courier, 91-93

Length: 235mm
Height: 218mm
Thickness: 81mm

Inlet: #8 FOR
Outlet: #10 MIOR



EV2474
Ford Econovan, 89-93

Length: 194mm
Height: 214mm
Thickness: 100mm

Inlet: #8 FOR
Outlet: #8 MIOR

TX8731
RD6109

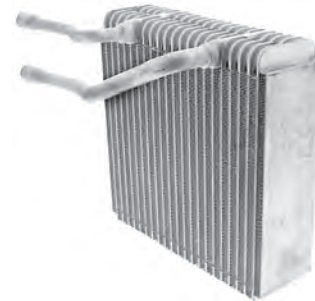


EV3528
Ford Escape, 2/01-06

Length: 232mm
Height: 235mm
Thickness: 68mm

Inlet: FSL
Outlet: FSL

RD7096
E11261J10



EV3199
Ford Falcon FG, 5/08>

Length:
Height:
Thickness:

Inlet:
Outlet:

TX0890
RD4030, RD4050
BG19D710A

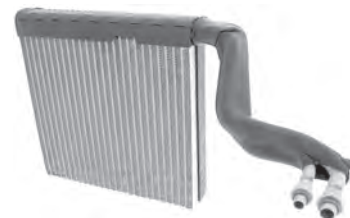


EV3184
Ford Falcon BA, BF, FG, 9/02>

Length: 265mm
Height: 275mm
Thickness: 58mm

Inlet: Pad
Outlet: Pad

TX2619
RD2823
BA19D710A
CF0003P



EV3302
Ford Falcon AU, 9/98>

Length: 245mm
Height: 270mm
Thickness: 100mm

Inlet: Pad
Outlet: Pad

TX2621
RD2819
ER19D710A



EV3131
Ford Falcon EB2, EF, EL, 2/92>

Length: 252mm
Height: 270mm
Thickness: 100mm

Inlet: Pad
Outlet: Pad

TX9432 (OR3327)
TX9431
RD2807



EV1042M
Ford Falcon XF to EB, >2/92

Length: 252mm
Height: 270mm
Thickness: 100mm

Inlet: Pad
Outlet: Pad

TX9815
TX9821, TX9819
RD4016, RD2222



EV3142
Ford Festiva WB, WF, >9/94


Length: 212mm
Height: 240mm
Thickness: 92mm

Inlet: M20 x 1.5 MIOR
Outlet: M22 x 1.5 MIOR

TX1032



EV2474
Ford Festiva, 1.3Lt, 91-93




Length: 194mm
Height: 214mm
Thickness: 100mm

Inlet: #8 FOR
Outlet: #8 MIOR

TX8731


EV3257
Ford Festiva, 91



Length: 235mm
Height: 218mm
Thickness: 81mm

Inlet: #8 FOR
Outlet: #10 MIOR

EV3338
Ford Fiesta WP, 4/04-1/06




Length: 231mm
Height: 223mm
Thickness: 58mm

Inlet: FSL
Outlet: FSL

RD7070
2S6H19850AA

EV9954
Ford Focus LR, 9/02-4/05




Length: 212mm
Height: 235mm
Thickness: 75mm

Inlet: FSL
Outlet: FSL

RD7070

EV3329
Ford Laser KN, KQ, 3/99-8/02



Length: 215mm
Height: 237mm
Thickness: 65mm

Inlet: M20 x 1.5 FOR
Outlet: FSL

TX1032
RD7017

EV3331
Ford Laser KN, KQ, 3/99-8/02




Length: 213mm
Height: 235mm
Thickness: 65mm

Inlet: Pad
Outlet: Pad

TX1032
RD7017

EV3147
Ford Laser KJ, 10/94-3/99




Length: 226mm
Height: 240mm
Thickness: 92mm

Inlet: Pad
Outlet: Pad

TX1032
RD7048, RD7017
RD7009

EV3290
Ford Laser KH, 93>




Length: 213mm
Height: 240mm
Thickness: 92mm

Inlet: M20 x 1.5 FOR
Outlet: M22 x 1.5 MIOR

R134a Fitting Profile
TX1025
RD7015

EV3190
Ford Laser KF, KH




Length: 214mm
Height: 235mm
Thickness: 90mm

Inlet: #8 FOR
Outlet: #10 MIOR

R12 Fitting Profile
TX1024
RD7010

EV3432
Ford Laser KC, KE, 85-87



Length: 235mm
Height: 210mm
Thickness: 105mm

Inlet: #8 FOR
Outlet: #10 MIOR

TX0600
RD6310

EV3263
Ford Laser KA, KB, 83-85

Length: 216mm
Height: 210mm
Thickness: 100mm

Inlet: #8 FOR
Outlet: #10 MIOR

TX0450
RD6310

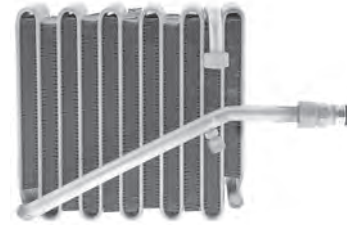


EV3152
Ford Maverick, 8/87-10/94

Length: 238mm
Height: 225mm
Thickness: 100mm

Inlet: #8 FOR
Outlet: M22 x 1.5 MIOR

TX1025
RD9300



EV0035
Ford Mondeo HD, HE, 4 cyl, V6, 9/99>

Length: 225mm
Height: 240mm
Thickness: 90mm

Inlet: FSL
Outlet: FSL

TX2616
RD9584
XF7H19850AA



EV0034
Ford Mondeo HA, HB, HC, HD, 4 cyl, V6, 95-9/99

Length: 217mm
Height: 235mm
Thickness: 90mm

Inlet: FSL
Outlet: FSL

TX2616
RD3010, RD3020
RD3040
93BW19850AD



EV3257
Ford Raider, 91-93

Length: 235mm
Height: 218mm
Thickness: 81mm

Inlet: #8 FOR
Outlet: #10 MIOR



EV3361
Ford Ranger, 09>

Length: 235mm
Height: 204mm
Thickness: 60mm

Inlet: Pad
Outlet: Pad

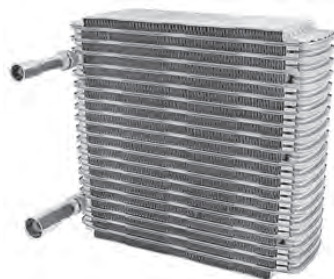
F151RK6LA01



EV9950
Ford Taurus, 96>

Length: 268mm
Height: 243mm
Thickness: 92mm

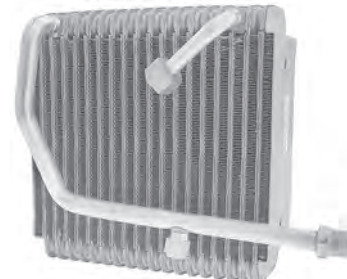
Inlet: FSL
Outlet: FSL



EV3295
Ford Telstar AX

Length: 225mm
Height: 240mm
Thickness: 92mm

Inlet: M20 x 1.5 FOR
Outlet: M22 x 1.5 MIOR



EV3130
Ford Telstar AT

Length: 210mm
Height: 235mm
Thickness: 90mm

Inlet: M20 x 1.5 FOR
Outlet: M22 x 1.5 MIOR

TX1028
RD5015, RD7015
503702-1660



EV3120
Ford Telstar AR

Length: 215mm
Height: 210mm
Thickness: 105mm

Inlet: #8 FOR
Outlet: #10 MIOR

TX1003
RD6310



EV3199
Ford Territory, 08>

Length:
Height:
Thickness:

Inlet:
Outlet:

BG19D710A

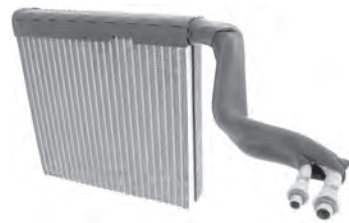


EV3184
Ford Territory SX, SY, 5/04-4/11

Length: 265mm
Height: 275mm
Thickness: 58mm

Inlet: Pad
Outlet: Pad

TX2619
RD2823
BA19D710A
CF0003P



EV2474
Ford Trader

Length: 194mm
Height: 214mm
Thickness: 100mm

Inlet: #8 FOR
Outlet: #8 MIOR

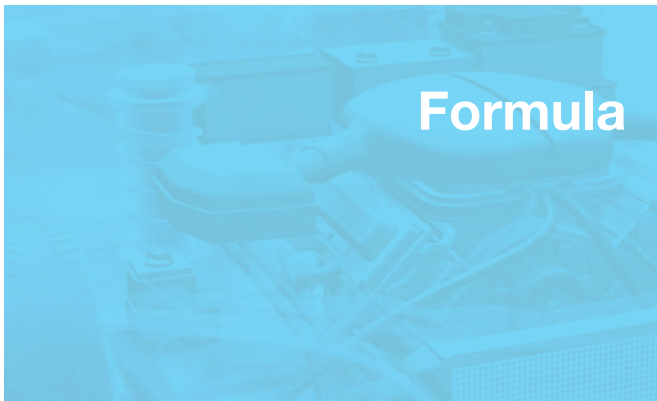
TX8731



EV3257
Ford Trader

Length: 235mm
Height: 218mm
Thickness: 81mm

Inlet: #8 FOR
Outlet: #10 MIOR



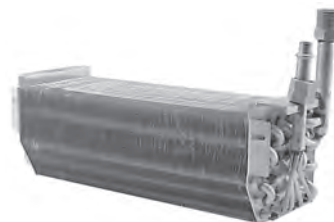
Formula

EV3202
Formula II

Length: 295mm
Height: 125mm
Thickness: 115mm

Inlet: #8 FOR
Outlet: #10 MIOR

EV2215 & EV2218
TX1009



EV2231
Formula III Heat & Cool

Length: 310mm
Height: 125mm
Thickness: 115mm

Inlet: #8 FOR
Outlet: #10 MIOR

EV2240 & EV2242



EV3203
Formula 747

Length: 335mm
Height: 120mm
Thickness: 70mm

Inlet: #8 FOR
Outlet: #10 MIOR

EV2219, EV2220 & EV2221
TX1009



EV3208
Formula Concord Plus

Length: 445mm
Height: 76mm
Thickness: 68mm

Inlet: #8 FOR
Outlet: #10 MIOR

EV2228 & EV2232



EV2211
Formula King

Length: 363mm
Height: 120mm
Thickness: 105mm

Inlet: #8 FOR
Outlet: #10 MIOR

EV2206 & EV2207
EV2208 & EV2209
TX1009



EV2229
Formula King Heat & Cool

Length: 360mm
Height: 125mm
Thickness: 105mm

Inlet: #8 FOR
Outlet: #10 MIOR

EV2230, EV2241 & EV2243



EV3205
Formula Micro Bus Series I & II

Length: 720mm
Height: 120mm
Thickness: 105mm

Inlet: #8 FOR
Outlet: #10 MIOR

EV3007 & EV3009
EV2235 & EV2236
TX1009



EV3029
Formula Mini Bus Series I & II

Length: 605mm
Height: 115mm
Thickness: 70mm

Inlet: #8 FOR
Outlet: #10 MIOR

All except EV3025 & EV3027
TX1009



Hino/Hitachi

EV3319
Hino Dutro

Length: 225mm
Height: 240mm
Thickness: 60mm

Inlet: Pad
Outlet: Pad

TX9080, TX1035
RD8070



EV3507
Hino FC3W, 94>

Length: 240mm
Height: 210mm
Thickness: 105mm

Inlet: M22 x 1.5 FOR
Outlet: M24 x 1.5 MIOR

Captive O'ring Fittings
TX0400, TX9091



EV3504
Hino FD, FT, FF, FS, FM, GT, FC, GD, 96>

Length: 210mm
Height: 245mm
Thickness: 90mm

Inlet: Pad
Outlet: Pad

R134a Fitting Profile
TX0030



EV3407
Hino FD, GD, 91-92

Length: 265mm
Height: 210mm
Thickness: 105mm

Inlet: #8 FOR
Outlet: #10 MIOR

R12 Fitting Profile
TX0510



EV3559
Hino FD1J, FC1J, FG

Length: 198mm
Height: 305mm
Thickness: 50mm

Inlet: Pad
Outlet: Pad



EV3502
Hino FE, FF, FD3H, FM3M, FT3W, GT3H,
Super Eagle, 93-96


Length: 270mm
Height: 210mm
Thickness: 105mm

Inlet: M22 x 1.5 FOR
Outlet: M24 x 1.5 MIOR

Captive O'ring Fittings
TX0370, TX4390



EV3417
Hino SS330, 90>




Length: 240mm
Height: 210mm
Thickness: 105mm

Inlet: #8 FOR
Outlet: #10 MIOR

TX0510

EV3782
Hitachi Zaxis 200 Excavator




Length: 234mm
Height: 225mm
Thickness: 60mm

Inlet: Pad
Outlet: Pad

4464353

Holden

EV3519
Holden Apollo JM, JP, 3/93-5/97




Length: 250mm
Height: 295mm
Thickness: 90mm

Inlet: Pad
Outlet: Pad

TX0030
RD7001

EV3112
Holden Apollo JK, JL, 8/89-3/93

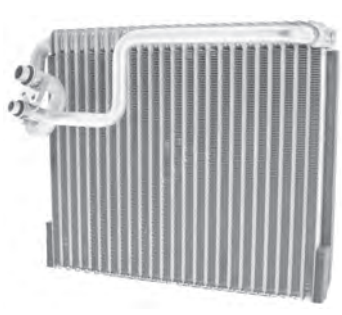


Length: 239mm
Height: 237mm
Thickness: 105mm

Inlet: #8 FOR
Outlet: #10 MIOR

TX1005, TX0710
RD7005

EV3219
Holden Astra TS, 2/02>




Length: 257mm
Height: 230mm
Thickness: 65mm

Inlet: Pad
Outlet: Pad

TX9401
RD4050, RD4055
CF1005P

EV3217
Holden Astra TS, 6/99>




Length: 282mm
Height: 237mm
Thickness: 73mm

Inlet: Pad
Outlet: Pad

From VIN X5220704
TX9401
RD6319
CF1001P

EV3212
Holden Astra TR, 95-98




Length: 286mm
Height: 200mm
Thickness: 65mm

Inlet: Pad
Outlet: Pad

TX9401
RD6317

EV3330
Holden Barina XC, 2/01-12/05
Holden Combo XC, 9/02>

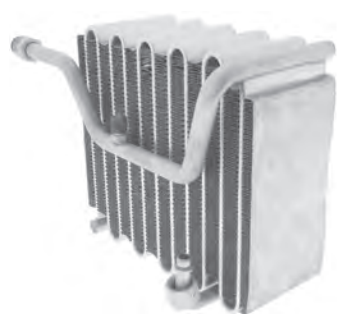


Length: 242mm
Height: 203mm
Thickness: 62mm

Inlet: Pad
Outlet: Pad

TX9401
RD7059, RD7093
90535096

EVF040
Holden Barina SB, 4/94-2/01



Length: 235mm
Height: 220mm
Thickness: 100mm

Inlet: #8 FOR
Outlet: #10 MIOR

TX9401, TX7733
RD7049, RD9775

EV3416

Holden Barina MF, MH, 1/89-3/94

Length: 210mm
Height: 245mm
Thickness: 90mm

Inlet: #8 FOR
Outlet: #10 MIOR

TX1003, TX0320
 RD7006



EV3421

Holden Barina ML, 9/86-12/88

Length: 235mm
Height: 210mm
Thickness: 85mm

Inlet: #8 FOR
Outlet: #10 MIOR

TX0640



EV3389

Holden Captiva CG, 10/06>

Length: 261mm
Height: 250mm
Thickness: 58mm

Inlet: Pad
Outlet: Pad


 Picture unavailable at time of printing
 refer www.cooldrive.com.au

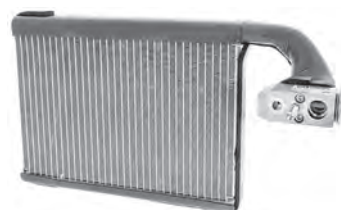
EV3464

Holden Commodore VE, 8/06>

Length: 310mm
Height: 235mm
Thickness: 38mm

Inlet: Pad
Outlet: Pad

TX2719 (OR2035)
 RD6337J



EV3327

Holden Commodore VY II, VZ, 8/03-8/07

Length: 265mm
Height: 235mm
Thickness: 70mm

Inlet: Pad
Outlet: Pad

has rounded pad edge
 TX9457 (OR1324)
 RD6129
 92146631



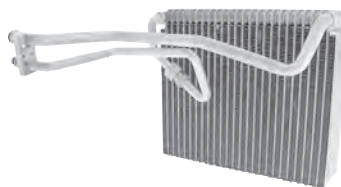
EV3293

Holden Commodore VT, VX, VY, VU Ute,
 9/97-7/03
 Holden Monaro V2C, CV6, CV8, 12/01>

Length: 270mm
Height: 240mm
Thickness: 70mm

Inlet: Pad
Outlet: Pad

TX9457 (OR1324)
 RD6118
 92140603



EV3272

Holden Commodore VR, VS, 7/93-8/97

Length: 330mm
Height: 170mm
Thickness: 85mm

Inlet: Pad
Outlet: Pad

TX9422
 RD6108, RD6109



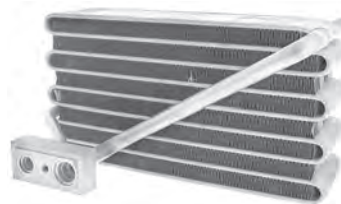
EV2514

Holden Commodore VN, VP, 8/88-6/93
 Holden Commodore VG, VP Ute, 8/90-7/93

Length: 332mm
Height: 173mm
Thickness: 85mm

Inlet: Pad
Outlet: Pad

TX2616
 RD6023
 VS18008



EV3107

Holden Commodore VL, 5/86-8/88

Length: 228mm
Height: 185mm
Thickness: 100mm

Inlet: #8 FOR
Outlet: #10 MIOR

TX6730
 RD6255, RD6159
 92033953



EV3289

Holden Jackaroo UBS92, 4/92-1/98

Length: 235mm
Height: 215mm
Thickness: 75mm

Inlet: #8 FOR
Outlet: #10 MIOR



EV2474

Holden Jackaroo UBS87, 3/87-92

Length: 194mm
Height: 214mm
Thickness: 100mm

Inlet: #8 FOR
Outlet: #8 MIOR

RD6109



EV3259

Holden Nova LG, 9/94-4/97

Length: 235mm
Height: 255mm
Thickness: 90mm

Inlet: Pad
Outlet: Pad

TX0030
RD8060, RD7028



EV3122D

Holden Nova LE, LF, 7/89-8/94

Length: 240mm
Height: 237mm
Thickness: 105mm

Inlet: #8 FOR
Outlet: #10 MIOR

TX1003, TX0320
RD7003, RD7005
88501-12330



EV2029

Holden Rodeo RA07

Length: 230mm
Height: 240mm
Thickness: 60mm

Inlet: Pad
Outlet: Pad

Includes TXV

95710102



EV2028

Holden Rodeo RA03, 3/03>

Length: 228mm
Height: 235mm
Thickness: 75mm

Inlet: Pad
Outlet: Pad

TX1136
RD7079
92148044, 92149037



EV3289

Holden Rodeo TF93, TF97, TF99, 9/93>

Length: 235mm
Height: 215mm
Thickness: 75mm

Inlet: #8 FOR
Outlet: #10 MIOR

RD6109



EV3222

Holden Rodeo TF, V6 Petrol, 2.8Lt Diesel, 92-03

Length: 235mm
Height: 220mm
Thickness: 75mm

Inlet: #8 FOR
Outlet: #10 MIOR

RD6109
06-17374



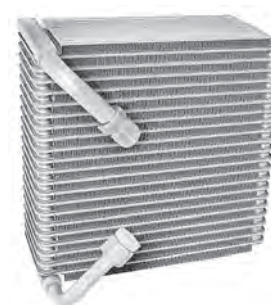
EV3257

Holden Rodeo TF88, TF93, 2/88-8/93

Length: 235mm
Height: 218mm
Thickness: 81mm

Inlet: #8 FOR
Outlet: #10 MIOR

TX1534a
RD6109



EV2474

Holden Rodeo KB, 3/87>

Length: 194mm
Height: 214mm
Thickness: 100mm

Inlet: #8 FOR
Outlet: #8 MIOR

TX6730



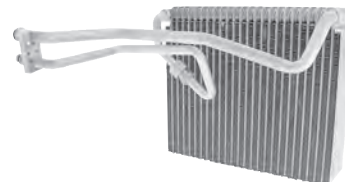
EV3293

Holden Statesman WH, 6/99-4/03

Length: 270mm
Height: 240mm
Thickness: 70mm

Inlet: Pad
Outlet: Pad

TX9457 (OR1324)
RD6118
92140603

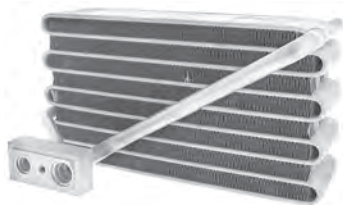


EV2514
Holden Statesman VQ, 3/90-2/94

Length: 332mm
Height: 173mm
Thickness: 85mm

Inlet: Pad
Outlet: Pad

TX2616
RD6023
VS18008



EV3330
Holden Tigra XC, 10/05-9/07

Length: 242mm
Height: 203mm
Thickness: 62mm

Inlet: Pad
Outlet: Pad

TX9401
RD7059, RD7093
90535096



EV3196
Holden Vectra ZC, 3/03-12/06

Length: 280mm
Height: 245mm
Thickness: 70mm

Inlet: Pad
Outlet: Pad

RD7097
93172074



EV3369
Holden Viva JF, 9/05-5/09

Length: 221mm
Height: 250mm
Thickness: 58mm

Inlet: Pad
Outlet: Pad

From VIN 6K443428



Picture unavailable at time of printing
refer www.cooldrive.com.au

EV3371
Holden Viva JF, 9/05-5/09

Length: 217mm
Height: 240mm
Thickness: 47mm

Inlet: Pad
Outlet: Pad

Up to VIN 6K443427



Picture unavailable at time of printing
refer www.cooldrive.com.au

EV3219
Holden Zafira TT, 6/01-5/06

Length: 257mm
Height: 230mm
Thickness: 65mm

Inlet: Pad
Outlet: Pad

TX9401
RD4050, RD4055
RD6319
CF1005P



EV3332
Honda Accord, 97-03

Length: 290mm
Height: 236mm
Thickness: 75mm

Inlet: M22 x 1.5 FOR
Outlet: M24 x 1.5 MIOR

Captive O'ring Fittings
RD7168, RD7001
802010S86K011M1



EV2900
Honda Accord CB, 2/92>

Length: 305mm
Height: 228mm
Thickness: 105mm

Inlet: #8 FOR
Outlet: #10 MIOR

RD7001

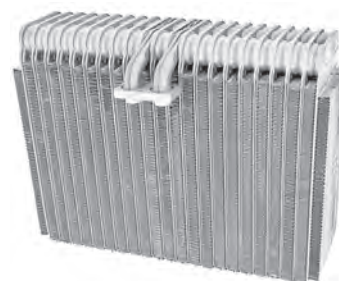


EV3243
Honda Accord, 90-92

Length: 300mm
Height: 235mm
Thickness: 90mm

Inlet: Pad
Outlet: Pad

RD7003, RD7005



EV3348
 Honda Civic, 02-06
 Honda Civic Hybrid, 04-05
 Honda CRV, 02-06

Length:
Height:
Thickness:

Inlet:
Outlet:

TX1600
 RD4050
 80215-S5A-901



Picture unavailable at time of printing
 refer www.cooldrive.com.au

EV3283
 Honda Civic, 4/96>

Length: 235mm
Height: 225mm
Thickness: 75mm

Inlet: Pad
Outlet: Pad

TX0480
 RD7168
 80210-ST7-0131



EV3277
 Honda Civic, 92-10/93

Length: 224mm
Height: 235mm
Thickness: 75mm

Inlet: Pad
Outlet: Pad

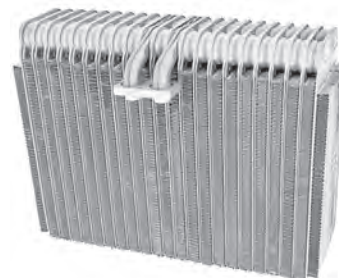
R12 Fitting Profile
 RD7016
 80215-SR3-0134



EV3243
 Honda Civic, 90-93

Length: 300mm
Height: 235mm
Thickness: 90mm

Inlet: Pad
Outlet: Pad



EV3283
 Honda CRV, 4/96>
 Honda Integra, 6/93>

Length: 235mm
Height: 225mm
Thickness: 75mm

Inlet: Pad
Outlet: Pad

TX0480
 RD7022
 80210-ST7-0131

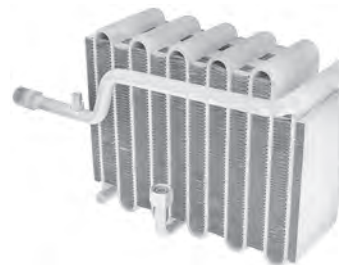


EV3328
 Honda Integra, 90>

Length: 277mm
Height: 225mm
Thickness: 100mm

Inlet: #8 FOR
Outlet: #10 MIOR

RD7016
 80210-SK7-0030



EV3346
 Honda Jazz, 10/02-2/06

Length: 255mm
Height: 209mm
Thickness: 50mm

Inlet: Pad
Outlet: Pad

TX1950
 RD4050



EV3305
 Honda Legend, 97>

Length: 315mm
Height: 235mm
Thickness: 105mm

Inlet: Pad
Outlet: Pad

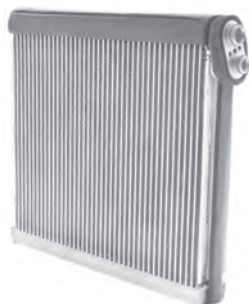


EV3022
 Honda Odyssey, 06>

Length: 277mm
Height: 265mm
Thickness: 38mm

Inlet: Pad
Outlet: Pad

RD4050



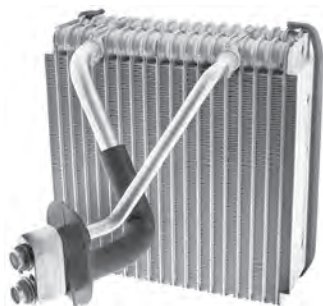
DIRECT REPLACEMENT EVAPORATOR COILS

EV3191
Hyundai Accent, 00-05

Length: 305mm
Height: 305mm
Thickness: 80mm

Inlet: Pad
Outlet: Pad

TX1044
RD4050



EV3140
Hyundai Excel X3, 95>

Length: 235mm
Height: 220mm
Thickness: 90mm

Inlet: Pad
Outlet: Pad

Includes TXV & lead pipes



EV3139
Hyundai Excel X2 & X3, >11/94

Length: 216mm
Height: 235mm
Thickness: 92mm

Inlet: Pad
Outlet: Pad

TX6068
RD7029



EV3137
Hyundai FX Coupe, 97-98
Hyundai Lantra, 95-97

Length: 230mm
Height: 235mm
Thickness: 80mm

Inlet: Pad
Outlet: Pad

TX1021
RD7186



EV3192
Hyundai Getz, 05>

Length: 237mm
Height: 235mm
Thickness: 60mm

Inlet: Pad
Outlet: Pad

TX1044



EV3125
Hyundai i30, 10/07>

Length: 270mm
Height: 250mm
Thickness: 45mm

Inlet: Pad
Outlet: Pad

97140-1H500



EV3177
Hyundai i45, 5/10>

Length:
Height:
Thickness:

Inlet:
Outlet:

97140-3S900


Picture unavailable at time of printing
refer www.cooldrive.com.au

EV3139
Hyundai Lantra & Lantra Coupe, 90-95
Hyundai S Coupe, 93-94

Length: 216mm
Height: 235mm
Thickness: 92mm

Inlet: Pad
Outlet: Pad

TX1020
RD6109, RD6026



EV3195
Hyundai Sonata NF, 6/05>

Length: 278mm
Height: 235mm
Thickness: 60mm

Inlet: Pad
Outlet: Pad

97140-3K700



EV3168
Hyundai Sonata, 5/98-01

Length: 217mm
Height: 235mm
Thickness: 90mm

Inlet: Pad
Outlet: Pad

RD7189
97607-38950

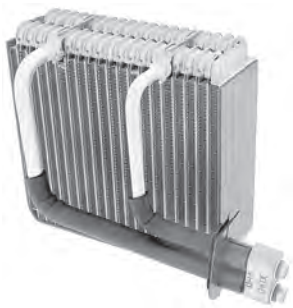


EV3167
Hyundai Sonata EF
Hyundai Trajet

Length: 250mm
Height: 235mm
Thickness: 80mm

Inlet: Pad
Outlet: Pad


97607-38950




EV3350
Isuzu F Series

Length: 235mm
Height: 257mm
Thickness: 65mm

Inlet: #8 FOR
Outlet: #10 MIOR




EV2474
Isuzu FSR, FTR, FVR, FVZ, FVM

Length: 194mm
Height: 214mm
Thickness: 100mm

Inlet: #8 FOR
Outlet: #8 MIOR

TX8731




EV3137
Isuzu FVD950, FSR700A, Long Bed

Length: 230mm
Height: 235mm
Thickness: 80mm

Inlet: Pad
Outlet: Pad


TX1021



EV3349
Isuzu N Series

Length: 236mm
Height: 207mm
Thickness: 65mm

Inlet: #8 FOR
Outlet: #10 MIOR




EV3316
Isuzu NKR, NPS, 4.3Lt, 96>

Length: 235mm
Height: 214mm
Thickness: 74mm

Inlet: M20 x 1.5 FOR
Outlet: M22 x 1.5 MIOR

TX1032
503702-1131




EV3257
Isuzu Various

Length: 235mm
Height: 218mm
Thickness: 81mm

Inlet: #8 FOR
Outlet: #10 MIOR


TX8731




EV5326
Iveco 2350G

Length: 227mm
Height: 225mm
Thickness: 100mm

Inlet: #8 FOR
Outlet: #10 MIOR

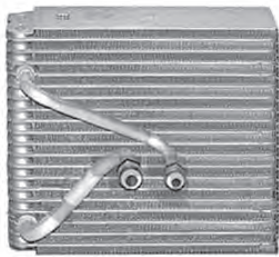


EV3193
Jaguar S Type, 00-08

Length: 270mm
Height: 240mm
Thickness: 90mm

Inlet Pad
Outlet Pad

RD7082
XR855744

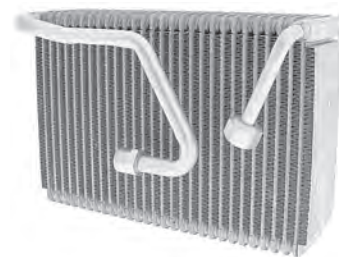


EV3176
Jaguar X300

Length: 315mm
Height: 215mm
Thickness: 75mm

Inlet: M22 x 1.5 FOR
Outlet: M24 x 1.5 MIOR

Captive O'ring Fittings
RD9201



EV3159
Jaguar XJ40

Length: 205mm
Height: 145mm
Thickness: 100mm

Inlet: Pad
Outlet: Pad

TX9815
RD9201, RD9050



EV3051
Jeep Cherokee Sport, 97-00
Jeep Wrangler, 96-02

Length: 245mm
Height: 250mm
Thickness: 80mm

Inlet: FSL
Outlet: FSL

RD8117



EV3091
Jeep Grand Cherokee, 02>

Length: 236mm
Height: 240mm
Thickness: 89mm

Inlet: Pad
Outlet: Pad

TX9449

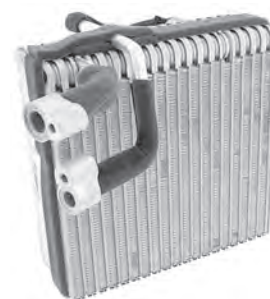


EV3054
Jeep Grand Cherokee, 99-02

Length: 240mm
Height: 240mm
Thickness: 85mm

Inlet: Pad
Outlet: Pad

RD8116
CH-K05013563AB



EV3052
Jeep Grand Cherokee ZG, 96-99

Length: 237mm
Height: 240mm
Thickness: 90mm

Inlet: FSL
Outlet: FSL

TX6730
RD8120



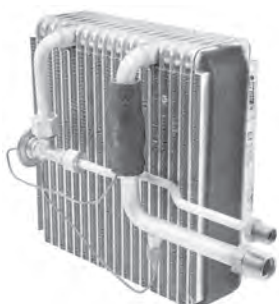
Kia/Komatsu

EV3013
Kia Mentor SRS2 K9E, 4/98>

Length: 220mm
Height: 235mm
Thickness: 75mm

Inlet: #8 FOR
Outlet: #10 MIOR

Includes TXV



MEV016
Kia Mentor, 97>

Length: 225mm
Height: 225mm
Thickness: 85mm

Inlet: #8 FOR
Outlet: #10 MIOR

Includes TXV

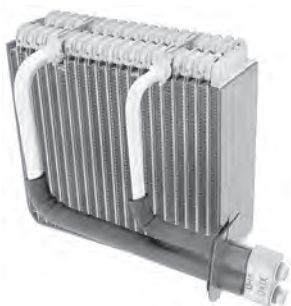


EV3167
Kia Optima GD, 5/01-7/06

Length: 250mm
Height: 235mm
Thickness: 80mm

Inlet: Pad
Outlet: Pad

RD7189
97607-38950



EV3198
Kia Rio

Length: 235mm
Height: 224mm
Thickness: 60mm

Inlet: Pad
Outlet: Pad

97607-FD100



EV3161
Kia Sorento, 03-06

Length: 245mm
Height: 233mm
Thickness: 80mm

Inlet: Pad
Outlet: Pad

RD4051
97607-3E500



EV3012
Kia Sportage, 97>

Length: 225mm
Height: 235mm
Thickness: 75mm

Inlet: Pad
Outlet: Pad

Includes TXV



EV3672
Komatsu PC138-8

Length: 300mm
Height: 195mm
Thickness: 38mm

Inlet: Pad
Outlet: Pad



EV4970
Komatsu PC220-7, PC1250-7 Excavator

Length: 280mm
Height: 280mm
Thickness: 90mm

Inlet: Pad
Outlet: Pad



EV0990
Komatsu PC300-3

Length: 290mm
Height: 250mm
Thickness: 38mm

Inlet: Pad
Outlet: Pad

RD7094



EV3543
Komatsu WA250-3

Length: 248mm
Height: 265mm
Thickness: 105mm

Inlet: Pad
Outlet: Pad

TX1390, TX1007
TX0030



EV3090
Komatsu

Length: 230mm
Height: 209mm
Thickness: 105mm

Inlet: M22 x 1.5 FOR
Outlet: M24 x 1.5 MIOR

Captive O'ring Fittings



EV3651
Komatsu

Length: 250mm
Height: 265mm
Thickness: 105mm

Inlet: Pad
Outlet: Pad



EV3781
Komatsu

Length: 272mm
Height: 275mm
Thickness: 90mm

Inlet: Pad
Outlet: Pad



EV1250
Kubota, 6/97>

Length: 266mm
Height: 275mm
Thickness: 58mm

Inlet: Pad
Outlet: Pad



EV0074
Kysor KA-300

Length: 550mm
Height: 125mm
Thickness: 45mm

Inlet: #8 MOR
Outlet: #8 MOR



EV1564
Land Rover Discovery I & II, 93-98

Length: 312mm
Height: 226mm
Thickness: 86mm

Inlet: M22 x 1.5 FOR
Outlet: M24 x 1.5 MIOR
Captive O'ring Fittings



EV3519
Lexus ES300 VCV10, 8/93>
Lexus ES300 MCV20, 8/96>

Length: 250mm
Height: 295mm
Thickness: 90mm

Inlet: Pad
Outlet: Pad

TX0030
RD7001

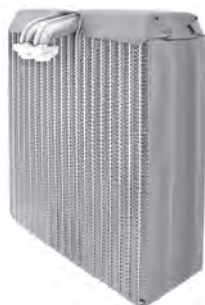


EV7741
Lexus ES300 VCV10, 3/92-7/93

Length: 250mm
Height: 295mm
Thickness: 90mm

Inlet: Pad
Outlet: Pad

TX0030
RD7001
88501-33010



EV3452
Lexus IS F USE20R, 10/08>
Lexus IS250 GSE20R, 11/05>
Lexus IS350 GSE21R, 10/10>

Length:
Height:
Thickness:

Inlet:
Outlet:

RD4051
88501-3A160



EV3247
Lexus LS400 UCF20, 10/94>

Length: 305mm
Height: 250mm
Thickness: 70mm

Inlet: Pad
Outlet: Pad

TX0920
RD7027
88501-50140



EV3249
Lexus LS400 UCF10R, 12/89-8/92

Length: 275mm
Height: 280mm
Thickness: 110mm

Inlet: Pad
Outlet: Pad

R12 Fitting Profile

88501-50160




EV8807
Lexus LX470 UZJ100R, 5/98-3/08

Length: 295mm
Height: 295mm
Thickness: 90mm

Inlet: Pad
Outlet: Pad

TX1012
RD4040
88501-60170




EV8809
Lexus LX570 URJ201R, 4/08>

Length: 300mm
Height: 280mm
Thickness: 50mm

Inlet: Pad
Outlet: Pad

TX1012
RD4040



EV3352
Lexus RX350 GSU35R, 2/06-1/09

Length: 275mm
Height: 295mm
Thickness: 38mm

Inlet: Pad
Outlet: Pad

TX3050
RD4050
88501-48240



EV3358
Lexus RX450H GLY15R, 6/09>

Length: 300mm
Height: 274mm
Thickness: 38mm

Inlet: Pad
Outlet: Pad

TX3120
RD4085
88501-48300




Mazda/Mercedes

EV3142
Mazda 121, >9/94

Length: 212mm
Height: 240mm
Thickness: 92mm

Inlet: M20 x 1.5 MIOR
Outlet: M22 x 1.5 MIOR

TX1032




EV3147
Mazda 121
Mazda 323 BA, 96>

Length: 226mm
Height: 240mm
Thickness: 92mm

Inlet: Pad
Outlet: Pad


TX1011



EV3444
Mazda 121, 81-84
Mazda 323, 81-84

Length: 215mm
Height: 210mm
Thickness: 105mm

Inlet: #8 FOR
Outlet: #10 MIOR
R12 Fitting Profile




EV3550
Mazda 3

Length: 230mm
Height: 255mm
Thickness: 55mm

Inlet: Pad
Outlet: Pad

TX1066
RD7095



EV3331
Mazda 323 BJ Astina, 8/99-5/02

Length: 213mm
Height: 235mm
Thickness: 65mm

Inlet: Pad
Outlet: Pad

TX1032
RD7017



EV3329
Mazda 323 Protege, 98>

Length: 215mm
Height: 237mm
Thickness: 65mm

Inlet: M20 x 1.5 FOR
Outlet: FSL

TX1032
RD7017



EV3290
Mazda 323, 93>

Length: 213mm
Height: 240mm
Thickness: 92mm

Inlet: M20 x 1.5 FOR
Outlet: M22 x 1.5 MIOR

TX1025
RD7015



EV3432
Mazda 323, 85-87

Length: 235mm
Height: 210mm
Thickness: 105mm

Inlet: #8 FOR
Outlet: #10 MIOR

Denso system
TX0600
RD6310



EV3263
Mazda 323, 83-88

Length: 216mm
Height: 210mm
Thickness: 100mm

Inlet: #8 FOR
Outlet: #10 MIOR

TX0450
RD6310



EV3549
Mazda 6

Length: 255mm
Height: 227mm
Thickness: 58mm

Inlet: Pad
Outlet: Pad

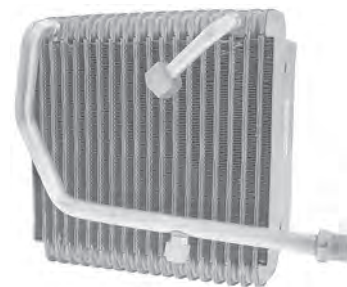
TX1066
RD4050
GJZA61J1ZB



EV3295
Mazda 626 GE, 91>

Length: 225mm
Height: 240mm
Thickness: 92mm

Inlet: M20 x 1.5 FOR
Outlet: M22 x 1.5 MIOR

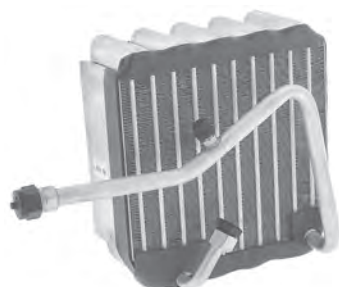


EV3130
Mazda 626 GD, 87>

Length: 210mm
Height: 235mm
Thickness: 90mm

Inlet: M20 x 1.5 FOR
Outlet: M22 x 1.5 MIOR

TX1028
RD5015, RD7015
503702-1660



EV3120
Mazda 626, 83>

Length: 215mm
Height: 210mm
Thickness: 105mm

Inlet: #8 FOR
Outlet: #10 MIOR

TX1003
RD6310



EV9952
Mazda B Series, 00>

Length: 207mm
Height: 235mm
Thickness: 81mm

Inlet: M20 x 1.5 FOR
Outlet: M22 x 1.5 MIOR



EV3512
Mazda B Series 2600, 95>

Length: 210mm
Height: 215mm
Thickness: 110mm

Inlet: M22 x 1.5 FOR
Outlet: M24 x 1.5 MIOR

Captive O'ring Fittings
TX9091, TX0080

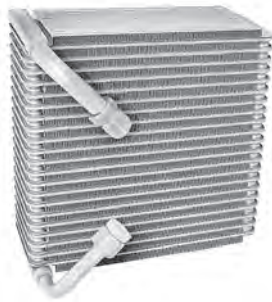


EV3257

Mazda B Series 2600, 85
Mazda E Series, 91
Mazda E2000 Petrol, 97>

Length: 235mm
Height: 218mm
Thickness: 81mm

Inlet: #8 FOR
Outlet: #10 MIOR



EV3361

Mazda BT50, 06-11

Length: 235mm
Height: 204mm
Thickness: 60mm

Inlet: Pad
Outlet: Pad

RD4050
UR5661J10



EV2474

Mazda E Series

Length: 194mm
Height: 214mm
Thickness: 100mm

Inlet: #8 FOR
Outlet: #8 MIOR



EV3545

Mazda MPV, 00>

Length: 295mm
Height: 225mm
Thickness: 60mm

Inlet: Pad
Outlet: Pad

RD4050
02C06A652-3



EV3552

Mazda MX5 NC, 9/05>

Length: 235mm
Height: 219mm
Thickness: 50mm

Inlet: Pad
Outlet: Pad



EV3503

Mazda MX5, 94>

Length: 235mm
Height: 200mm
Thickness: 105mm

Inlet: M22 x 1.5 FOR
Outlet: M24 x 1.5 MIOR

Captive O'ring Fittings
TX1003



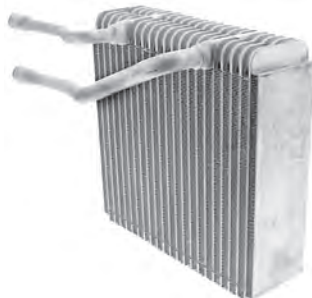
EV3528

Mazda Tribute, 12/00>

Length: 232mm
Height: 235mm
Thickness: 68mm

Inlet: FSL
Outlet: FSL

TX2619
RD7096
E11261J10



EV3238

Mercedes Benz R129, 280, 300SL, 320, 500,
500SL, 55AMG, 60AMG, 89-01

Length: 328mm
Height: 178mm
Thickness: 68mm

Inlet: Pad
Outlet: Pad

RD4109
A1298300358



EV3016

Mercedes Benz W116

Length: 370mm
Height: 181mm
Thickness: 90mm

Inlet: #8 FOR
Outlet: #10 FOR

Tube & Fin
RD1116



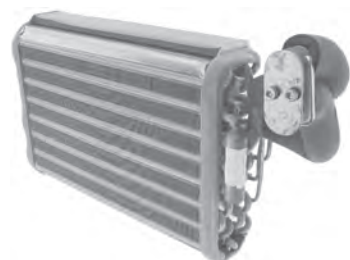
EV3129

Mercedes Benz W124, 300E, 89>

Length: 340mm
Height: 228mm
Thickness: 72mm

Inlet: Pad
Outlet: Pad

Tube & Fin
TX9421
RD1124
CF2004P



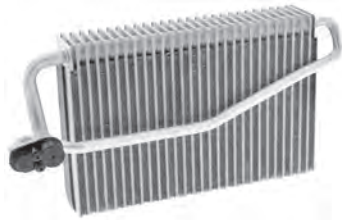
EV3388

Mercedes Benz W203, C203, T203, C209, W209, CLK

Length: 308mm
Height: 200mm
Thickness: 65mm

Inlet: Pad
Outlet: Pad

TX6715, TX7497
RD4407
2098300258, 2038300258



EV3387

Mercedes Benz W220 S Class, 00>

Length: 300mm
Height: 237mm
Thickness: 65mm

Inlet: Pad 11.7mm Dia.
Outlet: Pad 14.5mm Dia.

TX6715
RD7086



Mitsubishi/Nissan

EV3257

Mitsubishi Canter, 84-89

Length: 235mm
Height: 218mm
Thickness: 81mm

Inlet: #8 FOR
Outlet: #10 MIOR



EV3289

Mitsubishi L300 SH, SJ, 6/94>

Length: 235mm
Height: 215mm
Thickness: 75mm

Inlet: #8 FOR
Outlet: #10 MIOR

TX0470, TX9921
RD7026



EV2474

Mitsubishi L300 SF, SG, SH, 8/86-6/94

Length: 194mm
Height: 214mm
Thickness: 100mm

Inlet: #8 FOR
Outlet: #8 MIOR

Front & Rear
TX8731



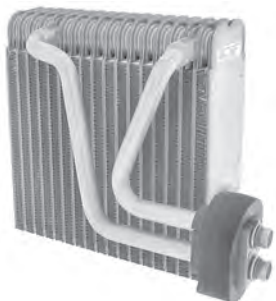
EV3178

Mitsubishi Lancer CE Sedan & Coupe, 8/01-9/04

Length: 230mm
Height: 235mm
Thickness: 70mm

Inlet: Pad
Outlet: Pad

TX1140
RD7039



EV3300

Mitsubishi Lancer CE, 5/96-7/01

Length: 235mm
Height: 235mm
Thickness: 75mm

Inlet: #8 FOR
Outlet: #10 MIOR

TX1023
RD7039



EV3317

Mitsubishi Lancer CC, 9/92-7/96

Length: 235mm
Height: 235mm
Thickness: 68mm

Inlet: Pad
Outlet: Pad

Includes TXV
TX1041



EV3146

Mitsubishi Magna TE, TF, TH, TJ, 2/96-4/04

Length: 250mm
Height: 235mm
Thickness: 75mm

Inlet: Pad
Outlet: Pad

TX1023



EV3145
Mitsubishi Magna TS, 3/94-2/97

Length: 255mm
Height: 240mm
Thickness: 100mm

Inlet: M22 x 1.5 FOR
Outlet: M24 x 1.5 MIOR

Captive O'ring Fittings
TX0080
RD7001
AW344722



EV3178
Mitsubishi Mirage CE, 1.5Lt, 8/01-8/04

Length: 230mm
Height: 235mm
Thickness: 70mm

Inlet: Pad
Outlet: Pad

TX1140
RD7039



EV3300
Mitsubishi Mirage CE, 5/96-7/01

Length: 235mm
Height: 235mm
Thickness: 75mm

Inlet: #8 FOR
Outlet: #10 MIOR

TX1023
RD7039



EV3257
Mitsubishi Nimbus UF, 6/91-7/98

Length: 235mm
Height: 218mm
Thickness: 81mm

Inlet: #8 FOR
Outlet: #10 MIOR

RD0112



EV3345
Mitsubishi Outlander, 03>

Length: 270mm
Height: 230mm
Thickness: 58mm

Inlet: Pad
Outlet: Pad

TX1142
RD7071



EV3325
Mitsubishi Pajero NM, NP, 2/00>

Length: 245mm
Height: 275mm
Thickness: 58mm

Inlet: Pad
Outlet: Pad

Front evaporator
TX1800
RD4050



EV3326
Mitsubishi Pajero NM, NP, 2/00>

Length: 160mm
Height: 205mm
Thickness: 55mm

Inlet: Pad
Outlet: Pad

Rear evaporator
TX0070



EV3257
Mitsubishi Pajero NH Petrol, >97
Mitsubishi Pajero NF, Diesel, >97

Length: 235mm
Height: 218mm
Thickness: 81mm

Inlet: #8 FOR
Outlet: #10 MIOR

TX7731



EV2476
Mitsubishi Pajero NJ, NK, NL, 8/93>

Length: 220mm
Height: 245mm
Thickness: 105mm

Inlet: Pad
Outlet: Pad

Denso system
TX0030
RD7001



EV3289
Mitsubishi Pajero NH, 2/91-8/93

Length: 235mm
Height: 215mm
Thickness: 75mm

Inlet: #8 FOR
Outlet: #10 MIOR

TX9921, TX0470



EV2474

Mitsubishi Pajero ND, NF, NG, 10/86-5/91

Length: 194mm
Height: 214mm
Thickness: 100mm

Inlet: #8 FOR
Outlet: #8 MIOR

TX8731



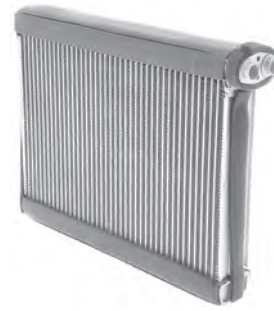
EV3344

Mitsubishi Triton ML, 11/06>

Length: 277mm
Height: 225mm
Thickness: 38mm

Inlet: Pad
Outlet: Pad

TX1141
 RD7041



EV3336

Mitsubishi Triton MK, 04>

Length: 235mm
Height: 240mm
Thickness: 70mm

Inlet: Pad
Outlet: Pad

TX1139
 RD7039



EV3300

Mitsubishi Triton MK, 6/96>

Length: 235mm
Height: 235mm
Thickness: 75mm

Inlet: #8 FOR
Outlet: #10 MIOR

RD7039



EV3289

Mitsubishi Triton MJ, 6/94-5/95

Length: 235mm
Height: 215mm
Thickness: 75mm

Inlet: #8 FOR
Outlet: #10 MIOR

TX9921
 RD0112



EV3146

Mitsubishi Verada KE, KF, KH, KJ, 2/96-7/03

Length: 250mm
Height: 235mm
Thickness: 75mm

Inlet: Pad
Outlet: Pad

TX1023
 RD7039



EV3145

Mitsubishi Verada KS, 3/94-3/96

Length: 255mm
Height: 240mm
Thickness: 100mm

Inlet: M22 x 1.5 FOR
Outlet: M24 x 1.5 MIOR

Captive O'ring Fittings
 TX0080
 RD7001
 AW344722



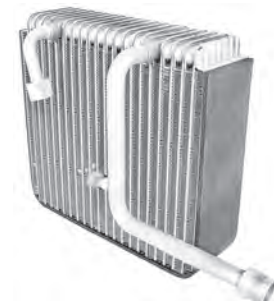
EV3165

Nissan Maxima A32

Length: 245mm
Height: 235mm
Thickness: 75mm

Inlet: M20 x 1.5 FOR
Outlet: M24 x 1.5 MIOR

M24 Suction Thread



EV3166

Nissan Maxima A32

Length: 245mm
Height: 235mm
Thickness: 75mm

Inlet: M20 x 1.5 FOR
Outlet: M27 x 2.0 MIOR

M27 Suction Thread



EV3289

Nissan Micra K11

Length: 235mm
Height: 215mm
Thickness: 75mm

Inlet: #8 FOR
Outlet: #10 MIOR

Air International system



EV3910
Nissan Navara, 97>
Nissan Pathfinder, 97>

Length: 230mm
Height: 215mm
Thickness: 58mm

Inlet: M20 x 1.5 FOR
Outlet: M27 x 2.0 MIOR

RD7041
B727073POO



EV3265
Nissan Navara, 89

Length: 227mm
Height: 233mm
Thickness: 100mm

Inlet: #8 FOR
Outlet: #10 MIOR

RD0134



EV3164
Nissan Patrol TY61, 2/99>
Nissan Patrol Y61, 10/97>

Length: 265mm
Height: 230mm
Thickness: 70mm

Inlet: Pad
Outlet: Pad

TX7632
RD6117, RD7075
27280-VB201

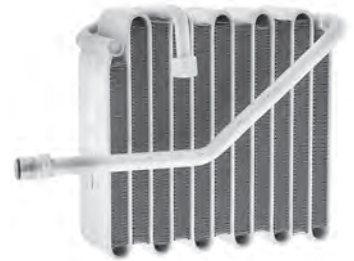


EV3282
Nissan Patrol Y60 GQ, 10/94-9/97

Length: 236mm
Height: 235mm
Thickness: 100mm

Inlet: #8 FOR
Outlet: M22 x 1.5 MIOR

Metric Threads
TX7631



EV3163
Nissan Patrol Y60 GQ, 8/87-9/97

Length: 235mm
Height: 230mm
Thickness: 100mm

Inlet: #8 FOR
Outlet: #10 MIOR

Nissair system
Imperial Threads
TX6730

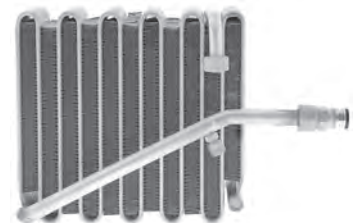


EV3152
Nissan Patrol Y60 GQ, 8/87-10/94

Length: 238mm
Height: 225mm
Thickness: 100mm

Inlet: #8 FOR
Outlet: M22 x 1.5 MIOR

Metric Threads
TX1025
RD9300



EV3109
Nissan Pintara U12, FWD, 89-92

Length: 232mm
Height: 233mm
Thickness: 100mm

Inlet: #8 FOR
Outlet: #10 MIOR

TX6730



EV0091
Nissan Pintara R31, RWD, 89-90
Nissan Skyline R31, 89-90

Length: 227mm
Height: 233mm
Thickness: 100mm

Inlet: Pad
Outlet: Pad

TX9131
RD0134



EV3368
Nissan Pulsar N16, 7/00>

Length: 235mm
Height: 214mm
Thickness: 73mm

Inlet: Pad
Outlet: Pad

TX1042
RD5176, RD5177
RD5178
27280-4M410



EV3144
Nissan Pulsar N14

Length: 235mm
Height: 225mm
Thickness: 75mm

Inlet: M20 x 1.5 FOR
Outlet: M22 x 1.5 MIOR

Export only, Zexel
TX1020



EV3367
Nissan Tiida, 2/06>

Length: 210mm
Height: 225mm
Thickness: 38mm

Inlet: Pad
Outlet: Pad

RD7099
27281ED000, 503702-4410



EV3189
Nissan X-Trail

Length: 275mm
Height: 210mm
Thickness: 48mm

Inlet: Pad
Outlet: Pad

TX1042
RD7068
272808H300



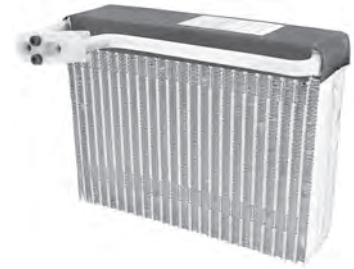
Peugeot/Porsche

EV3903
Peugeot 206, 6/00>

Length: 260mm
Height: 210mm
Thickness: 65mm

Inlet: Pad
Outlet: Pad

TX5011
RD0206

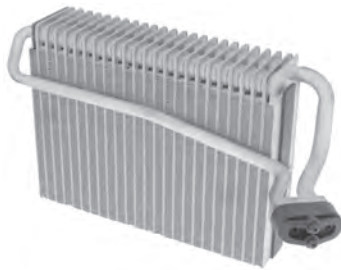


EV3384
Peugeot 306

Length: 260mm
Height: 202mm
Thickness: 65mm

Inlet: Pad
Outlet: Pad

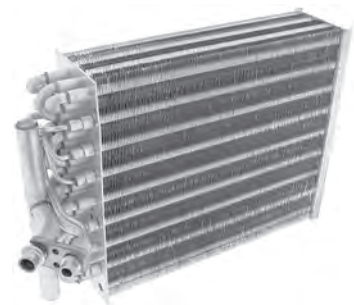
TX5011
RD0306, RD1306
6450CH



EV3901
Peugeot 306
Peugeot 406

Length: 330mm
Height: 230mm
Thickness: 85mm

Inlet: Pad
Outlet: Pad

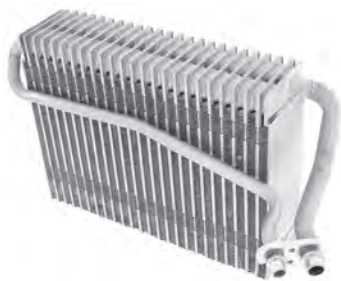


EV3902
Peugeot 306, 98>

Length: 265mm
Height: 198mm
Thickness: 65mm

Inlet: Pad
Outlet: Pad

TX9422
RD1306

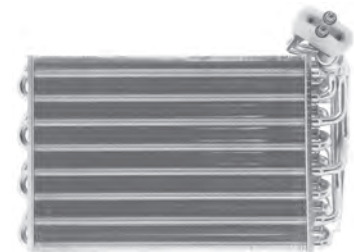


EV3906
Peugeot 405, 94>

Length: 298mm
Height: 204mm
Thickness: 83mm

Inlet: Pad
Outlet: Pad

TX9602
RD4005

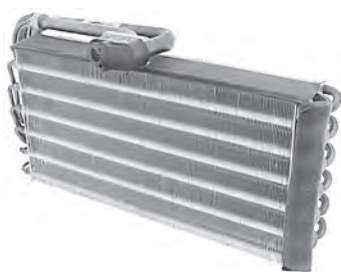


EV3324
Porsche 911, 95>

Length: 370mm
Height: 160mm
Thickness: 70mm

Inlet: Pad
Outlet: Pad

CF4200P, CF4200C



Red Dot

EV7030

Red Dot R-10034, R-2520, R-9500, R-9510

Length: 382mm
Height: 205mm
Thickness: 80mm

Inlet: #8 MOR
Outlet: #10 MOR

76R7030



EV5030

Red Dot R-10035, R-8500

Length: 370mm
Height: 125mm
Thickness: 65mm

Inlet: #8 MOR
Outlet: #8 MOR

TX8300
76R5030



EV6950

Red Dot R-10040, R-2180, R-7070

Length: 322mm
Height: 205mm
Thickness: 80mm

Inlet: #8 MOR
Outlet: #8 MOR

76R6950



EV0308

Red Dot R-10044

Length: 505mm
Height: 180mm
Thickness: 80mm

Inlet: #8 MOR
Outlet: #8 MOR

76R6050



EV7070

Red Dot R-1-170, R-5040, R-5045-2, R-5075

Length: 383mm
Height: 205mm
Thickness: 80mm

Inlet: #8 MOR
Outlet: #8 MOR

TX8300
76R7070



EV6430

Red Dot R-1550, R-1600-0, R-1600-1

Length: 293mm
Height: 205mm
Thickness: 80mm

Inlet: #8 MOR
Outlet: #8 MOR

76R6430



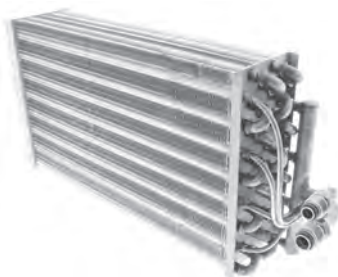
EV0309

Red Dot R-1620

Length: 330mm
Height: 205mm
Thickness: 80mm

Inlet: #8 MOR
Outlet: #10 MOR

76R6650



EV5200

Red Dot R-2000

Length: 318mm
Height: 155mm
Thickness: 65mm

Inlet: #8 MOR
Outlet: #8 MOR

TX8300
76R5200



EV5320

Red Dot R-2100

Length: 317mm
Height: 127mm
Thickness: 65mm

Inlet: #8 MOR
Outlet: #8 MOR

TX8300
76R5320



EV5202

Red Dot R-2110, R-2130

Length: 317mm
Height: 127mm
Thickness: 65mm

Inlet: #8 MOR
Outlet: #8 MOR

76R5000



EV0311
Red Dot R-2550

Length: 305mm
Height: 255mm
Thickness: 96mm

Inlet: #8 MOR
Outlet: #8 MOR

TX8300
76R7710

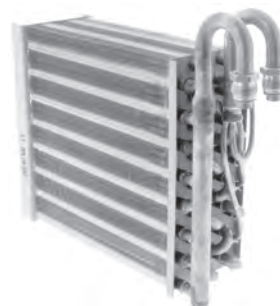


EV6150
Red Dot R-4130, R-4160, R-4170, R-4180,
R-4190

Length: 200mm
Height: 205mm
Thickness: 80mm

Inlet: #8 MOR
Outlet: #8 MOR

76R6150



EV6180
Red Dot R-5050, R-8050, R-8820

Length: 210mm
Height: 205mm
Thickness: 80mm

Inlet: #8 MOR
Outlet: #8 MOR

76R6180



EV6310
Red Dot R-5060

Length: 230mm
Height: 205mm
Thickness: 65mm

Inlet: #8 MOR
Outlet: #8 MOR

76R6310



EV6850
Red Dot R-5130

Length: 305mm
Height: 205mm
Thickness: 80mm

Inlet: #8 MOR
Outlet: #8 MOR

76R6850



EV7510
Red Dot R-5150, R-8800

Length: 220mm
Height: 255mm
Thickness: 80mm

Inlet: #8 MOR
Outlet: #10 MOR

76R7510



EV7010
Red Dot R-5180

Length: 370mm
Height: 205mm
Thickness: 65mm

Inlet: #8 FOR
Outlet: #8 FOR

76R7010



EV5500
Red Dot R-6000, R-6100

Length: 385mm
Height: 155mm
Thickness: 48mm

Inlet: #8 MOR
Outlet: #8 MOR

TX8300
76R5500



EV6350
Red Dot R-7820, R-7830

Length: 230mm
Height: 205mm
Thickness: 65mm

Inlet: #8 MOR
Outlet: #8 MOR

TX8300
76R6350



EV5321
Red Dot R-8545

Length: 340mm
Height: 155mm
Thickness: 65mm

Inlet: #8 MOR
Outlet: #8 MOR

TX8300
76R5300

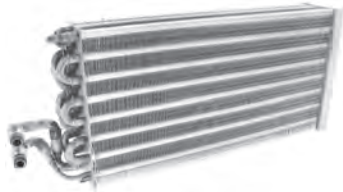


EV7100
Red Dot R-9727-1 (late)

Length: 385mm
Height: 205mm
Thickness: 65mm

Inlet: #8 MOR
Outlet: #8 MOR

TX8300
76R7100




EV0306
Red Dot R-9737-3, R-9757

Length: 445mm
Height: 180mm
Thickness: 50mm

Inlet: #8 MOR
Outlet: #8 MOR

TX8300
RD2546
76R6015




EV4900
Red Dot R-9750

Length: 485mm
Height: 100mm
Thickness: 65mm

Inlet: #8 MOR
Outlet: #8 MOR

TX8300
76R4900




EV4920
Red Dot R-9755

Length: 455mm
Height: 105mm
Thickness: 65mm

Inlet: #8 MOR
Outlet: #8 MOR

TX8300
76R4920



EV5820
Red Dot R-9777

Length: 445mm
Height: 155mm
Thickness: 50mm

Inlet: #8 MOR
Outlet: #10 MOR

TX8380
76R5820




EV5700
Red Dot R-9800

Length: 445mm
Height: 180mm
Thickness: 50mm

Inlet: #8 MOR
Outlet: #8 MOR

TX8310
76R5700


 Picture unavailable at time of printing
 refer www.cooldrive.com.au


Saab/Scania/Skoda

EV3158
Saab 900, 98>

Length: 210mm
Height: 280mm
Thickness: 70mm

Inlet: Pad
Outlet: Pad

7495260




EV3196
Saab 9-3, 98>

Length: 280mm
Height: 245mm
Thickness: 70mm

Inlet: Pad
Outlet: Pad

93172074




EV3187
Saab 9-5, 9/97>

Length: 309mm
Height: 227mm
Thickness: 75mm

Inlet: Pad
Outlet: Pad

400111316, 4868451



EV4071
Scania P, R, T Series, 9/04>

Length: 495mm
Height: 227mm
Thickness: 68mm

Inlet: Pad
Outlet: Pad

1323821, 1779202



EV6339
Skoda Roomster, 7/01-3/10

Length: 232mm
Height: 235mm
Thickness: 65mm

Inlet: Pad
Outlet: Pad

Includes TXV
TX5015, TX6339
RD4408
6Q0820103 (B)



Subaru/Suzuki

EV3197
Subaru Impreza MY08, 9/07>
Subaru Forester MY08

Length: 195mm
Height: 290mm
Thickness: 40mm

Inlet: Pad
Outlet: Pad

73523FG010



EV3271
Subaru Legacy, 90-92
Subaru Liberty, 6/91-6/94

Length: 235mm
Height: 235mm
Thickness: 90mm

Inlet: Pad
Outlet: Pad

R12 Fitting Profile
TX1730, TX1006



EV3299
Subaru Liberty, 94-97

Length: 235mm
Height: 235mm
Thickness: 90mm

Inlet: Pad
Outlet: Pad

TX0030
73523AC001

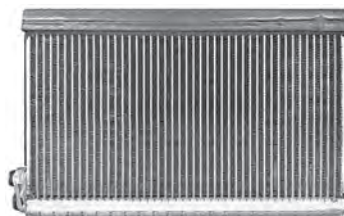


EV3468
Subaru Outback, 09>

Length: 302mm
Height: 195mm
Thickness: 38mm

Inlet: Pad
Outlet: Pad

73523AG000



EV5420
Suzuki Alto YE-2

Length: 184mm
Height: 250mm
Thickness: 106mm

Inlet: M22 x 1.5 FOR
Outlet: M24 x 1.5 MIOR

Imported vehicles only
Includes TXV



EV3430
Suzuki Alto, 3/86>

Length: 230mm
Height: 158mm
Thickness: 85mm

Inlet: #8 FOR
Outlet: #10 MIOR

R12 Fitting Profile



EV3527
Suzuki Baleno, 1.6Lt, 1.8Lt, 3/94>

Length: 220mm
Height: 245mm
Thickness: 90mm

Inlet: Pad
Outlet: Pad

RD7028



EV3514
Suzuki Sierra, 1.3Lt, 3/94>

Length: 210mm
Height: 210mm
Thickness: 85mm

Inlet: M22 x 1.5 FOR
Outlet: M24 x 1.5 MIOR
Captive O'ring Fittings

RD7028



EV3431
Suzuki Sierra, 1.3Lt, 1/85>

Length: 211mm
Height: 210mm
Thickness: 85mm

Inlet: #8 FOR
Outlet: #10 MIOR

R12 Fitting Profile
TX0650



EV3416
Suzuki Swift SA, SF, 10/88-5/00

Length: 210mm
Height: 245mm
Thickness: 90mm

Inlet: #8 FOR
Outlet: #10 MIOR

R12 Fitting Profile
TX0640



EV3294
Suzuki Vitara, 95>

Length: 195mm
Height: 248mm
Thickness: 90mm

Inlet: M22 x 1.5 FOR
Outlet: M24 x 1.5 MIOR

Captive O'ring Fittings
TX0080



EV3411
Suzuki Vitara JX, JLX, 10/88-10/94

Length: 195mm
Height: 245mm
Thickness: 90mm

Inlet: #8 FOR
Outlet: #10 MIOR

TX0710

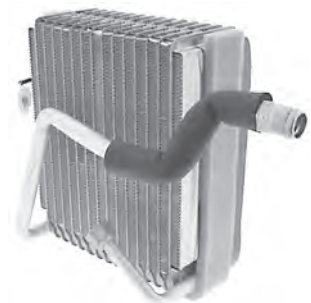


EV3413
Suzuki Vitara, 88

Length: 195mm
Height: 245mm
Thickness: 90mm

Inlet: #8 FOR
Outlet: #10 MIOR

Includes Thermister
TX0710



EV3294
Suzuki X90, 4/96-5/98

Length: 195mm
Height: 248mm
Thickness: 90mm

Inlet: M22 x 1.5 FOR
Outlet: M24 x 1.5 MIOR

Captive O'ring Fittings
TX0080



EV8806
Toyota 4 Runner LN130, RN130, VZN130, 89>

Length: 220mm
Height: 245mm
Thickness: 90mm

Inlet: Pad
Outlet: Pad

TX0030
TX1390, TX1007
RD7001
88501-35021



EV3412
Toyota 4 Runner LN, RN, YN, Surf, 90-93

Length: 220mm
Height: 245mm
Thickness: 90mm

Inlet: Pad
Outlet: Pad

R12 Fitting Profile
TX1006, TX1730
RD7005



EV3442
Toyota 4 Runner LN130, 89

Length: 240mm
Height: 210mm
Thickness: 85mm

Inlet: #8 FOR
Outlet: #10 MIOR
R12 Fitting Profile



EV3423
Toyota 4 Runner YN63, 87>

Length: 240mm
Height: 230mm
Thickness: 85mm

Inlet: #8 FOR
Outlet: #10 MIOR
R12 Fitting Profile
TX0710, TX1005
RD7003



EV3445
Toyota Aurion GSV40R, 10/06-3/12

Length: 290mm
Height: 300mm
Thickness: 38mm

Inlet: Pad
Outlet: Pad

TX0220
RD4050
88501-06060

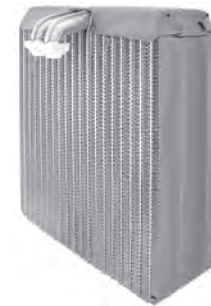


EV3519
Toyota Avalon MCX10R, 7/00-3/06

Length: 250mm
Height: 295mm
Thickness: 90mm

Inlet: Pad
Outlet: Pad

TX0030, TX1390
TX1007
RD7001



EV3440
Toyota Avensis Verso ACM20R, ACM21R,
5/01-11/10

Length: 295mm
Height: 133mm
Thickness: 60mm

Inlet: Pad
Outlet: Pad

Rear evaporator



EV3540
Toyota Avensis Verso ACM20, 5/01-10/03

Length: 262mm
Height: 275mm
Thickness: 60mm

Inlet: Pad
Outlet: Pad

TX1035
RD4040
CF6302P



EV3445
Toyota Camry ACV40R, 6/06-1/12

Length: 290mm
Height: 300mm
Thickness: 38mm

Inlet: Pad
Outlet: Pad

TX0220
RD4050
88501-06060

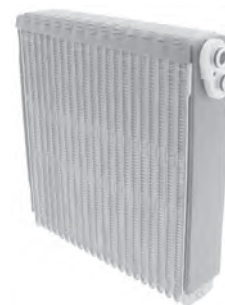


EV3182
Toyota Camry ACV36R, MCV36R, 9/02-6/06

Length: 285mm
Height: 300mm
Thickness: 55mm

Inlet: Pad
Outlet: Pad

TX1035
RD4040



EV3519
Toyota Camry MCV20, SXV20, 8/97>
Toyota Camry SDV10, 93>

Length: 250mm
Height: 295mm
Thickness: 90mm

Inlet: Pad
Outlet: Pad

TX0030
RD7001



EV3113
Toyota Camry SV11


Length: 239mm
Height: 260mm
Thickness: 105mm

Inlet: #8 FOR
Outlet: #10 MIOR

TX0510
RD6310



EV3112
Toyota Camry SV20, SV21, SV22, 8/89-3/93



Length: 239mm
Height: 237mm
Thickness: 105mm

Inlet: #8 FOR
Outlet: #10 MIOR

TX0710
RD7005, RD7031

EV3538
Toyota Celica ZTZ231R, 8/99-3/06




Length: 255mm
Height: 265mm
Thickness: 60mm

Inlet: Pad
Outlet: Pad

TX1035
RD4040
CF6302P

EV3515
Toyota Celica ST204, 3/94-11/99



Length: 245mm
Height: 265mm
Thickness: 85mm

Inlet: Pad
Outlet: Pad

TX1007
TX0030, TX1390
RD7001

EV3505
Toyota Celica ST204, ST205 GT-4, 11/93-8/95



Length: 260mm
Height: 247mm
Thickness: 105mm

Inlet: Pad
Outlet: Pad

TX1007
TX0030, TX1390
RD7001

EV3310
Toyota Celica ST184R, ST185R, GT-4, 11/87-3/94




Length: 245mm
Height: 265mm
Thickness: 105mm

Inlet: Pad
Outlet: Pad

TX1730, TX1006
RD7003

EV3112
Toyota Celica ST162, 8/85-11/89




Length: 239mm
Height: 237mm
Thickness: 105mm

Inlet: #8 FOR
Outlet: #10 MIOR

TX0710
RD6310

EV6651
Toyota Commuter LH125, RZH125




Length: 225mm
Height: 245mm
Thickness: 105mm

Inlet: Pad
Outlet: Pad

TX1006, TX1730
RD7005

EV8802
Toyota Commuter LH162, LH172, RZH103, RZH113, LH125, RZH125, 12/92>




Length: 220mm
Height: 245mm
Thickness: 105mm

Inlet: Pad
Outlet: Pad

R134a Fitting Profile
TX0030
RD8040

EV3179
Toyota Corolla ZRE152R, 5/07>




Length: 286mm
Height: 234mm
Thickness: 38mm

Inlet: Pad
Outlet: Pad

TX3070
RD4050, RD4070
88501-0K090

EV3539
Toyota Corolla ZZE122R, ZZE123R, 12/01-4/07



Length: 265mm
Height: 255mm
Thickness: 58mm

Inlet: Pad
Outlet: Pad

TX1035, TX2000
RD4040

EV3526

Toyota Corolla AE112R, 10/98-11/01

Length: 235mm
Height: 255mm
Thickness: 90mm

Inlet: Pad
Outlet: Pad

TX0030
 RD7028



EV3259

Toyota Corolla AE101, AE102 Sprinter, 9/94-4/97

Length: 235mm
Height: 255mm
Thickness: 90mm

Inlet: Pad
Outlet: Pad

TX0030
 RD8060



EV3286

Toyota Corolla AE92, AE93, AE94, AE95, AE96, 8/93-7/95

Length: 240mm
Height: 280mm
Thickness: 105mm

Inlet: M22 x 1.5 FOR
Outlet: M24 x 1.5 MIOR

R134a Fitting Profile
 RD7001



EV3122D

Toyota Corolla AE90, AE92, AE93, AE95, 7/89-8/94

Length: 240mm
Height: 237mm
Thickness: 105mm

Inlet: #8 FOR
Outlet: #10 MIOR

TX0710
 RD7003, RD7005
 88501-12330



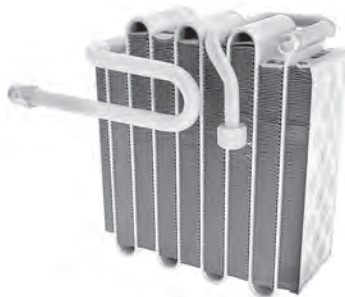
EV3121

Toyota Corolla AE82, 5/83-5/89

Length: 227mm
Height: 214mm
Thickness: 85mm

Inlet: #8 FOR
Outlet: #10 MIOR

RD6310



EV3110

Toyota Corolla KE70, 79-83

Length: 215mm
Height: 240mm
Thickness: 85mm

Inlet: #8 FOR
Outlet: #10 MIOR

RD6310



EV3119

Toyota Corona RT132, XT130, 78-82

Length: 212mm
Height: 254mm
Thickness: 105mm

Inlet: #8 FOR
Outlet: #10 MIOR

RD6310



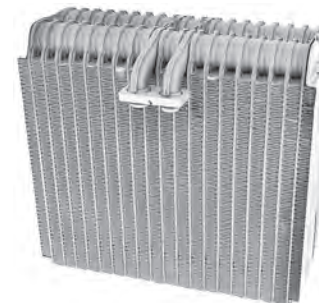
EV3285

Toyota Cressida MX83, 10/88-9/93

Length: 260mm
Height: 245mm
Thickness: 105mm

Inlet: Pad
Outlet: Pad

TX1008
 RD7083, RD7005



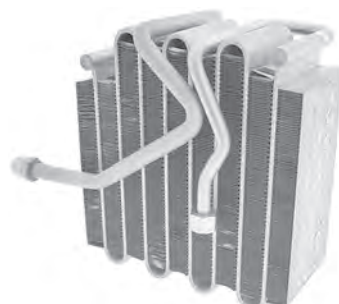
EV3264

Toyota Cressida MX73, 84-12/88

Length: 240mm
Height: 259mm
Thickness: 100mm

Inlet: #8 FOR
Outlet: #10 MIOR

RD6310



EV2902

Toyota Cressida MX63, 81-84

Length: 242mm
Height: 248mm
Thickness: 105mm

Inlet: #8 FOR
Outlet: #10 MIOR

RD6310



EV8806

Toyota Dyna LY211, BU142, 99>

Length: 220mm
Height: 245mm
Thickness: 90mm

Inlet: Pad
Outlet: Pad

88501-35021



EV3319

Toyota Dyna 5L

Length: 225mm
Height: 240mm
Thickness: 60mm

Inlet: Pad
Outlet: Pad



EV3524

Toyota Dyna, 93-95

Length: 255mm
Height: 210mm
Thickness: 110mm

Inlet: M22 x 1.5 FOR
Outlet: M24 x 1.5 MIOR

Captive O'ring Fittings
RD8030



EV3422

Toyota Dyna, 86-93

Length: 210mm
Height: 260mm
Thickness: 105mm

Inlet: #8 FOR
Outlet: #10 MIOR



EV3537

Toyota Echo NCP10R, NCP12R, NCP13R,
8/99-10/05

Length: 230mm
Height: 260mm
Thickness: 60mm

Inlet: Pad
Outlet: Pad

TX1600, TX2390
RD4050



EV3340

Toyota FJ Cruiser GSJ15R, 3/11>

Length: 280mm
Height: 210mm
Thickness: 38mm

Inlet: Pad
Outlet: Pad

TX2520



EV1211

Toyota Hiace KDH201R LPG, 06>
Toyota Hiace KDH200R, KDH222R,
KDH223R Diesel, 05>

Length: 290mm
Height: 235mm
Thickness: 38mm

Inlet: Pad
Outlet: Pad

TX3070



EV1211

Toyota Hiace TRH201R, TRH221R, TRH223R
Petrol, 05>

Length: 290mm
Height: 235mm
Thickness: 38mm

Inlet: Pad
Outlet: Pad

TX3070



EV3522

Toyota Hiace SBV, RCH12R, RCH22R,
9/95-2/05

Length: 220mm
Height: 295mm
Thickness: 90mm

Inlet: Pad
Outlet: Pad

TX1007
RD7054



EV8802

Toyota Hiace LH103, LH113, RZH103,
RZH113, 12/92>

Length: 220mm
Height: 245mm
Thickness: 105mm

Inlet: Pad
Outlet: Pad

R134a Fitting Profile
TX0030
RD8040



EV6651

Toyota Hiace LH103, LH113, RZH103, RZH113, 11/89>

Length: 225mm
Height: 245mm
Thickness: 105mm

Inlet: Pad
Outlet: Pad

R12 Fitting Profile
TX1006, TX1730



EV3128

Toyota Hiace, 82-89

Length: 254mm
Height: 210mm
Thickness: 105mm

Inlet: #8 FOR
Outlet: #10 MIOR



EV3179

Toyota Hilux GGN, KUN, TGN, 3/05>

Length: 286mm
Height: 234mm
Thickness: 38mm

Inlet: Pad
Outlet: Pad

TX2370, TX9220
RD4070
88501-0K090



EV3554

Toyota Hilux LN166, LN167, 00-04

Length: 250mm
Height: 230mm
Thickness: 50mm

Inlet: M22 x 1.5 FOR
Outlet: M24 x 1.5 MIOR

88501-35080



EV3533

Toyota Hilux LN, KZN, RZN, 8/97>

Length: 265mm
Height: 230mm
Thickness: 85mm

Inlet: M22 x 1.5 FOR
Outlet: M24 x 1.5 MIOR

Captive O'ring Fittings
TX1360
RD8070



EV3513

Toyota Hilux LN, RN, YN, 12/93-7/94

Length: 240mm
Height: 230mm
Thickness: 85mm

Inlet: M22 x 1.5 FOR
Outlet: M24 x 1.5 MIOR

Captive O'ring Fittings



EV3412

Toyota Hilux LN, RN, YN, 90-93

Length: 220mm
Height: 245mm
Thickness: 90mm

Inlet: Pad
Outlet: Pad

R12 Fitting Profile



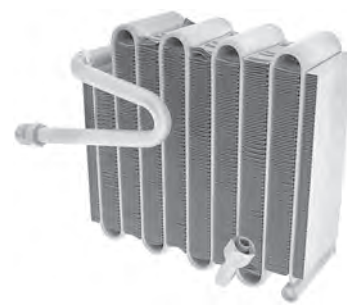
EV3115

Toyota Hilux LN, RN, YN, 88-90

Length: 242mm
Height: 230mm
Thickness: 85mm

Inlet: #8 FOR
Outlet: #10 MIOR

R12 Fitting Profile
TX0600, TX1003
TX0320, TX0710
RD6310



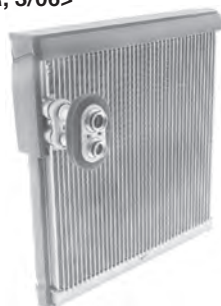
EV3447

Toyota Kluger GSU40R, GSU45R, 8/07>
Toyota Tarago ACR50R, GSR50R, 3/06>

Length: 275mm
Height: 300mm
Thickness: 40mm

Inlet: Pad
Outlet: Pad

TX0220
RD4070



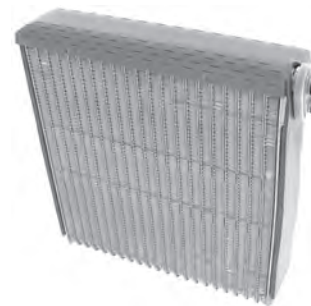
EV3439

Toyota Kluger MCU28, 8/03>

Length: 272mm
Height: 298mm
Thickness: 60mm

Inlet: Pad
Outlet: Pad

TX2000
RD4050



EV8809

Toyota Landcruiser 200 Series, UZJ200, VDJ200, GRJ200, 11/07>

Length: 300mm
Height: 280mm
Thickness: 50mm

Inlet: Pad
Outlet: Pad

TX0691
RD4040
88501-60170



EV8807

Toyota Landcruiser 100 Series, FZJ105, HZJ105

Length: 295mm
Height: 295mm
Thickness: 90mm

Inlet: Pad
Outlet: Pad

TX1012
RD4050
88501-60170



EV8804

Toyota Landcruiser 80 Series, 5/90>

Length: 275mm
Height: 295mm
Thickness: 105mm

Inlet: Pad
Outlet: Pad

R12 Fitting Profile
TX1730, TX1006
RD7003



EV8805

Toyota Landcruiser 80 Series

Length: 275mm
Height: 295mm
Thickness: 105mm

Inlet: Pad
Outlet: Pad

R134a Fitting Profile
TX0030
RD8010, RD7027



EVF150

Toyota Landcruiser 80 Series

Length: 268mm
Height: 272mm
Thickness: 100mm

Inlet: Pad
Outlet: Pad

Serpentine



EV3339

Toyota Landcruiser VDJ76R, VDJ78R, VDJ79R, 3/07>

Length: 225mm
Height: 205mm
Thickness: 50mm

Inlet: Pad
Outlet: Pad



EV3318

Toyota Landcruiser HZJ78 Wagon, HZJ79 Pickup, 8/99>

Length: 210mm
Height: 270mm
Thickness: 105mm

Inlet: M22 x 1.5 FOR
Outlet: M24 x 1.5 MIOR

Captive O'ring Fittings
TX0400, TX0080
RD7027



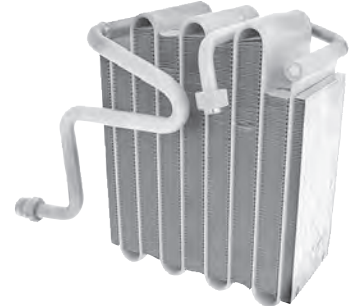
EV3297

Toyota Landcruiser HZJ75, HDJ78, HDJ79, FZJ78, FZJ79

Length: 215mm
Height: 270mm
Thickness: 105mm

Inlet: M22 x 1.5 FOR
Outlet: M24 x 1.5 MIOR

TX0080
RD7027



EV3117

Toyota Landcruiser HJ70, HJ75, FJ70, FJ75, BJ70, BJ75, 1/85-90

Length: 215mm
Height: 271mm
Thickness: 105mm

Inlet: #8 FOR
Outlet: #10 MIOR



EV3118

Toyota Landcruiser FZJ70, HZJ70

Length: 210mm
Height: 270mm
Thickness: 105mm

Inlet: #8 FOR
Outlet: #10 MIOR

R12 with Captive O'ring



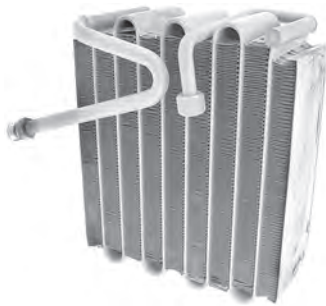
EV3116

Toyota Landcruiser HJ60, FJ60

Length: 239mm
Height: 290mm
Thickness: 105mm

Inlet: #8 FOR
Outlet: #10 MIOR

TX1003, TX0320
 RD6310



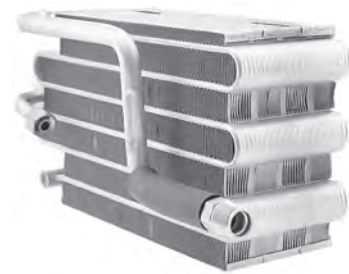
EV3428

Toyota Liteace CM35, CM36, KM30, KM35, KM36, KM40, 86-90

Length: 300mm
Height: 175mm
Thickness: 115mm

Inlet: #8 FOR
Outlet: #10 MIOR

R12 Fitting Profile
 RD6310



EV3426

Toyota Liteace YM30, YM40, 86>

Length: 238mm
Height: 220mm
Thickness: 105mm

Inlet: #8 FOR
Outlet: #10 MIOR

Rear evaporator



EV3409

Toyota MR2 ZZW30R, 10/00-3/06

Length: 240mm
Height: 245mm
Thickness: 50mm

Inlet: Pad
Outlet: Pad

TX1640



EV3509

Toyota MR2 SW20, 9/93-12/99

Length: 207mm
Height: 242mm
Thickness: 92mm

Inlet: Pad
Outlet: Pad



EV3406

Toyota MR2 SW20, 3/90-8/93

Length: 210mm
Height: 245mm
Thickness: 90mm

Inlet: Pad
Outlet: Pad

R12 Fitting Profile



EV3427

Toyota MR2 AW11, 10/87-2/90

Length: 205mm
Height: 250mm
Thickness: 85mm

Inlet: #8 FOR
Outlet: #10 MIOR

R12 Fitting Profile



EV3521

Toyota Paseo EL54, 12/95-12/99

Length: 220mm
Height: 255mm
Thickness: 90mm

Inlet: Pad
Outlet: Pad

TX0030
 RD4040



EV3405

Toyota Paseo EL44, 4/91-8/93

Length: 220mm
Height: 255mm
Thickness: 90mm

Inlet: Pad
Outlet: Pad

R12 Fitting Profile
 RD7003



EV3354

Toyota Prado GRJ150R, KDJ150R, 11/09>

Length: 285mm
Height: 262mm
Thickness: 38mm

Inlet: Pad
Outlet: Pad

TX3030
 RD4050
 88501-60420




EV3320
Toyota Prado KZJ120R, GRJ120R, RZJ120R, 9/02-10/09

Length: 295mm
Height: 260mm
Thickness: 40mm

Inlet: Pad
Outlet: Pad

TX2940
RD4051




EV3340
Toyota Prado KDJ120R, 11/06-10/09

Length: 280mm
Height: 210mm
Thickness: 38mm

Inlet: Pad
Outlet: Pad

TX2940
RD4051

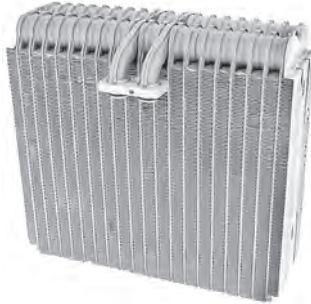


EV3306
Toyota Prado KZJ95, RZJ95, VZJ95, 5/96-2/03

Length: 260mm
Height: 240mm
Thickness: 90mm

Inlet: Pad
Outlet: Pad

TX1007
88501-35040




EV3365
Toyota Prado RZJ95, VZJ95, KZJ95, 5/96-2/03

Length: 205mm
Height: 156mm
Thickness: 90mm

Inlet: Pad
Outlet: Pad

Rear cooling unit
TX0020
88501-60140




EV3450
Toyota Prius ZVW30R, 4/09>

Length: 295mm
Height: 234mm
Thickness: 38mm

Inlet: Pad
Outlet: Pad

TX1000
RD4085
88501-47050




EV3486
Toyota Prius NHW11R, NHW20R, 10/01-6/09

Length: 260mm
Height: 260mm
Thickness: 38mm

Inlet: Pad
Outlet: Pad

88501-47030




EV3544
Toyota Rav4 ACA33R, 2.4Lt, 2/06>

Length: 285mm
Height: 235mm
Thickness: 40mm

Inlet: Pad
Outlet: Pad


TX3070



EV3542
Toyota Rav4 ACA21, ACA23, 2.4Lt, 03-1/06

Length: 270mm
Height: 255mm
Thickness: 60mm

Inlet: Pad
Outlet: Pad




EV3541
Toyota Rav4 ACA20, ACA21, 8/00>

Length: 265mm
Height: 255mm
Thickness: 60mm

Inlet: Pad
Outlet: Pad

TX1760, TX1790




EV3520
Toyota Rav4 SXA10R, SXA11R, 9/96-10/00

Length: 220mm
Height: 255mm
Thickness: 90mm

Inlet: Pad
Outlet: Pad

RD8070, RD7001



EV3521
Toyota Rav4, 3/94-8/97

Length: 220mm
Height: 255mm
Thickness: 90mm

Inlet: Pad
Outlet: Pad

TX0030
RD4040



EV1211
Toyota Rukus AZE15R, 5/10>

Length: 290mm
Height: 235mm
Thickness: 38mm

Inlet: Pad
Outlet: Pad



EV3454
Toyota Rukus AZE15R, 5/10>

Length: 290mm
Height: 235mm
Thickness: 38mm

Inlet: Pad
Outlet: Pad

With auto A/C
TX0520
88501-72020



EV3529
Toyota Soarer, 91

Length: 290mm
Height: 248mm
Thickness: 90mm

Inlet: Pad
Outlet: Pad

R12 Fitting Profile
TX1730, TX1006
RD7005



EV3531
Toyota Spacia SR40, 1/98>

Length: 150mm
Height: 255mm
Thickness: 90mm

Inlet: Pad
Outlet: Pad

RD7054



EV3532
Toyota Spacia SR40, 1/98>

Length: 220mm
Height: 295mm
Thickness: 105mm

Inlet: Pad
Outlet: Pad

RD7054



EV3506
Toyota Spacia YR22, 8/93-7/97

Length: 245mm
Height: 195mm
Thickness: 105mm

Inlet: Pad
Outlet: Pad



EV3530
Toyota Starlet EP91R, 1/96-10/99

Length: 220mm
Height: 255mm
Thickness: 90mm

Inlet: Pad
Outlet: Pad

TX0030
RD8030



EV3540
Toyota Tarago ACR30, 6/00-2/06

Length: 262mm
Height: 275mm
Thickness: 60mm

Inlet: Pad
Outlet: Pad

TX1035
RD4040
CF6302P



EV3305
Toyota Tarago TCR10R, TCR11R, 8/93-8/00

Length: 315mm
Height: 235mm
Thickness: 105mm

Inlet: Pad
Outlet: Pad

TX1730, TX1006




EV3404
 Toyota Tarago TCR10R, TCR11R, TCR20R, TCR21R, 9/90-8/93

Length: 315mm
 Height: 245mm
 Thickness: 110mm

Inlet: Pad
 Outlet: Pad

TX1730
 RD7063



EV3442
 Toyota Tarago CR, YR, 7/83-12/90

Length: 240mm
 Height: 210mm
 Thickness: 85mm

Inlet: #8 FOR
 Outlet: #10 MIOR


RD6310



EV3532
 Toyota Townace KR42, 10/96-2/05

Length: 220mm
 Height: 295mm
 Thickness: 105mm

Inlet: Pad
 Outlet: Pad




EV3506
 Toyota Townace YR39, 8/93-10/96

Length: 245mm
 Height: 195mm
 Thickness: 105mm

Inlet: Pad
 Outlet: Pad

RD7054



EV3590
 Toyota Yaris NCP130R, NCP131R, 11/11>

Length:
 Height:
 Thickness:

Inlet:
 Outlet:

TX3700
 RD4070




EV1990
 Toyota Yaris NCP90R, NCP91R, NCP93R, 11/05>

Length: 276mm
 Height: 210mm
 Thickness: 40mm

Inlet: Pad
 Outlet: Pad

TX3070




Volkswagen/Volvo

EV3169
 Volkswagen Golf, 00>
 Volkswagen Bora
 Volkswagen Beetle

Length: 212mm
 Height: 226mm
 Thickness: 75mm

Inlet: Pad
 Outlet: Pad

TX5016
 RD5401
 1J2820024
 CF7001P, CF7001C




EV3156
 Volkswagen Passat V6, 97-05

Length: 340mm
 Height: 200mm
 Thickness: 73mm

Inlet: Pad
 Outlet: Pad

8D2820103F
 CF7000P, CF7000C




EV6339
 Volkswagen Polo (9N), 02>

Length: 232mm
 Height: 235mm
 Thickness: 65mm

Inlet: Pad
 Outlet: Pad

Includes TXV
 RD4408
 6Q0820103 (B)



EV3780
Volkswagen Transporter

Length: 250mm
Height: 205mm
Thickness: 90mm

Inlet: Pad
Outlet: Pad

Denso system
TX0030
RD8070



EV3143
Volvo 850
Volvo S70
Volvo V70

Length: 220mm
Height: 238mm
Thickness: 92mm

Inlet: FSL
Outlet: FSL

RD7055, RD7092



EV3211
Volvo S80

Length: 303mm
Height: 236mm
Thickness: 65mm

Inlet: Pad
Outlet: Pad

TX5021
RD7092



EV3141
Volvo 700 Series, 92-93

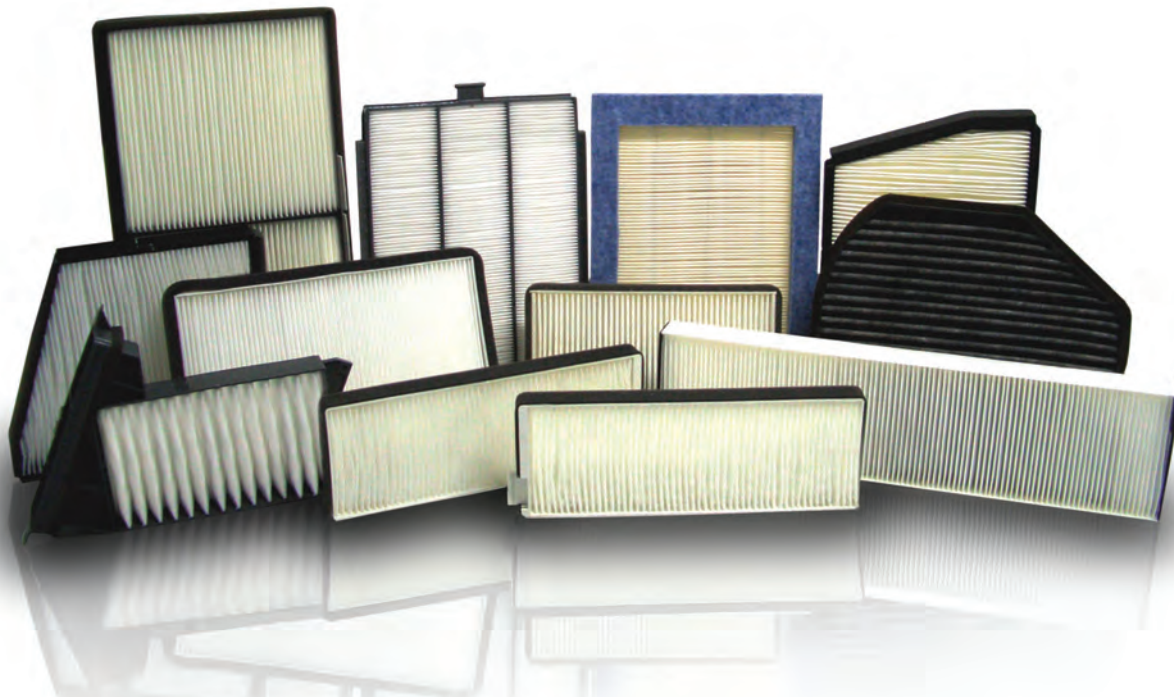
Length: 343mm
Height: 238mm
Thickness: 73mm

Inlet: #8 MIOR
Outlet: #10 MIOR



Cabin Filters

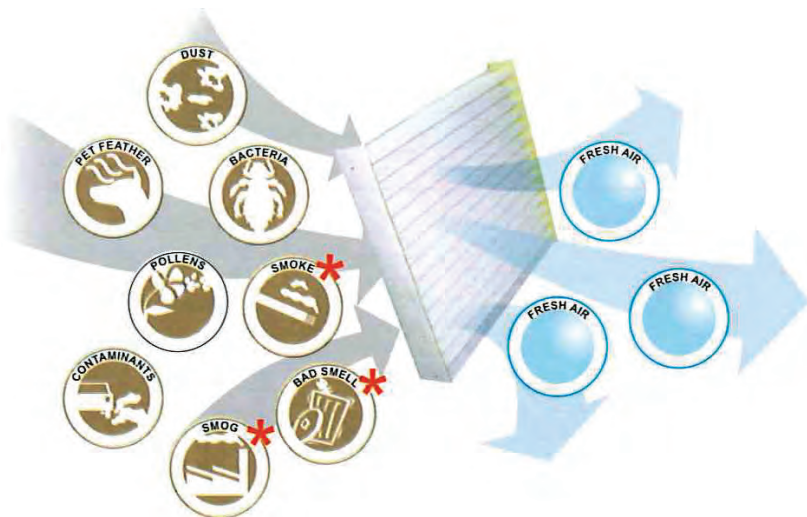
Contact CoolDrive Sales team for more detail on our extensive range of quality Cabin Filters.



Jayair cabin filters are designed to reduce the amount of harmful contaminants entering into your vehicle via the heating, ventilation and air-conditioning system, providing a cleaner and healthier breathing environment for you and your passengers.

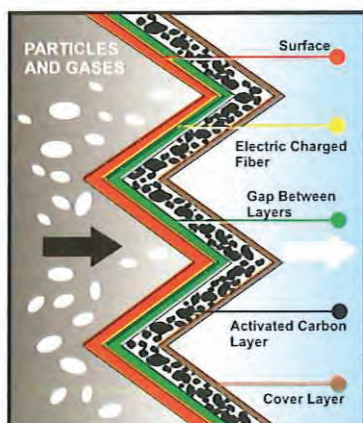
Manufactured from unique non woven materials, cabin filters ensure ambient borne air pollutants such as soot, road dust and other solid particles do not enter your vehicle's cabin.

Carbon activated filters are also available and incorporate a high quality carbon activated layer to absorb airborne gases such as polluted ozone, benzene and unpleasant vehicle emissions.

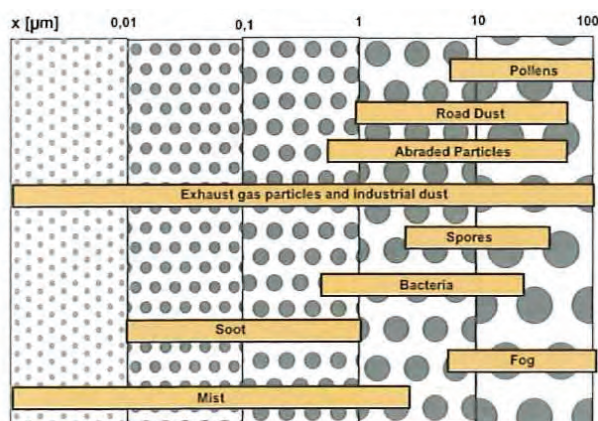


* Applies to Carbon Activated only

Activated Carbon Filter



Diameter in microns (µm)



Make & Model	Year	Part No.	Description	Page No.
Audi				
80	8/78-3/87	EF1430	Radiator Fan Motor & Blade	445
80	8/84-8/86	EF1218	Radiator Fan Motor & Blade	445
80	86-95	EF1308	Radiator Fan Motor & Blade	445
80	86-95	EF1217	Radiator Fan Motor & Blade	445
90	87>	EF1308	Radiator Fan Motor & Blade	445
90	87>	EF1217	Radiator Fan Motor & Blade	445
100	82-90	EF1308	Radiator Fan Motor & Blade	445
100	71-76	EF1217	Radiator Fan Motor & Blade	445
A3	9/98>	EF1216	Radiator Fan Motor & Blade	445
A4	7/02-3/09	EF1312	Radiator Fan	445
A4	95-00	EF1310	Condenser Fan	445
A6, 3.0, 3.2Lt	09-11	EF1432	Dual Assembly	445
Q7	3/06-5/11	EF1219	Radiator Fan Motor & Blade	445
Q7	3/06>	EF1425	Radiator Fan Motor & Blade	446
Q7	3/06>	EF1426	Radiator Fan Motor & Blade	446
S4	04-09	EF1312	Radiator Fan	445
TT	9/98>	EF1216	Radiator Fan Motor & Blade	445
BMW				
3 Series, E30, 318i, 323i	82-87	EF6511	Condenser Fan	446
3 Series, E36, 4 cyl	95-02	EF6514	Condenser Fan	446
3 Series, E36	93-99	EF6501	Condenser Fan	446
3 Series, E36	93-95	EF6550	Radiator Fan	446
3 Series, E46	98-05	EF6550	Radiator Fan	446
3 Series, E46	98-5/05	EF6515	Condenser Fan	446
3 Series, E46, 318i	98-03	EF1155	Radiator Fan Motor & Blade	446
3 Series, E46, 318i	98-03	EF6555	Radiator Fan	446
5 Series, E39	96-9/98	EF1088	Condenser Fan	447
5 Series, E34	88-96	EF6503	Condenser Fan	447
7 Series, E32	88-96	EF6503	Condenser Fan	447
X5, 3.0, 4.4Lt Petrol	00-04	EF6513	Condenser Fan	447
X5, 3.0Lt Diesel	00-04	EF6512	Condenser Fan	447
Chrysler				
Crossfire	03>	EF1337	Radiator Fan	447
PT Cruiser	01-02	EF1159	Condenser Fan	447
Voyager, 4 & 6 cyl	01-02	EF1383	Condenser Fan	447
Voyager, 4 & 6 cyl	01-02	EF1384	Radiator Fan	447
Voyager, V6	96-99	EF1158	Dual Assembly	447
Citroen				
Berlingo	11/02>	EF1367	Radiator Fan	448
C5	00-05	EF1366	Radiator Fan	448

Make & Model	Year	Part No.	Description	Page No.
Daewoo				
Cielo, 1.5Lt	>97	EF1122	Condenser Fan	448
Espero, 1.5Lt	>97	EF1122	Condenser Fan	448
Kalos	05>	EF5146	Radiator Fan	448
Lanos	97>	EF1179	Radiator Fan	448
Lanos	97>	EF1120	Condenser Fan	448
Leganza, 2.0Lt	97-01	EF1178	Condenser Fan	448
Nubira Series I & II, 2.0Lt	97-01	EF1178	Condenser Fan	448
Daihatsu				
Charade	02>	EF3912	Radiator Fan	448
Sirion	97>	EF3911	Radiator Fan	449
Sirion, 1.0Lt		EF3930	Condenser Fan	449
Sirion, 1.3Lt		EF3910	Condenser Fan	449
Doosan				
Solar V Excavator		EF1011	Condenser Fan	449
Ford				
Escape, 3.0Lt, V6	01>	EF5375	Dual Assembly	449
Falcon BF, FG	05>	EF8004	Radiator Fan	449
Falcon BF, FG	05>	EF8005	Radiator Fan	449
Falcon BA II, BF	5/05>	EM5512	Radiator Fan Motor	449
Falcon BA, 6 & 8 cyl	02-04	EF8003	Dual Assembly	449
Falcon AU	99-02	EF8002	Dual Assembly	450
Falcon AU, BA	99-04	EF5528	Radiator Fan Blade	450
Falcon AU, BA	99-04	EM5510	Radiator Fan Motor	450
Falcon AU, BA	99-04	EM5511	Radiator Fan Motor	450
Falcon EL, XH 6 cyl	95-97	EF3034	Dual Assembly	450
Falcon EL	95-97	EM5503	Radiator Fan Motor	450
Falcon EL	95-97	EM5504	Radiator Fan Motor	450
Falcon EF, EL	94-97	EF5515	Radiator Fan Blade	450
Falcon EF	94-95	EF3031	Dual Assembly	450
Falcon EF	94-95	EM5500	Radiator Fan Motor	450
Falcon EA, EB, ED	3/88-8/94	HF9009	Radiator Fan Blade	451
Falcon XG Ute, MPI	3/93-3/96	HF9009	Radiator Fan Blade	451
Festiva WF	4/98 >	EF1121	Condenser Fan	451
Festiva WB	94-98	EF1150	Radiator Fan	451
Festiva, 1.3Lt	88-93	EF1100	Radiator Fan	451
Festiva	88-93	EF1400	Condenser Fan	451
Focus, 2.0Lt	5/05>	EF5385	Radiator Fan	451
Focus, 1.8, 2.0Lt	9/02-4/05	EF1231	Dual Assembly	451
Laser KJ, KN, KQ	1/98>	EF5379	Condenser Fan	451
Laser KN, 1.8Lt	97>	EF5372	Radiator Fan Blade	451

Make & Model	Year	Part No.	Description	Page No.
Laser KN, 1.8Lt	97>	EF5373	Condenser Fan Shroud	451
Laser KJ Liata	95-98	EF5020	Condenser Fan	452
Laser KJ Liata, 1.8Lt	95-98	EF1151	Radiator Fan	452
Laser KJ, 1.8Lt	94-99	EF5371	Radiator Fan Blade	452
Laser KF, KH	90-95	EF1089	Radiator Fan	452
Laser KF, KH, 1.6Lt	90-95	EF1135	Condenser Fan	452
Mondeo HE	2/00-12/00	EF1232	Radiator Fan	452
Mondeo, HA, HB, HC, HD	7/95-2/00	EF1165	Dual Assembly	452
Telstar AR	83-86	EF1097	Radiator Fan	452
Territory, SX, SY 4.0Lt 6 cyl	5/04-4/11	EF8003	Dual Assembly	452
Transit, 2.3Lt Petrol	12/00-10/06	EF1163	Radiator Fan	452
Transit, 2.3Lt Petrol	12/00-10/06	EF1164	Condenser Fan	453
Transit, 2.4Lt Diesel	01>	EF1233	Radiator Fan	453
Hino				
Hino		EM2030	Condenser Fan Motor	453
Hino		EM5460	Radiator Fan Motor	453
Dutro	06>	EF3722	Condenser Fan	453
Dutro	06>	EF3730	Condenser Fan Blade	453
Dutro	06>	EM3700	Radiator Fan Motor	453
FC	97>	EM5592	Condenser Fan Motor	453
Ranger	06>	EM1290	Condenser Fan Motor	453
Ranger	00>	EM1220	Condenser Fan Motor	454
SS Ranger 50 series	00>	EF0670	Condenser Fan Blade	454
Holden				
Adventra VZ, 6 & 8 cyl	04-06	EF1198	Radiator Fan Shroud	457
Adventra VZ, V6	04-06	EF2748	Radiator Fan Motor & Blade	458
Adventra VZ, V6	04-06	EF2747	Radiator Fan Motor & Blade	458
Adventra VZ, V8	04-06	EF2750	Radiator Fan Motor & Blade	458
Adventra VZ, V8	04-06	EF2749	Radiator Fan Motor & Blade	458
Adventra VY, V8	02-04	EF3753	Dual Assembly	458
Adventra VY, V6	02-04	EF3751	Dual Assembly	458
Astra AH	12/04>	EF1251	Radiator Fan Motor & Blade	454
Astra AH	12/04>	EF1253	Radiator Fan Motor & Blade	454
Astra AH	12/04>	EF1257	Condenser Fan Shroud	454
Astra AH	12/04>	EF1255	Condenser Fan Motor & Blade	454
Astra AH	11/04-12/04	EF1256	Radiator Fan Shroud	454
Astra AH	11/04-12/04	EF1250	Radiator Fan Motor & Blade	454
Astra AH	11/04-12/04	EF1252	Radiator Fan Motor & Blade	454
Astra AH	11/04-12/04	EF1254	Condenser Fan Motor & Blade	455
Astra TS, 2.2Lt	00-09	EF1244	Radiator Fan Motor & Blade	455
Astra TS, 2.2Lt	9/00-1/09	EF1243	Radiator Fan Motor & Blade	455

Make & Model	Year	Part No.	Description	Page No.
Astra Convertible Turbo	00-05	EF1243	Radiator Fan Motor & Blade	455
Astra TS, 2.2Lt	9/00-1/09	EF1242	Condenser Fan Motor & Blade	455
Astra TS	98-05	EF1246	Radiator Fan Motor & Blade	455
Astra TS	9/98-11/01	EF2754	Condenser Fan Shroud	455
Astra TS	9/98-11/01	EF2753	Condenser Fan Motor & Blade	455
Astra TS	10/98>	EF1249	Radiator Fan	455
Astra TS	10/98>	EF1130	Condenser Fan	455
Astra TR	9/96-9/98	EF1245	Radiator Fan	455
Astra	>9/98	EF1241	Radiator Fan Motor & Blade	456
Barina TK, 1.6Lt	12/05>	EF5146	Radiator Fan	456
Barina TK, 1.6Lt	12/05>	EF1213	Radiator Fan Shroud	456
Barina XC	9/01-12/05	EF1193	Condenser Fan	456
Barina XC	9/01-12/05	EF1180	Radiator Fan	456
Barina XC, 1.4, 1.8Lt	9/01-12/05	EF1181	Condenser Fan	456
Barina SB	5/94-2/01	EF5144	Radiator Fan	456
Barina SB	5/94-2/01	EF5147	Radiator Fan	456
Barina SB	5/94-2/01	EF1247	Radiator Fan Motor & Blade	456
Barina SB	5/94-2/01	EF5150	Condenser Fan	456
Barina	4/94-2/01	EF1194	Condenser Fan	457
Calibra	6/90-7/97	EF1241	Radiator Fan Motor & Blade	457
Captiva Diesel	3/07>	EF5590	Dual Assembly	457
Captiva Petrol	10/06>	EF5591	Dual Assembly	457
Combo	3/96-9/02	EF1247	Radiator Fan Motor & Blade	456
Combo	3/96-9/02	EF5150	Condenser Fan	456
Commodore VE, V6	8/06>	EF2533	Dual Assembly	457
Commodore VE, V8	8/06>	EF2534	Dual Assembly	457
Commodore VZ, V8	04-06	EF3747	Dual Assembly	457
Commodore VZ, V8	04-06	EF3749	Dual Assembly	457
Commodore VZ, V6	04-06	EF3745	Dual Assembly	457
Commodore VZ, 6 & 8 cyl	04-06	EF1198	Radiator Fan Shroud	457
Commodore VZ, V8	04-06	EF2748	Radiator Fan Motor & Blade	458
Commodore VZ, V8	04-06	EF2747	Radiator Fan Motor & Blade	458
Commodore VZ, V6	04-06	EF2745	Radiator Fan Motor & Blade	458
Commodore VZ, V6	04-06	EF2746	Radiator Fan Motor & Blade	458
Commodore VY, V8	02-04	EF3743	Dual Assembly	458
Commodore VY, V6	02-04	EF3741	Dual Assembly	458
Commodore VY, V8	02-04	EF1197	Radiator Fan Shroud	459
Commodore VY, V6	02-04	EF1196	Radiator Fan Shroud	459
Commodore VY, V8	02-04	EF2743	Radiator Fan Motor & Blade	459
Commodore VY, V8	02-04	EF2744	Radiator Fan Motor & Blade	459
Commodore VY, V6	97>	EF2741	Radiator Fan Motor & Blade	459

Make & Model	Year	Part No.	Description	Page No.
Commodore VY, V6	02-04	EF2742	Radiator Fan Motor & Blade	459
Commodore VX, V6	00-02	EF1195	Dual Assembly	459
Commodore VT, V6	97-00	EF1195	Dual Assembly	459
Commodore VT, V6	97-00	EF1186	Dual Assembly	459
Commodore VT	97-00	EF4180	Radiator Fan Shroud	459
Commodore VT, VX, V8	97-02	EF4180	Radiator Fan Shroud	459
Commodore VT, VX	97-02	EF5850	Radiator Fan Shroud	459
Commodore VT, VX	97-02	EF1710	Radiator Fan Blade	459
Commodore VT, VX, VU, 5.7Lt V8	98>	EM6520	Radiator Fan Motor	459
Commodore VT, V6	97>	EM6430	Radiator Fan Motor	460
Commodore VT, V6	97-00	EM1150	Radiator Fan Motor	460
Commodore VX, VU, V6	97-02	EM1150	Radiator Fan Motor	460
Commodore VT, V6	97-00	EM5280	Radiator Fan Motor	460
Commodore VX, VU, V6	97-02	EM5280	Radiator Fan Motor	460
Commodore VT, V6	97-00	EF2740	Radiator Fan Blade	460
Commodore VX, VU, V8	97-02	EF2740	Radiator Fan Blade	460
Commodore VT, V6	97-00	EF1280	Radiator Fan Blade	460
Commodore VX, VU, V6	97-02	EF1280	Radiator Fan Blade	460
Commodore VT, V6, V8	97-00	EF1990	Radiator Fan Blade	460
Commodore VX, VU, V8	97-02	EF1990	Radiator Fan Blade	460
Commodore VS, V6	4/95-8/97	EF1185	Radiator Fan	460
Commodore VS, V6	4/95-8/97	EF2530	Radiator Fan Shroud	460
Commodore VS, V6	4/95-8/97	EM6331	Radiator Fan Motor	461
Commodore VS, V6	4/95-8/97	EF2660	Radiator Fan Blade	461
Commodore VR, VS, 6 & 8 cyl	7/93-3/97	EF1114	Condenser Fan	461
Commodore VP V8	>3/93	EF1114	Condenser Fan	461
Commodore VN, VP, VR	8/88-4/95	EF1184	Radiator Fan	461
Commodore VN, VP, VR	8/88-4/95	EF2529	Radiator Fan Shroud	461
Commodore VN, VP, VR	8/88-4/95	EM6332	Radiator Fan Motor	461
Commodore VN, VP, VR	8/88-4/95	EF2659	Radiator Fan Blade	461
Commodore VL, 6 cyl	84-86	HF9005M	Radiator Fan Blade	461
Crewman VZ, 6 & 8 cyl	04-06	EF1198	Radiator Fan Shroud	457
Crewman VZ, V6	04-06	EF2748	Radiator Fan Motor & Blade	458
Crewman VZ, V6	04-06	EF2747	Radiator Fan Motor & Blade	458
Crewman VZ, V8	04-06	EF2750	Radiator Fan Motor & Blade	458
Crewman VZ, V8	04-06	EF2749	Radiator Fan Motor & Blade	458
Crewman VY, V8	02-04	EF3753	Dual Assembly	458
Crewman VY, V6	02-04	EF3751	Dual Assembly	458
Cruze JG, 2.0Lt Diesel	6/09	EF1382	Radiator Fan Shroud	461
Cruze JG, 2.0Lt Diesel	6/09	EF1381	Radiator Fan Motor & Blade	461
Cruze JG, 2.0Lt Diesel	6/09	EF1380	Radiator Fan Motor & Blade	462



Make & Model	Year	Part No.	Description	Page No.
Cruze YG	6/02-6/06	EF1350	Condenser Fan	462
Nova LE, LF, 1.6Lt	8/89-10/94	EF1103	Radiator Fan	462
Nova LE, LF, 1.6Lt	8/89-10/94	EF1116	Condenser Fan	462
Rodeo RA03	3/03	EF1190	Condenser Fan	462
Statesman WH, V8	5/00-4/03	EF2743	Radiator Fan Motor & Blade	459
Statesman WH, V8	5/00-4/03	EF2744	Radiator Fan Motor & Blade	459
Statesman VQ, V8	11/91-2/94	EF1114	Condenser Fan	462
Vectra JR, JS, 2.0Lt	6/97>	EF1168	Radiator Fan	462
Vectra JR, JS, 2.0,2.2,2.6Lt	6/97>	EF1142	Radiator Fan Shroud	462
Vectra JR, JS, 2.0Lt	6/97>	EF1169	Condenser Fan	462
Vectra JR, JS, 2.2,2.6Lt	6/97>	EF1140	Condenser Fan Motor & Blade	462
Vectra	9/88-11/95	EF1241	Radiator Fan Motor & Blade	463
Zafira TT, 2.2Lt	6/01-5/06	EF1249	Radiator Fan	463
Zafira TT, 2.2Lt	6/01-5/06	EF1244	Radiator Fan Motor & Blade	463
Zafira TT, 2.2Lt	6/01-5/06	EF1130	Condenser Fan	463
Zafira TT, 2.2Lt	6/01-5/06	EF1242	Condenser Fan Motor & Blade	463
Honda				
Accord Euro	08>	EF1535	Radiator Fan	464
Accord Euro	08>	EF1536	Radiator Fan Shroud	464
Accord Euro	08>	EM8680	Radiator Fan Motor	464
Accord Euro	08>	EM8650	Radiator Fan Motor	464
Accord Euro	08>	EF1537	Radiator Fan Blade	464
Accord Euro	08>	EF1540	Condenser Fan	464
Accord Euro	08>	EF1542	Condenser Fan Shroud	464
Accord Euro	08>	EF1543	Condenser Fan Blade	464
Accord Euro	02>	EF1262	Radiator Fan	464
Accord, V6	08>	EF1545	Radiator Fan	463
Accord, V6	08>	EF1546	Radiator Fan Shroud	463
Accord, V6	08>	EM8671	Radiator Fan Motor	463
Accord, V6	08>	EF1547	Radiator Fan Blade	463
Accord, V6	98-02	EF1147	Radiator Fan	464
Accord	93-97	EF5267	Condenser Fan	465
Accord	93-98	EF5268	Radiator Fan	465
Accord	90-94	EF1102	Radiator Fan	465
Accord	90-94	EF1113	Condenser Fan	465
Accord	86-89	EF1101	Radiator Fan	465
Civic	06>	EF4810	Condenser Fan	465
Civic	06>	EF3120	Condenser Fan Shroud	465
Civic	06>	EM3200	Condenser Fan Motor	465
Civic	06>	EF6350	Condenser Fan Blade	465
Civic, Hybrid	04>	EF1550	Radiator Fan	465

Make & Model	Year	Part No.	Description	Page No.
Civic, Hybrid	04>	EF1552	Radiator Fan Shroud	466
Civic, Hybrid	04>	EM5750	Radiator Fan Motor	466
Civic, Hybrid	04>	EF1557	Radiator Fan Blade	466
Civic Sedan	00-06	EF5269	Radiator Fan	466
Civic Hatchback	00-01	EF5269	Radiator Fan	466
Civic	00-02	EF1146	Condenser Fan	466
Civic	92-3/96	EF1093	Condenser Fan	466
CRV	02-5/05	EF1268	Radiator Fan	466
CRV	02>	EM2575	Radiator Fan Motor	466
CRV	02-5/05	EF1269	Condenser Fan	466
CRV	02>	EM2570	Condenser Fan Motor	466
CRV	97-01	EF1172	Radiator Fan	467
CRV	97-01	EF1173	Condenser Fan	467
Integra	02>	EF1263	Radiator Fan	467
Integra	97-01	EF1173	Condenser Fan	467
Integra	97-99	EF1145	Radiator Fan	467
Integra	95>	EF1267	Radiator Fan	467
Integra	94-01	EF1144	Radiator Fan	467
Jazz	8/08>	EF3182	Condenser Fan	467
Jazz	8/08>	EM8930	Fan Motor	467
Jazz	07>	EM3070	Condenser Fan Motor	467
Legend	96-98	EF1261	Radiator Fan	468
Odyssey	03>	EF1266	Condenser Fan	468
Odyssey	98>	EM5040	Condenser Fan Motor	468
Odyssey	98>	EF2170	Radiator Fan	468
Odyssey		EF1264	Radiator Fan	468
Prelude	96-98	EF1261	Radiator Fan	468
Prelude		EM4650	Radiator Fan Motor	468
S2000		EF2165	Condenser Fan	468
Hyundai				
Accent, Sedan	06-08	EF1377	Condenser Fan	468
Accent, Hatchback	06-08	EF1377	Condenser Fan	468
Accent	6/00>	EF1370	Radiator Fan	469
Accent	6/00>	EF1373	Radiator Fan Shroud	469
Accent	6/00>	EF1376	Radiator Fan Blade	469
Accent	6/00>	EF1200	Condenser Fan	469
Accent	6/00>	EF1374	Condenser Fan Shroud	469
Accent	6/00>	EF1201	Condenser Fan	469
Accent	6/00>	EF1375	Condenser Fan Shroud	469
Accent	6/00>	EF1203	Condenser Fan Blade	469
Elantra MD	6/11>	EF1285	Radiator Fan	469

Make & Model	Year	Part No.	Description	Page No.
Elantra	00-02	EF1277	Radiator Fan	469
Elantra	00-02	EF1276	Condenser Fan	470
Excel	10/94-99	EF1189	Radiator Fan	470
Excel	8/94-9/99	EF1118	Condenser Fan	470
Excel X3, 1.5Lt	8/94-9/99	EF1275	Radiator Fan	470
Excel X3, 1.5Lt	8/94-9/99	EM2202	Radiator Fan Motor	470
Excel X2, 1.5Lt EFI	6/89-7/94	EF1138	Condenser Fan	470
Getz	02>	EF1279	Condenser Fan	470
Grandeur XG30	7/99>	EF1129	Condenser Fan	470
i30, Petrol	10/07>	EF1278	Radiator Fan	470
i30	6/06>	EF1368	Radiator Fan	470
Lantra J2	5/95-6/00	EF1183	Radiator Fan	471
Lantra J2	5/95-5/00	EF1124	Condenser Fan	471
Lantra	5/93-5/95	EF1125	Condenser Fan	471
Lavita	5/01>	EF1202	Condenser Fan	471
RD Coupe	5/96>	EF1124	Condenser Fan	472
RD Coupe	5/96>	EF1183	Radiator Fan	472
S Coupe	7/92-3/96	EF1134	Condenser Fan	471
S Coupe	3/90-7/92	EF1138	Condenser Fan	471
Santa Fe	02-03	EF1271	Radiator Fan	471
Santa Fe	02-03	EF1270	Condenser Fan	471
Sonata	99-02	EF1273	Condenser Fan	471
Sonata EF, 4 cyl 2.0Lt	5/98-9/01	EF1182	Radiator Fan	471
Sonata EF Facelift	4/01>	EF1182	Radiator Fan	471
Sonata EF Facelift	4/01>	EF1129	Condenser Fan	472
Sonata EF, 4 cyl 2.0Lt	5/98-9/01	EF1129	Condenser Fan	472
Sonata I & II, 4 cyl 2.0Lt	7/93-4/98	EF1132	Condenser Fan	472
Trajet	3/00>	EF1182	Radiator Fan	471
Trajet	3/00	EF1129	Condenser Fan	472
Tucson	04>	EF1207	Radiator Fan	472
Isuzu				
CXZ	06>	EM1320	Radiator Fan Motor	472
Isuzu		EM8490	Condenser Fan Motor	472
Iveco				
Iveco		EF0736	Condenser Fan	472
Jeep				
Cherokee	88-96	EF1160	Condenser Fan	473
Grand Cherokee	09-10	EF5540	Condenser Fan	473
Grand Cherokee, V6 4.0Lt	97-01	EF1210	Condenser Fan	473
Kia				
Carnival	9/01>	EF1206	Condenser Fan	473

Make & Model	Year	Part No.	Description	Page No.
Carnival	98-4/01	EF1205	Radiator Fan	473
Carnival		EF1223	Condenser Fan	473
Mentor Series I	97-4/98	EF0039	Condenser Fan	473
Mentor Series I	97-4/98	EM0001	Condenser Fan Motor	473
Optima	9/02>	EF1129	Condenser Fan	473
Optima	2/01-6/01	EF1182	Radiator Fan	473
Rio, 1.6Lt 4 cyl	7/05>	EF1228	Radiator Fan	474
Rio, 1.5Lt 4 cyl	7/05>	EF1224	Radiator Fan	474
Rio, 1.5Lt 4 cyl	1/03-7/05	EF1087	Condenser Fan	474
Rio	01-03	EF1220	Condenser Fan	474
Shuma	1/00-4/01	EF1222	Radiator Fan	474
Shuma	1/00-4/01	EF1221	Condenser Fan	474
Spectra	5/01-6/04	EF1222	Radiator Fan	474
Spectra	5/01-6/04	EF1221	Condenser Fan	474
Sportage Series I & II	12/96-10/97	EF0055	Condenser Fan	474
Land Rover				
Discovery	95-98	EM2321	Condenser Fan Motor	474
Lexus				
ES300	02-03	EF2171	Dual Assembly	474
ES300	99-01	EF2172	Radiator Fan	475
IS200, GXE10R	3/99-10/05	EF2168	Dual Assembly	475
IS300	8/01-10/05	EF2174	Dual Assembly	475
IS350, GSE21R	10/10>	EF2381	Dual Assembly	475
IS350, GSE21R	10/10>	EF2385	Radiator Fan Shroud	475
RX330, MCU38R	4/03-1/06	EF2173	Dual Assembly	475
RX350, GSU35R	2/06-1/09	EF2151	Dual Assembly	475
RX350, GSU35R	2/06-1/09	EF2152	Radiator Fan Shroud	475
RX350, GSU35R	2/06-1/09	EM7140	Radiator Fan Motor	475
RX350, GSU35R	2/06-1/09	EM8250	Radiator Fan Motor	475
RX350, GSU35R	2/06-1/09	EF2155	Radiator Fan Blade	476
RX350, GSU35R	2/06-1/09	EF2157	Radiator Fan Blade	476
RX450H, GLY15R	6/09>	EF2361	Radiator Fan Shroud	476
RX450H, GLY15R	6/09>	EM4780	Radiator Fan Motor	476
RX450H, GLY15R	6/09>	EM5270	Radiator Fan Motor	476
RX450H, GLY15R	6/09>	EF2363	Radiator Fan Blade	476
RX450H, GLY15R	6/09>	EF2365	Radiator Fan Blade	476
Mazda				
121, 1.3Lt	8/94-96	EM0001	Condenser Fan Motor	476
121	91-95	EF1400	Condenser Fan	476
121	88-93	EF1100	Radiator Fan	477
323 Astina BJ, 1.6, 1.8, 2.0Lt	9/98>	EF1148	Radiator Fan	477

Make & Model	Year	Part No.	Description	Page No.
323 Astina BJ, 1.6, 1.8Lt	9/98>	EF5379	Condenser Fan	477
323 Astina BA	7/94-9/98	EF3371	Condenser Fan	478
323 Astina, 1.8Lt Hatch	92>	EM6010	Radiator Fan Motor	478
323 Protégé BJ, 1.6, 1.8, 2.0Lt	98>	EF1148	Radiator Fan	477
323 Protégé BJ, 1.6, 1.8Lt	98>	EF5379	Condenser Fan	477
323 Protégé BA, 1.8Lt	7/94-9/98	EF1149	Condenser Fan	478
323 Protégé BA, 1.8Lt	7/94-9/98	EF1151	Radiator Fan	478
323 BJ	9/98>	EF5381	Radiator Fan	478
323 BJ, 1.8Lt	9/98>	EF5372	Radiator Fan Blade	478
323 BJ, 1.8Lt	9/98>	EF5373	Condenser Fan Shroud	478
323 BA	7/94-9/98	EF1151	Radiator Fan	478
323 BA	7/94-9/98	EF1149	Condenser Fan	478
323, 1.6Lt	90-95	EF1089	Radiator Fan	478
323, 1.6Lt	90-95	EF1135	Condenser Fan	478
626 GF	6/97>	EF5035	Condenser Fan	480
626 V6		EFFA14	Condenser Fan	480
626	83-86	EF1097	Radiator Fan	480
CX-9	12/07>	EF1299	Radiator Fan Shroud	480
CX-9	12/07>	EM5100	Radiator Fan Motor	480
CX-9	12/07>	EM5110	Radiator Fan Motor	480
CX-9	12/07>	EF7040	Radiator Fan Blade	480
CX-9	12/07>	EF7520	Radiator Fan Blade	481
CX-7	11/06>	EF1296	Dual Assembly	481
CX-7	11/06>	EF1295	Radiator Fan Shroud	481
CX-7	11/06>	EM5141	Radiator Fan Motor	481
CX-7	11/06>	EM5340	Radiator Fan Motor	481
CX-7	11/06>	EF1294	Radiator Fan Blade	481
CX-7	11/06>	EF1297	Radiator Fan Blade	481
Mazda 2	9/07>	EF1282	Radiator Fan	477
Mazda 2	9/07>	EF1284	Radiator Fan Shroud	477
Mazda 2	9/07>	EM8310	Radiator Fan Motor	477
Mazda 2	9/07>	EF1293	Radiator Fan Blade	477
Mazda 2 series I & II	12/02-8/07	EF1283	Radiator Fan	477
Mazda 3, 2.0, 2.3Lt	04>	EF5385	Radiator Fan	477
Mazda 3, 2.0, 2.3Lt	04>	EF5388	Radiator Fan Shroud	477
Mazda 6	12/07>	EF2125	Dual Assembly	478
Mazda 6	12/07>	EF2126	Radiator Fan Shroud	479
Mazda 6	12/07>	EM6090	Radiator Fan Motor	479
Mazda 6	12/07>	EM6100	Radiator Fan Motor	479
Mazda 6	12/07>	EF2127	Radiator Fan Blade	479
Mazda 6	12/07>	EF2129	Radiator Fan Blade	479



Make & Model	Year	Part No.	Description	Page No.
Mazda 6	8/02>	EF2169	Dual Assembly	479
Mazda 6, 2.3Lt	02>	EF1281	Dual Assembly	479
Mazda 6	9/04-5/05	EF2120	Dual Assembly	479
Mazda 6	9/04-5/05	EF2122	Radiator Fan Shroud	479
Mazda 6	9/04-5/05	EM5070	Radiator Fan Motor	479
Mazda 6	9/04-5/05	EM5560	Radiator Fan Motor	480
Mazda 6	9/04-5/05	EF2121	Radiator Fan Blade	480
Mazda 6	9/04-5/05	EF2123	Radiator Fan Blade	480
MPV, 3.0Lt	00-03	EF5382	Dual Assembly	481
MPV	96-98	EF5386	Radiator Fan	481
MX5, NB30	10/00-8/05	EF0460	Condenser Fan	481
Premacy 1.8, 2.0Lt	00-03	EF5384	Radiator Fan	482
Premacy 1.8, 2.0Lt	00-03	EF5383	Condenser Fan	482
Tribute, 2.0Lt, 4 cyl	01>	EF5374	Dual Assembly	482
Tribute, 3.0Lt V6	01>	EF5375	Dual Assembly	482
Mercedes Benz				
A Class, A200	04-09	EF1355	Radiator Fan	482
A Class, W168, 1.6Lt	7/97-8/04	EF1336	Radiator Fan	482
B Class, B180, B200	05-09	EF1355	Radiator Fan	482
C Class, W203	00-03	EF1330	Radiator Fan	482
C Class, W202	93-00	EF1331	Radiator Fan	482
C Class, W124	94-97	EF1331	Radiator Fan	482
C Class, C180, C200, 230	93-01	EF1354	Radiator Fan Motor & Blade	482
CLK Class, CLK320	98-01	EF1337	Radiator Fan	483
E Class, W124, W210, E430	96-02	EF1332	Dual Assembly	483
E Class, W124, W210, E320	97-99	EF1332	Dual Assembly	483
E Class, W124, W120, E55, AMG	00-02	EF1332	Dual Assembly	483
E Class, E220, 220E, 230, 230TE, 300TE	84-98	EF1352	Radiator Fan	483
E Class, E200, E230, E240, E280, E320, E430, E55	93-01	EF1354	Radiator Fan Motor & Blade	483
E Class, 300T	6/93-9/96	EF1353	Radiator Fan	483
ML Class, W163, ML320, ML430	00-04	EF1334	Dual Assembly	483
S Class, W220, 6 & 8 cyl	99-02	EF1345	Radiator Fan	483
S Class, W140	92-99	EF1344	Condenser Fan	483
S Class, W124, W126	85-91	EF6540	Condenser Fan	483
S Class, C126	81-91	EF6540	Condenser Fan	483
SLK320	98-01	EF1337	Radiator Fan	483
Sprinter		EF1342	Radiator Fan	484
Sprinter	4/01>	EF1351	Radiator Fan Blade	484
Vito		EF1342	Radiator Fan	484
Vito	04>	EF1349	Radiator Fan	484
Vito, W638	98-03	EF1341	Radiator Fan	484

Make & Model	Year	Part No.	Description	Page No.
W638, MB100	98-03	EF1341	Radiator Fan	483
W201 190	9/86-8/93	EF1353	Radiator Fan	484
W170, W202, C230, SLK200, SLK230K	96-04	EF1162	Radiator Fan	484
W124, W126, 260E, 300E	86-89	EF1342	Radiator Fan	484
W126, 300E, 350E	86-89	EF1343	Radiator Fan	484
W124, 200E, 230E, 200D, 250D, 300E	12/85>	EF1353	Radiator Fan	484
W120, E320	00-02	EF1338	Radiator Fan	484
Mini				
Cooper R56, 1.6Lt	3/07>	EF6509	Radiator Fan	485
Cooper, 1.6Lt	01-04	EF6510	Radiator Fan	485
Mitsubishi				
380	10/05>	EF1291	Radiator Fan	485
L400 WA Starwagon	6/94	EF1170	Dual Assembly	485
Lancer CG-CH	6/00-9/07	EF1292	Dual Assembly	485
Lancer CE	5/96-02	EF1175	Radiator Fan	485
Lancer CE	5/96-02	EF1171	Condenser Fan	485
Lancer CC	6/92-4/96	EF1174	Radiator Fan	485
Lancer CC	6/92-4/96	EF5149	Condenser Fan	485
Magna TJ, TL	8/00>	EM3870	Radiator Fan Motor	486
Magna TJ	8/00>	EM6321	Radiator Fan Motor	486
Magna TJ	8/00-6/03	EM6311	Radiator Fan Motor	486
Magna TE, TF, TH, TJ	2/96>	EF1119	Condenser Fan	486
Magna TS	3/94-3/97	EF1288	Radiator Fan Blade	486
Magna TR, TS, 4 cyl	91-3/97	EM7150	Condenser Fan Motor	486
Magna TS, V6	3/94-3/97	EM7150	Condenser Fan Motor	486
Magna TN, TP	7/87-7/91	EM9000	Condenser Fan Motor	486
Magna TM, TN	7/85-7/91	EM4580	Radiator Fan Motor	486
Mirage CE	5/96-02	EF1175	Radiator Fan	485
Mirage CE	5/96-02	EF1171	Condenser Fan	485
Nimbus UG	99>	EF2178	Radiator Fan	486
Pajero NM, NP, 3.5Lt, V6 Petrol, 2.8, 3.2Lt, Diesel	5/00>	EF3703	Condenser Fan	486
Pajero NJ, NK, NL, 3.0, 3.5Lt V6 Petrol, 2.8Lt Diesel	11/93-6/00	EF2182	Condenser Fan	487
Pajero NJ, NK, NL	11/93>	EM7121	Condenser Fan Motor	487
Triton MK, 3.0Lt V6	01-03	EF2162	Condenser Fan	487
Verada KE, KF, KH, KJ	2/96>	EF1119	Condenser Fan	487
Nissan				
Maxima A33, Infiniti 30	00-01	EF1153	Dual Assembly	487
Maxima A32	11/94-12/99	EF1152	Dual Assembly	487
Micra	93>	EF1314	Radiator Fan	487
Micra	93>	EF1303	Condenser Fan	487



Make & Model	Year	Part No.	Description	Page No.
Murano, Z50, 3.5Lt V6	7/05>	EF1302	Dual Assembly	487
Patrol		EF1306	Radiator Fan Blade	488
Pulsar N16	7/00>	EF5151	Dual Assembly	488
Pulsar N14, N15, 1.6, 2.0Lt	>9/00	EF1127	Condenser Fan	488
Pulsar N14, 1.6, 2.0Lt	5/00>	EF5005	Radiator Fan	488
Pulsar N12	4/86-6/87	EF1115	Condenser Fan	488
Terrano, 2.4Lt Petrol, 2.7Lt Diesel	98-99	EM0001	Condenser Fan Motor	488
Terrano		EF1306	Radiator Fan Blade	488
Tiida C11	10/06>	EF1307	Radiator Fan	488
X-Trail	9/01>	EF1301	Dual Assembly	488
Peugeot				
206	98>	EF1209	Radiator Fan	489
306	4/97-12/02	EF1166	Dual Assembly	489
306	95-3/97	EF1167	Dual Assembly	489
307	4/01>	EF1212	Radiator Fan	489
406	97-02	EF1211	Dual Assembly	489
Porsche				
911, 3.4, 3.6Lt	97-04	EF1428	Radiator Fan Motor & Blade	489
Boxster	96-04	EF1428	Radiator Fan Motor & Blade	489
Cayenne	8/03-8/10	EF1219	Radiator Fan Motor & Blade	489
Cayenne	02-07	EF1426	Radiator Fan Motor & Blade	489
Cayenne	02-07	EF1425	Radiator Fan Motor & Blade	489
Proton				
Persona, 1.5, 1.6Lt	96>	EF5149	Condenser Fan	490
Wira, 1.5, 1.6Lt	96>	EF5149	Condenser Fan	490
Saab				
9-5	6/97-1/09	EF1452	Radiator Fan Motor & Blade	490
9-5	6/97-1/09	EF1454	Radiator Fan Motor & Blade	490
Seat				
Cordoba	93-02	EF1208	Radiator Fan Motor & Blade	490
Cordoba	93-02	EF1313	Radiator Fan Motor & Blade	490
Cordoba	2/93-02	EF1218	Radiator Fan Blade	490
Cordoba	93-02	EF1420	Radiator Fan Motor & Blade	490
Cordoba	93-02	EF1434	Radiator Fan Motor & Blade	490
Cordoba	93-99	EF1217	Radiator Fan Motor & Blade	490
Ibiza	93-02	EF1434	Radiator Fan Motor & Blade	490
Ibiza	98-99	EF1208	Radiator Fan Motor & Blade	490
Ibiza	93-99	EF1217	Radiator Fan Motor & Blade	490
Ibiza	91-99	EF1313	Radiator Fan Motor & Blade	490
Ibiza	93-97	EF1420	Radiator Fan Motor & Blade	490
Ibiza II	3/93-99	EF1218	Radiator Fan Blade	490

Make & Model	Year	Part No.	Description	Page No.
Toledo	91-99	EF1313	Radiator Fan Motor & Blade	490
Toledo	91-99	EF1420	Radiator Fan Motor & Blade	490
Ssangyong				
Musso		EF1342	Radiator Fan Motor & Blade	490
Subaru				
Forester	03-05	EF1325	Dual Assembly	491
Forester	03-05	EF1326	Dual Assembly	491
Forester	99-02	EF1323	Condenser Fan	491
Forester, 2.0Lt	99-02	EF1324	Radiator Fan	491
Impreza, 2.0Lt	02-03	EF1327	Radiator Fan	491
Impreza, 2.0Lt	02-03	EF1328	Condenser Fan	491
Impreza	02>	EF1322	Radiator Fan	491
Impreza	98>	EF1319	Radiator Fan	491
Impreza	98>	EF1329	Condenser Fan	491
Impreza, 1.8Lt	>97	EF1156	Radiator Fan	492
Legacy	98-03	EF1321	Radiator Fan	492
Legacy	98-03	EF1320	Condenser Fan	492
Liberty	98-03	EF1321	Radiator Fan	492
Liberty	98-03	EF1320	Condenser Fan	492
Liberty, 4 cyl	00-02	EF1316	Radiator Fan	492
Liberty, 4 cyl	02-04	EF1315	Condenser Fan	492
Liberty, 2.2Lt	94-98	EF1318	Radiator Fan	492
Liberty, 2.2Lt	94-98	EF1317	Condenser Fan	492
Suzuki				
Baleno, 1.6Lt	4/95-11/01	EF3353	Radiator Fan	492
Baleno	95-98	EF1157	Condenser Fan	492
Grand Vitara	06>	EF2320	Dual Assembly	493
Grand Vitara	06>	EF2321	Radiator Fan Shroud	493
Grand Vitara	06>	EM9591	Radiator Fan Motor	493
Grand Vitara	06>	EM9602	Radiator Fan Motor	493
Grand Vitara	06>	EF2322	Radiator Fan Blade	493
Grand Vitara	06>	EF2149	Radiator Fan Blade	493
Ignis		EF2325	Radiator Fan	493
Jimny	98>	EF1157	Condenser Fan	492
Liana, 2.4Lt	11/01-3/04	EF3352	Condenser Fan	493
Swift EZ, Series I & II	2/05>	EF2326	Radiator Fan	493
Swift EZ, Series I & II	2/05>	EF2327	Radiator Fan Shroud	493
Swift EZ, Series I & II	2/05>	EM8310	Radiator Fan Motor	494
Vitara TD01, 5 Door P/S	95>	EF2183	Condenser Fan	494
Toyota				
4 Runner LN130R, RN130R, VZN130R	4/89-6/96	EM1810	Condenser Fan Motor	494

Make & Model	Year	Part No.	Description	Page No.
Aurion, GSV40R	10/06>	EF2141	Radiator Fan Shroud	494
Aurion, GSV40R	10/06>	EM8240	Radiator Fan Motor	494
Aurion, GSV40R	10/06>	EF2145	Radiator Fan Blade	494
Avalon MCX10	7/00-3/06	EF2184	Condenser Fan	494
Avalon MCX10	7/00-3/06	EF1780	Condenser Fan Shroud	494
Avalon MCX10	7/00-3/06	EM0094	Condenser Fan Motor	494
Avalon MCX10	7/00-3/06	EF2610	Condenser Fan Blade	495
Avensis Verso ACM20R, ACM21R	5/01>	EF2304	Radiator Fan Shroud	495
Avensis Verso ACM20R, ACM21R	12/01-11/10	EM2312	Radiator Fan Motor	495
Avensis Verso ACM20R, ACM21R	12/01-11/10	EM7725	Radiator Fan Motor	495
Avensis Verso ACM20R, ACM21R	12/01-11/10	EF2312	Radiator Fan Blade	495
Avensis Verso ACM20R, ACM21R	12/01-11/10	EF2303	Radiator Fan Blade	495
Camry AHV40R, Hybrid	2/10>	EF2355	Radiator Fan Shroud	495
Camry AHV40R, Hybrid	2/10>	EM7680	Radiator Fan Motor	495
Camry AHV40R, Hybrid	2/10>	EF2354	Radiator Fan Blade	495
Camry AHV40R, Hybrid	2/10>	EF2357	Radiator Fan Blade	495
Camry ACV40R	7/06-1/12	EF2134	Dual Assembly	496
Camry ACV40R	7/06-1/12	EF2138	Radiator Fan Shroud	496
Camry ACV40R	7/06-1/12	EM5960	Radiator Fan Motor	496
Camry ACV40R	7/06-1/12	EM9720	Radiator Fan Motor	496
Camry ACV40R	7/06-1/12	EF2135	Radiator Fan Blade	496
Camry ACV40R	7/06-1/12	EF2137	Radiator Fan Blade	496
Camry ACV36, 4 cyl	9/02-6/06	EF2199	Radiator Fan Shroud	496
Camry ACV36, 4 cyl	9/02-6/06	EM2131	Radiator Fan Motor	496
Camry ACV36, 4 cyl	9/02-6/06	EM2133	Radiator Fan Motor	496
Camry ACV36, 4 cyl	9/02-6/06	EF2133	Radiator Fan Blade	496
Camry ACV36, 4 cyl	9/02-6/06	EF2131	Radiator Fan Blade	497
Camry MCV36, V6	9/02-6/06	EF2199	Radiator Fan Shroud	496
Camry MCV36, V6	9/02-6/06	EM2131	Radiator Fan Motor	496
Camry MCV36, V6	9/02-6/06	EM2133	Radiator Fan Motor	496
Camry MCV36, V6	9/02-6/06	EF2133	Radiator Fan Blade	496
Camry MCV36, V6	9/02-6/06	EF2131	Radiator Fan Blade	497
Camry MCV20R, V6	8/97-8/02	EM0150	Radiator Fan Motor	497
Camry MCV20R, V6	8/97-8/02	EM5311	Radiator Fan Motor	497
Camry MCV20R, V6	8/97-8/02	EF2186	Condenser Fan	497
Camry MCV20R, V6 A/T	8/97-8/02	EF2187	Condenser Fan	497
Camry MCV20R, V6	8/97-8/02	EF2160	Condenser Fan Shroud	497
Camry MCV20R, V6	8/97-8/02	EM2521	Condenser Fan Motor	497
Camry MCV20R, V6	8/97-8/02	EM5250	Condenser Fan Motor	497
Camry SXV20R, 4 cyl	8/97-8/02	EF2191	Radiator Fan	497
Camry SXV20R, 4 cyl	8/97-8/02	EM5311	Radiator Fan Motor	497



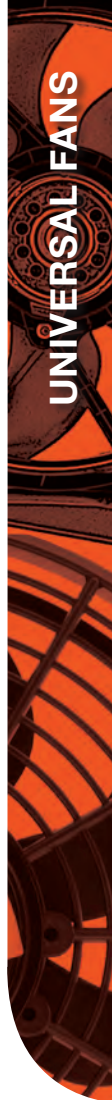
Make & Model	Year	Part No.	Description	Page No.
Camry SXV20R, 4 cyl	8/97-8/02	EF2188	Condenser Fan	497
Camry SXV20R, 4 cyl	8/97-8/02	EM5250	Condenser Fan Motor	497
Camry SXV20R, 4 cyl	8/97-8/02	EF2179	Condenser Fan Shroud	498
Camry SDV10, 4 cyl	11/92-7/97	EM0065	Radiator Fan Motor	498
Camry SDV10, 4 cyl	11/92-7/97	EF2185	Condenser Fan	498
Camry SDV10, 4 cyl	11/92-7/97	EF0480	Condenser Fan Shroud	498
Camry SDV10, 4 cyl	11/92-7/97	EM0070	Condenser Fan Motor	498
Camry SDV10, 4 cyl	11/92-7/97	EF1980	Condenser Fan Blade	498
Camry SV22	9/89-2/93	EF2159	Radiator Fan Shroud	498
Camry SV21	5/87-2/93	EF1104	Radiator Fan	498
Camry SV21, SV22	5/87-2/93	EM7180	Radiator Fan Motor	498
Celica ZTZ231R, 1.8Lt	11/99-3/06	EF2198	Dual Assembly	498
Celica ZTZ231R, 1.8Lt	11/99-3/06	EF3770	Radiator Fan Blade	499
Celica ST204, 205	2/94	EM7723	Radiator Fan Motor	499
Coaster		EM0372	Condenser Fan Motor	499
Coaster		EM0860	Condenser Fan Motor	499
Corolla ZRE152R	5/07>	EF1890	Radiator Fan	499
Corolla ZRE152R	5/07>	EF1891	Radiator Fan Shroud	499
Corolla ZRE152R	5/07>	EF1893	Radiator cover	499
Corolla ZRE152R	5/07>	EM1890	Radiator Fan Motor	499
Corolla ZRE152R	5/07>	EF1892	Radiator Fan Blade	499
Corolla ZZE122R	12/01>	EF2872	Radiator Fan	499
Corolla ZZE122R	12/01>	EF2181	Radiator Fan Shroud	500
Corolla ZZE122R	12/01>	EM3540	Radiator Fan Motor	500
Corolla ZZE122R	12/01>	EF2180	Radiator Fan Blade	500
Corolla AE112	8/98-9/01	EF2194	Radiator Fan	500
Corolla AE112	8/98-9/01	EF1520	Radiator Fan Shroud	500
Corolla AE112	8/98>	EM7723	Radiator Fan Motor	500
Corolla AE112	8/98-9/01	EF0420	Radiator Fan Blade	500
Corolla AE111, AE112	8/98-9/01	EF5102	Condenser Fan	500
Corolla AE101, AE102	2/94-8/99	EF1187	Condenser Fan	500
Corolla AE90, AE92, AE93	2/89-7/94	EF1103	Radiator Fan	500
Corolla AE90, AE92, AE93, AE94, AE95, AE96	2/89-8/95	EF1116	Condenser Fan	501
Corolla	89-92	EF1137	Condenser Fan	501
Echo NCP10, 1.3, 1.5Lt, NCP12	10/99>	EF2177	Radiator Fan	501
Echo NCP10R, NCP12R, NCP13R	3/99>	EM2303	Radiator Fan Motor	501
Echo NCP10R, NCP12R, NCP13R	3/99>	EM2312	Radiator Fan Motor	501
Hiace LH103, LH113, RZH103, RZH113	8/93-7/98	EF2197	Condenser Fan	501
Hiace LH103, LH113, RZH103, RZH103, RZH113, RZH125	8/93-7/98	EM2196	Condenser Fan Motor	501
Hiace KDH200R, KDH201R, KDH220R, KDH221R, KDH222R, KZH223R	3/05>	EF2140	Auxiliary Radiator Fan	501

Make & Model	Year	Part No.	Description	Page No.
Hiace KDH200R, KDH201R, KDH220R, KDH221R, KDH222R, KDH223R	3/05>	EF2142	Auxiliary Radiator Fan Shroud	501
Hiace KDH200R, KDH201R, KDH220R, KDH221R, KDH222R, KDH223R	3/05>	EM7780	Auxiliary Radiator Fan Motor	501
Hiace KDH200R, KDH201R, KDH220R, KDH221R, KDH222R, KDH223R	3/05>	EF2143	Auxiliary Radiator Blade	502
Hiace KDH200R, KDH201R, KDH220R, KDH221R, KDH222R, KDH223R	3/05>	EF2175	Radiator Fan Shroud	502
Hiace KDH200R, KDH201R, KDH220R, KDH221R, KDH222R, KDH223R	3/05>	EM4780	Radiator Fan Motor	502
Hiace KDH200R, KDH201R, KDH220R, KDH221R, KDH222R, KDH223R	3/05>	EM4810	Radiator Fan Motor	502
Hiace RZH103, RZH113	8/93-7/98	EF2197	Condenser Fan	501
Hiace RZH103, RZH103, RZH113, RZH125	8/93-7/98	EM2196	Condenser Fan Motor	501
Hiace TRH201R, TRH221R, TRH2213R	3/05>	EF2175	Radiator Fan Shroud	502
Hiace TRH201R, TRH221R, TRH2213R	3/05>	EM4780	Radiator Fan Motor	502
Hiace TRH201R, TRH221R, TRH2213R	3/05>	EM4810	Radiator Fan Motor	502
Kluger GSU40R, GSU45R	8/07>	EF2340	Dual Assembly	502
Kluger GSU40R, GSU45R	8/07>	EF2341	Radiator Fan Shroud	502
Kluger GSU40R, GSU45R	8/07>	EM9220	Radiator Fan Motor	502
Kluger GSU40R, GSU45R	8/07>	EM9221	Radiator Fan Motor	502
Kluger GSU40R, GSU45R	8/07>	EF2342	Radiator Fan Blade	502
Kluger GSU40R, GSU45R	8/07>	EF2343	Radiator Fan Blade	502
Kluger MCU28	11/03-7/07	EF2196	Dual Assembly	503
Kluger MCU28	11/03-7/07	EF2302	Radiator Fan Shroud	503
Kluger MCU28	11/03-7/07	EM7724	Radiator Fan Motor	503
Kluger MCU28	11/03-7/07	EF2300	Radiator Fan Blade	503
Kluger MCU28	11/03-7/07	EF2301	Radiator Fan Blade	503
Landcruiser 200 Series, VDJ200R, UZJ200R	11/07>	EF5490	Condenser Fan	503
Landcruiser 200 Series, VDJ200R, UZJ200R	11/07>	EF5492	Condenser Fan Shroud	503
Landcruiser 200 Series, VDJ200R, UZJ200R	11/07>	EF5499	Condenser Fan Blade	503
Landcruiser 200 Series, VDJ200R, UZJ200R	11/07>	EM3360	Radiator Fan Motor	503
Landcruiser 100 Series, FZJ105, UZJ100 V8	1/98-10/03	EF2190	Condenser Fan	503
Landcruiser 100 Series, FZJ105, UZJ100 V8	1/98-10/03	EM2130	Condenser Fan Motor	504
Lexcen VR, VS	6/93-5/97	EF1114	Condenser Fan	504
MR2 ZZW30	8/00>	EM5330	Condenser Fan Motor	504
MR2 SW20	12/91-8/00	EM7723	Radiator Fan Motor	504
Paseo	96>	EM2420	Condenser Fan Motor	504
Paseo EL54	8/95-7/99	EF2480	Condenser Fan	504
Paseo EL54	8/95-7/99	EF1290	Condenser Fan Shroud	504
Paseo EL54	8/95-7/99	EM2440	Condenser Fan Motor	504

Make & Model	Year	Part No.	Description	Page No.
Paseo EL54	8/95-7/99	EF2130	Condenser Fan Blade	504
Prius ZVW30	4/09>	EF2351	Radiator Fan Shroud	504
Prius ZVW30	4/09>	EM8980	Radiator Fan Motor	505
Prius ZVW30	4/09>	EM8990	Radiator Fan Motor	505
Prius ZVW30	4/09>	EF2352	Radiator Fan Blade	505
Prius ZVW30	4/09>	EF2353	Radiator Fan Blade	505
Prius NHW20R	11/03-6/09	EF2484	Dual Assembly	505
Prius NHW20R	11/03-6/09	EF2485	Radiator Fan Shroud	505
Prius NHW20R	11/03-6/09	EM7250	Radiator Fan Motor	505
Prius NHW20R	11/03-6/09	EM7420	Radiator Fan Motor	505
Prius NHW20R	11/03-6/09	EF2571	Radiator Fan Blade	505
Prius NHW20R	11/03-6/09	EF2572	Radiator Fan Blade	505
Rav4 ACA38R	3/10>	EM2303	Radiator Fan Motor	506
Rav4 ACA38R	3/10>	EM2312	Radiator Fan Motor	506
Rav4 GSA33R, 3.5Lt V6	10/07>	EF2338	Dual Assembly	506
Rav4 GSA33R, 3.5Lt V6	10/07>	EF2335	Radiator Fan Shroud	506
Rav4 GSA33R, 3.5Lt V6	10/07>	EF2336	Radiator cover	506
Rav4 GSA33R, 3.5Lt V6	10/07>	EF2338J	Dual Assembly	506
Rav4 ACA33R	11/05>	EF2305	Dual Assembly	506
Rav4 ACA33R	11/05>	EF2309	Radiator Fan Shroud	506
Rav4 ACA33R	11/05>	EF2319	Radiator Cover	506
Rav4 ACA33R	11/05>	EM9170	Radiator Fan Motor	506
Rav4 ACA33R	11/05>	EF2313	Radiator Fan Blade	507
Rav4 ACA33R	11/05>	EF2314	Radiator Fan Blade	507
Rav4 ACA20, ACA21	5/00>	EF2193	Radiator Fan	507
Rav4 ACA20, ACA21	5/00>	EM7320	Radiator Fan Motor	507
Rav4 ACA20, ACA21	5/00>	EF2334	Radiator Fan Blade	507
Rav4 ACA20, ACA21	5/00>	EF2337	Radiator Fan Blade	507
Rav4 ACA20, ACA21	5/00>	EF2192	Condenser Fan	507
Rav4 ACA20, ACA21	5/00>	EF2308	Condenser Fan Shroud	507
Rav4 SXA10R, SXA11R	7/94-9/00	EF2195	Radiator Fan	507
Rav4 SXA10R, SXA11R	7/94-9/00	EF1760	Radiator Fan Shroud	507
Rav4 SXA10R, SXA11R	7/94-9/00	EM0620	Radiator Fan Motor	508
Rav4 SXA10R, SXA11R	7/94-9/00	EM9660	Radiator Fan Motor	508
Rav4 SXA10R, SXA11R	7/94-9/00	EF0730	Radiator Fan Blade	508
Rav4 SXA10R, SXA11R, M/T	7/94-9/00	EF2189	Condenser Fan	508
Rav4 SXA10R, SXA11R, M/T	7/94-9/00	EF2307	Condenser Fan Shroud	508
Rav4 SXA10R, SXA11R, A/T	7/94-9/00	EF2360	Condenser Fan	508
Rav4 SXA10R, SXA11R, A/T	7/94-9/00	EF2306	Condenser Fan Shroud	508
Rav4 SXA10R, SXA11R, A/T	7/94-9/00	EM7200	Condenser Fan Motor	508
Rav4 SXA10R, SXA11R, A/T	7/94-9/00	EF2590	Condenser Fan Blade	508

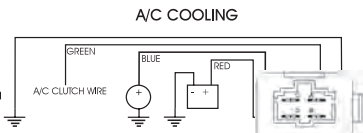
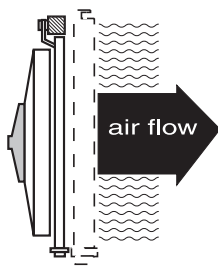
Make & Model	Year	Part No.	Description	Page No.
Rukus AZE15R	5/10>	EF2395	Radiator Fan Shroud	508
Rukus AZE15R	5/10>	EM8560	Radiator Fan Motor	509
Rukus AZE15R	5/10>	EF2392	Radiator Fan Blade	509
Rukus AZE15R	5/10>	EF2393	Radiator Fan Blade	509
Starlet EP91	11/96-8/99	EF2871	Radiator Fan	509
Starlet EP91	11/96-8/99	EF2870	Condenser Fan	509
Starlet EP91	11/96-8/99	EF1560	Condenser Fan Shroud	509
Starlet EP91	11/96-8/99	EM2330	Condenser Fan Motor	509
Starlet EP91	11/96-8/99	EF2580	Condenser Fan Blade	509
Tarago GSR50R, V6	2/07>	EF2330	Dual Assembly	509
Tarago GSR50R, V6	2/07>	EF2331	Radiator Fan Shroud	509
Tarago GSR50R, V6	2/07>	EM2319	Radiator Fan Motor	510
Tarago GSR50R, V6	2/07>	EM2320	Radiator Fan Motor	510
Tarago GSR50R, V6	2/07>	EF2332	Radiator Fan Blade	510
Tarago GSR50R, V6	2/07>	EF2333	Radiator Fan Blade	510
Tarago ACR50R	3/06>	EF2315	Dual Assembly	510
Tarago ACR50R	3/06>	EF2316	Radiator Fan Shroud	510
Tarago ACR50R (Tow pack upgrade)	3/06>	EF2324	Radiator Fan Shroud	510
Tarago ACR50R	3/06>	EM2303	Radiator Fan Motor	510
Tarago ACR50R	3/06>	EM2312	Radiator Fan Motor	510
Tarago ACR50R (Tow pack upgrade)	3/06>	EM2317	Radiator Fan Motor	510
Tarago ACR50R (Tow pack upgrade)	3/06>	EM2318	Radiator Fan Motor	511
Tarago ACR50R	3/06>	EF2317	Radiator Fan Blade	511
Tarago ACR50R	3/06>	EF2318	Radiator Fan Blade	511
Tarago ACR50R	3/06>	EF2231	Radiator Cover	511
Tarago ACR30R	6/00-2/06	EF2311	Radiator Fan Shroud	511
Tarago ACR30R	6/00-2/06	EM2312	Radiator Fan Motor	511
Tarago ACR30R	6/00-2/06	EM2303	Radiator Fan Motor	511
Tarago ACR30R	6/00-2/06	EF2303	Radiator Fan Blade	511
Tarago ACR30R	6/00-2/06	EF2312	Radiator Fan Blade	511
Townace KR42R	2/97-2/05	EM2521	Radiator Fan Motor	511
Yaris NCP90R, NCP91R, NCP93R	11/05>	EF2545	Radiator Fan	512
Yaris NCP90R, NCP91R, NCP93R	11/05>	EM9130	Radiator Fan Motor	512
Volkswagen				
Beetle	00>	EF1176	Dual Assembly	512
Beetle	00>	EM1176	Radiator Fan Motor & Blade	512
Beetle	00>	EM1177	Radiator Fan Motor & Blade	512
Beetle	10/99-6/04	EF1216	Radiator Fan Motor & Blade	512
Bora	10/98-5/05	EF1216	Radiator Fan Motor & Blade	512
Bora	12/99-7/01	EF1237	Dual Assembly	512
Bora	12/99-7/01	EF1238	Radiator Fan	512

Make & Model	Year	Part No.	Description	Page No.
Caddy II	11/98-5/97	EF1434	Radiator Fan Motor & Blade	512
Caddy	8/82-5/97	EF1217	Radiator Fan Motor & Blade	513
Caravelle T5	03-09	EF1424	Radiator Fan Motor & Blade	513
Caravelle T5	03-09	EF1422	Radiator Fan Motor & Blade	513
Caravelle T4	90-03	EF1431	Radiator Fan Motor & Blade	513
Golf IV Cabriolet	6/98-6/02	EF1423	Radiator Fan Motor & Blade	513
Golf IV	8/97-6/05	EF1216	Radiator Fan Motor & Blade	513
Golf III	91-98	EF1423	Radiator Fan Motor & Blade	513
Golf II, III & IV	90-91	EF1434	Radiator Fan Motor & Blade	513
Golf II	90-92	EF1208	Radiator Fan Motor & Blade	513
Golf II	90-92	EF1217	Radiator Fan Motor & Blade	514
Golf II, 1.8Lt	8/87-7/90	EF1430	Radiator Fan Motor & Blade	513
Golf I & II	83-93	EF1218	Radiator Fan Motor & Blade	514
Jetta	1/84-12/91	EF1218	Radiator Fan Motor & Blade	514
Jetta II	1/84-12/91	EF1434	Radiator Fan Motor & Blade	514
Jetta	8/84-7/90	EF1430	Radiator Fan Motor & Blade	514
Multivan T5	03-09	EF1424	Radiator Fan Motor & Blade	514
Multivan T5	03-09	EF1422	Radiator Fan Motor & Blade	514
Multivan	4/03-11/09	EF1219	Radiator Fan Motor & Blade	514
Passat	91-97	EF1423	Radiator Fan Motor & Blade	514
Passat	91-97	EF1420	Radiator Fan Motor & Blade	514
Passat	91-97	EF1434	Radiator Fan Motor & Blade	514
Passat	1/86-8/96	EF1218	Radiator Fan Motor & Blade	515
Passat	8/85-8/96	EF1217	Radiator Fan Motor & Blade	515
Polo	83-93	EF1218	Radiator Fan Motor & Blade	515
Polo III	12/03-5/08	EF1227	Radiator Fan Motor & Blade	515
Polo III	7/95-9/01	EF1216	Radiator Fan Motor & Blade	515
Touareg	9/03-5/10	EF1219	Radiator Fan Motor & Blade	515
Touareg	02-09	EF1425	Radiator Fan Motor & Blade	515
Touareg	02-09	EF1426	Radiator Fan Motor & Blade	515
Transporter T5	4/03-11/09	EF1219	Radiator Fan Motor & Blade	515
Transporter T5	03>	EF1422	Radiator Fan Motor & Blade	515
Transporter T5	03>	EF1424	Radiator Fan Motor & Blade	515
Transporter T4	98>	EF1214	Dual Assembly	516
Transporter T4	90-97	EF1215	Dual Assembly	516
Transporter T4	90>	EF1431	Radiator Fan Motor & Blade	516
Vento	95-97	EF1423	Radiator Fan Motor & Blade	516
Vento	95-97	EF1434	Radiator Fan Motor & Blade	516



Straight & Skew Blade Fans

Pusher



Connect Blue wire as Negative.
Connect Black wire as Positive.

Reversible Fans

These fans can be installed as pusher or puller simply by flipping the fan blade over and reversing the wire. Refer to fan description to determine standard set-up ex factory.

Standard Assemblies

These assemblies are manufactured with the blue wire as positive (+) in a puller mode. In the pusher mode the black wire will be positive (+).

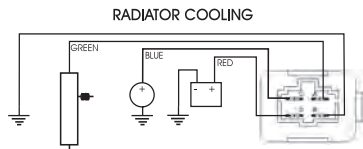
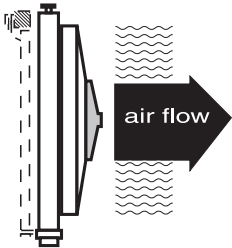
See accompanying illustrations.

Note:

For new installations, additional parts comprising of a Wiring Loom, Relays & Mount legs may be required.

Contact sales staff for parts that suit your needs.

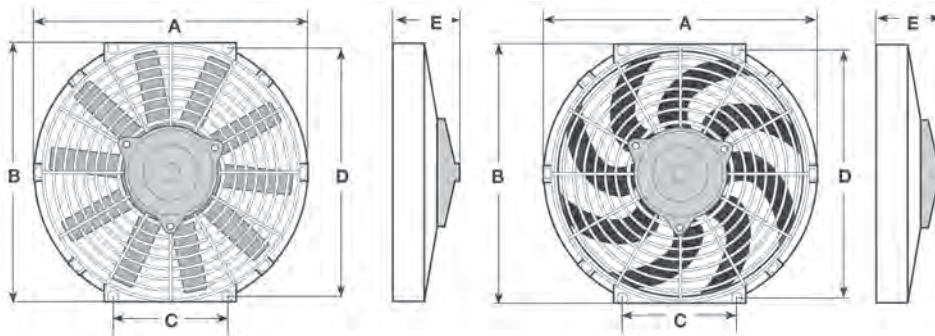
Puller



Connect Black wire as Negative.
Connect Blue wire as Positive.

Straight Blade Type

Skewed Blade Type



Recommendations for the use of an Axial Fan

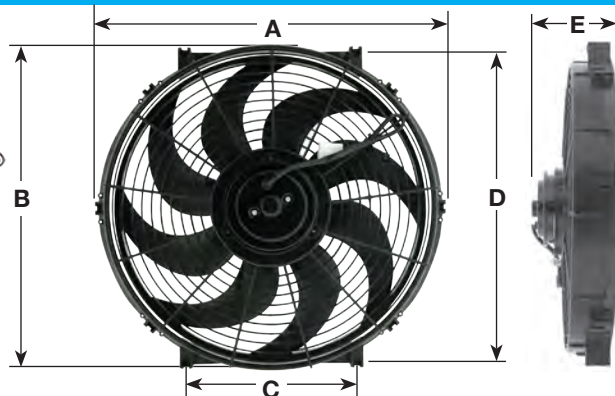
To maximise the life of any axial fan a good quality power supply must be provided, Power supply must be stable and where necessary a voltage rectifier used to ensure that a voltage RIPPLE does not occur at the fan. A voltage ripple greater than 1% could create excess overheating of the motor brushes; in turn this overheating may significantly reduce the life or even damage the fan assembly.

A suitable external fuse for each fan is needed to interrupt power supply. This is protection for the wiring harness and protects against restrictions of the fan assembly.

It is the customer's responsibility to adequately protect the system and the axial fan against overload conditions or accidental blade restrictions.

Jayair Universal Fans

Jayair Fan Measuring Legend



Part No.	Description	Amps	Watts	CFM	m3/h	A	B	C	D	E
EF9528	10" 12V Skew Blade/Reversible	4.5	54	833	1416	270	288	195	195	62
EF9532	12" 12V Skew Blade/Reversible	5	60	1200	2040	305	326	155	285	62
EF9657	14" 12V Skew Blade/Reversible	9.5	114	2050	3480	352	376	178	328	87
EF9634	16" 12V Skew Blade/Reversible	13	156	2009	3411	425	395	208	382	105

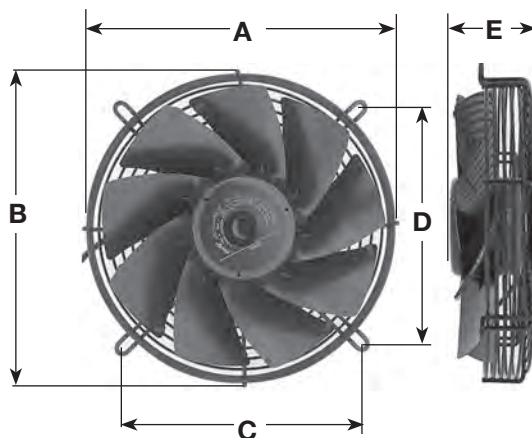
Key features for ebm-papst S1G & W3G axial assemblies

- Brushless extended life motors
 - nominal life of 25,000hrs+
- Very low noise operation
- Full speed 12V & 24V operation
- Variable speed operation
- Reverse battery & locked rotor protection
- Over temperature protection
- Steel and plastic variations
- Low EMC/RFI interference
- Enhanced temperature range (-40°C to +85°C)
- 2 year warranty period

ebm-papst fans are not reversible. Applications must be determined for the correct fan choice.

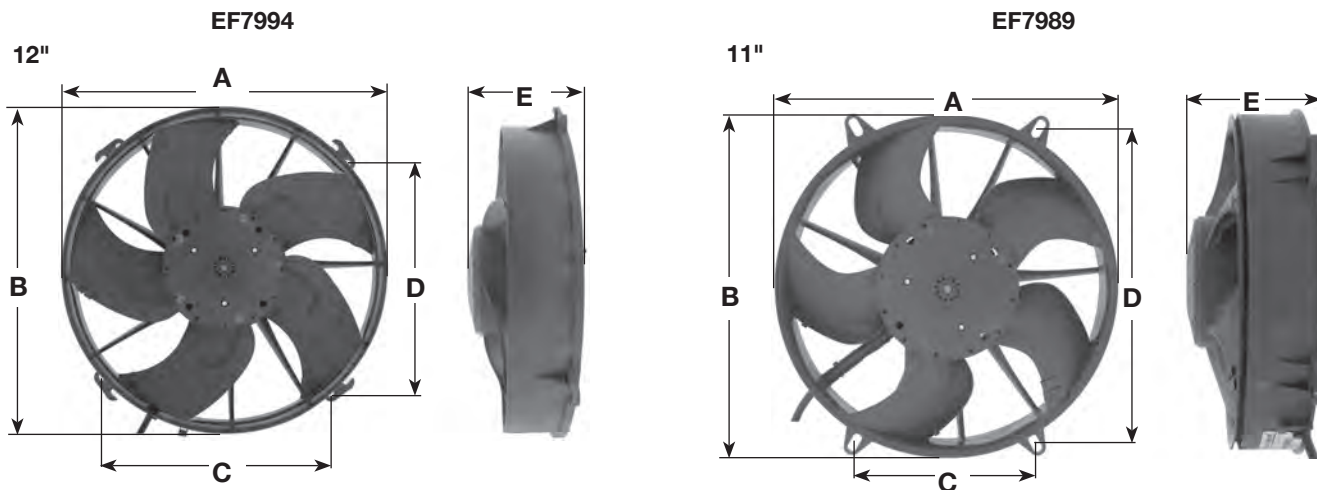
ebm-papst S1G Series

(Steel Blade & Basket Grille)



Part No.	Description	Amps	Watts	CFM	m3/h	A	B	C	D	E
EF7996	10" 12V Pusher/S1G250-AI79-50	6.0	72	571	970	279	279	212	212	74
EF7997	10" 12V Puller/S1G250-AH79-50	6.0	72	571	970	279	279	212	212	74
EF7992	8" 24V Puller/S1G200-AH77-52	2.3	55	642	1090	235	235	186	186	74
EF7998	10" 24V Pusher/S1G250-AI37-48	4.4	105	1130	1920	279	279	212	212	74
EF7999	10" 24V Puller/S1G250-AH37-48	4.4	105	1130	1920	279	279	212	212	74

ebm-papst W3G Series

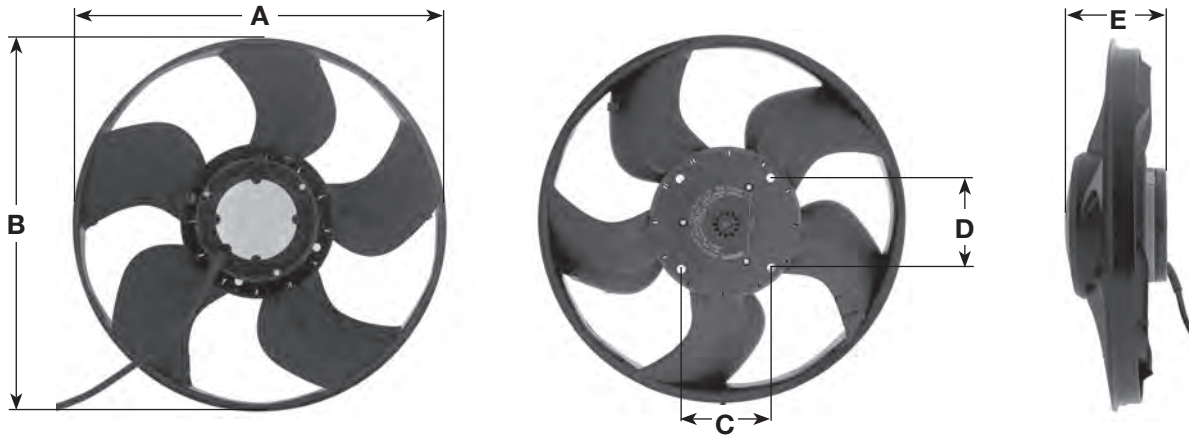


Part No.	Description	Amps	Watts	CFM	m3/h	A	B	C	D	E
EF7989	11" 24V Pusher/W3G280-EQ26-03	7.0	168	1419	2410	303	303	172	298	94
EF7994	12" 24V Puller/W3G300-ER26-05	8.7	209	1636	2780	330	330	237	237	94

ebm-papst A1G Series

EF7991

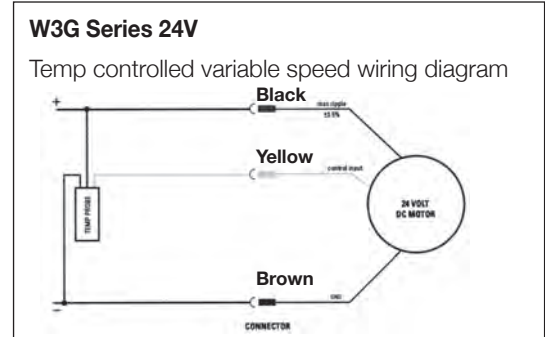
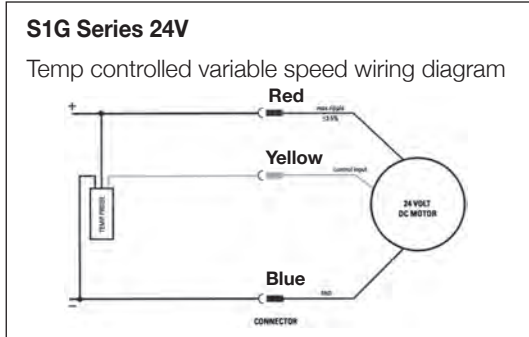
Motor & Blade Assembly (Plastic Blade)



Part No.	Description	Amps	Watts	CFM	m3/h	A	B	C	D	E
EF7991	11" 12V Pusher/A1G280-AA79-11	7.3	90	1065	1810	292	292	42	42	78
EF7981	12" 24V Puller/A1G300-AE19-52 (Steel)	4.0	90	1536	2610	300	300	58	58	79

Electrical Connection

For simplicity, some wires have been omitted

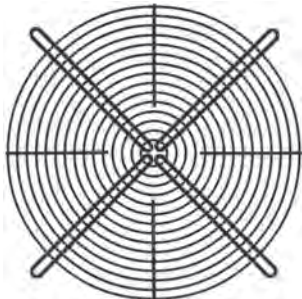


Accessories

EF7987

Fan Grille

Suits W3G Series plastic assemblies

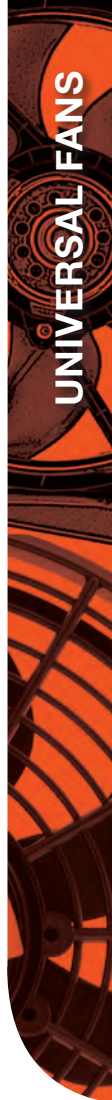


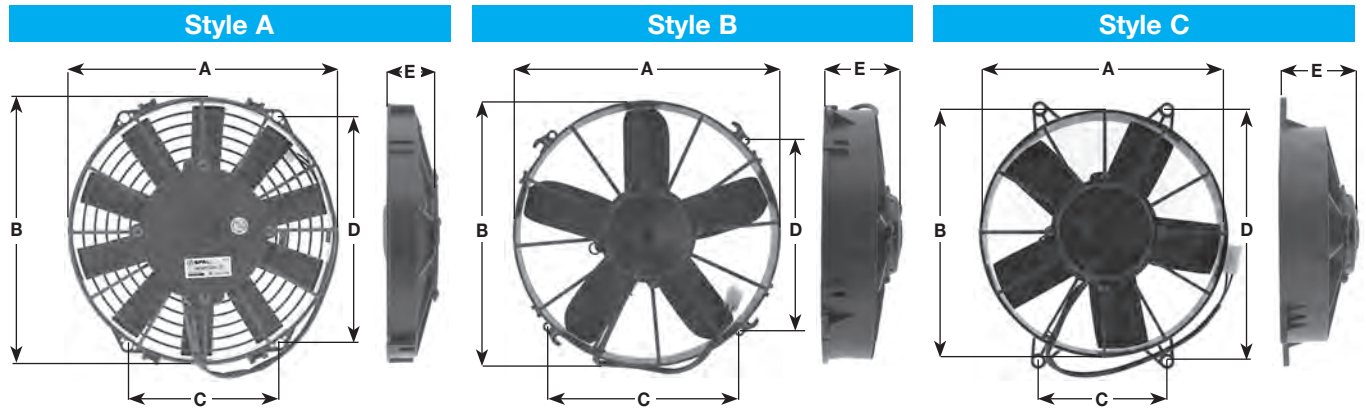
SE4997*

Loom connector lead with adaptor plug

Suits EBM-Papst blower assemblies

*Does not suit EM7993





*nominated assemblies Long Life 10,000hrs

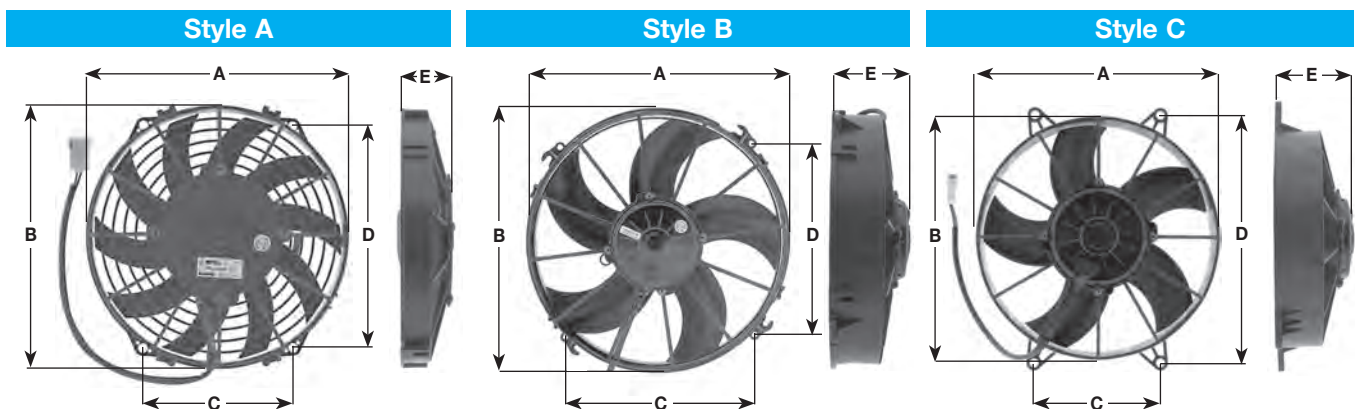
Straight 12V	Style	Description	Amps	Watts	CFM	m3/h	A	B	C	D	E
EF3571	A	4" (96mm) 12V Puller	2.2	26	148	250	109	109	82	82	58
EF3570	C	5" (130mm) 12V Puller	4.8	58	342	579	144	144	110	110	58
EF3602	A	6.5" (167mm) 12V Puller	5	60	313	530	178	184	135	135	52
EF3553	A	8" (190mm) 12V Pusher	6.7	80	407	690	202	210	151	151	52
EF3500	A	9" (225mm) 12V Puller	6.7	80	596	1010	246	246	139	206	52
EF3501	A	9" (225mm) 12V Pusher	8.3	100	673	1140	246	246	139	206	52
EF3502	A	10" (255mm) 12V Puller	5.8	70	643	1090	268	284	142	247	52
EF3503	A	10" (255mm) 12V Pusher	5.4	65	631	1070	268	284	142	247	52
EF9631*	C	10" (255mm) 12V Puller	10.5	126	1103	1870	269	278	145	286	95
EF3504	A	11" (280mm) 12V Puller	6.2	74	755	1280	294	310	155	269	52
EF3604*	C	11" (280mm) 12V Puller	12.8	154	1375	2330	304	315	173	299	95
EF3505	A	11" (280mm) 12V Pusher	7.6	91	985	1670	294	310	155	268	62
EF3506	A	12" (305mm) 12V Puller	13.5	162	1328	2250	319	335	168	291	88
EF3606*	B	12" (305mm) 12V Puller	13.5	162	1316	2230	331	331	238	238	95
EF3524	A	12" (305mm) 12V Pusher	8.2	98	1009	1710	319	336	168	291	62
EF3507	A	13" (330mm) 12V Puller	7.5	90	962	1630	345	361	181	313	52
EF3508	A	13" (330mm) 12V Pusher	7.1	85	991	1680	345	361	181	313	52
EF3547	A	14" (350mm) 12V Puller	9.5	114	1310	2220	367	382	191	331	62
EF3647*	A	14" (350mm) 12V Puller	17.3	208	1623	2750	367	382	191	331	88
EF3548	A	14" (350mm) 12V Pusher	8.7	104	1263	2140	367	382	191	331	62
EF3509	A	16" (385mm) 12V Puller	10.7	128	1469	2490	397	412	207	358	62
EF3609*	A	16" (385mm) 12V Puller	17.3	208	1788	3030	397	412	207	358	88
EF3510	A	16" (385mm) 12V Pusher	10.5	126	1505	2550	397	412	207	358	62
Straight 24V	Style	Description	Amps	Watts	CFM	m3/h	A	B	C	D	E
EF3648	A	8" (190mm) 24V Puller	2.4	58	384	650	202	209	151	151	52
EF9629*	A	8" (190mm) 24V Pusher - Thermal protection	2.4	58	384	630	202	209	151	151	52
EF3511	A	9" (225mm) 24V Puller	4	96	690	1170	247	247	139	206	52
EF3512	A	9" (225mm) 24V Pusher	4.1	98	696	1180	247	247	139	206	52
EF3513	A	10" (255mm) 24V Puller	5	120	791	1340	269	284	142	247	52
EF3514	A	10" (255mm) 24V Pusher	4.5	108	779	1320	269	284	142	247	52
EF3614*	C	10" (255mm) 24V Pusher	5.3	127	1097	1860	269	303	145	286	95
EF3615*	C	10" (255mm) 24V Puller	5.7	137	1174	1990	269	303	145	286	95
EF3515	A	11" (280mm) 24V Puller	4.4	106	997	1690	294	310	155	268	62

Spal Universal Straight Blade Fans



Straight 24V	Style	Description	Amps	Watts	CFM	m3/h	A	B	C	D	E
EF3516	A	11" (280mm) 24V Pusher	4.5	108	861	1460	294	310	155	268	52
EF3517	A	12" (305mm) 24V Puller	5.4	130	1162	1970	319	335	168	291	62
EF3546*	B	12" (305mm) 24V Puller	7.4	178	1711	2900	331	330	238	238	95
EF3525	A	12" (305mm) 24V Pusher	4.6	110	1062	1800	319	335	168	291	62
EF3625*	B	12" (305mm) 24V Pusher	7.1	170	1628	2760	331	331	238	238	95
EF3646*	B	12" (305mm) 24V Puller	7.6	182	1422	2410	331	331	238	238	95
EF3649*	A	12" (305mm) 24V Pusher	8.8	211	1469	2490	331	331	238	238	95
EF3518	A	13" (330mm) 24V Puller	4.4	106	1204	2040	345	361	181	313	62
EF3519	A	13" (330mm) 24V Pusher	4.3	103	1180	2000	345	361	181	313	62
EF3549	A	14" (350mm) 24V Puller	4.9	118	1280	2170	366	382	191	331	62
EF3550	A	14" (350mm) 24V Pusher	4.5	108	1239	2100	366	382	191	331	62
EF3520	A	16" (385mm) 24V Puller	5.5	132	1463	2480	397	412	206	357	62
EF3610*	A	16" (385mm) 24V Pusher	8.7	209	2089	3540	397	412	206	357	88

Spal Universal Skew Blade Fans



*nominated assemblies Long Life 10,000hrs

Skew 12V	Style	Description	Amps	Watts	CFM	m3/h	A	B	C	D	E
EF3526	A	9" (225mm) 12V Puller	5.7	68	602	1020	246	246	139	206	52
EF3527	A	9" (225mm) 12V Pusher	5.8	70	590	1000	246	246	139	206	52
EF3528	A	10" (255mm) 12V Puller	5.6	67	708	1200	268	284	142	246	52
EF3529	A	10" (255mm) 12V Pusher	5.6	67	708	1200	268	284	142	246	52
EF3629*	C	10" (255mm) 12V Pusher	9.6	115	1033	1750	269	278	145	286	95
EF3530	A	11" (280mm) 12V Puller	6.4	77	779	1320	294	310	155	269	52
EF3531	A	11" (280mm) 12V Pusher	6.4	77	832	1410	294	310	155	269	52
EF3635*	B	11" (280mm) 12V Puller	12.3	148	1298	2200	315	315	173	299	95
EF3532	A	12" (305mm) 12V Puller	13.5	162	1328	2250	319	335	168	291	62
EF3533	A	12" (305mm) 12V Pusher	12.6	151	1292	2190	319	335	168	291	62
EF3572*	A	12" (305mm) 12V Puller	13.5	162	1328	2250	319	335	168	291	62
EF3632*	B	12" (305mm) 12V Puller	13.9	167	1640	2780	331	331	238	238	95
EF3633*	B	12" (305mm) 12V Pusher	13.9	167	1687	2860	331	331	238	238	95
EF3657*	A	14" (350mm) 12V Puller	17.3	208	1623	2750	366	382	192	332	88
EF3534*	A	16" (385mm) 12V Puller	19.5	234	2024	3430	397	412	206	357	88
EF3634	A	16" (385mm) 12V Puller - HP	26	312	3000	5097	400	414	207	358	93
EF3535*	A	16" (385mm) 12V Pusher	21.5	258	1959	3320	400	414	207	358	88





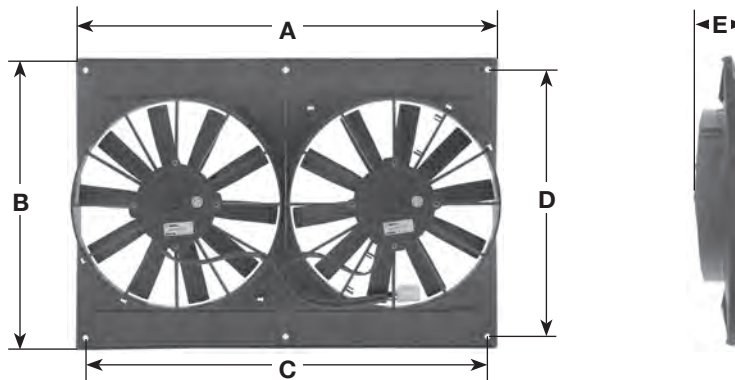
Spal Universal Skew Blade Fans

Skew 24V	Style	Description	Amps	Watts	CFM	m3/h	A	B	C	D	E
EF3536	A	9" (225mm) 24V Puller	4	96	690	1170	246	246	139	206	52
EF3636*	B	9" (225mm) 24V Puller	4.5	108	785	1330	238	248	139	206	96
EF3537	A	9" (225mm) 24V Pusher	3.9	94	696	1180	246	246	139	206	52
EF3538	A	10" (255mm) 24V Puller	3.9	94	767	1300	268	284	142	246	52
EF3539	A	10" (255mm) 24V Pusher	3.7	89	826	1400	268	284	142	246	52
EF3540	A	11" (280mm) 24V Puller	3.8	91	856	1450	294	310	155	268	52
EF3541	A	11" (280mm) 24V Pusher	3.6	86	879	1490	294	310	155	268	52
EF3637*	C	11" (280mm) 24V Puller	7	168	1499	2540	303	315	173	299	95
EF9630*	C	11" (280mm) 24V Pusher	7.4	178	1146	2450	315	315	173	299	95
EF3542	A	12" (305mm) 24V Puller	3.4	82	991	1680	319	335	168	291	52
EF3543	A	12" (305mm) 24V Pusher	3.5	84	956	1620	319	335	168	291	52
EF3642*	B	12" (305mm) 24V Puller	7.1	170	1564	2650	331	331	238	238	95
EF3643*	B	12" (305mm) 24V Pusher	8.5	204	1682	2850	331	331	238	238	95
EF3650*	A	14" (350mm) 24V Puller	8.9	214	1841	3120	366	382	192	332	88
EF3544*	A	16" (385mm) 24V Puller	7	168	1776	3018	400	414	207	358	88
EF3545*	A	16" (385mm) 24V Pusher	11	264	2036	3459	400	414	207	358	88

Spal Universal Dual Fans



Dual Fan Measuring Legend



Part No.	Description	Amps	Watts	CFM	m3/h	A	B	C	D	E
EF4028	2 x 11" (280mm) 12V Puller	13.6	165	1689	2870	596	413	566	377	82.5
EF3580	2 x 11" (280mm) 12V Puller	29.8	360	2713	4610	596	413	566	377	108

EF3690
Temperature Switch Kit
 85 Degrees on, 74 Degrees off.
 Includes relay & harness.



EF3691
Temperature Switch
 85 Degrees on, 74 Degrees off.
 3/8" NPT Stainless Thread.



EF3692
Temperature Switch Kit
 90 Degrees on, 80 Degrees off.
 Includes relay & harness.



EF3693
Temperature Switch
 90 Degrees on, 80 Degrees off.
 3/8" NPT Stainless Thread.



EF3694
Relay Harness
 Suits EF3691 & EF3693



SE0027
Wire Loom Extension
 High Performance Fan
 Suits EF3634



EF3552
Fan Gasket
 Suits VA18 Type Fans



EF3521
Mounting Feet
 Raised Profile (4mm)



EF3551
Mounting Feet
 Flush

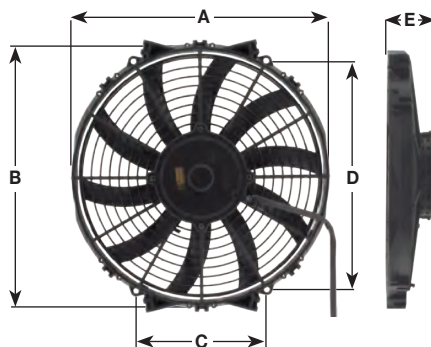


EF3522
Mounting Feet
 45 Degrees Left,
 Raised Profile (4mm)



EF3523
Mounting Feet
 45 Degrees Right,
 Raised Profile (4mm)





Skew 12V	Description	Amps	Watts	CFM	m3/h	A	B	C	D	E
EF8901	6.5" (165mm) 12V Puller / Reversible	6.5	130	375	636	179	179	135	135	62
EF8902	8" (190mm) 12V Puller / Reversible	8.1	130	540	915	202	210	151	151	63
EF8904	9" (225mm) 12V Puller / Reversible	7.7	130	790	1339	247	247	139	139	63
EF8906	10" (255mm) 12V Puller / Reversible	7.9	130	950	1610	269	285	142	247	63
EF8908	11" (280mm) 12V Puller / Reversible	7.4	130	1110	1881	294	310	155	269	63
EF8910	12" (305mm) 12V Puller / Reversible	7.7	130	1155	1958	318	336	168	291	81
EF8912	12" (305mm) 12V Puller / Reversible	18	225	1595	2653	318	336	168	291	81
EF8914	14" (350mm) 12V Puller / Reversible	10.1	160	1555	2636	367	382	191	331	73
EF8916	14" (350mm) 12V Puller / Reversible	17.2	225	2135	3619	367	382	191	331	81
EF8918	16" (385mm) 12V Puller / Reversible	12.3	160	1810	3068	400	414	207	359	73
EF8920	16" (385mm) 12V Puller / Reversible	18	225	2170	3678	400	414	207	359	81
Skew 24V	Description	Amps	Watts	CFM	m3/h	A	B	C	D	E
EF8903	8" (190mm) 24V Puller / Reversible	4.1	130	484	820	202	210	151	151	63
EF8905	9" (225mm) 24V Puller / Reversible	3.3	130	679	1151	247	247	139	139	63
EF8907	10" (255mm) 24V Puller / Reversible	4	130	937	1588	269	285	142	247	63
EF8909	11" (280mm) 24V Puller / Reversible	4.5	130	1075	1822	294	310	155	269	63
EF8911	12" (305mm) 24V Puller / Reversible	5	130	1180	2000	318	336	168	291	81
EF8913	12" (305mm) 24V Puller / Reversible	6.7	225	1433	2429	318	336	168	291	81
EF8917	14" (350mm) 24V Puller / Reversible	8.2	225	1902	3224	367	382	191	331	81
EF8921	16" (385mm) 24V Puller / Reversible	9.9	225	2052	3478	400	414	207	359	81

EF8922*
Mounting Feet
 90 Degree
 Champion Series

EF8928*
Fan Mount Rubber Spacer
 Champion Series

EF8990*
Pigtail Harness
 Champion Series

EF8927**
Nylon Tie Mount Kit
 Heavy Duty
 130 Watt Champion Series



Picture unavailable at time of printing
 refer www.cooldrive.com.au



Picture unavailable at time of printing
 refer www.cooldrive.com.au



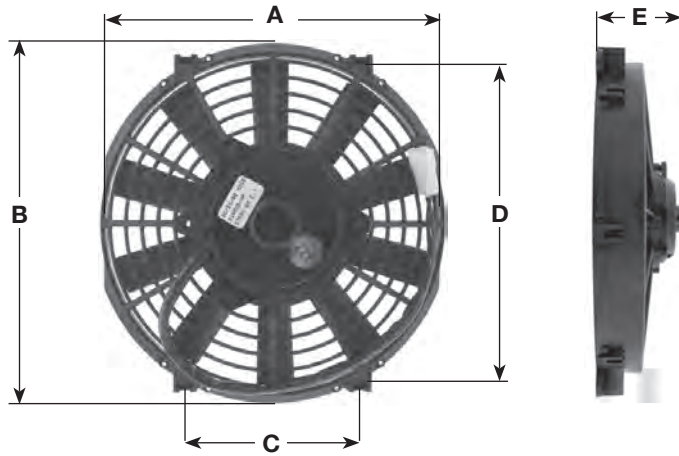
Picture unavailable at time of printing
 refer www.cooldrive.com.au



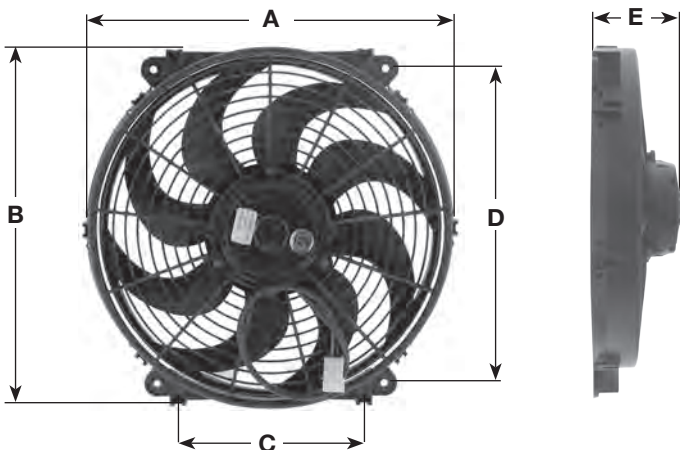
Picture unavailable at time of printing
 refer www.cooldrive.com.au

* Included with all Maradyne Champion Series Fans ** Included with Maradyne Champion Series 130 watt fans only

Baco Fan Measuring Legend



Straight 12V	Description	Amps	Watts	CFM	m3/h	A	B	C	D	E
EF9131	8" 12V Pusher / Reversible	7.5	90	340	578	205	204	107	186	82
EF9100	9" 12V Pusher / Reversible	11.7	140	570	968	243	262	123	232	86
EF9101	10" 12V Pusher / Reversible	11.7	140	650	1104	272	286	131	250	86
EF9103	11" 12V Pusher / Reversible	11.7	140	780	1325	295	312	150	277	88
EF9104	12" 12V Pusher / Reversible	14.6	175	980	1665	320	335	180	285	89
EF9105	14" 12V Pusher / Reversible	19.2	230	1150	1954	357	374	180	328	100
EF9106	16" 12V Pusher / Reversible	19.2	230	1650	2803	408	425	206	372	100
Straight 24V	Description	Amps	Watts	CFM	m3/h	A	B	C	D	E
EF9107	9" 24V Pusher / Reversible	5.8	140	570	968	243	262	123	232	86
EF9108	10" 24V Pusher / Reversible	5.8	140	650	1104	272	286	131	250	86
EF9109	11" 24V Pusher / Reversible	5.8	140	780	1325	295	312	150	277	88
EF9111	12" 24V Pusher / Reversible	7.3	175	980	1665	320	335	180	285	89
EF9112	14" 24V Pusher / Reversible	9.6	230	1150	1954	357	374	180	328	100
EF9113	16" 24V Pusher / Reversible	9.6	230	1650	2803	408	425	206	372	100



The skew blade design represents the latest in innovative design providing a new standard in efficient, low profile and low noise fans.

Features:

- Fully reversible blades for bi-directional air flow
- Mineral/nylon fan & shroud construction
- Multiple mounting points
- Full finger guard protection
- High efficiency
- Low profile

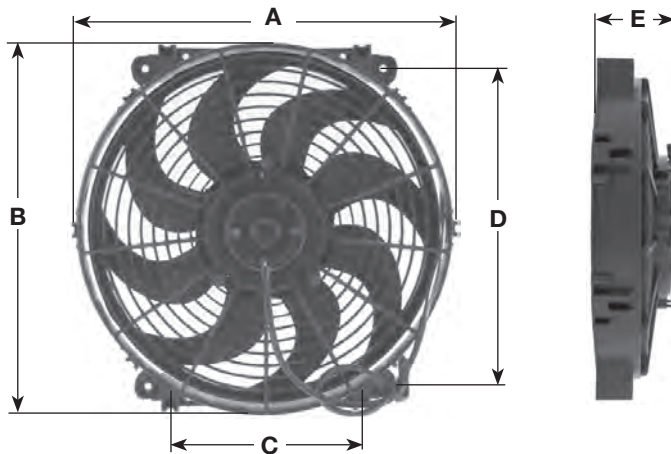
Note: Mounting feet are not included in the fan part numbers listed on this page. (See accessories for suitable mounting feet).

Skew 12V	Description	Amps	Watts	CFM	m3/h	A	B	C	D	E
EF4019	10" 12V Pusher / Reversible	7.5	90	650	1104	290	276	130	249	64
EF4021	11" 12V Pusher / Reversible	7.5	90	870	1478	315	310	132	272	64
EF4023	13" 12V Pusher / Reversible	11.7	140	1430	2430	368	352	185	315	101
EF4025	16" 12V Pusher / Reversible	12.5	150	1650	2803	425	400	208	368	104
EF4026	16" 12V Pusher / Reversible	19.2	230	1900	3228	425	400	208	368	113
Skew 24V	Description	Amps	Watts	CFM	m3/h	A	B	C	D	E
EF4020	10" 24V Pusher / Reversible	3.8	90	650	1104	290	276	130	249	64
EF4022	11" 24V Pusher / Reversible	3.8	90	870	1478	315	310	132	272	64
EF4024	13" 24V Pusher / Reversible	5.8	140	1430	2430	368	352	185	315	101



Tripac Style - Skew Blade Fans

Tripac Fan Measuring Legend



Skew 12V	Description	Amps	Watts	CFM	m3/h	A	B	C	D	E
EF4027	9" 12V Pusher / Reversible	7.5	90	570	970	244	242	126	230	62
EF4040	10" 12V Pusher / Reversible	7.5	90	600	1019	282	270	132	245	65
EF4038	11" 12V Pusher / Reversible	7.5	90	875	1487	317	292	149	280	65
EF4036	13" 12V Pusher / Reversible	10.8	130	1250	2124	368	351	185	310	86
EF4033	16" 12V Pusher / Reversible	18.8	225	2320	3942	426	400	207	350	105
Skew 24V	Description	Amps	Watts	CFM	m3/h	A	B	C	D	E
EF4018	9" 24V Pusher / Reversible	3.8	90	570	970	244	242	126	230	62
EF4039	10" 24V Pusher / Reversible	3.8	90	650	1104	282	270	132	245	65
EF4037	11" 24V Pusher / Reversible	3.8	90	880	1495	317	292	149	280	65
EF4035	13" 24V Pusher / Reversible	5.4	130	1188	2018	368	351	185	310	86
EF4032	16" 24V Pusher / Reversible	9.4	225	2320	3942	426	400	207	350	105

Cooltemp Universal - Straight Blade Fans



Straight 12V	Description	Watts	Application
EFFA02	10" 12V Fan Reversible Blades	80W	Condenser Mount (Pusher)
EF0023	12" 12V Fan Reversible Blades	85W	Condenser Mount (Pusher)
EFFA70	14" 12V Fan Reversible Blades	120W	Radiator Mount (Puller)
Straight 24V	Description	Watts	Application
EFFA06	10" 24V Fan Reversible Blades	80W	Condenser Mount (Pusher)
EF0028	12" 24V Fan Reversible Blades	85W	Condenser Mount (Pusher)
EFFA71	14" 24V Fan Reversible Blades	120W	Radiator Mount (Puller)

Complete Kit 12V	Complete Kit 24V	Description	Motor (W)	Set Up	W (mm)	D (mm)	H (mm)	Part No. (Fan Only) 12V	Part No. (Fan Only) 24V
EF0035	EF0036	DCSL8 - Reversible	90	Push	208	225	52	EF0135	EF0136
		DCSL9 - Reversible	90	Push	249	242	64	EF0160	EF0161
EF0045	EF0046	DCSL10 - Reversible	90	Push	270	290	64	EF0145	EF0146
		DCSLX10 - Reversible	84	Push	275	278	50	EF0147	EF0148
		DCSL10 - Sealed Motor						EF0744	EF0745
		DCSL12 - Old Style						EF0762	EF0763
EF0062	EF0063	DCSL12 - Reversible	108	Push	293	293	51	EF0162	EF0163
		DCSL12 - Sealed Motor						EF0746	EF0760
		DCSL14 - Old Style						EF0764	EF0765
EF0064	EF0065	DCSL14 - Reversible	130	Push	350	348	77	EF0164	EF0165
		DCSL14 - Reversible High Performance	156	Push	350	348	94	EF0107	
EF1066	EF0067	DCSL16 - Reversible	225	Push	424	400	100	EF0166	EF0172

Universal Exhaust/Dash Mount Fans

EF4050
Rooftop Ventilator
Exhaust Fan, 190mm, 12V



EF4051
Rooftop Ventilator
Exhaust Fan, 230mm, 12V



EF0103
Dash Mount Fan, 12V
2 Speed



EF0106
Dash Mount Fan, 24V
2 Speed



EM9064
Dash Mount Fan, 24V, Red Dot
2 Speed



Fan Accessories/Thermostats/Blades/Shrouds

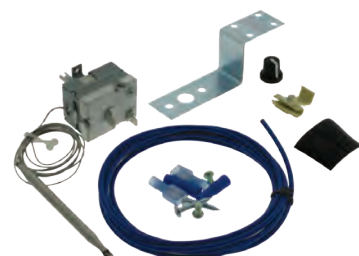
EF0314
12" Blade



EF9039
Shroud
Suits DCSL10 fans



EF9020
Thermatic Fan Switch
Mechanical



Blades

Fan Blades Kysor - Red Dot



Part No.	Application	Dia.	Blades	Pitch Width	Rotation	Hub Size	Hub Location	Material
HF5381	Kysor	203	5	27	CCW	7.9	Front	Aluminium
HF5382	Kysor	203	5	27	CW	7.9	Back	Aluminium
HF5530	Kysor	178	5	38	CW	7.9	Front	Aluminium
HF5605	Kysor	205	5	50	CW	7.9	Front	Aluminium
HF5330	Kysor	228	4	65	CW	7.9	Front	Aluminium
HF6001	Kysor	254	4	54	CW	7.9	Front	Aluminium
HF8080	Red Dot - suits R9725	203	5		CW	7.9		Aluminium
HF8100	Red Dot - suits R9720, R9727, R6060, R6000	254	4		CW	7.9		Aluminium
HF8110	Red Dot - suits R6160	254	4		CW	7.9		Aluminium

Fan Blades

Part No.	Application	Diameter
EF8205	Universal	10" with steel centre
EF9003	Universal	17" Plastic



Accessories

EF7924
Mounting Feet
Straight - Each



EF7925
Mounting Feet
Baco Fans - Pkt. 4



EF7926
Mounting Feet
Baco Fans - Each



EF7946
Mounting Feet
Tripac Fans - Each
23mm thick



EF7923
Fan Mount Kit
Universal - Pkt. 4



EF7927
Tie Rod Mount Kit
Universal - Pkt. 4

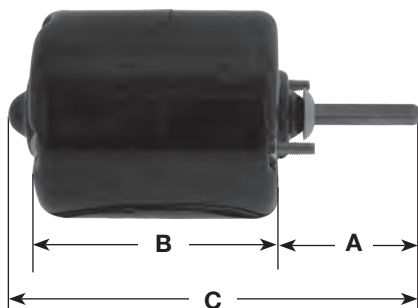


EF7930
Fan Thermostat

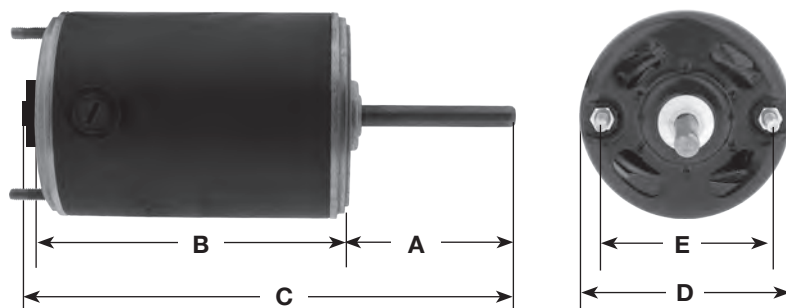


Universal Single Shaft Fan Motors

Style A Vented Motors



Style B Sealed Motors



Jaylec Single Shaft

Part No.	Volts	Speed	A	B	C	D	E	Shaft Dia.	Style	Rotation
EM9019	12	1	58	98	161	75	61	7.9	B Sealed	CW
EM9022	12	1	59	108	182	75	58	7.9	B Sealed	CW
EM9066	12	3	50	85	148	75	58	7.9	A Vented	CW
EM9067	12	3	50	85	148	75	58	7.9	A Vented	CCW
EM9020	24	1	58	98	161	75	61	7.9	B Sealed	CW
EM9024	24	1	59	108	174	75	58	7.9	B Sealed	CW
EM9068	24	3	52	86	149	75	58	7.9	A Vented	CW
EM9069	24	3	50	85	148	75	58	7.9	A Vented	CCW

Kysor Single Shaft



Part No.	Application	Volts	Speed	A	B	C	D	E	Shaft Dia.	Style	Rotation	Genuine Cross Ref.
EM5165	Kysor HD1000, KA300	12	1	25	106	150	78	N/A	7.9	Sealed	CCW	275165 / 1075009
EM1812	Kysor Condenser	24	1	28	104	132	76	N/A	7.9	Sealed	CW	275230 / 1075012
EM5265	Kysor HD1000 Kombo Condenser	24	1	28	104	N/A	76	N/A	7.9	Sealed	CW	275265 / 1075016

Red Dot Single Shaft



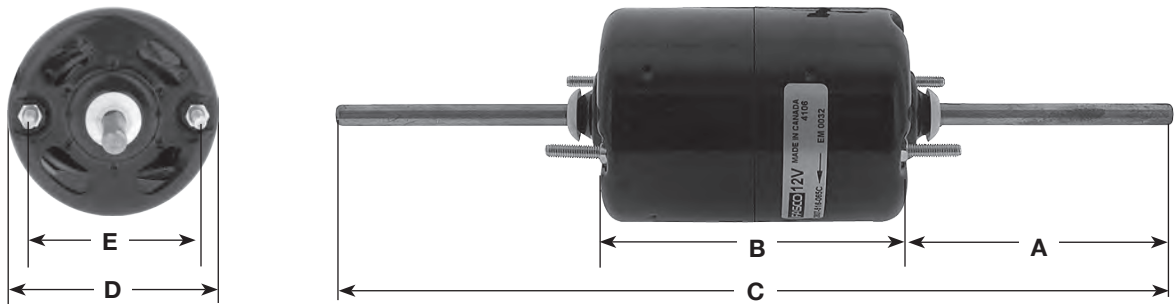
Part No.	Application	Volts	Speed	A	B	C	D	E	Shaft Dia.	Style	Rotation	Genuine Cross Ref.
EM2102		12	1	27	105	147	79	Plate (Flange)	7.9	Vented	CW	73R2102 / RD-5-4937-0P
EM4802	R-6000, R-9720, R-9730	12	1	28	101	152	76	58.7	7.9	Sealed	CW	73R0512 / RD-5-5120-0P
EM7174	R-6100, R-9725, R-9727	12	1	31	101	155	76	58.7	7.9	Sealed	CW	73R0542 / RD-5-7129-0P
EM7017	R-4170, R-4180, R-5040, R-7830	12	1	41	101	168	76	58.7	7.9	Vented	CCW	73R0402 / RD-5-6526-1P
EM7006	R-4013, R-4070, R-7810	12	2	38	86	146	76	58.7	7.9	Vented	CCW	73R0602 / RD-3106-13P / 2807-517-012



Universal Single Shaft Fan Motors

Part No.	Application	Volts	Speed	A	B	C	D	E	Shaft Dia.	Style	Rotation	Genuine Cross Ref.
EM0204	R3911-H, R-7211-5	24	1	36	76	134	76	58.7	7.9	Sealed	CCW	73R0204 / RD-3106-24
EM0504	Suits EV9204	24	1	25	101	149	76	58.7	7.9	Sealed	CW	73R0204 / RD-3106-24P
EM0364	Caterpillar	24	1	25	101	152	76	58.7	7.9	Sealed	CCW	73R0364 / RD5-6071-0 Cat # 174-1505
EM4812	R-6000, R-9720, R-9730	24	1	28	101	152	76	58.7	7.9	Sealed	CW	73R0514 / RD-5-5120-24P
EM7175	R-6160, R-9725, R-9727	24	1	31	101	155	76	58.7	7.9	Sealed	CW	73R0544 / RD-5-7129-24P
EM0454	R-5040	24	1	41	98	160	76	58.7	7.9	Vented	CCW	73R0454 / RD-5-3751-24P
EM7117	R-6130, R-7830	24	1	41	101	161	76	58.7	7.9	Vented	CCW	73R0404 / RD-5-4827-24P
EM7106	R-4013, R-7810	24	2	38	86	146	76	58.7	7.9	Vented	CCW	73R0604 / RD-3106-13-24P

Universal Double Shaft Fan Motors

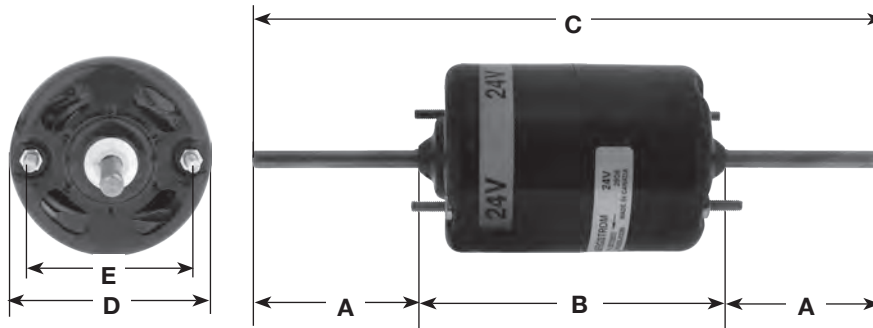


Double Shaft

Part No.	Application	Volts	Speed	A	B	C	D	E	Shaft Dia.	Style	Rotation
EM0922	Formula King	12	1	59/61	73	230	67	58	7.9	Sealed	CW
EM9018	Universal	12	1	93/101	90	292	75	58	7.9	Sealed	CW
EM9032	Universal	12	3	85/86	105	297	76	58.7	7.9	vented	CW
EM9075	Suits AMC UHD-1	12	3	72/75	85	254	76	58.7	7.9	Vented	CW
EM7052	Universal	12	3	109/121	106	348	90	72	9.5	Vented	CW/CCW
EM9017	Universal	24	1	93/101	90	292	75	58	7.9	Sealed	CW
EM9033	Suits EM0195	24	3	85/86	105	297	76	58.7	7.9	Vented	CW
EM9081	Suits AMC UHD-1	24	3	72/75	86	254	76	58.7	7.9	Vented	CW
EM0926	Formula King	24		60/60	80	230	75	68	7.9	Sealed	CW

Kysor Double Shaft												
Part No.	Application	Volts	Speed	A	B	C	D	E	Shaft Dia.	Style	Rotation	Genuine Cross Ref.
EM7018	Kysor KA-300 blwr 83> on	12	1	63.5	120	247	76	N/A	7.9	Vented	CCW	275152 / 1099004
EM5256	Kysor HD1000 Kombo	24	1	67	N/A	N/A	77	N/A	7.9	Sealed	CCW	275256 / 1075014

Red Dot Double Shaft Motors



Red Dot Double Shaft

Part No.	Application	Volts	Speed	A	B	C	D	E	Shaft Dia.	Style	Rotation	Genuine Cross Ref.
EM7022	R-8515, R-8535, R-9727	12	1	51	112	214	76	58.7	7.9	Sealed	CW/ CCW	73R4202 / RD-5-3757-12P / E2809-541-028
EM4262	R-6000, R-6100, R-8545	12	1	54	122	230	76	58.7	7.9	Vented	CW/ CCW	73R4262 / RD-5-5121-1P
EM7073	R-9750, R-9775	12	1	92	122	306	76	58.7	7.9	Vented	CW/ CCW	73R4252 / RD-5-5121-0P
EM7003	R-2000, R-8500, R-9755	12	3	76	101	253	76	58.7	7.9	Vented	CW/ CCW	73R4102 / RD-5-3780-0P / 2807-513-087
EM7122	R-8515, R-8535, R-9727	24	1	51	112	214	76	58.7	7.9	Sealed	CW/ CCW	73R4204 / RD-5-3757-24P / E2809-541-027
EM4264	R-6000, R-6100, R-8545	24	1	54	122	230	76	58.7	7.9	Vented	CW/ CCW	73R4264 / RD-5-5121-2P
EM7019	R-5045, R-7250, R-9757, R-9800	24	1	73	135	281	76	58.7	7.9	Vented	CW/ CCW	73R4424 / RD-5-5049-2P
EM4064	R-2100, R-2110	24	1	82	93	257	76	58.7	7.9	Vented	CW/ CCW	73R4064 / RD-5-6969-0P
EM7173	R-2120, R-9750	24	1	92	122	306	76	58.7	7.9	Vented	CW/ CCW	73R4254 / RD-5-5121-24P





Universal Fan Motors



Jayair Universal Fan Motors

Part No.	Volts, Watts	Shaft
EM1156	12V, 130W	25mm
EM1116	24V, 130W	25mm
EM1115	24V, 130W	25mm
EM1113	H/Duty 24V, 130W	25mm



Cooltemp Universal Fan Motors

Part No.	Volts, Watts	Reference
EM0001	12V, 80W	FM0001
EM0002	24V (FM0003)	FM0003



Davies Craig Universal Fan Motors

Part No.	Volts, Watts	Reference
EM9303	12V, 80W	SSW-9511E
EM9301	12V, 80W	SSW-9511E & SPACER
EM9304	24V, 80W	SSW-9524E
EM9302	24V, 80W	SSW-9524E & SPACER
EM9312	24V, 80W Sealed Type	SSW-9584E
EM9315	12V, 130W	Y-706-21
EM1160	24V, 130W	Y-706-23
EM1118	12V, 225W	ZD 1788A





Audi

EF1430
Audi 80, 8/78-3/87

Radiator Fan Motor & Blade

191959455T



EF1218
Audi 80, 8/84-8/86

Radiator Fan Motor & Blade

165959455L / N



EF1308
Audi 80, 86-95
Audi 90, 87>
Audi 100, 82-90

Radiator Fan Motor & Blade

811959455R



EF1217
Audi 80, 86-95
Audi 90, 87>
Audi 100, 71-76

Radiator Fan Motor & Blade

165959455AA / T



EF1216
Audi A3, 9/98>
Audi TT, 9/98>

Radiator Fan Motor & Blade

345mm diameter
6X0959455A / F



EF1312
Audi A4, 7/02-3/09
Audi S4, 04-09

Radiator Fan

8E0959455J



EF1310
Audi A4, 95-00

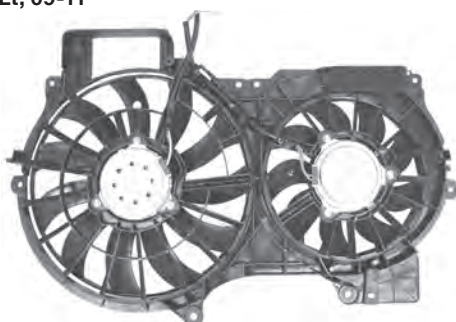
Condenser Fan

All engines



EF1432
Audi A6, 3.0, 3.2Lt, 09-11

Dual Assembly



EF1219
Audi Q7, 3/06-5/11

Radiator Fan Motor & Blade

7L0959455B / E



EF1425
Audi Q7, 3/06>

Radiator Fan Motor & Blade

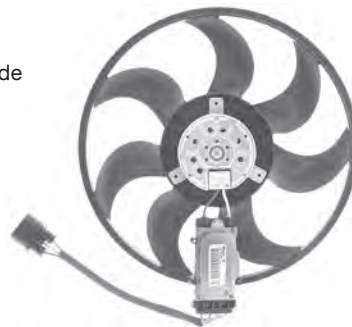
Includes Module
7L0959455F
95595913400



EF1426
Audi Q7, 3/06>

Radiator Fan Motor & Blade

Includes Module
7L0959455G



EF6511
BMW 3 Series, E30, 318i, 323i, 82-87

Condenser Fan



Picture unavailable at time of printing
refer www.cooldrive.com.au

EF6514
BMW 3 Series, E36, 4 cyl, 95-02

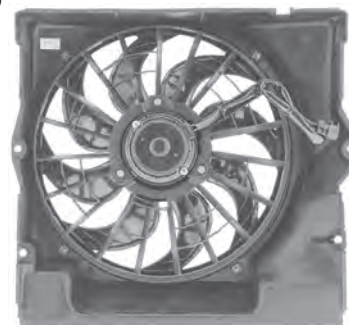
Condenser Fan



Bosch systems
Picture unavailable at time of printing
refer www.cooldrive.com.au

EF6501
BMW 3 Series, E36, 93-99

Condenser Fan

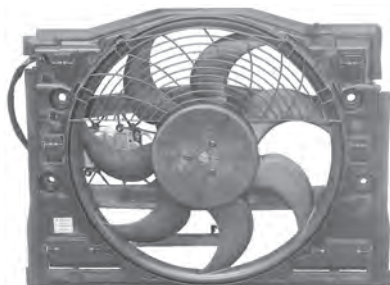


64508364093
64541385160

EF6550
BMW 3 Series, E36, 93-95
BMW 3 Series, E46, 98-05

Radiator Fan

Includes Module
64546988913



EF6515
BMW 3 Series, E46, 98-5/05

Condenser Fan



Includes Module
Picture unavailable at time of printing
refer www.cooldrive.com.au

EF1155
BMW 3 Series, E46, 318i, 98-03

Radiator Fan Motor & Blade

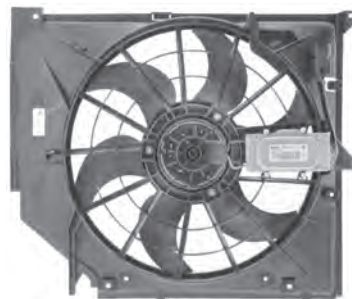
No Electric
Control Module
17117525508



EF6555
BMW 3 Series, E46, 318i, 98-03

Radiator Fan

Includes Module
17117525508



EF1088
BMW 5 Series, E39, 96-9/98

Condenser Fan

6454380780



EF6503
BMW 5 Series, E34, 88-96
BMW 7 Series, E32, 88-96

Condenser Fan

includes Resistor
64541392913



EF6513
BMW X5, 3.0, 4.4Lt Petrol, 00-04

Condenser Fan



Picture unavailable at time of printing
refer www.cooldrive.com.au

EF6512
BMW X5, 3.0Lt Diesel, 00-04

Condenser Fan



Picture unavailable at time of printing
refer www.cooldrive.com.au



EF1337
Chrysler Crossfire, 03>

Radiator Fan



EF1159
Chrysler PT Cruiser, 01-02

Condenser Fan



EF1383
Chrysler Voyager, 4 & 6 cyl, 01-02

Condenser Fan

Right Hand Mount



Picture unavailable at time of printing
refer www.cooldrive.com.au

EF1384
Chrysler Voyager, 4 & 6 cyl, 01-02

Radiator Fan

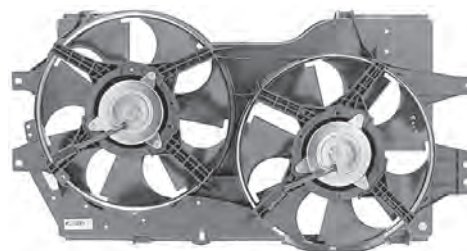
Left Hand Mount



Picture unavailable at time of printing
refer www.cooldrive.com.au

EF1158
Chrysler Voyager, V6, 96-99

Dual Assembly



Citroen/Daewoo

EF1367
Citroen Berlingo, 11/02>

Radiator Fan

3 Speed



Picture unavailable at time of printing
refer www.cooldrive.com.au

EF1366
Citroen C5, 00-05

Radiator Fan



Picture unavailable at time of printing
refer www.cooldrive.com.au

EF1122
Daewoo Cielo, 1.5Lt, >97
Daewoo Espero, 1.5Lt, >97

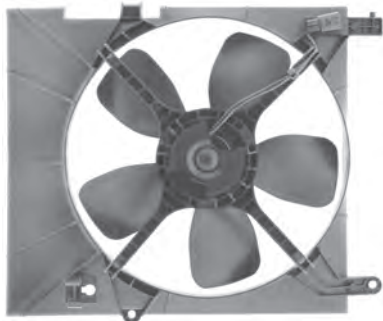
Condenser Fan

96164864



EF5146
Daewoo Kalos, 05>

Radiator Fan



EF1179
Daewoo Lanos, 97>

Radiator Fan



EF1120
Daewoo Lanos, 97>

Condenser Fan

96182264



EF1178
Daewoo Leganza, 2.0Lt, 97-01
Daewoo Nubira Series I & II,
2.0Lt, 97-01

Condenser Fan

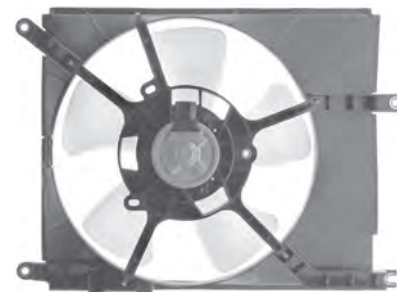


Daihatsu/Doosan

EF3912
Daihatsu Charade, 02>

Radiator Fan

16360-B2010



EF3911
Daihatsu Sirion, 97>

Radiator Fan

16670-97201

EF3930
Daihatsu Sirion, 1.0Lt

Condenser Fan

88590-97402

EF3910
Daihatsu Sirion, 1.3Lt

Condenser Fan

88590-97401

EF1011
Doosan Solar V Excavator

Condenser Fan

300506-00004

Ford

EF5375
Ford Escape, 3.0Lt, V6, 01>

Dual Assembly

MZAJ0615025

EF8004
Ford Falcon BF, FG, 05>

Radiator Fan

3R238C607BC

EF8005
Ford Falcon BF, FG, 05>

Radiator Fan

EM5512
Ford Falcon BA II, BF, 5/05>

Radiator Fan Motor

EF8003
Ford Falcon BA, 6 & 8 cyl, 02-04

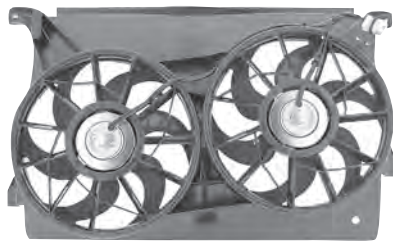
Dual Assembly

BA8C607A

EF8002
Ford Falcon AU, 99-02

Dual Assembly

ER8C607A



EF5528
Ford Falcon AU, BA, 99-04

Radiator Fan Blade

340mm diameter



EM5510
Ford Falcon AU, BA, 99-04

Radiator Fan Motor

Driver side
ER8K621



EM5511
Ford Falcon AU, BA, 99-04

Radiator Fan Motor

Passenger side



EF3034
Ford Falcon EL, 6 cyl 95-97
Ford Falcon XH Ute,
6 cyl, 95-97

Dual Assembly

Single plug
EL8C607A



EM5503
Ford Falcon EL, 95-97

Radiator Fan Motor

Passenger side
EL8K621A



EM5504
Ford Falcon EL, 95-97

Radiator Fan Motor

Driver side
EL8K621B



EF5515
Ford Falcon EF, EL, 94-97

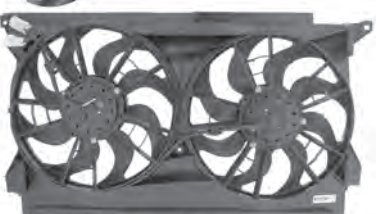
Radiator Fan Blade



EF3031
Ford Falcon EF, 94-95

Dual Assembly

2 x plugs
EF8C607A



EM5500
Ford Falcon EF, 94-95

Radiator Fan Motor

2 speed
EF8K621B





HF9009

Ford Falcon EA-ED, 3/88-8/94
Ford Falcon XG Ute, MPI, 3/93-3/96

Radiator Fan Blade

EA8600A



EF1121

Ford Festiva WF, 4/98 >

Condenser Fan



EF1150

Ford Festiva WB, 94-98

Radiator Fan



EF1100

Ford Festiva, 1.3Lt, 88-93

Radiator Fan



EF1400

Ford Festiva, 88-93

Condenser Fan



EF5385

Ford Focus, 2.0Lt, 5/05>

Radiator Fan

Includes Module
Z602150225B



EF1231

Ford Focus, 1.8, 2.0Lt, 9/02-4/05

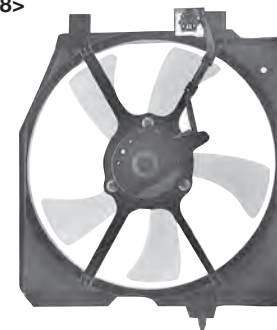
Dual Assembly



EF5379

Ford Laser KJ, KN, KQ, 1/98>

Condenser Fan



EF5372

Ford Laser KN, 1.8Lt, 97>

Radiator Fan Blade



EF5373

Ford Laser KN, 1.8Lt, 97>

Condenser Fan Shroud

ZL0415210B



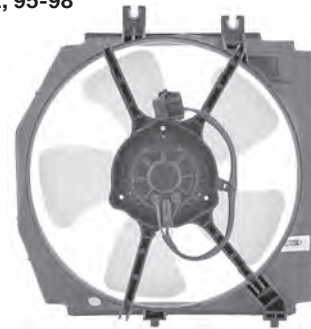
EF5020
Ford Laser KJ Liata, 95-98

Condenser Fan



EF1151
Ford Laser KJ Liata, 1.8Lt, 95-98

Radiator Fan



EF5371
Ford Laser KJ, 1.8Lt, 94-99

Radiator Fan Blade

E35815140



EF1089
Ford Laser KF, KH, 90-95

Radiator Fan

Carburettor engines



EF1135
Ford Laser KF, KH, 1.6Lt, 90-95

Condenser Fan



EF1232
Ford Mondeo HE, 2/00-12/00

Radiator Fan



EF1165
Ford Mondeo, HA, HB, HC, HD
7/95-2/00

Dual Assembly



EF1097
Ford Telstar AR, 83-86

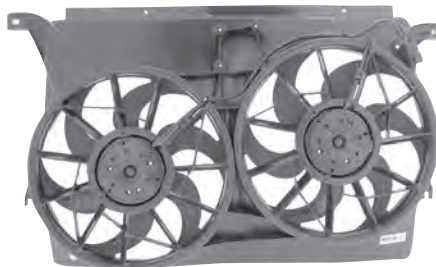
Radiator Fan



EF8003
Ford Territory, SX, SY 4.0Lt 6 cyl
5/04-4/11

Dual Assembly

BA8C607A



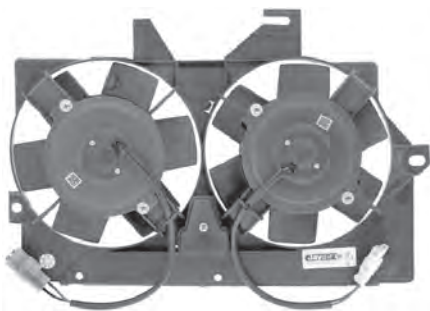
EF1163
Ford Transit, 2.3Lt Petrol
12/00-10/06

Radiator Fan



EF1164
Ford Transit, 2.3Lt Petrol
12/00-10/06

Condenser Fan



EF1233
Ford Transit, 2.4Lt Diesel, 01>

Radiator Fan

1C158C607FD



Hino

EM2030
Hino

Condenser Fan Motor

24V



EM5460
Hino

Radiator Fan Motor

24V
S871041080A



EF3722
Hino Dutro, 06>

Condenser Fan

88590-37070



Picture unavailable at time of printing
refer www.cooldrive.com.au

EF3730
Hino Dutro, 06>

Condenser Fan Blade



EM3700
Hino Dutro, 06>

Radiator Fan Motor

24V



EM5592
Hino FC, 97>

Condenser Fan Motor

24V



EM1290
Hino Ranger, 06>

Condenser Fan Motor

24V



EM1220
Hino Ranger, 00>

Condenser Fan Motor

24V
88450-1070



EF0670
Hino SS Ranger 50 series, 00>

Condenser Fan Blade



Holden

EF1251
Holden Astra AH, 12/04>

Radiator Fan Motor & Blade

From VIN 55084254
Manual Transmission
13205947



EF1253
Holden Astra AH, 12/04>

Radiator Fan Motor & Blade

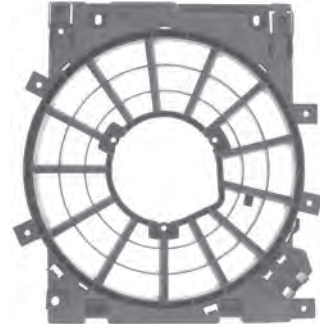
From VIN 55084254
Auto Transmission
13207167



EF1257
Holden Astra AH, 12/04>

Condenser Fan Shroud

From VIN 55084254
Auto Transmission
13126384



EF1255
Holden Astra AH, 12/04>

Condenser Fan Motor & Blade

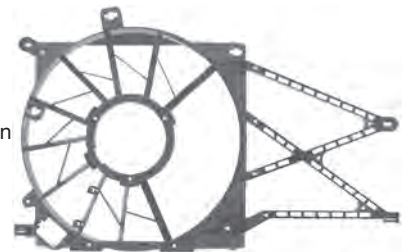
From VIN 55084254
Auto Transmission
13126382



EF1256
Holden Astra AH, 11/04-12/04

Radiator Fan Shroud

To VIN 55084253
Auto & Man Transmission
13128831



EF1250
Holden Astra AH, 11/04-12/04

Radiator Fan Motor & Blade

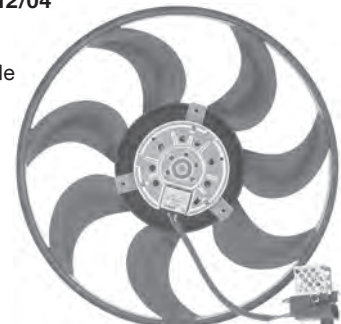
To VIN 55084253
Manual Transmission
13126354



EF1252
Holden Astra AH, 11/04-12/04

Radiator Fan Motor & Blade

Includes Resistor
To VIN 55084253
Auto Transmission
13147274





EF1254
Holden Astra AH, 11/04-12/04

Condenser Fan Motor & Blade

Includes Resistor
To VIN 55084253
Auto Transmission
13147278



EF1244
Holden Astra TS, 2.2Lt, 00-09

Radiator Fan Motor & Blade

Includes Resistor
90576739
24431825



EF1243
Holden Astra TS, 2.2Lt, 9/00-1/09
Holden Astra Convertible Turbo,
00-05

Radiator Fan Motor & Blade

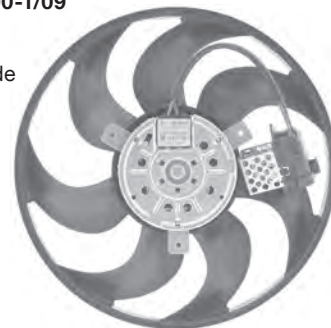
Includes Resistor
90570740
24431828



EF1242
Holden Astra TS, 2.2Lt, 9/00-1/09

Condenser Fan Motor & Blade

Includes Resistor
9132916
24431829



EF1246
Holden Astra TS, 98-05

Radiator Fan Motor & Blade

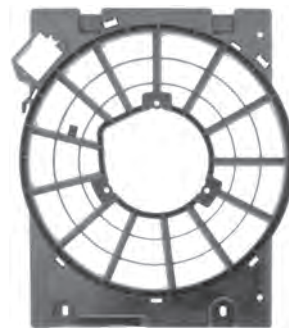
Includes Resistor
13128687



EF2754
Holden Astra TS, 9/98>11/01

Condenser Fan Shroud

90570741



EF2753
Holden Astra TS, 9/98-11/01

Condenser Fan Motor & Blade

Includes Resistor
24431827



EF1249
Holden Astra TS, 10/98>

Radiator Fan

90572751



EF1130
Holden Astra TS, 10/98>

Condenser Fan

90572756



EF1245
Holden Astra TR, 9/96-9/98

Radiator Fan

90504897
90511262



EF1241
Holden Astra, >9/98

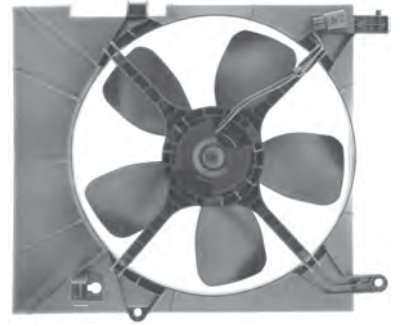
Radiator Fan Motor & Blade

90347536



EF5146
Holden Barina TK, 1.6Lt, 12/05>

Radiator Fan



EF1213
Holden Barina TK, 1.6Lt, 12/05>

Radiator Fan Shroud

93742533



EF1193
Holden Barina XC, 9/01-12/05

Condenser Fan

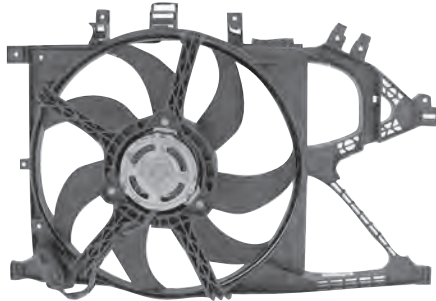
From VIN 4400001
Suits CN6326



EF1180
Holden Barina XC, 9/01-12/05

Radiator Fan

with A/C



EF1181
Holden Barina XC, 1.4, 1.8Lt
9/01-12/05

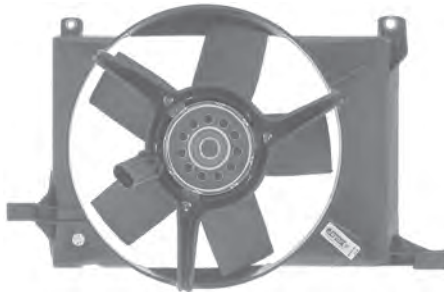
Condenser Fan

Suits CN6322



EF5144
Holden Barina SB, 5/94-2/01

Radiator Fan



EF5147
Holden Barina SB, 5/94-2/01

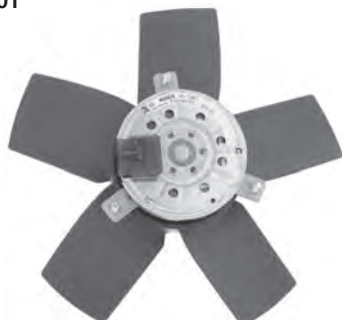
Radiator Fan



EF1247
Holden Barina SB, 5/94-2/01
Holden Combo, 3/96-9/02

Radiator Fan Motor & Blade

Air International system
9117716



EF5150
Holden Barina SB, 5/94-2/01
Holden Combo, 3/96-9/02

Condenser Fan

Air International system
Suits CN7033



EF1194
Holden Barina, 4/94-2/01

Condenser Fan

Suits CN6318



EF1241
Holden Calibra, 6/90-7/97

Radiator Fan Motor & Blade

90347536



EF5590
Holden Captiva, Diesel, 3/07>

Dual Assembly

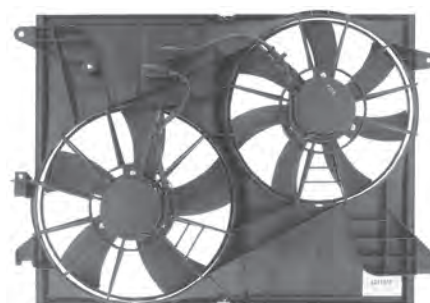
96829535



EF5591
Holden Captiva, Petrol, 10/06>

Dual Assembly

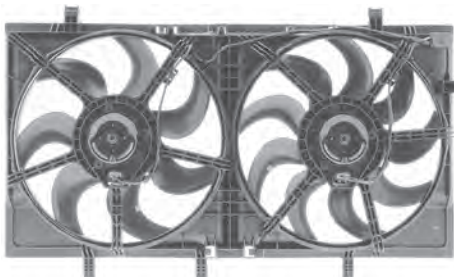
96629064



EF2533
Holden Commodore VE, V6, 8/06>

Dual Assembly

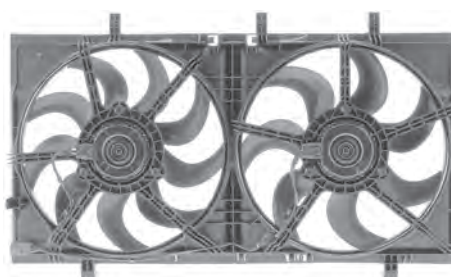
92191936



EF2534
Holden Commodore VE, V8, 8/06>

Dual Assembly

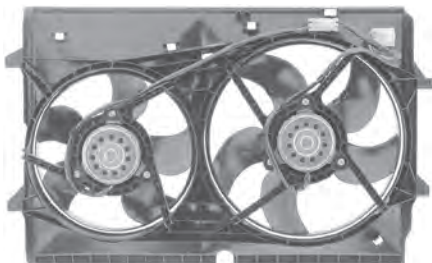
92191937



EF3747
Holden Commodore VZ, V8, 04-06

Dual Assembly

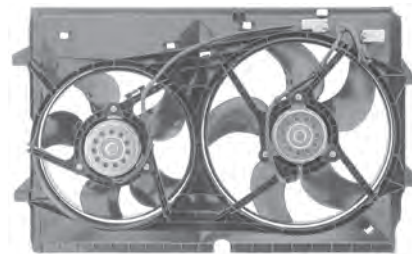
Auto Transmission



EF3749
Holden Commodore VZ, V8, 04-06

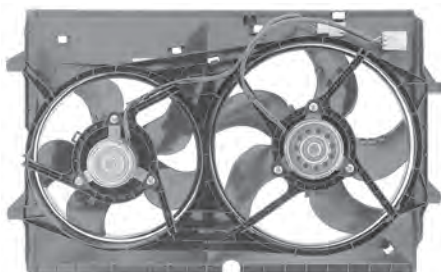
Dual Assembly

Manual Transmission



EF3745
Holden Commodore VZ, V6, 04-06

Dual Assembly



EF1198
Holden Commodore VZ, 6 & 8 cyl, 04-06
Holden Crewman VZ, 6 & 8 cyl, 04-06
Holden Adventra VZ, 6 & 8 cyl, 04-06

Radiator Fan Shroud


92147981



EF2748
 Holden Commodore VZ, V8, 04-06
 Holden Crewman VZ, V6, 04-06
 Holden Adventra VZ, V6, 04-06

Radiator Fan Motor & Blade


Driver side, Large
 92147983



EF2747
 Holden Commodore VZ, V8, 04-06
 Holden Crewman VZ, V6, 04-06
 Holden Adventra VZ, V6, 04-06

Radiator Fan Motor & Blade


Passenger side, Small
 92147982



EF2750
 Holden Crewman VZ, V8, 04-06
 Holden Adventra VZ, V8, 04-06

Radiator Fan Motor & Blade


Passenger side, Small
 92148990



EF2749
 Holden Crewman VZ, V8, 04-06
 Holden Adventra VZ, V8, 04-06

Radiator Fan Motor & Blade


Driver side, Large
 92148991



EF2745
 Holden Commodore VZ, V6, 04-06

Radiator Fan Motor & Blade

Driver side, Large
 92147985



EF2746
 Holden Commodore VZ, V6, 04-06


Radiator Fan Motor & Blade

Passenger side, Small
 92147984



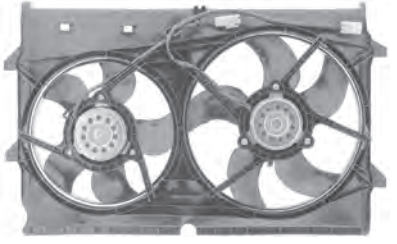
EF3743
 Holden Commodore VY, V8, 02-04

Dual Assembly




EF3753
 Holden Crewman VY, V8, 02-04
 Holden Adventra VY, V8, 02-04

Dual Assembly




EF3751
 Holden Crewman VY, V6, 02-04
 Holden Adventra VY, V6, 02-04

Dual Assembly



EF3741
 Holden Commodore VY, V6, 02-04

Dual Assembly



EF1197
Holden Commodore VY, V8, 02-04

Radiator Fan Shroud

92145776

EF1196
Holden Commodore VY, V6, 02-04

Radiator Fan Shroud

92145770

EF2743
Holden Commodore VY, V8, 02-04
Holden Statesman WH, V8 5/00-4/03

Radiator Fan Motor & Blade

Passenger side, Small

92145777

EF2744
Holden Commodore VY, V8, 02-04
Holden Statesman WH, V8 5/00-4/03

Radiator Fan Motor & Blade

Driver side, Large

92145778

EF2741
Holden Commodore VY, V6, 97>

Radiator Fan Motor & Blade

Driver side, Small

92145771

EF2742
Holden Commodore VY, V6, 02-04

Radiator Fan Motor & Blade

Passenger side, Large

92145772

EF1195
Holden Commodore VT, V6, 97-00
Holden Commodore VX, V6, 00-02

Dual Assembly

From VIN L435512

EF1186
Holden Commodore VT, V6, 97-00

Dual Assembly

To VIN L435512
2 x 4 pin plugs

EF4180
Holden Commodore VT, 97-00
Holden Commodore VT, VX, V8, 97-02

Radiator Fan Shroud

To VIN L435512
92140431

EF5850
Holden Commodore VT, VX, 97-02

Radiator Fan Shroud

From VIN L435513
92142559

EF1710

Holden Commodore VT, VX, 97-02

Radiator Fan Blade

305mm diameter
92142563



EM6520

Holden Commodore VT, VX, VU
5.7Lt, V8 98>

Radiator Fan Motor

From VIN L435512



EM6430

Holden Commodore VT, V6, 97>

Radiator Fan Motor

To VIN L435512
92140430



EM1150

Holden Commodore VT, V6, 97-02
Holden Commodore VT, VX, VU, V6,
97-02

Radiator Fan Motor

88mm diameter
92142566



EM5280

Holden Commodore VT, V6, 97-02
Holden Commodore VT, VX, VU, V6,
97-02

Radiator Fan Motor

72mm diameter
92142560



EF2740

Holden Commodore VT, V6, 97-02
Holden Commodore VT, VX, VU, V8,
97-02

Radiator Fan Blade

305mm diameter
92140429

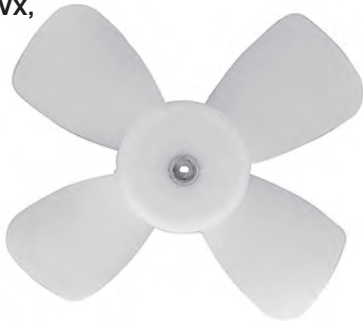


EF1280

Holden Commodore VT, V6, 97-02
Holden Commodore VT, VX,
VU, V6, 97-02

Radiator Fan Blade

340mm diameter
92142562



EF1990

Holden Commodore VT, V6, V8, 97-02
Holden Commodore VT, VX, VU, V8,
97-02

Radiator Fan Blade

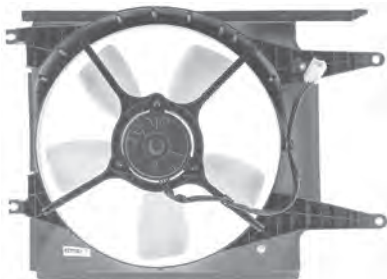
To VIN L435512
340mm diameter
92140428



EF1185

Holden Commodore VS, V6, 4/95-8/97

Radiator Fan

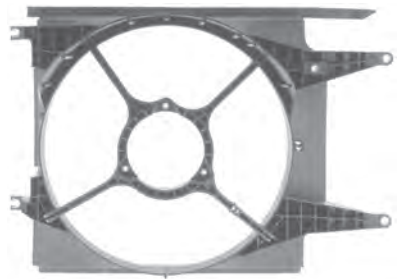


EF2530

Holden Commodore VS, V6, 4/95-8/97

Radiator Fan Shroud

92049284



DIRECT REPLACEMENT FANS



EM6331

Holden Commodore VS, V6, 4/95-8/97

Radiator Fan Motor

92049283



EF2660

Holden Commodore VS, V6, 4/95-8/97

Radiator Fan Blade

92049282



EF1114

Holden Commodore VR, VS, 6 & 8 cyl
7/93-3/97
Holden Commodore VP V8, >3/93

Condenser Fan



EF1184

Holden Commodore VN, VP, VR, 8/88-4/95

Radiator Fan



EF2529

Holden Commodore VN, VP, VR, 8/88-4/95

Radiator Fan Shroud

92035532



EM6332

Holden Commodore VN, VP, VR, 8/88-4/95

Radiator Fan Motor

92035531



EF2659

Holden Commodore VN, VP, VR, 8/88-4/95

Radiator Fan Blade

92035530



HF9005M

Holden Commodore VL, 6 cyl, 84-86

Radiator Fan Blade

2106042L00

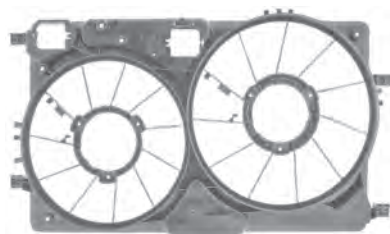


EF1382

Holden Cruze JG, 2.0Lt Diesel, 6/09>

Radiator Fan Shroud

13267632
13337279



EF1381

Holden Cruze JG, 2.0Lt Diesel, 6/09>

Radiator Fan Motor & Blade

Right Hand Mount
52421097
13267644



EF1380

Holden Cruze JG, 2.0Lt Diesel, 6/09>

Radiator Fan Motor & Blade

Left Hand Mount
52421103
13267643

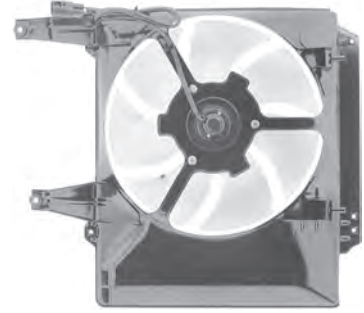


EF1350

Holden Cruze YG, 6/02-6/06

Condenser Fan

92125272



EF1103

Holden Nova LE, LF, 1.6Lt, 8/89-10/94

Radiator Fan



EF1116

Holden Nova LE, LF, 1.6Lt, 8/89-10/94

Condenser Fan



EF1190

Holden Rodeo RA03, 3/03>

Condenser Fan

92148013



EF1114

Holden Statesman VQ, V8, 11/91-2/94

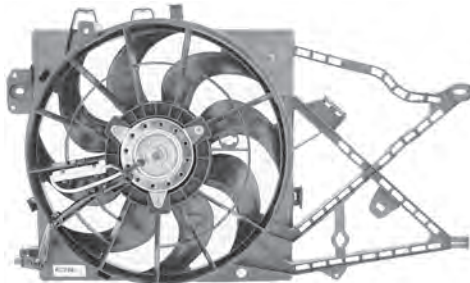
Condenser Fan



EF1168

Holden Vectra JR, JS, 2.0Lt, 6/97>

Radiator Fan

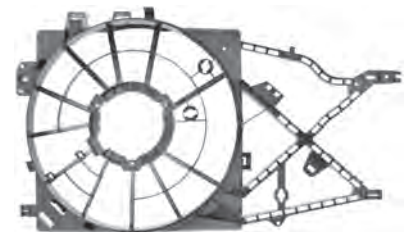


EF1142

Holden Vectra JR, JS, 2.0
2.2, 2.6Lt, 6/97>

Radiator Fan Shroud

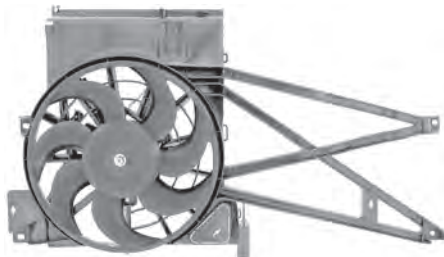
vehicles with OE A/C
only



EF1169

Holden Vectra JR, JS, 2.0Lt, 6/97>

Condenser Fan



EF1140

Holden Vectra JR, JS, 2.2
2.6Lt, 6/97>

Condenser Fan Motor & Blade

180W
vehicles with OE A/C only



EF1241
Holden Vectra, 9/88-11/95

Radiator Fan Motor & Blade

90347536

EF1244
Holden Zafira TT, 2.2Lt, 6/01-5/06

Radiator Fan Motor & Blade

Includes Resistor
90576739
24431825

EF1242
Holden Zafira TT, 2.2Lt, 6/01-5/06

Condenser Fan Motor & Blade

Includes Resistor
9132916
24431829

EF1249
Holden Zafira TT, 2.2Lt, 6/01-5/06

Radiator Fan

90572751

EF1130
Holden Zafira TT, 2.2Lt, 6/01-5/06

Condenser Fan

90572756



EF1545
Honda Accord, V6, 08>

Radiator Fan

Auto Transmission

EF1546
Honda Accord, V6, 08>

Radiator Fan Shroud

Auto Transmission

EM8671
Honda Accord, V6, 08>

Radiator Fan Motor

Auto Transmission
19030R40A010M1

EF1547
Honda Accord, V6, 08>

Radiator Fan Blade

Auto Transmission
19020RWPJ511M1

EF1535
Honda Accord Euro, 08>

Radiator Fan

Auto Transmission



EF1536
Honda Accord Euro, 08>

Radiator Fan Shroud

Auto Transmission



EM8680
Honda Accord Euro, 08>

Radiator Fan Motor

Auto Transmission
38616R40A010M1



EM8650
Honda Accord Euro, 08>

Radiator Fan Motor

Auto Transmission
19030R70A010M1



EF1537
Honda Accord Euro, 08>

Radiator Fan Blade

Auto Transmission
19020RCJA010M1



EF1540
Honda Accord Euro, 08>

Condenser Fan

Auto Transmission
38615R40A01



EF1542
Honda Accord Euro, 08>

Condenser Fan Shroud

Auto Transmission
38615R40A010M1



EF1543
Honda Accord Euro, 08>

Condenser Fan Blade

Auto Transmission
38611R40A010M1



EF1262
Honda Accord Euro, 02>

Radiator Fan



EF1147
Honda Accord, V6, 98-02

Radiator Fan



EF5267
Honda Accord, 93-97

Condenser Fan



Picture unavailable at time of printing
refer www.cooldrive.com.au

EF5268
Honda Accord, 93-98

Radiator Fan



Denso systems

Picture unavailable at time of printing
refer www.cooldrive.com.au

EF1102
Honda Accord, 90-94

Radiator Fan



EF1113
Honda Accord, 90-94

Condenser Fan



EF1101
Honda Accord, 86-89

Radiator Fan



EF4810
Honda Civic, 06>

Condenser Fan



EF3120
Honda Civic, 06>

Condenser Fan Shroud

38615RNAA01



EM3200
Honda Civic, 06>

Condenser Fan Motor

38616RNAA01



EF6350
Honda Civic, 06>

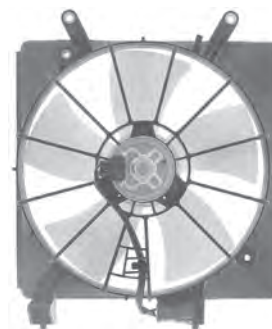
Condenser Fan Blade

38611RNAA01



EF1550
Honda Civic, Hybrid, 04>

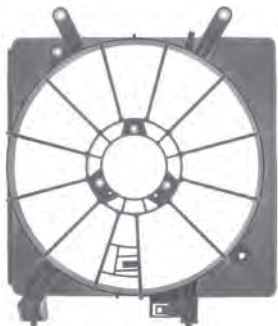
Radiator Fan



EF1552
Honda Civic, Hybrid, 04>

Radiator Fan Shroud

19015PZA0030



EM5750
Honda Civic, Hybrid, 04>

Radiator Fan Motor



EF1557
Honda Civic, Hybrid, 04>

Radiator Fan Blade

19020PND0030



EF5269
Honda Civic Sedan, 00-06
Honda Civic Hatchback, 00-01

Radiator Fan



Picture unavailable at time of printing
refer www.cooldrive.com.au

EF1146
Honda Civic, 00-02

Condenser Fan



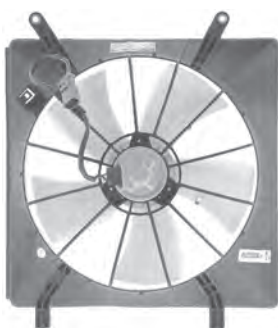
EF1093
Honda Civic, 92-3/96

Condenser Fan



EF1268
Honda CRV, 02-5/05

Radiator Fan



EM2575
Honda CRV, 02>

Radiator Fan Motor

88550-12160



EF1269
Honda CRV, 02-5/05

Condenser Fan



EM2570
Honda CRV, 02>

Condenser Fan Motor





EF1172
Honda CRV, 97-01

Radiator Fan



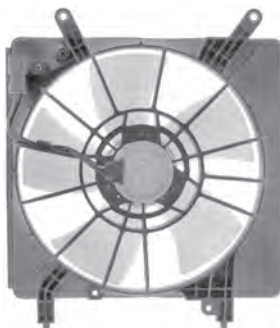
EF1173
Honda CRV, 97-01

Condenser Fan



EF1263
Honda Integra, 02>

Radiator Fan



EF1173
Honda Integra, 97-01

Condenser Fan



EF1145
Honda Integra, 97-99

Radiator Fan



EF1267
Honda Integra, 95>

Radiator Fan

19005P3G0031



EF1144
Honda Integra, 94-01

Radiator Fan

Denso systems



EF3182
Honda Jazz, 8/08>

Condenser Fan



EM8930
Honda Jazz, 8/08>



EM3070
Honda Jazz, 8/08>

Condenser Fan Motor

38616PWAJ01



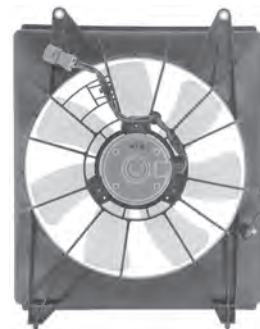
EF1261
Honda Legend, 96-98

Radiator Fan



EF1266
Honda Odyssey, 03>

Condenser Fan



EM5040
Honda Odyssey, 98>

Condenser Fan Motor



EF2170
Honda Odyssey, 98>

Radiator Fan



EF1264
Honda Odyssey

Radiator Fan



EF1261
Honda Prelude, 96-98

Radiator Fan



EM4650
Honda Prelude

Radiator Fan Motor

19030PK1671



EF2165
Honda S2000

Condenser Fan



Hyundai

EF1377
Hyundai Accent, Sedan, 06-08
Hyundai Accent, Hatchback, 06-08

Condenser Fan




Picture unavailable at time of printing
refer www.cooldrive.com.au

EF1370
Hyundai Accent, 6/00>

Radiator Fan


2538025000



EF1373
Hyundai Accent, 6/00>

Radiator Fan Shroud


2535025000



EF1376
Hyundai Accent, 6/00>

Radiator Fan Blade


2523125000



EF1200
Hyundai Accent, 6/00>

Condenser Fan


Auto Transmission
9773025000



EF1374
Hyundai Accent, 6/00>

Condenser Fan Shroud


Auto Transmission
9773525000



EF1201
Hyundai Accent, 6/00>

Condenser Fan


Manual Transmission
9773025100



EF1375
Hyundai Accent, 6/00>

Condenser Fan Shroud


Manual Transmission
9773525100



EF1203
Hyundai Accent, 6/00>

Condenser Fan Blade

Auto & Man Transmission
9773725000



EF1285
Hyundai Elantra MD, 6/11-


Radiator Fan

253803X000


Picture unavailable at time of printing
refer www.cooldrive.com.au

EF1277
Hyundai Elantra, 00-02

Radiator Fan



EF1276
Hyundai Elantra, 00-02

Condenser Fan



EF1189
Hyundai Excel, 10/94-99

Radiator Fan



EF1118
Hyundai Excel, 8/94-9/99

Condenser Fan



EF1275
Hyundai Excel X3, 1.5Lt, 8/94-9/99

Radiator Fan

SOHC
2538022020



EM2202
Hyundai Excel X3, 1.5Lt, 8/94-9/99

Radiator Fan Motor

SOHC
2538622020



EF1138
Hyundai Excel X2, 1.5Lt EFI, 6/89-7/94

Condenser Fan

Includes Resistor
9773024001



EF1279
Hyundai Getz, 02>

Condenser Fan



EF1129
Hyundai Grandeur XG30, 7/99>

Condenser Fan

977303800



EF1278
Hyundai i30, Petrol, 10/07>

Radiator Fan

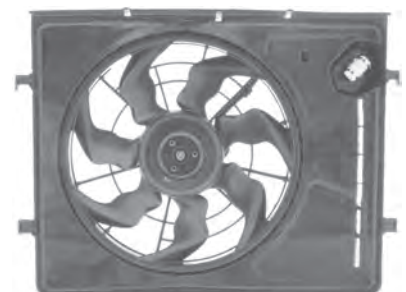
253802H600



EF1368
Hyundai i30, 6/06>

Radiator Fan

Includes Resistor
253802H151



EF1183

Hyundai Lantra J2, 5/95-6/00

Radiator Fan

**EF1124**

Hyundai Lantra J2, 5/95-5/00

Condenser Fan

9773029060

**EF1125**

Hyundai Lantra, 5/93-5/95

Condenser Fan

9773029050

**EF1202**

Hyundai Lavita, 5/01>

Condenser Fan

**EF1134**

Hyundai S Coupe, 7/92-3/96

Condenser Fan

Includes Resistor
Includes Module**EF1138**

Hyundai S Coupe, 3/90-7/92

Condenser Fan

Includes Resistor
9773024001**EF1271**

Hyundai Santa Fe, 02-03

Radiator Fan

**EF1270**

Hyundai Santa Fe, 02-03

Condenser Fan

9773026000

**EF1273**

Hyundai Sonata, 99-02

Condenser Fan

**EF1182**Hyundai Sonata EF, 4 cyl 2.0Lt, 5/98-9/01
Hyundai EF Facelift, 4/01>
Hyundai Trajet, 3/00>

Radiator Fan

2538038000
253803D100

EF1129

Hyundai Sonata EF, 4 cyl 2.0Lt, 5/98-9/01
Hyundai EF Facelift, 4/01>
Hyundai Trajet, 3/00>

Condenser Fan

977303800



EF1132

Hyundai Sonata I & II, 4 cyl 2.0Lt
7/93-4/98

Condenser Fan

9773034001



EF1124

Hyundai RD Coupe, 5/96>

Condenser Fan

9773029060



EF1183

Hyundai RD Coupe, 5/96>

Radiator Fan

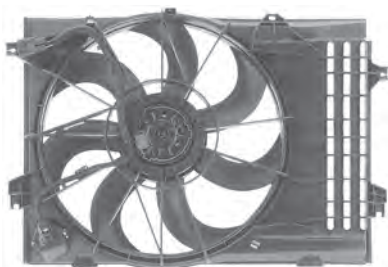


EF1207

Hyundai Tucson, 04>

Radiator Fan

Includes Resistor
253802E380
253801S380



Isuzu/Iveco

EM1320

Isuzu CXZ, 06>

Radiator Fan Motor



EM8490

Isuzu

Condenser Fan Motor

24V



EF0736

Iveco

Condenser Fan


12V 14"
Heavy Duty Motor



Jeep/Kia

EF1160
Jeep Cherokee, 88-96

Condenser Fan



EF5540
Jeep Grand Cherokee, 09-10

Condenser Fan


55037969AB


Picture unavailable at time of printing
refer www.cooldrive.com.au

EF1210
Jeep Grand Cherokee, V6 4.0Lt, 97-01

Condenser Fan


Offset lower mounts



EF1206
Kia Carnival, 9/01>

Condenser Fan


OK53A61482



EF1205
Kia Carnival, 98-4/01

Radiator Fan


OK55215025A



EF1223
Kia Carnival


Condenser Fan

F3004302GQ



EF0039
Kia Mentor Series I, 97-4/98

Condenser Fan



EM0001
Kia Mentor Series I, 97-4/98

Condenser Fan Motor


Cooltemp systems



EF1129
Kia Optima, 9/02>


Condenser Fan

97730-3800



EF1182
Kia Optima, 20/2/01-1/6/01

Radiator Fan



EF1228
Kia Rio, 1.6Lt 4 cyl, 7/05>

Radiator Fan



Picture unavailable at time of printing
refer www.cooldrive.com.au

EF1224
Kia Rio, 1.5Lt 4 cyl, 7/05>

Radiator Fan



EF1087
Kia Rio, 1.5Lt 4 cyl, 1/03-7/05

Condenser Fan



Picture unavailable at time of printing
refer www.cooldrive.com.au

97730-OC100
25380-OC100

EF1220
Kia Rio, 01-03

Condenser Fan



OK30A61710E

EF1222
Kia Shuma, 1/00-4/01
Kia Spectra, 5/01-6/04

Radiator Fan



Auto Transmission

EF1221
Kia Shuma, 1/00-4/01
Kia Spectra, 5/01-6/04

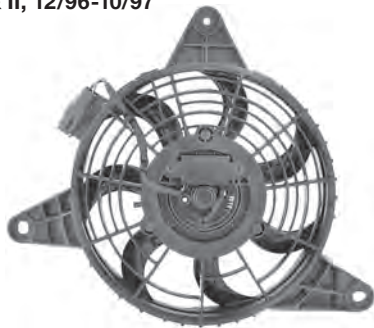
Condenser Fan



Auto Transmission
OK2A161710A

EF0055
Kia Sportage Series I & II, 12/96-10/97

Condenser Fan



Land Rover/Lexus

EM2321
Land Rover Discovery, 95-98

Condenser Fan Motor



EF2171
Lexus ES300, 02-03

Dual Assembly



EF2172
Lexus ES300, 99-01

Radiator Fan

Right Hand Mount

EF2168
Lexus IS200, GXE10R, 3/99-10/05

Dual Assembly

Includes Overflow Bottle
16360-70010-F

EF2174
Lexus IS300, 8/01-10/05

Dual Assembly

Includes Overflow Bottle

EF2381
Lexus IS350, GSE21R, 10/10>

Dual Assembly

EF2385
Lexus IS350, GSE21R, 10/10>

Radiator Fan Shroud

EF2173
Lexus RX330, MCU38R, 4/03-1/06

Dual Assembly

Includes Overflow Bottle
Includes Module

EF2151
Lexus RX350, GSU35R, 2/06-1/09

Dual Assembly

Includes Overflow Bottle
Includes Module

EF2152
Lexus RX350, GSU35R, 2/06-1/09

Radiator Fan Shroud

Includes Overflow Bottle

EM7140
Lexus RX350, GSU35R, 2/06-1/09

Radiator Fan Motor

16363-20270

EM8250
Lexus RX350, GSU35R, 2/06-1/09

Radiator Fan Motor

16363-31160

EF2155

Lexus RX350, GSU35R, 2/06-1/09

Radiator Fan Blade

16361-31210



EF2157

Lexus RX350, GSU35R, 2/06-1/09

Radiator Fan Blade

16361-31220

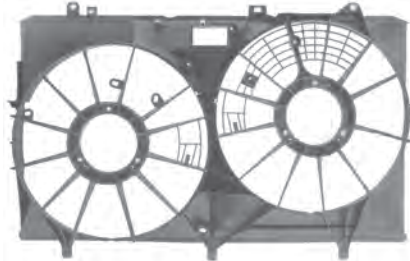


EF2361

Lexus RX450H, GLY15R, 6/09>

Radiator Fan Shroud

16711-31460



EM4780

Lexus RX450H, GLY15R, 6/09>

Radiator Fan Motor

16363-20390



EM5270

Lexus RX450H, GLY15R, 6/09>

Radiator Fan Motor

16363-31260



EF2363

Lexus RX450H, GLY15R, 6/09>

Radiator Fan Blade

7 Blade
16361-20260



Picture unavailable at time of printing
refer www.cooldrive.com.au

EF2365

Lexus RX450H, GLY15R, 6/09>

Radiator Fan Blade

5 Blade
16361-20250



Picture unavailable at time of printing
refer www.cooldrive.com.au



EM0001

Mazda 121, 1.3Lt, 8/94-96

Condenser Fan Motor

Cooltemp systems



EF1400

Mazda 121, 91-95

Condenser Fan





EF1100
Mazda 121, 88-93

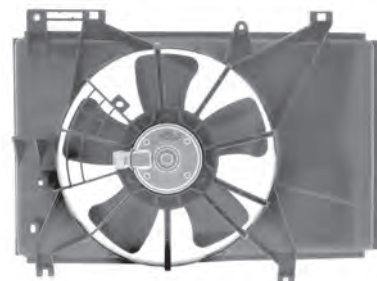
Radiator Fan

Manual Transmission



EF1282
Mazda 2, 9/07>

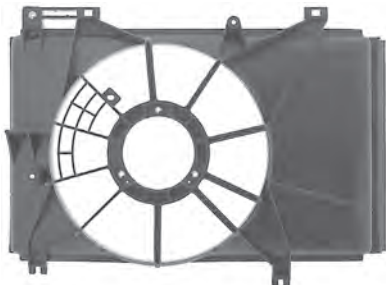
Radiator Fan



EF1284
Mazda 2, 9/07>

Radiator Fan Shroud

ZJ38-15-210



EM8310
Mazda 2, 9/07>

Radiator Fan Motor

ZJ38-15-150



EF1293
Mazda 2, 9/07>

Radiator Fan Blade

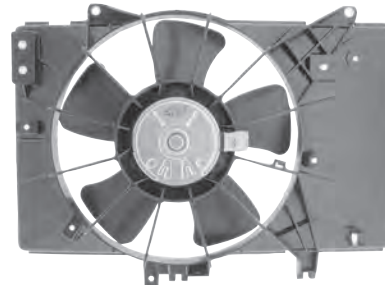
ZJ40-15-140A



EF1283
Mazda 2 series I & II, 12/02-8/07

Radiator Fan

ZJ01-15-025C



EF5385
Mazda 3, 2.0, 2.3Lt, 04>

Radiator Fan

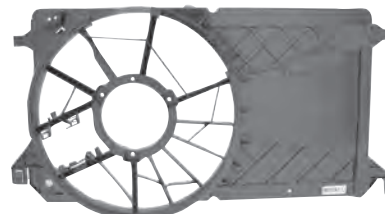
Includes Module
Z602-15-0225B



EF5388
Mazda 3, 2.0, 2.3Lt, 04>

Radiator Fan Shroud

Z60R-15-0225B



EF1148
Mazda 323 Astina BJ
1.6, 1.8, 2Lt, 9/98>
Mazda 323 Protégé BJ
1.6, 1.8, 2Lt, 98>

Radiator Fan

Auto Transmission



EF5379
Mazda 323 Astina BJ
1.6, 1.8Lt, 9/98>
Mazda 323 Protégé BJ
1.6, 1.8Lt, 98>

Condenser Fan



EF5381
Mazda 323 BJ, 9/98>

Radiator Fan

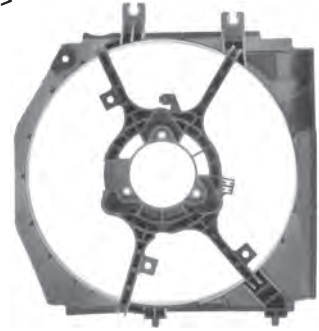
Manual Transmission
ZL04-15-025C



EF5373
Mazda 323 BJ, 1.8Lt, 9/98>

Condenser Fan Shroud

ZL04-15-210B



EF5372
Mazda 323 BJ, 1.8Lt, 9/98>

Radiator Fan Blade

ZL04-15-140



EF1149
Mazda 323 BA, 7/94-9/98
Mazda 323 Protégé BA
1.8Lt, 7/94-9/98

Condenser Fan



EF1151
Mazda 323 BA, 7/94-9/98
Mazda 323 Protégé BA
1.8Lt, 7/94-9/98

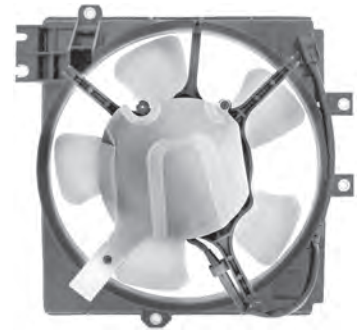
Radiator Fan



EF3371
Mazda 323 Astina BA, 7/94-9/98

Condenser Fan

BPD7-15-035



EF1089
Mazda 323, 1.6Lt, 90-95

Radiator Fan

Carburettor engines
Does not suit Astina.



EF1135
Mazda 323, 1.6Lt, 90-95

Condenser Fan



EM6010
Mazda 323 Astina, 1.8Lt Hatch, 92>

Radiator Fan Motor

2 Speed
RFD6-15-150



EF2125
Mazda 6, 12/07>

Dual Assembly

Auto Transmission
Includes Overflow
Bottle

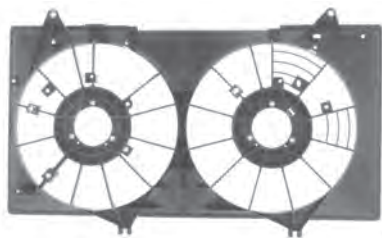




EF2126
Mazda 6, 12/07>

Radiator Fan Shroud

Auto Transmission



EM6090
Mazda 6, 12/07>

Radiator Fan Motor

Auto Transmission



EM6100
Mazda 6, 12/07>

Radiator Fan Motor

Auto Transmission



EF2127
Mazda 6, 12/07>

Radiator Fan Blade

Auto Transmission
L33D-15-140



EF2129
Mazda 6, 12/07>

Radiator Fan Blade

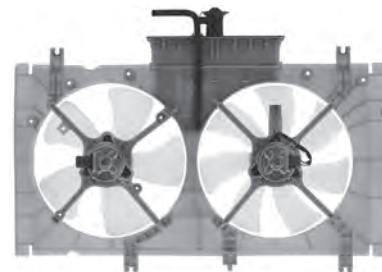
Auto Transmission
LF4J-15-140



EF2169
Mazda 6, 8/02>

Dual Assembly

Includes Overflow
Bottle
LF20-15-025



EF1281
Mazda 6, 2.3Lt, 02>

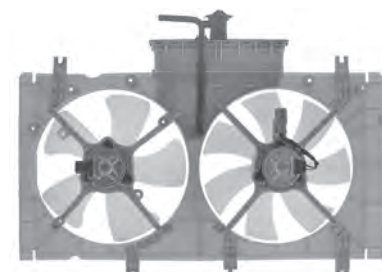
Dual Assembly



EF2120
Mazda 6, 9/04-5/05

Dual Assembly

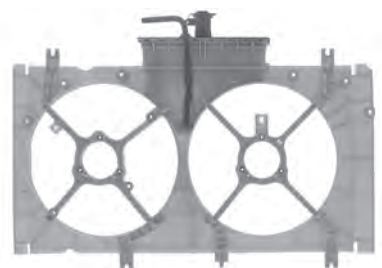
Includes Overflow
Bottle
Manual Transmission
LF19-15-025



EF2122
Mazda 6, 9/04-5/05

Radiator Fan Shroud

Includes Overflow Bottle
Manual Transmission
LF17-15-210



EM5070
Mazda 6, 9/04-5/05

Radiator Fan Motor

Manual Transmission



EM5560
Mazda 6, 9/04-5/05

Radiator Fan Motor

Manual Transmission



EF2121
Mazda 6, 9/04-5/05

Radiator Fan Blade

Manual Transmission



EF2123
Mazda 6, 9/04-5/05

Radiator Fan Blade

Manual Transmission



EF5035
Mazda 626 GF, 6/97>

Condenser Fan

Aftermarket A/C system



EFFA14
Mazda 626 V6

Condenser Fan

Cooltemp systems



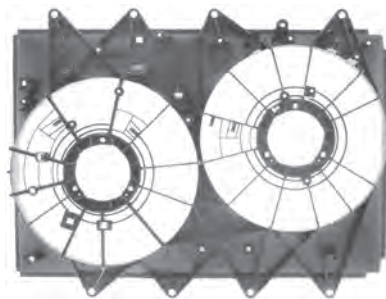
EF1097
Mazda 626, 83-86

Radiator Fan



EF1299
Mazda CX-9, 12/07>

Radiator Fan Shroud



EM5100
Mazda CX-9, 12/07>

Radiator Fan Motor

CY04-15-150A



EM5110
Mazda CX-9, 12/07>

Radiator Fan Motor

CY03-15-150A



EF7040
Mazda CX-9, 12/07>

Radiator Fan Blade

L33L-15-140



DIRECT REPLACEMENT FANS



EF7520
Mazda CX-9, 12/07>

Radiator Fan Blade

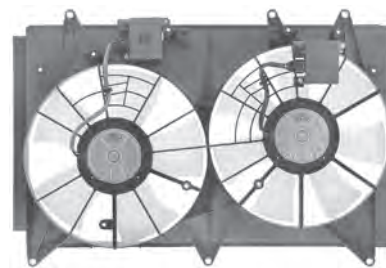
CY03-15-140A



EF1296
Mazda CX-7, 11/06>

Dual Assembly

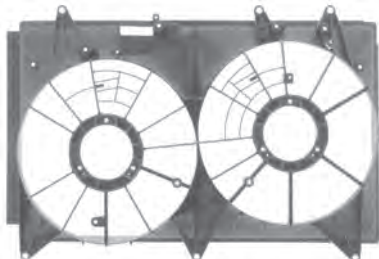
Includes Module



EF1295
Mazda CX-7, 11/06>

Radiator Fan Shroud

L33L-15-210A



EM5141
Mazda CX-7, 11/06>

Radiator Fan Motor

L37H-15-150A



EM5340
Mazda CX-7, 11/06>

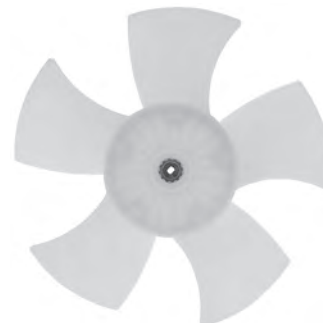
Radiator Fan Motor

L3BT-15-150



EF1294
Mazda CX-7, 11/06>

Radiator Fan Blade



EF1297
Mazda CX-7, 11/06>

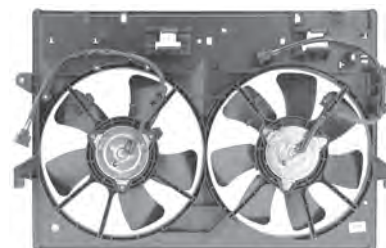
Radiator Fan Blade



EF5382
Mazda MPV, 3.0Lt, 00-03

Dual Assembly

AJ55-15-025C



EF5386
Mazda MPV, 96-98

Radiator Fan

LB83-61-710B



EF0460
Mazda MX5, NB30, 10/00-8/05

Condenser Fan

MAZEF0460



EF5384
Mazda Premacy 1.8, 2.0Lt, 00-03

Radiator Fan



EF5383
Mazda Premacy 1.8, 2.0Lt, 00-03

Condenser Fan



EF5374
Mazda Tribute, 2.0Lt, 4 cyl, 01>

Dual Assembly

YF091502J



EF5375
Mazda Tribute, 3.0Lt V6, 01>

Dual Assembly

MZAJ06-15-025



Mercedes Benz

EF1355
Mercedes A Class, A200, 04-09
Mercedes B Class, B180, B200,
05-09

Radiator Fan

Includes Module
1698203642



EF1336
Mercedes A Class, W168, 1.6Lt
7/97-8/04

Radiator Fan

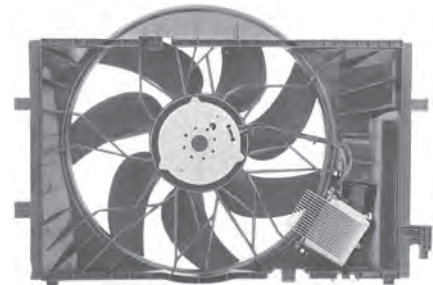
1685000193



EF1330
Mercedes C Class, W203, 00-03

Radiator Fan

Includes Module



EF1331
Mercedes C Class, W202, 93-00
Mercedes C Class, W124, 94-97

Radiator Fan



EF1354
Mercedes C Class, C180, C200
C230, 93-01

Radiator Fan Motor & Blade

0005401588





EF1337

Mercedes CLK Class, CLK320, 98-01
Mercedes SLK320, 98-01

Radiator Fan

0005401688



EF1332

Mercedes E Class, W124, W210, E430, 96-02
Mercedes E Class, W124, W210, E320, 97-99
Mercedes E Class W124, W120, E55, AMG, 00-02

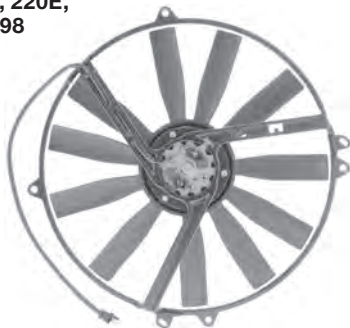
Dual Assembly



EF1352

Mercedes E Class, E220, 220E, 230E, 230TE, 300TE, 84-98

Radiator Fan



EF1354

Mercedes E Class, E200, E230, E240 E280, E320, E430, E55, 93-01

Radiator Fan Motor & Blade

0005401588



EF1353

Mercedes E Class, 300T, 6/93-9/96

Radiator Fan

0005007993

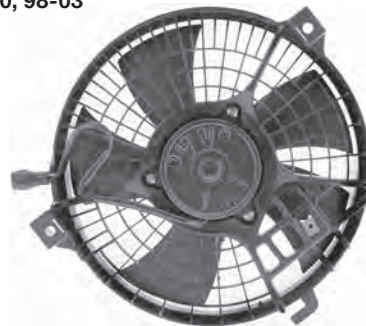


Picture unavailable at time of printing refer www.cooldrive.com.au

EF1341

Mercedes W638, MB100, 98-03

Radiator Fan



EF1334

Mercedes ML Class, W163 ML320 ML430, 00-04

Dual Assembly



EF1345

Mercedes S Class, W220, 6 & 8 cyl, 99-02

Radiator Fan



EF1344

Mercedes S Class, W140, 92-99

Condenser Fan



EF6540

Mercedes S Class, W124, W126, 85-91
Mercedes S Class C126, 81-91

Condenser Fan

0005005093
0005009293



EF1342
Mercedes Sprinter
Mercedes Vito

Radiator Fan



EF1351
Mercedes Sprinter, 4/01>

Radiator Fan Blade

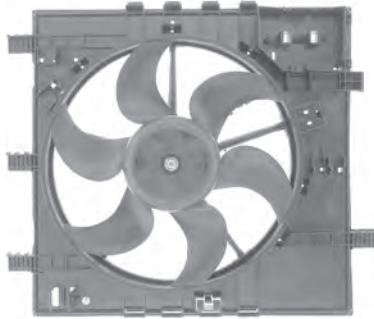
1032000423



EF1349
Mercedes Vito, 04>

Radiator Fan

A0005050955



EF1341
Mercedes Vito, W638, 98-03

Radiator Fan



EF1353
Mercedes W201 190, 9/86-8/93

Radiator Fan

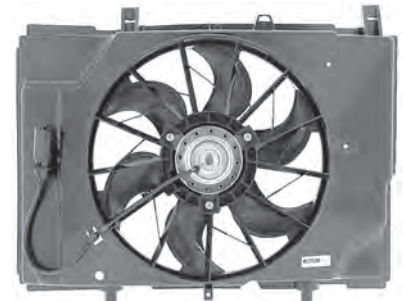
0005007993



Picture unavailable at time of printing
refer www.cooldrive.com.au

EF1162
Mercedes W170, W202, C230, SLK200
SLK230K, 96-04

Radiator Fan



EF1342
Mercedes W124, W126
260E, 300E, 86-89

Radiator Fan



EF1343
Mercedes W126 300E, 350E, 86-89

Radiator Fan



EF1353
Mercedes W124, 200E, 230E, 200D,
250D, 300E, 12/85>

Radiator Fan

0005007993



Picture unavailable at time of printing
refer www.cooldrive.com.au

EF1338
Mercedes W120, E320, 00-02

Radiator Fan



Mini/Mitsubishi

EF6509
Mini Cooper, R56 1.6Lt, 3/07>

Radiator Fan



Picture unavailable at time of printing
refer www.cooldrive.com.au

EF6510
Mini Cooper, 1.6Lt, 01-04

Radiator Fan

Includes Module
17101475577



EF1291
Mitsubishi 380, 10/05>

Radiator Fan

Includes Module



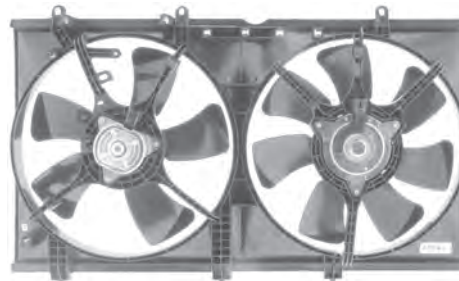
EF1170
Mitsubishi L400 WA Starwagon, 6/94>

Dual Assembly



EF1292
Mitsubishi Lancer CG-CH, 6/00-9/07

Dual Assembly



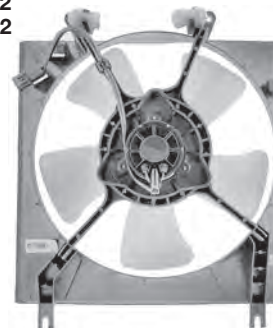
EF1171
Mitsubishi Lancer CE, 5/96-02
Mitsubishi Mirage CE, 5/96-02

Condenser Fan



EF1175
Mitsubishi Lancer CE, 5/96-02
Mitsubishi Mirage CE, 5/96-02

Radiator Fan



EF1174
Mitsubishi Lancer CC, 6/92-4/96

Radiator Fan



EF5149
Mitsubishi Lancer CC, 6/92-4/96

Condenser Fan



EM3870

Mitsubishi Magna TJ, TL, 8/00>

Radiator Fan Motor

MR552033



EM6321

Mitsubishi Magna TJ, 8/00>

Radiator Fan Motor

MR160893



EM6311

Mitsubishi Magna TJ, 8/00-6/03

Radiator Fan Motor

MR160894



EF1119

Mitsubishi Magna TE, TF, TH, TJ, 2/96>

Condenser Fan

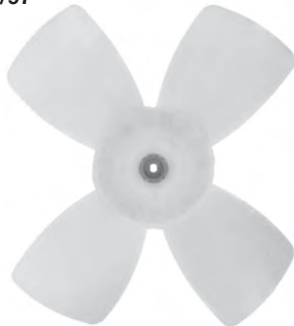


EF1288

Mitsubishi Magna TS, 3/94-3/97

Radiator Fan Blade

MB890937



EM7150

Mitsubishi Magna TR, TS, 4 cyl, 91-3/97
Mitsubishi Magna TS, V6, 3/94-3/97

Condenser Fan Motor



EM9000

Mitsubishi Magna TN, TP, 7/87-7/91

Condenser Fan Motor



EM4580

Mitsubishi Magna TM, TN, 7/85-7/91

Radiator Fan Motor

AW313615



EF2178

Mitsubishi Nimbus UG, 99>

Radiator Fan

Includes Module
MR373725



EF3703

Mitsubishi Pajero NM, NP
3.5Lt V6, Petrol
2.8, 3.2Lt Diesel, 5/00>

Condenser Fan

MR360801



EF2182

Mitsubishi Pajero, NJ, NK, NL
3.0, 3.5Lt V6, Petrol
2.8Lt Diesel, 11/93-6/00

Condenser Fan

MB657380



EM7121

Mitsubishi Pajero NJ, NK, NL, 11/93>

Condenser Fan Motor

MB878162



EF2162

Mitsubishi Triton MK, 3.0Lt V6, 01-03

Condenser Fan



Picture unavailable at time of printing
refer www.cooldrive.com.au

EF1119

Mitsubishi Verada KE, KF, KH, KJ, 2/96>

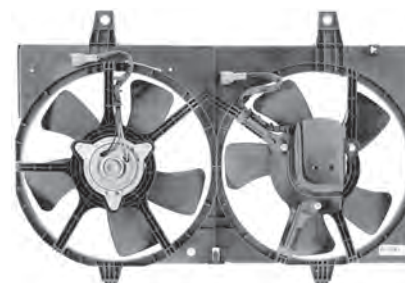
Condenser Fan



EF1153

Nissan Maxima A33, 00-01
Nissan Infiniti 30, 00-01

Dual Assembly



EF1152

Nissan Maxima A32, 11/94-12/99

Dual Assembly



EF1314

Nissan Micra, 93>

Radiator Fan

Manual Transmission



Picture unavailable at time of printing
refer www.cooldrive.com.au

EF1303

Nissan Micra, 93>

Condenser Fan

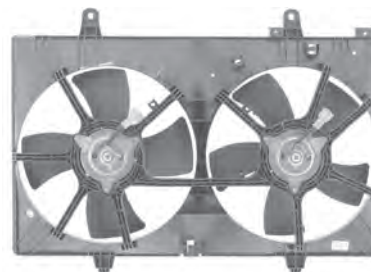


EF1302

Nissan Murano, Z50, 3.5Lt V6, 7/05>

Dual Assembly

21481-CA000



EF1306
Nissan Patrol

Radiator Fan Blade

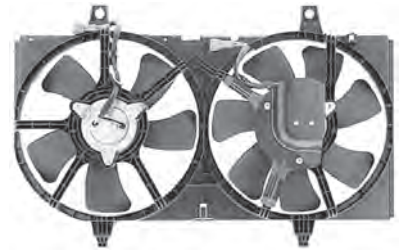
21060-36J01
21060-03J00



EF5151
Nissan Pulsar N16, 7/00>

Dual Assembly

Suits 4 dr Japan
manufactured
Does not suit 5 dr
UK manufactured



EF1127
Nissan Pulsar N14, N15, 1.6, 2.0Lt, >9/00

Condenser Fan

Auto Transmission
B70022M150



EF5005
Nissan Pulsar N14, 1.6, 2.0Lt, 5/00>

Radiator Fan

Manual Transmission
21481-J9000



EF1115
Nissan Pulsar N12, 4/86-6/87

Condenser Fan



EM0001
Nissan Terrano, 2.4Lt Petrol
2.7Lt Diesel, 98-99

Condenser Fan Motor

Cooltemp systems



EF1306
Nissan Terrano

Radiator Fan Blade

21060-36J01
21060-03J00



EF1307
Nissan Tiida C11, 10/06>

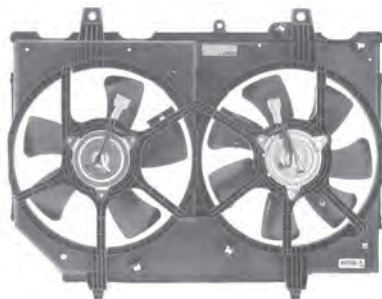
Radiator Fan



Picture unavailable at time of printing
refer www.cooldrive.com.au

EF1301
Nissan X-Trail, 9/01>

Dual Assembly



Peugeot/Porsche

EF1209
Peugeot 206, 98>

Radiator Fan



EF1166
Peugeot 306, 4/97-12/02

Dual Assembly



EF1167
Peugeot 306, 95-3/97

Dual Assembly



EF1212
Peugeot 307, 4/01>

Radiator Fan

9634009380



EF1211
Peugeot 406, 97-02

Dual Assembly

Includes Module



EF1428
Porsche 911, 3.4, 3.6Lt, 97-04
Porsche Boxster, 96-04

Radiator Fan Motor & Blade

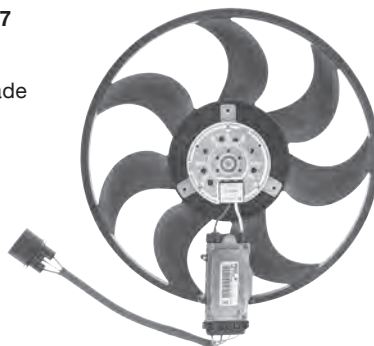
Includes Resistor
99662413500



EF1426
Porsche Cayenne, 02-07

Radiator Fan Motor & Blade

Includes Module
95562413601



EF1425
Porsche Cayenne, 02-07

Radiator Fan Motor & Blade

Includes Module
95562413400



EF1219
Porsche Cayenne, 8/03-8/10

Radiator Fan Motor & Blade

95562413500



Proton/Saab/Seat/
Ssangyong



EF5149
 Proton Persona, 1.5, 1.6Lt, 96>
 Proton Wira, 1.5, 1.6Lt, 96>

Condenser Fan



EF1452
 Saab 9-5, 6/97-1/09

Radiator Fan Motor & Blade

4576443



EF1454
 Saab 9-5, 6/97-1/09

Radiator Fan Motor & Blade

4576351



EF1208
 Seat Cordoba, 93-02
 Seat Ibiza, 98-99

Radiator Fan Motor & Blade

191959455AF



EF1313
 Seat Cordoba, 93-02
 Seat Ibiza, 91-99
 Seat Toledo, 91-99

Radiator Fan Motor & Blade

6K0959455



EF1218
 Seat Cordoba, 2/93-02
 Seat Ibiza II, 3/93-99

Radiator Fan Blade

165959455L / N



EF1420
 Seat Cordoba, 93-02
 Seat Ibiza, 93-97
 Seat Toledo, 91-99

Radiator Fan Motor & Blade

357959455L



EF1434
 Seat Cordoba, 93-02
 Seat Ibiza, 93-02

Radiator Fan Motor & Blade

1H0959455D / E



EF1217
 Seat Cordoba, 93-99
 Seat Ibiza, 93-99

Radiator Fan Motor & Blade

165959455AA / T



EF1342
 Ssangyong Musso

Radiator Fan



Subaru

EF1325
Subaru Forester, 03-05

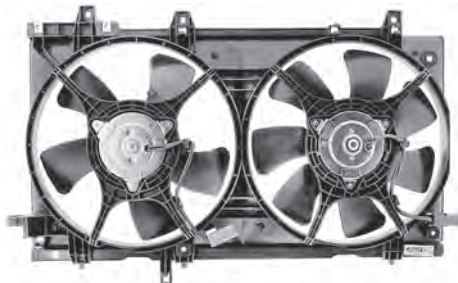
Dual Assembly

Non Turbo

**EF1326**
Subaru Forester, 03-05

Dual Assembly

Turbo

**EF1323**
Subaru Forester, 99-02

Condenser Fan

**EF1324**
Subaru Forester, 2.0Lt, 99-02

Radiator Fan

**EF1327**
Subaru Impreza, 2.0Lt, 02-03

Radiator Fan

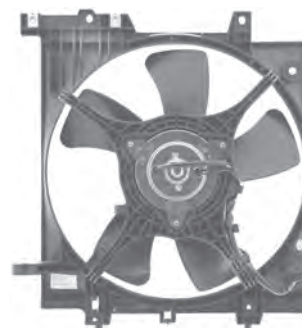
**EF1328**
Subaru Impreza, 2.0Lt, 02-03

Condenser Fan

**EF1322**
Subaru Impreza, 02>

Radiator Fan

45122FE000

**EF1319**
Subaru Impreza, 98>

Radiator Fan

2 pin connector

**EF1329**
Subaru Impreza, 98>

Condenser Fan

3 pin connector



EF1156
Subaru Impreza, 1.8Lt, >97

Radiator Fan

2 speed



EF1320
Subaru Legacy, 98-03
Subaru Liberty, 98-03

Condenser Fan

73313AE000



EF1321
Subaru Legacy, 98-03
Subaru Liberty, 98-03

Radiator Fan

45122AE000



EF1315
Subaru Liberty, 4 cyl, 02-04

Condenser Fan

73310AE004
73310AE00A



EF1316
Subaru Liberty, 4 cyl, 00-02

Radiator Fan



EF1317
Subaru Liberty, 2.2Lt, 94-98

Condenser Fan



EF1318
Subaru Liberty, 2.2Lt, 94-98

Radiator Fan



Suzuki

EF3353
Suzuki Baleno, 1.6Lt, 4/95-11/01

Radiator Fan

Denso systems



Picture unavailable at time of printing
refer www.cooldrive.com.au

EF1157
Suzuki Baleno, 95-98
Suzuki Jimny, 98>

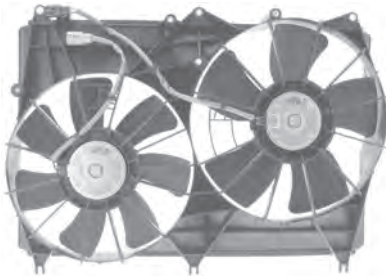
Condenser Fan

95560-81A00



EF2320
Suzuki Grand Vitara, 06>

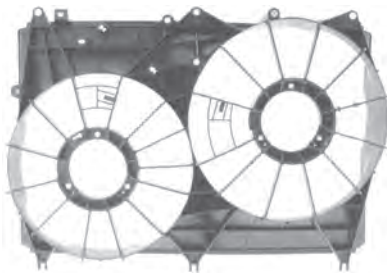
Dual Assembly



EF2321
Suzuki Grand Vitara, 06>

Radiator Fan Shroud

17760-65J00



EM9591
Suzuki Grand Vitara, 06>

Radiator Fan Motor


17120-66J00



EM9602
Suzuki Grand Vitara, 06>

Radiator Fan Motor


Auto Transmission
17120-66J10



EF2322
Suzuki Grand Vitara, 06>

Radiator Fan Blade


17111-66J00



EF2149
Suzuki Grand Vitara, 06>

Radiator Fan Blade


Auto Transmission
17111-66J10



EF2325
Suzuki Ignis

Radiator Fan

17100-80G00



EF3352
Suzuki Liana, 2.4Lt, 11/01-3/04

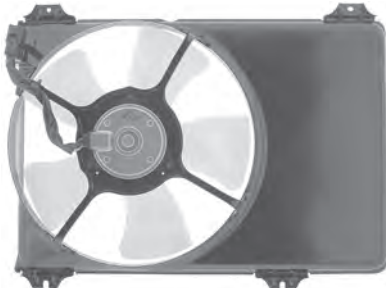
Condenser Fan



Picture unavailable at time of printing refer www.cooldrive.com.au

EF2326
Suzuki Swift EZ, Series I & II, 2/05>


Radiator Fan



EF2327
Suzuki Swift EZ, Series I & II, 2/05>

Radiator Fan Shroud

17760-63J00



EM8310
Suzuki Swift EZ, Series I & II, 2/05>

Radiator Fan Motor

17120-80J00



EF2183
Suzuki Vitara TD01, 5 Door P/S, 95>

Condenser Fan

5 Door only
Power Steering
95320-57B50



EM1810
Toyota 4 Runner LN130R, RN130R
VZN130R, 4/89-6/96

Condenser Fan Motor

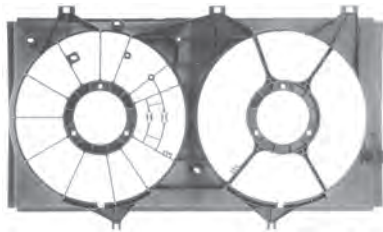
88550-89101-A



EF2141
Toyota Aurion GSV40R, 10/06>

Radiator Fan Shroud

16711-0P090



EM8240
Toyota Aurion GSV40R, 10/06>

Radiator Fan Motor

16363-0P090



EF2145
Toyota Aurion GSV40R, 10/06>

Radiator Fan Blade

16361-0P080



EF2184
Toyota Avalon MCX10, 7/00-3/06

Condenser Fan

16370-20010-D



EF1780
Toyota Avalon MCX10, 7/00-3/06

Condenser Fan Shroud

16711-0A020-B



EM0094
Toyota Avalon MCX10, 7/00-3/06

Condenser Fan Motor

166200-0094



EF2610

Toyota Avalon MCX10, 7/00-3/06

Condenser Fan Blade

16361-0A020-A

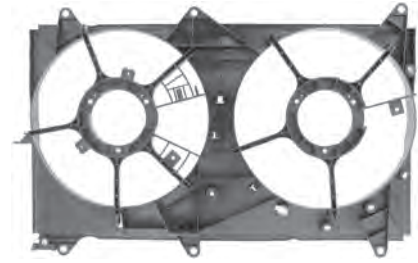


EF2304

Toyota Avensis Verso ACM20R, ACM21R
5/01>

Radiator Fan Shroud

16711-28230



EM2312

Toyota Avensis Verso ACM20R, ACM21R
12/01-11/10

Radiator Fan Motor

Driver side
16363-23030



EM7725

Toyota Avensis Verso ACM20R, ACM21R
12/01-11/10

Radiator Fan Motor

Passenger side
16363-28100



EF2312

Toyota Avensis Verso ACM20R, ACM21R
12/01-11/10

Radiator Fan Blade

Driver side
16361-28050



EF2303

Toyota Avensis Verso ACM20R, ACM21R
12/01-11/10

Radiator Fan Blade

Passenger side
16361-23050

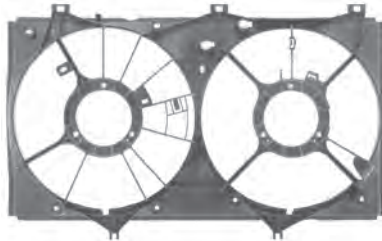


EF2355

Toyota Camry AHV40R, Hybrid, 2/10>

Radiator Fan Shroud

16711-28310



EM7680

Toyota Camry AHV40R, Hybrid, 2/10>

Radiator Fan Motor

16363-28270



EF2354

Toyota Camry AHV40R, Hybrid, 2/10>

Radiator Fan Blade

5 Blade
16361-28280



Picture unavailable at time of printing
refer www.cooldrive.com.au

EF2357

Toyota Camry AHV40R, Hybrid, 2/10>

Radiator Fan Blade

7 Blade
16361-28270



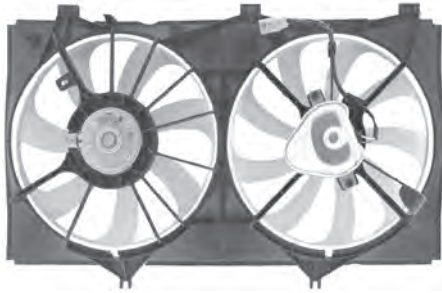
Picture unavailable at time of printing
refer www.cooldrive.com.au

EF2134

Toyota Camry ACV40R, 7/06-1/12

Dual Assembly

16360-0H151

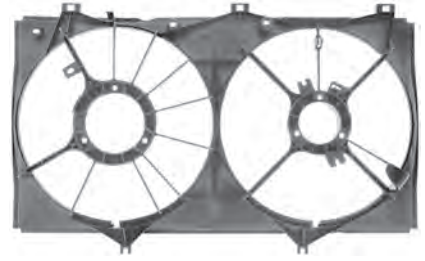


EF2138

Toyota Camry ACV40R, 7/06-1/12

Radiator Fan Shroud

16711-0H140



EM5960

Toyota Camry ACV40R, 7/06-1/12

Radiator Fan Motor

16363-0H090



EM9720

Toyota Camry ACV40R, 7/06-1/12

Radiator Fan Motor

16363-0H110M



EF2135

Toyota Camry ACV40R, 7/06-1/12

Radiator Fan Blade

9 blade
16361-0H270



EF2137

Toyota Camry ACV40R, 7/06-1/12

Radiator Fan Blade

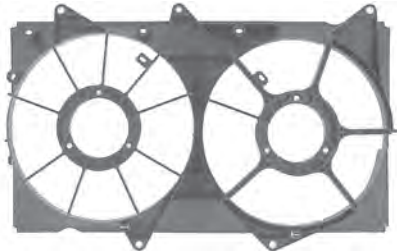
7 blade
16361-0H240



EF2199

Toyota Camry ACV36, 4 cyl, 9/02-6/06
Toyota Camry MCV36, V6, 9/02-6/06

Radiator Fan Shroud



EM2131

Toyota Camry ACV36, 4 cyl, 9/02-6/06
Toyota Camry MCV36, V6, 9/02-6/06

Radiator Fan Motor

Passenger side
168000-4100



EM2133

Toyota Camry ACV36, 4 cyl, 9/02-6/06
Toyota Camry MCV36, V6, 9/02-6/06

Radiator Fan Motor

Driver side
168000-4120



EF2133

Toyota Camry ACV36, 4 cyl, 9/02-6/06
Toyota Camry MCV36, V6, 9/02-6/06

Radiator Fan Blade

Driver side





EF2131

Toyota Camry ACV36, 4 cyl, 9/02-6/06
Toyota Camry MCV36, V6, 9/02-6/06

Radiator Fan Blade

Passenger side



EF2186

Toyota Camry MCV20R, V6, 8/97-8/02

Condenser Fan

16360-0A120



EF2187

Toyota Camry MCV20R, V6, 8/97-8/02

Condenser Fan

Auto Transmission
88590-YC020

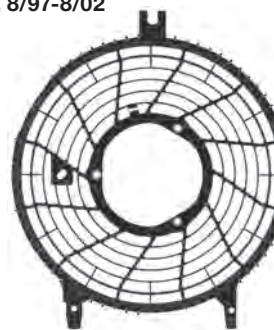


EF2160

Toyota Camry MCV20R, V6, 8/97-8/02

Condenser Fan Shroud

88454-33020



EM2521

Toyota Camry MCV20R, V6, 8/97-8/02

Condenser Fan Motor

88550-12160



EM0150

Toyota Camry MCV20R, V6, 8/97-8/02

Radiator Fan Motor

16363-0A040



EF2191

Toyota Camry SXV20R, 4 cyl, 8/97-8/02

Radiator Fan

16360-03110



EM5311

Toyota Camry SXV20R, 4 cyl, 8/97-8/02
Toyota Camry MCV20R, V6, 8/97-9/02

Radiator Fan Motor

16363-74370

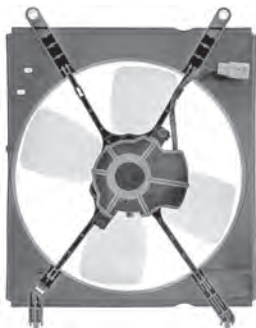


EF2188

Toyota Camry SXV20R, 4 cyl, 8/97-8/02

Condenser Fan

16370-74080



EM5250

Toyota Camry SXV20R, 4 cyl, 8/97-8/02
Toyota Camry MCV20R, V6, 8/97-9/02

Condenser Fan Motor



EF2179

Toyota Camry SXV20R, 4 cyl, 8/97-8/02

Condenser Fan Shroud

16711-03100



EF2185

Toyota Camry SDV10, 4 cyl, 11/92-7/97

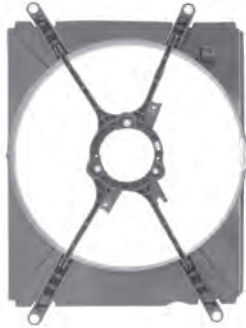
Condenser Fan



EF0480

Toyota Camry SDV10, 4 cyl, 11/92-7/97

Condenser Fan Shroud



EM0070

Toyota Camry SDV10, 4 cyl, 11/92-7/97

Condenser Fan Motor



EF1980

Toyota Camry SDV10, 4 cyl, 11/92-7/97

Condenser Fan Blade

88453-33010



EM0065

Toyota Camry SDV10, 4 cyl, 11/92-7/97

Radiator Fan Motor



EF2159

Toyota Camry SV22, 9/89-2/93

Radiator Fan Shroud

Manual Transmission
16711-03030



EF1104

Toyota Camry SV21, 5/87-2/93

Radiator Fan



EM7180

Toyota Camry SV21, SV22, 5/87-2/93

Radiator Fan Motor

16363-7400F

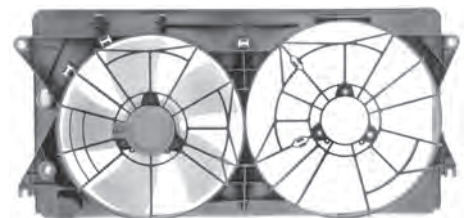


EF2198

Toyota Celica ZZT231R, 1.8Lt, 11/99-3/06

Dual Assembly

16360-22030-B





EF3770

Toyota Celica ZZT231R, 1.8Lt, 11/99-3/06

Radiator Fan Blade

16361-22060



EM7723

Toyota Celica ST204, 205, 2/94>

Radiator Fan Motor

16363-704020-H



EM0372

Toyota Coaster

Condenser Fan Motor

24V



EM0860

Toyota Coaster

Condenser Fan Motor

24V 160W



EF1890

Toyota Corolla ZRE152R, 5/07>

Radiator Fan

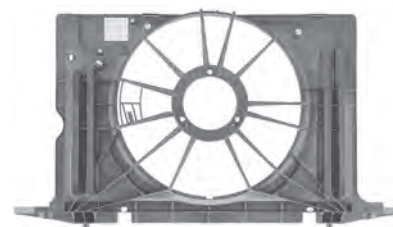
Includes Module



EF1891

Toyota Corolla ZRE152R, 5/07>

Radiator Fan Shroud



EF1893

Toyota Corolla ZRE152R, 5/07>

Radiator cover

16712-22040



EM1890

Toyota Corolla ZRE152R, 5/07>

Radiator Fan Motor

16363-22120-A



EF1892

Toyota Corolla ZRE152R, 5/07>

Radiator Fan Blade

16361-22100-A

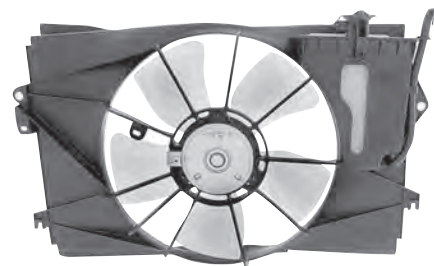


EF2872

Toyota Corolla ZZE122R, 12/01>

Radiator Fan

Includes OverFlow Bottle
16360-21160

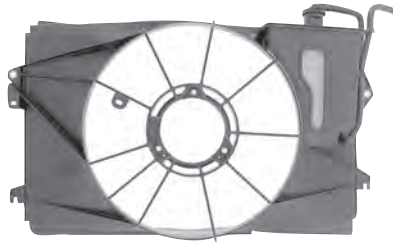


EF2181

Toyota Corolla ZZE122R, 12/01>

Radiator Fan Shroud

Includes OverFlow
Bottle
16711-21080-A



EM3540

Toyota Corolla ZZE122R, 12/01>

Radiator Fan Motor

16363-0D040-A

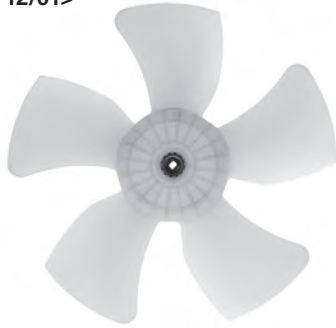


EF2180

Toyota Corolla ZZE122R, 12/01>

Radiator Fan Blade

16361-21060



EF2194

Toyota Corolla AE112, 8/98-9/01

Radiator Fan



EF1520

Toyota Corolla AE112, 8/98-9/01

Radiator Fan Shroud

16711-15281-B



EM7723

Toyota Corolla AE112, 8/98>

Radiator Fan Motor

16363-704020-H



EF0420

Toyota Corolla AE112, 8/98-9/01

Radiator Fan Blade

16361-63020-A



EF5102

Toyota Corolla AE111, AE112, 8/98-9/01

Condenser Fan

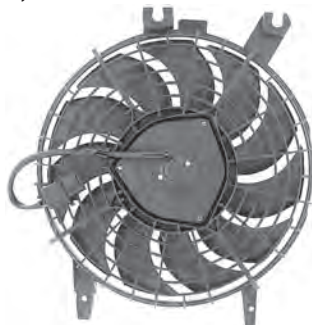
88590-12250-A



EF1187

Toyota Corolla AE101, AE102, 2/94-8/99

Condenser Fan



EF1103

Toyota Corolla AE90, AE92, AE93, 2/89-7/94

Radiator Fan





EF1116

Toyota Corolla AE90, AE92, AE93, AE94
AE95, AE96, 2/89-8/95

Condenser Fan



EF1137

Toyota Corolla, 89-92

Condenser Fan

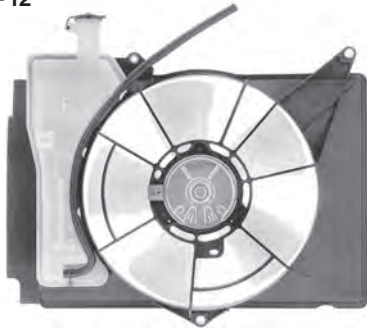


EF2177

Toyota Echo NCP10, NCP12
1.3, 1.5Lt, 10/99>

Radiator Fan

Includes OverFlow Bottle
16360-21030-J



EM2303

Toyota Echo NCP10R, NCP12R
NCP13R, 3/99>

Radiator Fan Motor

16363-28170



EM2312

Toyota Echo NCP10R, NCP12R
NCP13R, 3/99>

Radiator Fan Motor

16363-23030



EF2197

Toyota Hiace LH103, LH113, RZH103,
RZH113 8/93-7/98

Condenser Fan

88590-26100



EM2196

Toyota Hiace LH103, LH113, RZH103,
RZH113, RZH125, 8/93-7/98

Condenser Fan Motor



EF2140

Toyota Hiace, KDH200R, KDH201R
KDH220R, KDH221R, KDH222R,
KDH223R, 3/05>

Auxiliary Radiator Fan

16730-30010

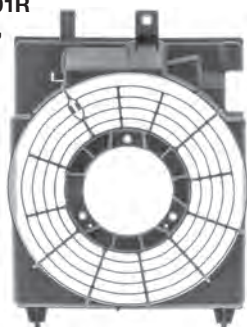


EF2142

Toyota Hiace, KDH200R, KDH201R
KDH220R, KDH221R, KDH222R,
KDH223R, 3/05>

Auxiliary Radiator Fan Shroud

16711-30050-A



EM7780

Toyota Hiace, KDH200R, KDH201R
KDH220R, KDH221R, KDH222R,
KDH223R, 3/05>

Auxiliary Radiator Fan Motor

16363-30010



EF2143

Toyota Hiace, KDH200R, KDH201R
KDH220R, KDH221R, KDH222R,
KDH223R, 3/05>

Auxiliary Radiator Blade

88453-37030



Picture unavailable at time of printing
refer www.cooldrive.com.au

EF2175

Toyota Hiace, KDH200R, KDH201R, KDH220R
KDH221R, KDH222R, KDH223R,
TRH201R, TRH221R, TRH2213R, 3/05>

Radiator Fan Shroud

16712-75121



EM4780

Toyota Hiace, KDH200R, KDH201R, KDH220R
KDH221R, KDH222R, KDH223R,
TRH201R, TRH221R, TRH2213R, 3/05>

Radiator Fan Motor

16363-20390



EM4810

Toyota Hiace, KDH200R, KDH201R, KDH220R
KDH221R, KDH222R, KDH223R,
TRH201R, TRH221R, TRH2213R, 3/05>

Radiator Fan Motor

16363-75030



EF2340

Toyota Kluger GSU40R, GSU45R, 8/07>

Dual Assembly

Includes Overflow Bottle

16360-31200



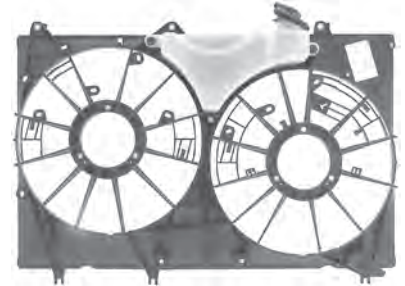
Picture unavailable at time of printing
refer www.cooldrive.com.au

EF2341

Toyota Kluger GSU40R, GSU45R, 8/07>

Radiator Fan Shroud

Includes Overflow
Bottle
16711-31370



EM9220

Toyota Kluger GSU40R, GSU45R, 8/07>

Radiator Fan Motor

16363-46170



EM9221

Toyota Kluger GSU40R, GSU45R, 8/07>

Radiator Fan Motor

16363-31210



EF2342

Toyota Kluger GSU40R, GSU45R, 8/07>

Radiator Fan Blade

16361-31270



EF2343

Toyota Kluger GSU40R, GSU45R, 8/07>

Radiator Fan Blade

16361-31280



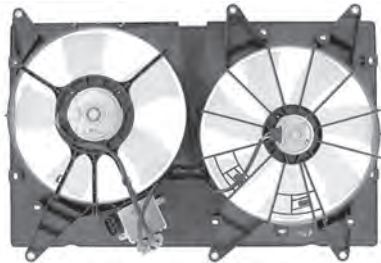


EF2196

Toyota Kluger MCU28, 11/03-7/07

Dual Assembly

Includes Module
16360-20100-B

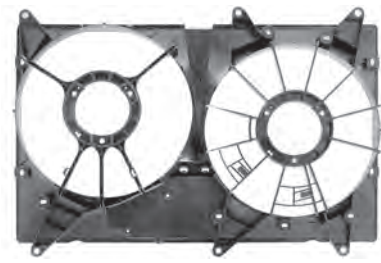


EF2302

Toyota Kluger MCU28, 11/03-7/07

Radiator Fan Shroud

16711-20120-A



EM7724

Toyota Kluger MCU28, 11/03-7/07

Radiator Fan Motor

16363-20310



EF2300

Toyota Kluger MCU28, 11/03-7/07

Radiator Fan Blade

16361-20210



EF2301

Toyota Kluger MCU28, 11/03-7/07

Radiator Fan Blade

16361-20200-A



EF5490

Toyota Landcruiser 200 Series, VDJ200R
UZJ200R, 11/07>

Condenser Fan

88590-60080



Picture unavailable at time of printing
refer www.cooldrive.com.au

EF5492

Toyota Landcruiser 200 Series, VDJ200R
UZJ200R, 11/07>

Condenser Fan Shroud

88454-60050



Picture unavailable at time of printing
refer www.cooldrive.com.au

EM3360

Toyota Landcruiser 200 Series, VDJ200R
UZJ200R, 11/07>

Radiator Fan Motor

88550-60110



EF5499

Toyota Landcruiser 200 Series, VDJ200R
UZJ200R, 11/07>

Condenser Fan Blade

7 blade
88453-60020



Picture unavailable at time of printing
refer www.cooldrive.com.au

EF2190

Toyota Landcruiser 100 Series, FZJ105
UZJ100, V8, 1/98-10/03

Condenser Fan

Auto Transmission
88590-60030-B



EM2130

Toyota Landcruiser 100 Series, FZJ105
UZJ100, V8, 1/98-10/03

Condenser Fan Motor

16363-64080-D



EF1114

Toyota Lexcen VR, VS, 6/93-5/97

Condenser Fan



EM5330

Toyota MR2 ZZW30, 8/00>

Condenser Fan Motor

16363-22060



EM7723

Toyota MR2 SW20, 12/91-8/00

Radiator Fan Motor

16363-704020-H



EM2420

Toyota Paseo, 96>

Condenser Fan Motor



EF2480

Toyota Paseo EL54, 8/95-7/99

Condenser Fan

88590-16070-D



EF1290

Toyota Paseo EL54, 8/95-7/99

Condenser Fan Shroud

88454-16140-A



EM2440

Toyota Paseo EL54, 8/95-7/99

Condenser Fan Motor

16363-74180



EF2130

Toyota Paseo EL54, 8/95-7/99

Condenser Fan Blade

88453-20040

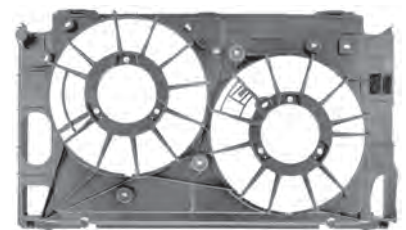


EF2351

Toyota Prius ZVW30, 4/09>

Radiator Fan Shroud

16711-37060



EM8980

Toyota Prius ZVW30, 4/09>

Radiator Fan Motor

16363-37010

Picture unavailable at time of printing
refer www.cooldrive.com.au**EM8990**

Toyota Prius ZVW30, 4/09>

Radiator Fan Motor

16363-37020

Picture unavailable at time of printing
refer www.cooldrive.com.au**EF2352**

Toyota Prius ZVW30, 4/09>

Radiator Fan Blade

7 Blade
16361-37010Picture unavailable at time of printing
refer www.cooldrive.com.au**EF2353**

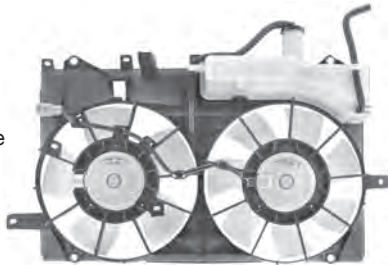
Toyota Prius ZVW30, 4/09>

Radiator Fan Blade

9 Blade
16361-28360Picture unavailable at time of printing
refer www.cooldrive.com.au**EF2484**

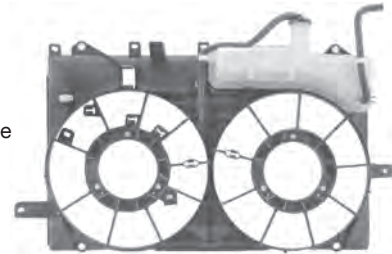
Toyota Prius NHW20R, 11/03-6/09

Dual Assembly

Includes Overflow Bottle
16360-21131**EF2485**

Toyota Prius NHW20R, 11/03-6/09

Radiator Fan Shroud

Includes Overflow Bottle
16711-21100**EM7250**

Toyota Prius NHW20R, 11/03-6/09

Radiator Fan Motor

16363-21030

**EM7420**

Toyota Prius NHW20R, 11/03-6/09

Radiator Fan Motor

16363-21040

**EF2571**

Toyota Prius NHW20R, 11/03-6/09

Radiator Fan Blade

7 Blade
16361-28080Picture unavailable at time of printing
refer www.cooldrive.com.au**EF2572**

Toyota Prius NHW20R, 11/03-6/09

Radiator Fan Blade

5 Blade
16361-21040

EM2303
Toyota Rav4 ACA38R, 3/10>

Radiator Fan Motor

Passenger side
16363-28170



EM2312
Toyota Rav4 ACA38R, 3/10>

Radiator Fan Motor

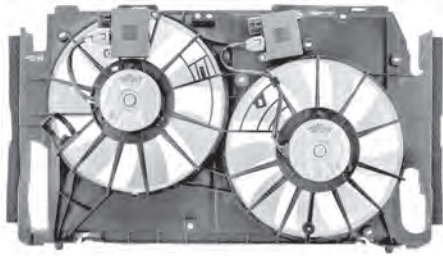
Driver side
16363-23030
168000-3550



EF2338
Toyota Rav4 GSA33R, 3.5Lt V6, 10/07>

Dual Assembly

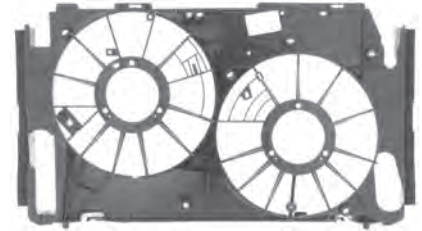
Includes Module



EF2335
Toyota Rav4 GSA33R, 3.5Lt V6, 10/07>

Radiator Fan Shroud

16711-31270



EF2336
Toyota Rav4 GSA33R, 3.5Lt V6, 10/07>

Radiator Cover

16712-31071



EF2338J
Toyota Rav4 GSA33R, 3.5Lt V6, 10/07>

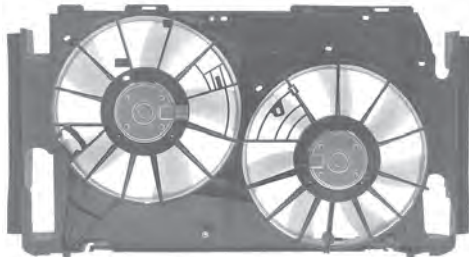
Dual Assembly



Picture unavailable at time of printing
refer www.cooldrive.com.au

EF2305
Toyota Rav4 ACA33R, 11/05>

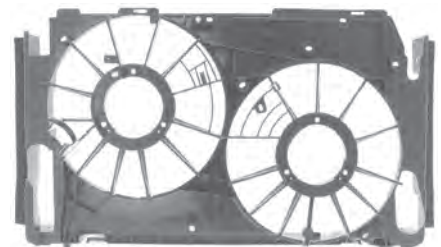
Dual Assembly



EF2309
Toyota Rav4 ACA33R, 11/05>

Radiator Fan Shroud

16711-28320



EF2319
Toyota Rav4 ACA33R, 11/05>

Radiator Cover

16712-28050



EM9170
Toyota Rav4 ACA33R, 11/05>

Radiator Fan Motor

16363-28170-A





EF2313

Toyota Rav4 ACA33R, 11/05>

Radiator Fan Blade

16361-28220



EF2314

Toyota Rav4 ACA33R, 11/05>

Radiator Fan Blade

16361-28240



EF2193

Toyota Rav4 ACA20, ACA21, 5/00>

Radiator Fan

16360-28111-A



EF2337

Toyota Rav4 ACA20, ACA21, 5/00>

Radiator Fan Blade



Picture unavailable at time of printing refer www.cooldrive.com.au

EF2192

Toyota Rav4 ACA20, ACA21, 5/00>

Condenser Fan

16370-28020-C



EF2308

Toyota Rav4 ACA20, ACA21, 5/00>

Condenser Fan Shroud

16711-28180-B



EM7320

Toyota Rav4 ACA20, ACA21, 5/00>

Radiator Fan Motor

16363-28050



EF2334

Toyota Rav4 ACA20, ACA21, 5/00>

Radiator Fan Blade



Picture unavailable at time of printing refer www.cooldrive.com.au

EF2195

Toyota Rav4 SXA10R, SXA11R, 7/94-9/00

Radiator Fan

16360-74530-B



EF1760

Toyota Rav4 SXA10R, SXA11R, 7/94-9/00

Radiator Fan Shroud

16711-74540-A



EM0620

Toyota Rav4 SXA10R, SXA11R, 7/94-9/00

Radiator Fan Motor

Manual Transmission



EM9660

Toyota Rav4 SXA10R, SXA11R, 7/94-9/00

Radiator Fan Motor

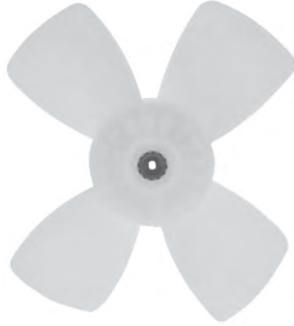
Auto Transmission
16363-28290



EF0730

Toyota Rav4 SXA10R, SXA11R, 7/94-9/00

Radiator Fan Blade



EF2189

Toyota Rav4 SXA10R, SXA11R, 7/94-9/00

Condenser Fan

Manual Transmission
88590-42021-A



EF2307

Toyota Rav4 SXA10R, SXA11R, 7/94-9/00

Condenser Fan Shroud

Manual Transmission
88454-42021-A



EF2360

Toyota Rav4 SXA10R, SXA11R, 7/94-9/00

Condenser Fan

Auto Transmission
88590-42020-C



EF2306

Toyota Rav4 SXA10R, SXA11R, 7/94-9/00

Condenser Fan Shroud

Auto Transmission
88454-42020-B



EM7200

Toyota Rav4 SXA10R, SXA11R, 7/94-9/00

Condenser Fan Motor

16363-74190-B



EF2590

Toyota Rav4 SXA10R, SXA11R, 7/94-9/00

Condenser Fan Blade

88453-42010

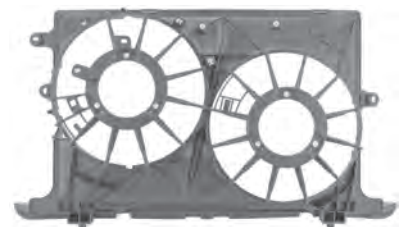


EF2395

Toyota Rukus AZE15R, 5/10>

Radiator Fan Shroud

16711-28400



EM8560

Toyota Rukus AZE15R, 5/10>

Radiator Fan Motor

16363-28400

Picture unavailable at time of printing
refer www.cooldrive.com.au**EF2392**

Toyota Rukus AZE15R, 5/10>

Radiator Fan Blade

7 Blade
16361-28350Picture unavailable at time of printing
refer www.cooldrive.com.au**EF2393**

Toyota Rukus AZE15R, 5/10>

Radiator Fan Blade

9 Blade
16361-28360Picture unavailable at time of printing
refer www.cooldrive.com.au**EF2871**

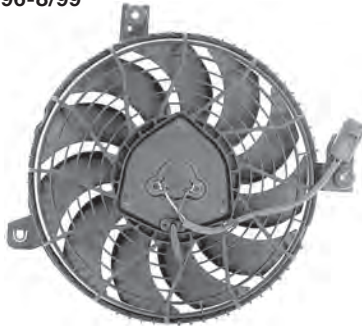
Toyota Starlet EP91, 11/96-8/99

Radiator Fan

Manual Transmission
16360-11150-K**EF2870**

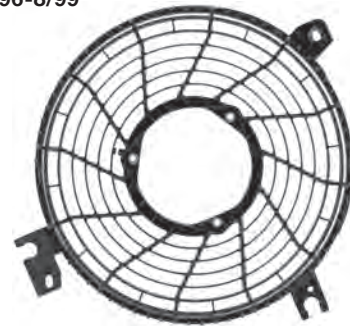
Toyota Starlet EP91, 11/96-8/99

Condenser Fan

Manual Transmission
88590-10040-B**EF1560**

Toyota Starlet EP91, 11/96-8/99

Condenser Fan Shroud

Manual Transmission
88454-10100-A**EM2330**

Toyota Starlet EP91, 11/96-8/99

Condenser Fan Motor

Manual Transmission
88550-12140**EF2580**

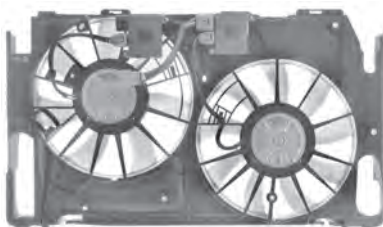
Toyota Starlet EP91, 11/96-8/99

Condenser Fan Blade

Manual Transmission
88453-10020**EF2330**

Toyota Tarago GSR50R, V6, 2/07>

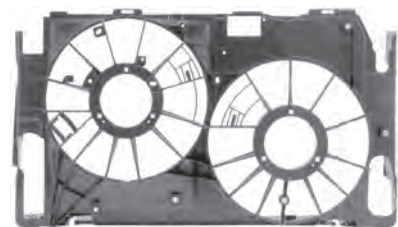
Dual Assembly

Includes Module
16360-31220**EF2331**

Toyota Tarago GSR50R, V6, 2/07>

Radiator Fan Shroud

16711-31300



EM2319

Toyota Tarago GSR50R, V6, 2/07>

Radiator Fan Motor

16363-31130



EM2320

Toyota Tarago GSR50R, V6, 2/07>

Radiator Fan Motor

16363-31180



EF2332

Toyota Tarago GSR50R, V6, 2/07>

Radiator Fan Blade

7 Blade
16361-31170



EF2333

Toyota Tarago GSR50R, V6, 2/07>

Radiator Fan Blade

16361-31160



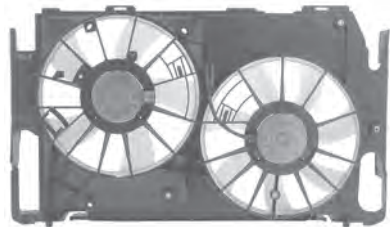
Picture unavailable at time of printing
refer www.cooldrive.com.au

EF2315

Toyota Tarago ACR50R, 3/06>

Dual Assembly

16360-28340

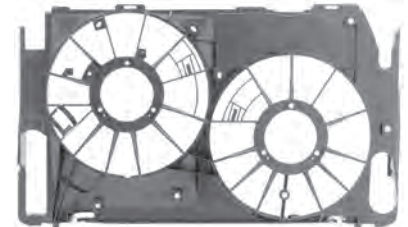


EF2316

Toyota Tarago ACR50R, 3/06>

Radiator Fan Shroud

16711-28340



EF2324

Toyota Tarago ACR50R, 3/06>

Radiator Fan Shroud

Tow pack upgrade
16711-28350



Picture unavailable at time of printing
refer www.cooldrive.com.au

EM2303

Toyota Tarago ACR50R, 3/06>

Radiator Fan Motor

Passenger side
16363-28170



EM2312

Toyota Tarago ACR50R, 3/06>

Radiator Fan Motor

Driver side
16363-23030



EM2317

Toyota Tarago ACR50R, 3/06>

Radiator Fan Motor

Tow Pack Upgrade
Passenger Side
16363-28300





EM2318

Toyota Tarago ACR50R, 3/06>

Radiator Fan Motor

Tow Pack Upgrade
Driver side



EF2317

Toyota Tarago ACR50R, 3/06>

Radiator Fan Blade

Passenger Side
16361-28230



EF2318

Toyota Tarago ACR50R, 3/06>

Radiator Fan Blade

Driver Side
16361-28250



EF2231

Toyota Tarago ACR50R, 3/06>

Radiator Cover

16712-31060

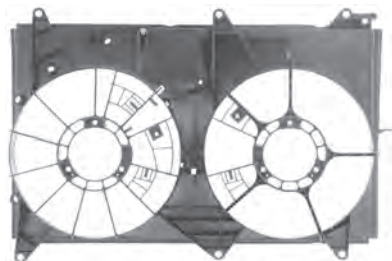


EF2311

Toyota Tarago ACR30R, 6/00-2/06

Radiator Fan Shroud

16711-28110



EM2312

Toyota Tarago ACR30R, 6/00-2/06

Radiator Fan Motor

Driver side
16363-23030



EM2303

Toyota Tarago ACR30R, 6/00-2/06

Radiator Fan Motor

Passenger side
16363-28170



EF2303

Toyota Tarago ACR30R, 6/00-2/06

Radiator Fan Blade

16361-23050



EF2312

Toyota Tarago ACR30R, 6/00-2/06

Radiator Fan Blade

Driver side
16361-28050



EM2521

Toyota Townace KR42R, 2/97-2/05

Radiator Fan Motor

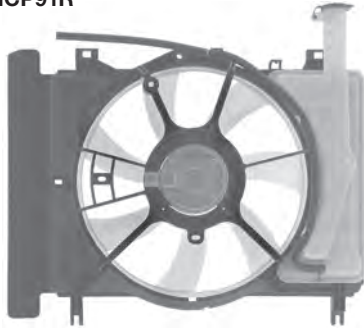


EF2545

Toyota Yaris NCP90R, NCP91R
NCP93R, 11/05>

Radiator Fan

Includes Overflow Bottle



EM9130

Toyota Yaris NCP90R, NCP91R
NCP93R, 11/05>

Radiator Fan Motor

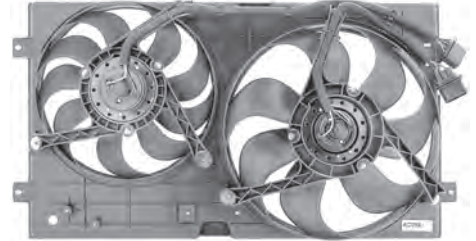


Volkswagen

EF1176

Volkswagen Beetle, 00>

Dual Assembly



EM1176

Volkswagen Beetle, 00>

Radiator Fan Motor & Blade

Passenger side, small



EM1177

Volkswagen Beetle, 00>

Radiator Fan Motor & Blade

Driver side, Large



EF1216

Volkswagen Beetle, 10/99-6/04
Volkswagen Bora, 10/98-5/05

Radiator Fan Motor & Blade

345mm diameter
6X0959455A / F



EF1237

Volkswagen Bora, 12/99-7/01

Dual Assembly



Picture unavailable at time of printing
refer www.cooldrive.com.au

EF1238

Volkswagen Bora, 12/99-7/01

Radiator Fan



Picture unavailable at time of printing
refer www.cooldrive.com.au

EF1434

Volkswagen Caddy II, 11/95-5/97

Radiator Fan Motor & Blade

1H0959455D / E

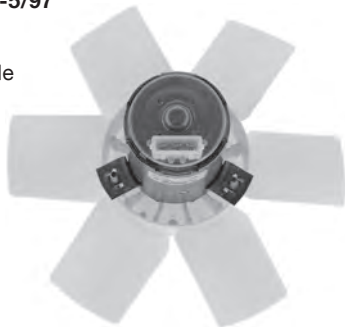


EF1217

Volkswagen Caddy, 8/82-5/97

Radiator Fan Motor & Blade

165959455AA / T

**EF1424**

Volkswagen Caravelle T5, 03-09

Radiator Fan Motor & Blade

7H0959455D

**EF1422**

Volkswagen Caravelle T5, 03-09

Radiator Fan Motor & Blade

7H0959455A

**EF1431**

Volkswagen Caravelle T4, 90-03

Radiator Fan Motor & Blade

701959455K

**EF1423**

Volkswagen Golf IV Cabriolet, 6/98-6/02

Radiator Fan Motor & Blade

1H0959455A

**EF1216**

Volkswagen Golf IV, 8/97-6/05

Radiator Fan Motor & Blade

345mm diameter
6X0959455A / F**EF1423**

Volkswagen Golf III, 91-98

Radiator Fan Motor & Blade

1H0959455A

**EF1434**

Volkswagen Golf II, III & IV, 90-91

Radiator Fan Motor & Blade

1H0959455D / E

**EF1208**

Volkswagen Golf II, 90-92

Radiator Fan Motor & Blade

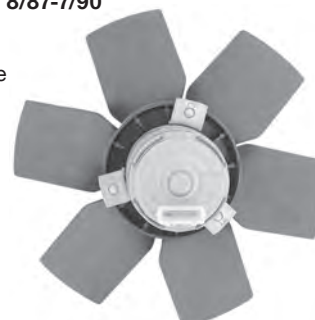
1H0959455B / D / E

**EF1430**

Volkswagen Golf II, 1.8Lt, 8/87-7/90

Radiator Fan Motor & Blade

191959455T



EF1217
Volkswagen Golf II, 90-92

Radiator Fan Motor & Blade

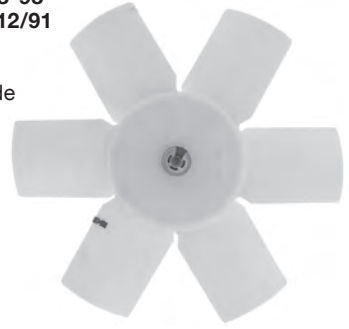
165959455AA / T



EF1218
Volkswagen Golf I & II, 83-93
Volkswagen Jetta, 1/84-12/91

Radiator Fan Motor & Blade

165959455L / N



EF1434
Volkswagen Jetta II, 1/84-12/91

Radiator Fan Motor & Blade

1H0959455D / E



EF1430
Volkswagen Jetta, 8/84-7/90

Radiator Fan Motor & Blade

191959455T



EF1424
Volkswagen Multivan T5, 03-09

Radiator Fan Motor & Blade

7H0959455D



EF1422
Volkswagen Multivan T5, 03-09

Radiator Fan Motor & Blade

7H0959455A



EF1219
Volkswagen Multivan, 4/03-11/09

Radiator Fan Motor & Blade

7L0959455B / E



EF1423
Volkswagen Passat, 91-97

Radiator Fan Motor & Blade

1H0959455A



EF1420
Volkswagen Passat, 91-97

Radiator Fan Motor & Blade

357959455L



EF1434
Volkswagen Passat, 91-97

Radiator Fan Motor & Blade

1H0959455D / E



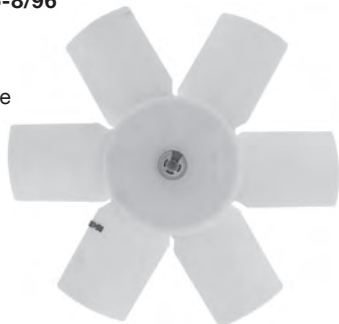


EF1218

Volkswagen Passat, 1/86-8/96
Volkswagen Polo, 83-93

Radiator Fan Motor & Blade

165959455L / N

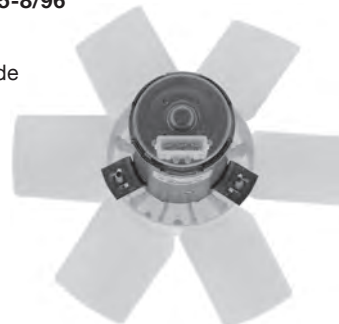


EF1217

Volkswagen Passat, 8/85-8/96

Radiator Fan Motor & Blade

165959455AA / T



EF1227

Volkswagen Polo III, 12/03-5/08

Radiator Fan Motor & Blade

392mm diameter
6Q0959455AD



Picture unavailable at time of printing
refer www.cooldrive.com.au

EF1216

Volkswagen Polo III, 7/95-9/01

Radiator Fan Motor & Blade

345mm diameter
6X0959455A / F



EF1219

Volkswagen Touareg, 9/03-5/10

Radiator Fan Motor & Blade

7L0959455B / E



EF1425

Volkswagen Touareg, 02-09

Radiator Fan Motor & Blade

Includes Module
7L0959455F

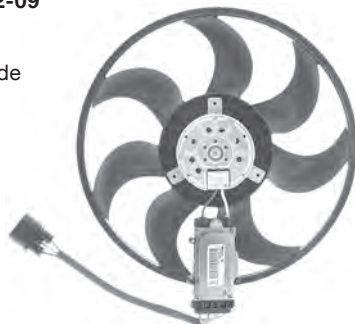


EF1426

Volkswagen Touareg, 02-09

Radiator Fan Motor & Blade

Includes Module
7L0959455G



EF1219

Volkswagen Transporter T5, 4/03-11/09

Radiator Fan Motor & Blade

7L0959455B / E



EF1422

Volkswagen Transporter T5, 03>

Radiator Fan Motor & Blade

7H0959455A



EF1424

Volkswagen Transporter T5, 03>

Radiator Fan Motor & Blade

7H0959455D

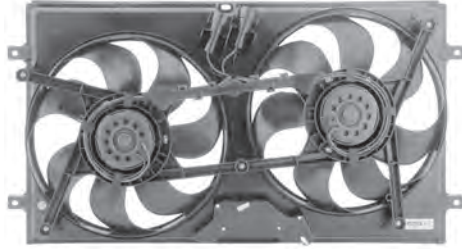


EF1214

Volkswagen Transporter T4, 98>

Dual Assembly

701959455J

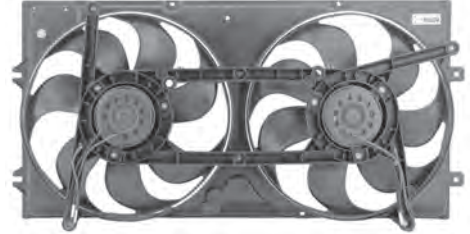


EF1215

Volkswagen Transporter T4, 90-97

Dual Assembly

701959455AM



EF1431

Volkswagen Transporter T4, 90>

Radiator Fan Motor & Blade

701959455K



EF1423

Volkswagen Vento, 95-97

Radiator Fan Motor & Blade

1H0959455A



EF1434

Volkswagen Vento, 95-97

Radiator Fan Motor & Blade

1H0959455D / E



Fan Clutches

Contact CoolDrive Sales team for more detail on our extensive range of quality fan clutches



Fan Clutch Features –

- Heavy duty, precision machined shafts
- Heat inhibiting silicone fluid
- Quality Bearings
- Heavy duty drive plates
- Die cast aluminium bodies providing maximum strength and weight advantage

Silicone Oil Lubricant

OG6000

Silicone oil lubricant used for the repair in viscous fan clutches, OG6000 can be used in all vehicle applications including commercial, passenger motor vehicle, earth moving and stationary engines.

- Manufacturers guidelines should always be followed when replacing viscous fan hub oil.



Fan clutch performance should always be considered when vehicles are experiencing any overheating symptoms while driving in traffic, low speed environments, or while towing or carrying heavy loads. It is possible the fan clutch has degenerated gradually over time or its silicone based fluid has lost viscosity or leaked. The result is the fan clutch loses the ability to “drive” the fan blades at the required speed to move sufficient air across the cooling components (condenser, radiator, oil coolers).

Key indicators of wear are leaking fluid streaks or excessive blade movement, indicating worn clutch hub bearings.

Fan clutch hubs should always be considered for replacement in conjunction with water pump failures.

Water Pumps

Contact CoolDrive Sales team for more detail on our extensive range of replacement water pumps from our Engine Cooling Division



DIRECT REPLACEMENT FAN CLUTCHES

TFC114

Ford / Mazda

Courier PC, PD, PE, PG, PH, 2.6Lt 4cyl G6, 10/91-11/06
B2600 Bravo, 2.6Lt 4cyl G6, G6E, 12/90-7/06



TFC102

Holden

Commodore VP, VR, VS, 5.0Lt V8, 11/91-12/00
Commodore VL, VN, VG Ute, 5.0Lt V8, 3/86-8/88
Commodore VB, VC, VH, VK, 4.2, 5.0Lt V8, 11/78-2/86
Commodore VB, VC, VH, VK, 1.9Lt 4cyl, 2.8, 3.3Lt 6cyl, 11/78-2/86
Commodore VB, VC, 2.8Lt 6cyl, 11/78-9/81



TFC105

Mitsubishi

Challenger PA, 3.0Lt V6 6G72, 3/98-3/07
Delica 4WD, 2.5Lt 4cyl 4D65T, 1/89-12/95
Express L300 SF, SG, SH, SJ, 2.5Lt 4cyl 4D56, 1086-6/03
Express L200 MC, MD, 2.3Lt 4cyl 4D55, 10/82-10/86
Pajero NJ, NK, NL, 3.5Lt V6 6G74, 9/95-6/00
Pajero NG, NH, NJ, NK, 3.0Lt V6 6G72, 9/98-7/97
Pajero NG, NH, 2.5Lt 4cyl 4D56T, 9/89-10/93
Pajero NF, 3.0Lt V6 6G72, 5/88-8/89
Pajero NA, NF, 2.3, 2.5Lt 4cyl 4D55T, 4D56T eng. 5/84-8-89
Triton MH, MJ, MK, 3.0Lt V6 6G72, 9/90-10/06
Triton ME, MF, MG, MH, MJ, 2.5Lt 4cyl 4D56, 4D56T, 12/86-10/96



TFC167

Nissan

Patrol GU, 4.2Lt 6cyl Turbo TD42T, 5/98-4/07
Patrol GU, 4.5Lt 6cyl TB45E, 12/97-9/01
Patrol GQ, 4.2Lt 6cyl TB42E, 2/92-12/97



TFC106

Toyota

Landcruiser HDJ80, 4.2Lt 6cyl 1HDT, 1HDFT, 5/90-3/95
Landcruiser HDJ78, HDJ79, 4.2Lt 6cyl 1HDFTE, 11/01-3/07
Landcruiser HZJ78, HZJ79, 4.2Lt 6cyl 1HZ, 10/99-3/07
Landcruiser HZJ70, HZJ73, HZJ75, 4.2Lt 6cyl 1HZ, 1/90-10/99



TFC151

Toyota

Hilux KZN165, 3.0Lt 4cyl 1KZTE, 1/98-3/05
Prado KZJ95, KZJ120, 3.0Lt 4cyl 1KZTE, 3/00-11/06



Recommended Crimp for Hose Couplings

It is very important that a proper combination of hose, fitting and crimp style be used to ensure a coupling of high integrity. New SAE J2064 Coupling integrity standards require that extensive testing be done to ensure “leak free” couplings that will be environmentally friendly. Testing has shown that the old barb fitting when “face crimped” (like that produced by the old TO3300 crimpers) may not pass the new coupling integrity performance requirements.

The preferred fitting and crimp designs to meet SAE J2064 is the **Beadlock** style fittings (BL, SB, RB and SR prefixed part numbers) with a bubble style crimp, as produced by the TO3371 crimper & dies.



ATCO Air-O-Crimp System

The **Air-O-Crimp** fitting system has been developed for applications in which hose end fittings must be attached at the Point of Use in difficult applications. There is no need for a conventional crimping tool in order to achieve a reliable connection of the fitting and hose. The **Air-O-Crimp** system has passed SAE J2064 R134a Refrigerant Automotive Air Conditioning Hose Specification testing using the **ATCO 3800 Air-O-Crimp** series hose.



Standard Abbreviations & Identification Chart

FF - Female Flare		FSL - Female Springlock	
MF - Male Flare		MSL - Male Springlock	
FOR - Female O’ring		FTO - Female Tube-O	
MIOR - Male Insert O’ring		MTO - Male Tube-O	
MOR - Male O’ring		FRL - Female Rotolock	
FCOR - Female captive O’ring			

Part Number Prefixes

Suits 4826 hose

BLXXXX
Aluminium fitting with captive beadlock ferrule.

AFXXXX
Aluminium fitting with barb, requires a separate ferrule.

SBXXXX
Steel fitting with captive beadlock ferrule.

STXXXX
Steel fitting with barb, requires a separate ferrule.

Suits 3800 hose

ANXXXX
Steel fitting with barb, requires a separate clamp.

Suits 4860 hose

RBXXXX
Aluminium reduced beadlock with captive ferrule, suits Goodyear 4860 reduced OD diameter hose.

SRXXXX
Steel reduced beadlock with captive ferrule, suits Goodyear 4860 reduced OD hose.

CPXXXX
CP’s are used to identify fittings and parts usually associated with compressors.

Steel fittings are heavy duty fittings and are particularly suited to truck, agricultural equipment and off-road equipment.

Hose Fittings

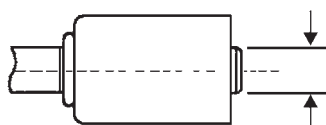
A/C hose sizes are determined by the inside diameter of the hose. Outside diameters of hose varies significantly and MUST NOT be used to determine hose size. All "Beadlock style" fittings shown in this catalogue are designed to be

used with TWO-BRAID Dimension hose only. Hose sizes are also known by the "6, 8, 10 and 12" number designations. The following chart below shows hose I.D.'s and their corresponding size number.

Hose Size

Hose I.D.	Hose Size
5/16" (.312")	6
13/32" (.406")	8
1/2" (.500")	10
5/8" (.625")	12

Note: Metric Threaded connections are not included in this sizing method.



To determine the hose size that a specific fitting is designed to fit, measure the outside diameter of the hose insert as shown.

Lubrication of Fittings

The lubrication of a fitting is as important as both the correct choice of the fitting for the intended application and the correct crimping of the hose to the fitting. On any fitting being fitted a small amount of refrigerant oil should be placed as follows;

Flare -

Back of the nut, this helps to prevent the fitting chaffing on between the nut and the tube and reduces the chance of the fitting turning when being tightened.

The flare surface must be lubricated to help the bedding between the two surfaces.

O'ring -

Back of the nut, again this helps stop the fitting from chaffing when being tightened as well as reduces the chances of the fitting turning when being tightened.

The O'ring must be lubricated to stop it binding in the receiver causing it to tear or roll within the bore.

Recommended Standard Torque Specifications

The correct torque setting for a hose or tube is one of the most important things to remember when tightening a fitting. If the incorrect torque is used then the fitting will be damaged. An O'ring fitting requires much less torque than a flare fitting and relies on the

O'ring to do the sealing, not the fitting itself. The torque applied to an O'ring fitting is only enough to stop the fitting from working loose.

Below is a chart which shows some recommendations.

Flared Connections

Tube O.D.	Thread	Ft/Lbs	Nm
1/4" (.250")	7/16"	11-12	15-16.5
3/8" (.375")	5/8"	18-20	24.5-27
1/2" (.500")	3/4"	36-39	49-53
5/8" (.625")	7/8"	52-57	70.5-77
3/4" (.750")	1-1/16"	71-79	96-107


O'ring Connections

Tube O.D.	Thread	Ft/Lbs	Nm
1/4" (.250")	7/16"	5-7	7-9.5
3/8" (.375")	5/8"	11-13	15-17.5
3/8" (.375")	11/16"	11-13	15-17.5
1/2" (.500")	3/4"	15-20	20-27
5/8" (.625")	7/8"	21-27	28.5-36.5
3/4" (.750")	1-1/16"	28-33	38-45


Ferrules		
Part No.	Material	Hose Size
AF3006	Steel	# 6
AF3008	Steel	# 8
AF3010	Steel	# 10
AF3012	Steel	# 12







A-O-C Clamps				
Part No.	Colour	Fitting Size.	Pack Qty	Notes
AN3806	Red	#6	20	3800 Hose
AN3806A	Red	#6	100	3800 Hose
AN3806C	Red	#6	Each	3800 Hose
AN3808	Black	#8	20	3800 Hose
AN3808A	Black	#8	100	3800 Hose
AN3808C	Black	#8	Each	3800 Hose
AN3810	Yellow	#10	20	3800 Hose
AN3810A	Yellow	#10	100	3800 Hose
AN3810C	Yellow	#10	Each	3800 Hose
AN3812	Green	#12	20	3800 Hose
AN3812A	Green	#12	100	3800 Hose
AN3812C	Green	#12	Each	3800 Hose
AN3816	Natural	#16	20	
AN3816A	Natural	#16	100	
AN3816C	Natural	#16	Each	



Female Flare Straight - Barb					
	Part No.	Material	Fitting Info.	Fitting Size	Hose Size
	AF1101	Aluminium	5/8" - 18	# 6	# 6
	AF1102	Aluminium	3/4" - 16	# 8	# 8
	AF1103	Aluminium	7/8" - 14	# 10	# 10
	AF1104	Aluminium	1 1/16" - 14	# 12	# 12
Step Up					
	AF1561	Aluminium	5/8" - 18	# 6	# 8
	AF1565	Aluminium	7/8" - 14	# 10	# 12
Step Down					
	AF1563	Aluminium	3/4" - 16	# 8	# 6
	AF1564	Aluminium	7/8" - 14	# 10	# 8

Female Flare Straight - Steel Barb					
	Part No.	Material	Fitting Info.	Fitting Size	Hose Size
	ST1101	Steel	5/8" - 18	# 6	# 6
	ST1102	Steel	3/4" - 16	# 8	# 8
	ST1103	Steel	7/8" - 14	# 10	# 10

Female Flare Straight - A-O-C					
	Part No.	Material	Fitting Info.	Fitting Size	Hose Size
	AN1101	Steel	5/8" - 18	# 6	# 6
	AN1102	Steel	3/4" - 16	# 8	# 8
	AN1103	Steel	7/8" - 14	# 10	# 10
R134a Service Valve					
	AN1101-3	Steel	5/8" - 18	# 6	# 6
	AN1102-3	Steel	3/4" - 16	# 8	# 8
	AN1103-3	Steel	7/8" - 14	# 10	# 10

Female Flare Straight - Beadlock					
	Part No.	Material	Fitting Info.	Fitting Size	Hose Size
	BL1101	Aluminium	5/8" - 18	# 6	# 6
	BL1102	Aluminium	3/4" - 16	# 8	# 8
	BL1103	Aluminium	7/8" - 14	# 10	# 10
	BL1104	Aluminium	1 1/16" - 14	# 12	# 12
R12 Service Valve					
	BL1101-1	Aluminium	5/8" - 18	# 6	# 6


Female Flare Straight - Beadlock


	Part No.	Material	Fitting Info.	Fitting Size	Hose Size
	R134a Service Valve				
	BL1101-3	Aluminium	5/8" - 18	# 6	# 6
	BL1102-3	Aluminium	3/4" - 16	# 8	# 8
	BL1103-3	Aluminium	7/8" - 14	# 10	# 10

	Step Up				
		BL1105	Aluminium	5/8" - 18	# 6
	BL1106	Aluminium	3/4" - 16	# 8	# 10
	BL1107	Aluminium	7/8" - 14	# 10	# 12


	Step Down				
		BL1108	Aluminium	3/4" - 16	# 8


Female Flare Straight - Steel Beadlock


	Part No.	Material	Fitting Info.	Fitting Size	Hose Size
		SB1101	Steel	5/8" - 18	# 6
	SB1102	Steel	3/4" - 16	# 8	# 8
	SB1103	Steel	7/8" - 14	# 10	# 10
	SB1104	Steel	1 1/16" - 14	# 12	# 12


	Step Up				
		SB1107	Steel	7/8" - 14	# 10

Female Flare 45° - Barb


	Part No.	Material	Fitting Info.	Fitting Size	Hose Size
		AF1111	Aluminium	5/8" - 18	# 6
	AF1112	Aluminium	3/4" - 16	# 8	# 8
	AF1113	Aluminium	7/8" - 14	# 10	# 10
	AF1114	Aluminium	1 1/16" - 14	# 12	# 12


	Step Up				
		AF1572	Aluminium	3/4" - 16	# 8


	Step Down				
		AF1573	Aluminium	3/4" - 16	# 8

Female Flare 45° - Steel Barb					
	Part No.	Material	Fitting Info.	Fitting Size	Hose Size
	ST1111	Steel	5/8" - 18	# 6	# 6
	ST1112	Steel	3/4" - 16	# 8	# 8
	ST1113	Steel	7/8" - 14	# 10	# 10


Female Flare 45° - A-O-C					
	Part No.	Material	Fitting Info.	Fitting Size	Hose Size
	AN1111	Steel	5/8" - 18	# 6	# 6
	AN1112	Steel	3/4" - 16	# 8	# 8
	AN1113	Steel	7/8" - 14	# 10	# 10


Female Flare 45° - Beadlock					
	Part No.	Material	Fitting Info.	Fitting Size	Hose Size
	BL1111	Aluminium	5/8" - 18	# 6	# 6
	BL1112	Aluminium	3/4" - 16	# 8	# 8
	BL1113	Aluminium	7/8" - 14	# 10	# 10
	BL1114	Aluminium	1 1/16" - 14	# 12	# 12

	Step Up				
	Part No.	Material	Fitting Info.	Fitting Size	Hose Size
	BL1115	Aluminium	5/8" - 18	# 6	# 8
	BL1116	Aluminium	3/4" - 16	# 8	# 10
BL1117	Aluminium	7/8" - 14	# 10	# 12	

	Step Down				
	Part No.	Material	Fitting Info.	Fitting Size	Hose Size
BL1118	Aluminium	3/4" - 16	# 8	# 6	

Female Flare 45° - Steel Beadlock					
	Part No.	Material	Fitting Info.	Fitting Size	Hose Size
	SB1112	Steel	3/4" - 16	# 8	# 8
	SB1113	Steel	7/8" - 14	# 10	# 10
	SB1114	Steel	1 1/16" - 14	# 12	# 12

Female Flare 90° - Barb					
	Part No.	Material	Fitting Info.	Fitting Size	Hose Size
	AF1121	Aluminium	5/8" - 18	# 6	# 6
	AF1122	Aluminium	3/4" - 16	# 8	# 8
	AF1123	Aluminium	7/8" - 14	# 10	# 10
	AF1124	Aluminium	1 1/16" - 14	# 12	# 12

	Step Up				
	Part No.	Material	Fitting Info.	Fitting Size	Hose Size
	AF1575	Aluminium	5/8" - 18	# 6	# 8
	AF1576	Aluminium	3/4" - 16	# 8	# 10
AF1577	Aluminium	7/8" - 14	# 10	# 12	

Female Flare 90° - Barb

	Part No.	Material	Fitting Info.	Fitting Size	Hose Size
	Step Down				
	AF1578	Aluminium	3/4" - 16	# 8	# 6
	AF1579	Aluminium	7/8" - 14	# 10	# 8

Female Flare 90° - Steel Barb

	Part No.	Material	Fitting Info.	Fitting Size	Hose Size
	ST1121	Steel	5/8" - 18	# 6	# 6
	ST1122	Steel	3/4" - 16	# 8	# 8
	ST1123	Steel	7/8" - 14	# 10	# 10

Female Flare 90° - A-O-C

	Part No.	Material	Fitting Info.	Fitting Size	Hose Size
	AN1121	Steel	5/8" - 18	# 6	# 6
	AN1122	Steel	3/4" - 16	# 8	# 8
	AN1123	Steel	7/8" - 14	# 10	# 10

	R134a Service Valve				
	AN1121-3	Steel	5/8" - 18	# 6	# 6
	AN1122-3	Steel	3/4" - 16	# 8	# 8
	AN1123-3	Steel	7/8" - 14	# 10	# 10

Female Flare 90° - Beadlock



	Part No.	Material	Fitting Info.	Fitting Size	Hose Size
	BL1121	Aluminium	5/8" - 18	# 6	# 6
	BL1122	Aluminium	3/4" - 16	# 8	# 8
	BL1123	Aluminium	7/8" - 14	# 10	# 10
	BL1124	Aluminium	1 1/16" - 14	# 12	# 12


	Step Up				
	BL1125	Aluminium	5/8" - 18	# 6	# 8
	BL1126	Aluminium	3/4" - 16	# 8	# 10
	BL1127	Aluminium	7/8" - 14	# 10	# 12


	Step Down				
	BL1128	Aluminium	3/4" - 16	# 8	# 6


	R12 Service Valve				
	BL1121-1	Aluminium	5/8" - 18	# 6	# 6
	BL1122-1	Aluminium	3/4" - 16	# 8	# 8
	BL1123-1	Aluminium	7/8" - 14	# 10	# 10


Female Flare 90° - Beadlock					
	Part No.	Material	Fitting Info.	Fitting Size	Hose Size
	R134a Service Valve				
	BL1121-3	Aluminium	5/8" - 18	# 6	# 6
	BL1122-3	Aluminium	3/4" - 16	# 8	# 8
	BL1123-3	Aluminium	7/8" - 14	# 10	# 10


Female Flare 90° - Steel Beadlock					
	Part No.	Material	Fitting Info.	Fitting Size	Hose Size
		SB1121	Steel	5/8" - 18	# 6
	SB1122	Steel	3/4" - 16	# 8	# 8
	SB1123	Steel	7/8" - 14	# 10	# 10
	SB1124	Steel	1 1/16" - 14	# 12	# 12
Step Up					
	SB1126	Steel	3/4" - 16	# 8	# 10
	SB1127	Steel	7/8" - 14	# 10	# 12


Male Flare Straight - Barb					
	Part No.	Material	Fitting Info.	Fitting Size	Hose Size
		AF1201	Aluminium	5/8" - 18	# 6
	AF1202	Aluminium	3/4" - 16	# 8	# 8
	AF1203	Aluminium	7/8" - 14	# 10	# 10
	AF1204	Aluminium	1 1/16" - 14	# 12	# 12


Male Flare Straight - Beadlock					
	Part No.	Material	Fitting Info.	Fitting Size	Hose Size
		BL1201	Aluminium	5/8" - 18	# 6
	BL1202	Aluminium	3/4" - 16	# 8	# 8
	BL1203	Aluminium	7/8" - 14	# 10	# 10
	BL1204	Aluminium	1 1/16" - 14	# 12	# 12


Male Flare 45° - Barb					
	Part No.	Material	Fitting Info.	Fitting Size	Hose Size
		AF1211	Aluminium	5/8" - 18	# 6
	AF1212	Aluminium	3/4" - 16	# 8	# 8
	AF1213	Aluminium	7/8" - 14	# 10	# 10
	AF1214	Aluminium	1 1/16" - 14	# 12	# 12


Male Flare 45° - Beadlock					
	Part No.	Material	Fitting Info.	Fitting Size	Hose Size
		BL1211	Aluminium	5/8" - 18	# 6
	BL1212	Aluminium	3/4" - 16	# 8	# 8
	BL1213	Aluminium	7/8" - 14	# 10	# 10
	BL1214	Aluminium	1 1/16" - 14	# 12	# 12


Male Flare 90° - Barb					
	Part No.	Material	Fitting Info.	Fitting Size	Hose Size
	AF1221	Aluminium	5/8" - 18	# 6	# 6
	AF1222	Aluminium	3/4" - 16	# 8	# 8
	AF1223	Aluminium	7/8" - 14	# 10	# 10


Male Flare 90° - Beadlock					
	Part No.	Material	Fitting Info.	Fitting Size	Hose Size
	BL1221	Aluminium	5/8" - 18	# 6	# 6
	BL1222	Aluminium	3/4" - 16	# 8	# 8
	BL1223	Aluminium	7/8" - 14	# 10	# 10
BL1224	Aluminium	1 1/16" - 14	# 12	# 12	


Female O'ring Straight - Barb					
	Part No.	Material	Fitting Info.	Fitting Size	Hose Size
	AF1301	Aluminium	5/8" - 18	# 6	# 6
	AF1302	Aluminium	3/4" - 16	# 8	# 8
	AF1303	Aluminium	7/8" - 14	# 10	# 10
AF1304	Aluminium	1 1/16" - 14	# 12	# 12	

	Step Up				
	Part No.	Material	Fitting Info.	Fitting Size	Hose Size
	AF1501	Aluminium	5/8" - 18	# 6	# 8
	AF1502	Aluminium	3/4" - 16	# 8	# 10
AF1503	Aluminium	7/8" - 14	#10	# 12	


	Step Down				
	Part No.	Material	Fitting Info.	Fitting Size	Hose Size
	AF1504	Aluminium	3/4" - 16	# 8	# 6
AF1505	Aluminium	7/8" - 14	# 10	# 8	

	R12 Service Valve				
	Part No.	Material	Fitting Info.	Fitting Size	Hose Size
	AF2302	Aluminium	3/4" - 16	# 8	# 8
AF2301	Aluminium	7/8" - 14	# 10	# 10	


	R134a Service Valve				
	Part No.	Material	Fitting Info.	Fitting Size	Hose Size
	AF1301-3	Aluminium	5/8" - 18	# 6	# 6
AF1302-3	Aluminium	3/4" - 16	# 8	# 8	
AF1303-3	Aluminium	7/8" - 14	# 10	# 10	


	Metric				
	Part No.	Material	Fitting Info.	Fitting Size	Hose Size
AF8302	Aluminium	M20 x 1.5	Metric	# 8	


Female O'ring Straight - Steel Barb


	Part No.	Material	Fitting Info.	Fitting Size	Hose Size
	ST1301	Steel	5/8" - 18	# 6	# 6
	ST1302	Steel	3/4" - 16	# 8	# 8
	ST1303	Steel	7/8" - 14	# 10	# 10


Female O'ring Straight - A-O-C

	Part No.	Material	Fitting Info.	Fitting Size	Hose Size
	AN1301	Steel	5/8" - 18	# 6	# 6
	AN1302	Steel	3/4" - 16	# 8	# 8
	AN1303	Steel	7/8" - 14	# 10	# 10
AN1304	Steel	1 1/16" - 14	# 12	# 12	


	Step Up				
	AN1305	Steel	5/8" - 18	# 6	# 8
	AN1306	Steel	3/4" - 16	# 8	# 10
	AN1307	Steel	7/8" - 14	# 10	# 12
	AN13036	Steel	7/8" - 14	# 10	# 16
	AN13046	Steel	1 1/16" - 14	# 12	# 16

	Step Down				
	AN1308	Steel	3/4" - 16	# 8	# 6
	AN1309	Steel	7/8" - 14	# 10	# 8

	R12 Service Valve				
	AN1302-1	Steel	3/4" - 16	# 8	# 8
	AN1303-1	Steel	7/8" - 14	# 10	# 10
	AN1304-1	Steel	1 1/16" - 14	# 12	# 12

	R134a Service Valve				
	AN1301-3	Steel	5/8" - 18	# 6	# 6
	AN1302-3	Steel	3/4" - 16	# 8	# 8
	AN1303-3	Steel	7/8" - 14	# 10	# 10
AN1304-3	Steel	1 1/16" - 14	# 12	# 12	


 Picture unavailable at time of printing refer www.cooldrive.com.au	R134a Hi Side Service Valve				
	AN1303-9	Steel	7/8" - 14	# 10	# 10


	R12 Service Valve Step Up				
	AN1306-3	Steel	3/4" - 16	# 8	# 10
	AN1307-3	Steel	7/8" - 14	# 10	# 12
	AN13036-3	Steel	7/8" - 14	# 10	# 16


Female O'ring Straight - A-O-C						
 Picture unavailable at time of printing refer www.cooldrive.com.au	Part No.	Material	Fitting Info.	Fitting Size	Hose Size	
	Switch Port M12					
	AN1304-5	Steel	1 1/16" - 14	# 12	# 12	
 Picture unavailable at time of printing refer www.cooldrive.com.au	Switch Port M12 Step Up					
	AN1307-5	Steel	7/8" - 14	# 10	# 12	
	Metric					
	AN9305	Steel	M20 x 1.5	Metric	# 8	
	AN9310	Steel	M27 x 2.0	Metric	# 10	

Female O'ring Straight - Beadlock					
	Part No.	Material	Fitting Info.	Fitting Size	Hose Size
	BL1301	Aluminium	5/8" - 18	# 6	# 6
	BL1302	Aluminium	3/4" - 16	# 8	# 8
	BL1303	Aluminium	7/8" - 14	# 10	# 10
	BL1304	Aluminium	1 1/16" - 14	# 12	# 12
	Step Up				
	BL9301	Aluminium	9/16" - 18	# 5	# 6
	BL1305	Aluminium	5/8" - 18	# 6	# 8
	BL1306	Aluminium	3/4" - 16	# 8	# 10
	BL1307	Aluminium	7/8" - 14	# 10	# 12
	Step Down				
	BL1308	Aluminium	3/4" - 16	# 8	# 6
	BL1310	Aluminium	1 1/16" - 14	# 12	# 10
	R12 Service Valve				
	BL1301-1	Aluminium	5/8" - 18	# 6	# 6
	BL1302-1	Aluminium	3/4" - 16	# 8	# 8
	BL1303-1	Aluminium	7/8" - 14	# 10	# 10
	R134a Service Valve				
	BL1301-3	Aluminium	5/8" - 18	# 6	# 6
	BL1302-3	Aluminium	3/4" - 16	# 8	# 8
	BL1303-3	Aluminium	7/8" - 14	# 10	# 10

Female O'ring Straight - Beadlock

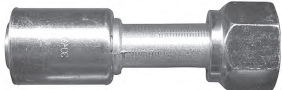
	Part No.	Material	Fitting Info.	Fitting Size	Hose Size
	R134a Service Valve Step Up				
	BL1307-3	Aluminium	7/8" - 14	# 10	# 12


	Metric				
	BL9302	Aluminium	M16 x 1.5	Metric	# 6
	BL9303	Aluminium	M18 x 1.5	Metric	# 6
	BL9304	Aluminium	M20 x 1.5	Metric	# 6
	BL9305	Aluminium	M20 x 1.5	Metric	# 8
	BL9306	Aluminium	M22 x 1.5	Metric	# 10


	Metric Captive O'ring				
	AF6101	Aluminium	M16 x 1.5	Metric	# 6 4826 Hose
	AF6102	Aluminium	M22 x 1.5	Metric	# 8 4826 Hose
	AF7102	Aluminium	M22 x 1.5	Metric	# 8 4860 Hose
	AF6103	Aluminium	M24 x 1.5	Metric	# 10 4826 Hose
	AF7103	Aluminium	M24 x 1.5	Metric	# 10 4860 Hose


Female O'ring Straight - Reduced Beadlock

	Part No.	Material	Fitting Info.	Fitting Size	Hose Size
	RB1301	Aluminium	5/8" - 18	# 6	# 6
	RB1302	Aluminium	3/4" - 16	# 8	# 8
	RB1303	Aluminium	7/8" - 14	# 10	# 10
	RB1304	Aluminium	1 1/16" - 14	# 12	# 12

	Step Up				
	RB1307	Aluminium	7/8" - 14	# 10	# 12

	Step Down				
	RB1308	Aluminium	3/4" - 16	# 8	# 6

	R134a Service Valve				
	RB1301-3	Aluminium	5/8" - 18	# 6	# 6
	RB1302-3	Aluminium	3/4" - 16	# 8	# 8
	RB1303-3	Aluminium	7/8" - 14	# 10	# 10

	R134a Service Valve Step Up				
	RB1307-3	Aluminium	7/8" - 14	# 10	# 12

Female O'ring Straight - Steel Beadlock

	Part No.	Material	Fitting Info.	Fitting Size	Hose Size
	SB1301	Steel	5/8" - 18	# 6	# 6
	SB1302	Steel	3/4" - 16	# 8	# 8
	SB1303	Steel	7/8" - 14	# 10	# 10
	SB1304	Steel	1 1/16" - 14	# 12	# 12

	Step Up				
	SB1305	Steel	5/8" - 18	# 6	# 8
	SB1306	Steel	3/4" - 16	# 8	# 10
	SB1307	Steel	7/8" - 14	# 10	# 12

	Step Down				
	SB1308	Steel	3/4" - 16	# 8	# 6
	SB1310	Steel	1 1/16" - 14	# 12	# 10

	R134a Service Valve				
	SB1301-3	Steel	5/8" - 18	# 6	# 6
	SB1302-3	Steel	3/4" - 16	# 8	# 8
	SB1303-3	Steel	7/8" - 14	# 10	# 10

	R134a Service Valve Step Up				
	SB1307-3	Steel	7/8" - 14	# 10	# 12





Female O'ring Straight - Steel Reduced Beadlock




	Part No.	Material	Fitting Info.	Fitting Size	Hose Size
	SR1301	Steel	5/8" - 18	# 6	# 6
	SR1302	Steel	3/4" - 16	# 8	# 8
	SR1303	Steel	7/8" - 14	# 10	# 10
	SR1304	Steel	1 1/16" - 14	# 12	# 12

	Step Up				
	SR1307	Steel	7/8" - 14	# 10	# 12


	R134a Service Valve				
	SR1301-3	Steel	5/8" - 18	# 6	# 6
	SR1302-3	Steel	3/4" - 16	# 8	# 8
	SR1303-3	Steel	7/8" - 14	# 10	# 10


	R134a Service Valve Step Up				
	SR1307-3	Steel	7/8" - 14	# 10	# 12


Female O'ring 45° - Barb					
	Part No.	Material	Fitting Info.	Fitting Size	Hose Size
	AF1311	Aluminium	5/8" - 18	# 6	# 6
	AF1312	Aluminium	3/4" - 16	# 8	# 8
	AF1313	Aluminium	7/8" - 14	# 10	# 10
	AF1314	Aluminium	1 1/16" - 14	# 12	# 12
Step Up					
	AF8311	Aluminium	9/16" - 18	# 5	# 6
	AF1513	Aluminium	7/8" - 14	# 10	# 12
R134a Service Valve					
	AF1311-3	Aluminium	5/8" - 18	# 6	# 6
	AF1312-3	Aluminium	3/4" - 16	# 8	# 8
	AF1313-3	Aluminium	7/8" - 14	# 10	# 10
Metric					
	AF8311-16	Aluminium	M16 x 1.5	Metric	# 6
	AF8312	Aluminium	M20 x 1.5	Metric	# 8


Female O'ring 45° - A-O-C					
	Part No.	Material	Fitting Info.	Fitting Size	Hose Size
	AN1311	Steel	5/8" - 18	# 6	# 6
	AN1312	Steel	3/4" - 16	# 8	# 8
	AN1313	Steel	7/8" - 14	# 10	# 10
	AN1314	Steel	1 1/16" - 14	# 12	# 12
Step Up					
	AN1316	Steel	3/4" - 16	# 8	# 10
	AN1317	Steel	7/8" - 14	# 10	# 12
	AN13146	Steel	1 1/16" - 14	# 12	
R134a Service Valve					
	AN1312-3	Steel	3/4" - 16	# 8	# 8
	AN1313-3	Steel	7/8" - 14	# 10	# 10


Female O'ring 45° - Beadlock					
	Part No.	Material	Fitting Info.	Fitting Size	Hose Size
	BL1311	Aluminium	5/8" - 18	# 6	# 6
	BL1312	Aluminium	3/4" - 16	# 8	# 8
	BL1313	Aluminium	7/8" - 14	# 10	# 10
	BL1314	Aluminium	1 1/16" - 14	# 12	# 12
Step Up					
	BL9311	Aluminium	9/16" - 18	# 5	# 6
	BL1315	Aluminium	5/8" - 18	# 6	# 8
	BL1316	Aluminium	3/4" - 16	# 8	# 10
	BL1317	Aluminium	7/8" - 14	# 10	# 12
R12 Service Valve					
	BL1311-1	Aluminium	5/8" - 18	# 6	# 6
	BL1312-1	Aluminium	3/4" - 16	# 8	# 8
	BL1313-1	Aluminium	7/8" - 14	# 10	# 10
R12 Service Valve Step Up					
	BL1317-1	Aluminium	7/8" - 14	# 10	# 12
R134a Service Valve					
	AFM607	Aluminium	5/8" - 18	# 6	# 6
	BL1311-3	Aluminium	5/8" - 18	# 6	# 6
	BL1312-3	Aluminium	3/4" - 16	# 8	# 8
	BL1313-3	Aluminium	7/8" - 14	# 10	# 10
R134a Service Valve Step Up					
	BL1317-3	Aluminium	7/8" - 14	# 10	# 12
Metric					
	BL9312	Aluminium	M16 x 1.5	Metric	# 6
	BL9313	Aluminium	M18 x 1.5	Metric	# 6
	BL9314	Aluminium	M20 x 1.5	Metric	# 6
	BL9315	Aluminium	M20 x 1.5	Metric	# 8
	BL9316	Aluminium	M22 x 1.5	Metric	# 10
	BL9317	Aluminium	M24 x 2.0	Metric	# 10
	BL9318	Aluminium	M27 x 2.0	Metric	# 12
Metric Captive O'ring					
	AF6111	Aluminium	M16 x 1.5	Metric	# 6 4826 Hose
	AF6112	Aluminium	M22 x 1.5	Metric	# 8 4826 Hose
	AF6113	Aluminium	M24 x 1.5	Metric	# 10 4826 Hose


Female O'ring 45° - Reduced Beadlock					
	Part No.	Material	Fitting Info.	Fitting Size	Hose Size
	RB1311	Aluminium	5/8" - 18	# 6	# 6
	RB1312	Aluminium	3/4" - 16	# 8	# 8
	RB1313	Aluminium	7/8" - 14	# 10	# 10
	RB1314	Aluminium	1 1/16" - 14	# 12	# 12


Female O'ring 45° - Steel Beadlock					
	Part No.	Material	Fitting Info.	Fitting Size	Hose Size
	SB1311	Steel	5/8" - 18	# 6	# 6
	SB1312	Steel	3/4" - 16	# 8	# 8
	SB1313	Steel	7/8" - 14	# 10	# 10
	SB1314	Steel	1 1/16" - 14	# 12	# 12


	Step Up				
	SB1317	Steel	7/8" - 14	# 10	# 12








	R134a Service Valve				
	SB1311-3	Steel	5/8" - 18	# 6	# 6
	SB1312-3	Steel	3/4" - 16	# 8	# 8
	SB1313-3	Steel	7/8" - 14	# 10	# 10


	R134a Service Valve Step Up				
	SB1317-3	Steel	7/8" - 14	# 10	# 12










Female O'ring 45° - Steel Reduced Beadlock					
	Part No.	Material	Fitting Info.	Fitting Size	Hose Size
	SR1311	Steel	5/8" - 18	# 6	# 6
	SR1312	Steel	3/4" - 16	# 8	# 8
	SR1313	Steel	7/8" - 14	# 10	# 10
	SR1314	Steel	1 1/16" - 14	# 12	# 12

	Step Up				
	SR1317	Steel	7/8" - 14	# 10	# 12

	R134a Service Valve				
	SR1311-3	Steel	5/8" - 18	# 6	# 6
	SR1312-3	Steel	3/4" - 16	# 8	# 8
	SR1313-3	Steel	7/8" - 14	# 10	# 10

Female O'ring 90° - Barb					
	Part No.	Material	Fitting Info.	Fitting Size	Hose Size
	AF1321	Aluminium	5/8" - 18	# 6	# 6
	AF1322	Aluminium	3/4" - 16	# 8	# 8
	AF1323	Aluminium	7/8" - 14	# 10	# 10
	AF1324	Aluminium	1 1/16" - 14	# 12	# 12
Short Drop					
	AF1322-SSD	Aluminium	3/4" - 16	# 8	# 8
	AF1323-SSD	Aluminium	7/8" - 14	# 10	# 10
Step Up					
	AF8321	Aluminium	9/16" - 18	# 5	# 6
	AF1521	Aluminium	5/8" - 18	# 6	# 8
	AF1522	Aluminium	3/4" - 16	# 8	# 10
	AF1523	Aluminium	7/8" - 14	# 10	# 12
Step Down					
	AF1524	Aluminium	3/4" - 16	# 8	# 6
	AF1525	Aluminium	7/8" - 14	# 10	# 8
	AF1526	Aluminium	1 1/16" - 14	# 12	# 10
R12 Service Valve					
	AF2322	Aluminium	3/4" - 16	# 8	# 8
R134a Service Valve					
	AF1321-3	Aluminium	5/8" - 18	# 6	# 6
	AF1322-3	Aluminium	3/4" - 16	# 8	# 8
	AF1323-3	Aluminium	7/8" - 14	# 10	# 10
Metric					
	AF8321-16	Aluminium	M16 x 1.5	Metric	# 6
	AF8322	Aluminium	M20 x 1.5	Metric	# 8


Female O'ring 90° - Steel Barb					
	Part No.	Material	Fitting Info.	Fitting Size	Hose Size
	ST1321	Steel	5/8" - 18	# 6	# 6
	ST1322	Steel	3/4" - 16	# 8	# 8
	ST1323	Steel	7/8" - 14	# 10	# 10
Short Drop					
	ST2321	Steel	5/8" - 18	# 6	# 6
	ST2322	Steel	3/4" - 16	# 8	# 8
	ST2323	Steel	7/8" - 14	# 10	# 10


Female O'ring 90° - A-O-C					
	Part No.	Material	Fitting Info.	Fitting Size	Hose Size
	AN1321	Steel	5/8" - 18	# 6	# 6
	AN1322	Steel	3/4" - 16	# 8	# 8
	AN1323	Steel	7/8" - 14	# 10	# 10
	AN1324	Steel	1 1/16" - 14	# 12	# 12
Step Up					
	AN1325	Steel	5/8" - 18	# 6	# 8
	AN1326	Steel	3/4" - 16	# 8	# 10
	AN1327	Steel	7/8" - 14	# 10	# 12
	AN13236	Steel	7/8" - 14	# 10	# 16
	AN13246	Steel	1 1/16" - 14	# 12	# 16
Step Down					
	AN1328	Steel	3/4" - 16	# 8	# 6
	AN1329	Steel	7/8" - 14	# 10	# 8
R12 Service Valve					
	AN1322-1	Steel	3/4" - 16	# 8	# 8
	AN1323-1	Steel	7/8" - 14	# 10	# 10
	AN1324-1	Steel	1 1/16" - 14	# 12	# 12
R12 Service Valve Step Up					
	AN1326-1	Steel	3/4" - 16	# 8	# 10
R134a Service Valve					
	AN1321-3	Steel	5/8" - 18	# 6	# 6
	AN1322-3	Steel	3/4" - 16	# 8	# 8
	AN1323-3	Steel	7/8" - 14	# 10	# 10
R134a Hi Side Service Valve					
	AN1323-9	Steel	7/8" - 14	# 10	# 10
R134a Service Valve Step Up					
	AN1326-3	Steel	3/4" - 16	# 8	# 10
	AN1327-3	Steel	7/8" - 14	# 10	# 12
R134a Service Valve Step Down					
	AN1328-3	Steel	3/4" - 16	# 8	# 6


Female O'ring 90° - A-O-C						
 Picture unavailable at time of printing refer www.cooldrive.com.au	Part No.	Material	Fitting Info.	Fitting Size	Hose Size	
	Switch Port M12					
	AN1323-5	Steel	7/8" - 14	# 10	# 10	# 10
AN1324-5	Steel	1 1/16" - 14	# 12	# 12	# 12	
Switch Port Step Up						
 Picture unavailable at time of printing refer www.cooldrive.com.au	AN1327-5	Steel	7/8" - 14	# 10	# 12	
Metric						
	AN9325	Steel	M20 x 1.5	Metric	# 8	
	AN9328	Steel	M27 x 2.0	Metric	# 12	
Metric R134a Service Valve						
	AN9324-3	Steel	M20 x 1.5	Metric	# 6	
	AN9327-3	Steel	M24 x 2.0	Metric	# 10	


Female O'ring 90° - Beadlock					
	Part No.	Material	Fitting Info.	Fitting Size	Hose Size
	AFM841	Aluminium	5/8" - 18	# 6	# 6
	BL1321	Aluminium	5/8" - 18	# 6	# 6
	BL1322	Aluminium	3/4" - 16	# 8	# 8
	BL1323	Aluminium	7/8" - 14	# 10	# 10
	BL1324	Aluminium	1 1/16" - 14	# 12	# 12
Step Up					
	BL9321	Aluminium	9/16" - 18	# 5	# 6
	BL1325	Aluminium	5/8" - 18	# 6	# 8
	BL1326	Aluminium	3/4" - 16	# 8	# 10
	BL1327	Aluminium	7/8" - 14	#10	# 12
Step Down					
	BL1328	Aluminium	3/4" - 16	# 8	# 6
	BL1330	Aluminium	1 1/16" - 14	# 12	# 10
R12 Service Valve					
	BL1321-1	Aluminium	5/8" - 18	# 6	# 6
	BL1322-1	Aluminium	3/4" - 16	# 8	# 8

Female O'ring 90° - Beadlock


	Part No.	Material	Fitting Info.	Fitting Size	Hose Size
	R134a Service Valve				
	AFM606	Aluminium	5/8" - 18	# 6	# 6
	BL1321-3	Aluminium	5/8" - 18	# 6	# 6
	BL1322-3	Aluminium	3/4" - 16	# 8	# 8
BL1323-3	Aluminium	7/8" - 14	# 10	# 10	


	R134a Service Valve Step Up				
	BL1327-3	Aluminium	7/8" - 14	#10	# 12


	Metric				
	BL9322	Aluminium	M16 x 1.5	Metric	# 6
	BL9323	Aluminium	M18 x 1.5	Metric	# 6
	BL9325	Aluminium	M20 x 1.5	Metric	# 8
	BL9326	Aluminium	M22 x 1.5	Metric	# 10
	BL9328	Aluminium	M27 x 2.0	Metric	# 12


	Metric Captive O'ring				
	AF6121	Aluminium	M16 x 1.5	Metric	# 6 4826 Hose
	AF6122	Aluminium	M22 x 1.5	Metric	# 8 4826 Hose
	AF7122	Aluminium	M22 x 1.5	Metric	# 8 4860 Hose
	AF6123	Aluminium	M24 x 1.5	Metric	# 10 4826 Hose
	AF7123	Aluminium	M24 x 1.5	Metric	# 10 4860 Hose


Female O'ring 90° - Reduced Beadlock


	Part No.	Material	Fitting Info.	Fitting Size	Hose Size
	RB1321	Aluminium	5/8" - 18	# 6	# 6
	RB1322	Aluminium	3/4" - 16	# 8	# 8
	RB1323	Aluminium	7/8" - 14	# 10	# 10
	RB1324	Aluminium	1 1/16" - 14	# 12	# 12


	Step Down				
	RB1328	Aluminium	3/4" - 16	# 8	# 6

	R134a Service Valve				
	RB1321-3	Aluminium	5/8" - 18	# 6	# 6
	RB1322-3	Aluminium	3/4" - 16	# 8	# 8
	RB1323-3	Aluminium	7/8" - 14	# 10	# 10

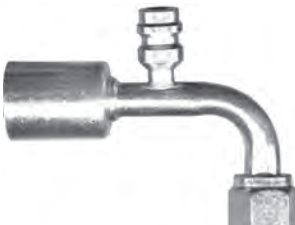
Female O'ring 90° - Steel Beadlock					
	Part No.	Material	Fitting Info.	Fitting Size	Hose Size
	SB1321	Steel	5/8" - 18	# 6	# 6
	SB1322	Steel	3/4" - 16	# 8	# 8
	SB1323	Steel	7/8" - 14	# 10	# 10
	SB1324	Steel	1 1/16" - 14	# 12	# 12

	Short Drop				
	Part No.	Material	Fitting Info.	Fitting Size	Hose Size
	SB1321-SSD	Steel	5/8" - 18	# 6	# 6
	SB1322-SSD	Steel	3/4" - 16	# 8	# 8
SB1323-SSD	Steel	7/8" - 14	# 10	# 10	


	Step Up				
	Part No.	Material	Fitting Info.	Fitting Size	Hose Size
	SB1325	Steel	5/8" - 18	# 6	# 8
	SB1326	Steel	3/4" - 16	# 8	# 10
SB1327	Steel	7/8" - 14	# 10	# 12	




	Step Down				
	Part No.	Material	Fitting Info.	Fitting Size	Hose Size
	SB1328	Steel	3/4" - 16	# 8	# 6
SB1330	Steel	1 1/16" - 14	# 12	# 10	


	R134a Service Valve				
	Part No.	Material	Fitting Info.	Fitting Size	Hose Size
	SB1321-3	Steel	5/8" - 18	# 6	# 6
	SB1322-3	Steel	3/4" - 16	# 8	# 8
SB1323-3	Steel	7/8" - 14	# 10	# 10	


	R134a Service Valve Step Up				
	Part No.	Material	Fitting Info.	Fitting Size	Hose Size
	SB1326-3	Steel	3/4" - 16	# 8	# 10
SB1327-3	Steel	7/8" - 14	# 10	# 12	


Female O'ring 90° - Steel Reduced Beadlock					
	Part No.	Material	Fitting Info.	Fitting Size	Hose Size
	SR1321	Steel	5/8" - 18	# 6	# 6
	SR1322	Steel	3/4" - 16	# 8	# 8
	SR1323	Steel	7/8" - 14	# 10	# 10
	SR1324	Steel	1 1/16" - 14	# 12	# 12


	Step Up				
	Part No.	Material	Fitting Info.	Fitting Size	Hose Size
SR1327	Steel	7/8" - 14	# 10	# 12	


Female O'ring 90° - Steel Reduced Beadlock						
	Part No.	Material	Fitting Info.	Fitting Size	Hose Size	
	Step Down					
	SR1328	Steel	3/4" - 16	# 8	# 6	
R134a Service Valve						
	SR1321-3	Steel	5/8" - 18	# 6	# 6	
	SR1322-3	Steel	3/4" - 16	# 8	# 8	
	SR1323-3	Steel	7/8" - 14	# 10	# 10	
R134a Service Valve Step Up						
	SR1327-3	Steel	7/8" - 14	# 10	# 12	


Female O'ring 180° - Barb					
	Part No.	Material	Fitting Info.	Fitting Size	Hose Size
	AF1933	Aluminium	5/8" - 18	# 6	# 6
	AF1932	Aluminium	3/4" - 16	# 8	# 8


Female O'ring 180° - A-O-C					
	Part No.	Material	Fitting Info.	Fitting Size	Hose Size
	AN1931	Steel	5/8" - 18	# 6	# 6
	Picture unavailable at time of printing refer www.cooldrive.com.au				


Female O'ring 180° - Beadlock					
	Part No.	Material	Fitting Info.	Fitting Size	Hose Size
	BL1931	Aluminium	5/8" - 18	# 6	# 6
	BL1932	Aluminium	3/4" - 16	# 8	# 8
	BL1933	Aluminium	7/8" - 14	# 10	# 10
	BL1934	Aluminium	1 1/16" - 14	# 12	# 12


Male O'ring Straight - Barb					
	Part No.	Material	Fitting Info.	Fitting Size	Hose Size
	AF1401	Aluminium	5/8" - 18	# 6	# 6
	AF1402	Aluminium	3/4" - 18	# 8	# 8
	AF1403	Aluminium	7/8" - 18	# 10	# 10
	AF1404	Aluminium	1 1/16" - 16	# 12	# 12


Male O'ring Straight - Steel Barb					
	Part No.	Material	Fitting Info.	Fitting Size	Hose Size
	ST1401	Steel	5/8" - 18	# 6	# 6
	ST1402	Steel	3/4" - 18	# 8	# 8
	ST1403	Steel	7/8" - 18	# 10	# 10

Male O'ring Straight - A-O-C					
	Part No.	Material	Fitting Info.	Fitting Size	Hose Size
	AN1401	Steel	5/8" - 18	# 6	# 6
	AN1402	Steel	3/4" - 18	# 8	# 8
	AN1403	Steel	7/8" - 18	# 10	# 10
	AN1404	Steel	1 1/16" - 16	# 12	# 12


	Step Up				
	Part No.	Material	Fitting Info.	Fitting Size	Hose Size
	AN1405	Steel	5/8" - 18	# 6	# 8
	AN1407	Steel	7/8" - 18	# 10	# 12
	AN14036	Steel	7/8" - 18	# 10	# 16
AN14046	Steel	1 1/16" - 16	# 12	# 16	


Male O'ring Straight - Beadlock					
	Part No.	Material	Fitting Info.	Fitting Size	Hose Size
	BL1401	Aluminium	5/8" - 18	# 6	# 6
	BL1402	Aluminium	3/4" - 18	# 8	# 8
	BL1403	Aluminium	7/8" - 18	# 10	# 10
	BL1404	Aluminium	1 1/16" - 16	# 12	# 12

	Step Up				
	Part No.	Material	Fitting Info.	Fitting Size	Hose Size
	BL1405	Aluminium	5/8" - 18	# 6	# 8
BL1407	Aluminium	7/8" - 18	# 10	# 12	


	Step Down				
	Part No.	Material	Fitting Info.	Fitting Size	Hose Size
BL1952	Aluminium	11/16" - 16	# 7	# 6	


Male O'ring Straight - Reduced Beadlock

	Part No.	Material	Fitting Info.	Fitting Size	Hose Size
	RB1401	Aluminium	5/8" - 18	# 6	# 6
	RB1402	Aluminium	3/4" - 18	# 8	# 8
	RB1403	Aluminium	7/8" - 18	# 10	# 10
	RB1404	Aluminium	1 1/16" - 16	# 12	# 12


	Step Up				
	RB1407	Aluminium	7/8" - 18	# 10	# 12


Male O'ring Straight - Steel Beadlock

	Part No.	Material	Fitting Info.	Fitting Size	Hose Size
	SB1401	Steel	5/8" - 18	# 6	# 6
	SB1402	Steel	3/4" - 18	# 8	# 8
	SB1403	Steel	7/8" - 18	# 10	# 10
	SB1404	Steel	1 1/16" - 16	# 12	# 12

	Step Up				
	SB1407	Steel	7/8" - 18	# 10	# 12



Male O'ring Straight - Steel Reduced Beadlock


	Part No.	Material	Fitting Info.	Fitting Size	Hose Size
	SR1401	Steel	5/8" - 18	# 6	# 6
	SR1402	Steel	3/4" - 18	# 8	# 8
	SR1403	Steel	7/8" - 18	# 10	# 10


	Step Up				
	SR1407	Steel	7/8" - 18	# 10	# 12


Male O'ring 45° - Barb


	Part No.	Material	Fitting Info.	Fitting Size	Hose Size
	AF1411	Aluminium	5/8" - 18	# 6	# 6
	AF1412	Aluminium	3/4" - 18	# 8	# 8
	AF1413	Aluminium	7/8" - 18	# 10	# 10
	AF1414	Aluminium	1 1/16" - 16	# 12	# 12


Male O'ring 45° - A-O-C					
	Part No.	Material	Fitting Info.	Fitting Size	Hose Size
	AN1411	Steel	5/8" - 18	# 6	# 6
	AN1413	Steel	7/8" - 18	# 10	# 10
Step Up					
	AN1417	Steel	7/8" - 18	# 10	# 12


Male O'ring 45° - Beadlock					
	Part No.	Material	Fitting Info.	Fitting Size	Hose Size
	BL1411	Aluminium	5/8" - 18	# 6	# 6
	BL1412	Aluminium	3/4" - 18	# 8	# 8
	BL1413	Aluminium	7/8" - 18	# 10	# 10
	BL1414	Aluminium	1 1/16" - 16	# 12	# 12


Male O'ring 45° - Reduced Beadlock					
	Part No.	Material	Fitting Info.	Fitting Size	Hose Size
	RB1412	Aluminium	3/4" - 18	# 8	# 8
	RB1413	Aluminium	7/8" - 18	# 10	# 10


Male O'ring 45° - Steel Beadlock						
	Part No.	Material	Fitting Info.	Fitting Size	Hose Size	
	Step Up					
	SB1417	Steel	7/8" - 18	# 10	# 12	


Male O'ring 45° - Steel Reduced Beadlock					
	Part No.	Material	Fitting Info.	Fitting Size	Hose Size
	SR1411	Steel	5/8" - 18	# 6	# 6
	SR1412	Steel	3/4" - 18	# 8	# 8
	SR1413	Steel	7/8" - 18	# 10	# 10

Male O'ring 90° - Barb					
	Part No.	Material	Fitting Info.	Fitting Size	Hose Size
	AF1421	Aluminium	5/8" - 18	# 6	# 6
	AF1422	Aluminium	3/4" - 18	# 8	# 8
	AF1423	Aluminium	7/8" - 18	# 10	# 10
	AF1424	Aluminium	1 1/16" - 16	# 12	# 12


Male O'ring 90° - Steel Barb					
	Part No.	Material	Fitting Info.	Fitting Size	Hose Size
	ST1421	Steel	5/8" - 18	# 6	# 6
	ST1422	Steel	3/4" - 18	# 8	# 8
	ST1423	Steel	7/8" - 18	# 10	# 10


Male O'ring 90° - A-O-C					
	Part No.	Material	Fitting Info.	Fitting Size	Hose Size
	AN1421	Steel	5/8" - 18	# 6	# 6
	AN1422	Steel	3/4" - 18	# 8	# 8
	AN1423	Steel	7/8" - 18	# 10	# 10
	AN1424	Steel	1 1/16" - 16	# 12	# 12


	Step Up				
	Part No.	Material	Fitting Info.	Fitting Size	Hose Size
	AN1425	Steel	5/8" - 18	# 6	# 8
	AN1426	Steel	3/4" - 18	# 8	# 10
	AN1427	Steel	7/8" - 18	# 10	# 12


	R134a Service Valve				
	Part No.	Material	Fitting Info.	Fitting Size	Hose Size
	AN1422-3	Steel	3/4" - 18	# 8	# 8

Picture unavailable at time of printing refer www.cooldrive.com.au

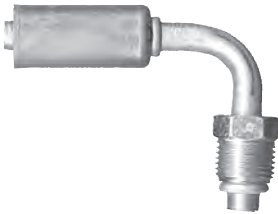
Male O'ring 90° - Beadlock					
	Part No.	Material	Fitting Info.	Fitting Size	Hose Size
	BL1421	Aluminium	5/8" - 18	# 6	# 6
	BL1422	Aluminium	3/4" - 18	# 8	# 8
	BL1423	Aluminium	7/8" - 18	# 10	# 10
	BL1424	Aluminium	1 1/16" - 16	# 12	# 12


	Step Up				
	Part No.	Material	Fitting Info.	Fitting Size	Hose Size
	BL1425	Aluminium	5/8" - 18	# 6	# 8
	BL1427	Aluminium	7/8" - 18	# 10	# 12

	Step Down				
	Part No.	Material	Fitting Info.	Fitting Size	Hose Size
	BL1953	Aluminium	11/16" - 16	# 7	# 6
	BL1428	Aluminium	3/4" - 18	# 8	# 6

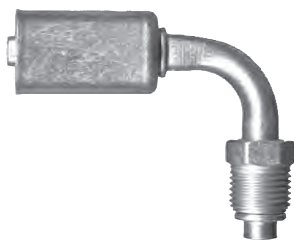
	R134a Service Valve Step Up				
	Part No.	Material	Fitting Info.	Fitting Size	Hose Size
	BL1427-3	Aluminium	7/8" - 18	# 10	# 12


Male O'ring 90° - Reduced Beadlock

	Part No.	Material	Fitting Info.	Fitting Size	Hose Size
	RB1423	Aluminium	7/8" - 18	# 10	# 10
	RB1424	Aluminium	1 1/16" - 16	# 12	# 12


	Step Up				
	RB1427	Aluminium	7/8" - 18	# 10	# 12


Male O'ring 90° - Steel Beadlock

	Part No.	Material	Fitting Info.	Fitting Size	Hose Size
	SB1421	Steel	5/8" - 18	# 6	# 6
	SB1422	Steel	3/4" - 18	# 8	# 8
	SB1423	Steel	7/8" - 18	# 10	# 10
	SB1424	Steel	1 1/16" - 16	# 12	# 12


	Step Up				
	SB1427	Steel	7/8" - 18	# 10	# 12



Male O'ring 90° - Steel Reduced Beadlock


	Part No.	Material	Fitting Info.	Fitting Size	Hose Size
	SR1421	Steel	5/8" - 18	# 6	# 6
	SR1422	Steel	3/4" - 18	# 8	# 8
	SR1423	Steel	7/8" - 18	# 10	# 10


	Step Up				
	SR1427	Steel	7/8" - 18	# 10	# 12


Male O'ring 180° - A-O-C


	Part No.	Material	Fitting Info.	Fitting Size	Hose Size
	AN1936	Steel	5/8" - 18	# 6	# 6
	AN1938	Steel	7/8" - 18	# 10	# 10


Male Insert O'ring Straight - Barb					
	Part No.	Material	Fitting Info.	Fitting Size	Hose Size
	AF1811	Aluminium	5/8" - 18	# 6	# 6
	AF1812	Aluminium	3/4" - 16	# 8	# 8
	AF1813	Aluminium	7/8" - 14	# 10	# 10
	AF1814	Aluminium	1 1/16" - 14	# 12	# 12
Step Up					
	AF1801	Aluminium	5/8" - 18	# 6	# 8


Male Insert O'ring Straight - A-O-C					
	Part No.	Material	Fitting Info.	Fitting Size	Hose Size
	AN1801	Steel	5/8" - 18	# 6	# 6
	AN1802	Steel	3/4" - 16	# 8	# 8
	AN1803	Steel	7/8" - 14	# 10	# 10


Metric					
 Picture unavailable at time of printing refer www.cooldrive.com.au	AN9409	Steel	M20 x 2.0	Metric	# 10


Male Insert O'ring Straight - Beadlock					
	Part No.	Material	Fitting Info.	Fitting Size	Hose Size
	BL1801	Aluminium	5/8" - 18	# 6	# 6
	BL1802	Aluminium	3/4" - 16	# 8	# 8
	BL1803	Aluminium	7/8" - 14	# 10	# 10
	BL1804	Aluminium	1 1/16" - 14	# 12	# 12


Male Insert O'ring Straight - Reduced Beadlock					
	Part No.	Material	Fitting Info.	Fitting Size	Hose Size
	RB1801	Aluminium	5/8" - 18	# 6	# 6
	RB1802	Aluminium	3/4" - 16	# 8	# 8
	RB1803	Aluminium	7/8" - 14	# 10	# 10
	RB1804	Aluminium	1 1/16" - 14	# 12	# 12


Male Insert O'ring Straight - Steel Beadlock					
	Part No.	Material	Fitting Info.	Fitting Size	Hose Size
	SB1801	Steel	5/8" - 18	# 6	# 6
	SB1802	Steel	3/4" - 16	# 8	# 8
	SB1803	Steel	7/8" - 14	# 10	# 10
	SB1804	Steel	1 1/16" - 14	# 12	# 12


Male Insert O'ring Straight - Steel Reduced Beadlock					
	Part No.	Material	Fitting Info.	Fitting Size	Hose Size
	SR1801	Steel	5/8" - 18	# 6	# 6
	SR1802	Steel	3/4" - 16	# 8	# 8
	SR1803	Steel	7/8" - 14	# 10	# 10


Male Insert O'ring 45° - Barb					
	Part No.	Material	Fitting Info.	Fitting Size	Hose Size
	AF1830	Aluminium	5/8" - 18	# 6	# 6
	AF1835	Aluminium	3/4" - 16	# 8	# 8


Step Up					
	AF1831	Aluminium	5/8" - 18	# 6	# 8
	AF1832	Aluminium	3/4" - 16	# 8	# 10


Male Insert O'ring 45° - Beadlock					
	Part No.	Material	Fitting Info.	Fitting Size	Hose Size
	BL1811	Aluminium	5/8" - 18	# 6	# 6
	BL1812	Aluminium	3/4" - 16	# 8	# 8
	BL1813	Aluminium	7/8" - 14	# 10	# 10


Male Insert O'ring 45° - Reduced Beadlock					
	Part No.	Material	Fitting Info.	Fitting Size	Hose Size
	RB1811	Aluminium	5/8" - 18	# 6	# 6
	RB1812	Aluminium	3/4" - 16	# 8	# 8
	RB1813	Aluminium	7/8" - 14	# 10	# 10
	RB1814	Aluminium	1 1/16" - 14	# 12	# 12


Male Insert O'ring 45° - Steel Beadlock					
	Part No.	Material	Fitting Info.	Fitting Size	Hose Size
	SB1814	Steel	1 1/16" - 14	# 12	# 12


Male Insert O'ring 90° - Barb					
	Part No.	Material	Fitting Info.	Fitting Size	Hose Size
	AF1840	Aluminium	5/8" - 18	# 6	# 6
	AF1845	Aluminium	3/4" - 16	# 8	# 8
	AF1846	Aluminium	7/8" - 14	# 10	# 10


	Step Up				
	Part No.	Material	Fitting Info.	Fitting Size	Hose Size
	AF1841	Aluminium	5/8" - 18	# 6	# 8
AF1842	Aluminium	3/4" - 16	# 8	# 10	






Male Insert O'ring 90° - A-O-C					
	Part No.	Material	Fitting Info.	Fitting Size	Hose Size
	AN1821	Steel	5/8" - 18	# 6	# 6
	AN1822	Steel	3/4" - 16	# 8	# 8
	AN1823	Steel	7/8" - 14	# 10	# 10



Male Insert O'ring 90° - Beadlock					
	Part No.	Material	Fitting Info.	Fitting Size	Hose Size
	BL1821	Aluminium	5/8" - 18	# 6	# 6
	BL1822	Aluminium	3/4" - 16	# 8	# 8
	BL1823	Aluminium	7/8" - 14	# 10	# 10

Male Insert O'ring 90° - Reduced Beadlock					
	Part No.	Material	Fitting Info.	Fitting Size	Hose Size
	RB1821	Aluminium	5/8" - 18	# 6	# 6
	RB1822	Aluminium	3/4" - 16	# 8	# 8
	RB1823	Aluminium	7/8" - 14	# 10	# 10
	RB1824	Aluminium	1 1/16" - 14	# 12	# 12


Male Insert O'ring 90° - Steel Reduced Beadlock					
	Part No.	Material	Fitting Info.	Fitting Size	Hose Size
	SR1821	Steel	5/8" - 18	# 6	# 6
	SR1822	Steel	3/4" - 16	# 8	# 8
	SR1823	Steel	7/8" - 14	# 10	# 10


Male Insert O'ring 90° - Steel Beadlock					
	Part No.	Material	Fitting Info.	Fitting Size	Hose Size
	SB1824	Steel	1 1/16" - 14	# 12	# 12


Splicer Straight - Barb				
	Part No.	Material	Hose Size	Notes
	AF1591	Aluminium	# 6 - # 6	
	AF1592	Aluminium	# 8 - # 8	
	AF1593	Aluminium	# 10 - # 10	
	AF1594	Aluminium	# 12 - # 12	
Step Up				
	AF1595	Aluminium	# 6 - # 8	
	AF1596	Aluminium	# 8 - # 10	
	AF1597	Aluminium	# 10 - # 12	
R12 Service Valve				
	AF1965	Aluminium	# 6 - # 6	1/4"
	AF1966	Aluminium	# 8 - # 8	1/4"
	AF1967	Aluminium	# 10 - # 10	1/4"
	AF1968	Aluminium	# 12 - # 12	1/4"
R134a Service Valve				
	AF1965-3	Aluminium	# 6 - # 6	Hi Side
	AF1966-3	Aluminium	# 8 - # 8	Hi Side
	AF1967-3	Aluminium	# 10 - # 10	Low Side
Sight Glass				
	AF1929	Aluminium	# 6 - # 6	

Splicer Straight - A-O-C				
	Part No.	Material	Hose Size	Notes
	AN6101	Steel	# 6 - # 6	
	AN6102	Steel	# 8 - # 8	
	AN6103	Steel	# 10 - # 10	
	AN6104	Steel	# 12 - # 12	
R12 Service Valve				
	AN6101-1	Steel	# 6 - # 6	1/4"
	AN6102-1	Steel	# 8 - # 8	1/4"
	AN6103-1	Steel	# 10 - # 10	1/4"
	AN6104-1	Steel	# 12 - # 12	1/4"

Splicer Straight - A-O-C


	Part No.	Material	Hose Size	Notes
	R134a Service Valve			
	AN6101-3	Steel	# 6 - # 6	Hi Side
	AN6102-3	Steel	# 8 - # 8	Hi Side
	AN6103-3	Steel	# 10 - # 10	Low Side
	AN6103-9	Steel	# 10 - # 10	Hi Side
	AN6104-3	Steel	# 12 - # 12	Low Side
	AN61066-3	Steel	# 16 - # 16	Low Side

	Metric Male Switch Port M10			
		AN6102-4	Steel	# 8 - # 8
	AN6103-4	Steel	# 10 - # 10	


 <small>Picture unavailable at time of printing refer www.cooldrive.com.au</small>	Metric Male Switch Port M12			
		AN6104-5	Steel	# 12 - # 12






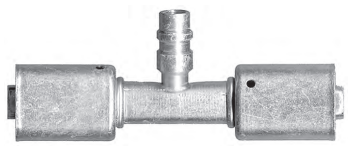

Splicer Straight - Beadlock




	Part No.	Material	Hose Size	Notes
		BL6101	Aluminium	# 6 - # 6
	BL6102	Aluminium	# 8 - # 8	
	BL6103	Aluminium	# 10 - # 10	
	BL6104	Aluminium	# 12 - # 12	


	Step Up			
		BL6105	Aluminium	# 6 - # 8
	BL6106	Aluminium	# 8 - # 10	
	BL6107	Aluminium	# 10 - # 12	


	R12 Service Valve			
		BL6101-1	Aluminium	# 6 - # 6
	BL6191	Aluminium	# 8 - # 8	3/16"
	BL6102-1	Aluminium	# 8 - # 8	1/4"
	BL6103-1	Aluminium	# 10 - # 10	1/4"
	BL6104-1	Aluminium	# 12 - # 12	1/4"


	R134a Service Valve			
		BL6101-3	Aluminium	# 6 - # 6
	BL6102-3	Aluminium	# 8 - # 8	Hi Side
	BL6108-3	Aluminium	# 8 - # 8	Hi Side
	BL6103-3	Aluminium	# 10 - # 10	Low Side
	BL6104-3	Aluminium	# 12 - # 12	Low Side


Splicer Straight - Reduced Beadlock				
	Part No.	Material	Hose Size	Notes
	RB6101	Aluminium	# 6 - # 6	
	RB6102	Aluminium	# 8 - # 8	
	RB6103	Aluminium	# 10 - # 10	
	RB6104	Aluminium	# 12 - # 12	
Step Up				
	RB6105	Aluminium	# 6 - # 8	
	RB6106	Aluminium	# 8 - # 10	
	RB6107	Aluminium	# 10 - # 12	
R134a Service Valve				
	RB6101-3	Aluminium	# 6 - # 6	Hi Side
	RB6102-3	Aluminium	# 8 - # 8	Hi Side
	RB6103-3	Aluminium	# 10 - # 10	Low Side
	RB6104-3	Aluminium	# 12 - # 12	Low Side
Splicer Straight - Steel Beadlock				
	Part No.	Material	Hose Size	Notes
	SB6101	Steel	# 6 - # 6	
	SB6102	Steel	# 8 - # 8	
	SB6103	Steel	# 10 - # 10	
	SB6104	Steel	# 12 - # 12	
R12 Service Valve				
	SB6101-1	Steel	# 6 - # 6	1/4"
	SB6102-1	Steel	# 8 - # 8	1/4"
	SB6103-1	Steel	# 10 - # 10	1/4"
	SB6104-1	Steel	# 12 - # 12	1/4"
R134a Service Valve				
	SB6101-3	Steel	# 6 - # 6	Hi Side
	SB6102-3	Steel	# 8 - # 8	Hi Side
	SB6103-3	Steel	# 10 - # 10	Low Side
Sight Glass				
	SB6190	Steel	# 6 - # 6	



Splicer Straight - Steel Reduced Beadlock				
	Part No.	Material	Hose Size	Notes
	SR6101	Steel	# 6 - # 6	
	SR6102	Steel	# 8 - # 8	
	SR6103	Steel	# 10 - # 10	
	SR6104	Steel	# 12 - # 12	
Step Up				
	SR6105	Steel	# 6 - # 8	
	SR6106	Steel	# 8 - # 10	
	SR6107	Steel	# 10 - # 12	
R134a Service Valve				
	SR6101-3	Steel	# 6 - # 6	Hi Side
	SR6102-3	Steel	# 8 - # 8	Hi Side
	SR6103-3	Steel	# 10 - # 10	Low Side
	SR6104-3	Steel	# 12 - # 12	Low Side


Splicer 90° - Barb				
	Part No.	Material	Hose Size	Notes
	AF1611	Aluminium	# 6 - # 6	
	AF1612	Aluminium	# 8 - # 8	
	AF1613	Aluminium	# 10 - # 10	
	AF1614	Aluminium	# 12 - # 12	


Splicer 90° - Beadlock				
	Part No.	Material	Hose Size	Notes
	BL6121	Aluminium	# 6 - # 6	
	BL6122	Aluminium	# 8 - # 8	
	BL6123	Aluminium	# 10 - # 10	
	BL6124	Aluminium	# 12 - # 12	


Splicer 180° - Barb				
	Part No.	Material	Hose Size	Notes
	AF1621	Aluminium	# 10 - # 10	
	AF1622	Aluminium	# 12 - # 12	

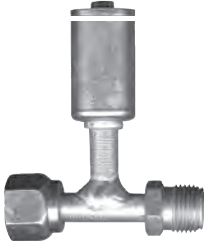
Splicer 180° - Beadlock				
	Part No.	Material	Hose Size	Notes
	BL6133	Aluminium	# 10 - # 10	
	BL6134	Aluminium	# 12 - # 12	

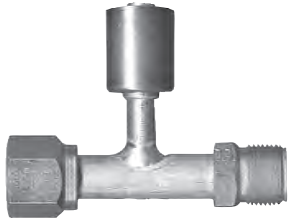
Splicer "T" - Barb				
	Part No.	Material	Hose Size	Notes
	AF1601	Aluminium	# 6 - # 6 - # 6	
	AF1602	Aluminium	# 8 - # 8 - # 8	
	AF1603	Aluminium	# 10 - # 10 - # 10	
	AF1604	Aluminium	# 12 - # 12 - # 12	
Step Down				
	AF1605	Aluminium	# 10 - # 12 - # 12	


Splicer "T" - A-O-C				
	Part No.	Material	Hose Size	Notes
	AN6201	Steel	# 6 - # 6 - # 6	
	AN6202	Steel	# 8 - # 8 - # 8	
	AN6203	Steel	# 10 - # 10 - # 10	
	AN6204	Steel	# 12 - # 12 - # 12	

Splicer "T" - Beadlock				
	Part No.	Material	Hose Size	Notes
	BL6201	Aluminium	# 6 - # 6 - # 6	
	BL6202	Aluminium	# 8 - # 8 - # 8	
	BL6203	Aluminium	# 10 - # 10 - # 10	
	BL6204	Aluminium	# 12 - # 12 - # 12	

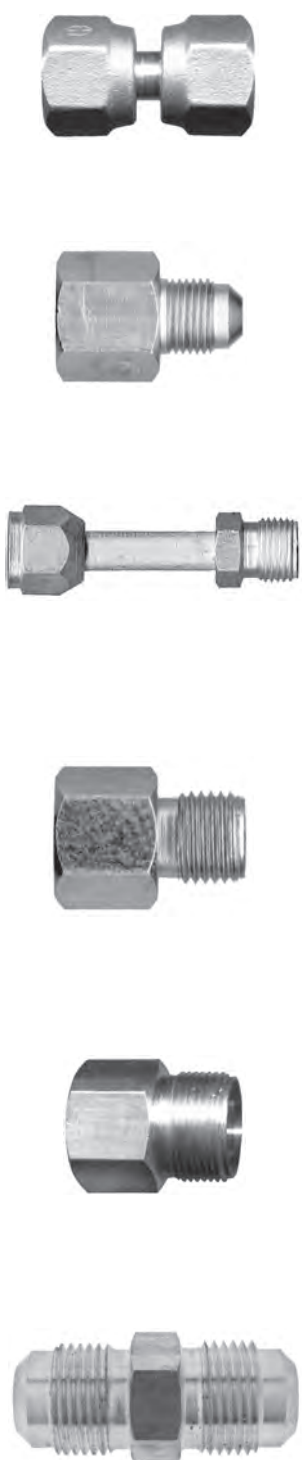
	Step Up			
	BL6210	Aluminium	#12 - # 10 - # 10	

	Part No.	Material	Fitting Info.	Fitting Size	Hose Size	
	FOR > MIOR					
	BL6225	Aluminium	5/8" - 18	# 6 - # 6	# 6	
	BL6235	Aluminium	7/8" - 14	# 10 - # 10	# 10	

	FOR > MIOR Step Up				
	BL6236	Aluminium	7/8" - 14	# 10 - # 10	# 12

Splicer "Y" - A-O-C				
	Part No.	Material	Hose Size	Notes
	AN6332	Steel	# 8 - # 8 - # 8	
	AN6333	Steel	# 10 - # 10 - # 10	
	AN6334	Steel	# 12 - # 12 - # 12	





Joiners / Adaptors




Joiners Straight				
	Part No.	Material	Fitting Info.	Notes
	FF > FF			
AF1180	Aluminium	# 6 (5/8" - 18) > # 6 (5/8" - 18)		
FF > MF				
AF2636	Brass	# 6 (5/8" - 18) > # 8 (3/4" - 16)		
AF2638	Brass	# 8 (3/4" - 16) > # 6 (5/8" - 18)		
AF2639	Brass	# 8 (3/4" - 16) > # 10 (7/8" - 14)		
AF2641	Brass	# 10 (7/8" - 14) > # 8 (3/4" - 16)		
FF > MIOR				
AF1821	Aluminium	# 6 (5/8" - 18) > # 6 (5/8" - 18)		
AF1822	Aluminium	# 8 (3/4" - 16) > # 8 (3/4" - 16)		
AF1823	Aluminium	# 10 (7/8" - 14) > # 10 (7/8" - 14)		
FF > MIOR				
AF2605	Brass	# 6 (5/8" - 18) > # 5 (9/16" - 18)		
AF2606	Brass	# 6 (5/8" - 18) > # 6 (5/8" - 18)		
AF2608	Brass	# 8 (3/4" - 16) > # 8 (3/4" - 16)		
AF2610	Brass	# 8 (3/4" - 16) > # 10 (7/8" - 14)		
AF8332	Brass	# 8 (3/4" - 16) > # 8 (M20 x 2.0)		
AF2609	Brass	# 10 (7/8" - 14) > # 10 (7/8" - 14)		
FF > MCOR				
AF0008	Brass	# 8 (3/4" - 16) > # 8 (3/4" - 16)		
MF > MF				
AF2640	Brass	# 6 (5/8" - 18) > # 6 (5/8" - 18)		
AF2642	Brass	# 8 (3/4" - 16) > # 8 (3/4" - 16)		
AF2205	Brass	# 10 (7/8" - 14) > # 10 (7/8" - 14)		
AF2646	Brass	# 5 (9/16" - 18) > # 6 (5/8" - 18)		
AF2649	Brass	# 8 (3/4" - 16) > # 10 (7/8" - 14)		


Joiners Straight




Part No.	Material	Fitting Info.	Notes
FF > MF Sight Glass			
AF2670	Steel	# 6 (5/8" - 18) > # 6 (5/8" - 18)	
FIOR > MOR			
AF2621	Brass	# 7 (1 1/16" - 16) > # 6 (5/8" - 18)	
FOR > MIOR			
AF2604	Brass	# 5 (9/16" - 18) > # 6 (5/8" - 18)	
AF2614	Brass	# 6 (5/8" - 18) > # 6 (M16 x 1.5)	
AF2613	Brass	# 6 (M16 x 1.5) > # 6 (5/8" - 18)	
AF2612	Brass	# 10 (M22 x 2.0) > # 10 (7/8" - 14)	
AF2611	Steel	# 10 (7/8" - 14) > # 10 (M22 x 2.0)	
FOR > MIOR R134a Service Valve			
AF6301	Steel	# 6 (5/8" - 18) > # 6 (5/8" - 18)	
AF6302	Steel	# 8 (3/4" - 16) > # 8 (3/4" - 16)	
AF6303	Steel	# 10 (7/8" - 14) > # 10 (7/8" - 14)	
AF6304	Steel	# 12 (1 1/16" - 14) > # 12 (1 1/16" - 14)	
FOR > MIOR SIGHT GLASS			
AF2675	Steel	# 6 (5/8" - 18) > # 6 (5/8" - 18)	
FOR > MIOR MALE SWITCH PORT - 3/8" - 24 UNF			
AF1972	Steel	# 6 (5/8" - 18) > # 6 (5/8" - 18)	
MIOR > MIOR			
AF2654	Steel	# 5 (9/16" - 18) > # 5 (9/16" - 18)	
AF2655	Steel	# 6 (5/8" - 18) > # 6 (5/8" - 18)	
MIOR > MIOR R134a SERVICE VALVE			
AF2652	Steel	# 5 (9/16" - 18) > # 5 (9/16" - 18)	
MIOR > FIOR			
AF2602	Brass	# 6 (5/8" - 18) > # 6 (5/8" - 18)	

Joiner 90°				
	Part No.	Material	Fitting Info.	Notes
	AF2656	Steel	# 6 (5/8" - 18) > # 6 (5/8" - 18)	
	AF2658	Steel	# 8 (3/4" - 16) > # 8 (3/4" - 16)	
	AF2660	Steel	# 10 (7/8" - 14) > # 10 (7/8" - 14)	
FF > MIOR				
	AF8605	Aluminium	# 6 (5/8" - 18) > # 5 (9/16" - 18)	
	AF8606	Aluminium	# 6 (5/8" - 18) > # 6 (5/8" - 18)	
FOR > MIOR				
	AF4558	Steel	# 6 (5/8" - 18) > # 6 (5/8" - 18)	
	AF3431	Steel	# 8 (3/4" - 16) > # 8 (3/4" - 16)	
	AF3432	Steel	# 10 (7/8" - 14) > # 10 (7/8" - 14)	
FF > MIOR				
	AF3431SSD	Steel	# 8 (3/4" - 16) > # 8 (3/4" - 16)	
	AF3432SSD	Steel	# 10 (7/8" - 14) > # 10 (7/8" - 14)	


Joiner "T"						
	Part No.	Material	Fitting Info.	Fitting Size	Hose Size	
	FOR > MIOR > MIOR					
	AF2930	Steel	5/8" - 18	# 6 - # 6 - # 6		
	AF2931	Steel	3/4" - 16	# 8 - # 8 - # 8		
AF2932	Steel	7/8" - 14	# 10 - # 10 - # 10			
MIOR > MIOR > FOR						
	AF5625	Steel	5/8" - 18	# 6 - # 6 - # 6		
	AF5630	Steel	3/4" - 16	# 8 - # 8 - # 8		
	AF4297	Steel	7/8" - 14	# 10 - # 10 - # 10		
MIOR > MIOR > MIOR						
	AF6246	Steel	5/8" - 18	# 6 - # 6 - # 6		
	AF6247	Steel	7/8" - 14	# 10 - # 10 - # 10		


Bulkhead Straight - Barb						
	Part No.	Material	Fitting Info.	Fitting Size	Hose Size	
	MIOR					
	AF1791	Aluminium	5/8" - 18	# 6	# 6	
	AF1792	Aluminium	3/4" - 16	# 8	# 8	


Bulkhead Straight - Steel						
	Part No.	Material	Fitting Info.	Fitting Size	Hose Size	
	MF > MF					
	ST3004	Steel	3/4" - 16	# 8 - # 8		
	ST3005	Steel	7/8" - 14	# 10 - # 10		

	MIOR > MIOR				
	Part No.	Material	Fitting Info.	Fitting Size	Hose Size
	ST3000	Steel	5/8" - 18	# 6 - # 6	
	ST3001	Steel	3/4" - 16	# 8 - # 8	
	ST3002	Steel	7/8" - 14	# 10 - # 10	
ST3006	Steel	1 1/16" - 14	# 12 - # 12		

Bulkhead Straight - Beadlock						
	Part No.	Material	Fitting Info.	Fitting Size	Hose Size	
	MIOR					
	BL1701	Aluminium	5/8" - 18	# 6	# 6	
	BL1702	Aluminium	3/4" - 16	# 8	# 8	
	BL1703	Aluminium	7/8" - 14	# 10	# 10	






Bulkhead 90° - Barb						
	Part No.	Material	Fitting Info.	Fitting Size	Hose Size	
	MIOR					
	AF1796	Aluminium	3/4" - 16	# 8	# 8	

Bulkhead 90° - A-O-C						
	Part No.	Material	Fitting Info.	Fitting Size	Hose Size	
	MIOR					
	AN1721	Steel	5/8" - 18	# 6	# 6	
	AN1722	Steel	3/4" - 16	# 8	# 8	
AN1723	Steel	7/8" - 14	# 10	# 10		

Bulkhead 90° - A-O-C					
	Part No.	Material	Fitting Info.	Fitting Size	Hose Size
	MIOR Step Up				
	AN1727	Steel	7/8" - 14	# 10	# 12

Bulkhead 90° - Beadlock					
	Part No.	Material	Fitting Info.	Fitting Size	Hose Size
	MIOR				
	BL1721	Aluminium	5/8" - 18	# 6	# 6
	BL1722	Aluminium	3/4" - 16	# 8	# 8
BL1723	Aluminium	7/8" - 14	# 10	# 10	

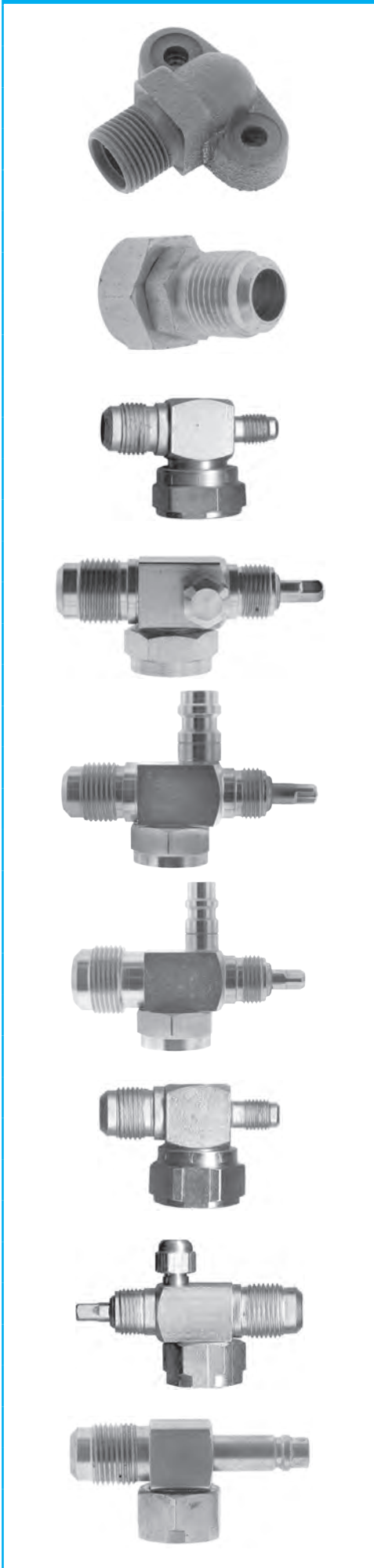
Compressor Fittings

Compressor Fittings					
	Part No.	Material	Fitting Info.	Hose Size	Notes
	Female Rotolock > Barb - R12 Service Valve				
CP2022	Steel			# 8	1/4"
Female Rotolock > Steel Beadlock - R12 Service Valve					
	SB2133-1	Steel		# 10	1/4"
Female Rotolock > Steel Beadlock - R134a Service Valve					
	SB2132-3	Steel		# 8	Hi Side
	SB2133-3	Steel		# 10	Low Side
Female Tube O > Steel Beadlock - R12 Service Valve					
	SB2142-1	Steel		# 8	1/4"
	SB2143-1	Steel		# 10	1/4"
	SB2144-1	Steel		# 12	1/4"
Female Tube O > Steel Beadlock - R134a Service Valve					
	SB2142-3	Steel		# 8	Hi Side
	SB2143-3	Steel		# 10	Low Side
	SB2144-3	Steel		# 12	Low Side

	Part No.	Material	Fitting Info.	Fitting Size	Notes
	Flange > MIOR - R134a Service Valve				
	CP1933	Steel	3/4" - 16	# 8	Hi Side
CP1932	Steel	7/8" - 14	# 10	Low Side	



Compressor Fittings



Part No.	Material	Fitting Info.	Fitting Size	Notes
Flange > MIOR (TM31 > UX330)				
CP1190D	Steel	7/8" - 14	# 10	
CP1190S	Steel	11/16" - 14	# 12	
Female Rotolock > MF				
CP3010	Steel	3/4" - 16	# 8	
CP3011	Steel	7/8" - 14	# 10	
Female Rotolock > MF - R12 Service Valve				
CP2020	Steel	3/4" - 16	# 8	1/4"
CP2021	Steel	7/8" - 14	# 10	1/4"
Female Rotolock > MF - R12 Service Valve - Back Seat Valve				
CP2119	Steel	3/4" - 16	# 8	1/4"
CP2120	Steel	7/8" - 14	# 10	1/4"
Female Rotolock > MF - R134a Hi Side Service Valve - Back Seat Valve				
CP1949	Steel	7/8" - 14	#10	Hi Side
Female Rotolock > MF - R134a Low Side Service Valve - Back Seat Valve				
CP1950	Steel	11/16"	#12	Low Side
Female Tube O > MF - R12 Service Valve				
CP220T	Steel	3/4" - 16	# 8	1/4"
Female Tube O > MF - R12 Service Valve - Back Seat Valve				
CP1105	Steel	7/8" - 14	# 10	1/4"
Female Tube O > MF - R134a Low Side Service Valve - Back Seat Valve				
CP1926	Steel	7/8" - 14	# 10	Low Side

Compressor Fittings

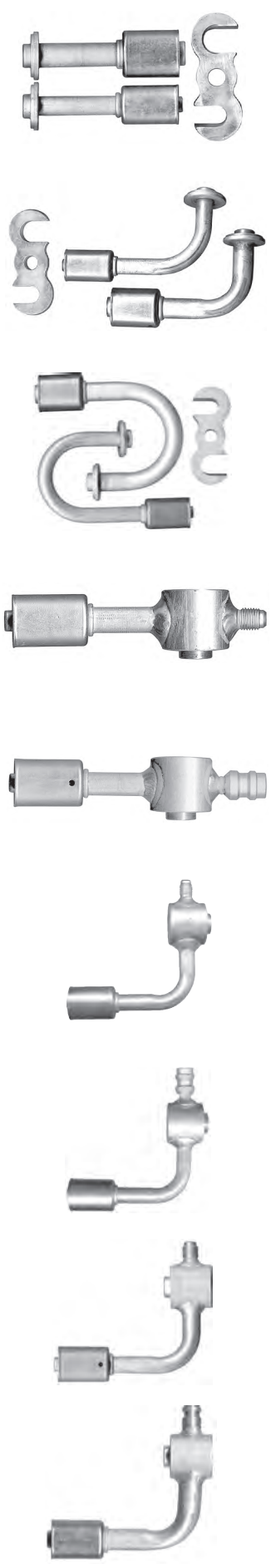


Part No.	Material	Fitting Info.	Fitting Size	Notes
Female Tube O > MIOR - R12 Service Valve				
CP2024	Steel	3/4" - 16	# 8	1/4"
CP2025	Steel	7/8" - 14	# 10	1/4"
Female Tube O > MIOR - R12 Service Valve - Back Seat Valve				
CP5658	Steel	3/4" - 16	# 8	1/4"
CP5651	Steel	7/8" - 14	# 10	1/4"
Female Tube O > MIOR - R134a Service Valve				
CP1937	Steel	3/4" - 16	# 8	Hi Side
CP1936	Steel	7/8" - 14	# 10	Low Side
Female Tube O > MIOR - R134a Service Valve - Back Seat Valve				
CP1935	Steel	3/4" - 16	# 8	Hi Side
CP1934	Steel	7/8" - 14	# 10	Low Side
Female Tube O > MIOR - R134a Hi Side Service Valve - Back Seat Valve				
CP1947	Steel	7/8" - 14	# 10	Hi Side
Female Rotolock > MIOR - R12 Service Valve				
CP2031	Steel	3/4" - 16	# 8	1/4"
CP2032	Steel	7/8" - 14	# 10	1/4"
Female Rotolock > MIOR - R12 Service Valve (Side) - Back Seat Valve				
CP5608	Steel	3/4" - 16	# 8	1/4"
Female Rotolock > MIOR - R12 Service Valve (Top) - Back Seat Valve				
CP5618	Steel	3/4" - 16	# 8	1/4"
CP5611	Steel	7/8" - 14	# 10	1/4"
Female Rotolock > MIOR - R134a Service Valve				
CP1929	Steel	3/4" - 16	# 8	Hi Side
CP1928	Steel	7/8" - 14	# 10	Low Side

Compressor Fittings				
Part No.	Material	Fitting Info.	Fitting Size	Notes
Female Rotolock > MIOR - R134a Service Valve - Back Seat Valve				
CP1931	Steel	3/4" - 16	# 8	Hi Side
CP1930	Steel	7/8" - 14	# 10	Low Side
Female Rotolock > MIOR - R134a Hi Side Service Valve - Back Seat Valve				
CP5691	Steel	7/8" - 14	# 10	Hi Side

Part No.	Material	Fitting Info.	Notes
FOR > MIOR - R134a Service Valve			
CP2208	Steel	# 8 (3/4" - 16) > # 8 (3/4" - 16)	Hi Side
CP2209	Steel	# 10 (7/8" - 14) > # 10 (7/8" - 14)	Low Side
FOR > MIOR - R134a Service Valve - Back Seat Valve			
CP1942	Steel	# 8 (3/4" - 16) > # 8 (3/4" - 16)	Hi Side
CP1945	Steel	# 8 (3/4" - 16) > # 10 (7/8" - 14)	Hi Side
CP1943	Steel	# 10 (7/8" - 14) > # 10 (7/8" - 14)	Low Side
CP1944	Steel	# 10 (7/8" - 14) > # 12 (1 1/16" - 14)	Low Side
CP1941	Steel	# 12 (1 1/16" - 14) > #12 (1 1/16" - 14)	Low Side
FOR > MIOR - R134a Hi Side Service Valve - Back Seat Valve			
CP1946	Steel	# 10 (7/8" - 14) > # 10 (7/8" - 14)	Hi Side
Tube O > Rotolock			
CP1954	Steel		
Female Rotolock > Male Tube O			
CP1955	Steel		
Flange > Male Tube O			
CP1956	Steel		
Flange > Male Rotolock			
CP1957	Steel		

Compressor Fittings



Part No.	Material	Fitting Info.	Hose Size	Notes
GM Pad Straight > Beadlock				
BL1920	Aluminium		# 8 & # 12	
GM Pad 90° > Beadlock				
BL1900	Aluminium		# 8 & # 12	
GM Pad 180° > Beadlock				
BL1908	Aluminium		# 8 & # 12	
GM Pad Straight > Beadlock - R12 Service Valve				
BL5602-1	Aluminium		# 8	1/4"
BL5603-1	Aluminium		# 10	1/4"
GM Pad Straight > Beadlock - R134a Service Valve				
BL5602-3	Aluminium		# 8	Hi Side
BL5603-3	Aluminium		# 10	Low Side
BL5604-3	Aluminium		# 12	Low Side
GM Pad 90° > Beadlock - R12 Service Valve				
BL5622-1	Aluminium		# 8	1/4"
BL5623-1	Aluminium		# 10	1/4"
BL5624-1	Aluminium		# 12	1/4"
GM Pad 90° > Beadlock - R134a Service Valve				
BL5622-3	Aluminium		# 8	Hi Side
BL5623-3	Aluminium		# 10	Low Side
BL5624-3	Aluminium		# 12	Low Side
GM Pad 90° > Beadlock - R12 Service Valve				
BL5625-1	Aluminium		# 8	1/4"
BL5626-1	Aluminium		# 10	1/4"
BL5627-1	Aluminium		# 12	1/4"
GM Pad 90° > Beadlock - R134a Service Valve				
BL5625-3	Aluminium		# 8	Hi Side
BL5627-3	Aluminium		# 12	Low Side


Compressor Fittings						
	Part No.	Material	Fitting Info.	Fitting Size	Hose Size	
	GM Pad > VTO					
	AF8935	Cast		1" x 14		
GM Pad > HTO						
AF8936	Cast		1" x 14			
GM Pad > VOR						
AF8937	Cast		# 8 & # 10			
GM Pad > MIOR						
AF8989			Swivel	# 8 & # 10		
AF0870			Swivel	# 8 & # 10		

Compression Fittings


Compression Straight - Barb					
	Part No.	Material	Fitting Info.	Tube Size	Hose Size
	AF2680	Steel	5/8" - 18	3/8 Tube	# 6
	AF2681	Steel	3/4" - 16	1/2 Tube	# 8
	AF2782	Steel		14.5mm Tube	

Compression Straight - Steel Beadlock					
	Part No.	Material	Fitting Info.	Tube Size	Hose Size
	SB2901	Steel	5/8" - 18	3/8 Tube	# 6
	SB2905	Steel	5/8" - 18	3/8 Tube	# 8
	SB2908	Steel	3/4" - 16	1/2 Tube	# 6

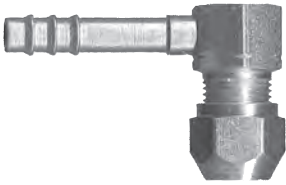
Compression Straight - Steel Beadlock

	Part No.	Material	Fitting Info.	Tube Size	Hose Size
	SB2902	Steel	3/4" - 16	1/2 Tube	# 8
	SB2906	Steel	3/4" - 16	1/2 Tube	# 10
	SB2909	Steel	7/8" - 14	5/8 Tube	# 8
	SB2903	Steel	7/8" - 14	5/8 Tube	# 10
	SB2904	Steel	1 1/16" - 14	3/4 Tube	# 12
	SB3001	Steel	5/8" - 18	8mm Tube	# 6
	SB3002	Steel	3/4" - 16	12mm Tube	# 8
	SB3003	Steel	7/8" - 14	14.5mm Tube	# 10


Compression Straight - Steel Reduced Beadlock

	Part No.	Material	Fitting Info.	Tube Size	Hose Size
	SR2901	Steel	5/8" - 18	3/8 Tube	# 6
	SR2906	Steel	3/4" - 16	1/2 Tube	# 10


Compression 90° - Barb


	Part No.	Material	Fitting Info.	Tube Size	Hose Size
	AF2690	Steel	5/8" - 18	3/8 Tube	# 6

Compression 90° - Steel Beadlock


	Part No.	Material	Fitting Info.	Tube Size	Hose Size
	SB2921	Steel	5/8" - 18	3/8 Tube	# 6
	SB2925	Steel	5/8" - 18	3/8 Tube	# 8
	SB2928	Steel	3/4" - 16	1/2 Tube	# 6
	SB2922	Steel	3/4" - 16	1/2 Tube	# 8
	SB2926	Steel	3/4" - 16	1/2 Tube	# 10
	SB2929	Steel	7/8" - 14	5/8 Tube	# 8
	SB2923	Steel	7/8" - 14	5/8 Tube	# 10


Compression Joiner

	Part No.	Material	Fitting Info.	Tube Size	Hose Size
	AF2686	Steel	5/8" - 18	3/8 Tube	
	AF2687	Steel	3/4" - 16	1/2 Tube	


Compression Joiner						
	Part No.	Material	Fitting Info.	Tube Size	Notes	
	R134a Service Valve					
	AF6351	Steel	5/8" - 18	3/8 Tube	Hi Side	
	AF6352	Steel	3/4" - 16	1/2 Tube	Hi Side	
	AF6353	Steel	7/8" - 14	5/8 Tube	Low Side	
AF6354	Steel			Low Side		


Springlock Fittings

Female Springlock Straight - Beadlock					
	Part No.	Material	Fitting Info.	Fitting Size	Hose Size
	BL4101	Aluminium		# 6	# 6
	BL4102	Aluminium		# 8	# 8
	BL4103	Aluminium		# 10	# 10
	BL4104	Aluminium		# 12	# 12




	Step Up				
	Part No.	Material	Fitting Info.	Fitting Size	Hose Size
	BL4107	Aluminium		# 10	# 12



Female Springlock 45° - Beadlock					
	Part No.	Material	Fitting Info.	Fitting Size	Hose Size
	BL4112	Aluminium		# 8	# 8
	BL4113	Aluminium		# 10	# 10
	BL4114	Aluminium		# 12	# 12



	Step Up				
	Part No.	Material	Fitting Info.	Fitting Size	Hose Size
BL4117	Aluminium		# 10	# 12	



	Step Down				
	Part No.	Material	Fitting Info.	Fitting Size	Hose Size
BL4118	Aluminium		# 8	# 6	





Female Springlock 90° - Beadlock					
	Part No.	Material	Fitting Info.	Fitting Size	Hose Size
	BL4121	Aluminium		# 6	# 6
	BL4122	Aluminium		# 8	# 8
	BL4123	Aluminium		# 10	# 10
	BL4124	Aluminium		# 12	# 12
Step Up					
	BL4127	Aluminium		# 10	# 12
Step Down					
	BL4128	Aluminium		# 8	# 6


Male Springlock Straight - Beadlock					
	Part No.	Material	Fitting Info.	Fitting Size	Hose Size
	BL4301	Aluminium		# 6	# 6
	BL4302	Aluminium		# 8	# 8
	BL4303	Aluminium		# 10	# 10
	BL4304	Aluminium		# 12	# 12
Step Up					
	BL4307	Aluminium		# 10	# 12


Male Springlock 45° - Beadlock					
	Part No.	Material	Fitting Info.	Fitting Size	Hose Size
	BL4312	Aluminium		# 8	# 8
	BL4313	Aluminium		# 10	# 10
	BL4314	Aluminium		# 12	# 12
Step Up					
	BL4317	Aluminium		# 10	# 12


Male Springlock 90° - Beadlock					
	Part No.	Material	Fitting Info.	Fitting Size	Hose Size
	BL4321	Aluminium		# 6	# 6
	BL4322	Aluminium		# 8	# 8
	BL4323	Aluminium		# 10	# 10
	BL4324	Aluminium		# 12	# 12
Step Up					
	BL4327	Aluminium		# 10	# 12



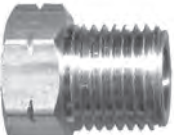

Quick Disconnect - Assembly					
	Part No.	Material	Fitting Info.	Fitting Size	Hose Size
	AF3906	Steel	5/8" - 18	# 6	# 6
	AF3901	Steel	7/8" - 14	# 10	# 10
	AF3902	Steel	5/8" - 18	# 6	# 6

Quick Disconnect Straight - Beadlock					
	Part No.	Material	Fitting Info.	Fitting Size	Hose Size
	BL1924-A	Aluminium	5/8" - 18	# 6	# 6
	BL1925-A	Aluminium	1 3/16" - 12	# 12	# 10

Quick Disconnect Straight					
	Part No.	Material	Fitting Info.	Fitting Size	Hose Size
	AF0660	Steel	5/8" - 18	# 6	# 6

Quick Disconnect Straight - Steel Beadlock					
	Part No.	Material	Fitting Info.	Fitting Size	Hose Size
	SB1926	Steel	5/8" - 18	# 6	# 6


Sight Glass					
	Part No.	Material	Fitting Info.	Fitting Size	Hose Size
	SB1927	Steel	5/8" - 18	# 6	# 6


Weld On Fittings						
	Part No.	Material	Fitting Info.	Fitting Size	Hose Size	
	Male Flare					
	AF4138	Aluminium	3/8"	# 6		
	AF4148	Aluminium	1/2"	# 8		
AF4158	Aluminium	5/8"	# 10			
	Male Insert O'ring					
	AF4007	Brass	5/8" - 18	# 6		
	AF4008	Brass	3/4" - 16	# 8		
	AF4009	Brass	7/8" - 14	# 10		
	AF4010	Brass	1 1/16" - 14	# 12		
	Male Insert O'ring					
	AF4337	Aluminium	9/16" - 18	# 5		
	AF4338	Aluminium	5/8" - 18	# 6		
	AF4348	Aluminium	3/4" - 16	# 8		
	AF4358	Aluminium	7/8" - 14	# 10		
	AF4363	Aluminium	1 1/16" - 14	# 12		
	Metric Captive O'ring					
	AF4201	Aluminium	M22 x 1.5			
	AF4359	Aluminium	M16 x 1.5		8.2mm Tube	
	AF4360	Aluminium	M22 x 1.5		12.95mm Tube	
	AF4361	Aluminium	M24 x 1.5		16mm Tube	


Weld On Service Valves - R134a					
	Part No.	Material	Fitting Info.	Fitting Size	Notes
	AF0018	Steel	Hi Side		
	AF0019	Steel	Low Side		
	AF0020	Aluminium	Low Side	1/2" Tube	
	AF0021	Aluminium	Low Side	5/8" Tube	


Weld On Fitting Tails Straight - A-O-C					
	Part No.	Material	Fitting Info.	Fitting Size	Hose Size
	AN6601	Steel		3/8 Tube	# 6
	AN6602	Steel		1/2 Tube	# 8
	AN6603	Steel		5/8 Tube	# 10
	AN6604	Steel		3/4 Tube	# 12
	AN6605	Steel		5/8 Tube	# 12










Weld On Fitting Tails Straight - Beadlock					
	Part No.	Material	Fitting Info.	Fitting Size	Hose Size
	BL6601	Aluminium		3/8" Tube	# 6
	BL6602	Aluminium		1/2" Tube	# 8
	BL6603	Aluminium		5/8" Tube	# 10
	BL6604	Aluminium		3/4" Tube	# 12
	BL6605	Aluminium		5/8" Tube	# 12





Weld On Fitting Tails Straight - Reduced Beadlock					
	Part No.	Material	Fitting Info.	Fitting Size	Hose Size
	RB6601	Aluminium		3/8" Tube	# 6
	RB6602	Aluminium		1/2" Tube	# 8
	RB6603	Aluminium		5/8" Tube	# 10
	RB6604	Aluminium		3/4" Tube	# 12
	RB6605	Aluminium		5/8" Tube	# 12



Weld On Fitting Tails Straight - Steel Beadlock					
	Part No.	Material	Fitting Info.	Fitting Size	Hose Size
	SB6601	Steel		3/8" Tube	# 6
	SB6602	Steel		1/2" Tube	# 8
	SB6603	Steel		5/8" Tube	# 10
	SB6604	Steel		3/4" Tube	# 12
	SB6605	Steel		5/8" Tube	# 12

Weld On Fitting Tails Straight - Steel Reduced Beadlock					
	Part No.	Material	Fitting Info.	Fitting Size	Hose Size
	SR6601	Steel		3/8" Tube	# 6
	SR6602	Steel		1/2" Tube	# 8
	SR6603	Steel		5/8" Tube	# 10
	SR6604	Steel		3/4" Tube	# 12

Weld On Fitting Tails 90° - Beadlock					
	Part No.	Material	Fitting Info.	Fitting Size	Hose Size
	BL6621	Aluminium		3/8" Tube	# 6
	BL6622	Aluminium		1/2" Tube	# 8




Weld On End Slots						
	Part No.	Material	Fitting Info.	Fitting Size	Hose Size	
	Male Flare					
	AF5138	Aluminium	5/8" - 18	# 6	7/8" Tube	
AF5148	Aluminium	3/4" - 16	# 8	7/8" Tube		
	Male Insert O'ring Condenser					
	AF5703	Aluminium	5/8" - 18	# 6	7/8" Tube	
	AF5704	Aluminium	3/4" - 16	# 8	7/8" Tube	
	AF5802	Aluminium	9/16" - 18	# 5	1" Tube	
	AF5803	Aluminium	5/8" - 18	# 6	1" Tube	
	AF5804	Aluminium	3/4" - 16	# 8	1" Tube	
	Male Insert O'ring Condenser					
	AF5713	Aluminium	5/8" - 18	# 6	7/8" Tube	
	AF5812	Aluminium	9/16" - 18	# 5	1" Tube	
	AF5813	Aluminium	5/8" - 18	# 6	1" Tube	
	AF5814	Aluminium	3/4" - 16	# 8	1" Tube	
	Fishtail Adaptors					
	AF1001	Aluminium				
	AF1002	Aluminium				
	AF1004	Aluminium				
	Switch Port					
	AF8006	Brass				
	Switch Port					
	AF8007	Aluminium				


Pad Fittings					
	Part No.	Material	Fitting Info.	Fitting Size	Hose Size
	Pad > Barb - Modine Condenser				
	AF0023	Aluminium			# 6
AF0022	Aluminium			# 8	# 8
	Pad > MIOR - Cooltemp Condenser				
	AF0076	Aluminium	5/8" - 18	# 6	
	AF0077	Aluminium	3/4" - 16	# 8	
	Pad > MIOR - Sanden SDB Compressor				
	AF0130	Aluminium	3/4" - 16	# 8	
	AF0120	Aluminium	7/8" - 14	# 10	
	Pad > MIOR - Sanden TRF / TR70 Compressor				
	AF1130	Aluminium	3/4" - 16	# 8	
	AF1140	Aluminium	7/8" - 14	# 10	
	Pad > MIOR - Denso R134a				
	AF9011	Aluminium	3/4" - 16	# 8	
	AF9012	Aluminium	7/8" - 14	# 10	
	Pad > MIOR - Delphi SP21 Compressor				
	CP2210	Aluminium	3/4" - 16	# 8	
	CP2211	Aluminium	7/8" - 14	# 10	
	Pad > Pad - R12 > R134a				
	AF9013	Aluminium			
	Pad > Pad - R134a > R12				
	AF9014	Aluminium			
	Pad > MIOR - Denso R12				
	AF9017	Aluminium	3/4" - 16	# 8	
	AF9018	Aluminium	7/8" - 14	# 10	


Pad Fittings					
	Part No.	Material	Fitting Info.	Fitting Size	Hose Size
	Pad > MIOR - Seiko Seiki Compressor				
	AFM694	Aluminium	3/4" - 16	# 8	
	AFM695	Aluminium	7/8" - 14	# 10	
	FIOR - FIOR - FIOR				
	AF1607	Steel		# 6 - # 6 - # 6	
	AF1606	Steel		# 10 - # 10 - # 10	

Charge Ports


Charge Ports					
	Part No.	Material	Fitting Info.	Fitting Size	Notes
	Sanden R134a				
	AF4001	Brass			Low Side
	Sanden R134a				
	AF4003	Brass			Hi Side
	Metric R134a				
	AF0002	Aluminium	M12 x 1.25		Hi Side
	Metric - 3/8" - 24 UNF				
	AF4011	Aluminium	M10 x 1.25		
	Metric Red Dot R134a				
	AF5816	Steel	M13 x 1.0		Low Side
	Metric Red Dot R134a				
	AF5817	Steel	M15 x 1.0		Hi Side

Charge Ports					
	Part No.	Material	Fitting Info.	Fitting Size	Notes
	Metric Red Dot R134a				
	AF5833	Aluminium	M10 x 1.25		Low Side
Seiko Seiki R134a					
	AF4002	Brass			Low Side
	AF4004	Brass			Hi Side
3/8 - 24 UNF R134a					
	AF4005	Brass			Low Side
	AF4000	Brass			Hi Side


Charge Port Adaptors - Jayair - R134a					
	Part No.	Material	Fitting Info.	Fitting Size	Notes
	High Side				
	AF6362	Aluminium	3/16" UNF		Bagged
	AF6362B	Aluminium	3/16" UNF		Each
	AF6362-10	Aluminium	3/16" UNF		Pkt. x 10
Low Side					
	AF6363	Steel	1/4" UNF		Bagged
	AF6363B	Steel	1/4" UNF		Each
	AF6363-10	Steel	1/4" UNF		Pkt. x 10
High Side					
	AF6364	Aluminium	1/4" UNF		Bagged
	AF6364B	Aluminium	1/4" UNF		Each
	AF6364-10	Aluminium	1/4" UNF		Pkt. x 10

Charge Port Adaptor 90° - R134a					
	Part No.	Material	Fitting Info.	Fitting Size	Notes
	High Side				
	AF9907	Steel	3/16" UNF		
	AF9909	Steel	1/4" UNF		

Charge Port Adaptor 90° - R134a

	Part No.	Material	Fitting Info.	Fitting Size	Notes
	Low Side				
	AF9908	Steel	1/4" UNF		


Service Valve Cap - R12

	Part No.	Type	Material	Notes
	CP9577	1/4"	Plastic	Pkt.10
	CP9575	1/4"	Brass	Pkt.10
	CP4024	3/16"	Plastic	Pkt.10

Service Valve Cap - R134a

	Part No.	Type	Material	Notes
	CP0192	Low, OEM type	Plastic	Pkt. 5
	CP0193	High, OEM type	Plastic	Pkt. 5
	CP0139	Low, Eaton	Plastic	Pkt. 5
	CP0140	High, Eaton	Plastic	Pkt. 5
	CP0294	Low, OEM type J.R.A	Plastic	Pkt. 5
	CP0196	High, OEM type J.R.A	Plastic	Pkt. 5
	CP4051	Low	Plastic	Pkt.10
	CP4050	High	Plastic	Pkt.10
	CP4053	Low, Metric thread	Plastic	Pkt.10
	CP4052	High, Metric thread	Plastic	Pkt.10
	CP4054	Low, Denso system	Plastic	Each
	CP4055	High, Denso system	Plastic	Each

York Stem Cover



	Part No.	Material	Notes
	CP9576	Plastic	Each


Valve Cores			
	Part No.	Type	Notes
	CP9578	Standard R12 / R134a	Pkt.10
	CP9600	Standard R12 / R134a	Pkt.1000
	CP9580	Metric High Flow. Suits Ford EF & Japanese imports	Pkt.10
	CP9590	Large Bore	Each
	CP9760	Schrader High Flow, European Imports	Each
	CP0768	13mm Metric	Each
	CP0769	16mm Metric	Each
	CP0094	High Flow M8	Pkt. 5
	CP0093	Large Bore, High Flow	Pkt. 5
	CP0190	Bleed Line, low tension orange seal	Pkt. 5
	CP0096	High Flow M8, Peugeot, Volvo	Pkt. 5
	CP0191	Standrad R12 / R134a Renault	Pkt. 5
	CP0095	High Flow M10	Pkt. 5


Blanking Plugs				
	Part No.	Type	Material	Notes
	CP9040	Seals R12 service ports, Sanden		Each
	CP9050	Seals R12 service ports, Seiko Seiki		Each
	CP9055	Seals R12 service ports, Unicla		Each
	CP9905	Seals R12 service ports, 3/16"		Each
	CP9906	Seals R12 service ports, 1/4"		Each
	With O'ring			
	CP5234	Suits CCI compressor		Each


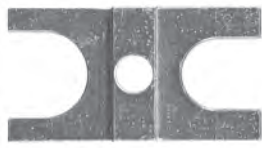
Nuts					
	Part No.	Material	Fitting Info.	Fitting Size	Notes
	Female Flare				
	AL0002	Steel	5/8" - 18	# 6	
	AL0003				3/8" Tube
	AL0007	Steel	7/8" - 14	# 10	
	Female Flare - ATCO AF Series				
	AL7002	Steel	5/8" - 18	# 6	
	AL7005	Steel	3/4" - 16	# 8	
	AL7007	Steel	7/8" - 14	# 10	
	AL7009	Steel	1 1/16" - 14	# 12	
	Male Flare				
	AL0001	Steel	5/8" - 18	# 6	
	AL0004	Steel	3/4" - 16	# 8	
	Female O'ring				
	AL0016	Steel	9/16" - 18	# 5	
	AL0008	Steel	5/8" - 18	# 6	
	AL0009A	Steel	3/4"-16	#8	
	AL0010	Steel	7/8" - 14	# 10	
	AL0014	Steel	1 1/16" - 14	#12	
	Male O'ring				
	AL0015	Steel	9/16" - 18	# 5	
	AL0011	Steel	5/8" - 18	# 6	
	AL0017	Steel	5/8" - 18	# 6	3/8" Tube
	AL0012	Steel	3/4" - 16	# 8	
	AL0018	Steel	3/4" - 16	# 8	1/2" Tube
	AL0013	Steel	7/8" - 14	# 10	
	AL0019	Steel	7/8" - 14	# 10	5/8" Tube





Switch Adaptors					
	Part No.	Material	Fitting Info.	Fitting Size	Notes
	Mercedes Temp Switch				
	AF4006	Brass			
	Pressure Switch				
	AF8005	Brass			



Fitting Adaptors MIOR > MF					
	Part No.	Material	Fitting Info.	Fitting Size	Notes
	AF6239	Aluminium		# 5	
	AF6240	Aluminium		# 6	
	AF6242	Aluminium		# 8	
	AF6243	Aluminium		# 10	
	AF6244	Aluminium		# 12	

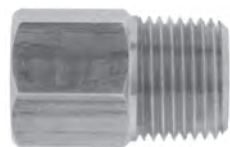
Copper Sealing Washer					
	Part No.	Material	Fitting Info.	Fitting Size	Notes
	AF4326	Copper		# 6	Each
	AF4328	Copper		# 8	Each
	AF4330	Copper		# 10	Each
	AF4332	Copper		# 12	Each
	AF4426	Copper		# 6	Pkt. 5
	AF4428	Copper		# 8	Pkt. 5
	AF4430	Copper		# 10	Pkt. 5
	AF4432	Copper		# 12	Pkt. 5

Compressor Conversion Kits					
	Part No.	Material	Fitting Info.	Fitting Size	Notes
	Lancer CE Seiko Seiki				
	AF9574				
Falcon EA Sanden					
	AF9004	Steel			






Gas Thread - Tapered

Gas Thread Tapered - Straight				
	Part No.	Material	Fitting Info.	Notes
	Male SAE Flare > Male Taper NPT			
	AF1556	Brass	1/4" MSAE > 1/4" MNPT	Pkt. 5
Male ACME > Male Taper NPT				
	AF1558	Brass	1/2" MACME > 1/4" MNPT	Each

Gas Thread Tapered - 90°				
	Part No.	Material	Fitting Info.	Notes
	Male SAE Flare > Male Taper NPT			
	AF1557	Brass	1/4" MSAE > 1/8" MNPT	
Male ACME > Male Taper NPT				
	AF1559	Brass	1/2" MACME > 1/4" MNPT	

Reducing Bush				
	Part No.	Material	Fitting Info.	Notes
	Male Taper NPT > Female Taper NPT			
	AF1560	Brass	3/8" MNPT > 1/4" FNPT	



Copper Tails					
	Part No.	Material	Fitting Info.	Fitting Size	Notes
	Male O'ring				
	CT0601S	Copper	Short Pilot	# 6	
	CT0801	Copper		# 8	
	CT0801S	Copper	Short Pilot	# 8	
	CT1001	Copper		# 10	
	CT1001S	Copper	Short Pilot	# 10	
	Male Insert O'ring				
	CT0602	Copper		# 6	
	CT0802	Copper		# 8	
	CT1002	Copper		# 10	
	Female Flare				
	CT0603	Copper		# 6	
	CT0803	Copper		# 8	
	CT1003	Copper		# 10	
	Bulge				
	CT0604	Copper		# 6	
	CT0804	Copper		# 8	
	CT1004	Copper		# 10	
	Bulge (Step)				
	CT0605	Copper		# 6	
	CT0805	Copper		# 8	
	CT1005	Copper		# 10	

HA2540
(12V - Rear Exit 5/8" pipes)
HA2542
(12V - Floor Exit 5/8" pipes)
HA2543
(24V - Rear Exit 3/4" pipes)

R-254 Auxiliary Heater Assembly



The R-254 single fan auxiliary heater is the most versatile and maintenance free universal heater assembly available. Their compact size, simple plumbing and high performance output makes them ideal for any application.

BTU's:
16,000
Air Flow:
150 CFM (255 m3/h)
Width: 241mm
Depth: 184mm
Height: 163mm
Weight: 3kg



HA2550
(12V - Rear Exit 3/4" pipes)

R-255 Auxiliary Heater Assembly



The R-255 has all the performance and versatility benefits of the R-254 unit, with the additional benefit of a dual fan for greater airflow and application into larger cabs.

BTU's:
30,000
Air Flow:
280 CFM (475 m3/h)
Width: 407mm
Depth: 184mm
Height: 163mm
Weight: 5.5kg



HA2701
(12V)
HA2700
(24V)

R-270 Auxiliary Heater Assembly



An extremely compact heater, the R-270 series offers a lightweight and high performance design. Various air flow configurations are available using optional "snap in" outlets.

BTU's:
15,000
Air Flow:
140 CFM (237 m3/h)
Width: 273mm
Depth: 199mm
Height: 114mm
Weight: 3kg



LV3157 - Louvre Outlet
LV4532 - Duct Outlet
SP2700 - Installation kit

HA2722
(12V)

R-273 Auxiliary Heater Assembly



This single blower version offers a more size efficient unit, with single blower and compact casing. Ideal for fitment to cabs with limited space.

BTU's:
14,000
Air Flow:
129 CFM (220 m3/h)
Width: 255mm
Depth: 179mm
Height: 114mm
Weight: 1.35kg



LV2722 - 4 Duct Outlet

HA2020
(12V)
HA2024
(24V)

R-2020 Auxiliary Heater Assembly



Ideal for marine, industrial and heavy duty commercial vehicle applications.

BTU's:
17,800
Air Flow:
165 CFM (280 m3/h)
Width: 519mm
Depth: 203mm
Height: 130mm
Weight: 4.85kg



Heater Assemblies Universal

HA2702 Tenere H Style 12V 2 Speed

BTU's:
14,600
Air Flow:
109 CFM (185 m3/h)

Width: 200mm
Depth: 214mm
Height: 112mm
Outlet Fittings: 16mm
Duct Outlet: 45mm



HA2703 Bali D Style 12V 2 Speed

BTU's:
8,200
Air Flow:
76 CFM (129 m3/h)

Width: 200mm
Depth: 214mm
Height: 112mm
Outlet Fittings: 16mm
Duct Outlet: 45mm



HA2704 Bali G Style 12V 2 Speed

BTU's:
8,200
Air Flow:
76 CFM (129 m3/h)

Width: 200mm
Depth: 187mm
Height: 112mm
Outlet Fittings: 16mm



HA2705 Tenere D Style 12V 3 Speed

BTU's:
14,600
Air Flow:
109 CFM (185 m3/h)

Width: 258mm
Depth: 202mm
Height: 115mm
Outlet Fittings: 16mm
Duct Outlet: 60mm



HA2707 Sahara D Style 12V 3 Speed

BTU's:
29,300
Air Flow:
188 CFM (319 m3/h)

Width: 376mm
Depth: 250mm
Height: 115mm
Outlet Fittings: 16mm
Duct Outlet: 60mm



HA2708 Sahara D Style 24V 3 Speed

BTU's:
29,300
Air Flow:
188 CFM (319 m3/h)

Width: 376mm
Depth: 250mm
Height: 115mm
Outlet Fittings: 16mm
Duct Outlet: 60mm



Heater Assemblies Electric

HA9000 Electric PTC Ceramic Heater 12V

Watts:
300W
Air Flow:
70 CFM (118 m3/h)

Width: 200mm
Depth: 120mm
Height: 170mm



HA9001 Electric PTC Ceramic Heater 24V

Watts:
300W
Air Flow:
70 CFM (118 m3/h)

Width: 200mm
Depth: 120mm
Height: 170mm



Make & Model	Year	Part No.	Page No.
Alfa Romeo			
33	85-92	HC0141	585
164	87-98	HC0140	585
Audi			
80, 2.0, 2.3, 2.6, 2.8Lt	92-00	HC0142	585
A3	9/96-7/98	HC0057	585
A4	11/94-00	HC0100	585
BMW			
3 Series, E30	10/82-91	HC0062	585
5 Series, E34	93-95	HC0143	585
Citroen			
Berlingo	7/96>	HC0058	585
C2	9/03>	HC0069	586
C3	4/02>	HC0069	586
Xantia	3/93-5/02	HC0058	585
Xsara	7/97>	HC0058	585
Daewoo			
Cielo, 1.5Lt	11/95-4/98	HC0161	586
Lanos	95-97	HC0070	586
Leganza	97-03	HC0075	586
Matiz	99-04	HC0074	586
Nubira I & II	6/97-11/03	HC0075	586
Ford			
Escape	12/00	HC0067	586
Fairlane ZL	88>	HC0003	586
Fairlane	88-02	HC0014	586
Falcon BA	02>	HC0080	586
Falcon EA, EB, ED, EF, EL, AU	88-02	HC0014	586
Falcon XG, AU Ute	93-02	HC0014	586
Falcon XF	88>	HC0003	586
Festiva	94-01	HC0081	587
Ka	12/99>	HC0066	587
Laser KC Wagon	>85	HC0026	587
Laser KC Hatch	>11/85	HC0026	587
Laser KC, KE, 4 door	81-90	HC0026	587
Laser KA, KB	81-85	HC0018	587
Mondeo	95-99	HC0068	587
Telstar AT	87-91	HC0028	587
Territory	5/04>	HC0080	587
Transit, 2.5Lt Diesel, without A/C	4/94-4/96	HC0162	587

Make & Model	Year	Part No.	Page No.
Transit, 2.5Lt Diesel, with A/C	4/94-4/96	HC0163	587
Holden			
Barina XC, 1.8Lt, Z18XE	4/01-12/02	HC0144	587
Commodore VE	06>	HC2720	588
Commodore VT, VX, VY, VZ	97-07	HC0089	588
Commodore VU Ute	00-02	HC0089	588
Commodore VN, VP, VR, VS	88-99	HC0025	588
Commodore VG Ute	90-91	HC0025	588
Commodore VK, VL	84-90	HC0005	588
Commodore VB, VC, VH	78-84	HC0001	588
Jackaroo	94>	HC0091	588
Kingswood HQ, HX, HZ with OE A/C	71-80	HC0002	588
Rodeo	94>	HC0091	588
Statesman WM	8/06>	HC2720	588
Statesman WH, WK	99-04	HC0089	588
Statesman, Caprice VQ	90-94	HC0025	588
Vectra	10/95-6/03	HC0060	588
Hyundai			
Excel	9/95>	HC0046	588
Excel, X3	>9/95	HC0045	589
i30	07>	HC0125	589
Lantra	9/95>	HC0046	588
Sonata	6/95>	HC0048	589
Lexus			
LX570	4/08>	HC0106	589
RX450H	6/09>	HC0130	589
Mazda			
121 DB	90-93	HC0039	589
RX8	03>	HC0090	589
Tribute	12/00>	HC0067	589
Mercedes Benz			
W210 E Class	94-02	HC0146	589
W202 C Class	92-00	HC0146	589
W126 S Class	86-92	HC0148	590
W129 500SL	5/92-6/98	HC0148	590
Mitsubishi			
Lancer CC, CE	92-03	HC0050	590
Lancer CC, CE	92-03	OR9220	590



Make & Model	Year	Part No.	Page No.
Magna TE, TF, TH, TJ	2/96-6/03	HC0050	590
Magna TE, TF, TH, TJ	2/96-6/03	OR9220	590
Magna TR, TS	4/91-3/96	HC0059	590
Magna TM, TN, TP	7/85-7/89	HC0007	590
Pajero NM, NP	2/00>	HC0079	590
Verada KE, KF, KH, KJ	2/96-6/03	HC0050	590
Verada KE, KF, KH, KJ	2/96-6/03	OR9220	590
Verada KR, KS	4/91-3/96	HC0059	590
Heater Core Outlet Pipe. Suits HC0050	92-03	HA7007	590
Heater Core Inlet Pipe Suits HC0050	92-03	HA7008	590
Nissan			
Bluebird Series I & II	>1/85	HC0009	591
Peugeot			
205	83-97	HC0149	591
306	2/93-9/02	HC0058	591
309	10/85-4/89	HC0149	591
505	9/87-89	HC0151	591
Range Rover			
Range Rover	72-88	HC0029	591
Red Dot			
Red Dot R-4010, R-5040		HC3500	591
Red Dot R-5045, R-5075		HC3500	591
Red Dot R-8500		HC0830	591
Red Dot R-9750		HC1000	591
Red Dot R-9777		HC1560	591
Red Dot R-9800		HC1870	592
Renault			
Clio Series I & II	5/01-7/06	HC0154	592
Saab			
93 2.0Lt	6/98-2/01	HC0105	592
Seat			
Cordoba	9/93-8/02	HC0057	592
Ibiza	2/93-11/01	HC0057	592
Toledo	2/91-10/98	HC0057	592
Skoda			
Octavia	10/96-8/98	HC0057	592
Smart			
Fortwo	1/04>	HC0166	592

Make & Model	Year	Part No.	Page No.
Toyota			
Aurion GSV40R	06>	HC0130	592
Avalon MCX10R	00>	HC0063	592
Avensis Verso ACM20R	12/01>	HC0082	593
Camry ACV40R	06>	HC0130	592
Camry MCV20, SXV20	97>	HC0063	592
Camry SDV10	11/92-7/97	HC0034	593
Camry SV20, SV21, SV22	86-91	HC0010	593
Corolla ZZE122R	12/01-3/04	HC0095	593
Corolla AE101, AE102	7/94-12/99	HC0036	593
Corolla AE80, AE82	1/85-12/88	HC0011	593
Corona ST141	83-87	HC0021	593
Echo NCP10R, NCP12R, NCP13R	8/99-8/05	HC0093	593
Hilux	88-8/97	HC0083	593
Kluger MCU28R	11/03-7/07	HC0096	593
Landcruiser 200 Series	11/07>	HC0106	594
Landcruiser 100 Series	98>	HC0087	594
Landcruiser 80 Series	96-98	HC0084	594
Prado VZJ95R, RZJ95R	4/96>	HC0065	594
Rav4 SXA10R, SXA11R	94-00	HC0064	594
Starlet EP91R	1/96-8/99	HC0064	594
Tarago ACR50R, GSR50R	3/06>	HC0106	594
Yaris NCP90R	05>	HC0097	594
O'ring: Suits alloy heater cores		OR3140	594
Volkswagen			
Caddy	11/95-6/03	HC0057	594
Golf I-IV	4/84-10/03	HC0057	594
Passat	4/88-5/97	HC0057	595
Polo	10/94-9/01	HC0057	595
Transporter	9/90-6/03	HC0061	595
Volvo			
850	91-98	HC0105	595
C70	97-11/04	HC0105	595

Alfa Romeo/Audi

HC0141 Alfa Romeo 33, 85-92

60504449, 532125

Material: Alloy/Plastic
Core
Height: 157mm
Width: 166mm
Thickness: 42mm
Header Top
Length: 155mm
Thickness: 52mm
Header Bottom
Length: 155mm
Thickness: 52mm



HC0140 Alfa Romeo 164, 87-98

60805074

Material: Alloy/Plastic
Core
Height: 280mm
Width: 156mm
Thickness: 48mm
Header Top
Length: 156mm
Thickness: 55mm
Header Bottom
Length: 156mm
Thickness: 55mm



HC0142 Audi 80, 2.0, 2.3, 2.6, 2.8Lt, 92-00

894819031A

Material: Alloy/Plastic
Core
Height: 234mm
Width: 156mm
Thickness: 42mm
Header Top
Length: 160mm
Thickness: 50mm
Header Bottom
Length: 160mm
Thickness: 50mm



HC0057 Audi A3, 9/96-7/98

Material: Alloy/Plastic
Core
Height: 235mm
Width: 155mm
Thickness: 40mm
Header Top
Length: 155mm
Thickness: 48mm
Header Bottom
Length: 155mm
Thickness: 48mm



HC0100 Audi A4, 11/94-00

802819030, 802819031A

Material: Alloy/Plastic
Core
Height: 234mm
Width: 158mm
Thickness: 42mm
Header Top
Length: 160mm
Thickness: 50mm
Header Bottom
Length: 155mm
Thickness: 49mm



BMW/Citroen/ Daewoo

HC0062 BMW 3 Series, E30, 10/82-91

64118391363

Material: Alloy/Plastic
Core
Height: 223mm
Width: 150mm
Thickness: 45mm
Header Top
Length: 160mm
Thickness: 60mm
Header Bottom
Length: 160mm
Thickness: 60mm



HC0143 BMW 5 Series, E34, 93-95

64111384725

Material: Alloy/Plastic
Core
Height: 184mm
Width: 276mm
Thickness: 42mm
Header Top
Length: 276mm
Thickness: 50mm
Header Bottom
Length: 276mm
Thickness: 50mm



HC0058 Citroen Berlingo, 7/96> Citroen Xantia, 3/93-5/02 Citroen Xsara, 7/97>

644880

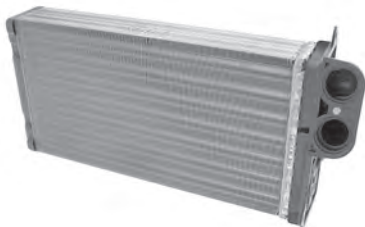
Material: Alloy/Plastic
Core
Height: 283mm
Width: 155mm
Thickness: 40mm
Header Top
Length: 155mm
Thickness: 48mm
Header Bottom
Length: 155mm
Thickness: 48mm



HC0069
Citroen C2, 9/03>
Citroen C3, 4/02>

6448K9

Material: Alloy/Plastic
Core
Height: 250mm
Width: 139mm
Thickness: 42mm
Header Top
Length: 140mm
Thickness: 50mm
Header Bottom
Length: 139mm
Thickness: 49mm



HC0161
Daewoo Cielo, 1.5Lt, 11/95-4/98

96231949

Material: Alloy
Core
Height: 160mm
Width: 185mm
Thickness: 23mm
Header Top
Length: 185mm
Thickness: 32mm
Header Bottom
Length: 185mm
Thickness: 32mm



HC0070
Daewoo Lanos, 95-97

96331063

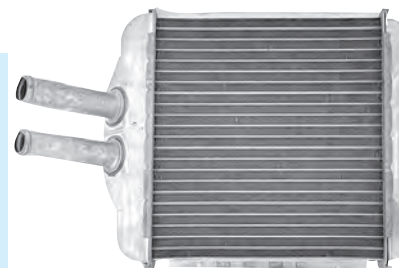
Material: Alloy
Core
Height: 167mm
Width: 215mm
Thickness: 24mm
Header Top
Length: 210mm
Thickness: 40mm
Header Bottom
Length: 210mm
Thickness: 40mm



HC0075
Daewoo Leganza
Daewoo Nubira I & II, 6/97-11/03

96207413, 97190674

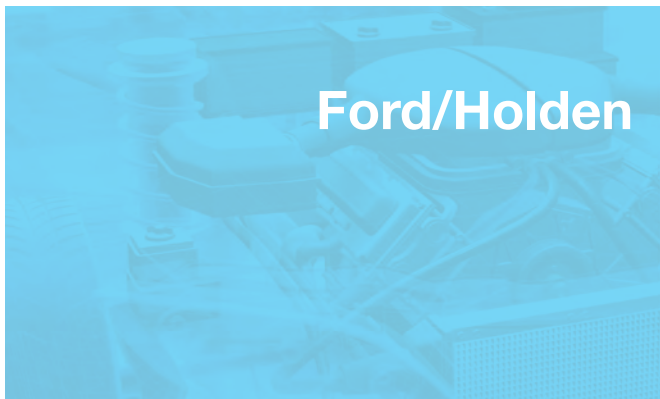
Material: Alloy
Core
Height: 167mm
Width: 200mm
Thickness: 24mm
Header Top
Length: 193mm
Thickness: 40mm
Header Bottom
Length: 193mm
Thickness: 40mm



HC0074
Daewoo Matiz

96314858

Material: Alloy
Core
Height: 150mm
Width: 180mm
Thickness: 24mm
Header Top
Length: 180mm
Thickness: 40mm
Header Bottom
Length: 180mm
Thickness: 40mm



HC0067
Ford Escape, 12/00>

EC0161A08

Material: Copper/Brass
Core
Height: 145mm
Width: 194mm
Thickness: 45mm
Header Top
Length: 197mm
Thickness: 50mm
Header Bottom
Length: 194mm
Thickness: 50mm



HC0080
Ford Falcon BA, 02>

BA18B539A

Material: Alloy
Core
Height: 250mm
Width: 128mm
Thickness: 36mm
Header Top
Length: 137mm
Thickness: 44mm
Header Bottom
Length: 137mm
Thickness: 44mm



HC0014
Ford Falcon EA, EB, ED, EF, EL, AU
Ford Falcon XG, AU Ute
Ford Fairlane, 88-02

EC18B539A

Material: Copper/Brass
Core
Height: 140mm
Width: 160mm
Thickness: 47mm
Header Top
Length: 160mm
Thickness: 58mm
Header Bottom
Length: 160mm
Thickness: 58mm



HC0003
Ford Falcon XF, 88>
Ford Fairlane ZL, 88>

XF18B539A

Material: Copper/Brass
Core
Height: 140mm
Width: 160mm
Thickness: 47mm
Header Top
Length: 160mm
Thickness: 58mm
Header Bottom
Length: 160mm
Thickness: 58mm

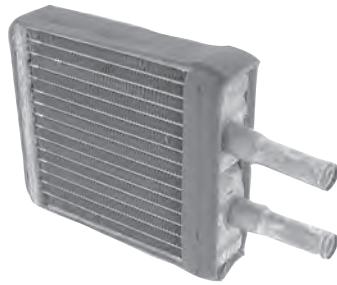




HC0081
Ford Festiva, 94-01

MDX9061A10

Material: Copper/Brass Core
Height: 140mm
Width: 145mm
Thickness: 30mm
Header Top
Length: 145mm
Thickness: 44mm
Header Bottom
Length: 145mm
Thickness: 44mm



HC0066
Ford Ka, 12/99>

96FW18B539AD

Material: Alloy Core
Height: 243mm
Width: 208mm
Thickness: 27mm
Header Top
Length: 203mm
Thickness: 27mm
Header Bottom
Length: 203mm
Thickness: 27mm



HC0026
Ford Laser KC Wagon
Ford Laser KC Hatch, >11/85
Ford Laser KC, KE, 4 door

B09261A10

Material: Copper/Brass Core
Height: 143mm
Width: 158mm
Thickness: 48mm
Header Top
Length: 158mm
Thickness: 60mm
Header Bottom
Length: 158mm
Thickness: 60mm



HC0018
Ford Laser KA, KB

B00176405

Material: Copper/Brass Core
Height: 140mm
Width: 160mm
Thickness: 48mm
Header Top
Length: 160mm
Thickness: 60mm
Header Bottom
Length: 160mm
Thickness: 60mm



HC0068
Ford Mondeo, 95-99

93BW 18476AC

Material: Alloy Core
Height: 193mm
Width: 150mm
Thickness: 50mm
Header Top
Length: 143mm
Thickness: 48mm
Header Bottom
Length: 143mm
Thickness: 48mm



HC0028
Ford Telstar AT

Material: Copper/Brass Core
Height: 175mm
Width: 165mm
Thickness: 32mm
Header Top
Length: 160mm
Thickness: 40mm
Header Bottom
Length: 160mm
Thickness: 40mm



HC0080
Ford Territory, 5/04>

BA18B539A

Material: Alloy Core
Height: 250mm
Width: 128mm
Thickness: 36mm
Header Top
Length: 137mm
Thickness: 44mm
Header Bottom
Length: 137mm
Thickness: 44mm



HC0162
Ford Transit, 2.5Lt Diesel, 4/94-4/96
without A/C

4042575, 812277, 812332

Material: Alloy Core
Height: 247mm
Width: 146mm
Thickness: 42mm
Header Top
Length: 150mm
Thickness: 50mm
Header Bottom
Length: 150mm
Thickness: 50mm



HC0163
Ford Transit, 2.5Lt Diesel, 4/94-4/96
with A/C

4166487

Material: Alloy Core
Height: 247mm
Width: 146mm
Thickness: 48mm
Header Top
Length: 150mm
Thickness: 55mm
Header Bottom
Length: 150mm
Thickness: 55mm



HC0144
Holden Barina XC, 1.8Lt, Z18XE, 4/01-12/02

1618222, 9196140

Material: Alloy Core
Height: 171mm
Width: 167mm
Thickness: 42mm
Header Top
Length: 168mm
Thickness: 50mm
Header Bottom
Length: 168mm
Thickness: 50mm



HC2720
Holden Commodore VE
Holden Statesman WM, 8/06>

92192307


Material: Alloy Core
Height: 295mm
Width: 135mm
Thickness: 25mm
Header Top
Length: 135mm
Thickness: 30mm
Header Bottom
Length: 135mm
Thickness: 30mm



HC0089
Holden Commodore VT, VX, VY, VZ
Holden Commodore VU Ute
Holden Statesman WH, WK

92206366


Material: Copper/Brass Core
Height: 200mm
Width: 169mm
Thickness: 35mm
Header Top
Length: 169mm
Thickness: 45mm
Header Bottom
Length: 169mm
Thickness: 45mm



HC0025
Holden Commodore VN, VP, VR, VS
Holden Commodore VG Ute
Holden Statesman, Caprice VQ

VS18009


Material: Copper/Brass Core
Height: 201mm
Width: 148mm
Thickness: 32mm
Header Top
Length: 140mm
Thickness: 42mm
Header Bottom
Length: 140mm
Thickness: 42mm



HC0005
Holden Commodore VK, VL

VS16879

Material: Copper/Brass Core
Height: 170mm
Width: 145mm
Thickness: 32mm
Header Top
Length: 142mm
Thickness: 42mm
Header Bottom
Length: 142mm
Thickness: 42mm



HC0001
Holden Commodore VB, VC, VH

92000147


Material: Copper/Brass Core
Height: 240mm
Width: 147mm
Thickness: 32mm
Header Top
Length: 140mm
Thickness: 40mm
Header Bottom
Length: 140mm
Thickness: 40mm



HC0091
Holden Jackaroo, 94>
Holden Rodeo, 94>

8943 2864 02


Material: Alloy/Plastic Core
Height: 160mm
Width: 160mm
Thickness: 45mm
Header Top
Length: 165mm
Thickness: 55mm
Header Bottom
Length: 168mm
Thickness: 55mm



HC0002
Holden Kingswood HQ, HX, HZ
with OE A/C

9939196

Material: Copper/Brass Core
Height: 200mm
Width: 147mm
Thickness: 32mm
Header Top
Length: 142mm
Thickness: 40mm
Header Bottom
Length: 142mm
Thickness: 40mm



HC0060
Holden Vectra, 10/95-6/03

1618049, 1618110, 90512200

Material: Alloy/Plastic Core
Height: 215mm
Width: 180mm
Thickness: 40mm
Header Top
Length: 180mm
Thickness: 52mm




Hyundai/Lexus



HC0046
Hyundai Excel, Lantra, 9/95>

9722122001

Material: Alloy Core
Height: 165mm
Width: 154mm
Thickness: 40mm
Header Top
Length: 145mm
Thickness: 48mm
Header Bottom
Length: 145mm
Thickness: 48mm





HC0045
Hyundai Excel, X3, >9/95

9722122000

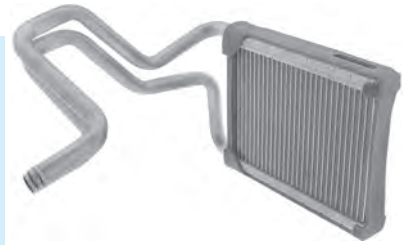
Material: Alloy Core
Height: 170mm
Width: 167mm
Thickness: 26mm
Header Top
Length: 167mm
Thickness: 40mm
Header Bottom
Length: 167mm
Thickness: 40mm



HC0125
Hyundai i30, 07>

971381H500

Material: Alloy Core
Height: 150mm
Width: 215mm
Thickness: 25mm
Header Top
Length: 220mm
Thickness: 34mm
Header Bottom
Length: 220mm
Thickness: 34mm



HC0048
Hyundai Sonata, 6/95>

9712333901

Material: Alloy Core
Height: 195mm
Width: 150mm
Thickness: 42mm
Header Top
Length: 145mm
Thickness: 50mm
Header Bottom
Length: 145mm
Thickness: 50mm



HC0106
Lexus LX570, 4/08>

8710738300, 91442210

Material: Alloy Core
Height: 165mm
Width: 200mm
Thickness: 20mm



HC0130
Lexus RX450H, 6/09>

8710733120

Material: Alloy Core
Height: 130mm
Width: 210mm
Thickness: 26mm



HC0039
Mazda 121 DB, 90-93

Material: Copper/Brass Core
Height: 145mm
Width: 185mm
Thickness: 28mm
Header Top
Length: 185mm
Thickness: 40mm
Header Bottom
Length: 185mm
Thickness: 40mm



HC0090
Mazda RX8, 03>

F15161A10

Material: Alloy Core
Height: 95mm
Width: 281mm
Thickness: 21mm
Header Top
Length: 182mm
Thickness: 26mm
Header Bottom
Length: 182mm
Thickness: 26mm



HC0067
Mazda Tribute, 12/00>

EC0161A08

Material: Copper/Brass Core
Height: 145mm
Width: 194mm
Thickness: 45mm
Header Top
Length: 197mm
Thickness: 50mm
Header Bottom
Length: 194mm
Thickness: 50mm



HC0146
Mercedes Benz W210 E Class, 94-02
Mercedes Benz W202 C Class, 92-00

2208300261


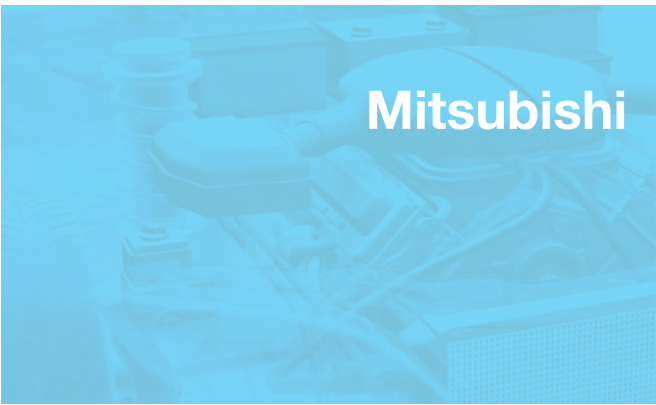
Material: Alloy/Plastic Core
Height: 239mm
Width: 189mm
Thickness: 40mm
Header Top
Length: 196mm
Thickness: 46mm
Header Bottom
Length: 190mm
Thickness: 46mm



HC0148
 Mercedes Benz W126 S Class, 86-92
 Mercedes Benz W129 500SL, 5/92-6/98

28353101

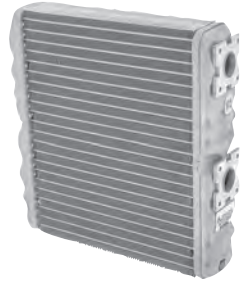
Material: Alloy/Plastic Core
 Height: 210mm
 Width: 216mm
 Thickness: 50mm
Header Top
 Length: 216mm
 Thickness: 55mm
Header Bottom
 Length: 216mm
 Thickness: 55mm

HC0050
 Mitsubishi Magna TE, TF, TH, TJ, 2/96-6/03
 Mitsubishi Verada KE, KF, KH, KJ, 2/96-6/03
 Mitsubishi Lancer CC, CE

AW 349219

Material: Alloy Core
 Height: 153mm
 Width: 195mm
 Thickness: 35mm
Header Top
 Length: 193mm
 Thickness: 43mm
Header Bottom
 Length: 193mm
 Thickness: 43mm



HA7007
 Heater Core Outlet Pipe
 Suits HC0050

AW349218



HA7008
 Heater Core Inlet Pipe
 Suits HC0050




OR9220
 Mitsubishi Magna TE, TF, TH, TJ, 2/96-6/03
 Mitsubishi Verada KE, KF, KH, KJ, 2/96-6/03
 Mitsubishi Lancer CC, CE

O'ring/Seal



HC0059
 Mitsubishi Magna TR, TS, 4/91-3/96
 Mitsubishi Verada KR, KS, 4/91-3/96


Material: Copper/Brass Core
 Height: 204mm
 Width: 167mm
 Thickness: 32mm
Header Top
 Length: 160mm
 Thickness: 42mm
Header Bottom
 Length: 160mm
 Thickness: 42mm



HC0007
 Mitsubishi Magna TM, TN, TP, 7/85-7/89

AW308788


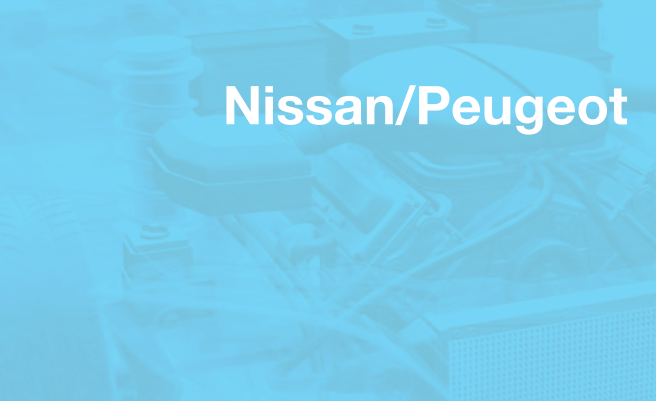
Material: Copper/Brass Core
 Height: 185mm
 Width: 163mm
 Thickness: 30mm
Header Top
 Length: 160mm
 Thickness: 40mm
Header Bottom
 Length: 160mm
 Thickness: 40mm



HC0079
 Mitsubishi Pajero NM, NP, 2/00>

MR500659

Material: Alloy Core
 Height: 170mm
 Width: 280mm
 Thickness: 26mm

HC0009

Nissan Bluebird Series I & II, >1/85

27115V9625

Material: Copper/Brass Core

Height: 160mm
Width: 160mm
Thickness: 50mm
Header Top
Length: 160mm
Thickness: 60mm
Header Bottom
Length: 160mm
Thickness: 60mm



HC0149

Peugeot 205, 83-97
Peugeot 309, 10/85-4/89

644851, 6448G2

Material: Alloy/Plastic Core

Height: 234mm
Width: 138mm
Thickness: 42mm
Header Top
Length: 140mm
Thickness: 46mm
Header Bottom
Length: 140mm
Thickness: 46mm



HC0058

Peugeot 306, 2/93-9/02

644880

Material: Alloy/Plastic Core

Height: 283mm
Width: 155mm
Thickness: 40mm
Header Top
Length: 155mm
Thickness: 48mm
Header Bottom
Length: 155mm
Thickness: 48mm



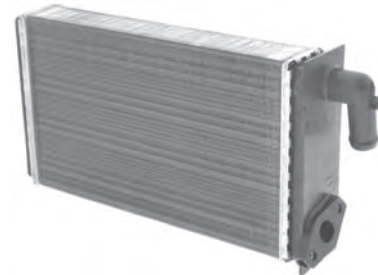
HC0151

Peugeot 505, 9/87-89

644854

Material: Alloy/Plastic Core

Height: 250mm
Width: 156mm
Thickness: 42mm
Header Top
Length: 160mm
Thickness: 46mm
Header Bottom
Length: 160mm
Thickness: 46mm



Range Rover/Red Dot

HC0029

Range Rover, 72-88

R606923

Material: Copper/Brass Core

Height: 267mm
Width: 140mm
Thickness: 48mm
Header Top
Length: 143mm
Thickness: 58mm
Header Bottom
Length: 143mm
Thickness: 58mm



HC3500

Red Dot R-4010, R-5040
Red Dot R-5045, R-5075

Material: Copper/Brass Core

Height: 381mm
Width: 204mm
Thickness: 48mm



HC0830

Red Dot R-8500

Material: Copper/Brass Core

Height: 400mm
Width: 127mm
Thickness: 75mm

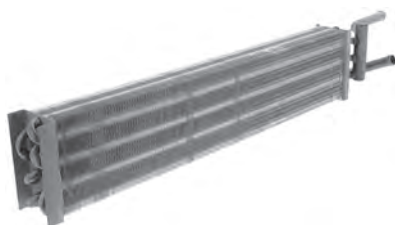


HC1000

Red Dot R-9750

Material: Copper/Brass Core

Height: 484mm
Width: 102mm
Thickness: 48mm

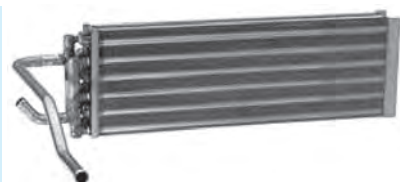


HC1560


Red Dot R-9777

Material: Copper/Brass Core

Height: 475mm
Width: 152mm
Thickness: 50mm



HC1870
Red Dot R-9800



Material: Copper/Brass Core
Height: 445mm
Width: 177mm
Thickness: 54mm

**Renault/Saab/Seat/
Skoda/Smart**

HC0154
Renault Clio Series I & II, 5/01-7/06

7701044790, 7701045552



Material: Alloy/Plastic Core
Height: 234mm
Width: 157mm
Thickness: 45mm
Header Top
Length: 160mm
Thickness: 50mm
Header Bottom
Length: 160mm
Thickness: 50mm

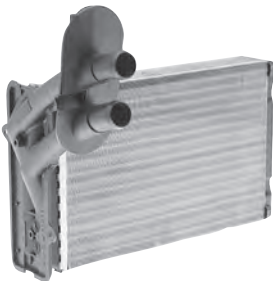
HC0105
Saab 93 2.0Lt, 6/98-2/01

93171801, 91442210



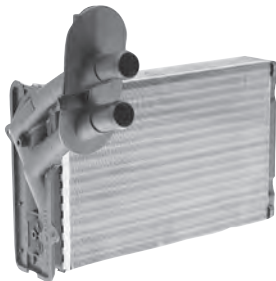
Material: Alloy/Plastic Core
Height: 190mm
Width: 190mm
Thickness: 45mm

HC0057
Seat Cordoba, 9/93-8/02
Seat Ibiza, 2/93-11/01
Seat Toledo, 2/91-10/98



Material: Alloy/Plastic Core
Height: 235mm
Width: 155mm
Thickness: 40mm
Header Top
Length: 155mm
Thickness: 48mm
Header Bottom
Length: 155mm
Thickness: 48mm


HC0057
Skoda Octavia, 10/96-8/98



Material: Alloy/Plastic Core
Height: 235mm
Width: 155mm
Thickness: 40mm
Header Top
Length: 155mm
Thickness: 48mm
Header Bottom
Length: 155mm
Thickness: 48mm

HC0166
Smart Fortwo, 1/04>

4518350101



Material: Alloy Core
Height: 145mm
Width: 135mm
Thickness: 32mm
Header Top
Length: 140mm
Thickness: 38mm
Header Bottom
Length: 140mm
Thickness: 38mm

Toyota

HC0130
Toyota Aurion GSV40R, 06>
Toyota Camry ACV40R, 06>


87107-33120



Material: Alloy Core
Height: 130mm
Width: 210mm
Thickness: 26mm

HC0063
Toyota Avalon MCX10R, 00>
Toyota Camry MCV20, SXV20, 97>

87107-YC020



Material: Alloy Core
Height: 220mm
Width: 163mm
Thickness: 27mm
Header Top
Length: 163mm
Thickness: 37mm
Header Bottom
Length: 163mm
Thickness: 37mm



HC0082
Toyota Avensis Verso ACM20R
ACM21R, 12/01>

87107-44010

Material: Alloy
Core
Height: 180mm
Width: 187mm
Thickness: 27mm
Header Top
Length: 187mm
Thickness: 38mm
Header Bottom
Length: 187mm
Thickness: 38mm



HC0010
Toyota Camry SV20, SV21, SV22

87107-YB010

Material: Copper/Brass
Core
Height: 220mm
Width: 145mm
Thickness: 32mm
Header Top
Length: 140mm
Thickness: 40mm
Header Bottom
Length: 140mm
Thickness: 40mm



HC0034
Toyota Camry SDV10, 11/92-7/97

87107-33010

Material: Copper/Brass
Core
Height: 220mm
Width: 162mm
Thickness: 32mm
Header Top
Length: 160mm
Thickness: 40mm
Header Bottom
Length: 160mm
Thickness: 40mm



HC0095
Toyota Corolla ZZE122R, 12/01-3/04

87107-12550

Material: Alloy
Core
Height: 143mm
Width: 220mm
Thickness: 27mm
Header Top
Length: 224mm
Thickness: 36mm
Header Bottom
Length: 224mm
Thickness: 36mm



HC0036
Toyota Corolla AE101, AE102, 7/94-12/99

87107-12380

Material: Copper/Brass
Core
Height: 225mm
Width: 140mm
Thickness: 33mm
Header Top
Length: 140mm
Thickness: 42mm
Header Bottom
Length: 140mm
Thickness: 42mm



HC0011
Toyota Corolla AE80, AE82, 1/85-12/88

87107-12310A

Material: Copper/Brass
Core
Height: 160mm
Width: 143mm
Thickness: 50mm
Header Top
Length: 145mm
Thickness: 60mm
Header Bottom
Length: 145mm
Thickness: 60mm



HC0021
Toyota Corona ST141

87107-14110B

Material: Copper/Brass
Core
Height: 160mm
Width: 160mm
Thickness: 48mm
Header Top
Length: 160mm
Thickness: 60mm
Header Bottom
Length: 160mm
Thickness: 60mm



HC0093
Toyota Echo NCP10R, NCP12R
NCP13R, 8/99-8/05

87107-52010

Material: Alloy
Core
Height: 134mm
Width: 223mm
Thickness: 27mm
Header Top
Length: 224mm
Thickness: 36mm
Header Bottom
Length: 224mm
Thickness: 36mm



HC0083
Toyota Hilux, 88-8/97

87107-89117

Material: Copper/Brass
Core
Height: 221mm
Width: 150mm
Thickness: 32mm
Header Top
Length: 142mm
Thickness: 42mm
Header Bottom
Length: 142mm
Thickness: 42mm



HC0096
Toyota Kluger MCU28R, 11/03-7/07

871074-4040

Material: Alloy
Core
Height: 110mm
Width: 97mm
Thickness: 27mm
Header Top
Length: 100mm
Thickness: 38mm
Header Bottom
Length: 100mm
Thickness: 38mm



HC0106

Toyota Landcruiser 200 Series, 11/07>

87107-38300, 91442210

Material: Alloy
Core
Height: 165mm
Width: 200mm
Thickness: 20mm



HC0087

Toyota Landcruiser 100 Series

87107-60290

Material: Alloy
Core
Height: 184mm
Width: 176mm
Thickness: 27mm
Header Top
Length: 187mm
Thickness: 36mm
Header Bottom
Length: 187mm
Thickness: 36mm



HC0084

Toyota Landcruiser 80 Series, 96-98

87107-60270

Material: Alloy
Core
Height: 200mm
Width: 165mm
Thickness: 36mm
Header Top
Length: 162mm
Thickness: 47mm
Header Bottom
Length: 162mm
Thickness: 47mm

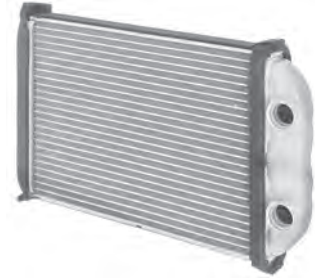


HC0065

Toyota Prado VZJ95R, RZJ95R, 4/96>

87107-60380

Material: Alloy
Core
Height: 220mm
Width: 160mm
Thickness: 26mm
Header Top
Length: 155mm
Thickness: 35mm
Header Bottom
Length: 155mm
Thickness: 35mm



HC0064

Toyota Rav4 SXA10R, SXA11R, 94-98
Toyota Starlet EP91R, 1/96-8/99

87107-42060

Material: Alloy
Core
Height: 200mm
Width: 125mm
Thickness: 26mm
Header Top
Length: 115mm
Thickness: 35mm
Header Bottom
Length: 115mm
Thickness: 35mm



HC0106

Toyota Tarago ACR50R, GSR50R, 3/06>

87107-38300, 91442210

Material: Alloy
Core
Height: 165mm
Width: 200mm
Thickness: 20mm



HC0097

Toyota Yaris NCP90R, 05>

87107-52060

Material: Alloy
Core
Height: 170mm
Width: 210mm
Thickness: 26mm



OR3140

Toyota O'ring
Suits Alloy Heater Cores



Volkswagen/Volvo

HC0057

Volkswagen Caddy, 11/95-6/03
Volkswagen Golf I - IV, 4/84-10/03

Material: Alloy/Plastic
Core
Height: 235mm
Width: 155mm
Thickness: 40mm
Header Top
Length: 155mm
Thickness: 48mm
Header Bottom
Length: 155mm
Thickness: 48mm

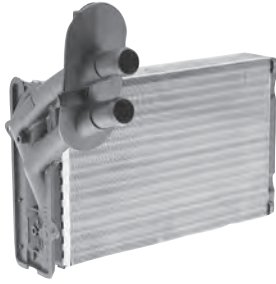


HC0057

Volkswagen Passat, 4/88-5/97
Volkswagen Polo, 10/94-9/01

Material: Alloy/Plastic Core

Height: 235mm
Width: 155mm
Thickness: 40mm
Header Top
Length: 155mm
Thickness: 48mm
Header Bottom
Length: 155mm
Thickness: 48mm



HC0061

Volkswagen Transporter, 9/90-6/03

701819031A

Material: Alloy/Plastic Core

Height: 210mm
Width: 138mm
Thickness: 40mm
Header Top
Length: 138mm
Thickness: 48mm
Header Bottom
Length: 138mm
Thickness: 48mm



HC0105

Volvo 850, 91-98
Volvo C70, 97-11/04

93171801, 91442210

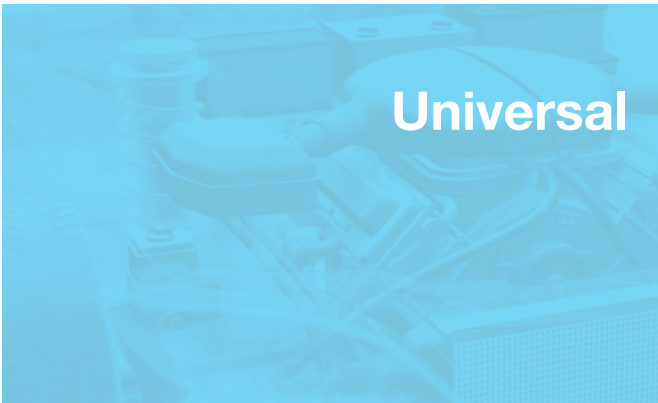
Material: Alloy/Plastic Core

Height: 190mm
Width: 190mm
Thickness: 45mm



Make & Model	Year	Part No.	Page No.
Ford			
Fairlane ZF, ZH without A/C	72-79	HA5202	598
Fairlane ZA, ZD, 6 cyl, V8	67-72	HA5121	599
Falcon BA-BF		HA2006	598
Falcon EA-AU, 6 cyl	3/88-9/02	HA5213	598
Falcon EA-AU, V8	3/88-9/02	HA6315	598
Falcon XD-XF, 6 cyl, V8	79-88	HA5217	599
Falcon XA, XB, XC without A/C	72-79	HA5202	598
Falcon XR, XT, XW, XY, 6 cyl, V8	66-72	HA5121	599
KA	11/99-12/03	HA6325	599
Transit VH-VJ	02-06	HA6325	599
Holden			
Astra TR, TS	9/96-1/07	HA5669	599
Barina SB	4/94-2/01	HA5669	599
Combo SB	3/96-7/97	HA5669	599
Commodore VZ, 6 cyl	8/04-8/07	HA5218	599
Commodore VY, V6 & V8	10/02-7/04	HA5631	599
Commodore VX, V6 & V8	10/00-9/02	HA5631	599
Commodore VU Ute, V6 & V8	12/00-9/02	HA5631	599
Commodore VT, V6 & 5.7Lt V8	9/97-10/00	HA5631	599
Commodore VT, 5.0Lt & 5.7Lt HSV V8	9/97-10/00	HA5217	599
Commodore VS, V6	4/95-8/97	HA5631	599
Commodore VS, V8	4/95-8/97	HA5217	599
Commodore VR, V6 & V8	7/93-4/95	HA5217	599
Commodore VP, V6 & V8	10/91-7/93	HA5217	599
Commodore VN, V6	89-90	HA5631	599
Commodore VN, V6	91-8/91	HA5217	599
Commodore VN, V8	3/89-9/91	HA5217	599
Commodore VG Ute, V6	91-1/92	HA5217	599
Commodore VG Ute, V6	89-90	HA5631	599
Commodore VG Ute, V8	8/90-1/92	HA5217	599
Commodore VK, VL	84-88	HA7001	599
HQ-HZ 3 outlet, cable type	72-80	HA5104	599
HQ-HZ 2 outlet, cable type	72-80	HA5105	599
Vectra, JR, JS	6/97-12/02	HA5669	600

Make & Model	Year	Part No.	Page No.
Nissan			
Bluebird, Series III	85-6/86	HA4017	600
Pulsar N13	86-91	HA7003	600
Saab			
9-5	97-09	HA5669	600
Universal			
Universal Pull on / Push off		HA4008	597
Universal Push on / Pull off		HA5060	597
Universal Pull on / Push off		HA5211	597
Universal Manual on / off		HA6860	597
Heater Cable Push / Pull		HA4009	597
Heater Cable Switch Control		HA8295	597
Universal Electric 12V		HA5081	597
Universal Electric 24V		HA5082	597
Universal Electric 12V (non modulating)		HA9002	597
Universal Kit Electric 12V / 24V		HA7000	598
Universal Kit Electric 12V / 24V		HA7100	598
Universal Electric 12V / 24V		HA7005	598
Universal Air Operated		HA6420	598
Universal Vintage Air (vacuum operated)		HA6104VH	598



Universal

HA4008
Universal

Pull on / Push off
5/8"-5/8" Hose



HA5060
Universal

Push on / Pull off
5/8"-5/8" Hose
72R5060



HA5211
Universal

Pull on / Push off
5/8"-5/8" Hose
72R5210



HA6860
Universal

Manual on / off
5/8" Hose



HA4009
Heater Cable

Push / Pull
1750mm



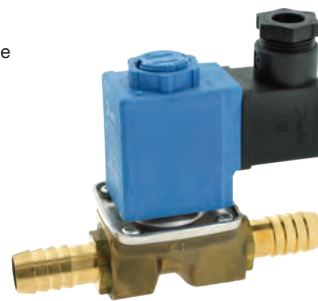
HA8295
Heater Cable

Switch Control
730mm
72R9005



HA5081
Universal

Electric 12V
16mm (5/8") Hose



HA5082
Universal

Electric 24V
16mm (5/8") Hose



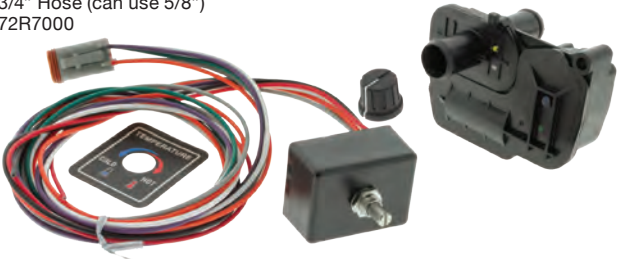
HA9002
Universal

Electric 12V (non modulating)
5/8"-5/8" Hose



HA7000
Universal Kit

Electric 12V / 24V
 3/4" Hose (can use 5/8")
 72R7000




HA7100
Universal Kit

Electric 12V / 24V
 5/8" Hose - 4 outlet
 72R7100



HA7005
Universal

Electric 12V / 24V
 3/4" Hose (can use 5/8")
 72R7005



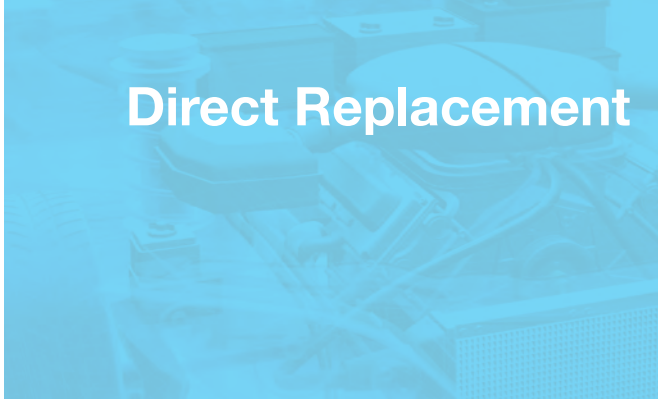
HA6420
Universal

Air Operated
 5/8"-5/8" Hose
 72R6420



HA6104VH
Vintage Air Universal

Vacuum Operated
 5/8"-5/8" Hose

HA2006
Ford Falcon BA-BF, 9/02-7/11



HA5213
Ford Falcon EA-AU, 6 cyl, 3/88-9/02



HA6315
Ford Falcon EA-AU, V8, 3/88-9/02



HA5202
Ford Falcon XA, XB, XC, Ford Fairlane ZF, ZH

Without A/C



HA5217

Ford Falcon XD-XF, 6 cyl, V8



HA5121

Ford Falcon XW, XY, XR, XT, 6 cyl, V8
Ford Fairlane ZA, ZD, 6 cyl, V8



HA6325

Ford KA, 11/99-12/03
Ford Transit VH-VJ, 02-06

7N2118495AB



HA5669

Holden Astra TR, TS, 9/96-1/07
Holden Barina SB, 4/94-2/01
Holden Combo SB, 3/96-7/97



HA5218

Holden Commodore VZ, 6 cyl, 8/04-8/07



HA5631

Holden Commodore VN-VY, 8/88-7/04

See Application Guide



HA5217

Holden Commodore VN-VT, 8/88-10/00

See Application Guide



HA7001

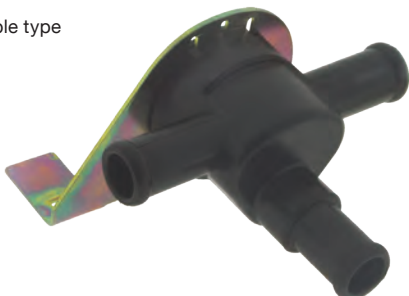
Holden Commodore VK, VL
6 cyl, V8



HA5104

Holden HQ-HZ

3 outlet, Cable type



HA5105

Holden HQ-HZ

2 outlet, Cable type



HA5669

Holden Vectra, JR, JS, 6/97-12/02

90566947



HA4017

Nissan Bluebird, Series III, 85-6/86



HA7003

Nissan Pulsar N13, 86-91



HA5669

Saab 9-5, 97-09

90566947



Electric Boost Pumps

EBP25

Electric Boost Pump 12V

25L/min
3/4" Hose connections



EW9001

Electric Boost Pump Kit 12V

15L/min
3/4" Hose connections



EW9002

Electric Boost Pump 12V

15L/min
3/4" Hose connections



HA0711

Electric Boost Pump 24V

Bus & Coach applications
1" Hose connections



HA0840

Heater Boost Pump 24V

Bus & Coach applications
Stainless Steel
3/4" BSB Ports



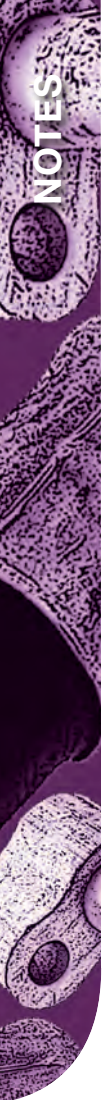
Make & Model	Year	Part No.	Description	Page No.
Ford				
Falcon FG, 6 cyl	5/11>	AL2036	Liquid Line / Suction Pipe Assembly	608
Falcon FG, 4 cyl Turbo	3/12>	AL2041	Liquid Line / Suction Pipe Assembly	608
Falcon FG, 4 cyl Turbo	3/12>	HO0551	Discharge Hose	608
Falcon BA, 6 & 8 cyl	9/02-9/05	AL6400	Liquid Line	608
Falcon BA, 6 & 8 cyl	9/02-9/05	AL6401	Liquid Line	608
Falcon BA, 6 cyl	9/02-9/05	HO0144	Discharge Hose	608
Falcon BA, 6 cyl	9/02-9/05	HO0146	Suction Hose	609
Falcon BA, V8	9/02-9/05	HO0145	Discharge Hose	609
Falcon AU, 6 cyl	9/98-9/02	HO0155	Suction / Discharge Hose Assembly	609
Falcon EF, 6 cyl	94-96	HO0133	Suction / Discharge Hose Assembly	609
Falcon EB, 6 cyl	91-93	HO0201	Liquid Line	609
Falcon EB, 6 cyl	91-93	HO0110	Suction Hose (R134a)	609
Falcon EA, 6 cyl MPI	88-91	HO6451	Discharge Hose	609
Falcon XF	84-2/88	HO0125	Discharge Hose	609
Falcon XD, XE, V8	79-82	HO0119	Discharge Hose	609
Festiva WB	94-96	AL2015	Liquid Line	609
Laser KN, 4 Door	99-02	AL5390	Liquid Line	610
Territory SZ, Diesel	5/11>	AL2038	Liquid Line / Suction Pipe Assembly	610
Territory SZ, 6 cyl	5/11>	AL2043	Liquid Line / Suction Pipe Assembly	610
FPV GT, GTS (Miami), 5.0Lt V8	11/11>	AL2037	Suction / Discharge Hose Assembly	608
FPV GT, GTS (Miami), 5.0Lt V8	11/11>	HO0553	Suction Hose	608
FPV GT, GTS (Miami), 5.0Lt V8	11/11>	HO0554	Discharge Hose	608
Holden				
Apollo JK, JL	8/89-3/93	HO0116	Discharge Hose	610
Commodore VE	8/06>	AL5545	Suction Pipe	610
Commodore VE, V6	8/06-8/09	HO2037	Suction / Discharge Hose Assembly	610
Commodore VE, V6	8/06>	HO5546	Liquid Line	610
Commodore VE, V8	8/06>	HO2038	Suction / Discharge Hose Assembly	610
Commodore VZ, V6	04-07	AL6320	Liquid Line	610
Commodore VZ, V6	04-07	HO4652	Suction / Discharge Hose Assembly	611
Commodore VZ, V8	04-07	HO4651	Suction / Discharge Hose Assembly	611
Commodore VY, V6	02-04	HO8260	Suction / Discharge Hose Assembly	611
Commodore VY, V8 5.7Lt GEN III	02-04	HO8262	Suction / Discharge Hose Assembly	611
Commodore VY, V8 5.7Lt GEN III	02-04	HO8263	Suction / Discharge Hose Assembly	611
Commodore VY, V8 5.7Lt GEN III	02-04	HO8264	Suction / Discharge Hose Assembly	611
Commodore VY	02-04	AL6318	Liquid Line	611
Commodore VT & VX, V8 5.7Lt GEN III	9/97-9/02	HO8261	Suction / Discharge Hose Assembly	611
Commodore VT, VX	9/97-9/02	AL6319	Liquid Line	611
Commodore VT, VX, V6	9/97-9/02	HO8253A	Suction / Discharge Hose Assembly (w/out Transducer)	611
Commodore VT, VX, V6	9/97-9/02	HO8253	Suction / Discharge Hose Assembly (with Transducer)	612
Commodore VT, V8	9/97-8/00	HO8254	Suction / Discharge Hose Assembly	612



Make & Model	Year	Part No.	Description	Page No.
Commodore VR, VS, 6 & 8 cyl	7/93-8/97	AL6315	Liquid Line (set x 2, replaces OE 1 piece pipe)	612
Commodore VR, VS, V6	7/93-8/97	HO8251	Discharge Hose	612
Commodore VR, VS, V8	7/93-8/97	HO8256	Discharge Hose	612
Commodore VN, VP, VG Ute, V6	8/88-6/93	HO0437	Suction Hose	612
Commodore VN, VP, VG Ute, V6	8/88-6/93	HO0868	Discharge Hose	612
Commodore VL, 6 cyl	1/86-7/88	HO4680	Suction Hose	612
Commodore VL, 6 cyl	1/86-7/88	HO4681	Discharge Hose	612
Commodore VK, 6 cyl	84-86	HO4563	Suction Hose	612
Commodore VK, 6 cyl	84-86	HO4565	Discharge Hose	613
Monaro CV6, CV8	12/01-9/04	AL6318	Liquid Line	611
Monaro CV6, CV8	12/01-9/04	AL6319	Liquid Line	611
Rodeo TF, Turbo Diesel	90>	HO8036	Discharge Hose	613
Statesman WK, 6 & 8 cyl	5/03-7/04	AL6318	Liquid Line	611
Statesman WH, 6 & 8 cyl	6/99-4/03	AL6319	Liquid Line	611
Statesman VQ, V6	11/91-2/94	HO0437	Suction hose	612
Statesman VQ, V6	11/91-2/94	HO0868	Discharge Hose	612
Hyundai				
Excel X3	95-96	AL2004	Liquid Line	613
Excel X3	94-95	HO0175	Discharge Hose (2 piece)	613
Excel X3	94-95	HO0175A	Discharge Hose (1 piece)	613
Lantra		AL5088	Liquid Line	613
Sonata		HO0142	Discharge Hose	613
Mazda				
121	00-04	AL0477	Liquid Line	613
121 Metro, DW2	<96	AL0937	Liquid Line	614
323 BJ, 1.6Lt	9/98>	AL5390	Liquid Line	614
BT50		HO0477	Discharge Hose	614
MX-5, Turbo	3/04-8/05	AL1032	Liquid Line	614
MX-5, with ABS		AL0860	Liquid Line	614
T Series, WH		HO0485	Discharge Hose	614
Mercedes Benz				
M Class		AL2030	Liquid Line	614
Mitsubishi				
Magna TE, TF, TH, TJ	4/96-7/03	AL5513	Liquid Line	614
Magna TR, V6	4/93-3/94	HO8248	Discharge Hose	614
Verada KR, V6	7/91-3/94	HO8248	Discharge Hose	614
Nissan				
Pulsar N15, 2.0Lt	95-00	HO8303K	Suction Hose / Discharge Hose Set	615
Pulsar N15	95-00	AL5174	Pipe Set	615
Pulsar N13	86-91	HO6484	Suction Hose	615
Pulsar N13	86-91	HO6542	Discharge Hose	615
Toyota				
Camry SV21	86-93	HO0116	Discharge Hose	615

Make & Model	Year	Part No.	Description	Page No.
Corolla ZZE122R	12/01-4/07	AL8000	Evaporator Pipe Set	615
Corolla ZZE122R	12/01-4/07	AL8003	Discharge Pipe	615
Corolla ZZE122R Hatch	12/01-4/07	AL8005	Liquid Line	615
Corolla ZZE122R Sedan	12/01-4/07	AL8006	Liquid Line	616
Corolla ZZE122R Sedan	12/01-4/07	AL8007	Liquid Line	616
Corolla ZZE122R	12/01-4/07	HO8001	Discharge Hose	616
Corolla ZZE122R Sedan	12/01-4/07	HO8002	Suction Hose	616
Corolla ZZE122R Hatch	12/01-4/07	HO8003	Suction Hose	616
Corolla AE90, AE92, 1.4, 1.6, 1.8Lt	89-94	HO0129	Discharge Hose (R134a)	616
Corolla AE90, AE92, 1.4, 1.6, 1.8Lt	89-94	HO0128	Suction Hose (R134a)	616
Hilux TGN16R, 2.7Lt 4 cyl	3/05>	HO0149	Discharge Hose	616
Hilux KUN16R, KUN26R, 3.0Lt Turbo	3/05>	HO0158	Discharge Hose	616
Hilux GGN15R, GGN25R, 4.0Lt V6	3/05>	HO0157	Discharge Hose	616
Hilux	3/05>	AL8110	Liquid Line (w/out pressure switch)	617
Landcruiser 80 Series, FZJ80	11/92-2/98	AL2007	Liquid Line	617
Landcruiser 80 Series, FZJ80	11/92-2/98	HO0150	Suction Hose (R134a)	618
Landcruiser 80 Series, FZJ80	11/92-2/98	HO0151	Suction Hose (R134a)	618
Landcruiser 80 Series, HZJ80	5/90-2/98	HO0153	Suction Hose (R134a)	617
Landcruiser 80 Series, HZJ80 & HDJ80	5/90-2/98	HO0152	Discharge Hose (R134a)	617
Landcruiser 80 Series, HZJ80 & HDJ80	5/90-2/98	AL2011	Liquid Line	617
Landcruiser 80 Series, HDJ80	5/90-2/98	HO0154	Suction Hose (R134a)	617
Landcruiser 80 Series, FZJ80, HZJ80, HDJ80	5/90-2/98	AL2006	Liquid Line (with sight glass)	617
Landcruiser 80 Series, FZJ80, HZJ80, HDJ80	5/90-2/98	AL2008	Suction Pipe	617
Landcruiser 80 Series, FZJ80, HZJ80, HDJ80	5/90-2/98	AL2009	Suction Pipe	617
Landcruiser 80 Series, FZJ80, HZJ80, HDJ80	5/90-2/98	AL2010	Liquid Line	617
Landcruiser 70 Series, HJ75, HZJ75	85-90	AL0525	Liquid Line (Cooltemp system)	618
Landcruiser 70 Series, HJ75, HZJ75	85-90	AL0526	Suction Pipe (Cooltemp system)	618
Paseo EL54	12/95-12/99	AL6540	Liquid Line	618
Paseo EL54	12/95-12/99	HO9960	Discharge Hose	618
Paseo EL54	12/95-12/99	AL6050	Liquid Line	618
Paseo EL54	12/95-12/99	HO2560	Discharge Hose	618
Paseo EL54	12/95-12/99	HO8070	Discharge Hose	618
Prado GRJ120R	3/03-10/09	HO0159	Discharge Hose	619
Prado KDJ120R	11/06-10/09	HO2182	Discharge Hose	619
Prado KZJ120R	3/03-10/06	HO0160	Discharge Hose	619
Rav4 SXA10R, SXA11R	7/94-9/00	HO4090	Discharge Hose	619
Starlet EP91R	4/96-10/99	AL0940	Liquid Line	619
Starlet EP91R	4/96-10/99	AL8150	Liquid Line	619
Starlet EP91R	4/96-10/99	HO4800	Discharge Hose	619





Notes

A large area for taking notes, consisting of a blue header bar followed by 30 horizontal lines.

No. 6 Flare

Part No.	Length
AL3003	500mm
AL3004	750mm
AL3005	1000mm



No. 5 O'ring

Part No.	Length
AL1515	150mm
AL1530	200mm
AL1535	350mm
AL1540	400mm
AL1550	500mm
AL1560	600mm
AL1575	750mm
AL1500	1000mm



No. 6 O'ring

Part No.	Length
AL3017	150mm
AL3008	200mm
AL0350	350mm
AL3018	400mm
AL3009	500mm
AL3019	600mm
AL3012	750mm
AL3010	1000mm
AL3011	1200mm
AL3013	1475mm



Open

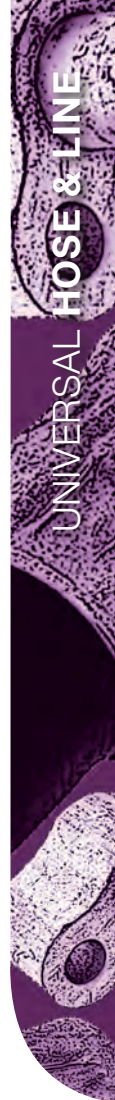
Part No.	Size	Length
AL5005	No 5	2000mm
AL5006	No 6	2000mm
AL5008	No 8	2000mm
AL5010	No 10	2000mm
AL5012	No 12	2000mm
AL3203	12mm O.D.	3000mm (2mm wall thickness)
AL3204	14.5mm O.D.	3000mm (2mm wall thickness)



Universal Pipe Fitting Nuts

Part No.	Measurements
Steel Female Flare Nut	
AL0002	5/8" - 18 UNF
AL0003	Ferrule 3/8"
AL0007	7/8" - 14 UNF
Steel Female Flare Nut Atco "AF" Series	
AL7002	No. 6
AL7005	No. 8
AL7007	No. 10
AL7009	No. 12
Steel Male Flare Nut	
AL0001	5/8" - 18 UNF
AL0004	3/4" - 16 UNF

Part No.	Measurements
Steel Female O'ring Nut	
AL0008	5/8" - 18 UNF
AL0009A	3/4" - 16 UNF
AL0010	7/8" - 14 UNF
AL0016	9/16" - 18 UNF
AL0014	1 1/16" - 14 UNF
Steel Male O'ring Nut	
AL0011	5/8" - 18 UNF
AL0012	3/4" - 16 UNF
AL0013	7/8" - 14 UNF
AL0015	9/16" - 18 UNF
AL0017	5/8" Thread 3/8" Pipe
AL0018	3/4" Thread 1/2" Pipe
AL0019	7/8" Thread 5/8" Pipe



4826 Refrigerant Hose Size Chart

Goodyear Galaxy 4826 Air conditioning hose incorporates a nylon barrier between two elastomeric tube layers to offer extremely low permeation of automotive refrigerants.

Galaxy 4826 is recommended for R134a and R12 refrigerants in automotive, heavy duty truck, construction and agricultural air conditioning systems.

The hose has two spiral layers of polyester reinforcement and is built to meet or exceed SAE J2024 Type C Class II.

Galaxy 4826 is designed to operate in the temperature range of -40°C to 125°C, (-40°F to 257°F)



Hose Size		Hose Size I.D.		Hose Size O.D.		Max. Working Pressure		Bend Radius	Min. Burst Pressure	
		Inch	mm	Inch	mm	PSI	Bar	mm	PSI	MPA
5/16	No. 6	0.31	7.9	0.75	19.1	500	34	16	2000	138
13/32	No. 8	0.40	10.3	0.90	23.0	500	34	25	2000	138
1/2	No. 10	0.49	12.7	1.00	25.4	500	34	32	2000	138
5/8	No. 12	0.62	15.9	1.13	28.6	350	24	50	1750	121

4826 Refrigerant Hose

Description			Part No.				
Hose Size	Fitting Size	Hose I.D.	5m	10m	15m	Bulk Reel	Application
No.6	3/8"	5/16"	FH6321	FH6322	FH6323	FH6106 (251m)	Liquid
No.8	1/2"	13/32"	FH6326	FH6327	FH6328	FH6108 (221m)	Discharge
No.10	5/8"	1/2"	FH6331	FH6332	FH6333	FH6110 (213m)	Suction
No.12	3/4"	5/8"	FH6336	FH6337	FH6338	FH6112 (160m)	Suction



3800 Refrigerant Hose

Air-O-Crimp 3800 refrigerant hose incorporates an improved Poly-Amide lining between two Elastomeric layers, offering improved refrigerant permeation rates. Air-O-Crimp 3800 hose is compatible with R134a and R404 refrigerant. Designed to operate in the temperature range of -30°C to +125°C (-22°F to +275°F), this hose meets or exceeds all requirements of SAE J2064 refrigerant hose standards.

Hose Size	1m	5m	15m	25m	Bulk Reel
No.6	FHAC06	FHAC21	FHAC23	FHAC24	FHAC3806 (152m)
No.8	FHAC08	FHAC26	FHAC28	FHAC29	FHAC3808 (152m)
No.10	FHAC10	FHAC31		FHAC34	FHAC3810 (92m)
No.12	FHAC12	FHAC36	FHAC38	FHAC39	FHAC3812 (76m)



4860 Refrigerant Hose

Goodyear Galaxy 4860 Air Conditioning hose incorporates a nylon barrier between two elastomeric tube layers to offer extremely low permeation of automotive refrigerants. Galaxy 4860 is light weight, flexible and offers excellent resistance to moisture ingress.

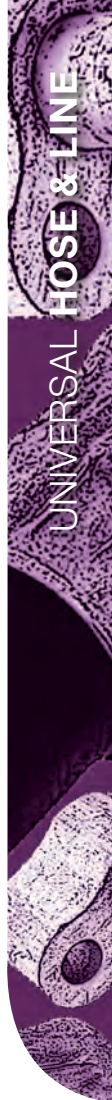
This hose is constructed with a single braid of polyester reinforcement. Galaxy 4860 is designed to operate in the temperature range of -40°C to +135°C. (-40°F to +274°F) This hose meets or exceeds all requirements of the SAE J2064 refrigerant hose standard.

It is the hose of choice for most US auto manufacturers. Galaxy 4860 is compatible with both R12 & R134a.

Note: The 4860 style hose require special crimping dies.



Hose Size	Nom. Size	Description					Part No.			
		Hose I.D. (mm) min	Hose I.D. (mm) max	Hose O.D. (mm) min	Hose O.D. (mm) max	Bend Radius°	5m	25m	Per Metre	Application
No.6	5/16"	7.85	8.61	14.22	15.24	38	FH8606	FH8614	FH4860-6	Liquid
No.8	13/32"	10.16	11.18	16.76	17.78	51	FH8608	FH8615	FH4860-8	Discharge
No.10	1/2"	12.45	13.46	18.92	19.94	63.5	FH8610	FH8616	FH4860-10	Suction
No.12	5/8"	15.62	16.64	23.11	24.13	90	FH8612	FH8617	FH4860-12	Suction



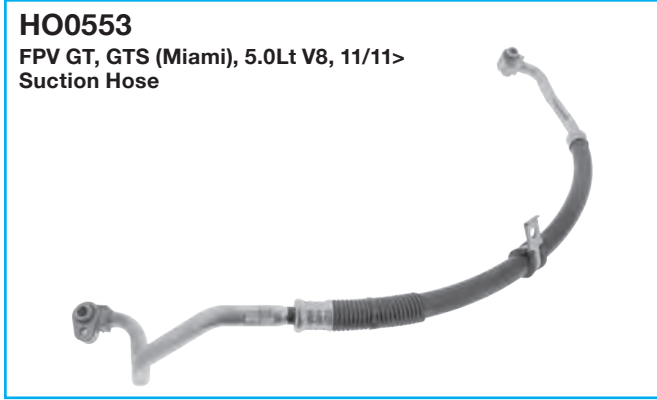
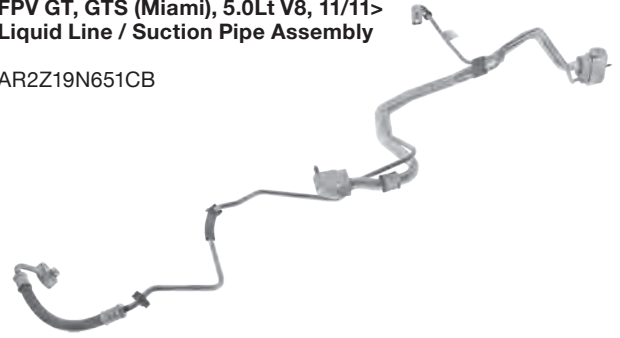


Ford

AL2037

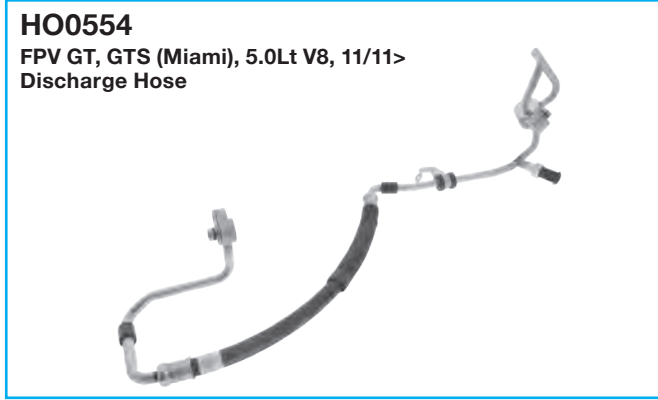
FPV GT, GTS (Miami), 5.0L V8, 11/11>
Liquid Line / Suction Pipe Assembly

AR2Z19N651CB



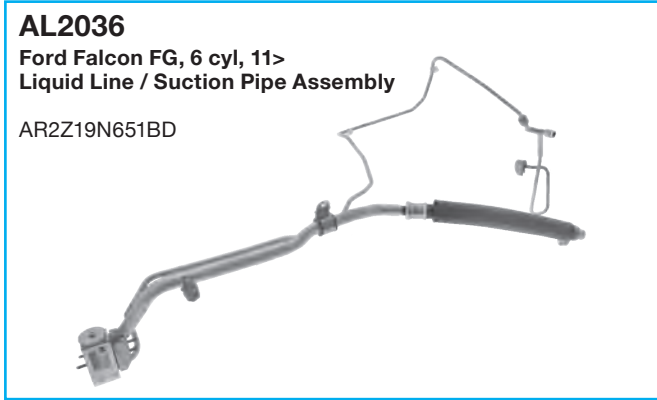
HO0553

FPV GT, GTS (Miami), 5.0L V8, 11/11>
Suction Hose



HO0554

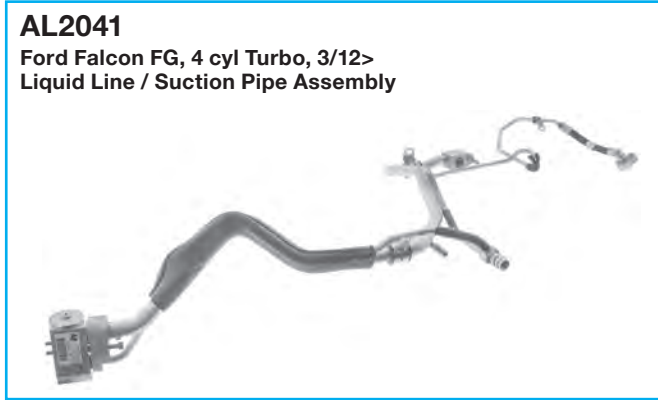
FPV GT, GTS (Miami), 5.0L V8, 11/11>
Discharge Hose



AL2036

Ford Falcon FG, 6 cyl, 11>
Liquid Line / Suction Pipe Assembly

AR2Z19N651BD



AL2041

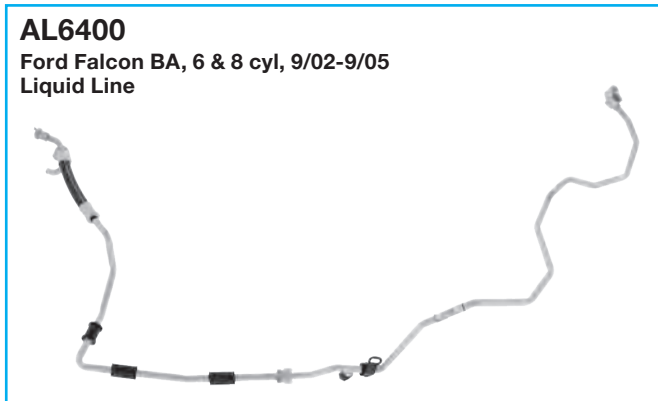
Ford Falcon FG, 4 cyl Turbo, 3/12>
Liquid Line / Suction Pipe Assembly



HO0551

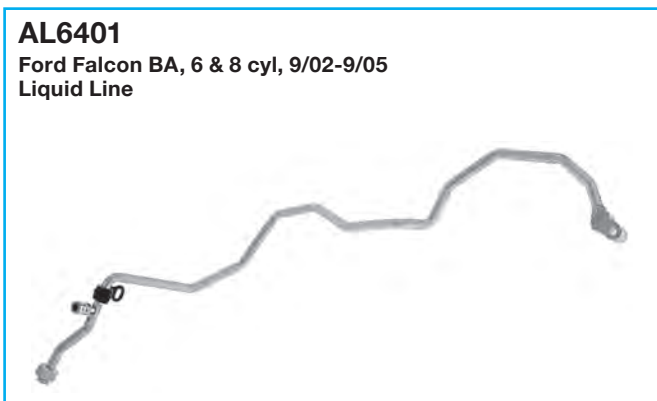
Ford Falcon FG, 4 cyl Turbo, 3/12>
Discharge Hose

BR2Z19C700AA



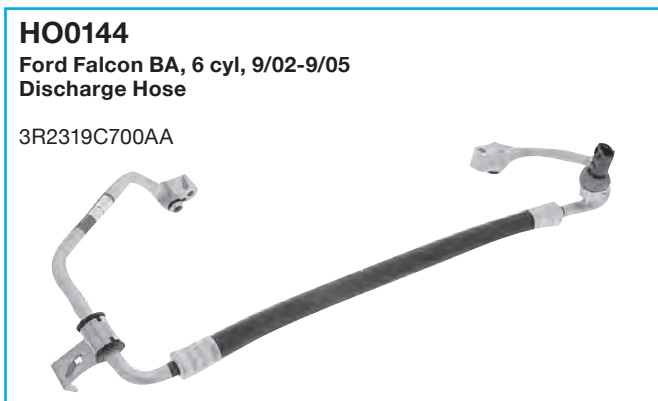
AL6400

Ford Falcon BA, 6 & 8 cyl, 9/02-9/05
Liquid Line



AL6401

Ford Falcon BA, 6 & 8 cyl, 9/02-9/05
Liquid Line



HO0144


Ford Falcon BA, 6 cyl, 9/02-9/05
Discharge Hose

3R2319C700AA

HO0145
 Ford Falcon BA, V8, 9/02-9/05
 Discharge Hose
 3R2319C700BA



HO0146
 Ford Falcon BA, 6 cyl, 9/02-9/05
 Suction Hose
 3R2319997AA



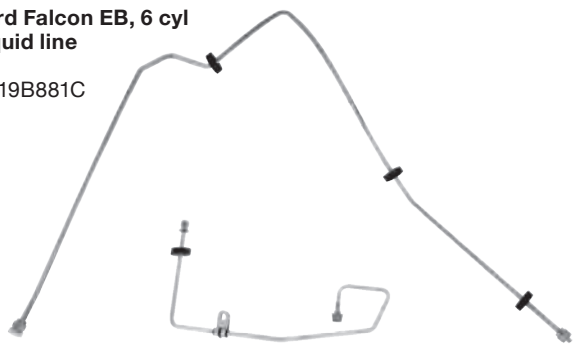
HO0155
 Ford Falcon AU, 6 cyl, 9/98-9/02
 Suction / Discharge Hose Assembly
 ER1908504



HO0133
 Ford Falcon EF, 6 cyl
 Suction / Discharge Hose Assembly
 EF19D850E



HO0201
 Ford Falcon EB, 6 cyl
 Liquid line
 ED19B881C



HO0110
 Ford Falcon EB, 6 cyl
 Suction Hose, R134a
 EE19N617A



HO6451
 Ford Falcon EA, 6 cyl MPI
 Discharge Hose
 EA19972A




HO0125
 Ford Falcon XF
 Discharge Hose
 XFL19972A



HO0119
 Ford Falcon XD, XE, V8
 Discharge Hose
 XD19972B



AL2015
 Ford Festiva WB
 Liquid Line, Cond - FDR
 Air International system



AL5390

Ford Laser KN, 4 Door, 3/99>
Liquid Line

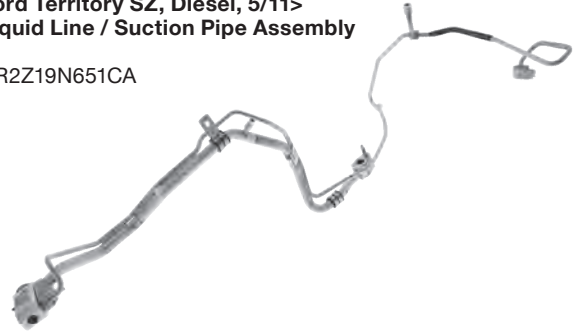
MAC0855861



AL2038

Ford Territory SZ, Diesel, 5/11>
Liquid Line / Suction Pipe Assembly

AR2Z19N651CA



AL2043

Ford Territory SZ, 6 cyl, 5/11>
Liquid Line / Suction Pipe Assembly

BR7Z19N651AE



Picture unavailable at time of printing
refer www.cooldrive.com.au



HO0116

Holden Apollo JK, JL, 8/89-3/93
Discharge Hose



AL5545

Holden Commodore VE, 8/06>
Suction Pipe



HO2037

Holden Commodore VE, V6, 8/06-8/09
Suction / Discharge Hose Assembly



HO5546

Holden Commodore VE, V6, 8/06>
Liquid Line

92193510



HO2038

Holden Commodore VE, V8, 8/06>
Suction / Discharge Hose Assembly

92157799, 92198656, 92248989



AL6320


Holden Commodore VZ, V6
Liquid Line

92188888




DIRECT REPLACEMENT HOSE & LINE


HO4651
 Holden Commodore VZ, V8
 Suction / Discharge Hose Assembly
 92184651




HO4652
 Holden Commodore VZ, V6
 Suction / Discharge Hose Assembly
 92184649




HO8260
 Holden Commodore VY, V6
 Suction / Discharge Hose Assembly
 92084234



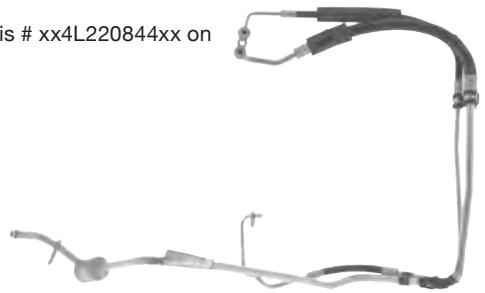
HO8262
 Holden Commodore VY, V8 5.7L GEN III
 Suction / Discharge Hose Assembly
 To Chassis # xx4L190227xx
 92084236



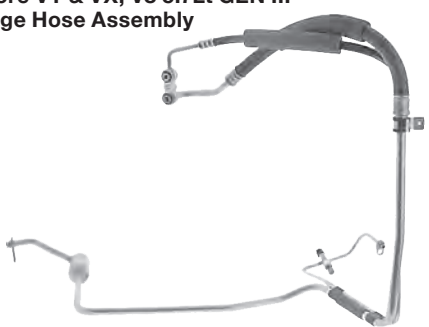
HO8263
 Holden Commodore VY, V8 5.7L GEN III
 Suction / Discharge Hose Assembly
 Chassis # xx4L190228xx to
 xx4L220843xx
 92169018



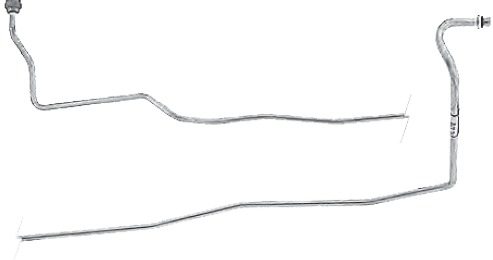
HO8264
 Holden Commodore VY, V8 5.7L GEN III
 Suction / Discharge Hose Assembly
 From Chassis # xx4L220844xx on
 92164180




HO8261
 Holden Commodore VT & VX, V8 5.7L GEN III
 Suction / Discharge Hose Assembly
 92116614




AL6318
 Holden Commodore VY, Monaro CV6, CV8
 Holden Statesman WK, 6 & 8 cyl
 Liquid Line, FDR - Evaporator
 92084238



AL6319
 Holden Commodore VT, VX, Monaro CV6, CV8
 Holden Statesman WH, 6 & 8 cyl
 Liquid Line, FDR - Evaporator
 92058722



HO8253A
 Holden Commodore VT, VX, V6, 9/97-9/02
 Suction / Discharge Hose Assembly
 Without Transducer
 92116613



HO8253

Holden Commodore VT, VX, V6, 9/97-9/02
Suction / Discharge Hose Assembly
With Transducer

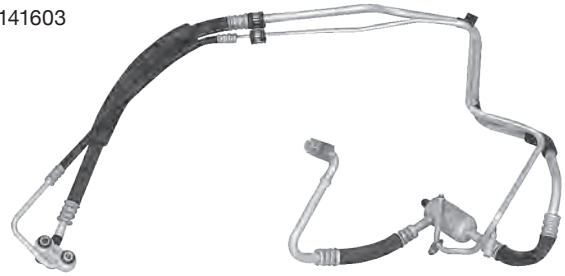
92141602



HO8254

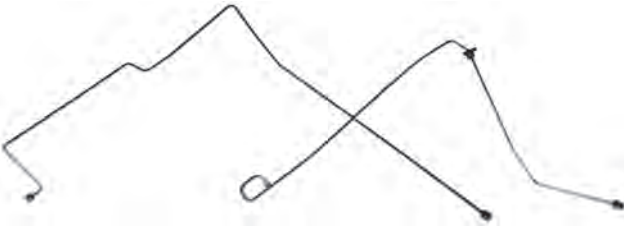
Holden Commodore VT, V8, 9/97-8/00
Suction / Discharge Hose Assembly

92141603



AL6315

Holden Commodore VR, VS, 6 & 8 cyl, 7/93-8/97
Liquid Line
(set of 2 replaces original 1 piece)



HO8251

Holden Commodore VR, VS, V6, 7/93-8/97
Discharge Hose

92042036



HO8256

Holden Commodore VR, VS, V8, 7/93-8/97
Discharge Hose

92052718



HO0437

Holden Commodore VN, VP, VG Ute, V6, 8/88-6/93
Holden Statesman VQ, V6, 11/91-2/94
Suction Hose



HO0868

Holden Commodore VN, VP, VG Ute, V6, 8/88-6/93
Holden Statesman VQ, V6, 11/91-2/94
Discharge Hose

92037511



HO4680

Holden Commodore VL, 6 cyl, 1/86-7/88
Suction Hose

92024026



HO4681

Holden Commodore VL, 6 cyl, 1/86-7/88
Discharge Hose



HO4563

Holden Commodore VK, 6 cyl
Suction Hose



DIRECT REPLACEMENT HOSE & LINE

HO4565

Holden Commodore VK, 6 cyl
Discharge Hose

92023224



HO8036

Holden Rodeo TF, Turbo Diesel
Discharge Hose

VS20883, VS18378



Hyundai

AL2004

Hyundai Excel X3, 95-96
Liquid Line, Cond - FDR

97761-22000



HO0175

Hyundai Excel X3, 94-95
Discharge Hose

2 Piece
97760-22100



HO0175A

Hyundai Excel X3
Discharge Hose

1 Piece



AL5088

Hyundai Lantra
Liquid Line, Cond - FDR



HO0142

Hyundai Sonata
Discharge Hose



Mazda

AL0477

Mazda 121, 00-04
Liquid Line, Cond - FDR



DIRECT REPLACEMENT HOSE & LINE

AL0937
Mazda 121 Metro, DW2
Liquid Line

MAZAL0937



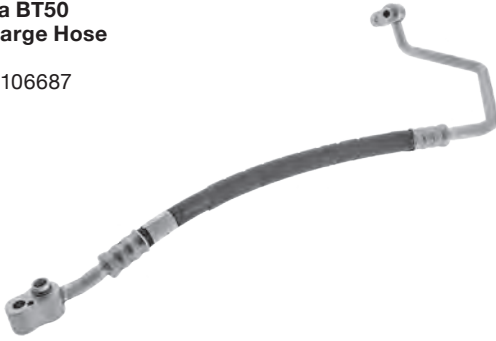
AL5390
Mazda 323 BJ, 1.6Lt, 9/98>
Liquid Line

MAC0855861



HO0477
Mazda BT50
Discharge Hose

MAC0106687



AL1032
Mazda MX-5, Turbo, 3/04-8/05
Liquid Line, Cond - FDR

MAZAL1032



AL0860
Mazda MX-5, with ABS
Liquid Line



HO0485
Mazda T Series, WH
Discharge Hose



Mercedes/Mitsubishi

AL2030
Mercedes M Class
Liquid Line, Cond - FDR

Suits CN6510



AL5513
Mitsubishi Magna TE, TF, TH, TJ, 4/96-7/03
Liquid Line, Cond - FDR



HO8248
Mitsubishi Magna TR, V6, 4/93-3/94
Mitsubishi Verada KR, V6, 7/91-3/94
Discharge Hose



DIRECT REPLACEMENT HOSE & LINE



Nissan

HO6542
Nissan Pulsar N13
Discharge Hose

92490J7511



HO6484
Nissan Pulsar N13
Suction Hose

92490J7510



HO8303K
Nissan Pulsar N15, 2.0Lt
Suction Hose / Discharge Hose
Suits Zexel compressor only



AL5174
Nissan Pulsar N15
Pipe Set

To suit CN5174



Toyota

HO0116
Toyota Camry SV21
Discharge Hose



AL8000
Toyota Corolla ZZE122R, 12/01-4/07
Evaporator Pipe Set



AL8003
Toyota Corolla ZZE122R, 12/01-4/07
Discharge Pipe



AL8005
Toyota Corolla ZZE122R Hatch, 12/01-4/07
Liquid Line



DIRECT REPLACEMENT HOSE & LINE

AL8006

Toyota Corolla ZZE122R Sedan, 12/01-4/07
Liquid Line



AL8007

Toyota Corolla ZZE122R Sedan, 12/01-4/07
Liquid Line



HO8001

Toyota Corolla ZZE122R, 12/01-4/07
Discharge Hose



HO8002

Toyota Corolla ZZE122R Sedan, 12/01-4/07
Suction Hose



HO8003

Toyota Corolla ZZE122R Hatch, 12/01-4/07
Suction Hose



HO0129

Toyota Corolla AE90, AE92, 1.4, 1.6, 1.8Lt
Discharge Hose, R134a



HO0128

Toyota Corolla AE90, AE92, 1.4, 1.6, 1.8Lt
Suction Hose, R134a



HO0149

Toyota Hilux TGN16R, 2.7Lt 4 cyl, 3/05>
Discharge Hose



HO0158

Toyota Hilux KUN16R, KUN26R, 3.0Lt Turbo, 3/05>
Discharge Hose



HO0157

Toyota Hilux GGN15R, GGN25R, 4.0Lt V6, 3/05>
Discharge Hose



DIRECT REPLACEMENT HOSE & LINE



AL8110
 Toyota Hilux, 3/05>
 Liquid Pipe
 No Pressure Switch



HO0153
 Toyota Landcruiser HZJ80, 5/90-2/98
 Suction Hose, R134a



HO0152
 Toyota Landcruiser HZJ80 & HDJ80, 5/90-2/98
 Discharge Hose, R134a




AL2011
 Toyota Landcruiser HZJ80 & HDJ80, 5/90-2/98
 Liquid Line




HO0154
 Toyota Landcruiser HDJ80, 5/90-2/98
 Suction Hose, R134a




AL2006
 Toyota Landcruiser FZJ80, HZJ80, HDJ80, 5/90-2/98
 Liquid Line
 With sight glass



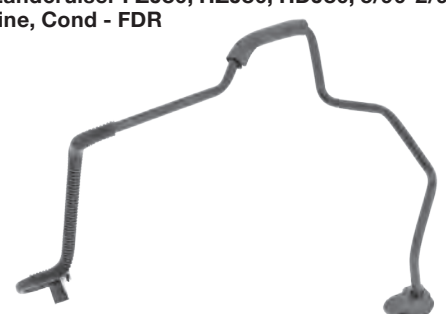
AL2008
 Toyota Landcruiser FZJ80, HZJ80, HDJ80, 5/90-2/98
 Suction Pipe




AL2009
 Toyota Landcruiser FZJ80, HZJ80, HDJ80, 5/90-2/98
 Suction Pipe



AL2010
 Toyota Landcruiser FZJ80, HZJ80, HDJ80, 5/90-2/98
 Liquid Line, Cond - FDR



AL2007
 Toyota Landcruiser FZJ80, 11/92-2/98
 Liquid Line



HO0150

Toyota Landcruiser FZJ80, 11/92-2/98
Discharge Hose, R134a



HO0151

Toyota Landcruiser FZJ80, 11/92-2/98
Suction Hose, R134a



AL0525

Toyota Landcruiser HJ75, HZJ75
Liquid Line, FDR - Evaporator
Cooltemp system



AL0526

Toyota Landcruiser HJ75, HZJ75
Suction Pipe
Cooltemp system



AL6540

Toyota Paseo EL54, 12/95-12/99
Liquid Line



HO9960

Toyota Paseo EL54, 12/95-12/99
Discharge Hose



AL6050

Toyota Paseo EL54, 12/95-12/99
Liquid Line



HO2560

Toyota Paseo EL54, 12/95-12/99
Discharge Hose



HO8070

Toyota Paseo EL54, 12/95-12/99
Discharge Hose



HO0160

Toyota Prado KZJ120R, 3/03-10/06
Discharge Hose



DIRECT REPLACEMENT HOSE & LINE

HO2182

Toyota Prado KDJ120R, 11/06-10/09
Discharge Hose



HO0159

Toyota Prado GRJ120R, 3/03-10/09
Discharge Hose



HO4090

Toyota Rav4 SXA10R, SXA11R, 7/94-9/00
Discharge Hose



AL0940

Toyota Starlet EP91R, 4/96-10/99
Liquid Line, FDR - Evaporator



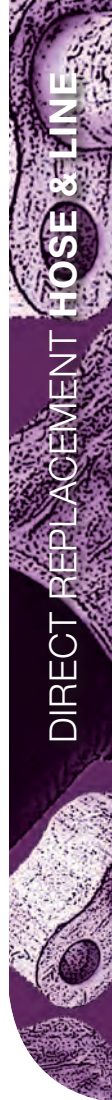
AL8150

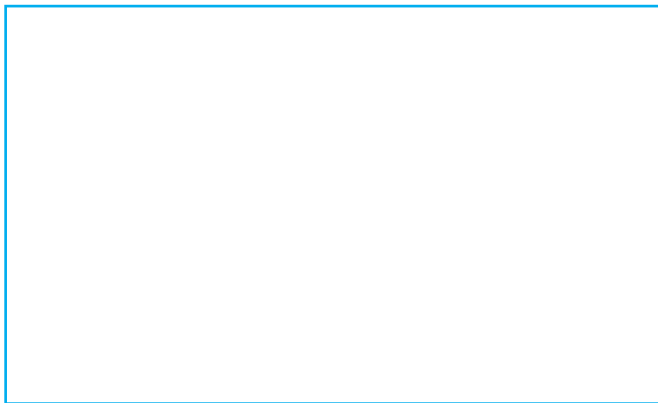
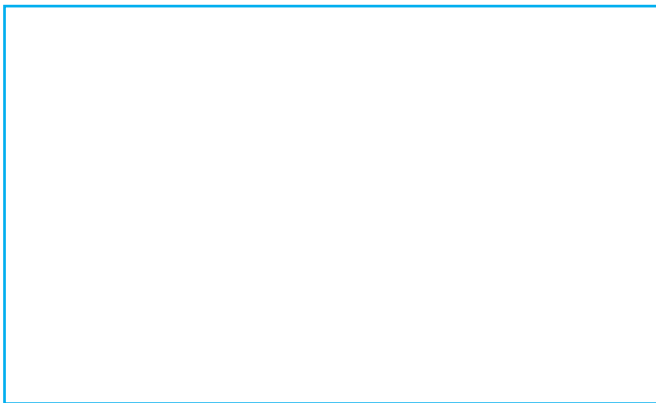
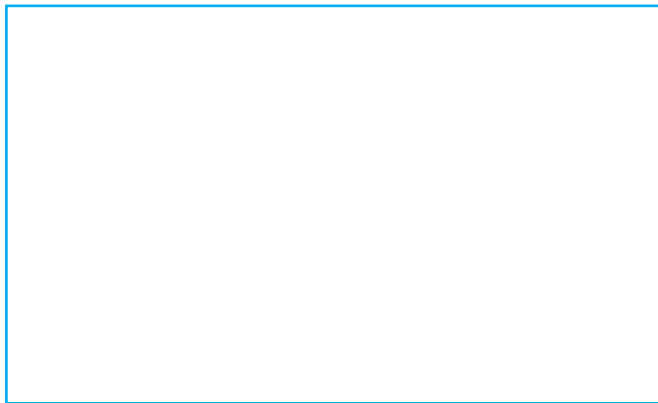
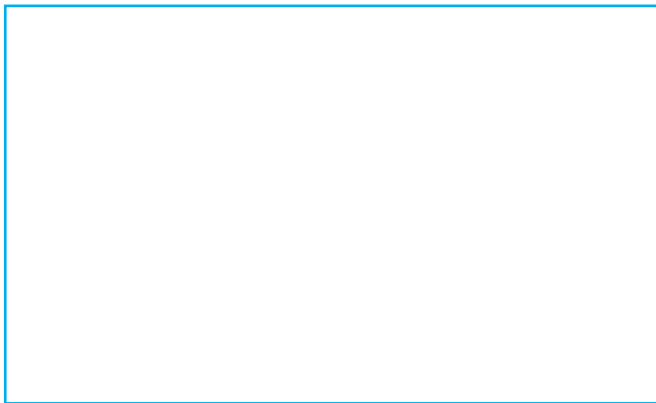
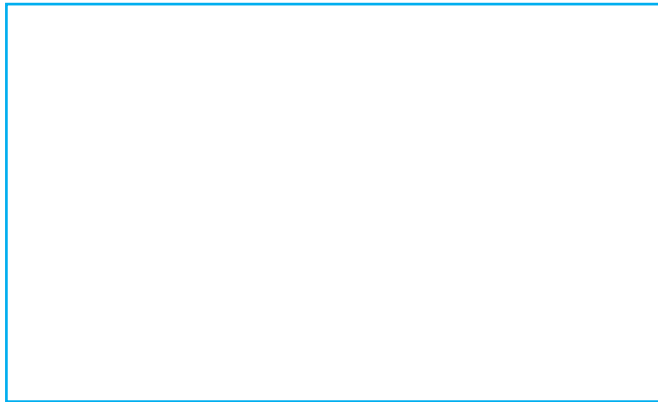
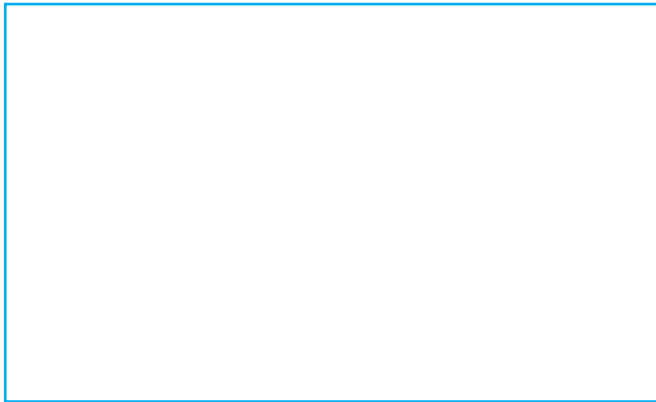
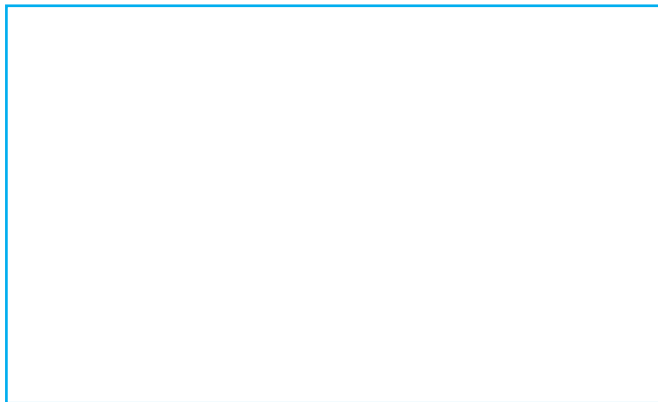
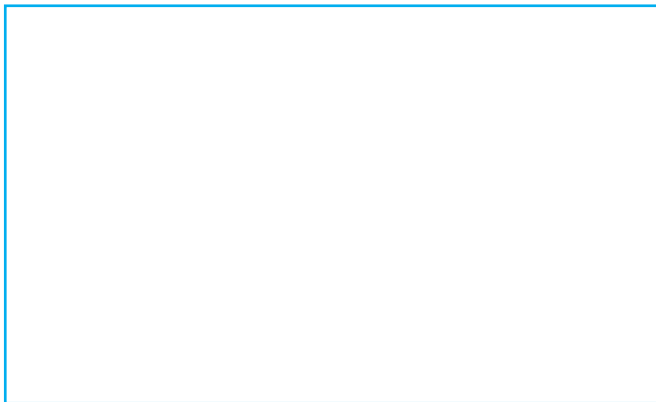
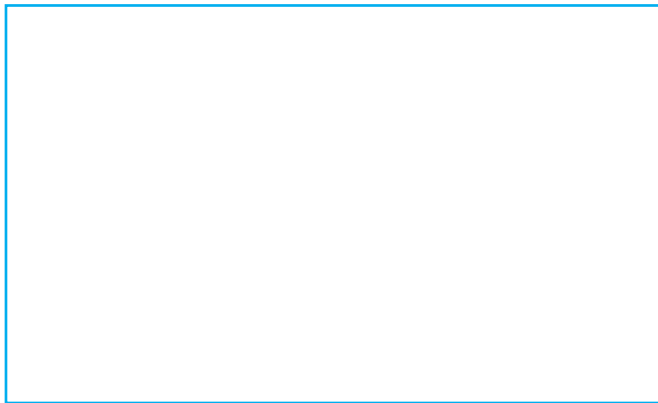
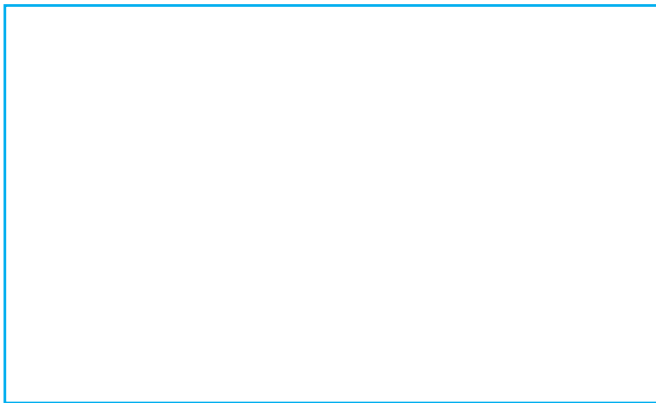
Toyota Starlet EP91R, 4/96-10/99
Liquid Line, Cond - FDR



HO4800

Toyota Starlet EP91R, 4/96-10/99
Discharge Hose





Universal Idler Pulleys

IP9710
A section

OD:
71mm
ID:
12mm
Material:
Steel



IP1710
A section

OD:
82mm
ID:
15mm
Material:
Steel



IP9711
A section

OD:
83mm
ID:
12mm
Material:
Steel



Also Available: IP9711K - with adjusting bolt

IP9703
A section

OD:
90mm
ID:
17mm
Material:
Steel



IP9702
A section

OD:
90mm
ID:
20mm
Material:
Steel



Also Available: IP9702K - with adjusting bolt

IP1019
A section

OD:
90mm
ID:
20mm
Material:
Steel



IP9701
A section

OD:
90mm
ID:
20mm
Material:
Nylon



IP9965
B section

OD:
90mm
ID:
17mm
Material:
Steel



IP9705
B section

OD:
90mm
ID:
20mm
Material:
Steel



Also Available: IP9705K - with adjusting bolt

UNIVERSAL IDLER PULLEYS

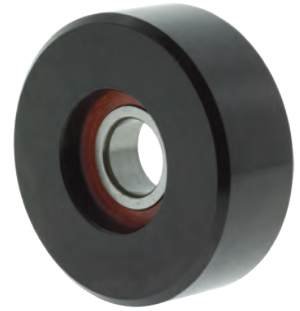
IP1020
B section

OD:
100mm
ID:
20mm
Material:
Nylon



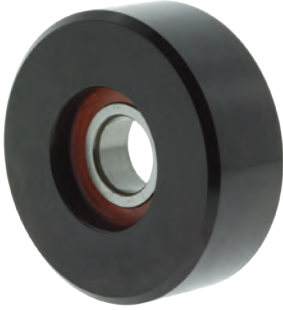
IP9725
Back Idler

OD:
66mm
ID:
17mm
Width:
25mm
Material:
Steel



IP9730
Back Idler

OD:
70mm
ID:
17mm
Width:
20mm
Material:
Steel



IP9970
Back Idler

OD:
71mm
ID:
17mm
Width:
25mm
Material:
Nylon



IP9715
Back Idler

OD:
73mm
ID:
12mm
Width:
20mm
Material:
Steel



IP9017
Back Idler

OD:
76mm
ID:
17mm
Width:
26mm
Material:
Nylon



IP9504
4 Polygroove

OD:
75mm
ID:
17mm
Material:
Steel



IP9002
4 Polygroove

OD:
75mm
ID:
17mm
Material:
Nylon



IP9505
5 Polygroove

OD:
75mm
ID:
17mm
Material:
Nylon



IP9516
6 Polygroove

OD:
75mm
ID:
17mm
Material:
Nylon



Direct Replacement Idler Pulleys

EP121
Ford Falcon BA, BF, FG, 6 cyl, 9/02>
Back Idler

OD:
76mm
ID:
17mm
Width:
26mm



Also Available: VEP121

IP9007
Ford Falcon BA, BF, V8, 9/02-4/08
Back Idler

OD:
76mm
ID:
17mm
Width:
31mm



EP009
Ford Falcon EF - FG, 6 cyl, 8/94>
Water Pump Pulley

OD:
104mm
ID:
18.9mm
Width:
39.5mm



EP010
Ford Falcon EF - FG, 6 cyl, 8/94>
Idler Pulley

Type:
6PV
OD:
76mm
ID:
17mm
Width:
27mm



Also Available: VEP010

EP008
Ford Falcon EA, EB, ED, 6 cyl, 3/88-8/94
Idler Pulley

OD:
82mm
ID:
17mm
Width:
20.2mm



Also Available: VEP008

IP9848
Ford Falcon EA, EB, ED, 6 cyl, 3/88-8/94
Back Idler

OD:
90mm
ID:
17mm
Width:
29mm



Also Available: EP007, VEP007

IP9847
Ford Falcon, Fairlane, Early V8
Idler Assembly



EP009
Ford Territory SX, SY, 5/04-4/11
Water Pump Pulley

OD:
104mm
ID:
18.9mm
Width:
39.5mm



EP010
Ford Territory SX, SY, 5/04-4/11
Idler Pulley

Type:
6PV
OD:
76mm
ID:
17mm
Width:
27mm



Also Available: VEP010

DIRECT REPLACEMENT IDLER PULLEYS

IP9017
Ford Transit
Back Idler

OD:
76mm
ID:
17mm
Width:
26mm



Also Available: EP002, VEP002

EP026
Holden Commodore VT - VE, V8, 9/97>
Idler Pulley

Type:
6PV
OD:
70mm
ID:
17mm
Width:
27mm



Also Available: VEP026

EP025
Holden Commodore VT - VE, V8, 9/97>
Back Idler

OD:
65mm
ID:
17mm
Width:
20mm



Also Available: VEP025

IP9722
Holden Commodore VT, V6, 9/97-10/00
Back Idler

OD:
90mm
ID:
17mm
Width:
27mm



Also Available: EP004, VEP004

EP030
Holden Commodore VS - VY, 3.8Lt V6, 4/95-7/04
Idler Pulley

Type:
6PV
OD:
76mm
ID:
17mm
Width:
27mm



Also Available: VEP030

EP003
Holden Commodore VS, V6 4/95-5/96
Idler Pulley

Type:
6PV
OD:
88mm
ID:
17mm
Width:
26mm



IP5000
Holden Commodore VN, VP, VR, V6, 8/88-4/95
Back Idler

OD:
82mm
ID:
17mm
Width:
25mm



Also Available: EP001, VEP001

EP006
Holden Commodore VB - VK, 6 cyl, 11/78-3/86
Idler Pulley - A/C


OD:
90mm
ID:
20mm
Width:
19mm



Also Available: VEP006


IP9715
Hyundai Excel, 94>

OD:
73mm
ID:
12mm
Width:
10mm



IP9713
Hyundai Sonata, V6, 92-93

OD:
78mm
ID:
12mm
Width:
16.5mm



IP1780
Toyota Dyna
Back Idler

OD:
50mm
ID:
15mm
Width:
21mm



IP1712
Toyota Hilux, KUN16R, KUN26R, 3/05>

OD:
80mm
ID:
12mm
Width:
28mm



IP9710
Toyota Landcruiser FZJ105
Idler Pulley

OD:
71mm
ID:
12mm
Width:
18.5mm



IP3230
Toyota Landcruiser HZJ78
Idler Pulley - A/C

OD:
82mm
ID:
12mm
Width:
18mm

Refer Also: EP065



EP065
Toyota Corolla AE82, Hiace, Hilux,
Landcruiser FJ45 - HZJ79

OD:
82mm
ID:
12mm
Width:
19mm

Also Available: VEP065



IP2160
Toyota Landcruiser HZJ105
Idler Pulley

OD:
83mm
ID:
12mm
Width:
18mm



IP4200
Toyota Landcruiser HDJ100
Idler Pulley

OD:
75mm
ID:
12mm
Width:
22mm



IP9017
Volvo
Back Idler

OD:
76mm
ID:
17mm
Width:
26mm

Also Available: EP002, VEP002



EC3014
Eccentric

Height:
22mm (7/8")



EC3016
Eccentric

Height:
25mm (1")



EC3018
Eccentric

Height:
28mm (1 1/8")



EC3020
Eccentric

Height:
32mm (1 1/4")



EC3022
Eccentric

Height:
35mm (1 3/8")



EC3024
Eccentric

Height:
38mm (1 1/2")



EC3026
Eccentric

Height:
41mm (1 5/8")



EC3028
Eccentric

Height:
44mm (1 3/4")



EC3030
Eccentric

Height:
47mm (1 7/8")




EC3032
Eccentric

Height:
50mm (2")




IP9720
Shoulder Bolt

Suits Bearing ID:
17mm



IP9721
Shoulder Bolt

Suits Bearing ID:
20mm




IP8735
Eye Bolt

Length:
35mm
Thread:
M10 x 1.25
Adj. Thread:
5/16" UNC




IP8750
Eye Bolt

Length:
50mm
Thread:
M10 x 1.25
Adj. Thread:
5/16" UNC




IP8751
Eye Bolt

Length:
35mm
Thread:
M10 x 1.25
Adj. Thread:
M8 x 1.25



IP8752
Eye Bolt

Length:
37mm
Thread:
M10 x 1.25
Adj. Thread:
M8 x 1.25




IP8510
Eye Bolt Nut

Thread:
M10 x 1.25



IP8000
Adjusting Bolt

Length:
100mm
Thread:
M8 x 1.25



IP8104
Adjusting Bolt

Length:
100mm
Thread:
5/16" UNC



IP8717
Idler Pulley Spacer

OD:
17mm
ID:
10mm
Length:
17.5mm
Shoulder Thickness:
6.5mm



IP8720
Idler Pulley Spacer

OD:
20mm
ID:
10mm
Length:
18.5mm
Shoulder Thickness:
5mm



IP8721
Idler Pulley Spacer

OD:
18.5mm
ID:
12mm
Length:
6mm
Shoulder Thickness:
3mm



IP8722
Idler Pulley Spacer

OD:
18.5mm
ID:
12mm
Length:
8mm
Shoulder Thickness:
5mm



Direct Replacement Idler Tensioners

IP0200
Ford Falcon EF, EL, XH XR6 Ute, 4.0Lt 6 cyl, 8/94-6/99
Ford Fairlane NF, NL, 4.0Lt 6 cyl, 3/95-2/99



IP0201
Ford Falcon XH, 4.0Lt 6 cyl, 3/96-6/99



IP0206
Holden Commodore VT, VX, VY, 3.8Lt V6, 9/97-7/04
Holden Statesman WH, 3.8Lt V6, 6/99-4/03



IP0205
Holden Commodore VS, 3.8Lt V6, 4/95-8/97
Holden Statesman VS, 3.8Lt V6, 4/95-6/99



EK8109
 Universal Compressor Bracket
 Rams Horn - Low Offset
 Pkt. 2



EKRAM
 Universal Compressor Bracket
 Rams Horn



EK1401
 Universal Conversion Bracket
 converts York to Sanden SD7H15



EKC002
 Universal Conversion Bracket
 converts York to Sanden SD7H15 - 6mm Plate



EKC006
 Universal Conversion Bracket
 converts York to Sanden SD7H15 - 8mm Plate



EK1403
 Holden V8 Adaptor Kit
 converts Delco, Harrison, Frigidaire, to Sanden SD7H15



EK1414
 Commodore VK 6 cyl Adaptor kit
 Fits CM3001 to standard bracket



EK1415
 Commodore VL 6 cyl Adaptor Kit
 Fits CM3001 to standard bracket



EK1408A
 Commodore VK, VL 6 cyl Bracket
 converts Sanden TR70 to Sanden SD7H15





LV2015

Louvre Size:
66.5mm dia.
Mounting Hole:
64mm dia.



Retaining clip supplied

LV2014

Louvre Size:
80mm dia.
Mounting Hole:
75mm dia.



Retaining clip supplied

LV3100
Red Dot 72R3100
Suits R-7830

Louvre Size:
95mm dia.
Mounting Hole:
85mm dia.



LV0006

Louvre Size:
107.5mm dia.
Mounting Hole:
97.5mm dia.



Retaining clip supplied

LV3200
Red Dot 72R3200
Suits R-6000, R-9727

Louvre Size:
120mm dia.
Mounting Hole:
113mm dia.



LV0157

Louvre Size:
120.6mm dia.
Mounting Hole:
117.4mm dia.



Retaining clip not supplied

LV0145

Louvre Size:
92.1mm dia.
Mounting Hole:
84.2mm dia.



Includes spring

LV3110
Red Dot 72R3110
Suits R-8515

Louvre Size:
104.5mm dia.
Mounting Hole:
85mm dia.



LV3150
Red Dot 72R3150

Louvre Size:
84.5mm dia.
Mounting Hole:
76mm dia.
Duct Hose Size:
55mm dia.



LV0002

Louvre Size:
86.5mm dia.
Mounting Hole:
82.5mm dia.



Retaining clip supplied

LV3120
Red Dot 72R3120
Suits R-2000

Louvre Size:
87mm dia.
Mounting Hole:
83mm dia.



Retaining clip supplied

LV0001

Louvre Size:
101mm dia. x 27mm
Mounting Hole:
79mm dia.
Duct Hose Size:
76mm dia.



LV0003

Louvre Size:
102mm dia. x 44mm
Mounting Hole:
85mm dia.
Duct Hose Size:
70mm dia.



LV0004

Louvre Size:
102mm dia. x 19mm
Mounting Hole:
85mm dia.
Duct Hose Size:
76mm dia.



LV3130
Red Dot 72R3130

Louvre Size:
102mm dia.
Mounting Hole:
82.5mm dia.



LV0018

Louvre Size:
102mm dia.
Mounting Hole:
82.5mm dia.



Retaining clip supplied

LV0019

Louvre Size:
117mm dia.
Mounting Hole:
97mm dia.



Retaining clip supplied

LV1017

Louvre Size:
121mm dia. x 29mm
Mounting Hole:
100mm dia.



LV2023
Sonora Grande

Louvre Size:
121mm dia. x 22mm
Mounting Hole:
101mm dia.



LV0128

Louvre Size:
68.5mm dia.
Mounting Hole:
63.5mm dia.
Duct Hose Size:
63.5mm dia.





LV0224

Louvre Size:
69.8mm dia.
Mounting Hole:
63.5mm dia.



LV0448

Louvre Size:
69.8mm dia.
Mounting Hole:
63.5mm dia.



LV0478

Louvre Size:
69.8mm dia.
Mounting Hole:
63.5mm dia.



LV0649

Louvre Size:
69.8mm dia.
Mounting Hole:
63.5mm dia.



LV2550
Red Dot 72R2550

Louvre Size:
68.5mm dia.
Mounting Hole:
63.5mm dia.



Retaining ring not supplied

LV1008

Louvre Size:
69mm dia. x 37mm
Mounting Hole:
63.5mm dia.
Duct Hose Size:
61.5mm dia.



LV1016

Louvre Size:
69mm dia. x 13mm
Mounting Hole:
63.5mm dia.



LV0584

Louvre Size:
82.5mm dia.
Mounting Hole:
76.2mm dia.



LV0593

Louvre Size:
82.5mm dia.
Mounting Hole:
76.2mm dia.



LV3035
Formula King, Microbus
Suits EV2206, EV2207,
EV3007, EV3009

Louvre Size:
104mm x 52.5mm



LV1005

Louvre Size:
90mm x 50mm
Mounting Hole:
82mm x 44mm
Duct Hose Size:
75mm x 42mm



LV1007

Louvre Size:
90mm x 50mm
Mounting Hole:
93mm x 50mm
Duct Hose Size:
75mm x 42mm



LV0000

Louvre Size:
100mm x 62mm x 24mm
Mounting Hole:
94.5mm x 58.5mm



LV0223

Louvre Size:
131.7mm x 54.7mm
Mounting Hole:
125.4mm x 31.7mm



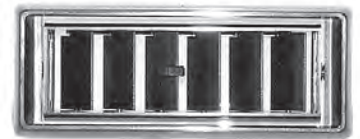
LV0561

Louvre Size:
136.5mm x 54.7mm
Mounting Hole:
120.6mm x 50.8mm



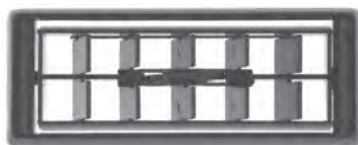
LV1802

Louvre Size:
139mm x 56mm
Mounting Hole:
130mm x 46mm



LV2140
Red Dot 72R2140

Louvre Size:
140mm x 56mm
Mounting Hole:
130mm x 46mm



LV0575

Louvre Size:
146mm x 63.5mm
Mounting Hole:
120.6mm x 50.8mm



LV2250
Red Dot 72R2250
Suits R-8515

Louvre Size:
153mm x 47mm
Mounting Hole:
148mm x 45mm



LV2300
Red Dot 72R2300
Suits R-2000, R-9715

Louvre Size:
195mm x 82mm
Mounting Hole:
160mm x 62mm





LV0289

Louvre Size:
247.6mm x 95.2mm
Mounting Hole:
215.9mm x 74.6mm



LV3157
Red Dot 72R3157
Suits R-270

Louvre Size:
90mm x 90mm
Mounting Hole:
68mm dia.



LV1004

Louvre Size:
162mm x 44mm
Mounting Hole:
163mm x 45mm
Duct Hose Size:
75mm x 42mm



LV1006

Louvre Size:
198mm x 66mm
Mounting Hole:
180mm x 50mm
Duct Hose Size:
75mm x 42mm



LV1047

Louvre Size:
200mm x 100mm
Mounting Hole:
175mm x 78mm
Duct Hose Size:
68mm dia.



LV1001

Louvre Size:
180mm x 96mm
Mounting Hole:
149mm x 66mm



Black

LV1002

Louvre Size:
180mm x 96mm
Mounting Hole:
149mm x 66mm



Grey

LV1011

Louvre Size:
180mm x 96mm
Mounting Hole:
149mm x 66mm



Beige

LV0121

Louvre Size:
195mm x 97mm
Mounting Hole:
160mm x 80mm



LV1003

Louvre Size:
193mm x 193mm
Mounting Hole:
180mm x 180mm



2 x Reading lamps

LV1020
Demist Duct

Opening Size:
130mm x 10mm
Duct Hose Size:
42mm dia.



Suits Sirocco heater

LV1018
Demist Duct

Opening Size:
150mm x 10mm
Duct Hose Size:
57mm dia.



LV3040
72R3000

Louvre Size:
251mm x 38mm
Mounting Hole:
217mm x 29mm



LV3550
72R3550

Mounting Plate Size:
135mm x 135mm
Mounting Hole:
102mm x 102mm
Duct Hose Size:
89mm dia.



LV3600
72R3600

Duct Hose Size:
63mm



LV5546
Louvre Retaining Clip -
Push On





SP7044
Duct Adaptor

Duct Hose Size:
57mm dia.

SP7045
Duct Adaptor

Duct Hose Size:
63mm dia.

SP7046
Duct Adaptor

Duct Hose Size:
63mm dia.

SP9033-2
Flexible Duct Hose

Diameter:
50mm
Length:
2m

Also Available:
SP9033-5 (5m)
SP9033-10 (10m)

SP9034-2
Flexible Duct Hose

Diameter:
57mm
Length:
2m

Also Available:
SP9034-5 (5m)
SP9034-10 (10m)

SP9035-2
Flexible Duct Hose

Diameter:
63mm
Length:
2m

Also Available:
SP9035-5 (5m)
SP9035-10 (10m)

Notes

Lined area for notes

Manufacturer	Model	Type	Specification	OE PAG Oil Part Number	PAG Oil Part Number	ESTER Oil Part Number	Oil Capacity
Atsugi	NVR140	Rotary Vane	PAG II - (ISO 100)		OG6810	OG6001	200ml
Bosch/Behr	DK14	Rotary Vane	PAG II - (ISO 100)		OG6810	OG6001	200ml
Calsonic	CR10, CR14	Swash Plate	PAG II - (ISO 100)		OG6810	OG6001	200ml
	CWV615M	Swash Plate	PAG II - (ISO 100)		OG6810	OG6001	200ml
	CWV617	Swash Plate	PAG II - (ISO 100)		OG6810	OG6001	200ml
	CSV613	Swash Plate	PAG II - (ISO 100)		OG6810	OG6001	150ml
	DKV11D	Swash Plate	PAG II - (ISO 100)		OG6810	OG6001	200ml
	DKV14C	Swash Plate	PAG II - (ISO 100)		OG6810	OG6001	200ml
Centrola	FS507/8	Swash Plate	PAG I - (ISO 46)		OG6812	OG6001	130ml
	FS607	Swash Plate	PAG I - (ISO 46)		OG6812	OG6001	130ml
	CPR Series	Swash Plate	PAG I - (ISO 46)		OG6812	OG6001	140ml
Chrysler	V2	Reciprocating 2 cyl	PAG II - (ISO 100)		OG6810	OG6001	227ml
Clarion	CPR/W	Swash Plate 10 cyl	PAG I - (ISO 46)		OG6812	OG6001	140ml
		Wankel Rotary Vane	PAG II - (ISO 100)		OG6810	OG6001	150ml
Delco/Frigidaire	A6 (R12)	Swash Plate 6 cyl	PAG III - (ISO 150)		OG6822*	OG6001	284ml
	A6 (R134a)	Swash Plate 6 cyl	PAG III - (ISO 150)		OG6822*	OG6001	284ml
	R4	Rotary Vane 4 cyl	PAG III - (ISO 150)		OG6822	OG6001	170ml
	V5/V6	Wobble Plate	PAG III - (ISO 150)		OG6822	OG6001	225ml
Delphi	CVC	Variable Disp	PAG II - (ISO 100)		OG6810	OG6001	220ml
	HR6	Variable Disp	PAG II - (ISO 100)		OG6810	OG6001	237ml
	V5 Commodore > June 00	Variable Disp	PAG III - (ISO 150)		OG6822	OG6001	220ml
	V7 Commodore > June 00	Variable Disp	PAG III - (ISO 150)		OG6822*	OG6001	265ml
	SP10	Swash Plate	PAG I - (ISO 46)		OG6812	OG6001	150ml
	SP15	Swash Plate	PAG I - (ISO 46)		OG6812	OG6001	230ml
	SP17	Swash Plate	PAG I - (ISO 46)		OG6812	OG6001	230ml
	SP21	Swash Plate	PAG I - (ISO 46)		OG6812	OG6001	230ml
DENSO	6D152	Swash Plate 6 cyl	PAG I - (ISO 46)	OG8040	OG6812*	OG6001	350ml
	6E171	Swash Plate	PAG I - (ISO 46)	OG8040	OG6812*	OG6001	280ml
	6E171A	Swash Plate	PAG I - (ISO 46)	OG8040	OG6812*	OG6001	280ml
	Note: Most 6P models R12 (150ml)						
	6P80C	Swash Plate 6 cyl	PAG I - (ISO 46)	OG8040	OG6812	OG6001	170ml
	6P127A	Swash Plate 6 cyl	PAG I - (ISO 46)	OG8040	OG6812	OG6001	155ml
	6P127D	Swash Plate 6 cyl	PAG I - (ISO 46)	OG8040	OG6812	OG6001	100ml
	6P134	Swash Plate	PAG I - (ISO 46)	OG8040	OG6812	OG6001	230ml
	6P148	Swash Plate 6 cyl	PAG I - (ISO 46)	OG8040	OG6812	OG6001	170ml
	6SBU16C	Electric Variable	PAG I - (ISO 46)	OG8040	OG6812	OG6001	170ml
	6SEU12C	Electric Variable	PAG I - (ISO 46)	OG8040	OG6812	OG6001	180ml
	6SEU14	Electric Variable	PAG I - (ISO 46)	OG8040	OG6812	OG6001	105ml

Manufacturer	Model	Type	Specification	OE PAG Oil Part Number	PAG Oil Part Number	ESTER Oil Part Number	Oil Capacity
DENSO	6SEU16	Electric Variable	PAG I - (ISO 46)	OG8040	OG6812	OG6001	145ml
	7SBU16C	Swash Plate	PAG I - (ISO 46)	OG8040	OG6812	OG6001	145ml
	7SBU16H	Swash Plate	PAG I - (ISO 46)	OG8040	OG6812	OG6001	145ml
	7SBU17C	Swash Plate	PAG I - (ISO 46)	OG8040	OG6812	OG6001	145ml
	7SEH17C	Electric Variable	PAG I - (ISO 46)	OG8040	OG6812	OG6001	145ml
	7SEU16C	Electric Variable	PAG I - (ISO 46)	OG8040	OG6812	OG6001	145ml
	7SEU17C	Electric Variable	PAG I - (ISO 46)	OG8040	OG6812	OG6001	145ml
	7SEU16	Electric Variable	PAG I - (ISO 46)	OG8040	OG6812	OG6001	145ml
	ES14C	Hybrid	ND11	OG8011	OG8000		145ml
	ES18C	Hybrid	ND11	OG8011	OG8000		145ml
	ES27C	Hybrid	ND11	OG8011	OG8000		145ml
	10P08	Swash Plate	PAG I - (ISO 46)	OG8040	OG6812	OG6001	100ml
	10P13	Swash Plate 10 cyl	PAG I - (ISO 46)	OG8040	OG6812	OG6001	100ml
	10P15	Swash Plate 10 cyl	PAG I - (ISO 46)	OG8040	OG6812	OG6001	100ml
	10PA15	Swash Plate 10 cyl	PAG I - (ISO 46)	OG8040	OG6812	OG6001	100ml
	10P17	Swash Plate 10 cyl	PAG I - (ISO 46)	OG8040	OG6812	OG6001	100ml
	10PA17	Swash Plate 10 cyl	PAG I - (ISO 46)	OG8040	OG6812	OG6001	100ml
	10P25C	Swash Plate 10 cyl	PAG I - (ISO 46)	OG8040	OG6812*	OG6001	400ml
	10P30C	Swash Plate 10 cyl	PAG I - (ISO 46)	OG8040	OG6812*	OG6001	400ml
6C500c	Reciprocating 6 cyl	PAG I - (ISO 46)	OG8040	OG6812*	OG6001	1800ml	
TV-10	Rotary Vane	PAG II - (ISO 100)	OG9040	OG6810	OG6001	140ml	
TV-14	Rotary Vane	PAG II - (ISO 100)	OG9040	OG6810	OG6001	140ml	
SC06C	Scroll	PAG I - (ISO 46)	OG8040	OG6812	OG6001	75ml	
SC08C	Scroll	PAG I - (ISO 46)	OG8040	OG6812	OG6001	75ml	
SCSA06C	Scroll	PAG I - (ISO 46)	OG8040	OG6812	OG6001	75ml	
SCSA08C	Scroll	PAG I - (ISO 46)	OG8040	OG6812	OG6001	75ml	
2C90	Reciprocating 2 cyl	PAG II - (ISO 100)		OG6810*	OG6001	240ml	
2M110	Reciprocating 2 cyl	PAG I - (ISO 46)	OG8040	OG6812*	OG6001	250ml	
2M110B	Reciprocating 2 cyl	PAG I - (ISO 46)	OG8040	OG6812*	OG6001	240ml	
SV07	Rotary Vane	PAG I - (ISO 46)	OG8040	OG6812	OG6001	100ml	
Diesel Kiki	DKS12	Swash Plate 6 cyl	PAG I - (ISO 46)		OG6812	OG6001	150ml
(Zexel)	DKS13	Swash Plate 6 cyl	PAG I - (ISO 46)		OG6812	OG6001	120ml
	DKS15	Swash Plate 6 cyl	PAG I - (ISO 46)		OG6812	OG6001	150ml
	DKS16	Swash Plate	PAG I - (ISO 46)		OG6812	OG6001	200ml
	DKS17	Swash Plate	PAG I - (ISO 46)		OG6812	OG6001	200ml
	DKV-14C	Rotary Vane	PAG II - (ISO 100)		OG6810	OG6001	200ml
	DKV-14D	Rotary Vane	PAG II - (ISO 100)		OG6810	OG6001	200ml
	DCW	Wobble Plate	PAG I - (ISO 46)		OG6812	OG6001	200ml
	DCW-17	Wobble Plate	PAG I - (ISO 46)		OG6812	OG6001	200ml
Ford	FX 10-15 YN12a	Swash Plate	PAG I - (ISO 46)		OG6812	OG6001	170ml

Manufacturer	Model	Type	Specification	OE PAG Oil Part Number	PAG Oil Part Number	ESTER Oil Part Number	Oil Capacity
Hadsys	TRF90 style	Turbo Rotary Scroll	PAG II - (ISO 100)		OG3756	OG6001	135ml
Halla Clim. Con	FS10, FX15	Swash Plate	PAG I - (ISO 46)		OG6812	OG6001	170ml
	FS10	Swash Plate	PAG I - (ISO 46)		OG6812	OG6001	170ml
	FS20	Swash Plate	PAG I - (ISO 46)		OG6812	OG6001	170ml
	HS11	Swash Plate	PAG I - (ISO 46)		OG6812	OG6001	170ml
	HS15	Swash Plate	PAG I - (ISO 46)		OG6812	OG6001	170ml
	HS17	Swash Plate	PAG I - (ISO 46)		OG6812	OG6001	170ml
	HS18	Swash Plate	PAG I - (ISO 46)		OG6812	OG6001	170ml
	HS20	Swash Plate	PAG I - (ISO 46)		OG6812	OG6001	170ml
Hitachi	MJS130/170	Swash Plate 6 cyl	PAG I - (ISO 46)		OG6812	OG6001	170ml
	MJ123/MJ167	Swash Plate	PAG I - (ISO 46)		OG6812	OG6001	200ml
	SWP123, SWP167	Swash Plate	PAG I - (ISO 46)		OG6812*	OG6001	250ml
Keihin	AN150/CN150	Rotary Vane	PAG II - (ISO 100)		OG6810	OG6001	150ml
Matsushita	S1150	Rotary Vane	PAG I - (ISO 46)		OG6812	OG6001	135ml
Nihon	NVR140	Rotary Vane	PAG II - (ISO 100)		OG6810	OG6001	200ml
Panasonic	SA1150AA4 (R12)	Rotary Vane	PAG I - (ISO 46)	OG3755	OG6812	OG6001	140ml
	SA1150AA4 (R134a)	Rotary Vane	PAG I - (ISO 46)	OG3755	OG6812	OG6001	140ml
	N1300, N1500	Rotary Vane	PAG I - (ISO 46)	OG3755	OG6812	OG6001	135ml
Sanden	SD505	Wobble Plate 5 cyl	PAG II - (ISO 100)	OG3756	OG6810	OG6001	100ml
	SD507 TXV System	Wobble Plate 5 cyl	PAG II - (ISO 100)	OG3756	OG6810	OG6001	135ml
	SD507 OT System	Wobble Plate 5 cyl	PAG II - (ISO 100)	OG3756	OG6810*	OG6001	240ml
	SD508	Wobble Plate 5 cyl	PAG II - (ISO 100)	OG3756	OG6810	OG6001	175ml
	SD510 TXV System	Wobble Plate 5 cyl	PAG II - (ISO 100)	OG3756	OG6810	OG6001	135ml
	SD510 OT System	Wobble Plate 5 cyl	PAG II - (ISO 100)	OG3756	OG6810*	OG6001	240ml
	SD708, SD709 TXV System	Wobble Plate 7 cyl	PAG II - (ISO 100)	OG3756	OG6810	OG6001	135ml
	SD708, SD709 OT System	Wobble Plate 7 cyl	PAG II - (ISO 100)	OG3756	OG6810*	OG6001	240ml
	SD5H09	Wobble Plate 5 cyl	PAG I - (ISO 46)	OG3755	OG6812	OG6001	100ml
	SD5H11	Wobble Plate 5 cyl	PAG I - (ISO 46)	OG3755	OG6812	OG6001	175ml
	SD5H14	Wobble Plate 5 cyl	PAG I - (ISO 46)	OG3755	OG6812	OG6001	175ml
	SD7B10	Wobble Plate 7 cyl	PAG I - (ISO 46)	OG3755	OG6812	OG6001	100ml
	SD7H13 TXV System	Wobble Plate 7 cyl	PAG II - (ISO 100)	OG3756	OG6810	OG6001	135ml
	SD7H13 OT System	Wobble Plate 7 cyl	PAG II - (ISO 100)	OG3756	OG6810*	OG6001	240ml
	SD7H15 TXV System	Wobble Plate 7 cyl series 4-7	PAG II - (ISO 100)	OG3756	OG6810	OG6001	135ml
	SD7H15 OT System	Wobble Plate 7 cyl series 4-7	PAG II - (ISO 100)	OG3756	OG6810*	OG6001	240ml

Manufacturer	Model	Type	Specification	OE PAG Oil Part Number	PAG Oil Part Number	ESTER Oil Part Number	Oil Capacity
Sanden	SD7H15 TXV System	Wobble Plate 7 cyl series 8	PAG I - (ISO 46)	OG3755	OG6812	OG6001	135ml
	SD7H15 OT System	Wobble Plate 7 cyl series 8	PAG I - (ISO 46)	OG3755	OG6812*	OG6001	240ml
	TR70	Turbo Rotary Scroll	PAG I - (ISO 46)	OG3755	OG6812	OG6001	150ml
	TR90	Turbo Rotary Scroll	PAG I - (ISO 46)	OG3755	OG6812	OG6001	150ml
	TRS090	Turbo Rotary Scroll	PAG I - (ISO 46)	OG3755	OG6812	OG6001	150ml
	TRF105	Turbo Rotary Scroll	PAG I - (ISO 46)	OG3755	OG6812	OG6001	150ml
	TRF105 (Accum Sys)	Turbo Rotary Scroll	PAG I - (ISO 46)	OG3755	OG6812	OG6001	200ml
	TRS105	Turbo Rotary Scroll	PAG I - (ISO 46)	OG3755	OG6812	OG6001	150ml
	TRSA09	Turbo Rotary Scroll	PAG I - (ISO 46)	OG3755	OG6812	OG6001	150ml
	TRSA11	Turbo Rotary Scroll	PAG I - (ISO 46)	OG3755	OG6812	OG6001	150ml
	TRSA12	Turbo Rotary Scroll	PAG I - (ISO 46)	OG3755	OG6812	OG6001	150ml
	TRSE07	Turbo Rotary Scroll	PAG I - (ISO 46)	OG3755	OG6812	OG6001	150ml
	TRSE09	Turbo Rotary Scroll	PAG I - (ISO 46)	OG3755	OG6812	OG6001	150ml
	SD6V16	Variable Disp. Wobble Plate-7 cyl	PAG I - (ISO 46)	OG3755	OG6812	OG6001	150ml
	SD7V12	Variable Disp. Wobble Plate-7 cyl	PAG I - (ISO 46)	OG3755	OG6812	OG6001	150ml
SD7V16	Variable Disp. Wobble Plate-7 cyl	PAG I - (ISO 46)	OG3755	OG6812	OG6001	150ml	
Seltec	TM-13/15	Wobble Plate	PAG I - (ISO 46)		OG6812	OG6001	150ml
	TM-16	Wobble Plate	PAG I - (ISO 46)		OG6812	OG6001	180ml
Seiko Seiki	SS110 (R12)	Rotary Vane	PAG II - (ISO 100)		OG6810	OG6001	200ml
	SS140 (R12)	Rotary Vane	PAG II - (ISO 100)		OG6810	OG6001	200ml
	SS170 (R12)	Rotary Vane	PAG II - (ISO 100)		OG6810	OG6001	200ml
	SS110P	Rotary Vane	PAG II - (ISO 100)		OG6810	OG6001	170ml
	SS140P	Rotary Vane	PAG II - (ISO 100)		OG6810	OG6001	200ml
	SS170P	Rotary Vane	PAG II - (ISO 100)		OG6810	OG6001	200ml
	SS805T/806	Rotary Vane	PAG II - (ISO 100)		OG6810	OG6001	150ml
	SS850/PSV	Rotary Vane	PAG II - (ISO 100)		OG6810	OG6001	200ml
Tama	TM-08/13/14	Swash Plate	PAG I - (ISO 46)		OG6812	OG6001	150ml
	TM-16	Swash Plate	PAG I - (ISO 46)		OG6812	OG6001	180ml
	TM-26	Swash Plate	PAG I - (ISO 46)		OG6812*	OG6001	600ml
	TM-32	Swash Plate	PAG I - (ISO 46)		OG6812*	OG6001	600ml
Tecumseh	HG1000, HGS, HGB	Reciprocating 2 cyl	PAG I - (ISO 46)		OG6812*	OG6001	320ml
Unicla	DA299	Reciprocating 2 cyl	PAG I - (ISO 46)	OG7008	OG6812*	OG6001	300ml
	DC120	Reciprocating 2 cyl	PAG I - (ISO 46)	OG7008	OG6812*	OG6001	300ml
	TC170	Swash Plate 10 cyl	PAG I - (ISO 46)	OG7008	OG6812	OG6001	150ml
	UC45/90	Swash Plate 10 cyl	PAG I - (ISO 46)	OG7008	OG6812	OG6001	150ml
	UP90	Swash Plate 10 cyl	PAG I - (ISO 46)	OG7008	OG6812	OG6001	150ml
	UPS105/107	Swash Plate 10 cyl	PAG I - (ISO 46)	OG7008	OG6812	OG6001	140ml

Manufacturer	Model	Type	Specification	OE PAG Oil Part Number	PAG Oil Part Number	ESTER Oil Part Number	Oil Capacity
Unicla	UPS108	Swash Plate 10 cyl	PAG I - (ISO 46)	OG7008	OG6812	OG6001	150ml
	UPS109	Swash Plate 10 cyl	PAG I - (ISO 46)	OG7008	OG6812	OG6001	150ml
	UP110	Swash Plate 10 cyl	PAG I - (ISO 46)	OG7008	OG6812	OG6001	150ml
	UP/UX120	Swash Plate 10 cyl	PAG I - (ISO 46)	OG7008	OG6812	OG6001	150ml
	UP/UX150	Swash Plate 10 cyl	PAG I - (ISO 46)	OG7008	OG6812	OG6001	150ml
	UP/UX170	Swash Plate 10 cyl	PAG I - (ISO 46)	OG7008	OG6812	OG6001	150ml
	UP/UX200	Swash Plate 10 cyl	PAG I - (ISO 46)	OG7008	OG6812	OG6001	180ml
	UX260/310	Swash Plate 10 cyl	PAG I - (ISO 46)	OG7008	OG6812*	OG6001	500ml
	UPF150/170	Swash Plate 10 cyl	PAG I - (ISO 46)	OG7008	OG6812	OG6001	150ml
	V120/150	Swash Plate 10 cyl	PAG I - (ISO 46)	OG7008	OG6812	OG6001	150ml
	VA150	Swash Plate 10 cyl	PAG I - (ISO 46)	OG7008	OG6812	OG6001	150ml
	VA170	Swash Plate 10 cyl	PAG I - (ISO 46)	OG7008	OG6812	OG6001	150ml
	Y170	Swash Plate 10 cyl	PAG I - (ISO 46)	OG7008	OG6812	OG6001	150ml
	Z150/170	Swash Plate 10 cyl	PAG I - (ISO 46)	OG7008	OG6812	OG6001	150ml
	Valeo	DCS17E	Electric Variable	PAG I - (ISO 46)		OG6812	OG6001
DCS17EC		Electric Variable	PAG I - (ISO 46)		OG6812	OG6001	145ml
DCS17IC		Electric Variable	PAG I - (ISO 46)		OG6812	OG6001	145ml
York	206 (6") (R12) Standard	Reciprocating 2 cyl	PAG I - (ISO 46)		OG6812*	OG6001	285ml
	E209	Reciprocating 2 cyl	PAG I - (ISO 46)		OG6812*	OG6001	285ml
	E210 (10")	Reciprocating 2 cyl	PAG I - (ISO 46)		OG6812*	OG6001	341ml
	E209/210 (H/D)	Reciprocating 2 cyl	PAG I - (ISO 46)		OG6812*	OG6001	341ml
	E209/210 (H/D)	Reciprocating 2 cyl	PAG I		OG6812	OG6001	341ml

Zexel (See Diesel Kiki)

Oil Capacity and oil specification is only a guide and please consult the compressor label or the compressor manufactures service information for the recommended oil quantity and type also please undertake the correct Compressor Drain / Refill procedure.

Note: Oil Balancing is critical when replacing compressors or any other component that may contain oil.

***Note: Compressor Oil Capacity exceeds 237ml. Refer following page for all available Pag Oil container volumes**

OG6327 237ml
OG6001 1 Litre
OG6004 4 Litre
Ester Oil

A high quality synthetic lubricant suitable for use in R12, R134a & HFO-1234yf systems.



OG6001UV
Ester Oil with UV Dye

A high quality synthetic lubricant suitable for use in R12, R134a & HFO-1234yf systems.

1 Litre



OG6812 237ml
OG6863 1 Litre
OG6868 4 Litre
PAG I - ISO 46 Oil

For use in R134a & HFO-1234yf applications where a low viscosity lubricant is required.



OG6812UV
PAG I - ISO 46 Oil with UV Dye

237ml

For use in R134a & HFO-1234yf applications where a low viscosity lubricant is required.



OG6810 237ml
OG6860 1 Litre
PAG II - ISO 100 Oil with UV Dye

For use in R134a & HFO-1234yf applications where a medium viscosity lubricant is required.



OG6810UV 237ml
PAG II - ISO 100 Oil with UV Dye

For use in R134a & HFO-1234yf applications where a medium viscosity lubricant is required.



OG6822 237ml
OG6864 1 Litre
PAG III - ISO 150 Oil

For use in R134a & HFO-1234yf applications where a high viscosity lubricant is required.

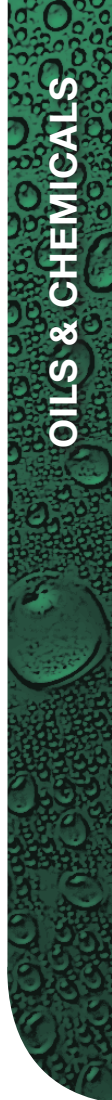


OG6822UV
PAG III - ISO 150 Oil with UV Dye

For use in R134a & HFO-1234yf applications where a high viscosity lubricant is required.

237ml





OG7050 1 Litre
OG7053 5 Litre
OG7054 20 Litre
PAO 32 Grade Oil

Red



OG7047 5 Litre
OG7046 20 Litre
PAO 68 Grade Oil

Clear



OG7040 1 Litre
OG7043 5 Litre
OG7044 20 Litre
PAO 68 Grade Oil

Red



OG1681 1 Litre
OG1683 5 Litre
OG1684 20 Litre
PL 68 Grade Oil with UV Dye



OG7060 1 Litre
OG7063 5 Litre
PAO 100 Grade Oil

Red



OG1686 1 Litre
PL 100 Grade Oil with UV Dye



OG7070 1 Litre
OG7072 5 Litre
OG7073 10 Litre
Flush 5 Grade

Suitable for hybrid vehicles.



Compressor PAOil - Synthetic Polyalpha Olefin

A highly refined synthetic lubricant that will not break down over extended use. No waste due to moisture degradation.

- ISO 32 - Refrigerated Transport
- ISO 68 - All compressors except Rotary Vane
- ISO 100 - Rotary Vane compressors



OG7011
Mineral Oil

A premium mineral lubricant specifically for use in R12 A/C systems.

950ml



OG8000
Hybrid Oil

Compatible with all hybrid vehicles that utilize R134a A/C systems using electrically driven compressors.

237ml



OG8040
Denso ND8 Oil

Suitable for Denso swashplate compressors used in R134a systems.

250ml



OG9040
Denso ND9 Oil

Suitable for Denso Through Vane compressor types.

250ml



OG8011
Denso ND11 Oil

Suitable for all Denso hybrid vehicles using electrically driven compressors.

250ml



OG8012 250ml
Denso ND12 Oil

Suitable for all Denso compressors using HFO-1234yf.



Picture unavailable at time of printing refer www.cooldrive.com.au

OG3755
PAG Oil - Sanden SP10

Suits Sanden SD7B10, SD7H15 (Type C) SD7H13 (Type D) TRS090, TRS105

250ml



OG3756
PAG Oil - Sanden SP20

Suits Sanden SD5H09, SD5H15, SD7H13 & SD7H15 (Type B)

250ml



OG7008
PAG Oil - Unicla Unidap7

Suitable for all Unicla compressors

1 litre



OG1007
PAG Oil - ISO 150

Double 'End Capped' high viscosity synthetic oil.

250ml



OG1009
PAG Oil - ISO 100

Double 'End Capped' medium viscosity synthetic oil.

250ml



OG1010
PAG Oil - ISO 46

Double 'End Capped' low viscosity synthetic oil.

250ml



OG7026 470ml
OG7027 946ml
OG7028 3.8 Litre
CPS Vacuum Pump Oil



OG0090
Javac Vacuum Pump Oil

5 Litre



OG1303
Robinair Vacuum Pump Oil

1 Litre



OG7076
Roc Oil Vacuum Pump Oil

1 Litre



OG7013
Johnsensens Vacuum Pump Oil

350ml



OG6000
Viscous Fan Clutch Oil

250ml



OG6012
Refrigerant Oil Spray

Suitable for use on o-rings, gaskets, fittings and seals.

300ml



OG7201
Nylog Gasket and Thread Sealant

A tacky visco elastic liquid suitable for lubrication and sealing.

30ml



TO3100
Big Blu Leak Detector

Environmentally friendly spray on leak detection fluid.

985ml



OG7014
Leak Lock Sealing Compound

39ml



OG1394
Clean Air Duct Spray

Neutralises odours from mould, mildew, stale air and smoke.

85gms



OG375A
Coil Cleaner

Non hazardous, non toxic foaming coil cleaner.

510gms



OG1396
Evaporator Cleaner

250gms

Applicator to suit:
OG1397 (not included)



OG350G
Evaporator Coil Cleaner

Cleans evaporator coils without the need for rinsing with water.

3.8L



OG350S
Spray Gun

For use with OG350G.



OG300G
Coil Cleaner

Biodegradable, concentrated foaming coil cleaner.

3.8L



OG300S
Foam Gun & Bottle

For use with OG300G.



OG7203
Degreasing Solvent

Non hazardous degreasing solvent.

3.8L



TO8034
Fluoro Dye Universal

Ideal for R134a & HFO-1234yf systems.

237ml



TO8030
Dye Injector

Suits R12 & R134a.



TO8621
UV Leak Detection Kit

Dye suitable for R134a & HFO-1234yf systems. Contains cordless torch and UV dyes.



TO8697
Fluoro Leak Detection Kit

Dye suitable for R134a & HFO-1234yf systems. HD Tracer for A/C oil, Fuel, P/S and coolant.



TO9945
UV Safety Goggles

For use with fluoro lamps.



TO0005
Dye Off

Concentrated, biodegradable cleaner to remove fluoro dye stains.

750ml



OG1011
CPS Pro Flush

CPS Pro Flush is used for cleaning by flushing internal components of automotive airconditioning systems. It may also be used for cleaning parts by immersion. Pro Flush is compatible with system components and seals.

5 Litre



OG0141-5
Flushing Solvent

Airconditioning Flushing Solvent is suitable for flushing all internal components and may also be used to clean external components. Safely removes oil, grease and debris from all contact surfaces without causing corrosion to alloy components.

5 Litre



TO3817

CPS A/C Flush Machine

Features

Powered by Workshop Air
 Pressure capacity regulator 100psi
 Compressed air inlet
 Set of hoses and adaptors
 Easy access plastic filter
 Tank Capacity 8L



TO9023

CPS Flush Gun and Tank

Features

Includes pressure regulator to reduce high pressure issues.
 An economical means of flushing contaminants and scale from A/C system components.
 Uses compressed air to propel flush solvent.

CPS Probe Tip replacement: TO1568



R134a Refrigerant

- OG0011 - 11Kg
- OG0022 - 22Kg
- OG0045 - 45Kg
- OG0065 - 65Kg
- OG0430 - 430Kg

R404a Refrigerant

- OG0404-08 - 8Kg
- OG0404 - 16Kg
- OG0404-50 - 50Kg



Contact your nearest CoolDrive Branch for details on our Refrigerant Delivery and Reclaim Service.

FLUSH & REFRIGERANT



O'RINGS & GASKETS

OR9318 Pkt. 20
OR9317 Pkt. 1000
No. 5 Thin Wall
Green HNBR

OD: 10.0mm
ID: 7.2mm
TH: 1.4mm



OR9302 Pkt. 20
OR9316 Pkt. 1000
No. 5 Standard
Green HNBR

OD: 9.6mm
ID: 6.2mm
TH: 1.7mm



OR9303 Pkt. 20
OR9313 Pkt. 1000
No. 6 Standard
Green HNBR

OD: 11.1mm
ID: 7.7mm
TH: 1.7mm



OR9304 Pkt. 20
OR9314 Pkt. 1000
No. 8 Standard
Green HNBR

OD: 14.2mm
ID: 10.8mm
TH: 1.7mm



OR9305 Pkt. 20
OR9315 Pkt. 1000
No. 10 Standard
Green HNBR

OD: 17.7mm
ID: 14.1mm
TH: 1.8mm



OR9306 Pkt. 20
OR9321 Pkt. 1000
No. 12 Standard
Green HNBR

OD: 20.73mm
ID: 17.17mm
TH: 1.78mm



OR9322 Each
OR9322B Pkt. 10
TXV Capillary Thin

OD: 7.6mm
ID: 4.6mm
TH: 1.5mm



OR9301 Each
OR9301B Pkt. 10
TXV Capillary

OD: 7.0mm
ID: 3.5mm
TH: 1.7mm



OR9857 Pkt. 25
No. 6 Captive Fitting
Green HNBR

OD: 11.1mm
ID: 6.02mm
TH: 2.54mm



OR9858 Pkt. 25
No. 8 Captive Fitting
Green HNBR

OD: 14.4mm
ID: 9.32mm
TH: 2.54mm



OR9859 Pkt. 25
No. 10 Captive Fitting
Green HNBR

OD: 17.5mm
ID: 12.42mm
TH: 2.54mm




OR9860 Pkt. 25
No. 12 Captive Fitting
Green HNBR

OD: 19.0mm
ID: 13.92mm
TH: 2.54mm




OR0238 Pkt. 10
OR9863 Pkt. 25
Orifice Tube O'ring

OD: 10.7mm
ID: 6.7mm
TH: 2.0mm



OR9400 Each
Female pressure switch

OD: 8.2mm
ID: 5.0mm
TH: 1.6mm



OR9007 Each
OR9007B Pkt. 10
Male Pressure Switch

OD: 12.8mm
ID: 9.5mm
TH: 1.7mm



*Images not to scale

OR9853 Pkt. 25
No. 6 Compression Fitting
 Also GM V5 Control Valve

OD: 13.0mm
 ID: 9.4mm
 TH: 1.8mm



OR9854 Pkt. 25
No. 8 Compression Fitting

OD: 14.4mm
 ID: 10.8mm
 TH: 1.8mm



OR9855 Pkt. 25
No. 10 Compression Fitting

OD: 19.1mm
 ID: 15.5mm
 TH: 1.8mm



OR9856 Pkt. 25
No. 12 Compression Fitting

OD: 22.0mm
 ID: 18.4mm
 TH: 1.8mm



OR7195 Each
No. 6 (3/8") Garter Spring for Springlock Fittings

OD: 19.2mm
 ID: 12.6mm
 TH: 3.3mm



OR7196 Each
No. 8 (1/2") Garter Spring for Springlock Fittings

OD: 22.4mm
 ID: 15.8mm
 TH: 3.3mm



OR7197 Each
No. 10 (5/8") Garter Spring for Springlock Fittings

OD: 25.4mm
 ID: 18.8mm
 TH: 3.3mm



OR7198 Each
No. 12 (3/4") Garter Spring for Springlock Fittings

OD: 28.8mm
 ID: 22.2mm
 TH: 3.3mm



OR7168 Each
OR7168B Pkt. 10
 Delco / Harrison A6, R4
 Ford FS10, FS15 Compressor Ports

OD: 27.2mm
 ID: 20.2mm
 TH: 3.5mm



OR9862 Pkt. 20
 Delco / Harrison R4 Compressor Ports

OD: 29.0mm
 ID: 21.0mm
 TH: 3.5mm



OR7167 Pkt. 2
 Delco / Harrison R4 Compressor Ports

OD: 29.5mm
 ID: 15.2mm
 TH: 3.1mm



OR9308 Pkt. 20
OR9307 Pkt. 1000
 Denso - 3/8" Pipe

OD: 10.5mm
 ID: 6.5mm
 TH: 2.0mm



OR9312 Pkt. 20
OR9311 Pkt. 1000
 Denso - 1/2" Pipe

OD: 16.0mm
 ID: 11.0mm
 TH: 2.5mm



OR9310 Pkt. 20
OR9309 Pkt. 1000
 Denso - 5/8" Pipe

OD: 18.0mm
 ID: 13.0mm
 TH: 2.5mm



OR3140 Each
 Denso Heater Core

OD: 19.7mm
 ID: 15.9mm
 TH: 1.9mm





O'RINGS & GASKETS

OR3119 Each
Denso 7SB16C Suction Fitting

OD: 29.0mm
ID: 23.8mm
TH: 2.6mm

OR3120 Each
Denso 7SB16C Discharge Fitting

OD: 14.0mm
ID: 10.4mm
TH: 1.8mm

CP5023 Each
Denso 10P Compressor Suction & Discharge Ports

OD: 24.0mm
ID: 18.8mm
TH: 2.6mm

OR9868 Pkt. 25
Diesel Kiki Suction

OD: 22.8mm
ID: 16.5mm
TH: 2.7mm

OR9018 Pkt. 2
Sanden SD7V16 Pad Fitting

OD: 22.2mm
ID: 19.0mm
TH: 1.6mm

OR9031 Each
OR9031B Pkt. 10
Sanden TR Suction

OD: 24.0mm
ID: 18.8mm
TH: 2.6mm

OR9032 Each
OR9032B Pkt. 10
Sanden TR Discharge

OD: 20.4mm
ID: 15.4mm
TH: 2.5mm

OR7165 Each
OR7165B Pkt. 10
York / Tecumseh Rotalock Fittings - Teflon

OD: 18.8mm
ID: 15.9mm
TH: 1.5mm

OR7170 Each
York / Tecumseh Square Cut

OD: 24.0mm
ID: 19.5mm
TH: 2.2mm

OR7164 Each
York / Tecumseh Flange Gasket

CP0066 Pkt. 5
Chrysler FDR Block Gasket

CP0063 Pkt. 5
Chrysler Block Expansion Valve Suction / Liquid Line Gasket
Use with CP0077 plastic pilots

CP0065 Pkt. 5
Chrysler Block Expansion Valve Gasket (Evap side).
Without foam coating
Use with CP0077 plastic pilots

CP0071 Pkt. 5
Chrysler Block Expansion Valve Gasket (Evap side).
With foam coating
Use with CP0077 plastic pilots

CP0077 4 Pcs
Plastic Pilots for use with CP0063, CP0065 & CP0071

*Images not to scale

CP1174 Each
Chrysler / Jeep Grand Cherokee
Sealing Washer



CP0123 Pkt. 5
Chrysler / GM Port Sealing Washer

OD: 23.7mm
ID: 14.3mm
TH: 1.3mm



CP0124 Pkt. 5
Chrysler / GM Block Fitting Sealing Washer

OD: 16.0mm
ID: 8.0mm
TH: 1.3mm



CP0125 Pkt. 5
Chrysler / GM Block Fitting Sealing Washer

OD: 19.0mm
ID: 11.0mm
TH: 1.3mm



OR9885 Each
CP0114 Pkt. 5
OR9865 Pkt. 25
Chrysler / GM Compressor Port
Sealing Washer - suits Delphi V5

OD: 28.0mm
ID: 15.3mm
TH: 1.3mm



OR9925 Each
Citroen, Peugeot, Renault
Moulded Seal Red
8mm ID



OR9924 Each
Citroen, Peugeot, Renault
Moulded Seal Red
11mm ID



OR9923 Each
Citroen, Peugeot, Renault
Moulded Seal Red
14mm ID



OR9922 Each
Citroen, Peugeot, Renault
Moulded Seal Red
17mm ID



CP0121 Pkt. 5
Dodge Suction Port Sealing Washer
Silver



CP0122 Pkt. 5
Dodge Discharge Port Sealing Washer
Gold



OR4769 Each
OR3329 Pkt. 10
Ford Falcon BA Evaporator Discharge

OD: 16.0mm
ID: 10.8mm
TH: 2.6mm




OR4771 Each
OR3328 Pkt. 10
Ford Falcon BA Evaporator Suction

OD: 19.2mm
ID: 14.0mm
TH: 2.6mm



OR7116 Each
OR7116B Pkt. 10
Ford Falcon AU Suction / Discharge

OD: 24.3mm
ID: 19.5mm
TH: 2.4mm



OR0155 Each
Ford Falcon AU Pressure Switch Port
Suits HO0155 Hose Assy

OD: 11.0mm
ID: 7.0mm
TH: 2.0mm





OR3324 Pkt. 10
Ford Falcon EB - EL Block Valve Suction

OD: 19.18mm
ID: 13.94mm
TH: 2.62mm

OR3325 Pkt. 10
Ford Falcon EB - EL Block Valve Liquid Line

OD: 14.43mm
ID: 9.19mm
TH: 2.62mm

OR3326 Pkt. 10
Ford Falcon EA - EL Block Valve Discharge & Condenser

OD: 16.01mm
ID: 10.77mm
TH: 2.62mm

OR3327 4 Pcs
Ford Falcon EB - EL Block Valve Kit

CP0126 Pkt. 5
GM Block Fitting Sealing Washer

OD: 25.5mm
ID: 17.0mm
TH: 1.3mm

CP0113 Pkt. 5
OR9864 Pkt. 25
GM Compressor Port Sealing Washer

OD: 29.5mm
ID: 15.2mm
TH: 3.0mm

CP0115 Pkt. 5
OR9866 Pkt. 25
GM Compressor Port Sealing Washer

OD: 31.5mm
ID: 17.7mm
TH: 1.4mm

OR9874 Each
CP0117 Pkt. 5
GM Compressor Port Sealing Washer Green

OD: 30.0mm
ID: 15.6mm
TH: 5.5mm

OR9875 Each
CP0118 Pkt. 5
GM Compressor Port Sealing Washer Red

OD: 30.0mm
ID: 15.6mm
TH: 3.8mm

OR9876 Each
CP0119 Pkt. 5
GM Compressor Port Sealing Washer Yellow

OD: 33.4mm
ID: 15.4mm
TH: 3.0mm

OR9878 Each
CP0116 Pkt. 5
GM Compressor Sealing Washer Pilot 6.8mm long

OR9879 Each
CP0120 Pkt. 5
GM Compressor Sealing Washer Pilot 11.3mm long

OR9861 4 Pcs
GM V5, Calsonic CWV615, CWV617, CWV618 Control Valve Kit

OD	ID	TH
12.8mm	9.2mm	1.8mm
14.4mm	10.8mm	1.8mm
21.0mm	17.4mm	1.8mm
22.2mm	17.0mm	2.6mm

OR7184 Each
GM Superheat Switch

OD: 27.2mm
ID: 22mm
TH: 2.6mm

*Images not to scale

OR2450 Each
Holden Commodore VE Transducer

OD: 11.2mm
ID: 7.6mm
TH: 1.8mm



OR2025 Each
Holden Commodore VE Block Valve
Liquid Line, Condenser

OD: 16.0mm
ID: 8.2mm
TH: 1.3mm



OR4812 Each
Holden Commodore VE Compressor
Discharge

OD: 19.1mm
ID: 11.2mm
TH: 1.3mm



OR4813 Each
Holden Commodore VE Compressor
Suction

OD: 25.3mm
ID: 17.1mm
TH: 1.3mm



OR9886 Each
Holden Commodore VE Block Valve
Suction
GM Compressor Port Sealing Washer
suits Delphi 7CVC165

OD: 23.6mm
ID: 15.4mm
TH: 1.3mm



OR2035 4 Pcs
Holden Commodore VE Block Valve
Kit



OR9220 Each
Holden Commodore VT
Mitsubishi Magna TE, TF
Heater

OD: 26.8mm
ID: 17.2mm
TH: 4.2mm



OR1320 Each
OR9320 Pkt. 20
Holden Commodore VT - VZ Block
Valve Suction

OD: 17.4mm
ID: 12.62mm
TH: 2.39mm



OR1321 Each
Holden Commodore VT - VZ Block
Valve Discharge

OD: 14.39mm
ID: 9.19mm
TH: 2.6mm



OR1322 Each
Holden Commodore VT - VZ Block
Valve Liquid Line

OD: 9.63mm
ID: 6.07mm
TH: 1.78mm



OR1323 Each
Holden Commodore VT - VZ Block
Valve Suction

OD: 20.6mm
ID: 15.4mm
TH: 2.6mm




OR1324 4 Pcs
Holden Commodore VT - VZ Block
Valve Kit



OR6316 2 Pcs
Holden Vectra Condenser to FDR Kit

OD	ID	TH
9.6mm	6.0mm	1.8mm
11.0mm	7.0mm	2.0mm



OR6327 Each
Holden Vectra ZC Condenser to FDR

OD: 16.0mm
ID: 8.6mm
TH: 2.0mm





OR9869 Each
Holden Vectra

OD: 20.9mm
ID: 13.8mm
TH: 3.5mm

OR9926 Each
Renault
Moulded Seal Brown
11mm ID

OR9927 Each
Renault
Moulded Seal Brown
13mm ID

OR9928 Each
Renault Moulded Seal Brown
16mm ID

*Images not to scale

OR7003 Basic O'ring Kit

Part No.	Description	Qty.
OR9302	No. 5 Standard green HNBR	20 Pcs
OR9303	No. 6 Standard green HNBR	20 Pcs
OR9304	No. 8 Standard green HNBR	20 Pcs
OR9305	No. 10 Standard green HNBR	20 Pcs
OR9306	No. 12 Standard green HNBR	20 Pcs



OR7004 Master O'ring Kit

Part No.	Description	Qty.
OR9301	TXV capillary o'ring	5 Pcs
OR9302	No. 5 Standard green HNBR	20 Pcs
OR9303	No. 6 Standard green HNBR	20 Pcs
OR9304	No. 8 Standard green HNBR	20 Pcs
OR9305	No. 10 Standard green HNBR	20 Pcs
OR9306	No. 12 Standard green HNBR	20 Pcs
OR3324	Ford Falcon EB - EL block valve suction	6 Pcs
OR3325	Ford Falcon EB - EL block valve liquid line	6 Pcs
OR3326	Ford Falcon EA - EL condenser	6 Pcs
OR9308	Denso - 3/8" pipe	10 Pcs
OR9312	Denso - 1/2" pipe	10 Pcs
OR9310	Denso - 5/8" pipe	10 Pcs
OR9031	Sanden TR suction	5 Pcs
OR9032	Sanden TR discharge	5 Pcs



**OR4013 Master O'ring Kit -
67 Different Part Numbers (670 Pcs)**

The most comprehensive o'ring kit containing 67 different part numbers (670 in total). All popular o'rings, seals and garter springs to suit a variety of vehicle models in one handy kit.



Part No.	Description	Part No.	Description
OR0024	Chrysler block valve	OR9858	No. 8 Captive fitting o'ring
OR9318	No. 5 Thin wall green	OR0201	Chrysler Mini Van suction
OR9301B	TXV capillary	OR9859	No. 10 Captive fitting o'ring
OR0002	Nissan 8mm switch	OR0202	Mercedes R134a service
OR9854	No. 8 Compression fitting	OR9032B	Sanden TR discharge
OR9303	No. 6 Standard green HNBR	OR9869	Vectra, GM VIR sight glass
OR9305	No. 10 Standard green HNBR	OR0032	Nissan 6mm switch
OR9853	No. 6 Compression fitting, GM V5 control valve	OR0016	GM 5/8" dual metric
OR9855	No. 10 Compression fitting	OR0039	Nissan 16mm hose fitting
OR9304	No. 8 Standard green HNBR	CP5023	Denso 10P compressor suction & discharge ports
OR9306	No. 12 Standard green HNBR	OR0031	Compressor service port
OR0169	Nissan, Calsonic metric	OR0017	GM 3/4" dual metric
OR0237	Mercedes R134a service	OR0029	Ford orifice tube
OR0005	Nissan, Calsonic metric	OR0015	GM 1/2" dual metric
OR0006	Ford pressure cycling switch	OR0184	Toyota 13mm block valve
OR0033	GM low side switch / accumulator port	OR0185	Porsche R134a service
OR0172	Suzuki Sidekick 11mm expansion valve	OR0203	Diesel Kiki 'CH' model discharge port
OR9863	Orifice tube o'ring	OR0038	TRF105, TRS105 suction port
OR0173	U.S. imports 11mm condenser o'ring	OR0189	Chrysler RV2 EPR & ETR valve
OR0019	No. 8 Ford metric springlock	OR7184	GM superheat switch
OR0020	No. 6 Ford metric springlock	OR9860	No. 12 Captive fitting o'ring
OR9868	Diesel Kiki suction	OR7165B	York/Tecumseh rotolock fittings - teflon
OR0269	GM A6, DA6, HR6, V5 service	OR0041	York/Tecumseh tube-O fitting
OR0249	Nissan, Calsonic metric	OR7170	York/Tecumseh square cut
OR0025	No. 10 Ford metric springlock	OR7195	No. 6 (3/8") Garter spring for springlock fittings
OR0258	Mazda hose fitting	OR7196	No. 8 (1/2") Garter spring for springlock fittings
OR0187	Nissan, Calsonic service	OR0028	Ford FS6, 10P15 oval service valve
OR0179	Mercedes R134a service	OR7168B	Delco A6, R4 Ford FS10, FS15 compressor ports
OR0180	Nissan, Calsonic R134a service	OR0027	GM R4, DA6, HR6, HR6HE, V5 oval service
OR0188	Nissan, Calsonic R134a service	OR0174	Chrysler metric R134a service
OR0182	Nihon DKV-14C discharge port	OR3118	7SB16C suction fitting, Chrysler RV2 discharge
OR0022	No. 12 Ford metric springlock	OR7197	No. 10 (5/8") Garter spring for springlock fittings
OR9857	No. 6 captive fitting o'ring	OR7198	No. 12 (3/4") Garter spring for springlock fittings
OR0183	Nissan, Calsonic R134a service		

OR9870 Audi & Volkswagen O'ring Service Kit

Part No.	Description	Qty.
OR0228	GM capillary	5 Pcs
OR0275	No. 6 Standard purple	5 Pcs
OR0276	O'ring purple	5 Pcs
OR0277	O'ring purple	5 Pcs
OR0279	No. 8 Standard purple	5 Pcs
OR0280	O'ring purple	5 Pcs
OR0281	No. 10 Standard purple	5 Pcs
OR0305	Nissan, Calsonic R134a service	5 Pcs
OR0282	O'ring purple	5 Pcs
OR0283	O'ring purple	5 Pcs
OR0284	No. 12 Standard purple	5 Pcs
OR0306	Nissan, Calsonic R134a service	5 Pcs
OR0285	GM A6, DA6, HR6, V5 service	5 Pcs
OR0271	O'ring green	5 Pcs
OR0286	Denso 7SB16C suction fitting	5 Pcs
CP9578	Valve core standard	5 Pcs
CP9577	R12 valve cap	5 Pcs
CP9580	Valve core high flow	5 Pcs
CP4051	R134a valve cap suction	2 Pcs
CP4050	R134a valve cap discharge	2 Pcs



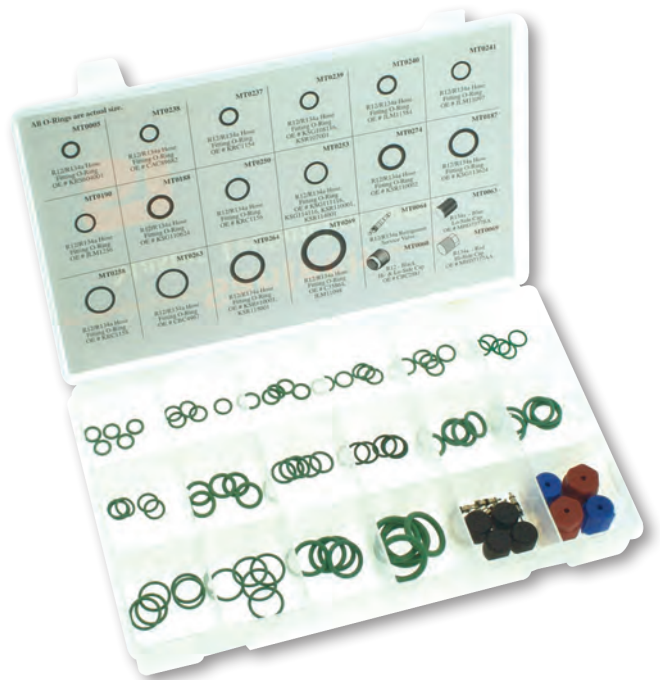
OR9871 BMW O'ring Service Kit

Part No.	Description	Qty.
CP5056	Denso manifold o'ring 10PA15C, 17C, 20C	2 Pcs
CP0295	Denso manifold o'ring 10PA17C	2 Pcs
CP9577	R12 valve cap	6 Pcs
CP0192	R134a valve cap suction	6 Pcs
CP0193	R134a valve cap discharge	6 Pcs
OR0302	O'ring green HNBR	5 Pcs
OR0237	No. 6 Standard green HNBR	5 Pcs
OR0245	No. 6 Compression fitting, GM V5 control valve	5 Pcs
OR3325	O'ring green HNBR	5 Pcs
OR0250	No. 8 Standard green	5 Pcs
OR0249	O'ring green HNBR	5 Pcs
OR9305	No. 10 Standard green	5 Pcs
OR0021	O'ring green HNBR	5 Pcs
OR0264	Sanden TR discharge	5 Pcs
OR9306	No. 12 Standard green HNBR	5 Pcs
OR3119	Denso 7SB16C suction fitting	5 Pcs
CP9578	Valve core standard	5 Pcs



OR9872 Jaguar O'ring Service Kit

Part No.	Description	Qty.
OR0005	Nissan, Calsonic metric	5 Pcs
OR0238	Orifice tube	5 Pcs
OR0237	No. 6 Standard green HNBR	5 Pcs
OR0239	O'ring green HNBR	5 Pcs
OR0240	O'ring green HNBR	5 Pcs
OR0241	O'ring green HNBR	5 Pcs
OR0190	O'ring green HNBR	5 Pcs
OR0188	Suzuki Sidekick 11mm expansion valve	5 Pcs
OR0250	No. 8 Standard green	5 Pcs
OR0253	O'ring green HNBR	5 Pcs
OR9877	O'ring green HNBR	5 Pcs
OR0187	Nissan, Calsonic service	5 Pcs
OR9305	No. 10 Standard green	5 Pcs
OR9855	No. 10 Compression fitting	5 Pcs
OR0264	Sanden TR discharge	5 Pcs
OR0269	GM A6, DA6, HR6, V5 service	5 Pcs
CP9578	Valve core standard	5 Pcs
CP9577	R12 valve cap	4 Pcs
CP4051	R134a valve cap suction	2 Pcs
CP4050	R134a valve cap discharge	2 Pcs



OR9873 Mercedes O'ring Service Kit

Part No.	Description	Qty.
CP5056	Denso manifold o'ring 10PA15C, 17C, 20C	2 Pcs
CP0194	Denso manifold o'ring 10PA15C	2 Pcs
OR0237	No. 6 Standard green	5 Pcs
OR0245	No. 6 Compression fitting, GM V5 control valve	5 Pcs
OR0250	No. 8 Standard green	5 Pcs
OR9305	No. 10 Standard green	5 Pcs
OR9306	No. 12 Standard green	5 Pcs
OR0304	Compressor RPM sensor	5 Pcs
OR9862	Delco/Harrison R4 compressor port	6 Pcs
OR0200	Denso suction/discharge	6 Pcs
CP9577	R12 valve cap	6 Pcs
CP0192	R134a Valve cap suction	4 Pcs
CP0193	R134a Valve cap discharge	4 Pcs
CP9578	Valve core standard	10 Pcs



OR9867 Volvo O'ring Kit

Part No.	Description	Qty.
OR1705	No. 5 Thin wall yellow HNBR	10 Pcs
OR1711	No. 6 Standard yellow HNBR	10 Pcs
OR1712	O'ring cycling/pressure switch yellow HNBR	10 Pcs
OR1713	No. 8 Standard yellow HNBR	10 Pcs
OR1715	No. 10 Standard yellow HNBR	10 Pcs
OR1717	No. 12 Standard yellow HNBR	10 Pcs



CP4018 Sealing Washer Assortment Kit

Part No.	Description	Qty.
CP0113	GM compressor port sealing washer	6 Pcs
CP0114	Chrysler / GM compressor port sealing washer	6 Pcs
CP0125	Chrysler / GM block fitting sealing washer - 11mm ID	6 Pcs
CP0126	GM block fitting sealing washer - 17mm ID	6 Pcs
CP0119	GM compressor port sealing washer yellow	4 Pcs
CP0115	GM compressor port sealing washer	6 Pcs
CP0123	Chrysler / GM port sealing washer	6 Pcs
CP0118	GM compressor port sealing washer red	4 Pcs
CP0124	Chrysler / GM block fitting sealing washer - 8mm ID	6 Pcs
CP0117	GM compressor port sealing washer green	4 Pcs
CP0121	Dodge suction port sealing washer silver	4 Pcs
CP0116	GM compressor sealing washer pilot - 6.8mm long	6 Pcs
CP0120	GM compressor sealing washer pilot - 11.3mm long	6 Pcs
CP0122	Dodge discharge port sealing washer gold	4 Pcs



CP4016 Service Port Cap Kit - 46 Pcs

Part No.	Description	Qty.
CP0139	13mm black R134a low side Eaton SSV	2 Pcs
CP0140	16mm black R134a high side Eaton SSV	2 Pcs
CP0192	13mm blue R134a low side OEM type	4 Pcs
CP0193	16mm red R134a high side OEM type	4 Pcs
CP0195	OEM type J.R.A. low side R134a	4 Pcs
CP0196	OEM type J.R.A. high side R134a	4 Pcs
CP4024	3/16" black R12	5 Pcs
CP4050	16mm red R134a high side OEM & aftermarket type	4 Pcs
CP4051	13mm blue R134a low side OEM & aftermarket type	4 Pcs
CP4052	16mm red J.R.A. type R134a high side	4 Pcs
CP4053	13mm blue J.R.A. type R134a low side	4 Pcs
CP9577	1/4" black R12	5 Pcs



CP4019 Valve Core Assortment Kit

Part No.	Description	Qty.
CP0092	R134a J.R.A. import high flow valve core (M6) - HNBR seal	10 Pcs
CP0093	R12 & R134a GM large bore high flow valve core - neoprene seal	5 Pcs
CP0094	R134a domestic Eaton SSV high flow valve core (M8) - neoprene seal	3 Pcs
CP0095	R134a domestic Eaton SSV high flow valve core (M10) - neoprene seal	3 Pcs
CP0096	R134a Peugeot / Volvo high flow valve core (M8) - neoprene seal	3 Pcs
CP0190	R12 GM / Audi VIR, POA oil bleed line valve core, low tension - nitrile seal	1 Pc
CP0191	R12 & R134a Renault France standard flow valve core (M5) - neoprene seal	3 Pcs
CP9578	R12 & R134a domestic & import standard flow valve core - neoprene seal	10 Pcs
TO9301	Eaton SSV high flow valve core remover / installer tool	1 Pc
TO9302	Standard & large bore valve core remover / installer tool	1 Pc



CP9000 Service Assortment Kit

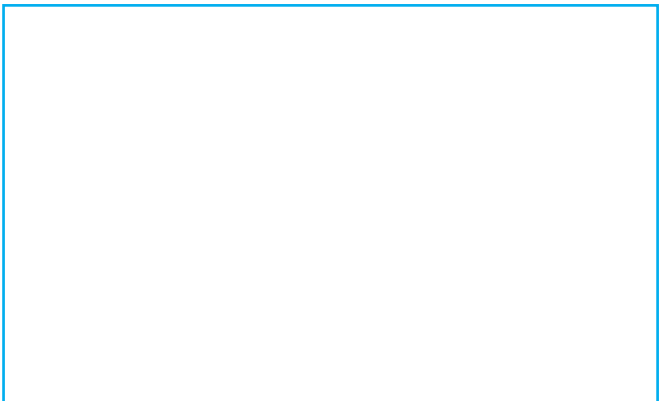
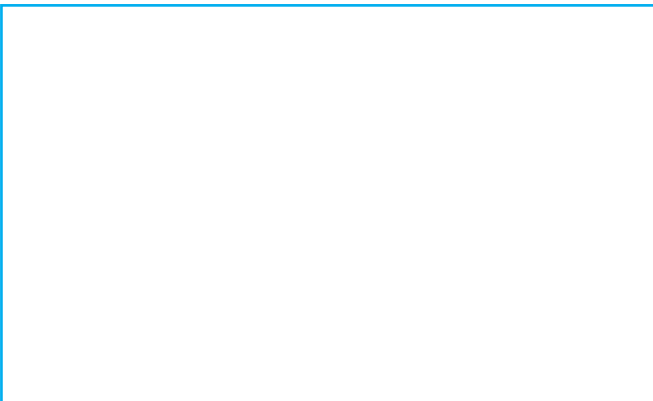
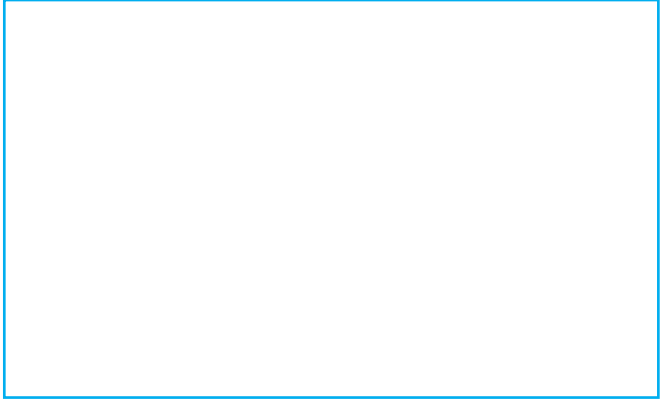
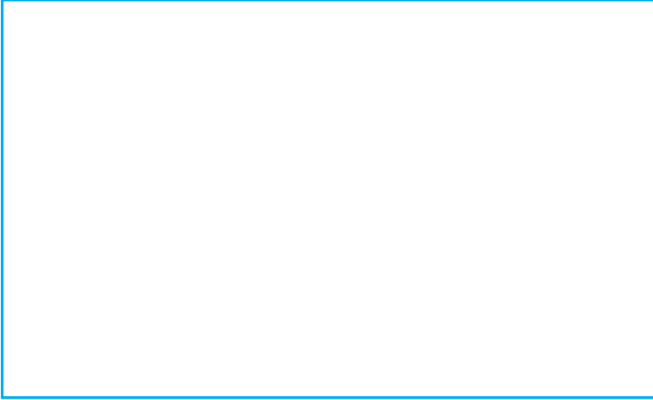
Part No.	Description	Qty.
CP4024	3/16" black R12	10 Pcs
CP4050	16mm red R134a high side OEM & aftermarket type	10 Pcs
CP4051	13mm blue R134a low side OEM & aftermarket type	10 Pcs
AF6362	Retro-Fit adaptor 3/16" to R134a high side	2 Pcs
AF6363	Retro-Fit adaptor 1/4" to R134a low side	2 Pcs
CP9578	R12 & R134a domestic & import standard flow valve core - neoprene seal	10 Pcs
CP9580	R134a J.R.A. high flow import valve core	10 Pcs
AF6364	Retro-Fit adaptor 1/4" to R134a high side	2 Pcs
OR7165	York / Tecumseh rotolock teflon seal	10 Pcs
OR7168	Delco/Harrison A6, R4. Ford FS10, FS15 compressor ports	10 Pcs
TO1008	Charge hose depressors 1/4"	10 Pcs
TO1009	Charge hose rubbers 1/4"	10 Pcs
TO1545	Fibre washer suits refrigerant cylinder adaptor (TO1000 / TO1544)	4 Pcs
CP9577	1/4" black R12	10 Pcs



CP9870 Valve Core Assortment Kit

Part No.	Description	Qty.
CP0092	R134a J.R.A. import high flow valve core (M6) - HNBR seal	5 Pcs
CP0093	R12 & R134a GM large bore high flow valve core - neoprene seal	5 Pcs
CP0094	R134a domestic Eaton SSV high flow valve core (M8) - neoprene seal	3 Pcs
CP0095	R134a domestic Eaton SSV high flow valve core (M10) - neoprene seal	3 Pcs
CP0096	R134a Peugeot / Volvo high flow valve core (M8) - neoprene seal	3 Pcs
CP0190	R12 GM / Audi VIR, POA oil bleed line valve core, low tension - nitrile seal	5 Pcs
CP0191	R12 & R134a Renault France standard flow valve core (M5) - neoprene seal	3 Pcs
CP9578	R12 & R134a domestic & import standard flow valve core - neoprene seal	10 Pcs





Make & Model	Year	Part No.	Page No.
Alfa Romeo			
145		PS4666	670
146		PS4666	670
147		PS4666	670
156		PS4666	670
GTV		PS4666	670
Spider		PS4666	670
Audi			
A3 1.6Lt, 1.8Lt	9/96>	PS4660	670
A3	5/97>	PS5178	670
A4	94-96	PS4661	670
A4		PS4649	670
A4	5/97>	PS5178	670
A6		PS4649	670
A6	5/97>	PS5178	670
A8		PS4649	670
A8	5/97>	PS5178	670
Q7	9/06>	PS5178	670
TT	5/99>	PS5178	670
BMW			
3 Series E46	98-05	PS5181	670
3 Series E36	93-00	PS3617	670
5 Series E39	98-05	PS5181	670
5 Series E39	96-04	PS4659	670
7 Series E38	96-04	PS4659	670
8 Series E31	93-00	PS3617	670
BMW		PS4650	670
X5, E53	11/00>	PS5181	670
Z3 Roadster & Coupe	96-03	PS3617	670
Z4, E85	7/03>	PS5181	670
Caterpillar			
Caterpillar		PS4675	670
Chrysler			
PT Cruiser	06-07	PS8116	671
Citroen			
AX	94-05	PS8803	671
Berlingo	94-05	PS8803	671
Xantia	94-05	PS8803	671
XM	94-05	PS8803	671
Xsara	94-05	PS8803	671
Daihatsu			
Applause		PS0030	671
Charade G11		PS8743	671

Make & Model	Year	Part No.	Page No.
Charade G200		PS0030	671
Delta		PS0030	671
Feroza F300, F310		PS0030	671
Handivan L60V		PS8743	671
Handivan L701		PS0030	671
Mira L201, L500		PS0030	671
Move L601		PS0030	671
Pyzar G301, G303		PS0030	671
Rocky F73, F78		PS0030	671
Rocky R12		PS8743	671
Sirion		PS0030	671
Terios J100, J102		PS0030	671
Fiat			
Ducato		PS4666	671
Punto		PS4666	671
Fiat		PS4649	671
Ford			
Escape	00>	PS3619	671
Falcon BA, BF, FG	9/02>	PS7140	671
Falcon AU	9/98-9/02	PS4652	671
Falcon ED, EF, EL	8/93-8/98	PS3110	671
Falcon XF, XG, XH, EA, EB, EBII	10/84-8/93	PS3111	672
Ford		PS4653	672
Laser KJ, KN, KQ	94-8/02	PS8826	672
Laser KA, KB, KC, KE, KF	81-9/91	PS8743	672
Louisville		PS4643	672
Meteor GA, GB, GC	81-87	PS8743	672
Mondeo	9/96-11/00	PS3619	671
Taurus	3/96-9/98	PS3619	671
Telstar AX, AY	91-97	PS8826	672
Telstar AR, AS	81-90	PS8743	672
Transit		PS4654	672
Sterling		PS4643	672
Freightliner			
Freightliner		PS7077	672
Hino			
Hino Truck		PS0140	672
Holden			
Apollo JM, JP	3/93-5/97	PS3201	672
Astra TS	9/98-1/07	PS3686	672
Astra TR	9/96-9/98	PS3615	673
Astra	84-91	PS1035	673

Make & Model	Year	Part No.	Page No.
Astra	84-91	PS1039	673
Barina XC	2/01-7/04	PS3686	672
Barina SB	4/94-00	PS3615	673
Calibra YE	10/91-7/98	PS3615	673
Camira JB, JD, JE	82-89	PS1039	673
Commodore VE	8/06>	PS3392	673
Commodore VT, VX, VY, VU Ute	9/97-7/04	PS3686	673
Commodore VR, VS	7/93-8/97	PS3202	673
Commodore VN, VP, VR, VS, VG Ute	8/88-8/97	PS3680	673
Commodore VN, VP, VG Ute	8/88-7/93	PS3685	673
Commodore VN, VP, VR, VS, VG Ute	8/88-8/97	PS4110	673
Commodore VL	3/86-8/88	PS1018	673
GM Imports		PS4644	675
GM		PS4640	674
GM		PS4641	674
GM		PS4642	674
Monaro CV6, CV8	12/01-9/04	PS3686	673
Nova LF, LG	9/91-4/97	PS3201	674
Rodeo RA03 2.4Lt, 3.0Lt, 3.5Lt	03-09	PS7179	674
Statesman WH	6/99-4/03	PS3686	674
Statesman VQ	3/90-2/94	PS3680	674
Statesman VQ	3/90-2/94	PS4110	674
Vectra JR, JS	6/97-12/02	PS3613	674
Vectra JR, JS	6/97-12/02	PS3616	674
Honda			
Accord	94-02	PS3207	675
Accord	>94	PS8743	675
Accord	91-93	PS3205	675
Civic	94-02	PS3207	675
Civic	>94	PS8743	675
Civic		PS3614	675
CRV	94-02	PS3207	675
HRV	94-02	PS3207	675
Integra	>94	PS8743	675
Prelude	94-02	PS3207	675
Prelude	>94	PS8743	675
Prelude	91-93	PS3205	675
Hyundai			
Excel	87-90	PS8743	675
Sonata EF	99-05	PS7189	675
Sonata Y3	94-99	PS4643	675

Make & Model	Year	Part No.	Page No.
Sonata Y2	90-94	PS4653	675
International			
Truck		PS1035	675
Truck		PS1037	676
Truck		PS1039	676
Isuzu			
Isuzu		PS0580	676
Isuzu		PS3211	676
Jaguar			
Jaguar		PS4655	676
Jeep			
Cherokee XJ	98-03	PS8116	676
Cherokee		PS4653	676
Wrangler TJ	98-03	PS8116	676
Kenworth			
Kenworth		PS7650	676
Mazda			
323	94-12/03	PS8826	677
626	94-12/03	PS8826	677
BT50	11/06>	PS8826	677
B Series		PS8743	676
B Series		PS0030	676
MX5		PS0030	676
MX6	94-12/03	PS8826	677
Mercedes Benz			
A Class Transducer		PS3620	677
C Class W203	00-07	PS4657	677
C Class Transducer		PS3620	677
CLK Transducer		PS3620	677
E Class Transducer		PS3620	677
Mercedes Adaptor Temp. Switch		AF4006	677
Mercedes		PS3610	677
Mercedes		PS3620	677
Sprinter		PS1039	677
Vito 638		PS3620	677
Vito		PS1039	677
Mini			
Cooper R56	3/07>	PS5181	677
Mitsubishi			
Cordia		PS8743	678
L300 SH, SJ		PS3203	677
L400 WA		PS3203	677
Lancer CE		PS3203	677

Make & Model	Year	Part No.	Page No.
Lancer CC		PS3203	677
Lancer CA-CC		PS8743	678
Magna TJ		PS3203	677
Nimbus UA-UC		PS8743	678
Nimbus UF		PS8743	678
Pajero NE, NF	82-91	PS1035	677
Pajero NJ, NL	91-00	PS0030	677
Verada KJ		PS3203	677
Nissan			
Bluebird		PS8742	678
Bluebird		PS1035	678
Exa		PS1035	678
Gazelle		PS1035	678
Maxima	04>	PS5176	678
Navara		PS1035	678
Navara		PS1041	678
Nissan		PS3612	678
Patrol		PS1039	678
Pintara FWD		PS1039	678
Pulsar N16, N16E	04>	PS5176	678
Pulsar N15	95-00	PS3206	678
Pulsar N12		PS1035	678
Pulsar		PS1039	678
Skyline		PS1039	678
X-Trail		PS5176	678
Peugeot			
205	84-98	PS8803	678
206	84-98	PS8803	678
306	84-98	PS8803	678
405	84-98	PS8803	678
406	90>	PS8803	678
605	90>	PS8803	678
Expert	90>	PS8803	678
Proton			
Persona	07-10	PS0030	678
Satria	95>	PS0030	678
Wira	93-07	PS0030	678
Rover			
Range Rover Early		PS8755	679
Red Dot			
Red Dot 71R6060 Binary Normally Open		PS6060	679
Red Dot 71R6070 Binary Normally Closed		PS6070	679

Make & Model	Year	Part No.	Page No.
Red Dot 71R6100 Binary Normally Open		PS6100	679
Red Dot 71R6120 Binary Normally Closed		PS6120	679
Red Dot 71R6140 Binary Normally Open		PS6140	679
Red Dot 71R6150 Heat Switch, Thermal Limiter		PS6150	679
Red Dot 71R6160 Fan Override, Normally Open		PS6160	679
Red Dot 71R6180 Binary Normally Closed		PS6180	679
Red Dot 71R6181 Normally Closed		PS6181	679
Red Dot 71R6183 Normally Closed		PS6183	680
Red Dot 71R6210 Normally Closed		PS6210	680
Red Dot 71R6230 Normally Closed		PS6230	680
Red Dot 71R7000 Binary		PS7010	680
Red Dot 71R7050 Binary		PS7050	680
Red Dot 71R7500 Trinary Normally Open		PS7500	680
Red Dot 71R7550 Trinary Normally Open		PS7550	680
Red Dot 71R7600 Trinary Normally Closed		PS7600	680
Red Dot 71R7650 Trinary Normally Closed		PS7650	680
Harness & Boot - 4 Wire		PS4500	680
Harness & Boot - 2 Wire		PS4510	681
Renault			
Megane	5/01>	PS4663	681
Saab			
9000	90-94	PS4665	681
Seat			
Cordoba	1/95-10/99	PS5178	681
Ibiza	1/95-10/99	PS5178	681
Toledo	1/95-10/99	PS5178	681
Subaru			
Outback	10>	PS8690	681
Suzuki			
Alto		PS0030	681
Baleno		PS0030	681
Sierra		PS0030	681
Swift		PS0030	681
Vitara		PS0030	681
X90		PS0030	681
Toyota			
4 Runner LN61		PS8743	682
4 Runner LN130		PS3201	682

Make & Model	Year	Part No.	Page No.
4 Runner RN130		PS3201	682
4 Runner VZN130		PS3201	682
4 Runner YN63		PS8743	682
Avalon		PS3201	682
Camry ACV36, MCV36	9/02-6/06	PS8690	681
Camry ACV36		PS8827	682
Camry Cooltemp Systems		PS3200	681
Camry MCV20R		PS3201	682
Camry SDV10		PS3201	682
Camry SXV20R		PS3201	682
Camry SV22		PS0030	682
Camry SV11		PS8743	682
Camry VCV10		PS3201	682
Celica ZZT231R		PS8827	682
Celica		PS8743	682
Celica		PS3201	682
Corolla ZZE122R		PS8827	682
Corolla		PS8743	682
Corolla		PS3201	682
Cressida		PS8743	682
Crown MS112		PS8743	682
Dyna		PS3201	682
Dyna		PS8827	682
Echo		PS8827	682
Hiace		PS7140	681
Hiace		PS0030	682
Hilux		PS0030	682
Landcruiser 100 Series		PS0630	681
Landcruiser		PS8743	682
Landcruiser		PS0030	682
Liteace		PS8743	682
MR2		PS3201	682
Paseo EL44, EL45		PS3201	682
Prado		PS8827	682
Prado		PS0030	682
Prius NHW11		PS8827	682
Rav4 ACA20R, ACA21R, ACA22R		PS8827	682
Rav4 SXA10R, SXA11R		PS3201	682
Spacia SR40		PS8827	682
Spacia YR22		PS0030	682
Starlet		PS8827	682
Tarago TCR		PS0030	682

Make & Model	Year	Part No.	Page No.
Tercel AL25		PS8743	682
Townace		PS0030	682
Toyota		PS0720	682
Volkswagen			
Beetle	98-05	PS5178	682
Beetle		PS4649	682
Bora	98-05	PS5178	682
Bora		PS4649	682
Caddy III	98-05	PS5178	682
Golf IV	98-05	PS5178	682
Golf III		PS4649	682
Jetta	98-05	PS5178	682
Lupo	98-05	PS5178	682
Passat IV		PS4649	682
Passat	2/01>	PS3621	682
Polo	98-05	PS5178	682
Polo		PS4649	682
Touareg	98-05	PS5178	682
Transporter T5	98-05	PS5178	682
Transporter T4		PS4649	682
Transporter		PS0030	682
Volvo			
240	92-93	PS4662	683
940	>93	PS4645	683
960	>93	PS4645	683
Volvo		PS4646	682
Volvo		PS4641	683
Volvo	>93	PS4648	683
Volvo		PS4640	683
Volvo		PS4647	683
Sundry Parts			
Pressure Switch Boot suits 3mm wire		SP9442	683
Pressure Switch Boot suits 4mm wire		SP9443	683
Pressure Switch Extension		AF8005	683
Harness & Boot - 4 Wire		PS4500	683
Harness & Boot - 2 Wire		PS4510	684

Binary Switches - Male 3/8" - 24 UNF

Part No	Low - Kg/Cm ² Cut out	High - Kg/Cm ² Cut out
PS1022	2.0±0.19	22.5±2.0
PS3610	2.1±0.20	24.0±1.0
PS1037	2.0±0.19	27.0±2.0
PS3111	2.0±0.19	30.0±2.0
PS3110	2.0±0.19	32.0±2.0



Binary Switches - Female 7/16" - 20 UNF

Part No	Low - Kg/Cm ² Cut out	High - Kg/Cm ² Cut out
PS4610	2.1±0.20	24.0±2.0
PS1031	2.0±0.19	26.5±2.0
PS3680	2.0±0.20	26.5±2.0
PS4110	2.0±0.20	32.0±2.0



Binary Switches - Male 3/8" - 24 UNF with Harness

Part No	Low - Kg/Cm ² Cut out	High - Kg/Cm ² Cut out	Lead Length
PS8743	2.0±0.19	22.5±2.0	175mm
PS3612	2.1±0.19	24.0±2.0	180mm
PS1035	2.0±0.19	27.0±2.0	175mm
PS3112	2.1±0.19	32.0±2.0	180mm



Binary Switches - Female 7/16" - 20 UNF with Harness

Part No	Low - Kg/Cm ² Cut out	High - Kg/Cm ² Cut out	Lead Length
PS8755	2.0±0.19	22.5±2.0	175mm
PS4620	2.1±0.20	24.0±2.0	180mm
PS1036	2.0±0.19	27.0±2.0	175mm
PS4120	2.0±0.19	32.0±2.0	180mm



Trinary Switches - Male 3/8" - 24 UNF with Harness

Part No	Low - Kg/Cm ² Cut out	Med - Kg/Cm ² Cut in	High - Kg/Cm ² Cut out	Terminal Type
PS3632	2.1±0.20	17.0±1.3	24.0±2.0	2 x Male, 2 x Female
PS3132	2.1±0.19	17.5±1.3	26.0±2.0	2 x Male, 2 x Female
PS1039	2.0±0.19	17.0±1.3	27.0±2.0	4 x Male
PS3172	2.0±0.19	17.5±1.3	28.0±2.0	4 x Male



Trinary Switches - Female 7/16" - 20 UNF with Harness

Part No	Low - Kg/Cm ² Cut out	Med - Kg/Cm ² Cut in	High - Kg/Cm ² Cut out	Terminal Type
PS4632	2.1±0.19	17.5±1.0	24.0±2.0	2 x Male, 2 x Female
PS1040	2.0±0.20	17.0±1.3	27.0±2.0	4 x Male
PS4132	2.1±0.19	17.5±1.3	28.0±2.0	2 x Male, 2 x Female



PS4666

Alfa Romeo 145, 146, 147, 156, GTV, Spider

Thread:
Female 7/16" - 20 UNF



60625482

PS4660

Audi A3 1.6Lt, 1.8Lt, 9/96>

Thread:
Female 7/16" - 20 UNF



1H0959139B

PS4661

Audi A4, 94-96

Medium:
17kg/cm²
High:
30kg/cm²
Thread:
Female M10 x 1.25



8D0959482

PS4649

Audi A4, A6, A8

Trinary

Low:
2.0kg/cm²
Medium:
16.5kg/cm²
High:
32.0kg/cm²
Thread:
Female M10 x 1.25



8D0959482B

PS5178

Audi A3, A4, A6, A8, 5/97>
Audi Q7, 9/06>
Audi TT, 5/99>

Thread:
Female 7/16" - 20 UNF



Transducer
1K0959126B

PS3617

BMW 3 Series E36, 8 Series E31
Z3 Roadster & Coupe

Low:
1.8kg/cm²
Medium:
18.3kg/cm²
High:
30.5kg/cm²
Thread:
Female 7/16" - 20 UNF



64538362055

PS4659

BMW 5 Series E39, 7 Series E38, 96-04

Low:
1.2kg/cm²
Medium:
20kg/cm²
High:
32kg/cm²
Thread:
Female 7/16" - 20 UNF



64538391639

PS5181

BMW 3 Series E46, 5 Series E39, 98-05
BMW X5, E53, 11/00>
BMW Z4, E85, 7/03>

Thread:
Male 3/8" - 24 UNF



Transducer
64536909257

PS4650

BMW

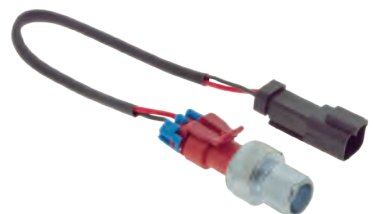
Low:
2.0kg/cm²
Medium:
17.5kg/cm²
High:
32.0kg/cm²
Thread:
Female 7/16" - 20 UNF



PS4675

Caterpillar

Low:
2.0kg/cm²
High:
32.0kg/cm²
Thread:
Female 7/16" - 20 UNF



114-5333

PS8116
Chrysler PT Cruiser, 06-07

Cycling switch

Low:
2.45kg/cm² on
Low:
1.55kg/cm² off



5058736AA
5058487AA

PS8803
Citroen AX, XM, Xantia, Xsara, Berlingo 94-05

Trinary

Low:
2.0kg/cm²
Medium:
17.3kg/cm² on
High:
26.5kg/cm²
Thread:
Female 7/16" - 20 UNF



6455T2, 9614390780
961534068, 9620143680

PS0030
Daihatsu
Refer Application Guide
Binary

Low:
2.0kg/cm² off
High:
32.0kg/cm²
Thread:
Male M11 x 1.0



PS8743
Daihatsu
Refer Application Guide

Low:
2.0kg/cm²
High:
22.5kg/cm²
Thread:
Male 3/8" - 24 UNF



PS4666
Fiat Ducato
Fiat Punto

Thread:
Female 7/16" - 20 UNF



60625482

PS4649
Fiat

Trinary

Low:
2.0kg/cm²
Medium:
16.5kg/cm²
High:
32.0kg/cm²
Thread:
Female 7/16" - 20 UNF



PS3619
Ford Escape, 00>
Ford Mondeo, 9/96-11/00
Ford Taurus, 3/96-9/98

Low:
3.1kg/cm² on
Low:
1.7kg/cm² off
Thread:
Female M12 x 1.25



PS7140
Ford Falcon BA, BF, FG, 9/02>

Transducer

Thread:
Male M11 x 1.0



PS4652
Ford Falcon AU, 9/98-9/02

Transducer

Thread:
Female M10 x 1.25



6F9Z19D594AA

PS3110
Ford Falcon ED, EF, EL, 8/93-8/98

Binary

Low:
2.0kg/cm²
High:
32.0kg/cm² off
Thread:
Male 3/8" - 24 UNF



PS3111

Ford Falcon XF, XG, XH, EA, EB, EBII, 10/84-8/93

Low:
2.0kg/cm²
High:
30.0kg/cm² off
Thread:
Male 3/8" - 24 UNF



PS8743

Ford Laser KA, KB, KC, KE, KF, 81-9/91
Ford Meteor GA, GB, GC, 81-87
Ford Telstar AR, AS, 81-90

Low:
2.0kg/cm²
High:
22.5kg/cm²
Thread:
Male 3/8" - 24 UNF



PS8826

Ford Laser KJ, KN, KQ, 94-8/02
Ford Telstar AX, AY, 91-97
Binary

Low:
2.0kg/cm²
High:
32.0kg/cm² off
Thread:
Male 3/8" - 24 UNF



PS4643

Ford Louisville, Sterling

Cycling switch

Low:
3.1kg/cm² on
Low:
1.7kg/cm² off
Thread:
Female M12 x 1.5



89360-090703

PS4654

Ford Transit

Medium:
19.0kg/cm² on
High:
33.0kg/cm² off
Thread:
Female M10 x 1.25



PS4653

Ford

Cycling switch

Low:
3.1kg/cm² on
Low:
1.7kg/cm² off
Thread:
Female 7/16" - 20 UNF



PS7077

Freightliner

Binary

Thread:
Female M10 x 1.25



22-43249

PS0140

Hino Truck

Denso 24V

Low:
2.0kg/cm² off
Medium:
18.0kg/cm² on
High:
32.0kg/cm² off
Thread:
Male M11 x 1.0



PS3201

Holden Apollo JM, JP, 3/93-5/97

Low:
1.96kg/cm² off
Medium:
15.2kg/cm² off
High:
31.4kg/cm²
Thread:
Male M11 x 1.0



PS3686

Holden Astra TS, 9/98-1/07
Holden Barina XC, 2/01-7/04
Transducer

Thread:
Female M10 x 1.25



PS3615

Holden Astra TR, 9/96-9/98
Holden Barina SB, 4/94-00
Holden Calibra YE, 10/91-7/98

Low:
2.4kg/cm² on
Low:
1.8kg/cm² off
Thread:
7/16" - 20 UNF



PS1035

Holden Astra, 84-91

Low:
2.1kg/cm²
High:
26.5kg/cm²
Thread:
Male 3/8" - 24 UNF



Zexel system

PS1039

Holden Astra, 84-91
Holden Camira JB, JD, JE, 82-89

Low:
2.0kg/cm²
Medium:
17.0kg/cm²
High:
27.0kg/cm²
Thread:
Male 3/8" - 24 UNF



Zexel system

PS3392

Holden Commodore VE, 8/06>

Transducer



22678731

PS3686

Holden Commodore VT, VX, VY, VU Ute, 9/97-7/04
Holden Monaro CV6, CV8, 12/01-9/04
Transducer

Thread:
Female M10 x 1.25



PS3202

Holden Commodore VR, VS, 7/93-8/97

Trinary

Low:
1.96kg/cm² off
Medium:
17.7kg/cm² on
High:
31.4kg/cm² off
Thread:
Male 3/8" - 24 UNF



PS3680

Holden Commodore VN, VP, VR, VS, VG Ute, 8/88-8/97

HPCO

Low:
2.0kg/cm²
High:
26.5kg/cm²
Thread:
Female 7/16" - 20 UNF



PS3685

Holden Commodore VN, VP, VG Ute, 8/88-7/93

LP Cycling switch

Low:
2.8kg/cm² on
Low:
0.5kg/cm² off
Thread:
Female 7/16" - 20 UNF



PS4110

Holden Commodore VN, VP, VR, VS, VG Ute, 8/88-8/97

HPCO

Low:
2.0kg/cm²
High:
32.0kg/cm²
Thread:
Female 7/16" - 20 UNF



PS1018

Holden Commodore VL, 3/86-8/88

Fan

Low:
2.0kg/cm²
Medium:
17.5kg/cm²
Thread:
Male 3/8" - 24 UNF



PS3201

Holden Nova LF, LG, 9/91-4/97

Low:
2.0kg/cm² off
Medium:
15.4kg/cm² off
High:
32.0kg/cm² off
Thread:
Male M11 x 1.0



PS7179

Holden Rodeo RA03 2.4Lt, 3.0Lt, 3.5Lt, 03-09

92148040



PS3686

Holden Statesman WH, 6/99-4/03

Transducer

Thread:
Female M10 x 1.25



PS3680

Holden Statesman VQ, 3/90-2/94

HPCO

Low:
2.0kg/cm²
High:
26.5kg/cm²
Thread:
Female 7/16" - 20 UNF



PS4110

Holden Statesman VQ, 3/90-2/94

HPCO

Low:
2.0kg/cm²
High:
32.0kg/cm²
Thread:
Female 7/16" - 20 UNF



PS3613

Holden Vectra JR, JS, 6/97-12/02

Low:
2.0kg/cm² off
Medium:
11.2kg/cm² on
High:
30kg/cm² off
Thread:
Female 7/16" - 20 UNF



90506751

PS3616

Holden Vectra JR, JS, 6/97-12/02

Low:
1.4kg/cm²
Medium:
18.0kg/cm²
High:
24.0kg/cm²
Thread:
Female 7/16" - 20 UNF



90606752

PS4640

Holden, GM

LPCO

Low:
3.1kg/cm² on
Low:
1.7kg/cm² off
Thread:
Female 7/16" - 20 UNF



PS4641

Holden, GM

LPCO

Low:
3.1kg/cm² on
Low:
1.7kg/cm² off
Thread:
Female M12 x 1.5



PS4642

Holden, GM

LPCO

Low:
3.3kg/cm² on
Low:
1.9kg/cm² off
Thread:
Female 7/16" - 20 UNF



619902-507

PS4644

Holden
GM Imports
LPCO

Low:
3.1kg/cm² on
Low:
1.7kg/cm² off
Thread:
Female 7/16" - 20 UNF



52457853

PS8743

Honda Accord, Civic, Integra, Prelude, >94

Low:
2.0kg/cm²
High:
22.5kg/cm²
Thread:
Male 3/8" - 24 UNF



PS3207

Honda Accord, Civic, CRV, HRV, Prelude, 94-02

Suits CN5273

Low:
2.0kg/cm²
High:
32.0kg/cm² off
Thread:
Male M11 x 1.0



PS3205

Honda Accord, Prelude, 91-93

Low:
2.0kg/cm²
High:
30.0kg/cm² off
Thread:
Male 3/8" - 24 UNF



PS3614

Honda Civic

Low:
2.0kg/cm² off
High:
32.0kg/cm² off
Thread:
Male M11 x 1.0



PS8743

Hyundai Excel, 87-90

Low:
2.0kg/cm²
High:
22.5kg/cm²
Thread:
Male 3/8" - 24 UNF



PS7189

Hyundai Sonata EF, 99-05

Trinary, suits RD7189

Low:
2.0kg/cm² off
Medium:
15.4kg/cm² on
High:
32.0kg/cm² off
Thread:
Male 3/8" - 24 UNF



PS4643

Hyundai Sonata Y3, 94-99

Cycling switch

Low:
3.1kg/cm² on
Low:
1.7kg/cm² off
Thread:
Female M12 x 1.5



PS4653

Hyundai Sonata Y2, 90-94

Cycling switch

Low:
3.1kg/cm² on
Low:
1.7kg/cm² off
Thread:
Female 7/16" - 20 UNF



PS1035

International Truck

Low:
2.1kg/cm²
High:
26.5kg/cm²
Thread:
Male 3/8" - 24 UNF



PS1037
International Truck

Low:
1.8kg/cm²
High:
27.0kg/cm²
Thread:
Male 3/8" - 24 UNF



PS1039
International Truck

Low:
2.0kg/cm²
High:
27.0kg/cm²
Thread:
Male 3/8" - 24 UNF



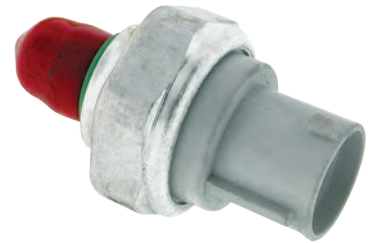
PS0580
Isuzu

Low:
1.96kg/cm² off
Medium:
15.2kg/cm² on
High:
31.4kg/cm² off
Thread:
Male M11 x 1.0



PS3211
Isuzu

Low:
2.0kg/cm²
High:
27.0kg/cm²
Thread:
Male M11 x 1.0



PS4655
Jaguar

Low:
2.4kg/cm²
Medium:
12kg/cm² on
High:
30.5kg/cm²
Thread:
Female 7/16" - 20 UNF



LJA7658AA

PS8116
Jeep Cherokee XJ, 98-03
Jeep Wrangler TJ, 98-03
Cycling switch

Low:
2.45kg/cm² on
Low:
1.55kg/cm² off



4897613AA

PS4653
Jeep Cherokee

Cycling switch

Low:
3.1kg/cm² on
Low:
1.7kg/cm² off
Thread:
Female 7/16" - 20 UNF



PS7650
Kenworth
Trinary 71R7650
Normally Closed

Low:
2.81kg/cm² on
2.1-1.05kg/cm off
High:
Open 22.8kg/cm²
Close 5.6-8.4kg/cm²
Fan:
Open 2.4-4.2kg/cm²
Close 14.05kg/cm²
Thread:
Female 7/16" - 20 UNF



PS8743
Mazda B Series

Low:
2.0kg/cm²
High:
22.5kg/cm²
Thread:
Male 3/8" - 24 UNF



PS0030
Mazda B Series
Mazda MX5
Binary

Low:
2.0kg/cm² off
High:
32.0kg/cm²
Thread:
Male M11 x 1.0



PS8826

Mazda 323, 626, MX6, 94-12/03
Mazda BT50, 11/06>
Binary

Low:
2.0kg/cm²
High:
32kg/cm²
Thread:
Male 3/8" - 24 UNF



MAZD0973984

PS1039

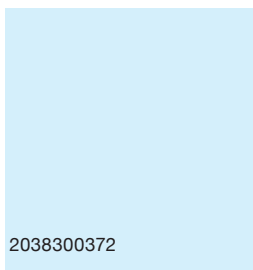
Mercedes Sprinter, Vito

Low:
2.0kg/cm²
Medium:
17.0kg/cm²
High:
27.0kg/cm²
Thread:
Male 3/8" - 24 UNF



PS4657

Mercedes C Class W203, 00-07



2038300372

PS3610

Mercedes

Low:
2.1kg/cm²
High:
24.0kg/cm²
Thread:
Male 3/8" - 24 UNF



PS3620

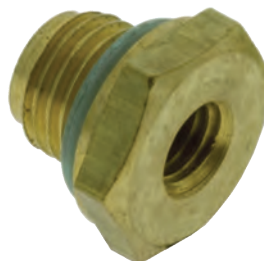
Mercedes
Refer Application Guide

Thread:
Male 3/8" - 24 UNF



AF4006

Mercedes
Adaptor temperature switch



PS5181

Mini Cooper R56, 3/07>

Transducer

Thread:
Male 3/8" - 24 UNF



64539141957

PS1035

Mitsubishi Pajero NE, NF, 82-91

Low:
2.1kg/cm²
High:
26.5kg/cm²
Thread:
Male 3/8" - 24 UNF



PS0030

Mitsubishi Pajero NJ, NL, 91-00

Binary

Low:
2.0kg/cm² off
High:
32.kg/cm²
Thread:
Male M11 x 1.0



PS3203

Mitsubishi
Refer Application Guide

Low:
2.0kg/cm²
High:
30.0kg/cm² off
Thread:
Male 3/8" - 24 UNF



PS8743
Mitsubishi
 Refer Application Guide

Low:
 2.0kg/cm²
High:
 22.5kg/cm²
Thread:
 Male 3/8" - 24 UNF



PS8742
Nissan Bluebird
 Fan (Condenser)

Medium:
 15.0kg/cm²
Thread:
 Male 3/8" - 24 UNF



PS1041
Nissan Navara

Trinary

Low:
 1.8kg/cm² off
Medium:
 17.5kg/cm² on
High:
 29.0kg/cm² off
Thread:
 Male 3/8" - 24 UNF



PS5176
Nissan Maxima, 04>
Nissan Pulsar N16, N16E, 04>
Nissan X-Trail

Thread:
 Male 3/8" - 24 UNF

Transducer



PS3206
Nissan Pulsar N15, 95-00

Binary

Low:
 2.0kg/cm²
High:
 27.0kg/cm²
Thread:
 Male 3/8" - 24 UNF



PS1039
Nissan Patrol, Pintara FWD
Nissan Pulsar, Skyline

Low:
 2.0kg/cm²
Medium:
 17.0kg/cm²
High:
 27.0kg/cm²
Thread:
 Male 3/8" - 24 UNF



PS3612
Nissan

Binary

Low:
 2.1kg/cm²
High:
 24.0kg/cm²
Thread:
 Male 3/8" - 24 UNF



PS1035
Nissan
 Refer Application Guide

Low:
 2.1kg/cm²
High:
 26.5kg/cm²
Thread:
 Male 3/8" - 24 UNF



PS8803
Peugeot 205, 206, 306, 405
406, 605, Expert, 90>
Trinary

Low:
 2.0kg/cm²
Medium:
 17.3kg/cm² on
High:
 26.5kg/cm²
Thread:
 Female 7/16" - 20 UNF

6455T2, 9614390780
 961534068, 9620143680



PS0030
Proton Persona 07-10, Satria 95>
Proton Wira 93-07
Binary

Low:
 2.0kg/cm² off
High:
 32.0kg/cm²
Thread:
 Male M11 x 1.0



PS8755
Range Rover Early
with AMC system

Low:
2.0kg/cm²
High:
22.5kg/cm²

PS6060
Red Dot 71R6060
Binary Normally Open

Low:
Open 0.77kg/cm²
Low:
Close 2.95kg/cm²
Thread:
Female 7/16" - 20 UNF

PS6070
Red Dot 71R6070
Binary Normally Closed

High:
Open 24.0kg/cm²
High:
Close 14.76kg/cm²
Thread:
Female 7/16" - 20 UNF

PS6100
Red Dot 71R6100
Binary Normally Open

High:
Open 13.3kg/cm²
High:
Close 17.5kg/cm²
Thread:
Female 7/16" - 20 UNF

PS6120
Red Dot 71R6120
Binary Normally Closed

High:
Open 24.0kg/cm²
High:
Close 14.76kg/cm²
Thread:
Female 7/16" - 20 UNF

PS6140
Red Dot 71R6140
Binary Normally Open

High:
Open 13.3kg/cm²
High:
Close 17.5kg/cm²
Thread:
Female 7/16" - 20 UNF

PS6150
Red Dot 71R6150
Heat Switch, Thermal Limiter
GM R-12 Fan Override

Low:
Open 1.4-2.3kg/cm²
Close 1.6-2.6kg/cm²
High:
Open 22.1-24.9kg/cm²
Close 15.1-19.3kg/cm²
Thread:
Female

PS6160
Red Dot 71R6160
Fan Override Normally Open

High:
Open 14.0kg/cm²
Close 18.9kg/cm²
Thread:
Female M10 x 1.25

PS6180
Red Dot 71R6180
Binary Normally Closed

High:
Open 12.6-16.8kg/cm²
Close 23.2-26.01kg/cm²
Thread:
Female M10 x 1.25

PS6181
Red Dot 71R6181
Normally Closed

Low:
2.5kg/cm² on
Thread:
Female M12 x 1.25

PS6183
Red Dot 71R6183

Normally Closed

High:
Open 26.4kg/cm²
High:
Close 14.4kg/cm²
Thread:
Female M10 x 1.25



PS6210
Red Dot 71R6210

Normally Closed

High:
Open 21.1kg/cm²
High:
Close 17.8kg/cm²
Thread:
Female M10 x 1.25



PS6230
Red Dot 71R6230

Normally Closed

High:
Open 26.4kg/cm²
High:
Close 17.8kg/cm²
Thread:
Female 7/16" - 20 UNF



PS7010
Red Dot 71R7000

Binary

Low:
2.81kg/cm² on
2.1-1.05kg/cm² off
High:
Open 18.9-23.2kg/cm²
Close 5.6-8.4kg/cm²
Thread:
Male 3/8" - 24 UNF



PS7050
Red Dot 71R7050

Binary

Low:
2.81kg/cm² on
2.1-1.05kg/cm² off
High:
Open 18.9-23.2kg/cm²
Close 5.6-8.4kg/cm²
Thread:
Female 7/16" - 20 UNF



PS7500
Red Dot 71R7500

Trinary Normally Open

Low:
2.81kg/cm² on
2.1-1.05kg/cm² off
High:
Open 22.8kg/cm²
Close 5.6-8.4kg/cm²
Fan:
Open 2.4-4.2kg/cm²
Close 14.05kg/cm²
Thread:
Male 3/8" - 24 UNF



PS7550
Red Dot 71R7550

Trinary Normally Open

Low:
2.81kg/cm² on
2.1-1.05kg/cm² off
High:
Open 22.8kg/cm²
Close 5.6-8.4kg/cm²
Fan:
Open 2.4-4.2kg/cm²
Close 14.05kg/cm²
Thread:
Female 7/16" - 20 UNF



PS7600
Red Dot 71R7600

Trinary Normally Closed

Low:
2.81kg/cm² on
2.1-1.05kg/cm² off
High:
Open 22.8kg/cm²
Close 5.6-8.4kg/cm²
Fan:
Open 2.4-4.2kg/cm²
Close 14.05kg/cm²
Thread:
Male 3/8" - 24 UNF



PS7650
Red Dot 71R7650

Trinary Normally Closed

Low:
2.81kg/cm² on
2.1-1.05kg/cm² off
High:
Open 22.8kg/cm²
Close 5.6-8.4kg/cm²
Fan:
Open 2.4-4.2kg/cm²
Close 14.05kg/cm²
Thread:
Female 7/16" - 20 UNF



PS4500
Harness & Boot - 4 Wire
Red Dot Trinary switches



PS4510
 Harness & Boot - 2 Wire
 Red Dot Binary switches

PS4663
 Renault Megane, 5/01>

Low:
 2.0kg/cm²
Medium:
 18.0kg/cm²
High:
 28.0kg/cm²
Thread:
 Female 7/16" - 20 UNF

7700424025

PS4665
 Saab 9000, 90-94

Low:
 2.0kg/cm²
Medium:
 15.0kg/cm²
High:
 27.0kg/cm²
Thread:
 Female 7/16" - 20 UNF

9627159

PS5178
 Seat Cordoba, Ibiza, Toledo, 1/95-10/99

Transducer

Thread:
 Female 7/16" - 20 UNF

1K0959126B
 8E0959126

PS8690
 Subaru Outback, 10>

Low:
 1.96kg/cm² off
Medium:
 15.2kg/cm² off
High:
 31.4kg/cm²
Thread:
 Male M11 x 1.0

PS0030
 Suzuki
 Refer Application Guide
 Binary

Low:
 2.0kg/cm² off
High:
 32.0kg/cm²
Thread:
 Male M11 x 1.0

PS8690
 Toyota Camry ACV36, MCV36, 9/02-6/06

Low:
 1.96kg/cm² off
Medium:
 15.2kg/cm² off
High:
 31.4kg/cm²
Thread:
 Male M11 x 1.0

PS3200
 Toyota Camry

Cooltemp systems

Low:
 1.96kg/cm² off
Medium:
 15.2kg/cm² off
High:
 31.4kg/cm²
Thread:
 Male 3/8" - 24 UNF

PS7140
 Toyota Hiace

Transducer

Thread:
 Male M11 x 1.0

PS0630
 Toyota Landcruiser 100 Series

Low:
 2.0kg/cm² off
Medium:
 15.4kg/cm² on
High:
 32.0kg/cm² off
Thread:
 Male M11 x 1.0

PS0720

Toyota

Low:
1.96kg/cm² off
Medium:
15.2kg/cm² on
High:
31.4kg/cm² off
Thread:
Male M11 x 1.0



PS8743

Toyota
Refer Application Guide

Low:
2.0kg/cm²
High:
22.5kg/cm²
Thread:
Male 3/8" - 24 UNF



PS3201

Toyota
Refer Application Guide

Low:
1.96kg/cm² off
Medium:
15.2kg/cm² off
High:
31.4kg/cm²
Thread:
Male M11 x 1.0



PS8827

Toyota
Refer Application Guide

Low:
1.96kg/cm² off
Medium:
15.2kg/cm² on
High:
31.4kg/cm² off
Thread:
Male M11 x 1.0



PS0030

Toyota
Refer Application Guide
Binary

Low:
2.0kg/cm² off
High:
32.0kg/cm²
Thread:
Male M11 x 1.0



PS5178

Volkswagen Beetle, Bora, Caddy III, Golf IV, Jetta, Lupo, Polo, Touareg, Transporter T5, 98-05
Transducer

Thread:
Female 7/16" - 20 UNF

1J0959126
1K0959126A, 1K0959126B



PS4649

Volkswagen Beetle, Bora, Golf III, Passat IV, Polo, Transporter T4
Trinary

Low:
2.0kg/cm²
Medium:
16.5kg/cm²
High:
32.0kg/cm²
Thread:
Female 7/16" - 20 UNF

1H0959139B
95VW19N715AB



PS3621

Volkswagen Passat, 2/01>

Low:
1.2kg/cm²
Medium:
15.0kg/cm²
High:
30.0kg/cm²
Thread:
Female M10 x 1.25



PS0030

Volkswagen Transporter

Binary

Low:
2.0kg/cm² off
High:
32.0kg/cm²
Thread:
Male M11 x 1.0



PS4646

Volvo

Low:
3.1kg/cm² on
1.7kg/cm² off
Thread:
Female M12 x 1.5



PS4641
Volvo

LPCO

Low:
3.1kg/cm² on
1.7kg +/-0.5kg/cm² off
Thread:
Female M12 x 1.5



PS4648
Volvo, >93

Medium Pressure Fan

Medium:
20.5kg/cm² on
15.5kg/cm² off
Thread:
Female 7/16" - 20 UNF



PS4640
Volvo

LPCO

Low:
3.1kg/cm² on
1.7kg +/-0.5kg/cm² off
Thread:
Female 7/16" - 20 UNF



PS4662
Volvo 240, 92-93

Violet

Medium:
19.0kg/cm² on
29.0kg/cm² off
Thread:
Female M12 x 1.5

6841190
6848534



PS4645
Volvo 940, 960, >93

LPCO

Low:
3.1kg/cm² on
1.7kg +/-0.5kg/cm² off
Thread:
Female 7/16" - 20 UNF



PS4647
Volvo Various

Medium Pressure Fan

Medium:
19.0kg/cm² on
14.0kg/cm² off
Thread:
Female M12 x 1.5



SP9442
Pressure Switch Boot
suits 3mm wire




SP9443
Pressure Switch Boot
suits 4mm wire



AF8005
Pressure Switch Extension



PS4500
Harness & Boot - 4 Wire
Red Dot Trinary switches



PS4510

Harness & Boot - 2 Wire
Red Dot Binary switches



Make & Model	Year	Part No.	Page No.
Alfa Romeo			
33		RD2038	701
156	99-06	RD7001	702
164	90-97	RD4164	702
Audi			
80, 2.0, 2.6, 2.8Lt	92-96	RD0080	702
80, 90		RD0082	702
100, 2.8Lt	94>	RD0081	702
100		RD0086	702
100 LS		RD2038	702
A3	04>	RD7320	702
A3	97-04	RD5401	702
A4	07>	RD0088	702
A4	95-01	RD0080	703
A4		RD0084	703
A4 Cabriolet, Coupe		RD0082	702
A5	08>	RD0088	702
A6	95>	RD0080	702
A6		RD0086	703
A6		RD1460	703
Audi		RD8517	703
Q7		RD4055	703
Quattro, 2.8Lt, 4Dr	94>	RD0081	703
S3	97>	RD5401	703
S6		RD1460	703
TT Coupe & Roadster	99-03	RD5401	703
BMW			
1 Series, E81, E82, E87, E88	10/04>	RD9177	703
3 Series, E90, E91, E92, E93	5/05>	RD9177	703
3 Series		RD4412	704
3 Series, E46	9/98>	RD9164	704
3 Series, E36	97>	RD9163	704
3 Series, E36	90-03	RD9152	704
3 Series, E30, 318	82-91	RD4435	704
3 Series, E30, 318, 323	82-87	RD4434	704
3 Series, E30, 320	81-83	RD4431	704
5 Series, E60	2/04>	RD9168	704
5 Series, E39	9/98>	RD9164	705
5 Series, E39	98>	RD9157	704
5 Series, E39	98>	RD9158	705
5 Series, E39	97>	RD9159	705
5 Series, E34	2/89-95	RD9151	705

Make & Model	Year	Part No.	Page No.
5 Series, E28	82-87	RD4433	705
6 Series, E28	82-87	RD4433	705
7 Series, E38	11/97>	RD9164	705
7 Series, E38, 740, 750, 840	94-8/97	RD9154	705
7 Series, E32, 730i, 735i, 740i, 750i	1/89>	RD9151	705
7 Series, E23	77-86	RD4430	705
8 Series, E31, 840, 850	4/90-99	RD9165	705
X3 E83		RD9164	705
X5 E53	5/00>	RD9169	706
X5		RD9167	706
Z3, 3.0Lt	97-03	RD9164	706
Z4, 3.0Lt	03>	RD9164	706
Case			
Case		RD7025	706
Case		RD8243	706
Case		RD8501	706
Case Tractor 70, 90, 94, 96		RD2088	706
Caterpillar			
Caterpillar		RD6029	706
Caterpillar		RD7018	706
Caterpillar		RD2563	707
Caterpillar		RD2564	707
Caterpillar		RD7119	707
Caterpillar		RD8211	707
Caterpillar		RD9748	707
Caterpillar		RD9749	707
Caterpillar		RD2590	707
Caterpillar		RD8261	707
Caterpillar 12H Grader		RD6024	707
Caterpillar 14G Grader		RD6025	707
Caterpillar 320B EXV		RD6164	708
Caterpillar PC1600		RD7190	708
Caterpillar		RD9012	708
Chrysler			
Neon	8/99>	RD9586	708
Neon	94-8/99	RD9580	708
Neon	94-99	RD9582	708
PT Cruiser		RD9583	708
Valiant CL, CM	76-81	RD2043	708
Voyager		RD9587	708
Voyager	2/97>	RD9581	709

Make & Model	Year	Part No.	Page No.	Make & Model	Year	Part No.	Page No.
Citroen				Mira L200	2/92-4/95	RD7003	712
Berlingo		RD1306	709	Move L601	97-00	RD7028	712
BX		RD4200	709	Pyzar G303	96-00	RD7001	712
C5	3/01>	RD7067	709	Rocky	95-99	RD7027	712
Saxo	5/96-9/03	RD4203	709	Rocky	84-94	RD6310	713
Xantia A		RD4201	709	Terios	97-4/99	RD7001	713
Xantia B		RD4202	709	Denso			
XM, 91		RD9779	709	Denso Bus & Coach FDR Rebuild kit		RD8005	713
Xsara	98-01	RD4503	709	Denso Bus & Coach FDR Rebuild kit		RD8021	713
Xsara	3/97>	RD7067	710	Denso Bus & Coach, 97>		RD8022	713
Cooltemp				Denso Universal		RD8010	713
Cooltemp System		RD6126	710	Denso Universal		RD8020	713
Daewoo				Denso Universal		RD8030	713
Cielo, 1.5Lt	1/95>	RD9655	710	Denso Universal		RD8040	714
Daewoo	>12/94	RD9696	711	Denso Universal		RD8060	714
Espero, 1.5Lt	1/95>	RD9655	710	Denso Universal		RD8080	714
Espero, 1.5Lt	<12/94	RD9776	710	Deutz			
Kalos	4/03>	RD9697	710	4.75 Tractor		RD3929	714
Kalos	4/03>	RD9698	710	Agroplus 80 Tractor	02>	RD3928	714
Lacetti	1/05>	RD5613	710	Eunos			
Lanos	97>	RD7046	710	30X	94>	RD7017	714
Leganza	97>	RD7047	710	30X	>94	RD7007	714
Matiz	99-04	RD7170	711	500	6/96>	RD7019	714
Musso	95>	RD7186	711	800	94-00	RD6200	714
Nubira	7/99>	RD7060	711	Fendt			
Nubira	97-6/99	RD7047	711	Tractor 275S		RD3930	715
Racer, 1.5Lt	1/95>	RD9655	711	Fiat			
Tacuma	11/00>	RD7060	711	Fiat Punto 188		RD9781	715
Daihatsu				Fiat		RD9777	715
Applause		RD8070	711	Ford			
Applause	11/93-8/97	RD7027	711	Aeromax L Series		RD9248	715
Applause	10/89-11/93	RD7003	712	Capri SE	7/93-7/94	RD7052	715
Charade G100, G102, G203	2/92>	RD7001	712	Capri SA, SC	10/89-7/93	RD7003	715
Charade G100, G102	6/87-1/93	RD7003	712	C-Max	2/07>	RD7122	715
Charade G100	87	RD7031	712	Courier	02>	RD7098	715
Charade G10, G11	85	RD6310	712	Courier, 2.6Lt Petrol	96>	RD6109	715
Daihatsu	8/97>	RD4040	713	Courier, 2.6Lt Petrol	89-96	RD6309	716
Delta	94	RD7027	712	Escape	12/00>	RD7096	716
Feroza F300, F310	93-96	RD7027	712	Escape	00>	RD7195	716
Feroza F300, F310	89-2/92	RD7003	712	Explorer UT, UX	96-01	RD2818	716
Handivan LV60	81	RD6310	712	F Series F250, F350	01>	RD2818	716
Hi-Jet S75	84	RD5160	712	Falcon FG	5/08>	RD4030	716
Mira L500	2/97>	RD7028	712				

Make & Model	Year	Part No.	Page No.
Falcon BA, BF	9/02-4/08	RD2823	716
Falcon AU	9/98-9/02	RD2819	716
Falcon EA, EB, EBII	3/88-8/93	RD2222	716
Falcon ED, EF, EL, XH	8/93-6/99	RD2807	716
Falcon EL	9/96-8/98	RD2814	716
Falcon XF, XG	10/84-8/96	RD4016	717
Falcon XE	10/83>	RD2163	717
Falcon XD, XE	4/81-10/83	RD2138	717
Falcon XD	4/81>	RD2106	717
Falcon XC	8/76-10/79	RD2082	717
Falcon XA, XB	72-76	RD2013	717
Festiva WD, WF	1/98>	RD7019	717
Festiva WB, WD, WF	2/95-12/96	RD6109	717
Festiva WB	4/94-12/96	RD7019	717
Fiesta WP, WQ, 1.6Lt	04>	RD7070	717
Fiesta	04>	RD3050	717
Focus LS	4/04>	RD7122	718
Focus LR	9/02>	RD7070	717
Laser KN	11/98>	RD7017	718
Laser KJ, KL	12/96-98	RD7048	718
Laser KJ	7/94>	RD7017	718
Laser KJ	5/94-12/94	RD7009	718
Laser KH	11/93-5/94	RD7015	718
Laser KF, KH	3/90-10/93	RD7010	718
Laser KA, KB, KC, KE	82-87	RD6310	718
Lincoln Town Car		RD6028	718
Louisville		RD2043	718
Maverick	88-94	RD9300	718
Maverick Y60	88-94	RD6359	719
Mondeo	00>	RD9584	719
Mondeo, 4 cyl	8/96-2/00	RD3020	719
Mondeo	95-8/96	RD3010	719
Probe	7/94-1/98	RD5061	719
Telstar AX, TX5	11/91-94	RD7009	719
Telstar AX	5/93-8/94	RD7017	719
Telstar AV	1/90-1/92	RD7015	719
Telstar AT	87-89	RD5015	719
Telstar	86	RD6310	719
Territory SZ	5/11>	RD4052	720
Territory SX, SY	5/04-4/11	RD2823	720
Tractor		RD3521	720
Tractor		RD7035	720
Tractor		RD6112	720

Make & Model	Year	Part No.	Page No.
Tractor 5610, 6610, 6710		RD7030	720
Tractor TS100		RD2100	720
Transit	6/94-3/00	RD3021	720
Transit		RD3026	720
Truck		RD8501	720
Freightliner			
FL80		RD6123	721
FL112		RD6113	721
FLC	81-83	RD2606	721
FLD112, 120 FL112	95>	RD3326	721
FLD120	94>	RD3146	721
FLX	10>	RD3327	721
Hino			
Hino		RD7056	721
Hino		RD7057	721
Hitachi			
AH400D, B40D, ZX670-3, ZX870-3		RD2043	721
EX120, EX150, EX200, EX300		RD3918	722
Hitachi	91-93	RD8239	722
Tractor ZX range		RD7193	722
Holden			
Apollo JM, JP	4/93-5/97	RD7001	722
Apollo JK, JL	8/89-3/93	RD7031	722
Astra AH		RD6331	722
Astra TS Series 2	12/01>	RD4055	722
Astra TS	10/98-12/01	RD6319	722
Astra TR	9/96-9/98	RD6317	722
Astra LB, LC, LD	6/84-7/89	RD0162	723
Astra LB, LC, LD	6/84-7/89	RD0128	723
Barina TK	12/05-10/11	RD9698	723
Barina XC	2/01-12/05	RD7059	723
Barina XC	2/01-12/05	RD7093	723
Barina SB	4/94>	RD9775	723
Barina SB	4/94-2/01	RD7049	723
Barina MF, MH	2/89-5/94	RD7006	723
Barina MF, MH	2/89-5/94	RD7005	723
Barina ML	4/87-1/89	RD7006	723
Barina MB	85-8/86	RD5160	724
Barina	85	RD6310	723
Calibra YE	10/91-7/98	RD9775	724
Camira JB-JE	8/82-7/89	RD0128	724
Colorado	08>	RD7079	724

Make & Model	Year	Part No.	Page No.	Make & Model	Year	Part No.	Page No.
Combo XC	9/02>	RD7093	724	Honda			
Combo XC	9/02>	RD7059	724	Accord	11/93-12/97	RD7001	727
Combo SB	2/96-00	RD7049	724	Accord	10/90-10/93	RD7003	727
Commodore VE	06>	RD6337J	724	Accord	84-86	RD7165	727
Commodore VY	10/02>	RD6129	724	Accord	79-82	RD7163	727
Commodore VY bracket	10/02>	CB6319	724	Accord	79-82	RD7167	728
Commodore VT, VX, VZ, VU Ute	9/97-8/07	RD6118	725	Accord	79-81	RD7164	728
Commodore VT, VX, VZ FDR Bracket	9/97-8/07	CB6318	725	Accord		RD6312	728
Commodore VR, VS	93-97	RD6108	725	Accord		RD7161	728
Commodore VR, VS FDR Bracket	93-97	CB6315	725	City	95-99	RD7168	728
Commodore VN, VP	8/88-9/91	RD6023	725	Civic Hybrid	07>	RD7103	728
Commodore VG Ute	8/90>	RD6023	725	Civic	07>	RD7106	728
Commodore VL, 6 cyl	3/86-8/88	RD6255	725	Civic	06-07	RD7103	728
Commodore VB-VL, 6 & 8 cyl	78-88	RD0134	725	Civic	95-03	RD7168	728
Commodore VB, VC	78-81	RD6012	725	Civic	94-95	RD7022	728
Cruze YG	6/02-6/06	RD7078	725	Civic	92-93	RD7016	728
Epica	07>	RD7196	725	Civic	88-92	RD7021	728
Jackaroo UBS92, UBS98	4/92>	RD7028	726	Civic	88-91	RD6159	729
Kingswood WB	80-85	RD9770	726	Civic	84-87	RD7158	729
Kingswood HG-HZ	70-80	RD2014	726	Civic	81-83	RD7157	729
Monaro V2C (From VIN L924425)	12/01-7/06	RD6129	724	Concerto	89-91	RD6159	729
Monaro V2C (Up to VIN L924424)	12/01-7/06	RD6118	726	Concerto	89-91	RD7021	729
Nova LG	10/95	RD7028	726	CRX	94-97	RD7022	729
Nova LF	9/91-10/94	RD7027	726	Integra	7/93-99	RD7022	729
Nova LE	8/89-8/91	RD7003	726	Integra	8/89-7/93	RD7016	729
Replacement V.I.R. Desiccant bag		RD8517	726	Integra	86-89	RD6759	729
Rodeo RA03	3/03>	RD7079	726	Jazz GE	8/08>	RD7103	729
Rodeo, 3.0Lt Turbo Diesel	02-03	RD7105	726	Odyssey		RD6312	729
Statesman WK	03-04	RD6129	724	Prelude	93>	RD6109	729
Statesman WK bracket	03-04	CB6319	724	Prelude 4 Wheel Steering	88>	RD6759	729
Statesman WH	99-03	RD6118	725	Prelude	79-82	RD6759	729
Statesman VQ	3/90-5/99	RD6023	725	Prelude	79-82	RD7166	729
Statesman WB	80-85	RD9770	726	Hyundai			
Vectra ZC	3/03>	RD7097	727	Accent	6/00>	RD6311	730
Vectra JR, JS, JS II	6/97>	RD6316	727	Accent	9/99>	RD4050	730
Vectra		RD9775	727	Elantra XD	00>	RD4050	730
Viva	05>	RD5613	727	Excavator 140L		RD6069	730
Zafira TT	6/01>	RD6319	727	Excel X3	94-99	RD7029	730
				Excel	94-97	RD7029	730
				Excel X2 GLS	4/93-94	RD6027	730
				Excel X2 GLS	90-4/93	RD6026	730
				FX Coupe	97-98	RD7186	731
				Grandeur XG	99>	RD7189	731

Make & Model	Year	Part No.	Page No.	Make & Model	Year	Part No.	Page No.
Lantra J2	11/94-00	RD7186	731	Wrangler		RD8118	735
Lantra	94>	RD6120	731	John Deere			
Lantra	91-94	RD6109	731	John Deere		RD5154	735
Lantra	91-93	RD6122	731	John Deere		RD6024	735
S Coupe	90-92	RD6026	731	John Deere		RD8240	735
Santa Fe	11/00-10/03	RD6311	731	John Deere		RD9751	735
Sonata	98-99	RD7189	731	John Deere		RD0460	735
Sonata, 2.0Lt DOHC	94>	RD7184	731	John Deere		RD1011	735
Sonata, 3.0Lt V6	92-93	RD7188	731	John Deere		RD9749	735
Sonata, 3.0Lt V6	90-91	RD7187	732	John Deere	91-93	RD8239	735
Sonata, 4 cyl	89-91	RD7008	732	Kawasaki			
Trajjet	01-07	RD6311	732	Kawasaki Loader HM400-2		RD9012	736
International				Kenworth			
International		RD2820I	732	Kenworth		RD2043	736
International		RD7025	732	Kenworth		RD2088	736
International Harvester		RD1003	732	Kenworth		RD2224	736
International Harvester 111-218		RD1002	732	Kenworth		RD3356	736
International S/T Line		RD9062	732	Kenworth		RD8133	736
International Truck		RD7130	732	Kenworth		RD8324	736
International Truck		RD7128	733	Kia			
Isuzu				Carnival	99>	RD7192	736
Isuzu	6/01-6/05	RD7066	733	Mentor	99>	RD7186	737
Isuzu N Series Truck	05>	RD7124	733	Optima		RD7189	736
Iveco				Pregio		RD9805	737
Iveco		RD7108	733	Rio		RD6360	737
Jaguar				Shuma	00>	RD7186	737
Sovereign	93-97	RD9201	733	Sportage	12/96>	RD9803	737
S Type		RD7082	733	Komatsu			
V12		RD9200	733	D375A-3, D475A-3		RD7190	737
XJ40		RD9050	733	PC300-6		RD7094	737
XJ6		RD9100	733	Kubota			
XJ8	98-06	RD9202	734	Kubota 75 ZX670-3, WA470-5, WA480-5	80	RD7190	737
XJS	93-97	RD9201	734	Kysor			
XK8		RD7084	734	Kysor		RD2496	737
JCB				Kysor		RD2529	737
JCB		RD6024	734	Kysor HD1000		RD2527	737
JCB		RD9749	734	Kysor Rooftop		RD2085	738
Jeep				Lancia			
Cherokee Sports	00>	RD8117	734	Kappa		RD9781	738
Cherokee	94-96	RD8115	734	Land Rover			
Grand Cherokee WJ, WG	99-01	RD8116	734	Defender	03>	RD7168	738
Grand Cherokee	96-98	RD8120	734	Discovery	97>	RD5561	738

Make & Model	Year	Part No.	Page No.	Make & Model	Year	Part No.	Page No.
Discovery	4/94-95	RD7027	738	626	90-93	RD7010	742
Discovery	93-4/94	RD7006	738	626 GV Wagon	90-93	RD5015	742
Discovery	89-94	RD5560	738	626 GD	6/90-12/91	RD7015	742
Freelander MY	7/02>	RD7072	738	626 GD	10/87-12/91	RD5015	742
Freelander	98-01	RD7069	738	626 GC	6/85-10/87	RD6159	742
Land Rover		RD8517	739	626 GC	83-7/87	RD6310	742
Lexus				626		RD7017	742
IS200 GXE10R	3/99-10/05	RD4050	739	929 HD 3.0Lt V6	4/91-8/93	RD7009	743
IS300 JCE10R	8/01-10/05	RD4050	739	929 HC	89-91	RD7015	743
LS430 UCF30R	11/00-3/07	RD4070	739	929 HC	89-91	RD7015	743
LX470 UZJ100R	5/98-3/08	RD4070	739	929 HC 3.0Lt V6	3/87-91	RD5015	743
LX570 URJ201R	4/08>	RD4070	739	929 HB 2.0Lt 4 cyl	84-87	RD6159	743
RX330 MCU38R	4/03-1/06	RD4070	739	BT50	06>	RD4040	743
RX350 GSU35R	2/06-6/09	RD4070	739	B series	8/02>	RD7098	743
RX450H GYL15R	6/09>	RD4085	739	B Series B2600	95	RD7001	743
M.A.N.				CX-7	11/06>	RD7152	743
M.A.N. Truck		RD3923	739	Mazda 2 Series 3		RD7085	741
Mack				Mazda 2 series 1 & 2	02>	RD7150	741
Mack		RD2229	739	Mazda 3	04>	RD7095	741
Mack Truck		RD3377	739	Mazda 6	2/08>	RD7152	743
Mack Ultraliner		RD3917	739	MPV LW10J2	02>	RD4050	743
Massey Ferguson				MPV LW10G1	99-02	RD4050	743
Massey Ferguson		RD6121	740	MPV LV10E2	95-96	RD7001	743
Massey Ferguson		RD2043	740	MPV LV10E1	93-96	RD7001	743
Massey Ferguson		RD2104	740	MX5	3/98>	RD7011	744
Massey Ferguson		RD9160	740	MX5	94	RD7028	744
Massey Ferguson Mark IV		RD0546	740	MX5	1/92-6/93	RD7005	744
Massey Ferguson Tractor		RD3930	740	MX5	91-94	RD7009	744
Mazda				MX5	8/89-91	RD7031	744
121 Series 2	96-00	RD6126	740	MX6 GE	11/91-12/93	RD7009	744
121 DB	11/90-1/94	RD7007	740	MX6 GD	10/87-12/91	RD5015	744
121 DA	3/87-11/90	RD6310	740	MX6	6/85-10/87	RD6159	744
121		RD7017	741	MX6	3/83-7/87	RD6310	744
323 Astina	8/98>	RD7017	741	RX7	1/92-6/93	RD7005	744
323 Astina	1/97>	RD7029	741	RX7	10/83-11/91	RD6310	744
323 BA	96-98	RD7048	741	RX7	79-88	RD7149	744
323	11/93-7/94	RD7006	741	Tribute	12/00>	RD7096	745
323 BG	8/89-1/94	RD7010	741	Mercedes			
323	10/80-8/89	RD6310	741	A Class	10/98>	RD6503	745
626 GF, GW	7/97>	RD7011	742	Actros	03>	RD3923	745
626	96-6/97	RD7044	742	Actros	4/96>	RD3935	745
626 GE	9/91-8/94	RD7009	742	Bus	97>	RD0010	745
				MB100 2.3Lt 4cyl Diesel	99-03	RD5015	745

Make & Model	Year	Part No.	Page No.
ML320	98-03	RD7022	745
R129 SL280, SL500, SL600		RD4414	745
Sprinter	07>	RD7115	745
Truck		RD9010	746
Truck	84-88	RD9011	746
Viano	03>	RD9170	746
Vito 112TD	01-04	RD7086	746
Vito 638	98-04	RD4404	746
Vito	9/03>	RD9170	746
W107 380SL, 380SLC, 450SL	81-85	RD4398	746
W107 560SL	86-89	RD4398M	746
W108 250S, 280S, 280SE	66-72	RD4108	746
W114 All	68-76	RD1114	746
W115, 222, 240, 250	68-76	RD4401	747
W116	73-81	RD1116	747
W123	81-85	RD0123	747
W123 300CDT, 300D, DT, TD	81-85	RD1123	747
W124 260E, 300CE/D/E/TE	85-95	RD1124	747
W124 E300D, E320	85-95	RD1124	747
W126 230, 240D, 280CE, 280E	80-86	RD1126	747
W126 380SE/SEC/SEL V8	80-86	RD1128	747
W126 500SEC/SEL	80-86	RD1128	747
W140 400SE/SEL, 500SEL	91-99	RD4402	747
W140 S320	91-99	RD4404	747
W163 ML270, ML320, ML350, ML430	98-03	RD9806	747
W169 A Class	5/05>	RD6505	748
W168 A Class	7/97>	RD6504	748
W245 B Class	11/05>	RD6505	748
W201 190, SL300, SL320, SL500	90-98	RD4400	748
W202 C180, 220	94-00	RD4403	748
W202 C200	94-00	RD4409	748
W203	02-07	RD4407	748
W210 E230	95-02	RD4406	748
W210 E230	95-02	RD4405	748
W211 E270	04-09	RD7191	748
W220 S Class	4/99>	RD7086	748
W901 Sprinter		RD7086	748

Make & Model	Year	Part No.	Page No.
MG			
MGF 1.8Lt	97-00	RD9780	749
Roadster	96>	RD9780	749
Mini			
Cooper	02>	RD7072	749
Mitsubishi			
380	10/05-4/08	RD4070	749
Challenger	00>	RD7039	749
Colt	04>	RD7171	749
Colt RA-RE	81-90	RD0408	749
Delica		RD7037	749
FK600		RD6128	749
Galant HG,HH	11/88-11/92	RD2428	749
L300 SF-SJ	8/86-8/98	RD0112	750
L300, 4 & 6 cyl		RD6109	750
L400 WA	00>	RD7061	750
L400 Starwagon WA	00>	RD7037	750
L400 Express	94>	RD7026	750
Lancer CJ	10/07>	RD5179	750
Lancer CG, CH Sedan	7/02>	RD7071	750
Lancer CC-CE	92-03	RD7039	750
Lancer CC Sedan, Wagon	92-96	RD7023	750
Lancer CC	92-96	RD6106	750
Lancer CA-CC	6/88-7/97	RD0112	751
Magna TL, TW	6/03>	RD7101	751
Magna TJ	00-03	RD7061	751
Magna TE, TF, TH, TJ	96-03	RD7039	751
Magna TE	96-97	RD7023	751
Magna TS	3/94-3/96	RD7001	751
Magna TR	93-94	RD7003	751
Magna TM-TP	85-92	RD6309	751
Mirage CC-CE	92-03	RD7039	750
Nimbus UG	98-03	RD4050	751
Nimbus UF	6/91-8/98	RD0112	751
Nimbus UA-UC	84-92	RD6159	752
Outlander	1/07>	RD5179	752
Outlander ZE	03-05	RD7071	752
Pajero iO, QA	11/98-1/02	RD7077	752
Pajero NJ-NL	93-00	RD7001	752
Pajero NG, NH	89-8/93	RD0112	752
Pajero NA	83-84	RD0126	752
Rosa		RD7325	752
Sigma GE, GH, GJ, GK	77-85	RD0069	752

Make & Model	Year	Part No.	Page No.	Make & Model	Year	Part No.	Page No.
Triton MK	96-06	RD7039	753	Patrol Y60 GQ	88>	RD5010	756
Triton MK	96-01	RD7061	752	Patrol Y60 MQ	80-87	RD6260	756
Triton ME-MJ	3/86-6/94	RD0112	752	Patrol		RD0134	756
Truck		RD7065	752	Pintara		RD0134	756
Truck		RD7091	752	Prairie M10	82-88	RD0162	756
Verada KL, KW	6/03>	RD7101	752	Pulsar N16	6/03>	RD7068	757
Verada KJ	00>	RD7061	752	Pulsar N16	6/03>	RD5177	757
Verada KR, KS	93-96	RD7003	752	Pulsar N16	6/03>	RD5176	757
New Holland				Pulsar N16E Hatchback	6/03>	RD7068	757
New Holland		RD8501	753	Pulsar N16E Hatchback	9/01>	RD5178	757
New Holland		RD8243	753	Pulsar N16E Hatchback	9/01>	RD5177	757
Nissan				Pulsar N16E Hatchback	9/01>	RD5176	757
200B	77-81	RD6260	754	Pulsar N15	2/98-7/00	RD6117	757
200B	77-81	RD7145	754	Pulsar N15	6/96-2/98	RD7041	757
200SX S14	7/96>	RD7041	754	Pulsar N15	4/96-3/97	RD7023	757
200SX	84-86	RD5010	754	Pulsar N15	5/95-6/96	RD7053	757
300C	84-88	RD7133	754	Pulsar N14	1/94-8/95	RD7036	757
300ZX Z32	9/92-1/94	RD7131	754	Pulsar N14	11/91-94	RD7006	757
300ZX Z31	1/84-91	RD7131	754	Pulsar N12	83-86	RD0162	758
350Z Z33	2/03>	RD7068	754	Pulsar	82-87	RD5010	758
Bluebird U13	10/93-12/97	RD7041	754	Serena C23	3/92-9/94	RD7006	758
Bluebird U13	10/93-12/97	RD7036	754	Skyline R34	98-99	RD7053	758
Bluebird		RD7015	754	Skyline R32	92>	RD7113	758
Civilian Bus		RD2164	755	Skyline RWD		RD0134	756
Dualis J10	12/07>	RD7118	755	Skyline		RD6260	758
Maxima	03>	RD5179	755	Stanza PA10	78-83	RD7113	758
Maxima	10/93-10/95	RD7036	755	Terrano R20	7/93-10/94	RD7036	758
Maxima J30	10/92-10/93	RD7026	755	Tiida	03>	RD5179	758
Maxima J30	2/90-10/92	RD7024	755	X-Trail T30, T31	10/01>	RD5178	758
Micra	03>	RD5179	755	X-Trail	9/01>	RD7068	758
Micra K11E	5/95>	RD7028	755	Peugeot			
Navara D40	06>	RD5500	756	205	83-98	RD0205	759
Navara	02>	RD6117	756	206	99>	RD0206	759
Navara D22	3/97>	RD7041	755	305	82-90	RD0205	759
Navara D21	87-94	RD5010	755	306	97-98	RD1306	759
Pathfinder	06>	RD5500	756	306	93-01	RD0306	759
Pathfinder R50	8/97>	RD6117	756	307	01>	RD7067	759
Pathfinder R50	9/95-8/97	RD7040	756	309	85-93	RD0205	759
Pathfinder WD21	86-94	RD5010	755	405 MKI & II	87-96	RD4005	759
Patrol Y61	10/97-11/02	RD7075	756	406	95	RD4006	759
Patrol TY61	2/99>	RD6117	756	505	89-95	RD0505	759
Patrol Y61	10/97>	RD6117	756	505	89-95	RD2038	760
Patrol Y60 GQ	88>	RD9300	756	605	90-94	RD9779	760

Make & Model	Year	Part No.	Page No.	Make & Model	Year	Part No.	Page No.
607	01>	RD7067	760	Red Dot		RD2234	763
Porsche				Red Dot 74R2546		RD2546	763
911		RD4911	760	Renault			
911		RD4922	760	19	88-97	RD0109	763
928		RD4928	760	Clio		RD0106	763
Proton				Fuego	80	RD0110	763
Persona	2/97>	RD7001	760	Laguna 95	94-98	RD0111	763
Satria	2/97>	RD7001	760	Laguna	94	RD0104	763
Wira	2/97>	RD7001	760	Master		RD7080	764
Range Rover				Megane J64	03>	RD7080	764
Range Rover	94>	RD5561	760	Megane	99>	RD0105	764
Range Rover	86-94	RD0112	760	Midlum Truck		RD3380	764
Range Rover	82-86	RD5560	761	Scenic Classic	99>	RD0105	764
Red Dot				Scenic B64		RD7080	764
Red Dot		RD2546	761	Truck		RD3377	764
Red Dot Caterpillar		RD2590	761	Rolls Royce			
Red Dot Caterpillar 74R3526		RD8211	761	Silver Shadow Series I		RD7133	764
Red Dot Caterpillar 6P1309 74R3506		RD7119	761	SAAB			
Red Dot Caterpillar 74R0470		RD8261	761	900 2.0Lt, 2.3Lt, 2.5Lt	93-98	RD9153	764
Red Dot Freightliner FLC 74R2606	81-83	RD2606	761	900 2.0Lt Turbo	87-93	RD9055	764
Red Dot Freightliner FLD112, FL112 74R3326		RD3326	761	900		RD0108	764
Red Dot Freightliner FLD120 73R3146	94	RD3146	761	9000 2.3Lt, 3.0Lt Turbo	93-98	RD4165	765
Red Dot International Harvester 74R4006		RD1003	762	9000 2.3Lt Turbo	85-93	RD4164	765
Red Dot International Truck 74R3450		RD7130	762	9-3	9/02>	RD9166	765
Red Dot John Deere 74R4116		RD1011	762	9-3 2.0Lt, 2.3Lt Petrol, 2.2Lt Turbo	98-02	RD9153	765
Red Dot John Deere 74R0460		RD0460	762	9-5 2.0Lt, 2.2Lt, 2.3Lt, 3.0Lt	11/97>	RD9162	765
Red Dot Kenworth 74R3356		RD3356	762	Trucks		RD9055	765
Red Dot Kenworth 74R2306		RD8133	762	Trucks		RD0108	765
Red Dot Kenworth 74R3356		RD8324	762	Trucks		RD3927	765
Red Dot Mack 74R2536		RD2229	762	Samsung			
Red Dot Mack Ultraliner 74R3076		RD3917	762	Excavator		RD6356	765
Red Dot Volvo 74R3376		RD3376	762	Excavator		RD6358	765
Red Dot Volvo Truck 74R0906	08>	RD3922	763	Excavator		RD6360	766
Red Dot Western Star 74R3136		RD3136	763	Sanden			
				Sanden		RD9012	766
				Scania			
				Scania Truck III Series		RD3926	766
				Scania Truck		RD9055	766
				Scania Truck		RD3924	766
				Scania Truck		RD0108	766
				Scania Truck		RD3927	766

Make & Model	Year	Part No.	Page No.	Make & Model	Year	Part No.	Page No.
Seat				Suzuki			
Cordoba	93-99	RD4501	767	Alto	10/95	RD7028	770
Ibiza	93-99	RD4501	767	Alto	86-95	RD6310	770
Ibiza		RD4408	767	Baleno	3/98>	RD7028	770
Seat		RD6339	766	Carry	99	RD7168	770
Seat		RD0011	766	Grand Vitara	99	RD7168	770
Toledo	98	RD5401	767	Ignis	00>	RD4050	770
Skoda				Sierra	3/94>	RD7028	770
Skoda		RD6339	767	Sierra 1.3Lt	1/85-2/94	RD5160	770
Skoda		RD0011	767	Sierra 1.0Lt	9/81>	RD6310	770
Skoda		RD4408	767	Swift	6/94>	RD7028	770
Smart				Swift	11/88-5/94	RD7005	770
Roadster		RD7191	767	Swift	86-95	RD6310	770
Sperry New Holland				Vitara	99>	RD4050	771
Sperry New Holland		RD2116	767	Vitara	95-96	RD7001	771
Ssangyong				Vitara	91-95	RD7005	770
Musso	95>	RD7186	767	Vitara	84-91	RD6310	771
Musso	95>	RD7019	768	X90	95-97	RD7001	771
Sterling				Toyota			
Sterling		RD9248	768	4 Runner	8/93- 94	RD7027	771
Subaru				4 Runner	8/90-7/93	RD7003	771
Forester	02>	RD7076	768	4 Runner	87-89	RD6310	771
Forester	97-98	RD7040	768	Aurion GSV40R	10/06-3/12	RD4070	771
Impreza G2	03>	RD7076	768	Avalon	7/00>	RD7001	771
Impreza WRX		RD5179	769	Avensis Verso ACM21R	11/03-11/10	RD4040	771
Impreza	96-00	RD7041	768	Avensis Verso ACM20R	12/01-10/03	RD4040	771
Impreza	94-95	RD7028	768	Camry ASV50R	12/11>	RD4070	772
Impreza	8/93-8/96	RD7026	768	Camry AHV40R	2/10-2/12	RD4085	772
Leone 'L' Wagon		RD7131	768	Camry ACV40R	7/06-1/12	RD4070	772
Leone	85-87	RD7177	768	Camry ACV36R, MCV36R	9/02-6/06	RD4070	772
Leone	85-87	RD7178	768	Camry SXV20R, MCV20R	97-02	RD7001	771
Leone	83-84	RD7175	769	Camry SDV10, SXV10, VDV10	92-97	RD7001	771
Leone	82-83	RD7174	769	Camry SV21, SV22	5/87-2/93	RD7031	772
Liberty B4	99-02	RD4050	769	Camry SV21	89-92	RD7003	772
Liberty	97	RD7041	769	Camry SV21	89-92	RD7005	772
Liberty	94-95	RD7028	769	Camry SV11	84-86	RD6310	772
Liberty	92	RD7026	769	Celica ZTZ231R	02-3/06	RD4070	772
Liberty	91-93	RD7005	769	Celica ZTZ231R	11/99-02	RD4040	772
Liberty		RD5179	769	Celica ST204, ST205	11/93-8/95	RD7001	772
Outback	94-95	RD7028	769	Celica ST184, ST185	90-10/93	RD7003	773
Subaru	84	RD7176	769	Celica ST162	86-87	RD6310	773
Subaru	82-84	RD7104	770				

Receiver Driers - Application Guide



Make & Model	Year	Part No.	Page No.	Make & Model	Year	Part No.	Page No.
Celica RA60, RA65, SA63	85	RD6310	773	Landcruiser 100 Series	03>	RD4070	775
Corolla ZRE152R	5/07>	RD4070	773	Landcruiser 100 Series	03>	RD4040	776
Corolla ZZE122R	01>	RD4040	773	Landcruiser 100 Series	03>	RD4020	776
Corolla AE112	8/98>	RD7028	773	Landcruiser 100 Series	03>	RD4051	776
Corolla AE101	5/95-7/99	RD7028	773	Landcruiser FZJ75, FZJ80	5/96>	RD7027	776
Corolla AE102	2/94-4/95	RD7028	773	Landcruiser 80 Series	5/93>	RD7005	776
Corolla AE92, AE94, AE95, AE96	3/91-5/94	RD7027	773	Landcruiser 80 Series	5/93>	RD7027	776
Corolla AE92	88-94	RD7005	773	Landcruiser 70 Series	5/93>	RD7027	776
Corolla AE90, AE92, AE94, AE95, AE96	89-8/93	RD7003	773	Landcruiser 70, 80	90-4/93	RD7003	776
Corolla AE71, AE80, AE82, AE86	85-89	RD6310	773	Landcruiser 70 Series	86-90	RD6310	776
Corolla KE70, T18, TE72	85-89	RD6310	773	Landcruiser 60 Series	84-90	RD6310	776
Corona RT142, ST141	84-85	RD6310	773	Lexcen VR, VS	93-01	RD6108	776
Corona RT132	79-82	RD0408	773	Lexcen VP	91-93	RD6023	777
Cressida MX83	7/91-3/94	RD7003	774	Liteace YM40	86-89	RD5160	777
Cressida MX83	89-90	RD7083	774	MR2 ZZW30R	10/00-3/06	RD4070	777
Cressida MX62, MX73	82-87	RD6310	774	MR2 SW20	93-99	RD7001	777
Dyna BU130, BU142	95-99	RD7027	774	MR2 SW20	12/91-8/93	RD7003	777
Dyna	93-99	RD7001	774	MR2 AW11	87-90	RD5160	777
Dyna 150	91-11/93	RD7003	774	Paseo EL54	98>	RD4040	777
Dyna 100	86-92	RD5160	774	Paseo EL54	8/96-11/97	RD7001	777
Echo NCP10R, NCP12R	99>	RD4070	774	Paseo EL44	8/93-8/95	RD7027	777
Echo NCP10R, NCP12R	99>	RD4040	774	Paseo EL44	4/91-7/93	RD7003	777
FJ Cruiser GSJ15R	3/11>	RD4070	774	Prado GRJ120, RZJ120, KZJ120	3/03-10/09	RD4070	778
Hiace KDH, TRH	3/05>	RD4070	775	Prado KZJ95, RZJ95, VZJ95	5/96-2/03	RD7027	778
Hiace RCH12 SBV	95>	RD7054	775	Prius ZVW30	09>	RD4085	778
Hiace RZH Series	93>	RD7054	775	Prius NHW20R	11/03-6/09	RD4085	778
Hiace LH Series	93>	RD7054	775	Rav4 ACA38R	4/10>	RD4070	778
Hilux GGN, KUN, TGN	3/05>	RD4070	775	Rav4 GSA33R, 3.5Lt V6	10/07>	RD4070	778
Hilux KZN165, VZN167R	00>	RD7001	775	Rav4 ACA33R	2/06>	RD4070	778
Hilux LN/RN/RZN	93-97	RD7001	775	Rav4 ACA22R, ACA23R, 2.4Lt	10/03-1/06	RD4070	778
Hilux VZN V6	93-96	RD7001	775	Rukus AZE151R	5/10>	RD4070	778
Hilux LN, RN, RZN, VZN, KZN	84-05	RD8070	775	Spacia SR40	8/93>	RD7054	778
Hilux YN85	91-94	RD7003	775	Starlet	4/98-10/99	RD7001	778
Hilux VZN V6	91-93	RD7003	775	Starlet	1/96-7/99	RD7027	778
Hilux RN	88-93	RD7003	775	Supra MA61	85	RD6310	778
Hilux	86-87	RD6310	775	T18, TE72	79-83	RD6310	778
Kluger GSU40R, GSU45R	8/07>	RD4070	775	Tarago GSR50R, 3.5Lt V6	2/07>	RD4070	779
Kluger MCU28R	11/03-7/07	RD4040	775	Tarago ACR50R, 2.4Lt 4 cyl	3/06>	RD4070	779
Landcruiser 200 Series	11/07>	RD4070	775	Tarago ACR30	00>	RD4040	779
Landcruiser VDJ76R, VDJ78R, VDJ79R	3/07>	RD4070	776	Tarago TCR10, TCR11, TCR20	90-99	RD7054	779

APPLICATION GUIDE RECEIVER DRIERS

Make & Model	Year	Part No.	Page No.	Make & Model	Year	Part No.	Page No.
Tarago TCR10, TCR11	91-93	RD7063	779	Polo	6/00-03	RD7074	783
Tarago YR31	86-91	RD5160	779	Polo IV		RD4501	783
Tarago YR20, YR21, YR22	82-90	RD6310	779	Polo		RD0011	783
Tarago CR21	84	RD6310	779	Polo		RD4408	783
Tercel AL25	86	RD6310	779	Touareg		RD4055	783
Townace YR39	91-98	RD7054	779	Transporter T5		RD4055	783
Yaris NCP130R, NCP131R	11/11>	RD4070	779	Transporter T4	96>	RD7001	783
Denso Universal 90 deg.		RD4413	779	Transporter T4		RD4502	783
Denso Universal 90 deg.		RD5161	780	Transporter T4		RD5402	783
Truck and Tractor / Versatile				Volvo			
Truck and Tractor FDR rebuild kit Denso Bus & Coach		RD8005	780	240	83-93	RD7050	783
Truck and Tractor FDR rebuild kit Denso Bus & Coach		RD8021	780	740	85-92	RD7020	784
Truck and Tractor FDR rebuild kit		RD8022	780	850	92-97	RD7055	784
Truck & Tractor Universal		RD4170	780	940, 960	90-97	RD7032	784
Truck & Tractor Universal		RD4001	780	940	90-97	RD7100	784
Truck & Tractor Universal		RD2054	780	960	90-97	RD7050	784
Truck & Tractor Universal		RD2197	780	C30	3/07>	RD7109	784
Truck & Tractor Universal		RD7004	780	FE Loader		RD7089	784
Truck & Tractor Universal		RD7133	781	S40	2/97-7/99	RD7039	784
Versatile Tractor		RD7107	781	S60, S80		RD7092	785
Volkswagen				Tractor			
Beetle	99>	RD5401	781	Tractor 120B, 150B		RD6115	785
Bora	99>	RD5401	781	Truck & Tractor		RD3376	785
Caravelle		RD4502	781	Truck F10	78-96	RD3900	785
Caravelle		RD5402	781	Truck FH12, FH16	78-94	RD3912	785
Caravelle		RD4504	781	Truck FL16		RD3921	785
Crafter	07>	RD7115	781	Truck FL7	86-92	RD3915	785
Golf V		RD7320	781	Truck FL7, FL608, FL609, BML160		RD3916	785
Golf IV	99>	RD5401	781	Truck FM420	98	RD6124	786
Golf III		RD4501	782	Truck L70, L90		RD3919	786
Jetta		RD9777	782	Truck L70, L90	00>	RD7089	786
Passat	01>	RD0085	782	Truck V10		RD3910	786
Passat	11/00>	RD0084	782	Truck	08>	RD3922	786
Passat	11/00>	RD7088	782	V40	2/97-7/99	RD7039	784
Passat	10/96-11/00	RD0082	782	V50	6/04>	RD7109	784
Passat	98>	RD0080	782	V70		RD7092	785
Passat	95>	RD9804	782	Replacement V.I.R. Desiccant bag		RD8517	785
Passat		RD9778	782	Western Star			
Polo	02>	RD6339	782	Western Star		RD3327	786
				Western Star		RD3376	786
				Western Star		RD3136	786

Universal Flare

RD0126 Universal Flare

Inlet: 3/8" MF
Outlet: 3/8" MF
Height: 193mm
Diameter: 63.5mm

Switch port LHS
of inlet



RD0161 Universal Flare

Inlet: 3/8" MF
Outlet: 3/8" MF
Height: 203mm
Diameter: 63.5mm

Two switch ports



RD0546 Universal Flare

Inlet: 3/8" MF
Outlet: 3/8" MF
Height: 155mm
Diameter: 63.5mm

Sight glass



RD0408 Universal Flare

Inlet: 3/8" MF
Outlet: 3/8" MF
Height: 205mm
Diameter: 60mm

Two switch ports



RD2054 Universal Flare

Inlet: 3/8" MF
Outlet: 3/8" MF
Height: 250mm
Diameter: 70mm

Two switch ports



RD2197 Universal Flare

Inlet: 3/8" MF
Outlet: 3/8" MF
Height: 280mm
Diameter: 76mm

Switch port LHS
of inlet
Heavy Duty



RD2407 Universal Flare

Inlet: 3/8" MF
Outlet: 3/8" MF
Height: 205mm
Diameter: 60mm

Binary switch LHS
of inlet (24kg)



RD2410 Universal Flare

Inlet: 3/8" MF
Outlet: 3/8" MF
Height: 205mm
Diameter: 60mm

Binary switch RHS
of inlet (24kg)



RD4413 Universal Flare

Inlet: 3/8" MF
Outlet: 3/8" MF
Height: 225mm
Diameter: 66.5mm

Fuse plug



RD6107
Universal Flare

Inlet: 3/8" MF
Outlet: 3/8" MF
Height: 205mm
Diameter: 60mm

Binary switch LHS of inlet (28kg)



RD6110
Universal Flare

Inlet: 3/8" MF
Outlet: 3/8" MF
Height: 205mm
Diameter: 60mm

Binary switch LHS of inlet (28kg)



RD7116
Universal Flare

Inlet: 3/8" MF
Outlet: 3/8" MF
Height: 258mm
Diameter: 78mm

Solid core
In-line drier



RD7004
Universal Flare

Inlet: 3/8" MF
Outlet: 3/8" MF
Height: 172mm
Diameter: 76mm

In-line drier



RD7042
Universal Flare

Inlet: 3/8" MF
Outlet: 3/8" MF
Height: 132mm
Diameter: 63.5mm

In-line drier



RD7043
Universal Flare

Inlet: 3/8" MF
Outlet: 3/8" MF
Height: 140mm
Diameter: 53mm

In-line drier



Universal O'ring

RD0112
Universal O'ring

Inlet: 3/8" MIOR
Outlet: 3/8" MIOR
Height: 193mm
Diameter: 63.5mm

Switch port LHS of inlet



RD0134
Universal O'ring

Inlet: 3/8" MIOR
Outlet: 3/8" MIOR
Height: 193mm
Diameter: 63.5mm

Two switch ports



RD0162
Universal O'ring

Inlet: 3/8" MIOR
Outlet: 3/8" MIOR
Height: 203mm
Diameter: 63.5mm

Two switch ports



RD2085
Universal O'ring

Inlet: 3/8" MIOR
Outlet: 3/8" MIOR
Height: 146mm
Diameter: 76mm

Fuse plug



RD2426
Universal O'ring

Inlet: 3/8" MIOR
Outlet: 3/8" MIOR
Height: 205mm
Diameter: 60mm

Binary switch RHS of inlet (24kg)



RD2428
Universal O'ring

Inlet: 3/8" MIOR
Outlet: 3/8" MIOR
Height: 205mm
Diameter: 60mm

Binary switch LHS of inlet (24kg)



RD5015
Universal O'ring

Inlet: M16 MIOR
Outlet: M16 MIOR
Height: 203mm
Diameter: 60mm

Two switch ports



RD6109
Universal O'ring

Inlet: 5/16" MIOR
Outlet: 5/16" MIOR
Height: 205mm
Diameter: 60mm

Two switch ports



RD6119
Universal O'ring

Inlet: 5/16" MIOR
Outlet: 5/16" MIOR
Height: 205mm
Diameter: 60mm



RD6126
Universal O'ring

Inlet: 3/8" MIOR
Outlet: 3/8" MIOR
Height: 205mm
Diameter: 60mm

R134a Binary switch RHS of inlet (32kg)



RD6128
Universal O'ring

Inlet: 3/8" MIOR
Outlet: 3/8" MIOR
Height: 205mm
Diameter: 60mm

Binary switch LHS of inlet (32kg)



RD6159
Universal O'ring

Inlet: 3/8" MIOR
Outlet: 3/8" MIOR
Height: 205mm
Diameter: 60mm

Two switch ports



RD6181
Universal O'ring

Inlet: 5/16" MIOR
Outlet: 5/16" MIOR
Height: 195mm
Diameter: 60mm

Three switch ports



RD6182
Universal O'ring

Inlet: 3/8" MIOR
Outlet: 3/8" MIOR
Height: 195mm
Diameter: 60mm

Three switch ports



RD6226
Universal O'ring

Inlet: 5/16" MIOR
Outlet: 5/16" MIOR
Height: 205mm
Diameter: 60mm

Binary switch RHS of inlet



RD6228
Universal O'ring

Inlet: 5/16" MIOR
Outlet: 5/16" MIOR
Height: 205mm
Diameter: 60mm

Binary switch LHS of inlet



RD6309
Universal O'ring

Inlet: 5/16" MIOR
Outlet: 5/16" MIOR
Height: 195mm
Diameter: 63.5mm

Two switch ports



RD6310
Universal O'ring

Inlet: 5/16" MIOR
Outlet: 5/16" MIOR
Height: 190mm
Diameter: 67mm

Switch port
Fuse plug



RD6310M
Universal O'ring

Inlet: 5/16" MIOR
Outlet: 5/16" MIOR
Height: 190mm
Diameter: 67mm

Two switch ports



RD6359
Universal O'ring

Inlet: 3/8" MIOR
Outlet: 3/8" MIOR
Height: 200mm
Diameter: 63.5mm

Two switch ports



RD6709
Universal O'ring

Inlet: 5/16" MIOR
Outlet: 5/16" MIOR
Height: 200mm
Diameter: 70mm

Two switch ports



RD6759
Universal O'ring

Inlet: 3/8" MIOR
Outlet: 3/8" MIOR
Height: 200mm
Diameter: 70mm

Two switch ports



RD7133
Universal O'ring

Inlet: 3/8" FIOR
Outlet: 3/8" FIOR
Height: 215mm
Diameter: 76mm

Fuse plug



RD5161
Universal O'ring

Inlet: 3/8" MIOR
Outlet: 3/8" MIOR
Height: 190mm
Diameter: 67mm

Two switch ports
Sight glass



RD5109
Universal O'ring
With Fluoro Dye

Inlet: 5/16" MIOR
Outlet: 5/16" MIOR
Height: 160mm
Diameter: 60mm

Two switch ports



RD6484
Universal O'ring

Inlet: 5/16" MIOR
Outlet: 3/8" MIOR
Height: 205mm
Diameter: 60mm

Switch port
Sight glass



RD2089
Universal O'ring

Inlet: 3/8" MIOR
Outlet: 3/8" MIOR
Height: 260mm
Diameter: 70mm

Two switch ports
Sight glass



RD6760
Universal O'ring

Inlet: 3/8" MIOR
Outlet: 3/8" MIOR
Height: 260mm
Diameter: 70mm

Two switch ports



Universal
Accumulator

RD9003
Universal Accumulator

Inlet: 5/8" MIOR
Outlet: 5/8" MIOR
Height: 200mm
Diameter: 75mm

Receiver only
No desiccant



RD0012
Universal Accumulator

Inlet: 5/8" MIOR
Outlet: 5/8" MIOR
Height: 230mm
Diameter: 87mm

Receiver only
No desiccant
R12 Service port



Alfa Romeo/Audi

RD2038
Alfa Romeo 33

Inlet: 3/8" MIOR
Outlet: 3/8" FIOR
Height: 203mm
Diameter: 63.5mm

Fuse plug



UNIVERSAL O-RING/ACCUMULATOR/
DIRECT REPLACEMENT RECEIVER DRIERS

RD7001
Alfa Romeo 156

Inlet: Pad
Outlet: Pad
Height: 190mm
Diameter: 60mm

R134a Fitting Profile



RD4164
Alfa Romeo 164

Inlet: 3/8" FIOR
Outlet: 3/8" MIOR
Height: 152mm
Diameter: 76mm

Switch port
Sight glass



RD0080
Audi 80, 2.0, 2.6, 2.8Lt, 92-96
Audi A4
Audi A6

Inlet: M28 FIOR
Outlet: M28 MIOR
Height: 240mm
Diameter: 90mm



RD0082
Audi, 80, 90, A4, Cabriolet, Coupe

Inlet: 3/4" FIOR
Outlet: 3/4" MIOR
Height: 240mm
Diameter: 90mm



RD0081
Audi 100, 2.8Lt, 94>
Audi Quattro

Inlet: M28 FIOR
Outlet: M28 MIOR
Height: 240mm
Diameter: 90mm



RD0086
Audi 100

Inlet: M28 FIOR
Outlet: M28 MIOR
Height: 220mm
Diameter: 89mm



RD2038
Audi 100 LS

Inlet: 3/8" MIOR
Outlet: 3/8" FIOR
Height: 203mm
Diameter: 63.5mm

Fuse plug



RD7320
Audi A3, 04>

Inlet: Pad
Outlet: Pad
Height: 345mm
Diameter: 30mm

Sub Cooler



RD5401
Audi A3, 97-04

Inlet: Pad
Outlet: Pad
Height: 160mm
Diameter: 60mm



RD0088
Audi A4, 07>
Audi A5, 08>

Inlet: Pad
Outlet: Pad
Height: 290mm
Diameter: 30mm

Sub Cooler



RD0080
Audi A4, 95-01
Audi A6, 95>

Inlet: M28 FIOR
Outlet: M28 MIOR
Height: 240mm
Diameter: 90mm



RD0084
Audi A4

Inlet: Pad
Outlet: Pad
Height: 200mm
Diameter: 75mm



RD0086
Audi A6

Inlet: M28 FIOR
Outlet: M28 MIOR
Height: 220mm
Diameter: 89mm



RD1460
Audi A6
Audi S6

Inlet: M28 MIOR
Outlet: Pad
Height: 205mm
Diameter: 90mm

Metric Thread



RD4055
Audi Q7

Height: 225mm

Suits OE BEHR
Condenser



RD0081
Audi Quattro, 2.8Lt, 4Dr, 94>

Inlet: M28 FIOR
Outlet: M28 MIOR
Height: 240mm
Diameter: 90mm



RD5401
Audi S3, 97>
Audi TT Coupe & Roadster, 99-03

Inlet: Pad
Outlet: Pad
Height: 160mm
Diameter: 60mm



RD8517
Audi

VIR Desiccant bag
replacement kit



RD9177
BMW 1 Series, E81, E82, E87, E88, 10/04>
BMW 3 Series, E90, E91, E92, E93, 5/05>

Height: 326mm

Sub cooler cartridge



RD4412
BMW 3 Series

Inlet: 5/16" MIOR
Outlet: 5/16" MIOR
Height: 203mm
Diameter: 63.5mm

Switch port
Denso system



RD9164
BMW 3 Series, E46, 9/98>

Inlet: Pad
Outlet: Pad
Height: 160mm
Diameter: 63mm



RD9163
BMW 3 Series, E36, 97>

Inlet: Pad
Outlet: Pad
Height: 99mm
Diameter: 96mm

R134a Fitting Profile



RD9152
BMW 3 Series, E36, 90-03

Inlet: Pad
Outlet: Pad
Height: 99mm
Diameter: 109mm

R12 Fitting Profile



RD4434
BMW 3 Series, E30, 318, 323, 82-87

Inlet: 3/8" MIOR
Outlet: 3/8" MIOR
Height: 165mm
Diameter: 76mm

Two switch ports
Temp switch port
R12 service port



RD4435
BMW 3 Series, E30, 318, 82-91

Inlet: 3/8" MIOR
Outlet: 3/8" MIOR
Height: 180mm
Diameter: 76mm

Switch port
R12 Service port



RD4431
BMW 3 Series, E30, 320, 81-83

Inlet: 1/2" MF
Outlet: 1/2" MF
Height: 170mm
Diameter: 73mm

Fuse plug
Sight glass
R12 service port



RD9168
BMW 5 Series, E60, 2/04>

Height: 410mm

Sub cooler cartridge



RD9164
BMW 5 Series, E39, 9/98>

Inlet: Pad
Outlet: Pad
Height: 160mm
Diameter: 63mm



RD9157
BMW 5 Series, E39, 98>

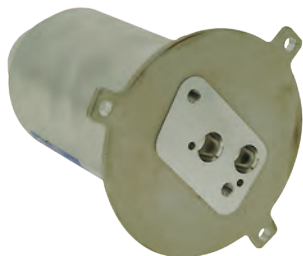
Inlet: Pad
Outlet: Pad
Height: 186mm
Diameter: 88mm



DIRECT REPLACEMENT RECEIVER DRIERS

RD9158
BMW 5 Series, E39, 98>**Inlet:** Pad
Outlet: Pad
Height: 186mm
Diameter: 88mm

Captive O'ring

**RD9159**
BMW 5 Series, E39, 97>**Inlet:** Pad
Outlet: Pad
Height: 195mm
Diameter: 90mm**RD9151**
BMW 5 Series, E34, 2/89-95**Inlet:** Pad
Outlet: Pad
Height: 186mm
Diameter: 95mmR12 service port
HPRV**RD4433**
BMW 5 Series, E28, 82-87
BMW 6 Series E28, 82-87**Inlet:** 1/2" MIOR
Outlet: 1/2" MIOR
Height: 165mm
Diameter: 76mmSwitch port
Fuse plug
R12 service port**RD9154**
BMW 7 Series, E38, 740, 750, 840, 94-8/97**Inlet:** Pad
Outlet: Pad
Height: 188mm
Diameter: 88mm**RD9164**
BMW 7 Series, E38, 11/97>**Inlet:** Pad
Outlet: Pad
Height: 160mm
Diameter: 63mm**RD9151**
BMW 7 Series, E32, 730i, 735i, 740i, 750i, 1/89>**Inlet:** Pad
Outlet: Pad
Height: 186mm
Diameter: 95mmHPRV
R12 service port**RD4430**
BMW 7 Series, E23, 77-86**Inlet:** 1/2" MIOR
Outlet: 1/2" MIOR
Height: 168mm
Diameter: 76mmSwitch port
Fuse plug
R12 service port**RD9165**
BMW 8 Series, E31, 840, 850, 4/90-99**Inlet:** Pad
Outlet: Pad
Height: 190mm
Diameter: 100mmHPRV
R12 service port**RD9164**
BMW X3 E83**Inlet:** Pad
Outlet: Pad
Height: 160mm
Diameter: 63mm

DIRECT REPLACEMENT RECEIVER DRIERS

RD9169
BMW X5 E53, 5/00>

Height: 335mm

Sub cooler cartridge



RD9167
BMW X5

Height: 338mm

Sub cooler cartridge



RD9164
BMW Z3, 3.0Lt, 97-03
BMW Z4, 3.0Lt, 03>

Inlet: Pad
Outlet: Pad
Height: 160mm
Diameter: 63mm



Case/Caterpillar

RD7025
Case

Inlet: 3/8" MIOR
Outlet: 3/8" FIOR
Height: 200mm
Diameter: 100mm

In-line drier



RD8243
Case

Inlet: 18mm MIOR
Outlet: 18mm MIOR
Height: 140mm
Diameter: 65mm

Sight glass



RD8501
Case

Inlet: 3/8" MIOR
Outlet: 3/8" FOR
Height: 160mm
Diameter: 65mm



RD2088
Case Tractor 70, 90, 94, 96

Inlet: 3/8" MIOR
Outlet: 3/8" MIOR
Height: 262mm
Diameter: 70mm

Two switch ports
Sight glass on side



RD6029
Caterpillar

Inlet: 3/8" MIOR
Outlet: 3/8" MIOR
Height: 280mm
Diameter: 65mm

In-line drier
with orifice tube



RD7018
Caterpillar

Inlet: 3/8" MIOR
Outlet: 3/8" MIOR
Height: 195mm
Diameter: 100mm

Switch port RHS
of inlet
Moisture indicator



RD2563
Caterpillar

Inlet: 3/8" MIOR
Outlet: 3/8" MIOR
Height: 155mm
Diameter: 76mm

Two switch ports

**RD2564**
Caterpillar

Inlet: 3/8" MF
Outlet: 3/8" MF
Height: 155mm
Diameter: 76mm

Two switch ports

**RD7119**
Caterpillar

Inlet: 3/8" MF
Outlet: 3/8" MF
Height: 194mm
Diameter: 100mm

Fuse plug

**RD8211**
Caterpillar

Inlet: Quick connect
Outlet: Quick connect
Height: 198mm
Diameter: 103mm

Moisture indicator
Pressure switch
HPRV

**RD9748**
Caterpillar

Inlet: 3/4" FIOR
Outlet: 3/4" FIOR
Height: 225mm
Diameter: 90mm

Two R12 service ports

**RD9749**
Caterpillar

Inlet: M27 FIOR
Outlet: M27 FIOR
Height: 235mm
Diameter: 90mm

Receiver only
No desiccant

**RD2590**
Caterpillar

Inlet: 3/8" MIOR
Outlet: 3/8" MIOR
Height: 160mm
Diameter: 76mm

Moisture indicator
HPRV
Suits R-9777

**RD8261**
Caterpillar

Inlet: Quick connect
Outlet: Quick connect
Height: 350mm
Diameter: 64mm

Use AF0660

**RD6024**
Caterpillar 12H Grader

Inlet: M27 FIOR
Outlet: M27 FIOR
Height: 225mm
Diameter: 90mm

**RD6025**
Caterpillar 14G Grader

Inlet: 3/8" MIOR
Outlet: 3/8" MIOR
Height: 155mm
Diameter: 76mm

Pressure switch
HPRV
Sight glass



RD6164
Caterpillar 320B EXV

Inlet: 5/16" MIOR
Outlet: 3/8" MIOR
Height: 210mm
Diameter: 70mm

Switch port LHS
of inlet



RD7190
Caterpillar PC1600

Inlet: Pad
Outlet: Pad
Height: 255mm
Diameter: 60mm



RD9012
Caterpillar

Inlet: Pad
Outlet: Pad
Height: 227mm
Diameter: 72mm

Switch port
Pressure switch
Sight glass
With Sanden comp



Chrysler

RD9586
Chrysler Neon, 8/99>

Inlet: Pad
Outlet: Pad
Height: 135mm
Diameter: 70mm



RD9580
Chrysler Neon, 94-8/99

Inlet: 3/8" MIOR
Outlet: 3/8" FIOR
Height: 145mm
Diameter: 63mm

R134a service port



RD9582
Chrysler Neon

Inlet: 3/8" MIOR
Outlet: 3/8" FOR
Height: 170mm
Diameter: 65mm

R134a service port



RD9583
Chrysler PT Cruiser

Inlet: Pad
Outlet: Pad
Height: 175mm
Diameter: 85mm

R12 service port



RD2043
Chrysler Valiant CL, CM

Inlet: 3/8" MIOR
Outlet: 3/8" MIOR
Height: 254mm
Diameter: 70mm

Two switch ports



RD9587
Chrysler Voyager

Inlet: Pad
Outlet: Pad
Height: 160mm
Diameter: 60mm



RD9581

Chrysler Voyager, 2/97>

Inlet: Pad
Outlet: Pad
Height: 172mm
Diameter: 60mm



Citroen

RD1306

Citroen Berlingo

Inlet: 3/8" MIOR
Outlet: 3/8" MIOR
Height: 78mm
Diameter: 60mm

**RD4200**

Citroen BX

Inlet: 3/8" MIOR
Outlet: 3/8" MIOR
Height: 240mm
Diameter: 50mm

R12 service port

**RD7067**

Citroen C5, 3/01>

Inlet: Screw Pad
Height: 340mm
Diameter: 40mm

Sub cooler cartridge

**RD4203**

Citroen Saxo, 5/96-9/03

Inlet: 3/8" MIOR
Outlet: 3/8" MIOR
Height: 175mm
Diameter: 75mm

R12 service port

**RD4201**

Citroen Xantia A

Inlet: 3/8" MIOR
Outlet: 3/8" MIOR
Height: 125mm
Diameter: 80mm

R12 service port

**RD4202**

Citroen Xantia B

Inlet: 3/8" MIOR
Outlet: 3/8" MIOR
Height: 125mm
Diameter: 80mm

R12 service port

**RD9779**

Citroen XM, 91

Inlet: 3/8" MIOR
Outlet: 3/8" MIOR
Height: 220mm
Diameter: 63mm

R12 service port

**RD4503**

Citroen Xsara, 98-01

Inlet: 3/8" MIOR
Outlet: 3/8" MIOR
Height: 160mm
Diameter: 70mm

R12 service port



DIRECT REPLACEMENT RECEIVER DRIERS

RD7067
Citroen Xsara, 3/97>

Inlet: Screw Pad
Height: 340mm
Diameter: 40mm

Sub cooler cartridge



RD6126
Cooltemp System

Inlet: 3/8" MIOR
Outlet: 3/8" MIOR
Height: 205mm
Diameter: 60mm

R134a Binary switch
RHS of inlet (32kg)



Daewoo

RD9655
Daewoo Cielo, 1.5Lt, 1/95>
Daewoo Espero, 1.5Lt, 1/95>

Inlet: M27 FIOR
Outlet: M27 MIOR
Height: 205mm
Diameter: 90mm

R134a service port
R134a Fitting Profile



RD9776
Daewoo Espero, 1.5Lt, <12/94

Inlet: 3/4" FIOR
Outlet: 3/4" MIOR
Height: 220mm
Diameter: 90mm

R12 service port
R12 Fitting Profile



RD9697
Daewoo Kalos, 4/03>

Inlet: Pad
Outlet: Pad
Height: 250mm
Diameter: 40mm

Suits Jayair Condenser



RD9698
Daewoo Kalos, 4/03>

Inlet: Pad
Outlet: Pad
Height: 245mm
Diameter: 40mm

Suits OE Condenser
only



RD5613
Daewoo Lacetti, 1/05>

Inlet: Pad
Outlet: Pad
Height: 200mm
Diameter: 50mm



RD7046
Daewoo Lanos, 97>

Inlet: Pad
Outlet: Pad
Height: 150mm
Diameter: 60mm



RD7047
Daewoo Leganza, 97>

Inlet: Pad
Outlet: Pad
Height: 150mm
Diameter: 60mm



DIRECT REPLACEMENT RECEIVER DRIERS

RD7170
Daewoo Matiz

Inlet: Pad
Outlet: Pad
Height: 120mm
Diameter: 60mm



RD7186
Daewoo Musso, 95>

Inlet: Pad
Outlet: Pad
Height: 145mm
Diameter: 60mm

Switch port



RD7060
Daewoo Nubira, 7/99>

Inlet: Pad
Outlet: Pad
Height: 150mm
Diameter: 60mm



RD7047
Daewoo Nubira, 97-6/99

Inlet: Pad
Outlet: Pad
Height: 150mm
Diameter: 60mm



RD9655
Daewoo Racer, 1.5Lt, 1/95>

Inlet: M27 FIOR
Outlet: M27 MIOR
Height: 205mm
Diameter: 90mm

R134a service port
R134a Fitting Profile



RD7060
Daewoo Tacuma, 11/00>

Inlet: Pad
Outlet: Pad
Height: 150mm
Diameter: 60mm



RD9696
Daewoo, >12/94

Inlet: M27 FIOR
Outlet: M27 MIOR
Height: 205mm
Diameter: 90mm

R134a service port



RD8070
Daihatsu Applause

Inlet: Pad
Outlet: Pad
Height: 185mm
Diameter: 60mm



RD7027
Daihatsu Applause, 11/93-8/97

Inlet: Pad
Outlet: Pad
Height: 205mm
Diameter: 60mm

R134a Fitting Profile



RD7003

Daihatsu Applause, 10/89-11/93
Daihatsu Charade G100, G102, 6/87-1/93

Inlet: Pad
Outlet: Pad
Height: 185mm
Diameter: 60mm

R12 Fitting Profile



RD7001

Daihatsu Charade G100, G102, G203, 2/92>

Inlet: Pad
Outlet: Pad
Height: 190mm
Diameter: 60mm

R134a Fitting Profile



RD7031

Daihatsu Charade G100, 87

Inlet: Pad
Outlet: Pad
Height: 150mm
Diameter: 60mm

R12 Fitting Profile



RD6310

Daihatsu Charade G10, G11, 85
Daihatsu Handivan LV60, 81

Inlet: 5/16" MIOR
Outlet: 5/16" MIOR
Height: 190mm
Diameter: 67mm

Switch port
Fuse plug



RD7027

Daihatsu Delta, 94
Daihatsu Feroza F300, F310, 93-96

Inlet: Pad
Outlet: Pad
Height: 205mm
Diameter: 60mm

R134a Fitting Profile



RD7003

Daihatsu Feroza F300, F310, 89-2/92
Daihatsu Mira L200, 2/92-4/95

Inlet: Pad
Outlet: Pad
Height: 185mm
Diameter: 60mm

R12 Fitting Profile



RD5160

Daihatsu Hi-Jet S75, 84

Inlet: 5/16" MIOR
Outlet: 5/16" MIOR
Height: 195mm
Diameter: 67mm

Two switch ports
Sight glass



RD7028

Daihatsu Mira L500, 2/97>
Daihatsu Move L601

Inlet: Pad
Outlet: Pad
Height: 165mm
Diameter: 60mm

R134a Fitting Profile



RD7001

Daihatsu Pyzar G303

Inlet: Pad
Outlet: Pad
Height: 190mm
Diameter: 60mm

R134a Fitting Profile



RD7027

Daihatsu Rocky, 95-99

Inlet: Pad
Outlet: Pad
Height: 205mm
Diameter: 60mm

R134a Fitting Profile



RD6310
Daihatsu Rocky, 84-94

Inlet: 5/16" MIOR
Outlet: 5/16" MIOR
Height: 190mm
Diameter: 67mm

Switch port
Fuse plug



RD7001
Daihatsu Terios, 97-4/99

Inlet: Pad
Outlet: Pad
Height: 190mm
Diameter: 60mm

R134a Fitting Profile



RD4040
Daihatsu, 8/97>

Height: 230mm

Kit - including cap,
desiccant bag & filter
Late models with
aluminium nut - Refer
to application guide



RD8005
Denso Bus & Coach
FDR Rebuild kit

RD8022 desiccant
required



RD8021
Denso Bus & Coach, 97>
FDR Rebuild kit

RD8022 desiccant
required



RD8022
Denso Bus & Coach

200gms replacement
desiccant



RD8010
Denso Universal

Inlet: Pad
Outlet: Pad
Height: 205mm
Diameter: 60mm

R134a Fitting Profile



RD8020
Denso Universal

Inlet: Pad
Outlet: Pad
Height: 185mm
Diameter: 60mm

R12 Fitting Profile



RD8030
Denso Universal

Inlet: Pad
Outlet: Pad
Height: 185mm
Diameter: 60mm

R134a Fitting Profile



DIRECT REPLACEMENT RECEIVER DRIERS

RD8040
Denso Universal

Inlet: Pad
Outlet: Pad
Height: 245mm
Diameter: 60mm

R134a Fitting Profile



RD8060
Denso Universal

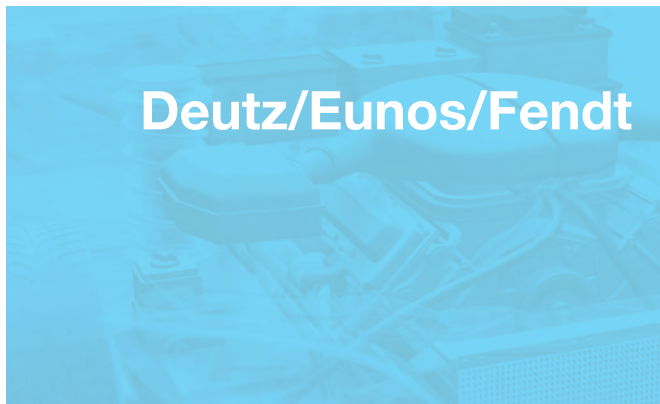
Inlet: Pad
Outlet: Pad
Height: 165mm
Diameter: 60mm

R134a Fitting Profile



RD8080
Denso Universal

Inlet: 5/16" MIOR
Outlet: 5/16" MIOR
Height: 230mm
Diameter: 60mm



RD3929
Deutz 4.75 Tractor

Inlet: 3/8" MIOR
Outlet: 3/8" MIOR
Height: 220mm
Diameter: 73mm

Two switch ports
Temp switch port
Sight glass



RD3928
Deutz Agropius 80 Tractor, 02>

Inlet: 3/8" MIOR
Outlet: 3/8" FOR
Height: 270mm
Diameter: 63.5mm

Sight glass
R12 service port



RD7017
Eunos 30X, 94>

Inlet: Pad
Outlet: Pad
Height: 160mm
Diameter: 60mm

Two switch ports
R134a Fitting Profile



RD7007
Eunos 30X, >94

Inlet: Pad
Outlet: Pad
Height: 160mm
Diameter: 60mm

Two switch ports
R12 Fitting Profile



RD7019
Eunos 500, 6/96>

Inlet: Pad
Outlet: Pad
Height: 150mm
Diameter: 60mm

Switch port
Imported system



RD6200
Eunos 800, 94-00

Inlet: M16 MIOR
Outlet: M16 MIOR
Height: 175mm
Diameter: 60mm

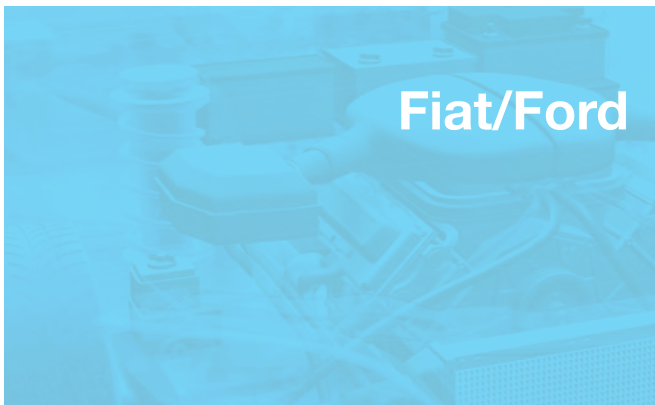


DIRECT REPLACEMENT RECEIVER DRIERS

RD3930
Fendt Tractor 275S

Inlet: 3/8" MIOR
Outlet: 3/8" MIOR
Height: 230mm
Diameter: 75mm

Two switch ports
Sight glass on side
R12 service port



Fiat/Ford

RD9777
Fiat

Inlet: 3/8" MIOR
Outlet: 3/8" MIOR
Height: 180mm
Diameter: 75mm

Switch port



RD9781
Fiat Punto 188

Inlet: Pad
Outlet: Pad
Height: 187mm
Diameter: 60mm



RD9248
Ford Aeromax L Series

Inlet: 5/8" MIOR
Outlet: 5/8" MIOR
Height: 205mm
Diameter: 85mm

Pressure switch port
R134a service port



RD7052
Ford Capri SE, 7/93-7/94

Inlet: Pad
Outlet: Pad
Height: 174mm
Diameter: 60mm

Switch port
Sight glass
R134a Fitting Profile



RD7003
Ford Capri SA, SC, 10/89-7/93

Inlet: Pad
Outlet: Pad
Height: 185mm
Diameter: 60mm

R12 Fitting Profile



RD7122
Ford C-Max, 2/07>

Inlet: Pad
Outlet: Pad
Height: 200mm
Diameter: 85mm



RD7098
Ford Courier, 02>

Inlet: Pad
Outlet: Pad
Height: 150mm
Diameter: 60mm

Pressure switch



RD6109
Ford Courier, 2.6Lt Petrol, 96>

Inlet: 5/16" MIOR
Outlet: 5/16" MIOR
Height: 205mm
Diameter: 60mm

Two switch ports



RD6309
Ford Courier, 2.6Lt Petrol, 89-96

Inlet: 5/16" MIOR
Outlet: 5/16" MIOR
Height: 195mm
Diameter: 63.5mm

Two switch ports



RD7096
Ford Escape, 12/00>

Inlet: 5/8" MIOR
Outlet: MSL
Height: 270mm
Diameter: 87mm

R12 service port



RD7195
Ford Escape, 00>

Inlet: Pad
Outlet: Pad
Height: 165mm
Diameter: 60mm

Sight glass
With Sanden comp



RD2818
Ford Explorer UT, UX, 96-01
Ford F Series F250, F350, 01>

Inlet: 5/8" MIOR
Outlet: FSL
Height: 205mm
Diameter: 85mm

R134a service port
M12 switch port



RD4030
Ford Falcon FG, 5/08>

Height: 220mm



RD2823
Ford Falcon BA, BF, 9/02-4/08

Inlet: FSL
Outlet: FSL
Height: 200mm
Diameter: 85mm



RD2819
Ford Falcon AU, 9/98-9/02

Inlet: FSL
Outlet: MSL
Height: 250mm
Diameter: 88mm



RD2222
Ford Falcon EA, EB, EBII, 3/88-8/93

Inlet: 3/8" MIOR
Outlet: 3/8" MIOR
Height: 256mm
Diameter: 70mm

Switch port
R12 service port



RD2807
Ford Falcon ED, EF, EL, XH, 8/93-6/99

Inlet: 3/8" MIOR
Outlet: 3/8" MIOR
Height: 203mm
Diameter: 63.5mm



RD2814
Ford Falcon EL, 9/96-8/98

Inlet: 3/8" MIOR
Outlet: 3/8" MIOR
Height: 203mm
Diameter: 60mm

Fuse plug



RD4016
Ford Falcon XF, XG, 10/84-8/96

Inlet: 3/8" FOR
Outlet: 3/8" MIOR
Height: 312mm
Diameter: 63.5mm



RD2163
Ford Falcon XE, 10/83>

Inlet: 3/8" MIOR
Outlet: 3/8" MIOR
Height: 258mm
Diameter: 70mm

Pressure switch
R12 service port



RD2138
Ford Falcon XD, XE, 4/81-10/83

Inlet: 3/8" MIOR
Outlet: 3/8" MIOR
Height: 250mm
Diameter: 70mm

Switch port



RD2106
Ford Falcon XD, 4/81>

Inlet: 3/8" MIOR
Outlet: 3/8" MIOR
Height: 250mm
Diameter: 70mm

Switch port



RD2082
Ford Falcon XC, 8/76-10/79

Inlet: 3/8" MIOR
Outlet: 3/8" MIOR
Height: 250mm
Diameter: 70mm

Switch port



RD2013
Ford Falcon XA, XB

Inlet: 3/8" MF
Outlet: 3/8" MF
Height: 254mm
Diameter: 70mm

Switch port



RD7019
Ford Festiva WD, WF, 1/98>
Ford Festiva WB, 4/94-12/96

Inlet: Pad
Outlet: Pad
Height: 150mm
Diameter: 60mm

Switch port
Imported system



RD6109
Ford Festiva WB, WD, WF, 2/95-12/96

Inlet: 5/16" MIOR
Outlet: 5/16" MIOR
Height: 205mm
Diameter: 60mm

Two switch ports
Air International system



RD7070
Ford Fiesta WP, WQ, 1.6Lt, 04>
Ford Focus LR, 9/02>

Inlet: Pad
Outlet: FSL
Height: 200mm
Diameter: 85mm

R134a service port



RD3050
Ford Fiesta, 04>

Inlet: FSL
Outlet: MSL
Height: 200mm
Diameter: 90mm



RD7122
Ford Focus LS, 4/04>

Inlet: Pad
Outlet: Pad
Height: 200mm
Diameter: 85mm



RD7048
Ford Laser KJ, KL, 12/96-98

Inlet: Pad
Outlet: Pad
Height: 148mm
Diameter: 60mm

Switch port



RD7017
Ford Laser KJ, 7/94>
Ford Laser KN, 11/98>

Inlet: Pad
Outlet: Pad
Height: 160mm
Diameter: 60mm

Two switch ports
R134a Fitting Profile



RD7009
Ford Laser KJ, 5/94-12/94

Inlet: Pad
Outlet: Pad
Height: 150mm
Diameter: 60mm

Two switch ports
Sight glass
R12 Fitting Profile



RD7015
Ford Laser KH, 11/93-5/94

Inlet: Pad
Outlet: Pad
Height: 173mm
Diameter: 60mm

Two switch ports
R134a Fitting Profile



RD7010
Ford Laser KF, KH, 3/90-10/93

Inlet: Pad
Outlet: Pad
Height: 190mm
Diameter: 60mm

Two switch ports
R12 Fitting Profile



RD6310
Ford Laser KA, KB, KC, KE, 82-87

Inlet: 5/16" MIOR
Outlet: 5/16" MIOR
Height: 190mm
Diameter: 67mm

Switch port
Fuse plug



RD6028
Ford Lincoln Town Car

Inlet: FSL
Outlet: 5/8" MIOR
Height: 230mm
Diameter: 85mm



RD2043
Ford Louisville

Inlet: 3/8" MIOR
Outlet: 3/8" MIOR
Height: 254mm
Diameter: 70mm

Two switch ports



RD9300
Ford Maverick

Inlet: M20 MIOR
Outlet: M16 MIOR
Height: 275mm
Diameter: 60mm

Two switch ports



RD6359
Ford Maverick Y60**Inlet:** 3/8" MIOR
Outlet: 3/8" MIOR
Height: 200mm
Diameter: 63.5mm

Two switch ports

**RD9584**
Ford Mondeo, 00>**Inlet:** Pad
Outlet: MSL
Height: 195mm
Diameter: 80mmR134a service port
Pressure switch port**RD3020**
Ford Mondeo, 4 cyl, 8/96-2/00**Inlet:** 5/8" FSL
Outlet: 5/8" FSL
Height: 228mm
Diameter: 90mm

M12 switch port

**RD3010**
Ford Mondeo, 95-8/96**Inlet:** 5/8" FSL
Outlet: 5/8" FSL
Height: 210mm
Diameter: 90mm

M12 switch port

**RD5061**
Ford Probe, 7/94-1/98**Inlet:** M20 MIOR
Outlet: M16 MIOR
Height: 128mm
Diameter: 65mm**RD7009**
Ford Telstar AX, TX5, 11/91-94**Inlet:** Pad
Outlet: Pad
Height: 150mm
Diameter: 60mmTwo switch ports
Sight glass
R12 Fitting Profile**RD7017**
Ford Telstar AX, 5/93-8/94**Inlet:** Pad
Outlet: Pad
Height: 160mm
Diameter: 60mmTwo switch ports
R134a Fitting Profile**RD7015**
Ford Telstar AV, 1/90-1/92**Inlet:** Pad
Outlet: Pad
Height: 173mm
Diameter: 60mmTwo switch ports
R134a Fitting Profile**RD5015**
Ford Telstar AT**Inlet:** M16 MIOR
Outlet: M16 MIOR
Height: 203mm
Diameter: 60mm

Two switch ports

**RD6310**
Ford Telstar, 86**Inlet:** 5/16" MIOR
Outlet: 5/16" MIOR
Height: 190mm
Diameter: 67mmSwitch port
Fuse plug

RD4052
Ford Territory SZ, 5/11>

Height: 220mm



RD2823
Ford Territory SX, SY, 5/04-4/11

Inlet: FSL
Outlet: FSL
Height: 200mm
Diameter: 85mm



RD3521
Ford Tractor

Inlet: 3/8" FSL
Outlet: 3/8" FSL
Height: 360mm
Diameter: 78mm

Moisture indicator



RD7035
Ford Tractor

Inlet: 7/8" Quick connect
Outlet: 3/8" MIOR
Height: 203mm
Diameter: 65mm

Fuse plug



RD6112
Ford Tractor

Inlet: 3/8" MIOR
Outlet: 3/8" MIOR
Height: 184mm
Diameter: 100mm



RD7030
Ford Tractor 5610, 6610, 6710

Inlet: 3/8" FOR
Outlet: 3/8" FOR
Height: 175mm
Diameter: 102mm

Two switch ports



RD2100
Ford Tractor TS100

Inlet: 3/8" MIOR
Outlet: 3/8" FIOR
Height: 233mm
Diameter: 78mm

Sight glass



RD3021
Ford Transit, 6/94-3/00

Inlet: FSL X 2
Outlet: MSL
Height: 225mm
Diameter: 90mm



RD3026
Ford Transit

Inlet: Pad
Outlet: Pad
Height: 210mm
Diameter: 87mm

M12 switch port
R134a service port



RD8501
Ford Truck

Inlet: 3/8" MIOR
Outlet: 3/8" FOR
Height: 160mm
Diameter: 65mm



DIRECT REPLACEMENT RECEIVER DRIERS

Freightliner/Hino/ Hitachi

RD6123 Freightliner FL80

Inlet: 3/8" MIOR
Outlet: 3/8" FIOR
Height: 230mm
Diameter: 80mm

HPRV
Moisture indicator
Two metric service ports



RD6113 Freightliner FL112

Inlet: 3/8" MIOR
Outlet: 3/8" FIOR
Height: 210mm
Diameter: 76mm

Moisture indicator
Two SAE service ports



RD2606 Freightliner FLC, 81-83

Inlet: 3/8" MIOR
Outlet: 3/8" MIOR
Height: 210mm
Diameter: 76mm

Switch port
Moisture indicator



RD3326 Freightliner FLD112, 120 FL112, 95>

Inlet: 3/8" MIOR
Outlet: 3/8" FIOR
Height: 254mm
Diameter: 76mm

Two metric service ports



RD3146 Freightliner FLD120, 94>

Inlet: 3/8" MIOR
Outlet: 3/8" FIOR
Height: 248mm
Diameter: 76mm

Moisture indicator
Two R12 service ports



RD3327 Freightliner FLX, 10>

Inlet: Pad
Outlet: Pad
Height: 165mm
Diameter: 101mm



RD7056 Hino

Inlet: 5/16" MIOR
Outlet: 5/16" MIOR
Height: 275mm
Diameter: 67mm

Two switch ports
Sight glass



RD7057 Hino

Inlet: 3/8" MIOR
Outlet: 3/8" MIOR
Height: 275mm
Diameter: 65mm

Two switch ports
Sight glass



RD2043 Hitachi AH400D, B40D, ZX670-3, ZX870-3

Inlet: 3/8" MIOR
Outlet: 3/8" MIOR
Height: 254mm
Diameter: 70mm

Two switch ports



DIRECT REPLACEMENT RECEIVER DRIERS

RD3918
Hitachi EX120, EX150, EX200, EX300

Inlet: Pad 8.9mm Dia.
Outlet: Pad 8.9mm Dia.
Height: 226mm
Diameter: 60mm

Two switch ports
Sight glass



RD8239
Hitachi, 91-93

Inlet: 3/8" FIOR
Outlet: 3/8" MIOR
Height: 225mm
Diameter: 102mm

Moisture indicator
Sight glass



RD7193
Hitachi Tractor ZX range

Inlet: Pad 10.1mm Dia.
Outlet: Pad 10.1mm Dia.
Height: 226mm
Diameter: 60mm

Two switch ports
Sight glass



RD7001
Holden Apollo JM, JP, 4/93-5/97

Inlet: Pad
Outlet: Pad
Height: 190mm
Diameter: 60mm

R134a Fitting Profile



RD7031
Holden Apollo JK, JL, 8/89-3/93

Inlet: Pad
Outlet: Pad
Height: 150mm
Diameter: 60mm

R12 Fitting Profile



RD6331
Holden Astra AH

Height: 365mm

Suits Jayair CN6331



RD6319
Holden Astra TS, 10/98-12/01

Inlet: Pad
Outlet: Pad
Height: 110mm
Diameter: 62mm

R134a service port
Suits Jayair CN6319



RD4055
Holden Astra TS Series 2, 12/01>

Height: 225mm

Suits genuine BEHR
Does not suit Jayair
CN6321



RD6317
Holden Astra TR, 9/96-9/98

Inlet: M18 MIOR
Outlet: Pad
Height: 173mm
Diameter: 75mm



RD0162

Holden Astra LB, LC, LD, 6/84-7/89

Inlet: 3/8" MIOR
Outlet: 3/8" MIOR
Height: 203mm
Diameter: 63.5mm

Two switch ports



RD0128

Holden Astra LB, LC, LD, 6/84-7/89

Inlet: 3/8" MIOR
Outlet: 3/8" MIOR
Height: 193mm
Diameter: 63.5mm

Switch port LHS
of inlet
R12 service port



RD9698

Holden Barina TK, 12/05-10/11

Inlet: Pad
Outlet: Pad
Height: 245mm
Diameter: 40mm

Suits OE Condenser
only



RD7059

Holden Barina XC, 2/01-12/05

Inlet: Pad
Outlet: Pad
Height: 165mm
Diameter: 55mm

Up to VIN 3499999



RD7093

Holden Barina XC, 2/01-12/05

Inlet: Pad
Outlet: Pad
Height: 170mm
Diameter: 55mm

Switch port
From VIN 44000001



RD9775

Holden Barina SB, 4/94>

Inlet: Pad
Outlet: Pad
Height: 205mm
Diameter: 63mm

Imported system



RD7049

Holden Barina SB, 4/94-2/01

Inlet: Pad
Outlet: Pad
Height: 158mm
Diameter: 60mm

Switch port



RD7006

Holden Barina MF, MH, 2/89-5/94
Holden Barina ML, 4/87-1/89

Inlet: Pad
Outlet: Pad
Height: 148mm
Diameter: 63mm

Two switch ports



RD7005

Holden Barina MF, MH, 2/89-5/94

Inlet: Pad
Outlet: Pad
Height: 160mm
Diameter: 60mm

R12 Fitting Profile



RD6310

Holden Barina, 85

Inlet: 5/16" MIOR
Outlet: 5/16" MIOR
Height: 190mm
Diameter: 67mm

Switch port
Fuse plug



RD5160
Holden Barina MB, 85-8/86

Inlet: 5/16" MIOR
Outlet: 5/16" MIOR
Height: 195mm
Diameter: 67mm

Two switch ports
Sight glass



RD9775
Holden Calibra YE, 10/91-7/98

Inlet: Pad
Outlet: Pad
Height: 205mm
Diameter: 63mm

Imported system



RD0128
Holden Camira JB-JE, 8/82-7/89

Inlet: 3/8" MIOR
Outlet: 3/8" MIOR
Height: 193mm
Diameter: 63.5mm

Switch port LHS
of inlet
R12 service port



RD7079
Holden Colorado, 08>

Inlet: Pad
Outlet: Pad
Height: 158mm
Diameter: 60mm

Two switch ports



RD7093
Holden Combo XC, 9/02>

Inlet: Pad
Outlet: Pad
Height: 170mm
Diameter: 55mm

Switch port
From VIN 44000001



RD7059
Holden Combo XC, 9/02>

Inlet: Pad
Outlet: Pad
Height: 165mm
Diameter: 55mm

Up to VIN 3499999



RD7049
Holden Combo SB, 2/96-00

Inlet: Pad
Outlet: Pad
Height: 158mm
Diameter: 60mm

Switch port



RD6337J
Holden Commodore VE, 8/06>

Height: 325mm

Sub cooler cartridge
Suits Jayair CN6337J



RD6129
Holden Commodore VY, 10/02>
Holden Monaro V2C (From VIN L924425)
Holden Statesman WK

Inlet: 5/16" MIOR
Outlet: 5/16" MIOR
Height: 202mm
Diameter: 60mm

No sight glass
Captive O'ring fittings



CB6319
Holden Commodore VY
Holden Statesman WK
Receiver Drier Bracket

Suits OE Condenser
only



DIRECT REPLACEMENT RECEIVER DRIERS

RD6118

Holden Commodore VT, VX, VZ, VU Ute
Holden Monaro V2C (Up to VIN L924424)
Holden Statesman WH

Inlet: 5/16" MIOR
Outlet: 5/16" MIOR
Height: 200mm
Diameter: 60mm

No sight glass
Captive O'ring fittings

**CB6318**

Holden Commodore VT, VX, VZ
Receiver Drier Bracket

Suits OE Condenser
only

**RD6108**

Holden Commodore VR, VS

Inlet: 5/16" MIOR
Outlet: 5/16" MIOR
Height: 203mm
Diameter: 60mm

Switch port RHS
of inlet
No sight glass

**CB6315**

Holden Commodore VR, VS
Receiver Drier Bracket

**RD6023**

Holden Commodore VN, VP, 8/88-9/91
Holden Commodore VG Ute, 8/90>
Holden Statesman VQ, 3/90-5/99

Inlet: 3/4" FIOR
Outlet: 3/4" MIOR
Height: 240mm
Diameter: 90mm

Two R12 service ports

**RD6255**

Holden Commodore VL, 6 cyl, 3/86-8/88

Inlet: 3/8" MIOR
Outlet: 3/8" MIOR
Height: 205mm
Diameter: 60mm

Switch port RHS
of inlet

**RD0134**

Holden Commodore VB-VL, 6 & 8 cyl

Inlet: 3/8" MIOR
Outlet: 3/8" MIOR
Height: 193mm
Diameter: 63.5mm

Two switch ports

**RD6012**

Holden Commodore VB, VC

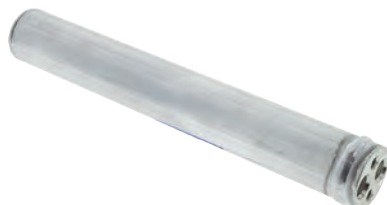
Inlet: 3/4" FIOR
Outlet: 3/4" MIOR
Height: 262mm
Diameter: 90mm

R12 service port

**RD7078**

Holden Cruze YG, 6/02-6/06

Inlet: Pad
Outlet: Pad
Height: 215mm
Diameter: 32mm

**RD7196**

Holden Epica, 07>

Inlet: Pad
Outlet: Pad
Height: 176mm
Diameter: 60mm



RD7028

Holden Jackaroo UBS92, UBS98, 4/92>

Inlet: Pad
Outlet: Pad
Height: 165mm
Diameter: 60mm

R134a Fitting Profile
Denso system



RD9770

Holden Kingswood WB
Holden Statesman WB

Inlet: 3/4" FIOR
Outlet: 3/4" MIOR
Height: 225mm
Diameter: 90mm

Two R12 service ports



RD2014

Holden Kingswood HG-HZ

Inlet: 3/8" Barb
Outlet: 3/8" FIOR
Height: 178mm
Diameter: 70mm



RD6118

Holden Monaro V2C

Inlet: 5/16" MIOR
Outlet: 5/16" MIOR
Height: 200mm
Diameter: 60mm

No sight glass
Captive O'ring fittings



RD7028

Holden Nova LG, 10/95

Inlet: Pad
Outlet: Pad
Height: 165mm
Diameter: 60mm

R134a Fitting Profile



RD7027

Holden Nova LF, 9/91-10/94

Inlet: Pad
Outlet: Pad
Height: 205mm
Diameter: 60mm

R134a Fitting Profile



RD7003

Holden Nova LE, 8/89-8/91

Inlet: Pad
Outlet: Pad
Height: 185mm
Diameter: 60mm

R12 Fitting Profile



RD8517

Holden Replacement V.I.R. Desiccant bag

VIR Desiccant bag
replacement kit



RD7079

Holden Rodeo RA03, 3/03>

Inlet: Pad
Outlet: Pad
Height: 158mm
Diameter: 60mm

Two switch ports



RD7105

Holden Rodeo, 3.0Lt Turbo Diesel, 02-03

Inlet: 5/16" MIOR
Outlet: 5/16" MIOR
Height: 200mm
Diameter: 60mm

Binary switch LHS
of inlet (30kg)



DIRECT REPLACEMENT RECEIVER DRIERS

RD7097
Holden Vectra ZC, 3/03>

Inlet: Pad
Outlet: Pad
Height: 157mm
Diameter: 60mm



RD6316
Holden Vectra JR, JS, JS II, 6/97>

Inlet: Pad
Outlet: Pad
Height: 170mm
Diameter: 70mm



RD9775
Holden Vectra

Inlet: Pad
Outlet: Pad
Height: 205mm
Diameter: 63mm

Imported system



RD5613
Holden Viva, 05>

Inlet: Pad
Outlet: Pad
Height: 200mm
Diameter: 50mm



RD6319
Holden Zafira TT, 6/01>

Inlet: Pad
Outlet: Pad
Height: 110mm
Diameter: 62mm

R134a service port
Suits Jayair CN6319



RD7001
Honda Accord, 11/93-12/97

Inlet: Pad
Outlet: Pad
Height: 190mm
Diameter: 60mm

R134a Fitting Profile



RD7003
Honda Accord, 10/90-10/93

Inlet: Pad
Outlet: Pad
Height: 185mm
Diameter: 60mm

R12 Fitting Profile



RD7165
Honda Accord, 84-86

Inlet: 3/8" MIOR
Outlet: 3/8" MIOR
Height: 184mm
Diameter: 70mm

Fuse plug



RD7163
Honda Accord, 79-82

Inlet: 3/8" MIOR
Outlet: 3/8" MIOR
Height: 241mm
Diameter: 63.5mm

Fuse plug



RD7167
Honda Accord, 79-82

Inlet: Pad
Outlet: Pad
Height: 88mm
Diameter: 55mm



RD7164
Honda Accord, 79-81

Inlet: 3/8" MF
Outlet: 3/8" MF
Height: 197mm
Diameter: 63.5mm

Fuse plug at base of drier



RD6312
Honda Accord

Inlet: M16 MIOR
Outlet: M16 MIOR
Height: 190mm
Diameter: 60mm



RD7161
Honda Accord

Inlet: 3/8" MIOR
Outlet: 3/8" MIOR
Height: 229mm
Diameter: 63.5mm

Fuse plug
With Keihin compressor



RD7168
Honda City, 95-99
Honda Civic, 95-03

Inlet: Pad
Outlet: Pad
Height: 160mm
Diameter: 60mm

Switch port
Sight glass



RD7103
Honda Civic Hybrid, 07>
Honda Civic, 06-07

Inlet: Pad
Outlet: Pad
Height: 260mm
Diameter: 35mm

Sub Cooler
Suits Jayair CN5506



RD7106
Honda Civic, 07>

Inlet: Pad
Outlet: Pad
Height: 165mm
Diameter: 40mm

Sub Cooler



RD7022
Honda Civic, 94-95

Inlet: Pad
Outlet: Pad
Height: 165mm
Diameter: 60mm

R134a Fitting Profile



RD7016
Honda Civic, 92-93

Inlet: Pad
Outlet: Pad
Height: 167mm
Diameter: 60mm



RD7021
Honda Civic, 88-92

Inlet: Pad
Outlet: Pad
Height: 160mm
Diameter: 70mm

R12 Fitting Profile



RD6159
Honda Civic, 88-91**Inlet:** 3/8" MIOR
Outlet: 3/8" MIOR
Height: 205mm
Diameter: 60mm

Two switch ports

**RD7158**
Honda Civic, 84-87**Inlet:** 3/8" MIOR
Outlet: 3/8" MIOR
Height: 203mm
Diameter: 63.5mm**RD7157**
Honda Civic, 81-83**Inlet:** 3/8" FOR
Outlet: 3/8" MIOR
Height: 215mm
Diameter: 63.5mm

Fuse plug

**RD6159**
Honda Concerto, 89-91**Inlet:** 3/8" MIOR
Outlet: 3/8" MIOR
Height: 205mm
Diameter: 60mm

Two switch ports

**RD7021**
Honda Concerto, 89-91**Inlet:** Pad
Outlet: Pad
Height: 160mm
Diameter: 70mm

R12 Fitting Profile

**RD7022**
Honda CRX, 94-97
Honda Integra, 7/93-99**Inlet:** Pad
Outlet: Pad
Height: 165mm
Diameter: 60mm

R134a Fitting Profile

**RD7016**
Honda Integra, 8/89-7/93**Inlet:** Pad
Outlet: Pad
Height: 167mm
Diameter: 60mm**RD6759**
Honda Integra, 86-89**Inlet:** 3/8" MIOR
Outlet: 3/8" MIOR
Height: 200mm
Diameter: 70mm

Two switch ports

**RD7103**
Honda Jazz GE, 8/08>**Inlet:** Pad
Outlet: Pad
Height: 260mm
Diameter: 35mmSub Cooler
Suits Jayair CN5506**RD6312**
Honda Odyssey**Inlet:** M16 MIOR
Outlet: M16 MIOR
Height: 190mm
Diameter: 60mm

DIRECT REPLACEMENT RECEIVER DRIERS

RD6109
Honda Prelude, 93>

Inlet: 5/16" MIOR
Outlet: 5/16" MIOR
Height: 205mm
Diameter: 60mm

Two switch ports



RD6759
Honda Prelude, 4WS, 88>
Honda Prelude, 79-82

Inlet: 3/8" MIOR
Outlet: 3/8" MIOR
Height: 200mm
Diameter: 70mm

Two switch ports



RD7166
Honda Prelude, 79-82

Inlet: 3/8" MIOR
Outlet: 3/8" FOR
Height: 216mm
Diameter: 63.5mm

Fuse plug



RD6311
Hyundai Accent, 6/00>

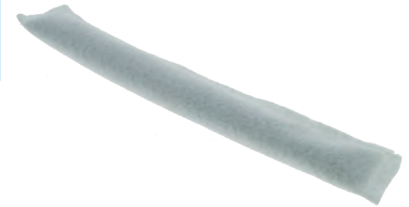
Inlet: Pad
Outlet: Pad
Height: 251mm
Diameter: 40mm



RD4050
Hyundai Accent, 9/99>
Hyundai Elantra XD, 00>

Height: 225mm

Desiccant bag only
Suits OE condenser only



RD6069
Hyundai Excavator 140L

Inlet: Pad
Outlet: Pad
Height: 225mm
Diameter: 60mm

Switch port
Sight glass



RD7029
Hyundai Excel X3, 94-99
Hyundai Excel, 94-97

Inlet: Pad
Outlet: Pad
Height: 150mm
Diameter: 60mm

Switch port



RD6027
Hyundai Excel X2, GLS, 4/93-94

Inlet: Pad
Outlet: Pad
Height: 228mm
Diameter: 90mm

Two R12 service ports



RD6026
Hyundai Excel X2, GLS, 90-4/93

Inlet: 5/8" MSL
Outlet: 5/8" MSL
Height: 215mm
Diameter: 88mm

Two R12 service ports



RD7189

Hyundai Grandeur XG, 99>

Inlet: M20 MIOR
 Outlet: M16 MIOR
 Height: 195mm
 Diameter: 60mm

Fuse plug

**RD7186**Hyundai Lantra J2, 11/94-00
Hyundai FX Coupe, 97-98

Inlet: Pad
 Outlet: Pad
 Height: 145mm
 Diameter: 60mm

Switch port

**RD6120**

Hyundai Lantra, 94>

Inlet: 5/16" MIOR
 Outlet: 5/16" MIOR
 Height: 202mm
 Diameter: 60mm

Two switch ports
Captive O'ring fittings**RD6109**

Hyundai Lantra, 91-94

Inlet: 5/16" MIOR
 Outlet: 5/16" MIOR
 Height: 205mm
 Diameter: 60mm

Two switch ports

**RD6122**

Hyundai Lantra, 91-93

Inlet: 3/8" MIOR
 Outlet: 3/8" MIOR
 Height: 203mm
 Diameter: 62mm

Pressure switch
Captive O'ring fittings**RD6026**

Hyundai S Coupe, 90-92

Inlet: 5/8" MSL
 Outlet: 5/8" MSL
 Height: 215mm
 Diameter: 88mm

Two R12 service ports

**RD6311**

Hyundai Santa Fe, 11/00-10/03

Inlet: Pad
 Outlet: Pad
 Height: 251mm
 Diameter: 40mm

**RD7189**

Hyundai Sonata, 98-99

Inlet: M20 MIOR
 Outlet: M16 MIOR
 Height: 195mm
 Diameter: 60mm

Fuse plug

**RD7184**

Hyundai Sonata, 2.0Lt DOHC, 94>

Inlet: Pad
 Outlet: Pad
 Height: 205mm
 Diameter: 89mm

Service port
R134a Fitting Profile**RD7188**

Hyundai Sonata, 3.0Lt V6, 92-93

Inlet: 5/8" MSL
 Outlet: 5/8" MSL
 Height: 230mm
 Diameter: 90mm

Two R12 service ports



DIRECT REPLACEMENT RECEIVER DRIERS

RD7187
Hyundai Sonata, 3.0Lt V6, 90-91

Inlet: 5/8" MIOR
Outlet: 5/8" FSL
Height: 230mm
Diameter: 90mm

Two R12 service ports



RD7008
Hyundai Sonata, 4 cyl, 89-91

Inlet: 5/8" MSL
Outlet: 5/8" MIOR
Height: 205mm
Diameter: 88mm

Two R12 service ports



RD6311
Hyundai Trajet

Inlet: Pad
Outlet: Pad
Height: 251mm
Diameter: 40mm



RD2820I
International

Inlet: 3/8" MIOR
Outlet: 3/8" MIOR
Height: 254mm
Diameter: 70mm

Switch port



RD7025
International

Inlet: 3/8" MIOR
Outlet: 3/8" FIOR
Height: 200mm
Diameter: 100mm



RD1003
International Harvester

Inlet: 3/8" FIOR
Outlet: 3/8" MIOR
Height: 158mm
Diameter: 102mm



RD1002
International Harvester 111-218

Inlet: 3/8" MF
Outlet: 3/8" MF
Height: 158mm
Diameter: 102mm



RD9062
International S/T Line

Inlet: 3/8" MIOR
Outlet: 3/8" MIOR
Height: 245mm
Diameter: 76mm

Switch port
Moisture indicator



RD7130
International Truck

Inlet: 7/16" FIOR
Outlet: 3/8" FIOR
Height: 270mm
Diameter: 76mm

Two switch ports



RD7128
International Truck**Inlet:** 7/16" FIOR
Outlet: 3/8" FIOR
Height: 260mm
Diameter: 76mmQuick disconnect
charge port**Isuzu/Iveco/Jaguar****RD7066**
Isuzu, 6/01-6/05**Inlet:** Pad
Outlet: Pad
Height: 160mm
Diameter: 60mmM11 switch port
Sight glass
PS3207**RD7124**
Isuzu N Series Truck, 05>**Inlet:** Pad
Outlet: Pad
Height: 160mm
Diameter: 60mmSwitch port
Sight glass
PS3205**RD7108**
Iveco**Inlet:** M16 MIOR
Outlet: M16 MIOR
Height: 235mm
Diameter: 75mm

Service port

**RD9201**
Jaguar Sovereign, 93-97**Inlet:** M16 MIOR
Outlet: M16 MIOR
Height: 478mm
Diameter: 42mm**RD7082**
Jaguar S Type**Inlet:** Pad
Outlet: Pad
Height: 110mm
Diameter: 70mm**RD9200**
Jaguar V12**Inlet:** 3/8" MIOR
Outlet: 3/8" MIOR
Height: 425mm
Diameter: 50mmSwitch port
Sight glass**RD9050**
Jaguar XJ40**Inlet:** 3/8" MIOR
Outlet: 3/8" FIOR
Height: 185mm
Diameter: 75mm

Switch port

**RD9100**
Jaguar XJ6**Inlet:** 3/8" MIOR
Outlet: 3/8" FIOR
Height: 155mm
Diameter: 76mm

Switch port



DIRECT REPLACEMENT RECEIVER DRIERS

RD9202
Jaguar XJ8, 98-06

Inlet: Pad
Outlet: Pad
Height: 165mm
Diameter: 67mm



RD9201
Jaguar XJS, 93-97

Inlet: M16 MIOR
Outlet: M16 MIOR
Height: 478mm
Diameter: 42mm



RD7084
Jaguar XK8

Inlet: Pad
Outlet: Pad
Height: 165mm
Diameter: 60mm



JCB/Jeep/John Deere

RD6024
JCB

Inlet: M27 FIOR
Outlet: M27 FIOR
Height: 225mm
Diameter: 90mm



RD9749
JCB

Inlet: M27 FIOR
Outlet: M27 FIOR
Height: 235mm
Diameter: 90mm

Receiver only
No desiccant



RD8117
Jeep Cherokee Sports, 00>

Inlet: MSL
Outlet: Pad
Height: 260mm
Diameter: 85mm

M12 Switch port



RD8115
Jeep Cherokee, 94-96

Inlet: 3/8" MIOR
Outlet: 3/8" MIOR
Height: 145mm
Diameter: 76mm



RD8116
Jeep Grand Cherokee WJ, WG, 99-01

Inlet: Pad
Outlet: Pad
Height: 260mm
Diameter: 85mm

M12 Switch port



RD8120
Jeep Grand Cherokee, 96-98

Inlet: MSL
Outlet: 5/8" MIOR
Height: 200mm
Diameter: 85mm

Service port



RD8118
Jeep Wrangler

Inlet: 5/8" MIOR
Outlet: FSL
Height: 200mm
Diameter: 90mm

M12 Switch port



RD5154
John Deere

Inlet: 3/8" MIOR
Outlet: 1/2" MIOR
Height: 165mm
Diameter: 65mm

In-line drier



RD6024
John Deere

Inlet: M27 FIOR
Outlet: M27 FIOR
Height: 225mm
Diameter: 90mm



RD8240
John Deere

Inlet: 3/8" FIOR
Outlet: 3/8" MIOR
Height: 235mm
Diameter: 76mm

In-line drier



RD9751
John Deere

Inlet: 3/8" MIOR
Outlet: 3/8" MIOR
Height: 138mm
Diameter: 100mm

In-line drier



RD0460
John Deere

Inlet: 3/8" MIOR
Outlet: 3/8" MIOR
Height: 245mm
Diameter: 63.5mm

In-line drier



RD1011
John Deere

Inlet: 3/8" FIOR
Outlet: 3/8" MIOR
Height: 200mm
Diameter: 102mm

Two sight glasses



RD9749
John Deere

Inlet: M27 FIOR
Outlet: M27 FIOR
Height: 235mm
Diameter: 90mm

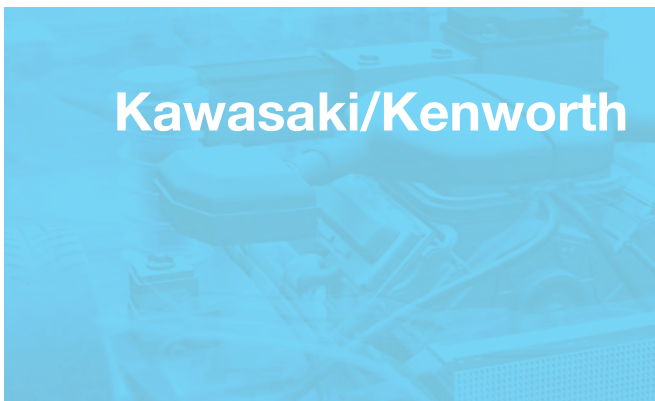
Receiver only
No desiccant



RD8239
John Deere, 91-93

Inlet: 3/8" FIOR
Outlet: 3/8" MIOR
Height: 225mm
Diameter: 102mm

Moisture indicator
Sight glass



Kawasaki/Kenworth

RD9012
Kawasaki Loader HM400-2

Inlet: Pad
Outlet: Pad
Height: 227mm
Diameter: 72mm

Switch port
Pressure switch
Sight glass



RD2043
Kenworth

Inlet: 3/8" MIOR
Outlet: 3/8" MIOR
Height: 254mm
Diameter: 70mm

Two switch ports



RD2088
Kenworth

Inlet: 3/8" MIOR
Outlet: 3/8" MIOR
Height: 262mm
Diameter: 70mm

Two switch ports
Sight glass on side



RD2224
Kenworth

Inlet: 3/8" MIOR
Outlet: 3/8" MIOR
Height: 272mm
Diameter: 70mm

Switch port LHS
of inlet
R12 service port



RD3356
Kenworth

Inlet: 3/8" FIOR
Outlet: 3/8" MIOR
Height: 254mm
Diameter: 76mm

Moisture indicator
Sight glass



RD8133
Kenworth

Inlet: 3/8" MIOR
Outlet: 3/8" MIOR
Height: 253mm
Diameter: 78mm

Moisture indicator
Sight glass
R12 service port



RD8324
Kenworth

Inlet: 3/8" FIOR
Outlet: 3/8" MIOR
Height: 253mm
Diameter: 78mm

Moisture indicator
Sight glass



Kia/Komatsu/Kubota/
Kysor

RD7192
Kia Carnival, 99>

Inlet: Pad
Outlet: Pad
Height: 190mm
Diameter: 60mm



RD7189
Kia Optima

Inlet: M20 MIOR
Outlet: M16 MIOR
Height: 195mm
Diameter: 60mm

Fuse plug



RD9805
Kia Pregio

Inlet: M18 MIOR
Outlet: M18 MIOR
Height: 200mm
Diameter: 60mm

Two switch ports
Pilot hole 10.3mm



RD6360
Kia Rio

Inlet: M16 MIOR
Outlet: M16 MIOR
Height: 200mm
Diameter: 60mm

Switch port
Temp switch port



RD7186
Kia Shuma, 00>
Kia Mentor, 99>

Inlet: Pad
Outlet: Pad
Height: 145mm
Diameter: 60mm

Switch port



RD9803
Kia Sportage, 12/96>

Inlet: M18 MIOR
Outlet: M18 MIOR
Height: 205mm
Diameter: 60mm

Two switch ports
Pilot hole 8.65mm



RD7190
Komatsu D375A-3, D475A-3

Inlet: Pad
Outlet: Pad
Height: 255mm
Diameter: 60mm



RD7094
Komatsu PC300-6

Inlet: M16 MIOR
Outlet: M16 MIOR
Height: 245mm
Diameter: 61mm

Two switch ports



RD7190
Kubota 75, 80, ZX670-3, WA470-5, WA480-5

Inlet: Pad
Outlet: Pad
Height: 255mm
Diameter: 60mm



RD2496
Kysor

Inlet: 3/8" MIOR
Outlet: 3/8" MIOR
Height: 158mm
Diameter: 76mm

Fuse plug



Picture unavailable at time of printing
refer www.cooldrive.com.au

RD2529
Kysor

Inlet: 3/8" MIOR
Outlet: 3/8" MIOR
Height: 230mm
Diameter: 76mm

HPRV



RD2527
Kysor HD1000

Inlet: 3/8" MIOR
Outlet: 3/8" MIOR
Height: 190mm
Diameter: 102mm

Fuse plug





Lancia/Land Rover

RD2085
Kysor Rooftop

Inlet: 3/8" MIOR
Outlet: 3/8" MIOR
Height: 146mm
Diameter: 76mm

Fuse plug



RD9781
Lancia Kappa

Inlet: Pad
Outlet: Pad
Height: 187mm
Diameter: 60mm



RD7168
Land Rover Defender, 03>

Inlet: Pad
Outlet: Pad
Height: 160mm
Diameter: 60mm

Switch port
Sight glass



RD5561
Land Rover Discovery, 97>

Inlet: 3/8" MIOR
Outlet: 3/8" MIOR
Height: 210mm
Diameter: 64mm


R12 service port



RD7027
Land Rover Discovery, 4/94-95

Inlet: Pad
Outlet: Pad
Height: 205mm
Diameter: 60mm

R134a Fitting Profile



RD7006
Land Rover Discovery, 93-4/94

Inlet: Pad
Outlet: Pad
Height: 148mm
Diameter: 60mm

Two switch ports



RD5560
Land Rover Discovery, 89-94

Inlet: 3/8" MIOR
Outlet: 3/8" MIOR
Height: 220mm
Diameter: 63.5mm

Two R12 service ports



RD7072
Land Rover Freelander MY, 7/02>

Inlet: Screw Pad
Height: 232mm
Diameter: 45mm

Sub cooler cartridge



RD7069
Land Rover Freelander, 98-01

Inlet: Pad
Outlet: Pad
Height: 190mm
Diameter: 60mm



RD8517
Land Rover

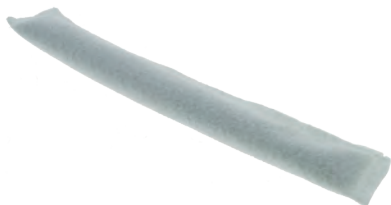
VIR Desiccant bag replacement kit



RD4050
Lexus IS200 GXE10R, 3/99-10/05
Lexus IS300 JCE10R, 8/01-10/05

Height: 225mm

Desiccant bag only



RD4070
Lexus LS430 UCF30R, 11/00-3/07
Lexus LX470 UZJ100R, 5/98-3/08
Lexus LX570 URJ201R, 4/08>

Height: 230mm

24mm nylon thread plastic cap



RD4070
Lexus RX330 MCU38R, 4/03-1/06
Lexus RX350 GSU35R, 2/06-6/09

Height: 230mm

24mm nylon thread plastic cap



RD4085
Lexus RX450H GYL15R, 6/09>

Height: 275mm



RD3923
M.A.N. Truck

Inlet: 1/2" MIOR
Outlet: 1/2" MIOR
Height: 295mm
Diameter: 50mm

Moisture indicator
Fuse plug
Sight glass



RD2229
Mack

Inlet: 3/8" MIOR
Outlet: 3/8" MIOR
Height: 165mm
Diameter: 76mm

HPRV
R12 service port



RD3377
Mack Truck

Inlet: 3/8" FIOR
Outlet: 3/8" MIOR
Height: 220mm
Diameter: 75mm



RD3917
Mack Ultraliner

Inlet: 3/8" MIOR
Outlet: 3/8" MIOR
Height: 230mm
Diameter: 76mm

Moisture indicator
HPRV
Service port



RD6121
Massey Ferguson

Inlet: 3/8" MIOR
Outlet: 3/8" FIOR
Height: 217mm
Diameter: 66mm

R12 service port



RD2043
Massey Ferguson

Inlet: 3/8" MIOR
Outlet: 3/8" MIOR
Height: 254mm
Diameter: 70mm

Two switch ports



RD2104
Massey Ferguson

Inlet: 3/8" MF
Outlet: 3/8" MF
Height: 156mm
Diameter: 76mm

Fuse plug



RD9160
Massey Ferguson

Inlet: 3/8" MIOR
Outlet: 3/8" MIOR
Height: 254mm
Diameter: 75mm

Moisture Indicator
R12 service port



RD0546
Massey Ferguson, Mark IV


Inlet: 3/8" MF
Outlet: 3/8" MF
Height: 155mm
Diameter: 63.5mm



RD3930
Massey Ferguson Tractor

Inlet: 3/8" MIOR
Outlet: 3/8" MIOR
Height: 230mm
Diameter: 75mm

Two switch ports
Sight glass on side
R12 service port



Mazda



RD6126
Mazda 121 Series 2, 96-00

Inlet: 3/8" MIOR
Outlet: 3/8" MIOR
Height: 205mm
Diameter: 60mm

Binary switch RHS
of inlet (32kg)



RD7007
Mazda 121 DB, 11/90-1/94

Inlet: Pad
Outlet: Pad
Height: 160mm
Diameter: 60mm

Two switch ports
R12 Fitting Profile



RD6310
Mazda 121 DA, 3/87-11/90

Inlet: 5/16" MIOR
Outlet: 5/16" MIOR
Height: 190mm
Diameter: 67mm

Switch port
Fuse plug



RD7017
Mazda 121

Inlet: Pad
Outlet: Pad
Height: 160mm
Diameter: 60mm

Two switch ports
R134a Fitting Profile

**RD7085**
Mazda 2, Series 3

Inlet: Pad
Outlet: Pad
Height: 170mm
Diameter: 45mm

Sub Cooler

**RD7150**
Mazda 2, Series 1 & 2, 02>

Inlet: Pad
Outlet: Pad
Height: 230mm
Diameter: 40mm

**RD7095**
Mazda 3, 04>

Inlet: Pad
Outlet: Pad
Height: 172mm
Diameter: 47mm

**RD7017**
Mazda 323 Astina, 8/98>

Inlet: Pad
Outlet: Pad
Height: 160mm
Diameter: 60mm

Two switch ports
R134a Fitting Profile

**RD7029**
Mazda 323 Astina, 1/97>

Inlet: Pad
Outlet: Pad
Height: 150mm
Diameter: 60mm

Switch port

**RD7048**
Mazda 323 BA, 96-98

Inlet: Pad
Outlet: Pad
Height: 148mm
Diameter: 60mm

Switch port

**RD7006**
Mazda 323, 11/93-7/94

Inlet: Pad
Outlet: Pad
Height: 148mm
Diameter: 60mm

Two switch ports

**RD7010**
Mazda 323 BG, 8/89-1/94

Inlet: Pad
Outlet: Pad
Height: 190mm
Diameter: 60mm

Two switch ports
R12 Fitting Profile

**RD6310**
Mazda 323, 10/80-8/89

Inlet: 5/16" MIOR
Outlet: 5/16" MIOR
Height: 190mm
Diameter: 67mm

Switch port
Fuse plug



RD7152
Mazda 6, 2/08>

Inlet: Pad
Outlet: Pad
Height: 280mm
Diameter: 35mm

Sub Cooler



RD7011
Mazda 626 GF, GW, 7/97>

Inlet: Pad
Outlet: Pad
Height: 160mm
Diameter: 60mm



RD7044
Mazda 626, 96-6/97

Inlet: 5/16" MIOR
Outlet: 5/16" MIOR
Height: 115mm
Diameter: 66mm



RD7010
Mazda 626, 90-93

Inlet: Pad
Outlet: Pad
Height: 190mm
Diameter: 60mm

Two switch ports
R12 Fitting Profile



RD5015
Mazda 626 GV Wagon, 90-93
Mazda 626 GD, 10/87-12/91

Inlet: M16 MIOR
Outlet: M16 MIOR
Height: 203mm
Diameter: 60mm

Two switch ports



RD7009
Mazda 626 GE, 9/91-8/94

Inlet: Pad
Outlet: Pad
Height: 150mm
Diameter: 60mm

Two switch ports
Sight glass
Air International system
R12 Fitting Profile



RD7015
Mazda 626 GD, 6/90-12/91

Inlet: Pad
Outlet: Pad
Height: 173mm
Diameter: 60mm

Two switch ports
R134a Fitting Profile



RD6159
Mazda 626 GC, 6/85-10/87

Inlet: 3/8" MIOR
Outlet: 3/8" MIOR
Height: 205mm
Diameter: 60mm

Two switch ports
With Zexel compressor



RD6310
Mazda 626 GC, 83-7/87

Inlet: 5/16" MIOR
Outlet: 5/16" MIOR
Height: 190mm
Diameter: 67mm

Switch port
Fuse plug



RD7017
Mazda 626

Inlet: Pad
Outlet: Pad
Height: 160mm
Diameter: 60mm

Two switch ports
R134a Fitting Profile



DIRECT REPLACEMENT RECEIVER DRIERS

RD7009
Mazda 929 HD, 3.0Lt V6, 4/91-8/93

Inlet: Pad
Outlet: Pad
Height: 150mm
Diameter: 60mm

Two switch ports
Sight glass
R12 Fitting Profile



RD7015
Mazda 929 HC, 89-91

Inlet: Pad
Outlet: Pad
Height: 173mm
Diameter: 60mm

Two switch ports
R134a Fitting Profile



RD5015
Mazda 929 HC, 3.0Lt V6, 3/87-91

Inlet: M16 MIOR
Outlet: M16 MIOR
Height: 203mm
Diameter: 60mm

Two switch ports



RD6159
Mazda 929 HB, 2.0Lt 4 cyl, 84-87

Inlet: 3/8" MIOR
Outlet: 3/8" MIOR
Height: 205mm
Diameter: 60mm

Two switch ports



RD4040
Mazda BT50, 06>

Height: 230mm

Kit - including cap,
desiccant bag & filter
Suits CN5422



RD7098
Mazda B series, 8/02>

Inlet: Pad
Outlet: Pad
Height: 150mm
Diameter: 60mm

Pressure switch



RD7001
Mazda B Series B2600, 95

Inlet: Pad
Outlet: Pad
Height: 190mm
Diameter: 60mm

R134a Fitting Profile



RD7152
Mazda CX-7, 11/06>

Inlet: Pad
Outlet: Pad
Height: 280mm
Diameter: 35mm

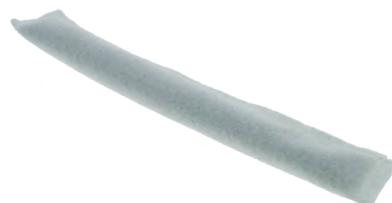
Sub Cooler



RD4050
Mazda MPV LW10J2, 02>
Mazda MPV LW10G1, 99-02

Height: 225mm

Desiccant bag only



RD7001
Mazda MPV LV10E2, 95-96
Mazda MPV LV10E1, 93-96

Inlet: Pad
Outlet: Pad
Height: 190mm
Diameter: 60mm

R134a Fitting Profile



RD7011
Mazda MX5, 3/98>

Inlet: Pad
Outlet: Pad
Height: 160mm
Diameter: 60mm



RD7028
Mazda MX5, 94

Inlet: Pad
Outlet: Pad
Height: 165mm
Diameter: 60mm



R134a Fitting Profile

RD7005
Mazda MX5, 1/92-6/93

Inlet: Pad
Outlet: Pad
Height: 160mm
Diameter: 60mm



R12 Fitting Profile

RD7009
Mazda MX5, 91-94
Mazda MX6 GE, 11/91-12/93

Inlet: Pad
Outlet: Pad
Height: 150mm
Diameter: 60mm



Two switch ports
Sight glass
R12 Fitting Profile

RD7031
Mazda MX5, 8/89-91

Inlet: Pad
Outlet: Pad
Height: 150mm
Diameter: 60mm



R12 Fitting Profile

RD5015
Mazda MX6 GD, 10/87-12/91

Inlet: M16 MIOR
Outlet: M16 MIOR
Height: 203mm
Diameter: 60mm



Two switch ports

RD6159
Mazda MX6, 6/85-10/87

Inlet: 3/8" MIOR
Outlet: 3/8" MIOR
Height: 205mm
Diameter: 60mm



Two switch ports

RD6310
Mazda MX6, 3/83-7/87
Mazda RX7, 10/83-11/91

Inlet: 5/16" MIOR
Outlet: 5/16" MIOR
Height: 190mm
Diameter: 67mm



Switch port
Fuse plug

RD7005
Mazda RX7, 1/92-6/93

Inlet: Pad
Outlet: Pad
Height: 160mm
Diameter: 60mm



R12 Fitting Profile

RD7149
Mazda RX7, 79-88

Inlet: 5/16" MIOR
Outlet: 5/16" MIOR
Height: 200mm
Diameter: 63.5mm

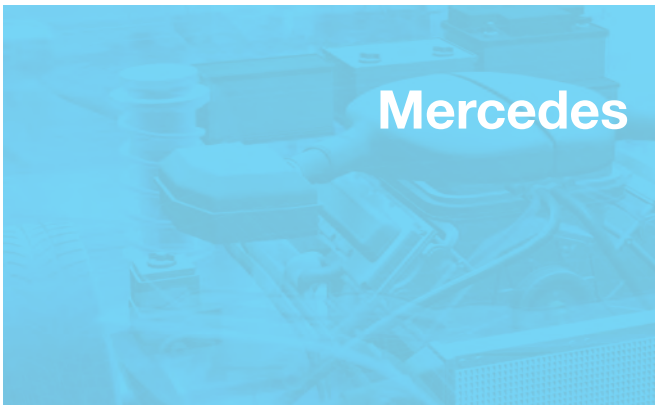


Fuse plug at base
of drier

RD7096
Mazda Tribute, 12/00>

Inlet: 5/8" MIOR
Outlet: MSL
Height: 270mm
Diameter: 87mm

R12 Service port



Mercedes

RD6503
Mercedes A Class, 10/98>

Inlet: 3/8" MIOR
Outlet: Pad
Height: 100mm
Diameter: 61mm

Switch port



RD3923
Mercedes Actros, 03>

Inlet: 1/2" MIOR
Outlet: 1/2" MIOR
Height: 295mm
Diameter: 50mm

Moisture indicator
Fuse plug
Sight glass



RD3935
Mercedes Actros, 4/96>

Inlet: 1/2" MIOR
Outlet: 1/2" MIOR
Height: 290mm
Diameter: 53mm

Moisture indicator
Fuse plug
Sight glass



RD0010
Mercedes Bus, 97>

Inlet: M20 MIOR
Outlet: M20 MIOR
Height: 140mm
Diameter: 80mm

In-line drier



RD5015
Mercedes MB100, 2.3Lt 4 cyl Diesel

Inlet: M16 MIOR
Outlet: M16 MIOR
Height: 203mm
Diameter: 60mm

Two switch ports



RD7022
Mercedes ML320

Inlet: Pad
Outlet: Pad
Height: 165mm
Diameter: 60mm

R134a Fitting Profile



RD4414
Mercedes R129 SL280, SL500, SL600

Inlet: 3/8" MIOR
Outlet: 3/8" MIOR
Height: 170mm
Diameter: 73mm

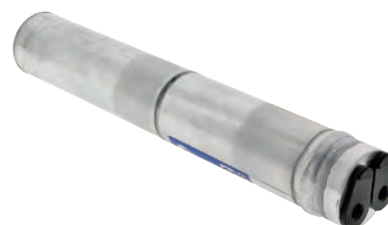
Two switch ports
Sight glass
HPRV



RD7115
Mercedes Sprinter, 07>

Inlet: Pad
Outlet: Pad
Height: 250mm
Diameter: 40mm

Sub Cooler



RD9010
Mercedes Truck

Inlet: 1/2" MIOR
Outlet: 1/2" MIOR
Height: 205mm
Diameter: 71mm

Two switch ports
R12 service port



RD9011
Mercedes Truck, 84-88

Inlet: 1/2" MIOR
Outlet: 1/2" MIOR
Height: 290mm
Diameter: 50mm

Two switch ports
Fuse plug
Sight glass



RD9170
Mercedes Viano, 03>

Height: 352mm

Sub cooler cartridge



RD7086
Mercedes Vito 112TD

Inlet: Pad
Outlet: Pad
Height: 210mm
Diameter: 65mm



RD4404
Mercedes Vito 638

Inlet: 3/8" FIOR
Outlet: 3/8" FIOR
Height: 200mm
Diameter: 74mm

Switch port
HPRV



RD9170
Mercedes Vito, 9/03>

Height: 352mm

Sub cooler cartridge



RD4398
Mercedes W107 380SL, 380SLC, 450SL, 81-85

Inlet: 3/8" MF
Outlet: 1/2" MF
Height: 168mm
Diameter: 76mm

Two switch ports



RD4398M
Mercedes W107 560SL, 86-89

Inlet: 3/8" FOR
Outlet: 3/8" MIOR
Height: 156mm
Diameter: 76mm

Three switch ports



RD4108
Mercedes W108 250S, 280S, 280SE, 66-72

Inlet: 1/2" MF
Outlet: 1/2" MF
Height: 168mm
Diameter: 76mm

Fuse plug
Temp switch port



RD1114
Mercedes W114 All

Inlet: 1/2" MF
Outlet: 1/2" MF
Height: 168mm
Diameter: 76mm

Switch port
Temp switch port



RD4401

Mercedes W115, 222, 240, 250

Inlet: 1/2" MF
Outlet: 1/2" MF
Height: 179mm
Diameter: 74mm

Fuse plug
 Temp switch port

**RD1116**

Mercedes W116

Inlet: 3/8" MF
Outlet: 3/8" MF
Height: 168mm
Diameter: 76mm

Switch port
 Temp switch port

**RD0123**

Mercedes W123

Inlet: 3/8" MIOR
Outlet: 3/8" MIOR
Height: 168mm
Diameter: 76mm

Switch port
 Temp switch port
 HPRV

**RD1123**

Mercedes W123 300CDT, 300D, DT, TD

Inlet: 3/8" MIOR
Outlet: 3/8" MIOR
Height: 168mm
Diameter: 76mm

Switch port
 Temp switch port

**RD1124**Mercedes W124 260E, 300CE/D/E/TE
Mercedes W124 E300D, E320

Inlet: 3/8" MIOR
Outlet: 3/8" MIOR
Height: 168mm
Diameter: 76mm

Switch port
 Fuse plug

**RD1126**

Mercedes W126 230, 240D, 280CE, 280E

Inlet: 3/8" MIOR
Outlet: 3/8" MIOR
Height: 168mm
Diameter: 76mm

Switch port
 Temp switch port

**RD1128**Mercedes W126 380SE/SEC/SEL, V8
Mercedes W126 500SEC/SEL

Inlet: 3/8" MIOR
Outlet: 3/8" MIOR
Height: 168mm
Diameter: 76mm

Two switch ports

**RD4402**

Mercedes W140 400SE/SEL, 500SEL

Inlet: 3/8" FIOR
Outlet: 3/8" FIOR
Height: 195mm
Diameter: 75mm

Switch port
 HPRV

**RD4404**

Mercedes W140 S320

Inlet: 3/8" FIOR
Outlet: 3/8" FIOR
Height: 200mm
Diameter: 74mm

Switch port
 HPRV

**RD9806**

Mercedes W163, ML270, ML320, ML350, ML430, ML500

Inlet: Pad
Outlet: Pad
Height: 160mm
Diameter: 60mm



RD6504

Mercedes W168 A Class, 7/97>

Inlet: Pad
Outlet: Pad
Height: 128mm
Diameter: 60mm



RD6505

Mercedes W169 A Class, 5/05>
Mercedes W245 B Class, 11/05>

Inlet: Pad
Outlet: Pad
Height: 360mm
Diameter: 45mm



RD4400

Mercedes W201 190, 300SL, SL320, SL500, 90-98

Inlet: 3/8" MIOR
Outlet: 3/8" MIOR
Height: 161mm
Diameter: 76mm

Two switch ports
Fuse plug



RD4403

Mercedes W202 C-180, 220

Inlet: 3/8" FIOR
Outlet: 3/8" FIOR
Height: 175mm
Diameter: 75mm



RD4409

Mercedes W202 C200

Inlet: M16 FIOR
Outlet: M16 FIOR
Height: 162mm
Diameter: 70mm

Two service ports
HPRV



RD4407

Mercedes W203

Height: 370mm

Suits OE Condenser only



RD4406

Mercedes W210 E230

Inlet: 3/8" MIOR
Outlet: 3/8" MIOR
Height: 170mm
Diameter: 70mm

Switch port
HPRV



RD4405

Mercedes W210 E230

Inlet: 3/8" MIOR
Outlet: 3/8" MIOR
Height: 140mm
Diameter: 70mm

HPRV
Sight glass



RD7191

Mercedes W211 E270

Inlet: Pad
Outlet: Pad
Height: 405mm
Diameter: 45mm



RD7086

Mercedes W220 S Class, 4/99>
Mercedes W901 Sprinter

Inlet: Pad
Outlet: Pad
Height: 210mm
Diameter: 65mm



MG/Mini/Mitsubishi

RD9780
MG MGF, 1.8Lt, 97-00
MG Roadster, 96>**Inlet:** Pad
Outlet: Pad
Height: 160mm
Diameter: 64mm

Pressure switch

**RD7072**
Mini Cooper, 02>**Inlet:** Screw Pad
Height: 232mm
Diameter: 45mm

Sub cooler cartridge

**RD4070**
Mitsubishi 380, 10/05-4/08**Height:** 230mm24mm nylon thread
plastic cap**RD7039**
Mitsubishi Challenger, 00>**Inlet:** Pad
Outlet: Pad
Height: 192mm
Diameter: 60mmSAE switch port
PS3203**RD7171**
Mitsubishi Colt, 04>**Inlet:** Pad
Outlet: Pad
Height: 230mm
Diameter: 40mm

Sub cooler cartridge

**RD0408**
Mitsubishi Colt RA-RE, 81-90**Inlet:** 3/8" MF
Outlet: 3/8" MF
Height: 205mm
Diameter: 60mm

Two switch ports

**RD7037**
Mitsubishi Delica**Inlet:** Pad
Outlet: Pad
Height: 228mm
Diameter: 60mmSwitch port
With dual A/C**RD6128**
Mitsubishi FK600**Inlet:** 3/8" MIOR
Outlet: 3/8" MIOR
Height: 205mm
Diameter: 60mmBinary switch LHS
of inlet (32kg)**RD2428**
Mitsubishi Galant HG, HH, 11/88-11/92**Inlet:** 3/8" MIOR
Outlet: 3/8" MIOR
Height: 205mm
Diameter: 60mmBinary switch LHS
of inlet (24kg)

RD0112

Mitsubishi L300 SF-SJ, 8/86-8/98

Inlet: 3/8" MIOR
Outlet: 3/8" MIOR
Height: 193mm
Diameter: 63.5mm

Switch port LHS
of inlet



RD6109

Mitsubishi L300, 4 & 6 cyl

Inlet: 5/16" MIOR
Outlet: 5/16" MIOR
Height: 205mm
Diameter: 60mm

Two switch ports



RD7061

Mitsubishi L400 WA, 00>

Inlet: Pad
Outlet: Pad
Height: 196mm
Diameter: 60mm

M11 switch port
Sight glass
PS7061



RD7037

Mitsubishi L400 Starwagon WA

Inlet: Pad
Outlet: Pad
Height: 228mm
Diameter: 60mm

Switch port
With dual A/C



RD7026

Mitsubishi L400 Express, 94>

Inlet: Pad
Outlet: Pad
Height: 175mm
Diameter: 60mm

Two switch ports
R134a Fitting Profile



RD5179

Mitsubishi Lancer CJ, 10/07>

Inlet: Pad
Outlet: Pad
Height: 230mm
Diameter: 40mm



RD7071

Mitsubishi Lancer CG, CH Sedan, 7/02>

Inlet: Pad
Outlet: Pad
Height: 230mm
Diameter: 40mm

Sub Cooler



RD7039

Mitsubishi Lancer CC-CE
Mitsubishi Mirage CC-CE

Inlet: Pad
Outlet: Pad
Height: 192mm
Diameter: 60mm

SAE switch port
PS3203



RD7023

Mitsubishi Lancer CC Sedan, Wagon

Inlet: Pad
Outlet: Pad
Height: 175mm
Diameter: 60mm

Two switch ports



RD6106

Mitsubishi Lancer CC

Inlet: 5/16" MIOR
Outlet: 5/16" MIOR
Height: 200mm
Diameter: 60mm

Switch port



RD0112

Mitsubishi Lancer CA-CC, 6/88-7/97

Inlet: 3/8" MIOR
Outlet: 3/8" MIOR
Height: 193mm
Diameter: 63.5mm

Switch port LHS
of inlet

**RD7101**

Mitsubishi Magna TL, TW, 6/03>

Inlet: Pad
Outlet: Pad
Height: 187mm
Diameter: 60mm

Pressure switch

**RD7061**

Mitsubishi Magna TJ, 00>

Inlet: Pad
Outlet: Pad
Height: 196mm
Diameter: 60mm

M11 switch port
Sight glass
PS7061

**RD7039**

Mitsubishi Magna TE, TF, TH, TJ

Inlet: Pad
Outlet: Pad
Height: 192mm
Diameter: 60mm

SAE switch port
PS3203

**RD7023**

Mitsubishi Magna TE

Inlet: Pad
Outlet: Pad
Height: 175mm
Diameter: 60mm

Two switch ports
Air International system

**RD7001**

Mitsubishi Magna TS, 3/94-3/96

Inlet: Pad
Outlet: Pad
Height: 190mm
Diameter: 60mm

R134a Fitting Profile

**RD7003**

Mitsubishi Magna TR, 93-94

Inlet: Pad
Outlet: Pad
Height: 185mm
Diameter: 60mm

R12 Fitting Profile

**RD6309**

Mitsubishi Magna TM-TP

Inlet: 5/16" MIOR
Outlet: 5/16" MIOR
Height: 195mm
Diameter: 63.5mm

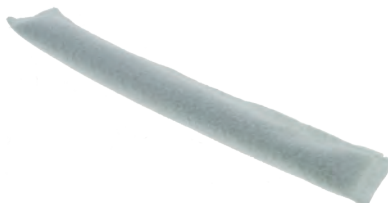
Two switch ports

**RD4050**

Mitsubishi Nimbus UG

Height: 225mm

Desiccant bag only

**RD0112**

Mitsubishi Nimbus UF, 6/91-8/98

Inlet: 3/8" MIOR
Outlet: 3/8" MIOR
Height: 193mm
Diameter: 63.5mm

Switch port LHS
of inlet



RD6159
Mitsubishi Nimbus UA-UC

Inlet: 3/8" MIOR
Outlet: 3/8" MIOR
Height: 205mm
Diameter: 60mm

Two switch ports



RD5179
Mitsubishi Outlander, 1/07>

Inlet: Pad
Outlet: Pad
Height: 230mm
Diameter: 40mm

Sub Cooler



RD7071
Mitsubishi Outlander ZE, 03-05

Inlet: Pad
Outlet: Pad
Height: 230mm
Diameter: 40mm

Sub Cooler



RD7077
Mitsubishi Pajero iO, QA, 11/98-1/02

Inlet: Pad
Outlet: Pad
Height: 260mm
Diameter: 45mm

Suits Jayair CN5177



RD7001
Mitsubishi Pajero NJ-NL

Inlet: Pad
Outlet: Pad
Height: 190mm
Diameter: 60mm

R134a Fitting Profile



RD0112
Mitsubishi Pajero NG, NH, 89-8/93

Inlet: 3/8" MIOR
Outlet: 3/8" MIOR
Height: 193mm
Diameter: 63.5mm

Switch port LHS of inlet



RD0126
Mitsubishi Pajero NA

Inlet: 3/8" MF
Outlet: 3/8" MF
Height: 193mm
Diameter: 63.5mm

Switch port LHS of inlet



RD7325
Mitsubishi Rosa

Inlet: 1/2" MIOR
Outlet: 3/8" MIOR
Height: 208mm
Diameter: 63.5mm

Switch port



RD0069
Mitsubishi Sigma GE, GH, GJ, GK

Inlet: 3/8" MF
Outlet: 3/8" MF
Height: 193mm
Diameter: 63.5mm

Two R12 service ports



RD7061
Mitsubishi Triton MK, 96-01

Inlet: Pad
Outlet: Pad
Height: 196mm
Diameter: 60mm

M11 switch port
Sight glass
PS7061



DIRECT REPLACEMENT RECEIVER DRIERS

RD7039
Mitsubishi Triton MK, 96-06

Inlet: Pad
Outlet: Pad
Height: 192mm
Diameter: 60mm

SAE switch port
PS3203



RD0112
Mitsubishi Triton ME-MJ, 3/86-6/94

Inlet: 3/8" MIOR
Outlet: 3/8" MIOR
Height: 193mm
Diameter: 63.5mm

Switch port LHS
of inlet



RD7065
Mitsubishi Truck

Inlet: Pad
Outlet: Pad
Height: 248mm
Diameter: 65mm

Switch port



RD7091
Mitsubishi Truck

Inlet: Pad
Outlet: Pad
Height: 233mm
Diameter: 67mm

Switch port



RD7101
Mitsubishi Verada KL, KW, 6/03>

Inlet: Pad
Outlet: Pad
Height: 187mm
Diameter: 60mm

Pressure switch



RD7061
Mitsubishi Verada KJ, 00>

Inlet: Pad
Outlet: Pad
Height: 196mm
Diameter: 60mm

M11 switch port
Sight glass
PS7061



RD7003
Mitsubishi Verada KR, KS, 93-96

Inlet: Pad
Outlet: Pad
Height: 185mm
Diameter: 60mm

R12 Fitting Profile



New Holland/Nissan

RD8501
New Holland

Inlet: 3/8" MIOR
Outlet: 3/8" FOR
Height: 160mm
Diameter: 65mm



RD8243
New Holland

Inlet: 18mm MIOR
Outlet: 18mm MIOR
Height: 140mm
Diameter: 65mm

Sight glass



DIRECT REPLACEMENT RECEIVER DRIERS

RD6260
Nissan 200B

Inlet: 3/8" MF
Outlet: 3/8" MF
Height: 190mm
Diameter: 70mm

Switch port
opposite outlet



RD7145
Nissan 200B

Inlet: 3/8" MF
Outlet: 3/8" MF
Height: 190mm
Diameter: 70mm

Switch port
Fuse plug



RD7041
Nissan 200SX S14, 7/96>

Inlet: Pad
Outlet: Pad
Height: 150mm
Diameter: 60mm

Switch port



RD5010
Nissan 200SX, 84-86

Inlet: M20 MIOR
Outlet: M16 MIOR
Height: 200mm
Diameter: 60mm

Two switch ports



RD7133
Nissan 300C

Inlet: 3/8" FIOR
Outlet: 3/8" FIOR
Height: 216mm
Diameter: 76mm

Fuse plug



RD7131
Nissan 300ZX Z32, 9/92-1/94
Nissan 300ZX Z31, 1/84-91

Inlet: M16 MIOR
Outlet: M16 MIOR
Height: 215mm
Diameter: 63.5mm

Switch port LHS
of inlet
Fuse plug



RD7068
Nissan 350Z Z33, 2/03>

Inlet: Pad
Outlet: Pad
Height: 260mm
Diameter: 40mm



RD7041
Nissan Bluebird U13, >12/97

Inlet: Pad
Outlet: Pad
Height: 150mm
Diameter: 60mm

Switch port



RD7036
Nissan Bluebird U13, 7/93-10/94

Inlet: Pad
Outlet: Pad
Height: 163mm
Diameter: 60mm

Two switch ports



RD7015
Nissan Bluebird

Inlet: Pad
Outlet: Pad
Height: 173mm
Diameter: 60mm

Two switch ports
R134a Fitting Profile



RD2164
Nissan Civilian Bus

Inlet: M22 MIOR
Outlet: M20 MIOR
Height: 330mm
Diameter: 70mm

Three switch ports

**RD7118**
Nissan Dualis J10, 12/07>

Inlet: Pad
Outlet: Pad
Height: 190mm
Diameter: 50mm

Switch port

**RD5179**
Nissan Maxima 03>

Inlet: Pad
Outlet: Pad
Height: 230mm
Diameter: 40mm

**RD7036**
Nissan Maxima, 10/93-10/95

Inlet: Pad
Outlet: Pad
Height: 163mm
Diameter: 60mm

Two switch ports

**RD7026**
Nissan Maxima J30, 10/92-10/93

Inlet: Pad
Outlet: Pad
Height: 175mm
Diameter: 60mm

Two switch ports
R134a Fitting Profile

**RD7024**
Nissan Maxima J30, 2/90-10/92

Inlet: Pad
Outlet: Pad
Height: 170mm
Diameter: 60mm

Two switch ports
R12 Fitting Profile

**RD5179**
Nissan Micra, 03>

Inlet: Pad
Outlet: Pad
Height: 230mm
Diameter: 40mm

**RD7028**
Nissan Micra K11E, 5/95>

Inlet: Pad
Outlet: Pad
Height: 165mm
Diameter: 60mm

R134a Fitting Profile

**RD7041**
Nissan Navara D22, 3/97>

Inlet: Pad
Outlet: Pad
Height: 150mm
Diameter: 60mm

Switch port

**RD5010**
Nissan Navara D21, 87-94
Nissan Pathfinder WD21, 86-94

Inlet: M20 MIOR
Outlet: M16 MIOR
Height: 200mm
Diameter: 60mm

Two switch ports



RD5500
Nissan Navara D40, 06>
Nissan Pathfinder, 06>

Inlet: Pad
Outlet: Pad
Height: 165mm
Diameter: 60mm



RD6117
Nissan Navara, 02>
Nissan Pathfinder R50, 8/97>

Inlet: Pad
Outlet: Pad
Height: 150mm
Diameter: 60mm

Switch port



RD7040
Nissan Pathfinder R50, 9/95-8/97

Inlet: Pad
Outlet: Pad
Height: 164mm
Diameter: 60mm

Switch port
Sight glass



RD7075
Nissan Patrol Y61, 10/97-11/02

Inlet: Pad
Outlet: Pad
Height: 225mm
Diameter: 60mm

With dual A/C



RD6117
Nissan Patrol TY61, 2/99>
Nissan Patrol Y61, 10/97>

Inlet: Pad
Outlet: Pad
Height: 150mm
Diameter: 60mm

Switch port



RD6260
Nissan Patrol Y60 MQ

Inlet: 3/8" MF
Outlet: 3/8" MF
Height: 190mm
Diameter: 70mm

Switch port
opposite outlet



RD9300
Nissan Patrol Y60 GQ, 88>

Inlet: M20 MIOR
Outlet: M16 MIOR
Height: 275mm
Diameter: 60mm

Two switch ports



RD5010
Nissan Patrol Y60 GQ

Inlet: M20 MIOR
Outlet: M16 MIOR
Height: 200mm
Diameter: 60mm

Two switch ports



RD0134
Nissan Patrol
Nissan Pintara
Nissan Skyline RWD

Inlet: 3/8" MIOR
Outlet: 3/8" MIOR
Height: 193mm
Diameter: 63.5mm

Two switch ports



RD0162
Nissan Prairie M10

Inlet: 3/8" MIOR
Outlet: 3/8" MIOR
Height: 203mm
Diameter: 63.5mm

Two switch ports



RD5176

Nissan Pulsar N16, 6/03>
Nissan Pulsar N16E Hatchback, 9/01>

Inlet: Pad
Outlet: Pad
Height: 140mm
Diameter: 60mm

Calsonic Type



RD5177

Nissan Pulsar N16, 6/03>
Nissan Pulsar N16E Hatchback, 9/01>

Inlet: Pad
Outlet: Pad
Height: 140mm
Diameter: 60mm

Zexel condenser



RD7068

Nissan Pulsar N16, 6/03>
Nissan Pulsar N16E Hatchback

Inlet: Pad
Outlet: Pad
Height: 260mm
Diameter: 40mm



RD5178

Nissan Pulsar N16E Hatchback

Inlet: Pad
Outlet: Pad
Height: 245mm
Diameter: 40mm



RD6117

Nissan Pulsar N15, 2/98-7/00

Inlet: Pad
Outlet: Pad
Height: 150mm
Diameter: 60mm

Switch port



RD7041

Nissan Pulsar N15, 6/96-2/98

Inlet: Pad
Outlet: Pad
Height: 150mm
Diameter: 60mm

Switch port



RD7023

Nissan Pulsar N15, 4/96-3/97

Inlet: Pad
Outlet: Pad
Height: 175mm
Diameter: 60mm

Two switch ports
Air International system



RD7053

Nissan Pulsar N15, 5/95-6/96

Inlet: Pad
Outlet: Pad
Height: 150mm
Diameter: 60mm

Switch port



RD7036

Nissan Pulsar N14, 1/94-8/95

Inlet: Pad
Outlet: Pad
Height: 163mm
Diameter: 60mm

Two switch ports



RD7006

Nissan Pulsar N14, 11/91-94

Inlet: Pad
Outlet: Pad
Height: 148mm
Diameter: 60mm

Two switch ports



RD0162
Nissan Pulsar N12

Inlet: 3/8" MIOR
Outlet: 3/8" MIOR
Height: 203mm
Diameter: 63.5mm

Two switch ports



RD5010
Nissan Pulsar, 82-87

Inlet: M20 MIOR
Outlet: M16 MIOR
Height: 200mm
Diameter: 60mm

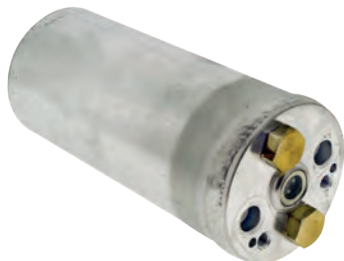
Two switch ports



RD7006
Nissan Serena C23, 3/92-9/94

Inlet: Pad
Outlet: Pad
Height: 148mm
Diameter: 60mm

Two switch ports



RD7053
Nissan Skyline R34, 98-99

Inlet: Pad
Outlet: Pad
Height: 150mm
Diameter: 60mm

Switch port



RD7113
Nissan Skyline R32, 92>
Nissan Stanza PA10

Inlet: M20 MIOR
Outlet: M16 MIOR
Height: 203mm
Diameter: 63.5mm

Switch port
Fuse plug



RD6260
Nissan Skyline

Inlet: 3/8" MF
Outlet: 3/8" MF
Height: 190mm
Diameter: 70mm

Switch port
opposite outlet



RD7036
Nissan Terrano R20, 7/93-10/94

Inlet: Pad
Outlet: Pad
Height: 163mm
Diameter: 60mm

Two switch ports



RD5179
Nissan Tiida, 03>

Inlet: Pad
Outlet: Pad
Height: 230mm
Diameter: 40mm



RD5178
Nissan X-Trail T30, T31, 10/01>

Inlet: Pad
Outlet: Pad
Height: 245mm
Diameter: 40mm



RD7068
Nissan X-Trail, 9/01>

Inlet: Pad
Outlet: Pad
Height: 260mm
Diameter: 40mm



DIRECT REPLACEMENT RECEIVER DRIERS

Peugeot

RD0205Peugeot 205, 83-98
Peugeot 305, 82-90Inlet: 3/8" MIOR
Outlet: 3/8" FIOR
Height: 212mm
Diameter: 76mmR12 service port
Moisture indicator**RD0206**

Peugeot 206, 99>

Inlet: Pad
Outlet: Pad
Height: 170mm
Diameter: 60mm**RD1306**

Peugeot 306, 97-98

Inlet: 3/8" MIOR
Outlet: 3/8" MIOR
Height: 78mm
Diameter: 60mm**RD0306**

Peugeot 306, 93-01

Inlet: 3/8" MIOR
Outlet: 3/8" MIOR
Height: 180mm
Diameter: 70mm

Moisture indicator

**RD7067**

Peugeot 307, 01>

Inlet: Screw Pad
Height: 340mm
Diameter: 40mm

Sub cooler cartridge

**RD0205**

Peugeot 309, 85-93

Inlet: 3/8" MIOR
Outlet: 3/8" FIOR
Height: 212mm
Diameter: 76mmMoisture indicator
R12 service port**RD4005**

Peugeot 405, Mk I & II, 87-96

Inlet: 3/8" MIOR
Outlet: 3/8" MIOR
Height: 240mm
Diameter: 51mmMoisture indicator
R12 service port**RD4006**

Peugeot 406, 95

Inlet: M16 MIOR
Outlet: M16 MIOR
Height: 140mm
Diameter: 70mm

2 Service ports

**RD0505**

Peugeot 505

Inlet: 3/8" MIOR
Outlet: 3/8" FIOR
Height: 215mm
Diameter: 64mmSwitch port
R12 service port

RD2038
Peugeot 505, 89-95

Inlet: 3/8" MIOR
Outlet: 3/8" FIOR
Height: 203mm
Diameter: 63.5mm

Fuse plug



RD9779
Peugeot 605

Inlet: 3/8" MIOR
Outlet: 3/8" MIOR
Height: 220mm
Diameter: 63mm

R12 service port



RD7067
Peugeot 607, 01>

Inlet: Screw Pad
Height: 340mm
Diameter: 40mm

Sub cooler cartridge



Porsche/Proton/
Range Rover

RD4911
Porsche 911

Inlet: 3/8" MF
Outlet: 3/8" MF
Height: 294mm
Diameter: 50mm

Switch port
Temp switch port



RD4922
Porsche 911

Inlet: 3/8" MIOR
Outlet: 3/8" MIOR
Height: 294mm
Diameter: 50mm

Switch port
Temp switch port



RD4928
Porsche 928

Inlet: 1/2" FOR
Outlet: 3/8" MIOR
Height: 155mm
Diameter: 75mm

Two switch ports
Temp switch port
Sight glass
R12 service port



RD7001
Proton Persona, 2/97>
Proton Satria, 2/97>
Proton Wira, 2/97>

Inlet: Pad
Outlet: Pad
Height: 190mm
Diameter: 60mm

R134a Fitting Profile



RD5561
Range Rover, 94>

Inlet: 3/8" MIOR
Outlet: 3/8" MIOR
Height: 210mm
Diameter: 64mm

R12 service port



RD0112
Range Rover, 86-94

Inlet: 3/8" MIOR
Outlet: 3/8" MIOR
Height: 193mm
Diameter: 63.5mm

Switch port LHS
of inlet



DIRECT REPLACEMENT RECEIVER DRIERS

RD5560
Range Rover, 82-86

Inlet: 3/8" MIOR
Outlet: 3/8" MIOR
Height: 220mm
Diameter: 63.5mm

Two R12 service ports



Red Dot

RD2546
Red Dot

Inlet: 3/8" MIOR
Outlet: 3/8" MIOR
Height: 160mm
Diameter: 80mm

Switch port
HPRV
Suits R-6100, R-9757
R-9777



RD2590
Red Dot Caterpillar

Inlet: 3/8" MIOR
Outlet: 3/8" MIOR
Height: 160mm
Diameter: 76mm

Moisture indicator
HPRV
Suits R-9777



RD8211
Red Dot Caterpillar
74R3526

Inlet: Quick connect
Outlet: Quick connect
Height: 198mm
Diameter: 103mm

Moisture indicator
HPRV
Pressure switch



RD7119
Red Dot Caterpillar 6P1309
74R3506

Inlet: 3/8" MF
Outlet: 3/8" MF
Height: 194mm
Diameter: 100mm

Fuse plug



RD8261
Red Dot Caterpillar
74R0470

Inlet: Quick connect
Outlet: Quick connect
Height: 350mm
Diameter: 64mm



RD2606
Red Dot Freightliner FLC, 81-83
74R2606

Inlet: 3/8" MIOR
Outlet: 3/8" MIOR
Height: 210mm
Diameter: 76mm

Switch port
Moisture indicator



RD3326
Red Dot Freightliner FLD112, 120 FL112, 95
74R3326, 74R3327

Inlet: 3/8" MIOR
Outlet: 3/8" FIOR
Height: 254mm
Diameter: 76mm

Two metric service ports



RD3146
Red Dot Freightliner FLD120, 94
73R3146

Inlet: 3/8" MIOR
Outlet: 3/8" FIOR
Height: 248mm
Diameter: 76mm

Two R12 service ports
Moisture indicator



RD1003
Red Dot International Harvester
74R4006

Inlet: 3/8" FIOR
Outlet: 3/8" MIOR
Height: 158mm
Diameter: 102mm



RD7130
Red Dot International Truck
74R3450

Inlet: 7/16" FIOR
Outlet: 3/8" FIOR
Height: 270mm
Diameter: 76mm



Two switch ports

RD1011
Red Dot John Deere
74R4116

Inlet: 3/8" FIOR
Outlet: 3/8" MIOR
Height: 200mm
Diameter: 102mm



Two sight glasses
In-line drier

RD0460
Red Dot John Deere
74R0460

Inlet: 3/8" MIOR
Outlet: 3/8" MIOR
Height: 245mm
Diameter: 63.5mm



In-line drier

RD3356
Red Dot Kenworth
74R3356

Inlet: 3/8" FIOR
Outlet: 3/8" MIOR
Height: 254mm
Diameter: 76mm



Moisture indicator
Sight glass

RD8133
Red Dot Kenworth
74R2306

Inlet: 3/8" MIOR
Outlet: 3/8" MIOR
Height: 253mm
Diameter: 78mm



Moisture indicator
Sight glass
R12 service port

RD8324
Red Dot Kenworth
74R3356

Inlet: 3/8" FIOR
Outlet: 3/8" MIOR
Height: 253mm
Diameter: 78mm



Moisture indicator
Sight glass

RD2229
Red Dot Mack
74R2536

Inlet: 3/8" MIOR
Outlet: 3/8" MIOR
Height: 165mm
Diameter: 76mm



HPRV
R12 service port
Suits R-9727

RD3917
Red Dot Mack Ultraliner
74R3076

Inlet: 3/8" MIOR
Outlet: 3/8" MIOR
Height: 230mm
Diameter: 76mm



Moisture indicator
HPRV
Service port

RD3376
Red Dot Volvo
74R3376

Inlet: 3/8" MIOR
Outlet: 3/8" MIOR
Height: 254mm
Diameter: 76mm



Moisture indicator
Fuse plug
R12 service port

RD3922
Red Dot Volvo Truck, 08>
74R0906

Inlet: 3/8" MIOR
Outlet: 3/8" MIOR
Height: 195mm
Diameter: 63.5mm

Switch port
Fuse plug



RD3136
Red Dot Western Star
74R3136

Inlet: 3/8" MIOR
Outlet: 3/8" MIOR
Height: 248mm
Diameter: 76mm

Moisture indicator
Fuse plug
R12 service port



RD2234
Red Dot

Inlet: 3/8" MIOR
Outlet: 3/8" MIOR
Height: 162mm
Diameter: 76mm

Two switch ports



RD2546
Red Dot
74R2546

Inlet: 3/8" MIOR
Outlet: 3/8" MIOR
Height: 160mm
Diameter: 80mm

Switch port
HPRV
Suits R-6100, R-9757
R-9777



Renault

RD0109
Renault 19, 88-97

Inlet: 3/8" MIOR
Outlet: 3/8" FIOR
Height: 160mm
Diameter: 60mm

Sight glass



RD0106
Renault Clio

Inlet: Pad
Outlet: Pad
Height: 246mm
Diameter: 50mm



RD0110
Renault Fuego, 80

Inlet: 3/8" MIOR
Outlet: 3/8" FIOR
Height: 198mm
Diameter: 63.5mm

Two R12 service ports



RD0111
Renault Laguna 95, 94-98

Inlet: Pad
Outlet: Pad
Height: 227mm
Diameter: 64mm

Pressure switch
Fuse plug



RD0104
Renault Laguna, 94

Inlet: 3/8" FIOR
Outlet: Pad
Height: 205mm
Diameter: 64mm



DIRECT REPLACEMENT RECEIVER DRIERS

RD7080
Renault Master
Renault Megane J64, 03>

Inlet: Pad
Outlet: Pad
Height: 165mm
Diameter: 60mm

Service Port



RD0105
Renault Megane, 99>
Renault Scenic Classic, 99>

Inlet: Pad
Outlet: Pad
Height: 210mm
Diameter: 63.5mm



RD3380
Renault Midlum Truck

Inlet: Pad
Outlet: Pad
Height: 225mm
Diameter: 75mm

Switch port
Sight glass



RD7080
Renault Scenic B64

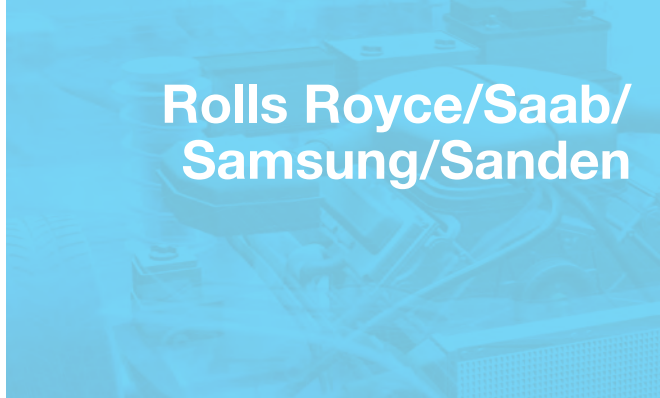
Inlet: Pad
Outlet: Pad
Height: 165mm
Diameter: 60mm

Service Port



RD3377
Renault Truck

Inlet: 3/8" FIOR
Outlet: 3/8" MIOR
Height: 220mm
Diameter: 75mm



RD7133
Rolls Royce Silver Shadow
Series 1

Inlet: 3/8" FIOR
Outlet: 3/8" FIOR
Height: 216mm
Diameter: 76mm

Fuse plug



RD9153
Saab 900, 2.0Lt, 2.3Lt, 2.5Lt, 93-98

Inlet: Pad
Outlet: Pad
Height: 175mm
Diameter: 70mm

Two switch ports



RD9055
Saab 900, 2.0Lt Turbo, 87-93

Inlet: 3/8" MIOR
Outlet: 3/8" FIOR
Height: 200mm
Diameter: 65mm

Switch port
Single stud mount



RD0108
Saab 900

Inlet: 3/8" MIOR
Outlet: 3/8" FIOR
Height: 203mm
Diameter: 63.5mm

Switch port



DIRECT REPLACEMENT RECEIVER DRIERS

RD4165

Saab 9000, 2.0, 2.3, 3.0Lt Turbo, 93-98

Inlet: 3/8" MIOR
Outlet: 3/8" MIOR x 2
Height: 155mm
Diameter: 76mm

Two switch ports
 Sight glass



RD4164

Saab 9000, 2.0, 2.3Lt Turbo, 85-93

Inlet: 3/8" FOR
Outlet: 3/8" MIOR
Height: 152mm
Diameter: 76mm

Switch port
 Sight glass



RD9166

Saab 9-3, 9/02>

Inlet: Pad
Outlet: Pad
Height: 160mm
Diameter: 60mm



RD9153

Saab 9-3, 2.0Lt, 2.3Lt Petrol, 2.2Lt Turbo Diesel, 98-02

Inlet: Pad
Outlet: Pad
Height: 175mm
Diameter: 70mm

Two switch ports



RD9162

Saab 9-5, 2.0Lt, 2.3Lt, 3.0Lt, 2.2Lt, 3.0Lt Turbo Diesel, 11/97>

Inlet: Pad
Outlet: Pad
Height: 200mm
Diameter: 60mm

Sight glass



RD9055

Saab Trucks

Inlet: 3/8" MIOR
Outlet: 3/8" FIOR
Height: 200mm
Diameter: 65mm

Switch port
 Single stud mount



RD0108

Saab Trucks

Inlet: 3/8" MIOR
Outlet: 3/8" FIOR
Height: 203mm
Diameter: 63.5mm

Switch port



RD3927

Saab Trucks

Inlet: Pad
Outlet: Pad
Height: 245mm
Diameter: 70mm



RD6356

Samsung Excavator

Inlet: M18 MIOR
Outlet: M18 MIOR
Height: 200mm
Diameter: 60mm

Switch port



RD6358

Samsung Excavator

Inlet: M18 MIOR
Outlet: M18 MIOR
Height: 200mm
Diameter: 60mm

Switch port
 Temp switch port



RD6360
Samsung Excavator

Inlet: M16 MIOR
Outlet: M16 MIOR
Height: 200mm
Diameter: 60mm

Switch port
Temp switch port



RD9012
Sanden

Inlet: Pad
Outlet: Pad
Height: 227mm
Diameter: 72mm

Switch port
Pressure switch
Sight glass



Scania/Seat/Skoda

RD3926
Scania Truck 3 Series

Inlet: 3/8" MIOR
Outlet: 3/8" FIOR
Height: 200mm
Diameter: 63.5mm

Switch port
Sight glass



RD9055
Scania Truck

Inlet: 3/8" MIOR
Outlet: 3/8" FIOR
Height: 200mm
Diameter: 65mm

Switch port
Single stud mount



RD3924
Scania Truck

Inlet: Pad
Outlet: MOR
Height: 170mm
Diameter: 76mm

Moisture indicator



RD0108
Scania Truck

Inlet: 3/8" MIOR
Outlet: 3/8" FIOR
Height: 203mm
Diameter: 63.5mm

Switch port



RD3927
Scania Truck

Inlet: Pad
Outlet: Pad
Height: 245mm
Diameter: 70mm



RD6339
Seat

Height: 340mm

Sub cooler cartridge
Supplied with aluminium cap



RD0011
Seat

Sub cool drier cap
Suits OE condenser only



RD4501
Seat Cordoba, 93-99
Seat Ibiza, 93-99

Inlet: 1/2" FIOR
Outlet: 3/8" FIOR
Height: 180mm
Diameter: 75mm

R12 Service port



RD4408
Seat Ibiza

Height: 345mm

Sub cooler cartridge



RD5401
Seat Toledo, 98

Inlet: Pad
Outlet: Pad
Height: 160mm
Diameter: 60mm



RD6339
Skoda

Height: 340mm

Sub cooler cartridge
Supplied with aluminium cap



RD0011
Skoda

Sub cool drier cap
Suits OE condenser only



RD4408
Skoda

Height: 345mm

Sub cooler cartridge



Smart/
Sperry New Holland/
Ssangyong/Sterling/
Subaru

RD7191
Smart Roadster

Inlet: Pad
Outlet: Pad
Height: 405mm
Diameter: 45mm



RD2116
Sperry New Holland

Inlet: 3/8" MIOR
Outlet: 3/8" MIOR
Height: 156mm
Diameter: 76mm

R12 service port



RD7186
Ssangyong Musso, 95>

Inlet: Pad
Outlet: Pad
Height: 145mm
Diameter: 60mm

Switch port



RD7019
Ssangyong Musso

Inlet: Pad
Outlet: Pad
Height: 150mm
Diameter: 60mm

Switch port
Imported system



RD9248
Sterling

Inlet: 5/8" MIOR
Outlet: 5/8" MIOR
Height: 205mm
Diameter: 85mm

Switch port
R134a service port



RD7076
Subaru Forester, 02>
Subaru Impreza G2, 03>

Inlet: Pad
Outlet: Pad
Height: 270mm
Diameter: 40mm



RD7040
Subaru Forester, 97-98

Inlet: Pad
Outlet: Pad
Height: 164mm
Diameter: 60mm

Switch port
Sight glass



RD7041
Subaru Impreza, 96-00

Inlet: Pad
Outlet: Pad
Height: 150mm
Diameter: 60mm

Switch port



RD7028
Subaru Impreza, 94-95

Inlet: Pad
Outlet: Pad
Height: 165mm
Diameter: 60mm

R134a Fitting Profile



RD7026
Subaru Impreza, 8/93-8/96

Inlet: Pad
Outlet: Pad
Height: 175mm
Diameter: 60mm

Two switch ports
R134a Fitting Profile



RD7131
Subaru Leone 'L' Wagon

Inlet: M16 MIOR
Outlet: M16 MIOR
Height: 215mm
Diameter: 63.5mm

Switch port LHS
of inlet
Fuse plug



RD7177
Subaru Leone, 85-87

Inlet: M16 MIOR
Outlet: M16 MIOR
Height: 184mm
Diameter: 70mm



RD7178
Subaru Leone, 85-87

Inlet: M16 MIOR
Outlet: M16 MIOR
Height: 184mm
Diameter: 70mm



DIRECT REPLACEMENT RECEIVER DRIERS

RD7175

Subaru Leone, 83-84

Inlet: M16 MIOR
Outlet: M16 MIOR
Height: 184mm
Diameter: 70mm

Two switch ports

**RD7174**

Subaru Leone, 82-83

Inlet: M16 MIOR
Outlet: M16 MIOR
Height: 193mm
Diameter: 63.5mm

Three switch ports

**RD4050**

Subaru Liberty B4, 99-02

Height: 225mm

Desiccant bag only

**RD7041**

Subaru Liberty, 97

Inlet: Pad
Outlet: Pad
Height: 150mm
Diameter: 60mm

Switch port

**RD7028**

Subaru Liberty, 94-95

Inlet: Pad
Outlet: Pad
Height: 165mm
Diameter: 60mm

R134a Fitting Profile

**RD7026**

Subaru Liberty, 92

Inlet: Pad
Outlet: Pad
Height: 175mm
Diameter: 60mm

Two switch ports
 R134a Fitting Profile

**RD7005**

Subaru Liberty, 91-93

Inlet: Pad
Outlet: Pad
Height: 160mm
Diameter: 60mm

R12 Fitting Profile

**RD5179**Subaru Liberty
Subaru Impreza WRX

Inlet: Pad
Outlet: Pad
Height: 230mm
Diameter: 40mm

**RD7028**

Subaru Outback, 94-95

Inlet: Pad
Outlet: Pad
Height: 165mm
Diameter: 60mm

R134a Fitting Profile

**RD7176**

Subaru, 84

Inlet: M16 MIOR
Outlet: M16 MIOR
Height: 184mm
Diameter: 70mm

Two switch ports



RD7104
Subaru, 82-84

Inlet: M16 MIOR
Outlet: M16 MIOR
Height: 203mm
Diameter: 63.5mm

Fuse plug



RD7028
Suzuki Alto, 10/95
Suzuki Baleno, 3/98>

Inlet: Pad
Outlet: Pad
Height: 165mm
Diameter: 60mm

R134a Fitting Profile



RD6310
Suzuki Alto, 86-95

Inlet: 5/16" MIOR
Outlet: 5/16" MIOR
Height: 190mm
Diameter: 67mm

Switch port
Fuse plug



RD7168
Suzuki Carry, 99
Suzuki Grand Vitara, 99

Inlet: Pad
Outlet: Pad
Height: 160mm
Diameter: 60mm

Switch port
Sight glass



RD4050
Suzuki Ignis, 00>

Height: 225mm

Desiccant bag only



RD7028
Suzuki Sierra, 3/94>
Suzuki Swift, 6/94>

Inlet: Pad
Outlet: Pad
Height: 165mm
Diameter: 60mm

R134a Fitting Profile



RD5160
Suzuki Sierra, 1.3Lt, 1/85-2/94

Inlet: 5/16" MIOR
Outlet: 5/16" MIOR
Height: 195mm
Diameter: 67mm

Two switch ports
Sight glass



RD6310
Suzuki Sierra, 1.0Lt, 9/81>
Suzuki Swift, 86-95

Inlet: 5/16" MIOR
Outlet: 5/16" MIOR
Height: 190mm
Diameter: 67mm

Switch port
Fuse plug



RD7005
Suzuki Swift, 11/88-5/94
Suzuki Vitara, 91-95

Inlet: Pad
Outlet: Pad
Height: 160mm
Diameter: 60mm

R12 Fitting Profile

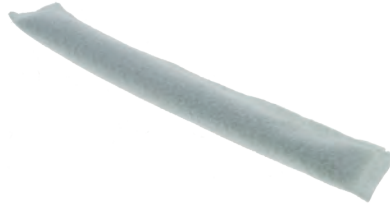


DIRECT REPLACEMENT RECEIVER DRIERS

RD4050
Suzuki Vitara, 99>

Height: 225mm

Desiccant bag only



RD7001
Suzuki Vitara, 95-96
Suzuki X90, 95-97

Inlet: Pad
Outlet: Pad
Height: 190mm
Diameter: 60mm

R134a Fitting Profile



RD6310
Suzuki Vitara, 84-91

Inlet: 5/16" MIOR
Outlet: 5/16" MIOR
Height: 190mm
Diameter: 67mm

Switch port
Fuse plug



RD7027
Toyota 4 Runner, 8/93-94

Inlet: Pad
Outlet: Pad
Height: 205mm
Diameter: 60mm

R134a Fitting Profile



RD7003
Toyota 4 Runner, 8/90-7/93

Inlet: Pad
Outlet: Pad
Height: 185mm
Diameter: 60mm

R12 Fitting Profile



RD6310
Toyota 4 Runner, 87-89

Inlet: 5/16" MIOR
Outlet: 5/16" MIOR
Height: 190mm
Diameter: 67mm

Switch port
Fuse plug



RD4070
Toyota Aurion GSV40R, 10/06-3/12

Height: 230mm

Plastic Cap
24mm nylon thread



RD7001
Toyota Avalon, 7/00>
Toyota Camry SXV20R, MCV20R, 97-02
Toyota Camry SDV10, SXV10, VDV10, 92-97

Inlet: Pad
Outlet: Pad
Height: 190mm
Diameter: 60mm

R134a Fitting Profile



RD4040
Toyota Avensis Verso ACM20R, 12/01-10/03
Toyota Avensis Verso ACM21R, 11/03-11/10

Height: 230mm

Kit - including cap,
desiccant bag & filter



RD4070
Toyota Camry ASV50R, 12/11>

Height: 230mm

Plastic Cap
24mm nylon thread



RD4085
Toyota Camry AHV40R, 2/10-2/12

Height: 275mm



RD4070
Toyota Camry ACV40R, 7/06-1/12
Toyota Camry ACV36R, MCV36R, 9/02-6/06

Height: 230mm

Plastic Cap
24mm nylon thread



RD7031
Toyota Camry SV21, SV22, 5/87-2/93

Inlet: Pad
Outlet: Pad
Height: 150mm
Diameter: 60mm

R12 Fitting Profile



RD7003
Toyota Camry SV21, 89-92

Inlet: Pad
Outlet: Pad
Height: 185mm
Diameter: 60mm

R12 Fitting Profile



RD7005
Toyota Camry SV21

Inlet: Pad
Outlet: Pad
Height: 160mm
Diameter: 60mm

R12 Fitting Profile



RD6310
Toyota Camry SV11, 84-86

Inlet: 5/16" MIOR
Outlet: 5/16" MIOR
Height: 190mm
Diameter: 67mm

Switch port
Fuse plug



RD4070
Toyota Celica ZZT231R, 02-3/06

Height: 230mm

Plastic Cap
24mm nylon thread



RD4040
Toyota Celica ZZT231R, 11/99-02

Height: 230mm

Kit - including cap,
desiccant bag & filter



RD7001
Toyota Celica ST204, ST205, 11/93-8/95

Inlet: Pad
Outlet: Pad
Height: 190mm
Diameter: 60mm

R134a Fitting Profile



RD7003
Toyota Celica ST184, ST185, 90-10/93

Inlet: Pad
Outlet: Pad
Height: 185mm
Diameter: 60mm

R12 Fitting Profile



RD6310
Toyota Celica ST162, 86-87
Toyota Celica RA60, RA65, SA63, 85

Inlet: 5/16" MIOR
Outlet: 5/16" MIOR
Height: 190mm
Diameter: 67mm

Switch port
Fuse plug



RD4070
Toyota Corolla ZRE152R, 5/07>

Height: 230mm

Plastic Cap
24mm nylon thread



RD4040
Toyota Corolla ZZE122R, 01>

Height: 230mm

Kit - including cap,
desiccant bag & filter



RD7028
Toyota Corolla AE112, 8/98>
Toyota Corolla AE101, 5/95-7/99
Toyota Corolla AE102, 2/94-4/95

Inlet: Pad
Outlet: Pad
Height: 165mm
Diameter: 60mm

R134a Fitting Profile



RD7027
Toyota Corolla AE92, AE94, AE95, AE96, 3/91-5/94

Inlet: Pad
Outlet: Pad
Height: 205mm
Diameter: 60mm

R134a Fitting Profile



RD7005
Toyota Corolla AE92

Inlet: Pad
Outlet: Pad
Height: 160mm
Diameter: 60mm

R12 Fitting Profile



RD7003
Toyota Corolla AE90, AE92, AE94
AE95, AE96, 89-8/93

Inlet: Pad
Outlet: Pad
Height: 185mm
Diameter: 60mm

R12 Fitting Profile



RD6310
Toyota Corolla AE71, AE80, AE82, AE86, 85-89
Toyota Corolla KE70, T18, TE72, 85-89
Toyota Corona RT142, ST141, 84-85

Inlet: 5/16" MIOR
Outlet: 5/16" MIOR
Height: 190mm
Diameter: 67mm

Switch port
Fuse plug



RD0408
Toyota Corona RT132

Inlet: 3/8" MF
Outlet: 3/8" MF
Height: 205mm
Diameter: 60mm

Two switch ports



RD7003

Toyota Cressida MX83, 7/91-3/94

Inlet: Pad
Outlet: Pad
Height: 185mm
Diameter: 60mm

R12 Fitting Profile
With single A/C



RD7083

Toyota Cressida MX83, 89-90

Inlet: Pad
Outlet: Pad
Height: 205mm
Diameter: 60mm

With dual A/C



RD6310

Toyota Cressida MX62, MX73, 82-87

Inlet: 5/16" MIOR
Outlet: 5/16" MIOR
Height: 190mm
Diameter: 67mm

Switch port
Fuse plug



RD7027

Toyota Dyna BU130, BU142, 95-99

Inlet: Pad
Outlet: Pad
Height: 205mm
Diameter: 60mm

R134a Fitting Profile



RD7001

Toyota Dyna, 93-99

Inlet: Pad
Outlet: Pad
Height: 190mm
Diameter: 60mm

R134a Fitting Profile



RD7003

Toyota Dyna 150, 91-11/93

Inlet: Pad
Outlet: Pad
Height: 185mm
Diameter: 60mm

R12 Fitting Profile



RD5160

Toyota Dyna 100, 86-92

Inlet: 5/16" MIOR
Outlet: 5/16" MIOR
Height: 195mm
Diameter: 67mm

Two switch ports
Sight glass



RD4070

Toyota Echo NCP10R, NCP12R, 99>

Height: 230mm

Plastic Cap
24mm nylon thread



RD4040

Toyota Echo NCP10R, NCP12R, 99>

Height: 230mm

Kit - including cap,
desiccant bag & filter



RD4070

Toyota FJ Cruiser GSJ15R, 3/11>

Height: 230mm

Plastic Cap
24mm nylon thread



RD4070
Toyota Hiace KDH, TRH, 3/05>

Height: 230mm

Plastic Cap
24mm nylon thread

RD7054
Toyota Hiace RCH12, SBV, 95>
Toyota Hiace RZH Series, 93>
Toyota Hiace LH Series, 93>

Inlet: Pad
Outlet: Pad
Height: 245mm
Diameter: 60mm

RD4070
Toyota Hilux GGN, KUN, TGN, 3/05>

Height: 230mm

Plastic Cap
24mm nylon thread

RD7001
Toyota Hilux KZN165, VZN167R, 00>
Toyota Hilux LN/RN/RZN, 93-97
Toyota Hilux VZN, V6, 93-96

Inlet: Pad
Outlet: Pad
Height: 190mm
Diameter: 60mm

R134a Fitting Profile

RD8070
Toyota Hilux LN, RN, RZN, VZN, KZN

Inlet: Pad
Outlet: Pad
Height: 185mm
Diameter: 60mm

R134a Fitting Profile

RD7003
Toyota Hilux YN85, 91-94
Toyota Hilux VZN, V6, 91-93
Toyota Hilux RN, 88-93

Inlet: Pad
Outlet: Pad
Height: 185mm
Diameter: 60mm

R12 Fitting Profile

RD6310
Toyota Hilux, 86-87

Inlet: 5/16" MIOR
Outlet: 5/16" MIOR
Height: 190mm
Diameter: 67mm

Switch port
Fuse plug

RD4070
Toyota Kluger GSU40R, GSU45R, 8/07>

Height: 230mm

Plastic Cap
24mm nylon thread

RD4040
Toyota Kluger MCU28R, 11/03-7/07

Height: 230mm

Kit - including cap, desiccant bag & filter

RD4070
Toyota Landcruiser 200 Series, 11/07>
Toyota Landcruiser 100 Series, 03>

Height: 230mm

Plastic Cap
24mm nylon thread

RD4040
Toyota Landcruiser 100 Series

Height: 230mm

Kit - including cap, desiccant bag & filter



RD4020
Toyota Landcruiser 100 Series

Height: 275mm

Kit - including cap, desiccant bag & filter
With dual A/C



RD4051
Toyota Landcruiser 100 Series

Height: 275mm

Desiccant bag only
With dual A/C



RD7027
Toyota Landcruiser FZJ75, FZJ80, 5/96>

Inlet: Pad
Outlet: Pad
Height: 205mm
Diameter: 60mm

R134a Fitting Profile



RD7005
Toyota Landcruiser 80 Series

Inlet: Pad
Outlet: Pad
Height: 160mm
Diameter: 60mm

R12 Fitting Profile



RD7027
Toyota Landcruiser 80 Series, 5/93>
Toyota Landcruiser 70 Series, 5/93>

Inlet: Pad
Outlet: Pad
Height: 205mm
Diameter: 60mm

R134a Fitting Profile



RD4070
Toyota Landcruiser VDJ76R, VDJ78R, VDJ79R, 3/07>

Height: 230mm

Plastic Cap
24mm nylon thread



RD7003
Toyota Landcruiser 70, 80 Series, 90-4/93

Inlet: Pad
Outlet: Pad
Height: 185mm
Diameter: 60mm

R12 Fitting Profile



RD6310
Toyota Landcruiser 70 Series, 86-90
Toyota Landcruiser 60 Series, 84-90

Inlet: 5/16" MIOR
Outlet: 5/16" MIOR
Height: 190mm
Diameter: 67mm

Switch port
Fuse plug



RD6108
Toyota Lexcen VR, VS, 93-01

Inlet: 5/16" MIOR
Outlet: 5/16" MIOR
Height: 203mm
Diameter: 60mm

Switch port RHS
of inlet
No sight glass



RD6023
Toyota Lexcen VP, 91-93

Inlet: 3/4" FIOR
Outlet: 3/4" MIOR
Height: 240mm
Diameter: 90mm

Two R12 service ports



RD5160
Toyota Liteace YM40, 86-89

Inlet: 5/16" MIOR
Outlet: 5/16" MIOR
Height: 195mm
Diameter: 67mm

Two switch ports
Sight glass



RD4070
Toyota MR2 ZZW30R, 10/00-3/06

Height: 230mm

Plastic Cap
24mm nylon thread



RD7001
Toyota MR2 SW20, 93-99

Inlet: Pad
Outlet: Pad
Height: 190mm
Diameter: 60mm

R134a Fitting Profile



RD7003
Toyota MR2 SW20, 12/91-8/93

Inlet: Pad
Outlet: Pad
Height: 185mm
Diameter: 60mm

R12 Fitting Profile



RD5160
Toyota MR2 AW11, 87-90

Inlet: 5/16" MIOR
Outlet: 5/16" MIOR
Height: 195mm
Diameter: 67mm

Two switch ports
Sight glass



RD4040
Toyota Paseo EL54, 98>

Height: 230mm

Kit - including cap,
desiccant bag & filter



RD7001
Toyota Paseo EL54, 8/96-11/97

Inlet: Pad
Outlet: Pad
Height: 190mm
Diameter: 60mm

R134a Fitting Profile



RD7027
Toyota Paseo EL44, 8/93-8/95

Inlet: Pad
Outlet: Pad
Height: 205mm
Diameter: 60mm

R134a Fitting Profile



RD7003
Toyota Paseo EL44, 4/91-7/93

Inlet: Pad
Outlet: Pad
Height: 185mm
Diameter: 60mm

R12 Fitting Profile



RD4070
Toyota Prado GRJ120, RZJ120, KZJ120, 3/03-10/09

Height: 230mm


Plastic Cap
24mm nylon thread



RD7027
Toyota Prado KZJ95, RZJ95, VZJ95, 5/96-2/03

Inlet: Pad
Outlet: Pad
Height: 205mm
Diameter: 60mm


R134a Fitting Profile



RD4085
Toyota Prius ZVW30R, 7/09>
Toyota Prius NHW20R, 11/03-6/09

Height: 275mm

Kit - including cap, desiccant bag & filter



RD4070
Toyota Rav4 ACA33R, 2/06>
Toyota Rav4 ACA38R, 4/10>
Toyota Rav4 GSA33R, 3.5Lt V6, 10/07>

Height: 230mm

Plastic Cap
24mm nylon thread



RD4070
Toyota Rav4 ACA22R, ACA23R, 2.4Lt, 10/03-1/06

Height: 230mm

Plastic Cap
24mm nylon thread



RD4070
Toyota Rukus AZE151R, 5/10>

Height: 230mm

Plastic Cap
24mm nylon thread



RD7054
Toyota Spacia SR40, 8/93>


Inlet: Pad
Outlet: Pad
Height: 245mm
Diameter: 60mm



RD7001
Toyota Starlet, 4/98-10/99

Inlet: Pad
Outlet: Pad
Height: 190mm
Diameter: 60mm


R134a Fitting Profile



RD7027
Toyota Starlet, 1/96-7/99

Inlet: Pad
Outlet: Pad
Height: 205mm
Diameter: 60mm

R134a Fitting Profile



RD6310
Toyota Supra MA61, 85
Toyota T18, TE72, 79-83

Inlet: 5/16" MIOR
Outlet: 5/16" MIOR
Height: 190mm
Diameter: 67mm

Switch port
Fuse plug



RD4070

Toyota Tarago ACR50R, 2.4Lt 4 cyl, 3/06>
Toyota Tarago GSR50R, 3.5Lt V6, 2/07>

Height: 230mm

Plastic Cap
24mm nylon thread



RD4040

Toyota Tarago ACR30, 00>

Height: 230mm

Kit - including cap, desiccant bag & filter



RD7054

Toyota Tarago TCR10, TCR11, TCR20

Inlet: Pad
Outlet: Pad
Height: 245mm
Diameter: 60mm



RD7063

Toyota Tarago TCR10, TCR11, 91-93

Inlet: 3/8" MIOR
Outlet: 3/8" MIOR
Height: 227mm
Diameter: 67mm

Fuse plug
Sight glass



RD6310

Toyota Tarago CR21, 84
Toyota Tarago YR20, YR21, YR22, 82-90

Inlet: 5/16" MIOR
Outlet: 5/16" MIOR
Height: 190mm
Diameter: 67mm

Switch port
Fuse plug



RD5160

Toyota Tarago YR31, 86-91

Inlet: 5/16" MIOR
Outlet: 5/16" MIOR
Height: 195mm
Diameter: 67mm

Two switch ports
Sight glass



RD6310

Toyota Tercel AL25, 86

Inlet: 5/16" MIOR
Outlet: 5/16" MIOR
Height: 190mm
Diameter: 67mm

Switch port
Fuse plug



RD7054

Toyota Townace YR39

Inlet: Pad
Outlet: Pad
Height: 245mm
Diameter: 60mm



RD4070

Toyota Yaris NCP130R, NCP131R, 11/11>

Height: 230mm

Plastic Cap
24mm nylon thread



RD4413

Toyota

Inlet: 3/8" MF
Outlet: 3/8" MF
Height: 206mm
Diameter: 66.5mm

Switch port



RD5161
Toyota

Inlet: 3/8" MIOR
Outlet: 3/8" MIOR
Height: 190mm
Diameter: 67mm

Two switch ports



**Truck and Tractor/
Versatile**

RD8005
Truck and Tractor FDR rebuild kit
Denso Bus & Coach

RD8022 Desiccant required



RD8021
Truck and Tractor FDR rebuild kit
Denso Bus & Coach

RD8022 Desiccant required



RD8022
Truck and Tractor FDR rebuild kit

200gms replacement desiccant



RD4170
Truck & Tractor Universal

Inlet: 1/2" MF
Outlet: 1/2" MF
Height: 108mm
Diameter: 75mm

Oil Separator
No Desiccant
3/8" MF oil fitting



RD4001
Truck & Tractor Universal

Inlet: 3/8" MIOR
Outlet: 3/8" MIOR
Height: 205mm
Diameter: 76mm

In-line drier
Suits refrigeration systems



RD2054
Truck & Tractor Universal

Inlet: 3/8" MF
Outlet: 3/8" MF
Height: 250mm
Diameter: 70mm

Two switch ports



RD2197
Truck & Tractor Universal

Inlet: 3/8" MF
Outlet: 3/8" MF
Height: 280mm
Diameter: 76mm

Switch port



RD7004
Truck & Tractor Universal

Inlet: 3/8" MF
Outlet: 3/8" MF
Height: 172mm
Diameter: 76mm

In-line drier



RD7133
Truck & Tractor Universal

Inlet: 3/8" FIOR
Outlet: 3/8" FIOR
Height: 216mm
Diameter: 76mm

Fuse plug



RD7107
Versatile Tractor

Inlet: 3/8" MF
Outlet: 3/8" MF
Height: 175mm
Diameter: 100mm

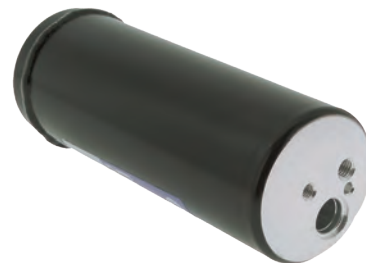
Fuse plug at base of drier



Volkswagen

RD5401
Volkswagen Beetle, 99>
Volkswagen Bora, 99>

Inlet: Pad
Outlet: Pad
Height: 160mm
Diameter: 60mm



RD4502
Volkswagen Caravelle

Inlet: 1/2" FIOR
Outlet: 3/8" FIOR
Height: 175mm
Diameter: 75mm



RD5402
Volkswagen Caravelle

Inlet: 3/8" MIOR
Outlet: 3/8" FIOR
Height: 115mm
Diameter: 76mm

HPRV



RD4504
Volkswagen Caravelle

Inlet: 3/8" FIOR x 2
Outlet: 1/2" FIOR
Height: 180mm
Diameter: 75mm

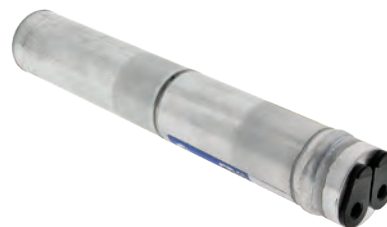
R12 service port
With dual A/C



RD7115
Volkswagen Crafter, 07>

Inlet: Pad
Outlet: Pad
Height: 250mm
Diameter: 40mm

Sub Cooler



RD7320
Volkswagen Golf V

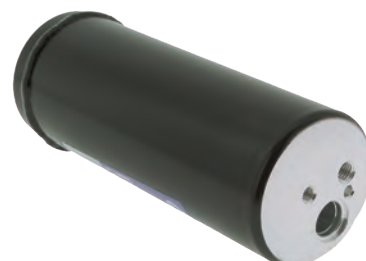
Inlet: Pad
Outlet: Pad
Height: 345mm
Diameter: 30mm

Sub Cooler



RD5401
Volkswagen Golf IV, 99>

Inlet: Pad
Outlet: Pad
Height: 160mm
Diameter: 60mm



DIRECT REPLACEMENT RECEIVER DRIERS

RD4501
Volkswagen Golf III

Inlet: 1/2" FIOR
Outlet: 3/8" FIOR
Height: 180mm
Diameter: 75mm

R12 Service port



RD9777
Volkswagen Jetta

Inlet: 3/8" MIOR
Outlet: 3/8" MIOR
Height: 180mm
Diameter: 75mm

Switch port



RD0085
Volkswagen Passat, 01>

Inlet: Pad
Outlet: Pad
Height: 200mm
Diameter: 75mm



RD0084
Volkswagen Passat, 11/00>

Inlet: Pad
Outlet: Pad
Height: 200mm
Diameter: 75mm



RD7088
Volkswagen Passat, 11/00>

Inlet: Pad
Outlet: Pad
Height: 205mm
Diameter: 75mm



RD0082
Volkswagen Passat, 10/96-11/00

Inlet: 3/4" FIOR
Outlet: 3/4" MIOR
Height: 240mm
Diameter: 90mm



RD0080
Volkswagen Passat, 98>

Inlet: M28 FIOR
Outlet: M28 MIOR
Height: 240mm
Diameter: 90mm



RD9804
Volkswagen Passat, 95>

Inlet: 3/8" FIOR
Outlet: 1/2" FIOR
Height: 180mm
Diameter: 74mm



RD9778
Volkswagen Passat

Inlet: 3/8" MIOR
Outlet: 3/8" MIOR
Height: 180mm
Diameter: 75mm

Switch port



RD6339
Volkswagen Polo, 02>

Height: 340mm

Sub cooler cartridge
Supplied with aluminium cap



DIRECT REPLACEMENT RECEIVER DRIERS

RD7074
Volkswagen Polo, 6/00-03

Inlet: Pad
Outlet: Pad
Height: 275mm
Diameter: 40mm



RD4501
Volkswagen Polo IV

Inlet: 1/2" FIOR
Outlet: 3/8" FIOR
Height: 180mm
Diameter: 75mm

R12 Service port



RD0011
Volkswagen Polo

Sub cool drier cap
Suits OE condenser only



RD4408
Volkswagen Polo

Height: 345mm

Sub cooler cartridge



RD4055
Volkswagen Touareg
Volkswagen Transporter T5

Height: 225mm

Suits genuine BEHR



RD7001
Volkswagen Transporter T4, 96>

Inlet: Pad
Outlet: Pad
Height: 190mm
Diameter: 60mm

R134a Fitting Profile
Denso system



RD4502
Volkswagen Transporter T4

Inlet: 1/2" FIOR
Outlet: 3/8" FIOR
Height: 175mm
Diameter: 75mm



RD5402
Volkswagen Transporter T4

Inlet: 3/8" MIOR
Outlet: 3/8" FIOR
Height: 115mm
Diameter: 76mm

HPRV



RD7050
Volvo 240

Inlet: M27 FIOR
Outlet: M27 MIOR
Height: 215mm
Diameter: 90mm

R12 service port
R134a Fitting Profile



RD7020
Volvo 740

Inlet: 3/4" FIOR
Outlet: 3/4" MIOR
Height: 224mm
Diameter: 90mm

Two R12 service ports
R12 Fitting Profile



RD7055
Volvo 850, 92-97

Inlet: 5/8" FSL
Outlet: 5/8" MIOR
Height: 175mm
Diameter: 85mm



RD7032
Volvo 940
Volvo 960

Inlet: 3/4" FIOR
Outlet: 3/4" MIOR
Height: 230mm
Diameter: 90mm

Two R12 service ports
R12 Fitting Profile



RD7100
Volvo 940

Inlet: M27 FIOR
Outlet: M27 MIOR
Height: 225mm
Diameter: 87mm

Service port



RD7050
Volvo 960

Inlet: M27 FIOR
Outlet: M27 MIOR
Height: 215mm
Diameter: 90mm

R12 service port
R134a Fitting Profile



RD7109
Volvo C30, 3/07>

Inlet: Pad
Outlet: Pad
Height: 200mm
Diameter: 90mm



RD7089
Volvo FE Loader

Inlet: Pad
Outlet: Pad
Height: 260mm
Diameter: 75mm



RD7092
Volvo S60, S80

Inlet: Pad
Outlet: Pad
Height: 177mm
Diameter: 60mm

Switch port



RD7039
Volvo V40, S40 2/97-7/99

Inlet: Pad
Outlet: Pad
Height: 192mm
Diameter: 60mm

SAE switch port
PS3203



RD7109
Volvo V50, 6/04>

Inlet: Pad
Outlet: Pad
Height: 200mm
Diameter: 90mm



RD7092
Volvo V70

Inlet: Pad
Outlet: Pad
Height: 177mm
Diameter: 60mm

Switch port



RD8517
Volvo Replacement V.I.R. Desiccant bag

VIR Desiccant bag replacement kit



RD3925
Volvo Tractor

Inlet: 3/8" MIOR
Outlet: 3/8" MIOR
Height: 156mm
Diameter: 76mm

Switch port
Sight glass
R12 service port



RD6115
Volvo Tractor 120B, 150B

Inlet: 3/8" MIOR
Outlet: 3/8" FIOR
Height: 220mm
Diameter: 76mm

R134a service port



RD3376
Volvo Truck & Tractor

Inlet: 3/8" MIOR
Outlet: 3/8" MIOR
Height: 254mm
Diameter: 76mm

Moisture indicator
Fuse plug
R12 service port



RD3900
Volvo Truck F10

Inlet: 3/8" MIOR
Outlet: 3/8" MIOR
Height: 220mm
Diameter: 70mm

Two switch ports
Sight glass
R12 service port



RD3912
Volvo Truck FH12, FH16

Inlet: 3/8" MIOR
Outlet: 3/8" FIOR
Height: 225mm
Diameter: 75mm

Service port



RD3921
Volvo Truck FL16

Inlet: M16 MIOR
Outlet: M16 MIOR
Height: 225mm
Diameter: 75mm

Switch port
Service port



RD3915
Volvo Truck FL7

Inlet: 3/8" MIOR
Outlet: 3/8" MIOR
Height: 250mm
Diameter: 70mm

Two switch ports
Sight glass
R12 service port



RD3916
Volvo Truck FL7, FL608, FL609, BML160

Inlet: 3/8" MIOR
Outlet: 3/8" MIOR
Height: 195mm
Diameter: 75mm

Service port
Fuse plug



RD6124
Volvo Truck FM420, 98

Inlet: 3/8" MIOR
Outlet: 3/8" FIOR
Height: 220mm
Diameter: 80mm

Service port



RD3919
Volvo Truck L70, L90

Inlet: Pad
Outlet: Pad
Height: 255mm
Diameter: 70mm

Sight glass
R134a service port



RD7089
Volvo Truck L70, L90, 00>

Inlet: Pad
Outlet: Pad
Height: 260mm
Diameter: 75mm



RD3910
Volvo Truck V10

Inlet: 3/8" MIOR
Outlet: 3/8" MIOR
Height: 220mm
Diameter: 70mm

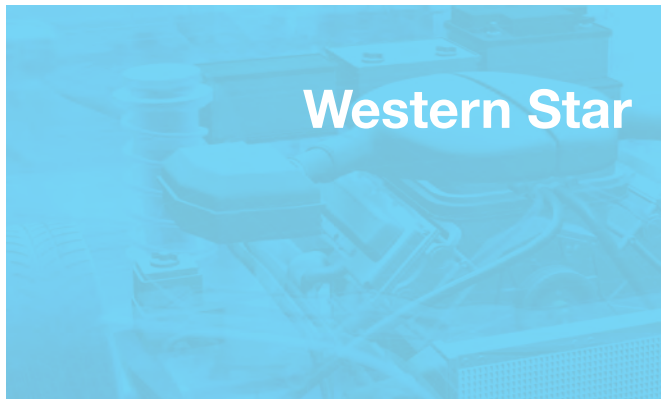
Two switch ports
Sight glass
R12 service port



RD3922
Volvo Truck, 08>

Inlet: 3/8" MIOR
Outlet: 3/8" MIOR
Height: 195mm
Diameter: 63.5mm

Switch port
Fuse plug



RD3327
Western Star

Inlet: Pad
Outlet: Pad
Height: 165mm
Diameter: 101mm



RD3376
Western Star

Inlet: 3/8" MIOR
Outlet: 3/8" MIOR
Height: 254mm
Diameter: 76mm

Moisture indicator
Fuse plug
R12 service port



RD3136
Western Star

Inlet: 3/8" MIOR
Outlet: 3/8" MIOR
Height: 248mm
Diameter: 76mm

Moisture indicator
Fuse plug
R12 service port

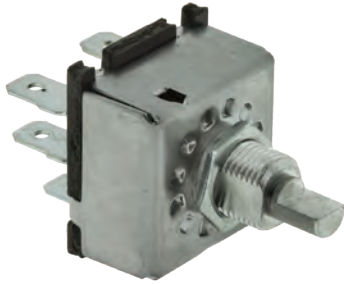


DIRECT REPLACEMENT RECEIVER DRIERS

SE2002

Universal Rotary Fan Switch
12V, 3 Speed

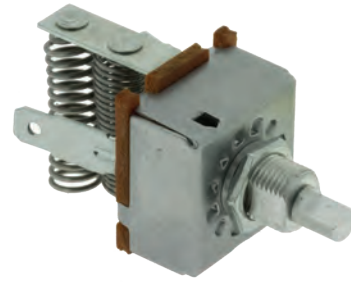
5 Pin



SE2003

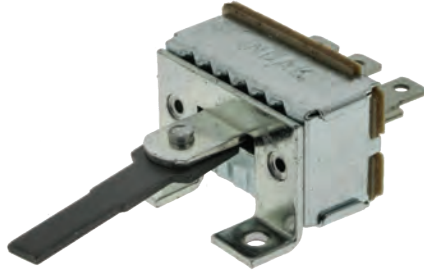
Universal Rotary Fan Switch
12V, 3 Speed with Resistor

5 Pin



SW7603

Universal Lever Fan Switch
12/24V, 3 Speed



SE5001

Universal A/C Switch
12V



SE5002

Universal A/C Switch
24V



SE7420

Universal Fan Switch with Resistor
24V

H/Duty



SW1086

Ford Courier
A/C Switch



SP1509

Ford Falcon BA, BF, FG, 9/02>
Ford Territory SX, SY, 5/04-4/11
Blend door motor

Dual Zone



SP1512

Ford Falcon BA, BF, FG, 9/02>
Ford Territory SX, SY, 5/04-4/11
HIM Kit Module with Levers

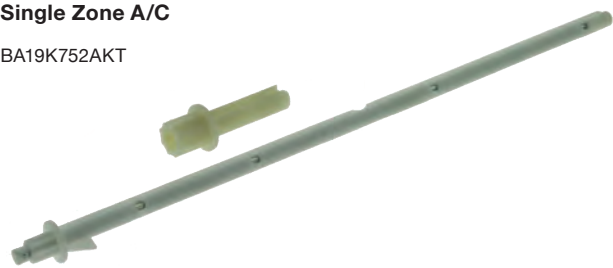
CAL10



SP1502

Ford Falcon BA
Air Mix Shaft Kit
Single Zone A/C

BA19K752AKT



SP1503

Ford Falcon BA
Air Mix Shaft Kit
Dual Zone A/C

BA19K752BKT



SE2420

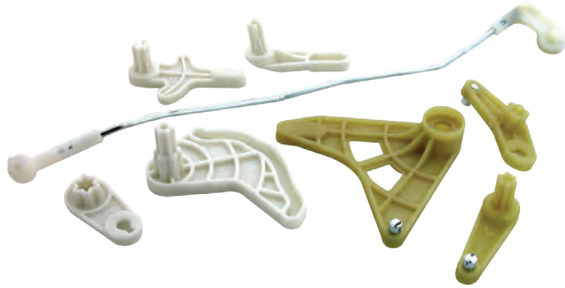
Holden Commodore VT, VY, VZ
Solenoid Assembly

6 Way
06-22420



SP3044

Holden Commodore VE, 8/06>
HVAC Lever and Rod Service Pack



SP1917

Holden Commodore VT, VY
Vacuum Plunger

92140619



AC2866

Holden Commodore VE, 8/06>
Actuator Air Mode & Temp Mix



AC7276

Holden Commodore VE, 8/06-21/1/07
Actuator

Driver's side



SW1050

Hyundai Excel EFI, 8/91-94
A/C Switch



SW1058

Hyundai Excel GLS, Sonata 94
A/C Switch

97269-34100



SW1059

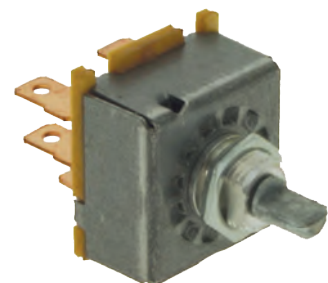
Hyundai Excel L & LS, 94>
A/C Switch



SW6618

Kysor KA700
Rotary Fan Switch

12V/24V





SW0009

Mercedes Sprinter
A/C Switch

A0045451607



SW0012

Mercedes Sprinter
A/C Switch

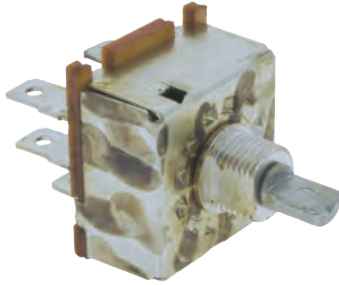
A0065456507



SP3779

Rotary Fan Switch
Red Dot 71R1165

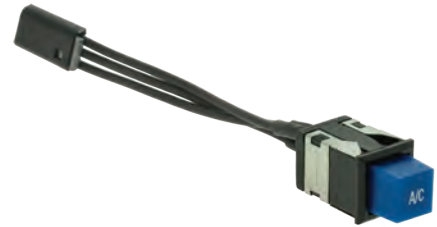
Suits R-9800
12V, 3 Speed



SW0003

A/C Switch
Red Dot 71R0030

Illuminated



SW1150

Rotary Fan Switch
Red Dot 71R1150

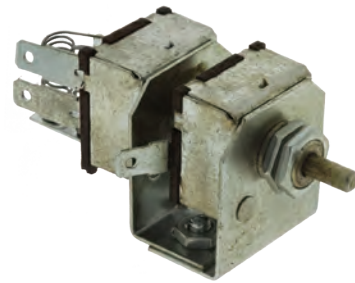
3 Speed



SW1200

Rotary Fan Switch with Resistor
Red Dot 71R1200

12V, 3 Speed



SW1055

Toyota Camry
A/C Switch



SW2210

Toyota Corolla ZZE122R, 12/01-4/07
A/C Switch



SW0110

Toyota Hiace
A/C Switch



SW2410

Toyota Hilux, 05>
A/C Switch



SW3290
Toyota Hilux
A/C Switch



SW2520
Toyota Landcruiser 80 Series
A/C Switch

Genuine



SW0001
VW Kombi T4
Recirc Switch

Genuine



SW0008
VW Kombi 96>

70394332701C



SW0010
VW Transporter T4, Series 3, 99>
Demist Switch

7D0959621



SE6006
Switch retaining nut
Metric M11 x .75



SE6007
Switch retaining nut
SAE 7/16" UNF



SP9020
Universal Temperature Switch Knob
D Shaft



SP9019
Universal Fan Switch Knob
D Shaft



SP3894
Formula Switch Knob
Suits Formula King Switch Assemblies

Suits SE2010, SE2011



SP4040
Control Knob
Red Dot 71R4040

Suits R-9800



SP4050
Control Knob
Red Dot 71R4050

Suits R-6000, R-9727



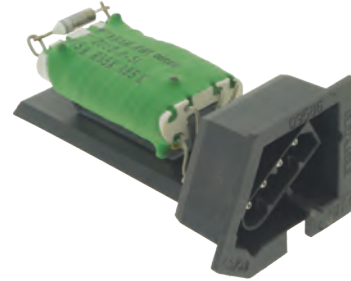
PR2006
AMC Resistor

Suits CM1000, CM2000
Evaporators



PR6118
BMW E36 3 Series

64118391749



PR2154
Holden Commodore VY, VX
With Climate Control

92162703



PR2151
Holden Commodore VR, VS
With Climate Control

VS20931
PR2150, Standard A/C



PR0710
Honda CRV

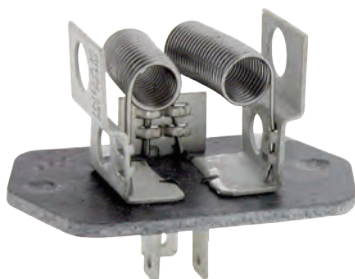


PR1670
Kysor
24V, 3 Speed



PR1450
Red Dot 71R1450
12V, 3 Speed

Suits R-9727, R-7830



PR3560
Toyota Corolla ZZE122R, 12/01-4/07

HVAC Blower Resistor



PR1424
Universal Fan Resistor
 24V, 3 Speed



SE1134
Solenoid Valve 24V

Fittings: # 6 MIOR



SE8636
Solenoid Valve 12V
Brass Body

Fittings: # 6 MIOR



SE9002
Solenoid Valve 12V
Red Dot 71R9002

Fittings: # 6 MIOR




SE4001
Blocking Diode
1 Amp

Black



SE4002
Blocking Diode
3 Amp

Blue



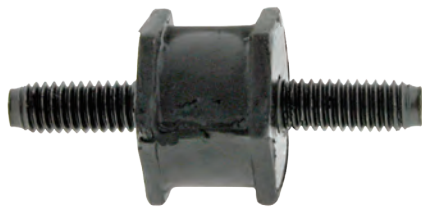
SP5829
Universal Rubber Mount
Condenser lower

Diameter: 30mm
 Hole: 5mm



SP2020
Universal Rubber Bush
Condenser Mount

Stud Length: 15mm
 Thread: M6 x 1.0



SP9004
Drain Tube Valve
Suits 1/2" Drain hose



SP5000
Drain Tube Grommet 1/2"
Suits 25mm hole

ID: 12mm





SP5010
 Drain Tube Grommet 3/8"
 Suits 25mm hole

ID: 12mm



SP9003
 Universal Grommet
 Suits 35mm hole

ID: 9mm



SP5031
 Drain hose 3/8"
 Per metre



SP5032
 Drain hose 1/2"
 Per metre



SP9400
 Drain hose 1/2"
 With 90° elbow

Length: 400mm



SP5027
 Plastic 'T' Piece
 Suits 3/8" Drain hose



SP5028
 Plastic 'T' Piece
 Suits 1/2" Drain hose



SP5029
 Plastic Elbow
 Suits 3/8" Drain hose



SP5030
 Plastic Elbow
 Suits 1/2" Drain hose



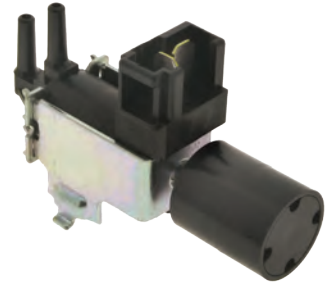
SP5210
 Universal Stepped Grommet
 Suits # 6 - # 12 refrigerant hose



VS0002
VSV Solenoid
Square, Normally Closed



VS0005
VSV Solenoid
Suits Toyota Camry SV21



SP0100
Vacuum Check Valve



SP0120
Plastic 'T' Piece
Suits 7/64" Hose



SP0205
Vacuum Hose
2.8mm / 7/64"

Per metre



SP1917
Holden Commodore VT, VY
Vacuum Plunger

92140619

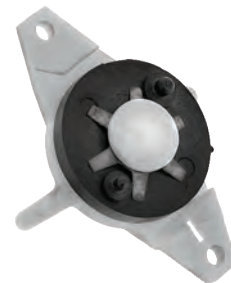


SP0130
Holden Commodore VN, VP, VR
Vacuum Control

VS21146



SP2279
Holden Commodore VT
Selector Mode Valve



SW3402
Holden Commodore VP, VR, VS, VT
Vacuum Switch



SP9025
25mm
SP9027
27mm
Heat Resistant Insulation

Length: 600mm



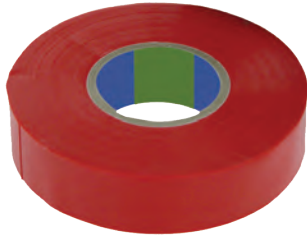


SP9038

Black
SP9039

Red
Electrical Tape

Size: 19mm x 20m
Qty: Pkt. 10

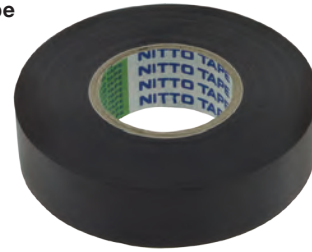


SP9041

10m
SP9042

20m
**Nitto Electrical Tape
Black**

Qty: Pkt. 10
Lead Free



SP9045

**Nitto Harness Tape
Black**

Size: 19mm x 20m
Qty: Pkt. 10
Lead Free



SP9046

**Nitto Harness Tape
Black**

Size: 25mm x 20m
Qty: Pkt. 8
Lead Free



SP9040

**Nitto Butyl Rubber Tape
Black**

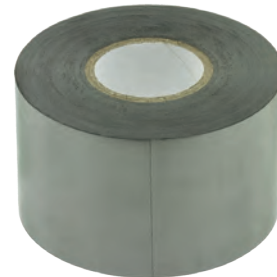
Size: 19mm x 10m



SP9036

**Duct Tape
Silver**

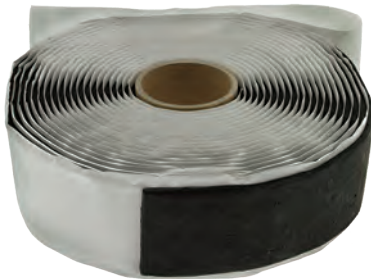
Length: 30m



SP5025

**Bitumen tape
55mm x 3mm**

Length: 9m



SP6001

**Foam Insulation Tape
50mm x 3.5mm**

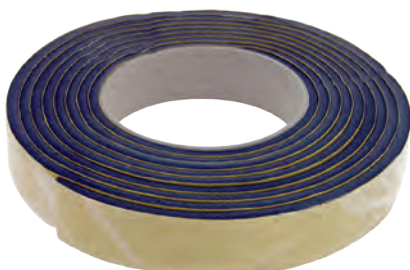
Length: 9m



SP3013

**Foam Tape - Closed Cell
25mm x 6mm**

Length: 3m



SP3016

**Foam Tape - Closed Cell
25mm x 3mm**

Length: 2m



SP6010
 Each
SP6010-25
 Qty: 25
Suits: # 6 Alloy line

Clamp Size: 8mm
 Mount Hole Diameter: 6mm



SP6013
 Each
SP6013-25
 Qty: 25
Suits: # 8 Alloy line

Clamp Size: 12mm
 Mount Hole Diameter: 6mm



SP6015
 Each
Suits: # 10 Alloy line

Clamp Size: 15mm
 Mount Hole Diameter: 8mm



SP6018
 Each
SP6018-25
 Qty: 25
Suits: # 6 hose

Clamp Size: 19mm
 Mount Hole Diameter: 6mm



SP8022
 Each
SP8022-25
 Qty: 25
Suits: # 8 hose

Clamp Size: 21mm
 Mount Hole Diameter: 6mm



SP6025
 Each
SP6025-25
 Qty: 25
Suits: # 10 hose

Clamp Size: 24mm
 Mount Hole Diameter: 6mm



SP8120
 Each
SP8120-25
 Qty: 25
Dual hose clamp

Mount Hole Diameter: 6mm



HS008P
Hose clamp 11-25mm
Stainless Steel band

Qty: 10



HS010P
Hose clamp 14-27mm
Stainless Steel band

Qty: 10



HS012P
Hose clamp 14-32mm
Stainless Steel band

Qty: 10



WC0100
Workshop Rags
10kg

WC0200
Workshop Rags Singlet
10kg

Foam Sleeve

Part No.	OD	ID	Length
SP3001	19.5mm	9.5mm	1.8m
SP3012	22mm	12mm	1.8m
SP3002	26mm	16mm	1.8m
SP3006	30mm	18mm	1.8m
SP3003	41mm	22mm	1.8m
SP3004	43.5mm	24.5mm	1.8m

Plastic Ties

Part No.	Dimensions	Qty
CT5001	3.5mm x 140mm	Pkt. 100
CT5002	3.5mm x 200mm	Pkt. 100
CT5003	3.6mm x 295mm	Pkt. 100
CT5004	4.8mm x 200mm	Pkt. 100

Spiral Wrap

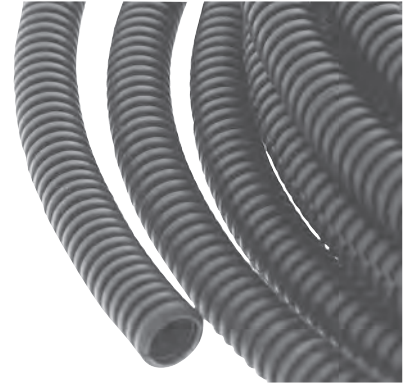
Part No.	ID	Length
SP0410	4mm	10m
SP0710	7mm	10m
SP0910	9mm	10m
SP1510	15mm	10m
SP2010	20mm	10m

Sundry Parts Split Convoluted Tubing

Type:	Split Convoluted Tubing
Colour:	Black
Construction:	Polypropylene
Operating Temperature:	-25°C to +110°C. Peak Up to 120°C

Springs back when opened making sure your cable remains inside the Tubing. Flame Retardant.

Internal Diameter	Wall Thickness	Part Number / Length	
		10m	30m
7.0mm	0.25mm	PT0710	PT0730
9.7mm	0.5mm	PT1010	PT1030
12.8mm	0.5mm	PT1310	PT1330
16.5mm	0.5mm	PT1610	PT1630
21.5mm	0.5mm	PT2010	PT2030
23.0mm	0.5mm	PT2310	
29.0mm	0.5mm	PT3010	PT3030
36.0mm	0.5mm	PT3610	
48.0mm	0.5mm	PT4810	



Non Split Convoluted Tubing

Type:	Non Split Convoluted Tubing
Colour:	Black
Construction:	Polypropylene
Operating Temperature:	-25°C to +90°C. Peak Up to 120°C

Springs back when opened making sure your cable remains inside the Tubing. Flame Retardant.

Internal Diameter	Wall Thickness	Part Number / Length	
		10m	30m
7.0mm	0.25mm	PT0710N	PT0730N
9.7mm	0.5mm	PT1010N	PT1030N
12.8mm	0.5mm	PT1310N	PT1330N
16.5mm	0.5mm	PT1610N	PT1630N
21.5mm	0.5mm	PT2010N	PT2030N
23.0mm	0.5mm	PT2310N	
29.0mm	0.5mm	PT3010N	
36.0mm	0.5mm	PT3610N	

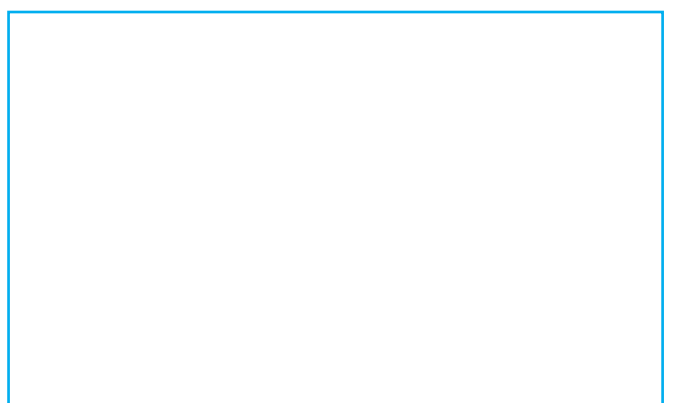
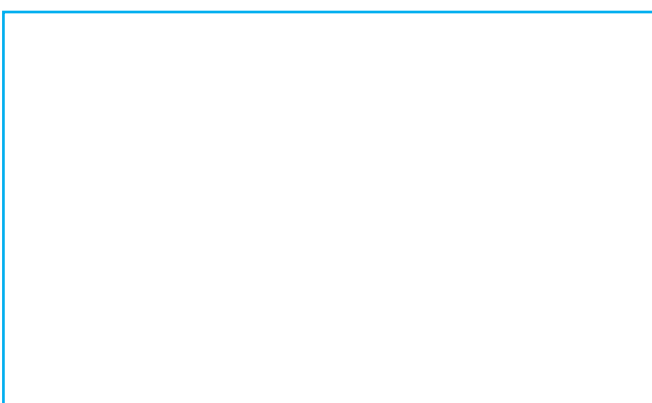
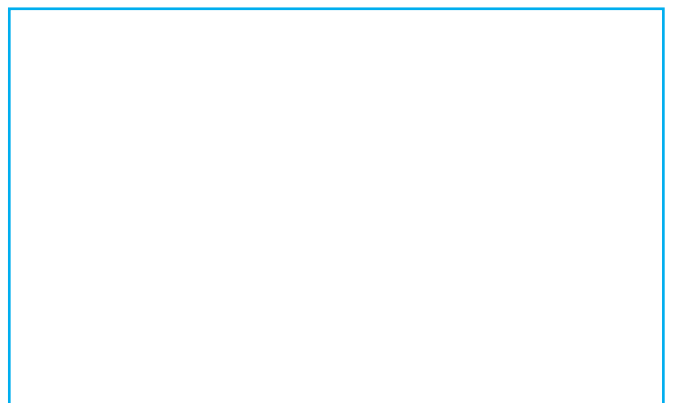
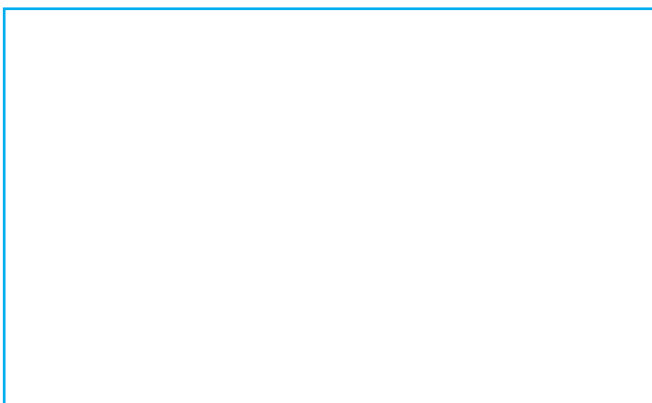
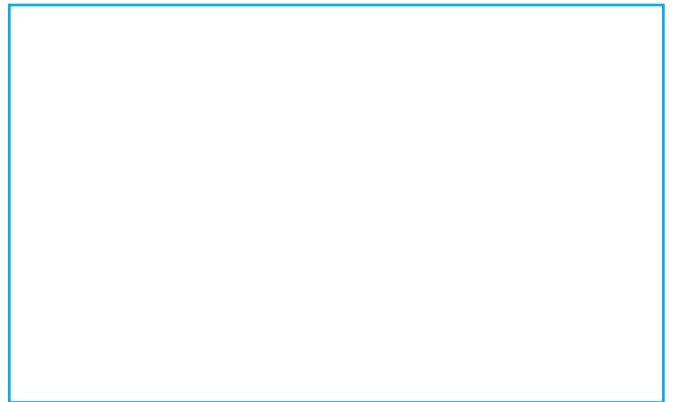
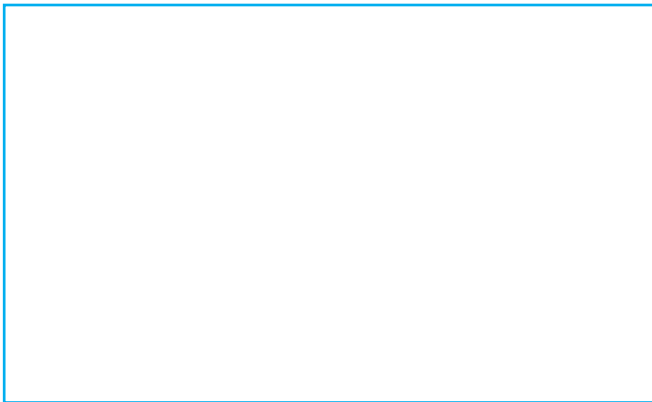


Sundry Parts

Bolts & Nuts

Part No.	Description	Size	Qty
BT1005	Dome Head Tapping Screw	M4 x 12mm	Pkt. 100
BT1004	Hex Tapping Screw with flat washer	M5 x 16mm	Pkt. 100
BT1052	Hex Tapping Screw with flat washer	M5 x 20mm	Pkt. 100
BT1003	Hex Tapping Screw with flat washer	M6 x 20mm	Pkt. 100
BT0108	Set Screw	M5 x 12mm	Pkt. 100
BT1063	Set Screw	M6 x 15mm	Pkt. 100
BT0111	Set Screw - Stainless Steel	M6 x 16mm	Pkt. 100
Part No.	Description	Size	Qty
BT1001	Hex Weld Nut	M6	Pkt. 100
BT1029	Zip Nuts	M6	Pkt. 100
BT1002	Weld Stud	M6 x 16mm	Pkt. 100
BT1083	Weld Stud	M8 x 20mm	Pkt. 100
Part No.	Description	Size	Qty
BT1017	Hex Bolt with captive spring and flat washer	M5 x 16mm	Pkt. 100
BT1006	Hex Bolt with captive spring and flat washer	M6 x 12mm	Pkt. 100
BT1007	Hex Bolt with captive spring and flat washer	M6 x 16mm	Pkt. 100
BT0110	Hex Bolt with captive spring and flat washer - Stainless Steel	M6 x 16mm	Pkt. 100
BT1008	Hex Bolt with captive spring and flat washer	M6 x 20mm	Pkt. 100
BT1009	Hex Bolt with captive spring and flat washer	M6 x 25mm	Pkt. 100
BT1010	Hex Bolt with captive spring and flat washer	M6 x 30mm	Pkt. 100
BT1069	Hex Bolt with captive spring and flat washer	M6 x 45mm	Pkt. 100
BT1046	Hex Bolt with captive spring and flat washer	M8 x 14mm	Pkt. 100
BT1047	Hex Bolt with captive spring and flat washer	M8 x 16mm	Pkt. 100
BT1048	Hex Bolt with captive spring and flat washer	M8 x 20mm	Pkt. 100
BT1072	Hex Bolt without washers	M6 x 45mm	Pkt. 100
BT1056	Flange Bolt	M8 x 35mm	Pkt. 100
BT1085	Flange Bolt	M10 x 130mm	Pkt. 100



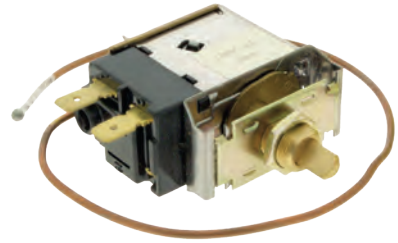




Universal

TS7009
Universal Thermostat

Capillary length:
9" (230mm)
Cut off:
-2° +/- 1.5°



TS7012
Universal Thermostat

Capillary length:
12" (305mm)
Cut off:
0° +/- 2.0°



TS6204
Universal Thermostat

Capillary length:
16" (406mm)



TS7018
Universal Thermostat

Capillary length:
18" (457mm)
Cut off:
-2° +/- 1.5°



TS7024
Universal Thermostat

Capillary length:
24" (610mm)
Cut off:
-2° +/- 1.5°



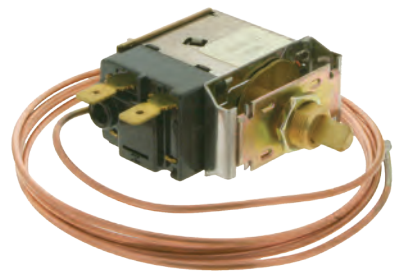
TS7036
Universal Thermostat

Capillary length:
36" (915mm)
Cut off:
-2° +/- 1.5°



TS7048
Universal Thermostat

Capillary length:
48" (1220mm)
Cut off:
-2° +/- 1.5°



TS7060
Universal Thermostat

Capillary length:
60" (1520mm)
Cut off:
-2° +/- 1.5°



TS7072
Universal Thermostat

Capillary length:
72" (1830mm)
Cut off:
-2° +/- 1.5°



TS6012
Universal Thermostat

Capillary length:
12" (305mm)
Cut off:
0° +/- 2.0°



TS6018
Universal Thermostat

Capillary length:
18" (457mm)
Cut off:
-2° +/- 1.5°



SE6006
Retaining Nut
M11 x .75



SE6007
Retaining Nut
7/16 UNF



Direct Replacement

TM3628
Air International Systems
Thermistor



TS2204
AMC Range Rover
Thermostat

Lever action, Insulated case

Capillary length:
44" (1120mm)



TS6005
Cooltemp Systems
Thermo Amp

Dual CET



TM3001
Denso Systems
Thermistor

Bulb length:
330mm



TS7002
Ford Falcon EB, 7/91-8/93
Thermostat

Factory A/C

Capillary length:
18" (457mm)



TS7109
 Ford Falcon XD, XE, 4/81-10/84
 Thermostat

Capillary length:
 12" (305mm)

TS4890
 Ford Festiva WB, 1/94-12/96
 Thermostat

Capillary length:
 320mm

TM6682
 Ford Ranger, 06>
 Thermistor

MAC0106682

Bulb length:
 230mm

TS7007
 Formula Systems
 Thermistor

Bulb length:
 400mm

TS7109
 Holden Commodore VB, VC, VH, 11/78-9/84
 Thermostat

Capillary length:
 12" (305mm)

TS1005
 Isuzu NKR, NPR, 4.3Lt
 Thermistor 24V

582550-5800

Bulb length:
 490mm

TS1006
 Isuzu NKR, NPR, 4.3Lt
 Thermo Amp 24V

3500-67105

TS4028
 Kysor HD1000, KA300
 Thermostat

Capillary length:
 36" (915mm)

TS4075
 Kysor KA200, Kombo, KA-7100, KA-7300
 Hardhat & Slimline Headliners
 Thermostat

Capillary length:
 18" (457mm)

TS4145
 Kysor KA-220, L Kombo, Bunk Evap
 International, Mack, Peterbilt,
 Western Star, Kenworth
 Thermostat

Capillary length:
 15" (380mm)

TS4157
Kysor HP-1000, HA2000
Ford, Sterling
Thermostat

Capillary length:
34" (864mm)



TM6682
Mazda BT50, 06>
Thermistor

MAC0106682

Bulb length:
230mm



TS6110
Mazda 121
Thermostat

Capillary length:
12" (305mm)
Cut off:
0° +/- 1.5°



TS2250
Red Dot 71R2250
Thermostat

Capillary length:
36" (915mm)



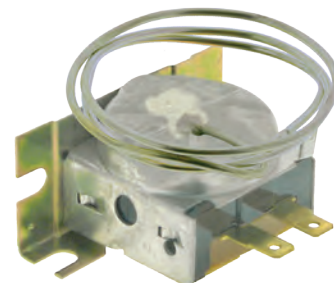
TS3100
Red Dot 71R3100
Thermostat

Capillary length:
24" (610mm)



TS3150
Red Dot 71R3150
Thermostat

Capillary length:
16" (406mm)



TS3200
Red Dot 71R3200
Thermostat

Capillary length:
24" (610mm)



TM8270
Toyota Camry ACV36R, MCV36R, 9/02-6/06
Toyota MR2, 12/99-9/05
Thermistor

Bulb length:
220mm

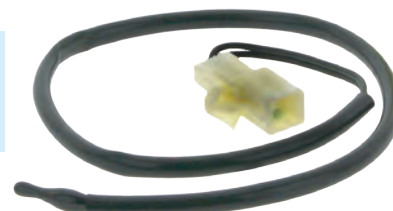


TA1790
Toyota Corolla ZZE122R, 12/01-4/07
Thermo Amp



TM8470
Toyota Corolla ZZE122R, 12/01-4/07
Thermistor

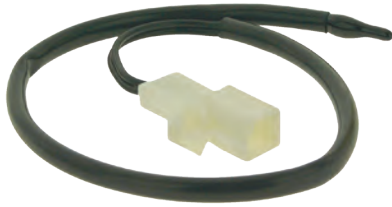
Bulb length:
430mm



TM8370

Toyota Landcruiser 100 Series, 3/98-10/07
Thermistor

Bulb length:
330mm



TA5014

Toyota Landcruiser 80 Series, 5/90-2/98
Thermo Amp

88650-60060



TM8670

Toyota Rav4, 7/03-11/05
Thermistor

Bulb length:
630mm



TA1630

Toyota Rav4, 5/00-10/05
Thermo Amp



DIRECT REPLACEMENT THERMOSTATS

Make & Model	Year	Part No.	Page No.
Alfa Romeo			
145 Boxer Engine		TX2619	847
145TD		TX2619	847
145TS	97>	TX5017	841
146TS	97>	TX5017	841
155	92-93	TX2619	847
156		TX1049	-
164	88	TX8784	826
166	97>	TX5017	841
Alfetta		TX8731	824
Coupe		TX2619	847
GTV		TX1049	-
Spider		TX1049	-
Spider, 2.0Lt 16V		TX2619	847
AMC			
AMC		TX8779	821
AMC		TX8731	824
AMC		TX9041	830
Aston Martin			
Aston Martin		TX8769	826
Audi			
80	92>	TX2619	847
100	Early	TX8771	821
100	82>	TX2619	847
A3	96	TX9943	845
A3		TX5014	844
A3		TX5015	844
A4	94>	TX2619	847
A6	94>	TX2619	847
A8	94>	TX2619	847
Audi		TX8769	826
Fox		TX8771	821
Q7		TX5013	844
TT		TX5015	844
BMW			
All	>73	TX8771	821
All	73-85	TX9015	830
1 Series E81, E82, E87, E88, E90, E91, E92, E93	04>	TX5023	844
3 Series E46	1/98-5/05	TX5009	834
3 Series E36	91>	TX5003	834
3 Series E36	91>	TX9422	835
3 Series E30	85-91	TX8719	831

Make & Model	Year	Part No.	Page No.
3 Series E30	3/80-3/91	TX5006	831
3 Series	83	TX8771	821
5 Series E60, E61	10/03-8/10	TX5022	834
5 Series E39	96-03	TX5002	834
5 Series E34	88-97	TX5001	833
5 Series E34	88-97	TX9422	835
6 Series E63	5/04-3/12	TX5022	834
7 Series E38	94-02	TX5001	833
7 Series E38	94-02	TX9422	835
7 Series E32	94	TX5001	833
7 Series E32	94	TX9422	835
7 Series E23	85>	TX8719	831
7 Series E23	>9/85	TX5000	831
8 Series E31	94>	TX9422	835
8 Series E31	7/90-6/00	TX5001	833
Z3	96-03	TX5001	833
X3, E83	7/04-2/11	TX5009	834
X5, E70	3/07>	TX5024	834
Cabin Comfort			
Series 5		TX8771	821
Case Tractors			
912		TX8778	821
2290		TX4389	821
Maxxum 100	1/07>	TX9492	833
Caterpillar			
Caterpillar		TX8778	821
Caterpillar (block valve)		TX9413	831
Caterpillar		TX6730	826
Caterpillar		TX2750	840
Chrysler			
Jeep Cherokee (block valve)		TX9448	831
Jeep Grand Cherokee		TX6730	826
Neon	6/96>	TX9414	832
PT Cruiser	7/00>	TX9414	832
Valiant		TX8784	826
Voyager	01-04	TX9013	832
Voyager LE, LS	2/97-3/08	TX9011	832
Citroen			
C5	6/01>	TX5020	841
Xantia	93>	TX9943	845
XM	89>	TX9943	845
Xsara	8/98-4/05	TX5020	841

Make & Model	Year	Part No.	Page No.
Xsara	8/98-4/05	TX9009	831
Daewoo			
Cielo 1.5Lt	10/95-4/98	TX2611	847
Espero 2.0Lt	3/95-7/97	TX2611	847
Kalos		TX3323	836
Lanos	98	TX1021	837
Lanos	6/98>	TX1037	831
Leganza		TX1021	837
Leganza		TX1037	831
Matiz	10/99-12/04	TX1020	828
Matiz M100	10/99-12/04	TX1038	824
Nubira		TX1021	837
Nubira		TX1037	831
Racer 1.5Lt	95>	TX2611	847
Daf			
Daf		TX1070	833
Daihatsu			
Applause (R134a)	93-11/99	TX0030	836
Applause A101 (R12)	10/89-9/93	TX1730	839
Applause (R12)	10/89-9/93	TX1006	837
Charade L251S	7/03-12/05	TX1600	838
Charade G200, G202, G203 (R134a)	93-6/00	TX0030	836
Charade G10 (R12)		TX0390	822
Charade G100, G102 (R12)	87-93	TX0710	823
Charade V10, V20, V30 (R12)	87-93	TX1005	823
Charade G11 (R12)	84-85	TX0600	823
Charade G11 (R12)	84-85	TX1003	823
Charade G11 (R12)	82	TX0500	823
Copen L880	10/03-12/05	TX0370	826
Cuore	7/00-9/03	TX0370	826
Delta (R12)	85	TX0600	823
Delta (R12)	85	TX1003	823
Delta V67, V68, V107, V108 (R12)	84	TX0600	823
Delta V67, V68, V107, V108 (R12)	84	TX1003	823
Delta V10, V20, V30 (R12)	80	TX0320	822
Feroza F300, F310 (R134a)	93-1/99	TX0030	836
Feroza F300, F310 (R12)	88-93	TX1730	839
Feroza F300, F310 (R12)	88-93	TX1006	837

Make & Model	Year	Part No.	Page No.
Handivan L701	3/99>	TX0370	826
Handivan L60V (R12)	81	TX0390	822
Hi-Jet S75 (R12)	84	TX0390	822
Mira L200 (R12)	92-95	TX0830	836
Pyzar G301, G303 (R134a)	96-00	TX0030	836
Rocky (R12)	84-93	TX0600	823
Rocky (R12)	84-93	TX1003	823
Sirion 1.0 & 1.3Lt	7/98-12/05	TX0370	826
Terios	7/97-12/05	TX0530	827
YRV, M201	7/01-1/05	TX0370	826
Fiat			
Tempa		TX2619	847
Tipo		TX2619	847
Ford			
Capri SA86, SB86, SC86	9/90>	TX1031	829
Capri SA30, SB30 (R12)	12/88	TX0600	823
Corsair UA	89-92	TX6730	826
Courier (R134a)	3/94>	TX1031	829
Courier	91-93	TX6730	826
Courier (R12)	6/88	TX0450	822
Courier	78-85	TX1004	821
Econovan (R134a)	1/94>	TX1031	829
Econovan	89-93	TX8731	824
Econovan		TX8779	821
Explorer V6 Petrol	02-05	TX9048	832
Falcon FG	5/08>	TX0890	837
Falcon BA, BF	9/02-4/08	TX2619	847
Falcon AU	9/98-9/02	TX2621	847
Falcon EBII-EL	92-98	TX9432	832
Falcon EBII-EL	92-98	TX9431	832
Falcon EA, EB, EBII	92-98	TX9819	833
Falcon EA, EB, EBII	92-98	TX9821	833
Falcon XF, XG	84-96	TX9815	833
Falcon XA-XE	72-84	TX9041	830
Falcon XA, XB (Unicla)	72-76	TX9015	830
Fairlane NC	91-94	TX9819	832
Fairlane NC	91-94	TX9821	833
Festiva WB, WF	>9/94	TX1032	829
Festiva	91>	TX1534a	824
Festiva 1.3Lt	91-93	TX8731	824
Laser KJ, KN, KQ	10/94-8/02	TX1032	829

Make & Model	Year	Part No.	Page No.
Laser KH (R134a)	93-10/94	TX1025	828
Laser KF-KH	90-93	TX1024	828
Laser KC, KE	8/86-90	TX0600	823
Laser KA, KB	82-86	TX0450	822
Laser	81>	TX1003	823
Maverick (fitted with EV3282)	10/94-9/97	TX7631	827
Maverick (fitted with EV3152)	8/87-10/94	TX1025	828
Mondeo HA-HE	6/95-12/00	TX2616	847
Meteor GA-GC	82-87	TX1003	823
Raider	93>	TX1031	829
Ranger	06>	TX1050	837
Telstar AT, AV	90	TX1028	825
Telstar AR, AS	83-87	TX1003	823
Telstar AR, AS	83-87	TX0390	822
Territory SX, SY	5/04-4/11	TX2619	847
Trader	93>	TX6730	826
Trader		TX8731	824
Transit	00	TX2616	847
Ford Truck & Tractor			
Louisville		TX9041	830
New Holland		TX9041	830
Freightliner			
Freightliner		TX9041	830
Freightliner		TX9015	830
Formula			
Formula		TX3015	829
Formula		TX8731	824
Formula		TX1009	824
Hino			
BU36 (R12)		TX0320	822
Dutro		TX1035	837
FC, FD, FF, FM, FS, FT, GD, GT	96>	TX0030	836
FC144 (R12)		TX0390	822
FC3W	94>	TX0400	822
FD3H, FE, FF, FM3M, FT3W, GT3H, Super Eagle	93-96	TX0370	826
FD, FG164, FG166 (R12)		TX0510	827
FD W06E (R12)	91	TX0990	827
FD, FE, FF, GD H07D (R12)	91	TX0990	827
FD171 (R12)	84	TX0390	822

Make & Model	Year	Part No.	Page No.
FD171 (R12)	3/84	TX0390	822
FD3W, FT3W (R12)		TX0990	827
FF172, FF173, FF177 (R12)		TX0510	827
FF172, FF173, FF177 (R12)	82>	TX0390	822
FF192, FF193, FF197 (R12)		TX0510	827
FF192, FF193, FF197 (R12)	82>	TX0390	822
FS270 (R12)		TX0390	822
GH (R12)		TX0390	822
GS221 (R12)		TX0390	822
GT173, GT175 (R12)		TX0510	827
Hino (Denso Type)		TX0231	827
Merlin FC3W (R12)		TX0390	822
SS330 (R12)	90>	TX0510	827
Holden			
Adventra VY, VZ	10/03-1/09	TX9457	833
Apollo JM, JP	3/93-5/97	TX0030	836
Apollo JK, JL	8/89-3/93	TX0710	823
Apollo JK, JL	8/89-3/93	TX1005	823
Astra TS, AH	98-10	TX9356	835
Astra TR, TS	94-05	TX9401	842
Astra LD (Diesel Kiki System)	87-89	TX1534A	824
Astra (Air International system)	86-89	TX6730	826
Astra LB, LC	84-87	TX9041	830
Barina XC	12/01-12/05	TX9401	842
Barina SB (Factory Fitted A/C)	94>	TX9401	842
Barina SB	94>	TX1031	829
Barina MF, MH	89-94	TX0640	823
Barina MB, ML, MF, MH	85-94	TX1003	823
Barina MB, ML	85-88	TX0600	823
Calibra YE	91-97	TX9401	842
Combo XC	9/02>	TX9401	842
Combo SB	96-99	TX1031	829
Commodore VE	8/06>	TX2719	835
Commodore VT, VX, VY, VZ	97-05	TX9457	833
Commodore VU Utility	00>	TX9457	833
Commodore VR, VS	7/93-8/97	TX9422	835
Commodore VN, VP	8/88-6/93	TX2616	847
Commodore VN, VP	8/88-6/93	TX2611	847

Make & Model	Year	Part No.	Page No.	Make & Model	Year	Part No.	Page No.
Commodore VN, VP	8/88-6/93	TX2619	847	Accord	91-93	TX1030	825
Commodore VL	5/86-8/88	TX6730	826	Accord	86-89	TX7631	827
Commodore VK	84-86	TX8769	826	Accord Euro (Denso)		TX1880	839
Commodore VH	81-84	TX9041	830	Accord (R12)	82-88	TX0510	827
Commodore VB, VC	78-81	TX6890	826	Civic	06>	TX9190	-
Commodore VB, VC	78-81	TX2611	847	Civic Hybrid	04-05	TX1600	838
Drover QB	85	TX0600	823	Civic	02-06	TX1600	838
Epica	10/07>	TX1046	837	Civic		TX1040	829
Frontera UT	95-98	TX1031	829	Civic	4/96>	TX0480	828
Jackaroo UBS92, UBS98 (Denso System)	92-98	TX0030	836	Civic	94	TX7731	829
Jackaroo UBS92 (Air International System)	92-98	TX1031	829	Civic	84-87	TX7631	827
Jackaroo	92-94	TX6730	826	CRV	02-06	TX1600	838
Jackaroo	88-92	TX1534A	824	CRV	4/96>	TX0480	828
Jackaroo	82-88	TX8779	821	CRV		TX1040	829
Jackaroo		TX1007	837	Integra	6/93>	TX0480	828
Jackaroo		TX7731	829	Integra	86-88	TX7631	827
Jackaroo (Metric)		TX1022	828	Jazz	10/02-2/06	TX1950	839
Kingswood HJ-HZ (Harrison System)	74-80	TX6890	826	Odyssey (Dual A/C)		TX1790	839
Monaro V2C	12/01	TX9457	833	Odyssey	00-01	TX1008	828
Nova LG	9/94	TX0030	836	Odyssey	95-99	TX0030	836
Nova LF (R134a)	8/91-8/94	TX0080	822	Prelude (Metric)	92-94	TX1022	828
Nova LE, LF (R134a)	7/89-8/94	TX1005	823	Prelude	83-87	TX7631	827
Nova LE, LF (R12)	7/89-8/94	TX0710	823				
Rodeo RA03	03>	TX1136	835	Hyundai			
Rodeo TF93, TF97, TF99	93>	TX1031	829	Accent	6/00-05	TX1044	843
Rodeo	92	TX6730	826	Elantra XD	00-04	TX1137	838
Rodeo TF88, TF93	2/88-8/93	TX1534A	824	Excel	96	TX1021	837
Rodeo KB (Flare)	78-85	TX8779	821	Excel	95	TX1020	828
Statesman WH, WK	6/99-7/04	TX9457	833	Excel X2, X3	>11/94	TX6068	826
Statesman VQ	3/90-2/94	TX2616	847	Excel	87-90	TX6730	826
Statesman HJ-HZ (Harrison System)	74-80	TX6890	826	FX Coupe	97-98	TX1021	837
Tigra XC	10/05-9/07	TX9401	842	Getz	05>	TX1044	843
Vectra JR, JS	97>	TX9215	842	Hyundai (Imperial Thread)		TX6068	826
Vectra	88-93	TX2619	847	i45	5/10>	TX1069	844
Viva JF	9/05-5/99	TX1046	837	Lantra	95-97	TX1021	837
Zafira TT	6/01-5/06	TX9401	842	Lantra	90-95	TX1020	828
				Santa Fe	99-06	TX1045	837
				S Coupe	93-94	TX1020	828
				Tucson	8/04>	TX1138	844
Honda				International			
Accord Wagon	95	TX1007	837	Eagle	06>	TX9415	832
Accord	94	TX7731	829	Fleetstar, Transtar		TX8779	821
Accord CB	2/92>	TX0030	836	Paystar, Transtar		TX8778	821

Make & Model	Year	Part No.	Page No.
Isuzu			
FTR, FSR	94	TX1031	829
FSR, FTR, FVR, FVM, FVZ		TX8731	824
FSR700A Long	2/99>	TX1021	837
FVD950	2/99>	TX1021	837
N Series		TX1021	837
NKR, NPS	96>	TX1032	829
NPR	94	TX1031	829
NPS	96>	TX1031	829
Iveco			
IHA 1850		TX6730	826
Iveco		TX5018	834
Truck		TX9422	835
Jaguar			
Jaguar (Reverse Flow)		TX1040	829
Jaguar		TX9401	842
S Type	99>	TX8785	832
XJ12	73-84	TX8784	826
XJ40		TX8784	826
XJ40	92	TX8769	826
XJ40	92>	TX8719	831
XJ40 (with Jayair EV3159)		TX9815	833
XJ6 Series I		TX8784	826
XJ6 Series III	85-91	TX8719	831
XJS		TX8784	826
Jeep			
Cherokee		TX9448	831
Commander	06-10	TX5824	831
Grand Cherokee ZG	96-99	TX6730	826
Grand Cherokee	05-10	TX5824	831
Grand Cherokee	02>	TX9449	833
Grand Cherokee		TX6730	826
John Deere			
John Deere (O'ring)		TX8782	826
John Deere		TX8320	830
John Deere (Flare)		TX8779	821
John Deere (with block valve)		TX8882	835
Kenworth			
K100		TX6730	826
K100, C500		TX9015	830
Kenworth		TX8300	830

Make & Model	Year	Part No.	Page No.
Kia			
Cerato	06>	TX1138	844
Carnival	06>	TX1138	844
Kia (with block valve)		TX1021	837
Rio		TX1137	838
Sportage	97>	TX1020	828
Komatsu			
B275AX Loader		TX1390	838
D475/5 Dozer		TX1390	838
Komatsu		TX0210	826
Komatsu		TX2700	840
Komatsu		TX0320	822
Komatsu		TX0322	822
PC200		TX1390	838
WA250-3		TX1390	838
Kubota			
Kubota		TX0210	826
M900 Tractor	04>	TX2750	840
Kysor			
Backpack Kombo		TX4255	830
Bunk Evap, Bunk Kombo		TX4255	830
Flare Units		TX8779	821
H.H. Headliner		TX4255	830
HD1000, HD1000 Kombo		TX4264	830
HD2000, HD2000 Kombo		TX4255	830
Headliner		TX4255	830
Jumpseat Kombo		TX4255	830
KA-200		TX4292	825
KA-300		TX4255	830
KA-700		TX4255	830
KK-315 Kombo		TX4255	830
Slimline Evap, Slimline Kombo		TX4255	830
O'ring Units		TX6890	826
Universal Evaporator		TX4255	830
Kysor		TX8771	821
Kysor		TX9015	830
Kysor		TX9413	831
Lancia			
Dedra	91>	TX2619	847

Make & Model	Year	Part No.	Page No.
Lexus			
ES300 MCV30	01	TX1035	837
ES300 MCV20	96	TX0030	836
ES300 VCV10	3/92>	TX0030	836
ES300 VCV10	92-93	TX1730	839
IS200, IS250	10/08>	TX3105	841
IS200	99	TX1035	837
Lexus		TX9061	829
LS400 UCF20	94>	TX0920	828
LS400	94-00	TX1750	-
LS400	93-94	TX0570	828
LS430	00>	TX0880	823
LS430	00>	TX0090	843
LX570 URJ201R	4/08>	TX1012	837
LX470 (front evaporator)	98	TX1035	837
LX470 UZJ100R (front evaporator)	5/98-3/08	TX1012	837
LX470	98	TX0020	843
RX330	03-06	TX2180	-
RX350	2/06>	TX3050	840
RX450H GLY15R	6/09>	TX3120	841
Mack			
Truck (with Kysor rooftops)		TX9015	830
Truck (with Red Dot rooftops)		TX9413	831
Mack		TX8300	830
Mack		TX8320	830
Massey Ferguson			
Massey Ferguson		TX0420	836
Mazda			
121	>9/94	TX1032	829
121		TX1011	825
121 (R134a)		TX1534A	824
121 (R12)		TX0450	822
323	98	TX1031	829
323 BA	96>	TX1011	825
323 Astina, Protégé	94>	TX1032	829
323 Astina (R134a)	93-94	TX1024	828
323	93>	TX1025	828
323 BF	86-87	TX0600	823
323 BF	86-87	TX1003	823
323 DB-DF	82-90	TX1003	823
323 (R12)	81	TX0450	822

Make & Model	Year	Part No.	Page No.
323	70-81	TX8779	821
323 P/Van, Station Wagon (R12)		TX0320	822
626 GD	87>	TX1028	825
626 GC	83-86	TX1003	823
626 (Imperial Thread)	82	TX6068	826
626		TX1030	825
626 FWD		TX0390	822
929 (R12)	82	TX0470	825
B Series	97	TX1031	829
B Series 2600	95>	TX0080	822
B Series (R12)	88	TX0450	822
B2200 Petrol	82-85	TX8779	821
B2200 Diesel	80-84	TX1027	824
BT50	06-09	TX1050	837
CX-7		TX1066	838
E Series (R134a)	92>	TX1031	829
E Series (R12)	91-92	TX1534A	824
E1800	84-85	TX8779	821
E2200	80-84	TX8779	821
Mazda		TX7631	827
Mazda 2		TX1066	838
Mazda 3		TX1066	838
Mazda 6		TX1066	838
MPV LV10E2	95-99	TX0080	822
MPV LV10E1	93-96	TX0080	822
MX-5	94>	TX1003	823
MX-5 (R12)	>93	TX0640	823
RX7 (R12)	86-89	TX1003	823
RX7 (R12)	78-86	TX0600	823
RX7	83-85	TX6068	826
RX7 Series III (R12)	78-91	TX0600	823
RX7 Series III (R12)	78-91	TX1003	823
RX7 (R134a)		TX7631	827
T3500	89	TX8779	821
T-Series WH, E Series C/Cab (OE)		TX1534A	824
Tribute	12/00>	TX2619	847
Mercedes Benz			
A Class W168, A140, A160, A190, A210, A168	00>	TX5102	843
Bus		TX0440	828
C Class 180		TX9603	843

Make & Model	Year	Part No.	Page No.
C Class 220		TX9603	843
C Class W203	01>	TX7497	834
C Class W203	00>	TX6715	834
M Class W163	98-05	TX1091	838
S Class W220	01>	TX7497	834
S Class	00>	TX6715	834
Sprinter		TX9131	832
Sprinter		TX9015	830
Truck		TX1070	833
Vito	9/03>	TX6715	834
Vito		TX9015	830
Vito		TX9131	832
Vito		TX9603	843
W220 S Class	00>	TX6715	834
W210 E Class		TX9603	843
W202 C Class		TX9603	843
W201		TX9421	835
W201, W124, W140	98-03	TX5007	834
W201		TX9602	833
W140 190	92>	TX9421	835
W140 (Except 190)	91>	TX9421	835
W126		TX5006	831
W126		TX8719	831
W124 300E	89>	TX9421	835
W123		TX8719	831
W123	80>	TX5006	831
W123		TX9015	830
W116 280, 350, 450		TX8778	821
W115		TX8778	821
W107 380SL, 450SLC		TX8778	821
Mitsubishi			
Colt RB-RE	82-90	TX8778	821
Colt RA-RD	81-88	TX8779	821
Cordia	82-89	TX8779	821
Galant HG-HH	88-92	TX6730	826
Grandis	04>	TX2230	839
L200 ME (305mm Cap Tube)		TX8779	821
L200 ME (180mm Cap Tube)		TX1004	821
L300 SH, SJ	6/94>	TX0470	825
L300 SH, SJ	94>	TX1031	829
L300 SF, SG, SH	8/86-6/94	TX8731	824

Make & Model	Year	Part No.	Page No.
L300 SF (R12)	91-93	TX1534A	824
L300 ME (180mm cap tube)	80-85	TX1004	821
L300 ME (305mm cap tube)	80-85	TX8779	821
L400 WA	94>	TX1031	829
L400 WA Starwagon	94>	TX1031	829
Lancer CJ	07-12	TX1142	838
Lancer CE	8/01-9/04	TX1140	835
Lancer CE	5/96-7/01	TX1023	828
Lancer CC	9/92-7/96	TX1041	-
Lancer CC	92-96	TX1023	828
Lancer CC	92-96	TX0480	828
Lancer CB	90-92	TX1023	828
Lancer CA-CC (R12)	88-96	TX7731	829
Lancer CA, CB, GSR	88-92	TX6730	826
Magna TL, TW	6/03-9/05	TX9457	833
Magna TE, TF, TH, TJ	2/96-4/04	TX1023	828
Magna TS	94-96	TX0080	822
Magna TS	94-96	TX1005	823
Magna TR	91-94	TX0710	823
Magna TR	91-94	TX1005	823
Magna TP	89-92	TX0660	823
Magna TM, TN (R12)	85-89	TX0600	823
Magna TM, TN (R12)	85-89	TX1003	823
Mirage CE 1.5Lt	8/01-8/04	TX1140	835
Mirage CE	5/96-7/01	TX1023	828
Mirage CE	96-01	TX1022	828
Nimbus UF (R134a)	91-98	TX1031	829
Outlander	03>	TX1142	838
Pajero NM, NP (front)	99-04	TX1800	839
Pajero NM, NP (rear)	99-04	TX0070	843
Pajero NJ, NK, NL	8/93>	TX0030	836
Pajero NH	2/91-8/93	TX0470	825
Pajero NF - NH (R12)	91-94	TX6730	826
Pajero NF, NH	91-93	TX7731	829
Pajero ND, NF, NG	10/86-5/91	TX8731	824
Pajero IO	99-01	TX0030	836
Sigma GN	85-87	TX1005	823
Sigma GJ-GK	82-85	TX1004	821
Sigma GE-GH	77-82	TX8779	821
Triton ML	05>	TX1141	838
Triton MK (block type)	96>	TX1139	835

Make & Model	Year	Part No.	Page No.
Triton MK (Air International System)	96	TX1023	828
Triton MJ (externally equalized)	94-95	TX1031	829
Triton MJ	6/94-5/95	TX9921	826
Triton MH, MJ (305mm cap tube)	90-95	TX8779	821
Triton MH, MJ (180mm cap tube)	90-95	TX1004	821
Verada KL, KW	6/03-9/05	TX9457	833
Verada KE, KF, KH, KJ	2/96-7/03	TX1023	828
Verada KS	94-96	TX0080	822
Verada KR	91-94	TX0710	823
Nissan			
200B	77-81	TX8778	821
200SX	94-03	TX1011	825
Bluebird U13	93-95	TX1011	825
Bluebird 910 Series III	5/83>	TX9131	832
Bluebird 910 Series I & II		TX9041	830
Gazelle S12 (imported A/C)		TX9131	832
Gazelle S12 (local A/C)		TX9041	830
Maxima J31		TX1136	835
Maxima A32	94-99	TX0032	836
Maxima		TX7733	829
Micra	96	TX1031	829
Navara	05>	TX5062	841
Navara D22A	99>	TX1036	827
Navara D22	97>	TX1036	827
Navara D21	85-94	TX1031	829
Pathfinder WD21	86-94	TX1031	829
Patrol TY61	99	TX7632	836
Patrol GU	97-03	TX0032	836
Patrol Y61 (front evaporator)	97	TX7632	836
Patrol Y60 (with Jayair EV3152)	97	TX1025	828
Patrol Y60	97	TX1031	829
Patrol Y60 GQ	8/87-9/97	TX6730	826
Patrol Y60 (front evaporator)	94	TX1011	825
Patrol Y60 GQ (with Jayair EV3282)		TX7631	827
Patrol	84-88	TX9041	830
Patrol	>84	TX8779	821
Pintara	89	TX7733	829
Pintara R31	88	TX1534A	824

Make & Model	Year	Part No.	Page No.
Pintara RWD	86-90	TX9131	832
Prairie M10 E15	83	TX9041	830
Pulsar N16	00-06	TX1042	835
Pulsar N15 2.0Lt (metric thread)	95-00	TX1011	825
Pulsar N15 GA16DE	95-00	TX1036	827
Pulsar N15 SR20DE	95-96	TX1011	825
Pulsar N14 (reverse flow)	91-95	TX1020	828
Pulsar N14 (metric thread)	91-95	TX1011	825
Pulsar N14	91-95	TX1011	825
Pulsar N14	91-95	TX1534A	824
Pulsar N13 E15	86-91	TX1534A	824
Pulsar N12	84-87	TX9041	830
Pulsar N10	81-83	TX8779	821
Skyline	86-98	TX9131	832
Skyline	89	TX7733	829
Skyline R31	88	TX1534A	824
Skyline R30 L24E	83-87	TX9041	830
X-Trail		TX1042	835
Peugeot			
206	6/00>	TX5011	841
306	93>	TX9422	835
306		TX5011	841
405	89>	TX9602	833
406	89>	TX5011	841
505		TX9009	831
Porsche			
Cayenne		TX5013	844
911, 928		TX5010	834
911, 912, 914, 924		TX8779	821
928 S4		TX9815	833
Porsche		TX9015	830
Porsche		TX9015	830
Porsche		TX8779	821
Red Dot			
71R8210		TX8210	821
71R8301		TX8300	830
71R8310		TX8310	830
71R8320		TX8320	830
71R8380		TX8380	830
71R8400		TX8400	830
71R8320		TX9413	831

Make & Model	Year	Part No.	Page No.
Red Dot		TX8771	821
Red Dot		TX9015	830
Renault			
18	81-84	TX9041	830
19	94	TX5003	834
19		TX9422	835
21		TX9009	831
Clio	01-05	TX6400	843
Fuego	81-87	TX9041	830
Kangoo	97-03	TX6400	843
Megane	97	TX5020	841
Megane		TX9942	842
Safrane		TX9943	845
Scenic	99-03	TX5020	841
Rolls Royce			
Corniche Type 3 A/C (climate control)	80	TX6890	826
Rover			
Landrover Defender (AMC system)		TX8731	824
Range Rover	89	TX8731	824
Rover		TX0390	822
Rover		TX4390	827
SD1 (with Keihin comp)	78	TX0390	822
Seat			
Cordoba		TX9943	845
Ibiza		TX9943	845
Seat		TX6339	844
Saab			
9-5		TX9943	845
900 (R134a)		TX9942	842
900		TX9401	842
900		TX6730	826
9000		TX9401	842
9000 (R134a)		TX9942	842
Scania			
Scania (block valve)		TX9433	832
Scania		TX9421	835
Skoda			
Octavia		TX5015	844
Roomster	7/01-3/10	TX5015	844
Skoda		TX6339	844
Subaru			
Forester	06-07	TX7633	842

Make & Model	Year	Part No.	Page No.
Forester		TX1027	824
Impreza WRX	02-06	TX0032	836
Impreza	01>	TX7632	836
Legacy	90-92	TX0030	836
Liberty	04>	TX2400	840
Liberty RX	01>	TX7632	836
Liberty (R134a)	98	TX1700	839
Liberty (R134a)	94-97	TX0030	836
Outback	08>	TX3180	841
WRX		TX1027	824
WRX	00>	TX7632	836
Suzuki			
Alto 500cc (R12)	87	TX0640	823
Alto 500cc (R12)	87	TX1003	823
Baleno	95-04	TX0080	822
Hatch (R12)	81	TX0320	822
Sierra 1.3Lt	1/85>	TX0650	823
Sierra (R12)	84-94	TX0600	823
Sierra (R12)	84-94	TX1003	823
Suzuki (R12)	82	TX0320	822
Suzuki		TX0390	822
Swift EZ	2/05>	TX2370	840
Swift (R12)	84-94	TX0640	823
Swift (R12)	84-94	TX1003	823
Vitara (R134a)	95	TX0080	822
Vitara (R12)	88>	TX0710	823
Vitara (R12)		TX1005	823
Vitara		TX1280	
X90 (R134a)		TX0080	822
Toyota			
4 Runner LN130, RN130, VZN130 (R134a)	93-96	TX0030	836
4 Runner LN130, RN130, VZN130 (R12)	90-93	TX1730	839
4 Runner LN130, RN130, VZN130 (R12)	90-93	TX1006	837
4 Runner YN130 (R12)	90-93	TX1730	839
4 Runner YN130 (R12)	90-93	TX1006	837
4 Runner LN61 (R12)	86-89	TX0600	823
4 Runner LN61 (R12)	86-89	TX1003	823
4 Runner YN63	87>	TX0710	823
4 Runner YN63 EFI (R12)	85-89	TX0640	823
4 Runner YN63 EFI (R12)	85-89	TX1003	823

Make & Model	Year	Part No.	Page No.	Make & Model	Year	Part No.	Page No.
4 Runner YN60, YN63 (R12)	84-88	TX0600	823	Corolla AE112R (R134a)	98>	TX0030	836
4 Runner YN60, YN63 (R12)	84-88	TX1003	823	Corolla AE101 (R134a)	95-99	TX0030	836
Aurion GSV40R	10/06-3/12	TX0220	836	Corolla AE102 Sprinter (R134a)	94-95	TX0030	836
Avalon MCX10R	7/00-3/06	TX0030	836	Corolla AE92, AE94, AE96 (R134a)	93-94	TX0080	822
Avensis Verso ACM20R, ACM21R	12/01-11/10	TX2000	839	Corolla AE90, AE92, AE93, AE94, AE95 (R12)	93	TX0710	823
Avensis Verso ACM20R, ACM21R (rear evaporator)	12/01-11/10	TX2060	839	Corolla AE90, AE92, AE93, AE94, AE95 (R12)	93	TX1005	823
Avensis Verso ACM20R	5/01-10/03	TX1035	837	Corolla AE95 (R134a)	91-93	TX0080	822
Camry ACV40R, AHV40R	7/06-2/12	TX0220	836	Corolla AE86 Sprinter (R12)	83-87	TX0600	823
Camry ACV36R, MCV36R	9/02-6/06	TX1035	837	Corolla AE86 Sprinter (R12)	83-87	TX1003	823
Camry ACV36R, MCV36R	9/02-6/06	TX2700	840	Corolla AE71, AE80, AE82 (R12)	83-85	TX0640	823
Camry SXV20R (R134a)	97-02	TX0030	836	Corolla AE71, AE80, AE82 (R12)	83-85	TX1003	823
Camry SDV10, SXV10, VCV10, VDV10 (R134a)	92-97	TX0030	836	Corolla KE70, TE72, T18 (R12)	81-85	TX0390	822
Camry VZV21 (R12)	91	TX0710	823	Corona RT141, RT142 (R12)	83-87	TX1003	823
Camry VZV21 (R12)	91	TX1005	823	Corona RT141, RT142 (R12)	83-87	TX0600	823
Camry SV22, MCV20 (R134a)	88-91	TX0030	836	Corona RT141 (R12)	>83	TX0390	822
Camry SV20, SV12, SV22 (R12)	86-91	TX0710	823	Corona XT130	79-83	TX0510	827
Camry SV20, SV12, SV22 (R12)	86-91	TX1005	823	Cressida MX83	88-93	TX0860	848
Camry SV11 (R12)	82-87	TX0510	827	Cressida MX83	88-93	TX1008	828
Celica ZZT231R	99-05	TX1035	837	Cressida MX62, MX73 (R12)	80>	TX0480	828
Celica ST204	3/94-11/99	TX0030	836	Crown MS123 (R12)	83-85	TX0480	828
Celica ST184, ST185 (R12)	90-93	TX1730	839	Crown MS112 (R12, front evaporator)	79-83	TX0480	828
Celica ST184, ST185 (R12)	90-93	TX1006	837	Dyna 5L		TX1035	837
Celica ST162 (R12)	87>	TX0710	823	Dyna BU142 (R134a)	99>	TX0030	836
Celica ST162 (R12)	87>	TX1005	823	Dyna LY211 (R134a)	99>	TX0030	836
Celica ST162 (R12)	85-87	TX0640	823	Dyna WU90 (R12)	97	TX1003	823
Celica ST162 (R12)	85-87	TX1003	823	Dyna 150 LY211 (R134a)	95-99	TX0030	836
Celica RA60, RA65, SA63 (R12)	83>	TX0600	823	Dyna 100 YY100 (R134a)	95>	TX0030	836
Celica RA60, RA65, SA63 (R12)	83>	TX1003	823	Dyna 100 LH80 (R12)	91-92	TX0600	823
Celica RA60	83	TX0390	822	Dyna 100 LH80 (R12)	91-92	TX1003	823
Coaster Bus		TX0150	827	Dyna 100 YH81 (R12)	91-92	TX0600	823
Corolla ZRE152	5/07>	TX3070	841	Dyna 100 YH81 (R12)	91-92	TX1003	823
Corolla ZZE122R	00-07	TX2700	840	Dyna BU60, BU61, BU65, BU66 (R12)	88-94	TX0640	823
Corolla ZZE122R	5/01>	TX2000	839				
Corolla ZZE122R	01>	TX1035	837				

Make & Model	Year	Part No.	Page No.	Make & Model	Year	Part No.	Page No.
Dyna BU60, BU61, BU65, BU66 (R12)	88-94	TX1003	823	Hiace YH71, YH73 (R12)	86>	TX0640	823
Dyna 150 LY60 (R12)	88-92	TX0640	823	Hiace YH51, YH53, YH61, YH63 (R12)	86>	TX0400	822
Dyna 150 LY60 (R12)	88-92	TX1003	823	Hiace YH51, YH53, YH61, YH63 (R12)	>86	TX0600	823
Dyna BU85, BU88, BU91 (R12)	84-90	TX0600	823	Hiace YH51, YH53, YH61, YH63 (R12)	83-89	TX1003	823
Dyna BU85, BU88, BU91 (R12)	84-90	TX1003	823	Hiace YH71, YH73 (R12)	83-88	TX1003	823
Dyna 150 LY61R	8/88>	TX0180	822	Hiace YH71, 85	83-88	TX9921	826
Dyna 200 BU60R, BU65R	8/88>	TX0180	822	Hiace LH50 (R12)	83-87	TX0390	822
Dyna 100 YH81R	8/87>	TX0180	822	Hiace		TX0180	822
Dyna YU62 (R12)	88	TX0640	823	Hilux KUN16R, KUN26R, GGN15R, GGN25R, TGN16R	3/05>	TX2370	840
Dyna YU62 (R12)	88	TX1003	823	Hilux KUN16R, KUN26R, GGN15R, GGN25R, TGN16R	3/05>	TX9220	842
Dyna WU90 (R12)	87	TX0600	823	Hilux VZN167R 5VZ-FE	02-05	TX0370	826
Dyna BU20 (R12)	80-84	TX0320	822	Hilux KZN165, LN167, LN172	99-05	TX1360	824
Echo NCP12R	10/99-10/05	TX1600	838	Hilux RZN147, RZN149, RZN154, RZN174, RZN169	97-99	TX1360	824
Echo NCP10R, NCP12R, NCP13R	10/99-10/05	TX2390	840	Hilux YN85 (R134a)	94-97	TX0080	822
FJ Cruiser GSJ15R	3/11>	TX2520	840	Hilux YN85 (R12)	94	TX0710	823
Hiace KDH201R LPG	06>	TX3070	841	Hilux YN85 (R12)	94	TX1005	823
Hiace KDH200R, KDH222R, KDH223R	05>	TX3070	841	Hilux LN 4x2, 4x4, (R134a)	93-97	TX0080	822
Hiace TRH201R, TRH221R, TRH223R	05>	TX3070	841	Hilux RN (R134a)	93-97	TX0080	822
Hiace Commuter (rear evaporator)	00>	TX0035	843	Hilux LN (R12)	91-93	TX0710	823
Hiace LH162, LH172	98-05	TX0030	836	Hilux LN (R12)	91-93	TX1005	823
Hiace SBV RCH12R, RCH22R	9/95-2/05	TX1007	837	Hilux RN (R12)	91-93	TX0710	823
Hiace Commuter LH125, LH184	89-01	TX0030	836	Hilux RN (R12)	91-93	TX1005	823
Hiace LH103, LH113, LH125 (R134a)	12/92>	TX0030	836	Hilux RN (R12)	91-93	TX1005	823
Hiace RZH103, RZH113, RZH125 (R134a)	93>	TX0030	836	Hilux YN (R12)	91	TX1360	824
Hiace LH103, LH113, LH125 (R12)	93	TX0830	836	Hilux YN (R12)	91	TX1005	823
Hiace RZH103, RZH113, RZH125 (R12, front evaporator)	93	TX0830	836	Hilux LN106, LN111 (R12)	90-91	TX0710	823
Hiace LH103, LH113	11/89>	TX1730	839	Hilux LN106, LN111 (R12)	90-91	TX1005	823
Hiace RZH103, RZH113	11/89>	TX1730	839	Hilux LN85 (R12)	90-91	TX0710	823
Hiace LH51, LH61, LH70, LH71 (R12)	86-89	TX0600	823	Hilux LN85 (R12)	90-91	TX1005	823
Hiace LH51, LH61, LH70, LH71 (R12)	86-89	TX0640	823	Hilux RN85, RN90, RN105, RN106, RN110 (R12)	88-95	TX0710	823
Hiace LH51, LH61, LH70, LH71 (R12)	84-89	TX1003	823	Hilux RN85, RN90, RN105, RN106, RN110 (R12)	88-95	TX1005	823
Hiace YH71, YH73 (R12)	86	TX0600	823	Hilux YN55, YN57, YN65, YN67 (R12)	83-88	TX0600	823
				Hilux YN55, YN57, YN65, YN67 (R12)	83-88	TX1003	823

Make & Model	Year	Part No.	Page No.	Make & Model	Year	Part No.	Page No.
Hilux LN55, LN56, LN57, LN65 (R12)	83-88	TX0600	823	Landcruiser FJ80 (R12)	90-92	TX1730	839
Hilux	81-86	TX7531	827	Landcruiser FJ80 (R12)	90-92	TX1006	837
Kluger GSU40R, GSU45R	8/07>	TX0220	836	Landcruiser FJ70, FJ73, FJ75 (R12)	85-92	TX0650	823
Kluger MCU28	11/03-7/07	TX2000	839	Landcruiser LJ70 (R12)	86-91	TX0650	823
Landcruiser UZJ200R, VDJ200R	11/07	TX0691	836	Landcruiser RJ70 (R12)	85-91	TX0650	823
Landcruiser HZJ79R, VDJ79R	05	TX2370	840	Landcruiser HJ75 (R12)	85-90	TX0650	823
Landcruiser HDJ100R, UZJ100R Front TXV (with dual A/C)	98-07	TX2520	840	Landcruiser BJ70 (R12)	84-90	TX0650	823
Landcruiser 100 Series (with cooling box)		TX1380	824	Landcruiser FJ62 (R12)	84-90	TX0650	823
Landcruiser HZJ100R, UZJ100R	98-07	TX0020	843	Landcruiser HJ60, HJ61 (R12)	80-90	TX0650	823
Landcruiser HDJ100 1HD-FTE	98-07	TX1012	837	Landcruiser FJ60		TX1003	823
Landcruiser HDJ100	98-07	TX1311	838	Landcruiser FJ60		TX0320	822
Landcruiser UZJ100R 2UZ-FE	98-07	TX1012	837	Landcruiser HJ60		TX1003	823
Landcruiser FZJ78, FZJ79		TX0080	822	Landcruiser HJ60		TX0320	822
Landcruiser HDJ78, HDJ79, HZJ75		TX0080	822	Landcruiser	81-86	TX7531	827
Landcruiser HZJ78, HZJ79	99-01	TX0400	822	Landcruiser FJ60 (R12)	80-84	TX0390	822
Landcruiser HZJ105, 1HZ (R134a)	98>	TX1012	837	Landcruiser Prado		TX1380	824
Landcruiser FZJ105, 1FZ-FE (R134a)	98>	TX1012	837	Landcruiser Prado GRJ150R, KDJ150R (with cooling box)	11/09>	TX3030	840
Landcruiser FZJ80 (R134a)	93-97	TX0030	836	Landcruiser Prado GRJ150R, KDJ150R (with cooling box)	11/09>	TX9240	842
Landcruiser HDJ80 (R134a)	5/93-12/97	TX0030	836	Landcruiser Prado GRJ120R, KDJ120R, KZJ120R, RZJ120R	9/02-10/09	TX2940	840
Landcruiser HZJ80 (R134a)	93-97	TX0030	836	Landcruiser Prado KZJ95R, RZJ95R, VZJ95R (R134a)	96>	TX0030	836
Landcruiser HZJ75 (R12)	90-99	TX0650	823	Landcruiser Prado KZJ95R, RZJ95R, VZJ95R (rear evaporator)	96-03	TX0020	843
Landcruiser FZJ80 (R12)	92-93	TX0830	836	Landcruiser Prado KZJ95 (R134a)	5/96-2/03	TX1007	837
Landcruiser FZJ75 (R12)	92-93	TX0650	823	Liteace KM36 Van (R12)	85-92	TX0650	823
Landcruiser HDJ80 (R12)	1/90-4/93	TX1730	839	Liteace YM35 (rear evaporator, R12)	85-92	TX0660	823
Landcruiser HDJ80 (R12)	1/90-4/93	TX1006	837	Liteace YM30, YM35, YM36, YM40 (R12)	85-92	TX0650	823
Landcruiser HZJ80 (R12)	90-93	TX1730	839	Liteace CM35, CM36 (R12)	83-90	TX0650	823
Landcruiser HZJ80 (R12)	90-93	TX1006	837	Liteace YM21 (R12)	83-86	TX0600	823
Landcruiser PZJ70, PZJ73 (R12)	90-93	TX0650	823	Liteace YM21 (R12)	83-86	TX1003	823
Landcruiser HZJ70, HZJ73 (R12)	91-92	TX0650	823	Liteace LY30 (R12)	82-83	TX0320	822
				Liteace		TX0180	822
				Lexcen	89-93	TX2616	847
				Lexcen	89-93	TX2611	847
				MR2 ZZW30R	02-04	TX1640	838
				MR2 SW20 (R134a)	93>	TX0030	836

Make & Model	Year	Part No.	Page No.
MR2 SW20 (R12)	91-8/93	TX1730	839
MR2 SW20 (R12)	91-8/93	TX1006	837
MR2 AW11 (R12)	84-89	TX0640	823
MR2 AW11 (R12)	84-89	TX1003	823
Paseo EL54 (R134a)	12/95-12/99	TX0030	836
Paseo EL44 (R12)	93-95	TX0030	836
Paseo EL44 (R12)	91-93	TX1730	839
Paseo EL44 (R12)	91-93	TX1003	823
Prius ZVW30R	4/09>	TX1000	837
Prius NHW20R	11/03-6/09	TX1940	839
Prius NHW11R, NHW20R	10/01-6/09	TX3050	840
Rav4 ACA33R 2.4Lt	2/06>	TX3070	841
Rav4 ACA22R, ACA23R	10/03>	TX2450	840
Rav4 ACA20, ACA21 (rear evaporator)	00-03	TX1760	824
Rav4 ACA20, ACA21	00-03	TX1790	839
Rav4 SXA (R134a)	94-00	TX0030	836
Rukus AZE151R (with auto A/C)	5/10>	TX0520	836
Soarer		TX1480	848
Soarer	91>	TX1730	839
Starlet EP91R (R134a)	1/96-10/99	TX0030	836
Supra MA70 (R12)	86-92	TX0510	827
Supra MA61 (R12)	83-87	TX0470	825
Tarago ACR50R	3/06>	TX2370	840
Tarago ACR50R, GSR50R	3/06>	TX0220	836
Tarago ACR30	6/00-2/06	TX1035	837
Tarago TCR (R134a)	93-96	TX0030	836
Tarago TCR (rear evaporator, R12)		TX0830	836
Tarago TCR10, TCR11 (R12)	91-93	TX1730	839
Tarago TCR10, TCR11 (R12)	91-93	TX1006	837
Tarago YR21, YR22, YR31 (R12)	84-96	TX0650	823
Tarago YR21, YR22, YR31 (rear evaporator, R12)	84-96	TX0610	823
Tarago YR20, YR21 (R12)	82-91	TX0600	823
Tarago YR20, YR21 (R12)	82-91	TX1003	823
Tarago YR20 (rear evaporator, R12)	82-91	TX0610	823
Tarago CR21 (R12)	83-88	TX0600	823
Tarago CR21 (R12)	83-88	TX1003	823

Make & Model	Year	Part No.	Page No.
Tarago CR21 DX (R12)	83-88	TX0650	823
Tarago CR21 (rear evaporator, R12)	83-88	TX0610	823
Tercel AL25 (R12)	83-88	TX0640	823
Tercel AL25 (R12)	83-88	TX0600	823
Tercel AL25 (R12)	83-88	TX1003	823
Tercel		TX7531	827
Toyo-Ace LY31 (R12)	83-85	TX0320	822
Yaris NCP130R, NCP131R	11/11>	TX3700	841
Yaris NCP90R, NCP91R	06-09	TX3070	841
Volkswagen			
Beetle	99>	TX5016	845
Bora	99>	TX5016	845
Caddy	04-06	TX5015	844
Caravelle	93-96	TX5011	841
Caravelle (rear evaporator)	03>	TX5026	844
Golf V		TX5015	844
Golf IV	99>	TX5016	845
Golf II Series	84-97	TX5000	831
Golf		TX9943	845
Jetta	09-11	TX5015	844
Jetta	87-92	TX5000	831
Passat	97>	TX2619	847
Passat (R134a)		TX9943	845
Passat	89-92	TX5000	831
Passat		TX5015	844
Polo	02>	TX6339	844
Polo	>02	TX9943	845
Polo	99>	TX5016	845
Touareg		TX5013	844
Transporter T5	03>	TX6339	844
Transporter T5 Rear	03>	TX5026	844
Transporter T4, 2.5Lt	00	TX0030	836
Transporter T4, 2.0Lt, 2.5Lt	99	TX0030	836
Transporter T4, 2.4Lt	97	TX0030	836
Transporter		TX5011	841
Vento	94>	TX9943	845
Volvo			
240 Series	81-93	TX6730	826
740	85-92	TX2611	847
740	85-92	TX2616	847

Make & Model	Year	Part No.	Page No.
740	85-92	TX2619	847
S60		TX5021	841
S80		TX5021	841
V70		TX5021	841
XC90		TX5021	841

Internally Equalised - Flare

TX0230

Inlet: # 6 MF
Outlet: # 8 MF
Ton: 1
Cap Length: 230mm



TX1001

Inlet: # 6 MF
Outlet: # 8 MF
Ton: 1
Cap Length: 170mm
Superheat: 3°C



TX1004

Inlet: # 6 MF
Outlet: # 8 MF
Ton: 1.5
Cap Length: 180mm
Superheat: 3.9°C



TX8210

Inlet: # 6 MF
Outlet: # 8 MF
Ton: 1.5
Cap Length: 230mm



TX8779

Inlet: # 6 MF
Outlet: # 8 MF
Ton: 1.5
Cap Length: 305mm
Superheat: 4.4°C



Externally Equalised - Flare

TX4389

Inlet: # 6 MF
Outlet: # 8 MF
Cap Length: 300mm
Ext. Eq. Length: 400mm
Ext. Eq. Connect: 1/4" FF



TX8771

Inlet: # 6 MF
Outlet: # 8 MF
Ton: 1.5
Cap Length: 483mm
Ext. Eq. Length: 419mm
Ext. Eq. Connect: 1/4" FF
Superheat: 4.4°C



TX8778

Inlet: # 6 MF
Outlet: # 8 MF
Ton: 2
Cap Length: 305mm
Ext. Eq. Length: 416mm
Ext. Eq. Connect: 1/4" FF
Superheat: 4.4°C



Internally Equalised - Flare - Reverse Flow

TX0270

Inlet: # 6 MF
Outlet: # 8 MF
Ton: 2
Cap Length: 320mm



Internally Equalised - O'ring

TX0080

Inlet: M16 x 1.5 MCOR
Outlet: M22 x 1.5 MCOR
Ton: 1.5
Cap Length: 250mm



TX0180

Inlet: M16 x 1.5 MCOR
Outlet: M22 x 1.5 MCOR
Ton: 1
Cap Length: 230mm



TX0320

Inlet: # 5 MIOR
Outlet: # 8 MIOR
Ton: 1
Cap Length: 230mm
Superheat: 3.9°C



TX0322

Inlet: M16 x 1.5 MCOR
Outlet: M22 x 1.5 MCOR
Cap Length: 330mm



TX0390

Inlet: # 5 MIOR
Outlet: # 8 MIOR
Ton: 1
Cap Length: 230mm
Superheat: 3.9°C



TX0400

Inlet: M16 x 1.5 MCOR
Outlet: M22 x 1.5 MCOR
Ton: 1.5
Cap Length: 180mm



TX0450

Inlet: # 5 MIOR
Outlet: # 8 MIOR
Ton: 1
Cap Length: 230mm
Superheat: 3.9°C



TX0500

Inlet: # 6 MIOR
Outlet: # 8 MIOR
Ton: 1
Cap Length: 230mm

**TX0600**

Inlet: # 5 MIOR
Outlet: # 8 MIOR
Ton: 1
Cap Length: 230mm

**TX0610**

Inlet: # 5 MIOR
Outlet: # 8 MIOR
Ton: 1
Cap Length: 300mm

**TX0640**

Inlet: # 5 MIOR
Outlet: # 8 MIOR
Ton: 1
Cap Length: 230mm

**TX0650**

Inlet: # 5 MIOR
Outlet: # 8 MIOR
Ton: 1
Cap Length: 230mm

**TX0660**

Inlet: # 5 MIOR
Outlet: # 8 MIOR
Ton: 1
Cap Length: 230mm

**TX0710**

Inlet: # 5 MIOR
Outlet: # 8 MIOR
Ton: 1.5
Cap Length: 230mm

**TX0880**

Inlet: M16 x 1.5 MCOR
Outlet: M22 x 1.5 MCOR
Cap Length: 180mm

**TX1003**

Inlet: # 5 MIOR
Outlet: # 8 MIOR
Ton: 1
Cap Length: 255mm

**TX1005**

Inlet: # 5 MIOR
Outlet: # 8 MIOR
Ton: 1.5
Cap Length: 185mm
Superheat: 3.9°C



TX1009

Inlet: # 6 MIOR
Outlet: # 8 MIOR
Ton: 1.5
Cap Length: 180mm
Superheat: 3°C



TX1027

Inlet: M16 x 1.5 MIOR
Outlet: M20 x 1.5 MIOR
Ton: 1
Cap Length: 230mm
Superheat: 4.4°C



TX1038

Inlet: M16 x 1.5 MIOR
Outlet: M20 x 1.5 MIOR
Cap Length: 250mm



TX1043

Inlet: # 6 MIOR
Outlet: # 8 MIOR
Ton: 2
Cap Length: 250mm



TX1360

Inlet: M16 x 1.5 MCOR
Outlet: M22 x 1.5 MCOR
Ton: 1.5
Cap Length: 250mm



TX1380

Inlet: M16 x 1.5 MCOR
Outlet: M22 x 1.5 MCOR
Cap Length: 65mm



TX1534A

Inlet: # 6 MIOR
Outlet: # 8 MIOR
Ton: 1
Cap Length: 175mm
Superheat: 3°C



TX1760

Inlet: M16 x 1.5 MCOR
Outlet: M22 x 1.5 MCOR
Cap Length: 285mm



TX8731

Inlet: # 6 MIOR
Outlet: # 8 MIOR
Ton: 2
Cap Length: 203mm
Superheat: 2.8°C



TX9001

Inlet: M16 x 1.5 MCOR
Outlet: M22 x 1.5 MCOR
Ton: 1.5
Cap Length: 250mm



TX9010

Inlet: M16 x 1.5 MCOR
Outlet: M22 x 1.5 MCOR

Cap Length: 70mm



TX9030

Inlet: # 5 MIOR
Outlet: # 8 MIOR
Ton: 1.5
Cap Length: 285mm



TX9091

Inlet: M16 x 1.5 MCOR
Outlet: M22 x 1.5 MCOR
Ton: 1
Cap Length: 250mm




TX9910

Inlet: # 5 MIOR
Outlet: # 8 MIOR
Ton: 1
Cap Length: 300mm



**Externally
Equalised - O'ring**



TX0470

Inlet: # 5 MIOR
Outlet: # 8 MIOR
Ton: 1
Cap Length: 230mm
Ext. Eq. Length: 560mm
Ext. Eq. Connect: 1/4" FOR



TX1011

Inlet: M16 x 1.5 MIOR
Outlet: M20 x 1.5 MIOR
Ton: 1
Cap Length: 235mm
Ext. Eq. Length: 310mm
Ext. Eq. Connect: M12 FOR



TX1028

Inlet: M14 x 1.5 MIOR
Outlet: M20 x 1.5 MIOR
Ton: 1
Cap Length: 215mm
Ext. Eq. Length: 215mm
Ext. Eq. Connect: M12 FOR



TX1030

Inlet: # 5 MIOR
Outlet: # 8 MIOR
Ton: 1.5
Cap Length: 310mm
Ext. Eq. Length: 310mm
Ext. Eq. Connect: 1/4" FOR



TX4292

Inlet: # 6 MIOR
Outlet: # 8 MIOR

Cap Length: 340mm
Ext. Eq. Length: 420mm
Ext. Eq. Connect: 1/4" FOR



TX6068

Inlet: # 6 MIOR
Outlet: # 8 MIOR
Ton: 1.5
Cap Length: 305mm
Ext. Eq. Length: 330mm
Ext. Eq. Connect: 1/4"
 FOR
Superheat: 8.9°C



TX6730

Inlet: # 6 MIOR
Outlet: # 8 MIOR
Ton: 1.5
Cap Length: 305mm
Ext. Eq. Length: 330mm
Ext. Eq. Connect: 1/4"
 FOR
Superheat: 4.4°C



TX6890

Inlet: # 6 MIOR
Outlet: # 8 MIOR
Ton: 2
Cap Length: 838mm
Ext. Eq. Length: 787mm
Ext. Eq. Connect: 1/4"
 MOR
Superheat: 5.8°C



TX8769

Inlet: # 6 MIOR
Outlet: # 8 MIOR
Ton: 2
Cap Length: 305mm
Ext. Eq. Length: 248mm
Ext. Eq. Connect: 1/4"
 FOR
Superheat: 4.4°C



TX8782

Inlet: # 6 MIOR
Outlet: # 8 MIOR
Ton: 2
Cap Length: 203mm
Ext. Eq. Length: 248mm
Ext. Eq. Connect: 1/4"
 FOR
Superheat: 2.8°C



TX8784

Inlet: # 6 MIOR
Outlet: # 8 MIOR
Ton: 2
Cap Length: 203mm
Ext. Eq. Length: 248mm
Ext. Eq. Connect: 1/4"
 FOR
Superheat: 2.8°C



TX9921

Inlet: # 5 MIOR
Outlet: # 8 MIOR
Ton: 1
Cap Length: 230mm
Ext. Eq. Length: 770mm
Ext. Eq. Connect: 1/4"
 FOR



Internally Equalised - O'ring - Reverse Flow

TX0210

Inlet: M16 x 1.5 MCOR
Outlet: M22 x 1.5 MCOR
Ton: 1
Cap Length: 190mm



TX0370

Inlet: M16 x 1.5 MCOR
Outlet: M22 x 1.5 MCOR
Ton: 1.5
Cap Length: 260mm



TX0510

Inlet: # 5 MIOR
Outlet: # 8 MIOR
Ton: 1
Cap Length: 230mm

**TX0530**

Inlet: M16 x 1.5 MCOR
Outlet: M22 x 1.5 MCOR
Ton: 1
Cap Length: 190mm

**TX0990**

Inlet: # 5 MIOR
Outlet: # 8 MIOR
Ton: 1
Cap Length: 100mm

**TX1036**

Inlet: M16 x 1.5 MIOR
Outlet: M20 x 1.5 MIOR
Ton: 1.5
Cap Length: 220mm

**TX4390**

Inlet: M16 x 1.5 MCOR
Outlet: M22 x 1.5 MCOR
Ton: 1
Cap Length: 190mm

**TX7531**

Inlet: # 5 MIOR
Outlet: # 8 MIOR
Ton: 1.5
Cap Length: 360mm
Superheat: 4.4°C

**TX7631**

Inlet: # 6 MIOR
Outlet: # 8 MIOR
Ton: 2
Cap Length: 305mm
Superheat: 4.4°C



**Externally
 Equalised - O'ring -
 Reverse Flow**

TX0150

Inlet: M16 x 1.5 MCOR
Outlet: M22 x 1.5 MCOR
Ton: 1.5
Cap Length: 290mm
Ext. Eq. Length: 400mm
Ext. Eq. Connect: M12
 FOR

**TX0231**

Inlet: # 6 MIOR
Outlet: # 8 MIOR
Ton: 1
Cap Length: 185mm
Ext. Eq. Length: 170mm
Ext. Eq. Connect: 1/4"
 FOR



TX0440

Inlet: # 6 MIOR
Outlet: # 8 MIOR
Ton: 1.5
Cap Length: 290mm
Ext. Eq. Length: 310mm
Ext. Eq. Connect: 1/4" FOR



TX0480

Inlet: # 5 MIOR
Outlet: # 8 MIOR
Ton: 1
Cap Length: 230mm
Ext. Eq. Length: 550mm
Ext. Eq. Connect: 1/4" FOR



TX0570

Inlet: M16 x 1.5 MCOR
Outlet: M22 x 1.5 MCOR
Ton: 1.5
Cap Length: 150mm
Ext. Eq. Length: 515mm
Ext. Eq. Connect: Pad



TX0920

Inlet: M16 x 1.5 MCOR
Outlet: M22 x 1.5 MCOR
Ton: 1.5
Cap Length: 160mm
Ext. Eq. Length: 700mm
Ext. Eq. Connect: Pad



TX1008

Inlet: # 5 MIOR
Outlet: # 8 MIOR
Ton: 1.5
Cap Length: 230mm
Ext. Eq. Length: 260mm
Ext. Eq. Connect: Pad



TX1020

Inlet: M16 x 1.5 MIOR
Outlet: M20 x 1.5 MIOR
Ton: 1
Cap Length: 190mm
Ext. Eq. Length: 305mm
Ext. Eq. Connect: M12 FOR



TX1022

Inlet: M16 x 1.5 MIOR
Outlet: M20 x 1.5 MIOR
Ton: 1.5
Cap Length: 215mm
Ext. Eq. Length: 215mm
Ext. Eq. Connect: M12 FOR



TX1023

Inlet: # 5 MIOR
Outlet: # 8 MIOR
Ton: 1.5
Cap Length: 130mm
Ext. Eq. Length: 190mm
Ext. Eq. Connect: 1/4" FOR



TX1024

Inlet: # 5 MIOR
Outlet: # 8 MIOR
Ton: 1
Cap Length: 220mm
Ext. Eq. Length: 310mm
Ext. Eq. Connect: 1/4" FF



TX1025

Inlet: M16 x 1.5 MIOR
Outlet: M20 x 1.5 MIOR
Ton: 1.5
Cap Length: 305mm
Ext. Eq. Length: 324mm
Ext. Eq. Connect: M12 FOR
Superheat: 4.4°C



TX1031

Inlet: # 5 MIOR
Outlet: # 8 MIOR
Ton: 1.5
Cap Length: 220mm
Ext. Eq. Length: 225mm
Ext. Eq. Connect: 1/4"
 FOR

**TX1032**

Inlet: M16 x 1.5 MIOR
Outlet: M20 x 1.5 MIOR
Ton: 1
Cap Length: 210mm
Ext. Eq. Length: 200mm
Ext. Eq. Connect: M12
 FOR

**TX1040**

Inlet: M16 x 1.5 MCOR
Outlet: M22 x 1.5 MCOR
Ton: 1.5
Cap Length: 300mm
Ext. Eq. Length: 300mm
Ext. Eq. Connect: M12
 FOR

**TX3015**

Inlet: # 6 MIOR
Outlet: # 8 MIOR
Ton: 2.5
Cap Length: 220mm
Ext. Eq. Length: 210mm
Ext. Eq. Connect: 1/4"
 FOR

**TX7731**

Inlet: # 5 MIOR
Outlet: # 8 MIOR
Ton: 1.5
Cap Length: 305mm
Ext. Eq. Length: 828mm
Ext. Eq. Connect: 1/4"
 FOR
Superheat: 4.4°C

**TX7733**

Inlet: M16 x 1.5 MIOR
Outlet: # 8 MIOR
Ton: 1.5
Cap Length: 305mm
Ext. Eq. Length: 828mm
Ext. Eq. Connect: M12
 FOR
Superheat: 4.4°C

**TX9021**

Inlet: M16 x 1.5 MCOR
Outlet: M22 x 1.5 MCOR
Ton: 1.5
Cap Length: 300mm
Ext. Eq. Length: 210mm
Ext. Eq. Connect: M12
 FOR

**TX9031**

Inlet: M16 x 1.5 MCOR
Outlet: M22 x 1.5 MCOR
Ton: 1.5
Cap Length: 350mm
Ext. Eq. Length: 1320mm
Ext. Eq. Connect: Pad

**TX9061**

Inlet: # 5 MIOR
Outlet: # 8 MIOR
Ton: 1.5
Cap Length: 400mm
Ext. Eq. Length: 600mm
Ext. Eq. Connect: Pad





TX4255

Fittings:
Inlet: # 6 FIOR
Outlet: # 10 FIOR
Evaporator:
Inlet: # 8 FIOR
Outlet: # 8 FIOR
Ton: 1.5
Superheat: 5°C



TX4264

Fittings:
Inlet: # 6 FIOR
Outlet: # 10 FIOR
Evaporator:
Inlet: # 8 FIOR
Outlet: # 8 FIOR
Ton: 2



TX8300

Fittings:
Inlet: # 6 FIOR
Outlet: # 10 FIOR
Evaporator:
Inlet: # 8 FIOR
Outlet: # 8 FIOR
Ton: 1.5
Superheat: 2.8°C



TX8310

Fittings:
Inlet: # 6 FIOR
Outlet: # 10 FIOR
Evaporator:
Inlet: # 8 FIOR
Outlet: # 8 FIOR
Ton: 1.5



Threaded mounting holes

TX8320

Fittings:
Inlet: # 6 FIOR
Outlet: # 10 FIOR
Evaporator:
Inlet: # 8 FIOR
Outlet: # 10 FIOR
Ton: 1.5



TX8380

Fittings:
Inlet: # 6 FIOR
Outlet: # 10 FIOR
Evaporator:
Inlet: # 8 FIOR
Outlet: # 10 FIOR
Ton: 2
Superheat: 8°C



TX8400

Fittings:
Inlet: # 6 FIOR
Outlet: # 10 FIOR
Evaporator:
Inlet: # 8 FIOR
Outlet: # 8 FIOR
Ton: 1.5
Superheat: 5°C



TX9015

Fittings:
Inlet: # 6 FIOR
Outlet: # 10 FIOR
Evaporator:
Inlet: # 8 FIOR
Outlet: # 8 FIOR
Ton: 1.5
Superheat: 2.8°C



TX9041

Fittings:
Inlet: # 6 FIOR
Outlet: # 10 FIOR
Evaporator:
Inlet: # 8 FIOR
Outlet: # 8 FIOR
Ton: 2
Superheat: 4.4°C



TX9413

Fittings:
Inlet: # 6 FIOR
Outlet: # 10 FIOR
Evaporator:
Inlet: # 8 FIOR
Outlet: # 10 FIOR
Ton: 2
Superheat: 4.4°C



TX9448

Fittings:
Inlet: # 6 FIOR
Outlet: # 10 FIOR
Evaporator:
Inlet: # 8 FIOR
Outlet: # 10 FIOR
Ton: 1.5
Superheat: 4.4°C



TX5000

Fittings:
Inlet: # 6 FIOR
Outlet: # 10 FIOR
Evaporator:
Inlet: # 8 FIOR
Outlet: # 8 FIOR
Ton: 2
Superheat: 4.4°C



TX5006

Fittings:
Inlet: # 6 FIOR
Outlet: # 10 FIOR
Evaporator:
Inlet: # 8 FIOR
Outlet: # 10 FIOR
Ton: 2
Superheat: 3.5°C



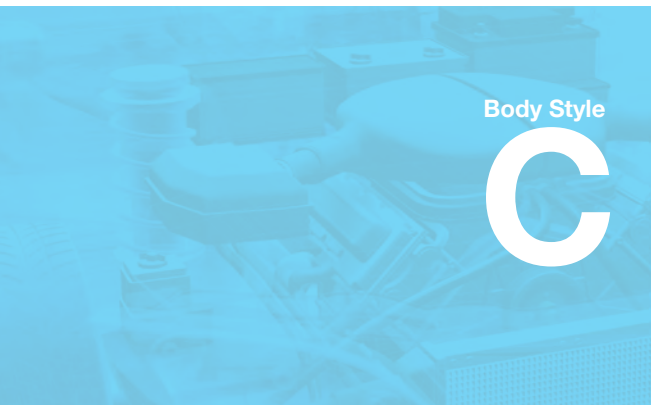
TX8719

Fittings:
Inlet: # 6 FIOR
Outlet: # 10 FIOR
Evaporator:
Inlet: # 8 FIOR
Outlet: # 10 FIOR
Ton: 2
Superheat: 3.5°C



TX9009

Fittings:
Inlet: # 6 FIOR
Outlet: # 10 FIOR
Evaporator:
Inlet: # 8 FIOR
Outlet: # 8 FIOR
Ton: 2
Superheat: 2.8°C



Body Style

C

TX1037

Fittings:
Inlet: # 6
Outlet: # 10
Evaporator:
Inlet: # 8
Outlet: # 10
Ton: 2



TX5824

Fittings:
Inlet: # 6
Outlet: # 12
Evaporator:
Inlet: # 8
Outlet: # 10
Ton: 1.5



TX8785

Fittings:
Inlet: # 8
Outlet: # 10
Evaporator:
Inlet: # 8 FIOR
Outlet: # 10 FIOR



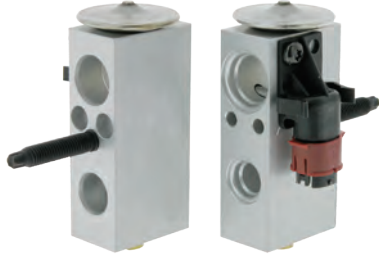
TX9011

Fittings:
Inlet: # 8
Outlet: # 12
Evaporator:
Inlet: # 8
Outlet: # 12
Ton: 1.5
Superheat: 3.6°C



TX9013

Fittings:
Inlet: # 8
Outlet: # 10
Evaporator:
Inlet: # 8
Outlet: # 12



TX9048

Fittings:
Inlet: # 8
Outlet: # 10
Evaporator:
Inlet: # 8
Outlet: # 10
Ton: 2



TX9131

Fittings:
Inlet: # 6
Outlet: # 10
Evaporator:
Inlet: # 8
Outlet: # 8
Ton: 1.5
Superheat: 4.4°C



TX9414

Fittings:
Inlet: # 6
Outlet: # 10
Evaporator:
Inlet: # 6
Outlet: # 10
Ton: 1.5
Superheat: 3.6°C



TX9415

Fittings:
Inlet: # 6
Outlet: # 10
Evaporator:
Inlet: # 8
Outlet: # 8



TX9431

Fittings:
Inlet: # 6
Outlet: # 10
Evaporator:
Inlet: # 8
Outlet: # 10
Ton: 2.5
Superheat: 2.8°C



TX9432

Fittings:
Inlet: # 6
Outlet: # 10
Evaporator:
Inlet: # 8
Outlet: # 10
Ton: 2.5
Superheat: 2.8°C



TX9433

Fittings:
Inlet: # 6
Outlet: # 12
Evaporator:
Inlet: # 8
Outlet: # 10



TX9449

Fittings:
 Inlet: # 8
 Outlet: # 10
Evaporator:
 Inlet: # 8
 Outlet: # 12



TX9457

Fittings:
 Inlet: # 6
 Outlet: # 12
Evaporator:
 Inlet: # 8
 Outlet: # 10
 Ton: 1.5



TX9492

Fittings:
 Inlet: # 6
 Outlet: # 12
Evaporator:
 Inlet: # 8
 Outlet: # 10
 Ton: 2



TX9602

Fittings:
 Inlet: # 6
 Outlet: # 12
Evaporator:
 Inlet: # 8
 Outlet: # 10
 Ton: 2
 Superheat: 3.5°C



TX9815

Fittings:
 Inlet: # 6
 Outlet: # 10
Evaporator:
 Inlet: # 8
 Outlet: # 10
 Ton: 2.5
 Superheat: 2.8°C



TX9819

Fittings:
 Inlet: # 6
 Outlet: # 10
Evaporator:
 Inlet: # 8
 Outlet: # 10
 Ton: 2.5
 Superheat: 2.8°C



TX9821

Fittings:
 Inlet: # 6
 Outlet: # 10
Evaporator:
 Inlet: # 8
 Outlet: # 10
 Ton: 2.5
 Superheat: 2.8°C



TX1070

Fittings:
 Inlet: # 6
 Outlet: # 12
Evaporator:
 Inlet: # 8
 Outlet: # 12



TX5001

Fittings:
 Inlet: # 6
 Outlet: # 12
Evaporator:
 Inlet: # 8
 Outlet: # 10



TX5002

Fittings:
 Inlet: # 6
 Outlet: # 12
 Evaporator:
 Inlet: # 8
 Outlet: # 10



TX5003

Fittings:
 Inlet: # 6
 Outlet: # 12
 Evaporator:
 Inlet: # 8
 Outlet: # 10



TX5007

Fittings:
 Inlet: # 6
 Outlet: # 12
 Evaporator:
 Inlet: # 8
 Outlet: # 10



TX5009

Fittings:
 Inlet: # 8
 Outlet: # 10
 Evaporator:
 Inlet: # 8
 Outlet: # 10



TX5010

Fittings:
 Inlet: # 6
 Outlet: # 10
 Evaporator:
 Inlet: # 8
 Outlet: # 10



TX5018

Fittings:
 Inlet: # 6
 Outlet: # 12
 Evaporator:
 Inlet: # 8
 Outlet: # 10



TX5022

Fittings:
 Inlet: # 8
 Outlet: # 10
 Evaporator:
 Inlet: # 8
 Outlet: # 12



TX5024

Fittings:
 Inlet: # 8
 Outlet: # 10
 Evaporator:
 Inlet: # 8
 Outlet: # 10



TX6715

Fittings:
 Inlet: # 6
 Outlet: # 12
 Evaporator:
 Inlet: # 8
 Outlet: # 10



TX7497

Fittings:
 Inlet: # 6
 Outlet: # 12
 Evaporator:
 Inlet: # 8
 Outlet: # 12



TX8882

Fittings:
 Inlet: # 6
 Outlet: # 10
 Evaporator:
 Inlet: # 8
 Outlet: # 10

TX9356

Fittings:
 Inlet: # 6
 Outlet: # 12
 Evaporator:
 Inlet: # 8
 Outlet: # 10

TX9421

Fittings:
 Inlet: # 6
 Outlet: # 12
 Evaporator:
 Inlet: # 8
 Outlet: # 10
 Ton: 2
 Superheat: 6°C

TX9422

Fittings:
 Inlet: # 6
 Outlet: # 12
 Evaporator:
 Inlet: # 8
 Outlet: # 10
 Ton: 2
 Superheat: 3°C



TX1042

Fittings:
 Inlet: # 6
 Outlet: # 10
 Evaporator:
 Inlet: # 8
 Outlet: # 10
 Ton: 1

TX1136

Fittings:
 Inlet: # 6
 Outlet: # 10
 Evaporator:
 Inlet: # 8
 Outlet: # 10
 Ton: 1.5

TX1139

Fittings:
 Inlet: # 6
 Outlet: # 10
 Evaporator:
 Inlet: # 8
 Outlet: # 10

TX1140

Fittings:
 Inlet: # 5
 Outlet: # 8
 Evaporator:
 Inlet: # 8
 Outlet: # 8

TX2719

Fittings:
 Inlet: # 6
 Outlet: # 12
 Evaporator:
 Inlet: # 8
 Outlet: # 10

TX3323

Fittings:
 Inlet: # 5
 Outlet: # 10
Evaporator:
 Inlet: # 10
 Outlet: # 10



TX7632

Fittings:
 Inlet: # 8
 Outlet: # 10
Evaporator:
 Inlet: # 8
 Outlet: # 10



TX0030

Fittings:
 Inlet: # 6
 Outlet: # 10
Evaporator:
 Inlet: # 10
 Outlet: # 10
 Ton: 1.5



TX0032

Fittings:
 Inlet: # 8
 Outlet: # 10
Evaporator:
 Inlet: # 8
 Outlet: # 10



TX0220

Fittings:
 Inlet: # 6
 Outlet: # 10
Evaporator:
 Inlet: # 8
 Outlet: # 10



TX0420

Fittings:
 Inlet: # 6
 Outlet: # 10
Evaporator:
 Inlet: # 10
 Outlet: # 10



TX0520

Fittings:
 Inlet: # 6
 Outlet: # 10
Evaporator:
 Inlet: # 8
 Outlet: # 10



TX0691

Fittings:
 Inlet: # 6
 Outlet: # 10
Evaporator:
 Inlet: # 8
 Outlet: # 10



TX0830

Fittings:
 Inlet: # 5
 Outlet: # 10
Evaporator:
 Inlet: # 10
 Outlet: # 10
 Ton: 1



TX0890

Fittings:
Inlet: # 5
Outlet: # 10
Evaporator:
Inlet: # 8
Outlet: # 10



TX1000

Fittings:
Inlet: # 6
Outlet: # 10
Evaporator:
Inlet: # 8
Outlet: # 10



TX1006

Fittings:
Inlet: # 5
Outlet: # 10
Evaporator:
Inlet: # 10
Outlet: # 10
Ton: 2
Superheat: 4°C



TX1007

Fittings:
Inlet: # 6
Outlet: # 10
Evaporator:
Inlet: # 10
Outlet: # 10
Ton: 2
Superheat: 4°C



TX1012

Fittings:
Inlet: # 6
Outlet: # 10
Evaporator:
Inlet: # 8
Outlet: # 10
Ton: 2
Superheat: 3.5°C



TX1021

Fittings:
Inlet: # 5
Outlet: # 10
Evaporator:
Inlet: # 10
Outlet: # 12



TX1035

Fittings:
Inlet: # 6
Outlet: # 10
Evaporator:
Inlet: # 8
Outlet: # 10



TX1045

Fittings:
Inlet: # 5
Outlet: # 10
Evaporator:
Inlet: # 10
Outlet: # 10



TX1046

Fittings:
Inlet: # 8
Outlet: # 12
Evaporator:
Inlet: # 8
Outlet: # 10



TX1050

Fittings:
Inlet: # 5
Outlet: # 10
Evaporator:
Inlet: # 10
Outlet: # 10



TX1066

Fittings:
Inlet: # 5
Outlet: # 10
Evaporator:
Inlet: # 10
Outlet: # 10



TX1091

Fittings:
Inlet: # 6
Outlet: # 10
Evaporator:
Inlet: # 8
Outlet: # 10



TX1137

Fittings:
Inlet: # 5
Outlet: # 10
Evaporator:
Inlet: # 10
Outlet: # 10



TX1141

Fittings:
Inlet: # 6
Outlet: # 10
Evaporator:
Inlet: # 10
Outlet: # 10



TX1142

Fittings:
Inlet: # 5
Outlet: # 10
Evaporator:
Inlet: # 8
Outlet: # 10



TX1280

Fittings:
Inlet: # 6
Outlet: # 10
Evaporator:
Inlet: # 8
Outlet: # 10



TX1311

Fittings:
Inlet: # 6
Outlet: # 10
Evaporator:
Inlet: # 8
Outlet: # 10



Picture unavailable at time of printing
 refer www.cooldrive.com.au

TX1390

Fittings:
Inlet: # 6
Outlet: # 10
Evaporator:
Inlet: # 10
Outlet: # 10



TX1600

Fittings:
Inlet: # 6
Outlet: # 10
Evaporator:
Inlet: # 8
Outlet: # 10



TX1640

Fittings:
Inlet: # 6
Outlet: # 10
Evaporator:
Inlet: # 8
Outlet: # 10
Ton: 1



TX1700

Fittings:
Inlet: # 6
Outlet: # 10
Evaporator:
Inlet: # 8
Outlet: # 10



TX1730

Fittings:
Inlet: # 5
Outlet: # 10
Evaporator:
Inlet: # 10
Outlet: # 10
Ton: 1.5



TX1790

Fittings:
Inlet: # 6
Outlet: # 10
Evaporator:
Inlet: # 8
Outlet: # 10



TX1800

Fittings:
Inlet: # 6
Outlet: # 10
Evaporator:
Inlet: # 8
Outlet: # 10



TX1880

Fittings:
Inlet: # 6
Outlet: # 10
Evaporator:
Inlet: # 8
Outlet: # 10



TX1940

Fittings:
Inlet: # 6
Outlet: # 10
Evaporator:
Inlet: # 8
Outlet: # 10



TX1950

Fittings:
Inlet: # 6
Outlet: # 10
Evaporator:
Inlet: # 8
Outlet: # 10



TX2000

Fittings:
Inlet: # 6
Outlet: # 10
Evaporator:
Inlet: # 8
Outlet: # 10



TX2060

Fittings:
Inlet: # 6
Outlet: # 10
Evaporator:
Inlet: # 8
Outlet: # 10



TX2230

Fittings:
Inlet: # 6
Outlet: # 10
Evaporator:
Inlet: # 8
Outlet: # 10



Picture unavailable at time of printing
 refer www.cooldrive.com.au

TX2370

Fittings:
Inlet: # 6
Outlet: # 10
Evaporator:
Inlet: # 8
Outlet: # 10



TX2390

Fittings:
Inlet: # 6
Outlet: # 10
Evaporator:
Inlet: # 8
Outlet: # 10



TX2400

Fittings:
Inlet: # 6
Outlet: # 10
Evaporator:
Inlet: # 8
Outlet: # 10



TX2450

Fittings:
Inlet: # 6
Outlet: # 10
Evaporator:
Inlet: # 8
Outlet: # 10



TX2520

Fittings:
Inlet: # 6
Outlet: # 10
Evaporator:
Inlet: # 8
Outlet: # 10



TX2700

Fittings:
Inlet: # 6
Outlet: # 10
Evaporator:
Inlet: # 8
Outlet: # 10



TX2750

Fittings:
Inlet: # 6
Outlet: # 10
Evaporator:
Inlet: # 8
Outlet: # 10



TX2940

Fittings:
Inlet: # 6
Outlet: # 10
Evaporator:
Inlet: # 8
Outlet: # 10



TX3030

Fittings:
Inlet: # 6
Outlet: # 10
Evaporator:
Inlet: # 8
Outlet: # 10



TX3050

Fittings:
Inlet: # 6
Outlet: # 10
Evaporator:
Inlet: # 8
Outlet: # 10





TX3070

Fittings:
Inlet: # 6
Outlet: # 10
Evaporator:
Inlet: # 8
Outlet: # 10



TX3105

Fittings:
Inlet: # 6
Outlet: # 10
Evaporator:
Inlet: # 8
Outlet: # 10



TX3120

Fittings:
Inlet: # 6
Outlet: # 10
Evaporator:
Inlet: # 8
Outlet: # 10



Picture unavailable at time of printing
 refer www.cooldrive.com.au

TX3180

Fittings:
Inlet: # 6
Outlet: # 10
Evaporator:
Inlet: # 8
Outlet: # 10



TX3700

Fittings:
Inlet: # 6
Outlet: # 10
Evaporator:
Inlet: # 8
Outlet: # 10



TX5011

Fittings:
Inlet: # 6
Outlet: # 12
Evaporator:
Inlet: # 8
Outlet: # 10



TX5017

Fittings:
Inlet: # 6
Outlet: # 10
Evaporator:
Inlet: # 10
Outlet: # 10



TX5020

Fittings:
Inlet: # 6
Outlet: # 12
Evaporator:
Inlet: # 8
Outlet: # 10



TX5021

Fittings:
Inlet: # 6
Outlet: # 12
Evaporator:
Inlet: # 8
Outlet: # 10



TX5062

Fittings:
Inlet: # 6
Outlet: # 10
Evaporator:
Inlet: # 8
Outlet: # 10



TX7633

Fittings:
Inlet: # 6
Outlet: # 10
Evaporator:
Inlet: # 10
Outlet: # 10



TX9060

Fittings:
Inlet: # 6
Outlet: # 10
Evaporator:
Inlet: # 8
Outlet: # 10
Ton: 1.5



TX9070

Fittings:
Inlet: # 5
Outlet: # 8
Evaporator:
Inlet: # 8
Outlet: # 10
Ton: 1.5



TX9080

Fittings:
Inlet: # 6
Outlet: # 10
Evaporator:
Inlet: # 8
Outlet: # 10
Ton: 1.5



TX9215

Fittings:
Inlet: # 6
Outlet: # 12
Evaporator:
Inlet: # 8
Outlet: # 10



TX9220

Fittings:
Inlet: # 6
Outlet: # 10
Evaporator:
Inlet: # 8
Outlet: # 10



TX9240

Fittings:
Inlet: # 6
Outlet: # 10
Evaporator:
Inlet: # 8
Outlet: # 10



Picture unavailable at time of printing
 refer www.cooldrive.com.au

TX9401

Fittings:
Inlet: # 6
Outlet: # 12
Evaporator:
Inlet: # 8
Outlet: # 10
Ton: 1.7
Superheat: 4.4°C



TX9942

Fittings:
Inlet: # 6
Outlet: # 12
Evaporator:
Inlet: # 8
Outlet: # 10
Ton: 2
Superheat: 4.4°C



Body Style

G

TX1044

Fittings:
 Inlet: # 5
 Outlet: # 10
Evaporator:
 Inlet: # 10
 Outlet: # 10



TX5102

Fittings:
 Inlet: # 6
 Outlet: # 12
Evaporator:
 Inlet: # 8
 Outlet: # 10



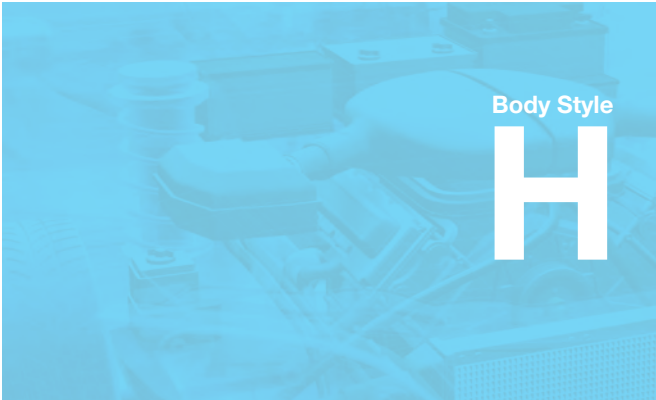
TX6400

Fittings:
 Inlet: # 6
 Outlet: # 12
Evaporator:
 Inlet: # 8
 Outlet: # 10



TX9603

Fittings:
 Inlet: # 6
 Outlet: # 12
Evaporator:
 Inlet: # 8
 Outlet: # 10
 Ton: 2
 Superheat: 3.5°C



Body Style

H

TX0020

Fittings:
 Inlet: # 6
 Outlet: # 10
Evaporator:
 Inlet: # 10
 Outlet: # 10



TX0035

Fittings:
 Inlet: # 6
 Outlet: # 10
Evaporator:
 Inlet: # 10
 Outlet: # 10



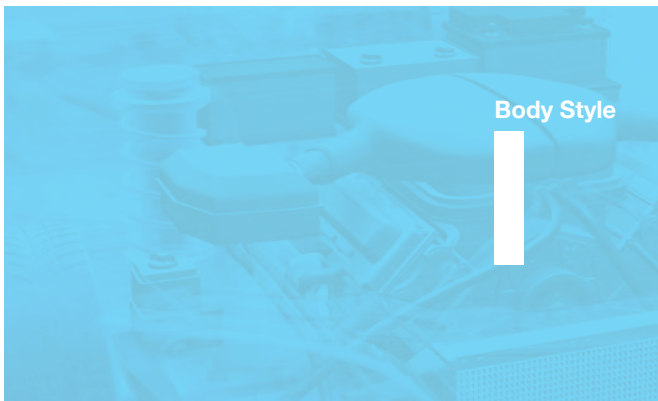
TX0070

Fittings:
 Inlet: # 6
 Outlet: # 10
Evaporator:
 Inlet: # 8
 Outlet: # 10



TX0090

Fittings:
 Inlet: # 6
 Outlet: # 10
Evaporator:
 Inlet: # 8
 Outlet: # 10



Body Style

I

TX5013

Fittings:
Inlet: # 8
Outlet: # 10
Evaporator:
Inlet: # 8
Outlet: # 12



TX5015

Fittings:
Inlet: # 6
Outlet: # 10
Evaporator:
Inlet: # 8
Outlet: # 10



TX5023

Fittings:
Inlet: # 8
Outlet: # 10
Evaporator:
Inlet: # 8
Outlet: # 10



TX5026

Fittings:
Inlet: # 8
Outlet: # 10
Evaporator:
Inlet: # 8
Outlet: # 12



TX6339

Fittings:
Inlet: # 6
Outlet: # 10
Evaporator:
Inlet: # 8
Outlet: # 12



TX1138

Fittings:
Inlet: # 5
Outlet: # 10
Evaporator:
Inlet: # 10
Outlet: # 10



TX1069

Fittings:
Inlet: # 5
Outlet: # 10
Evaporator:
Inlet: # 10
Outlet: # 10



TX5014

Fittings:
Inlet: # 6
Outlet: # 12
Evaporator:
Inlet: # 8
Outlet: # 10



TX5016

Fittings:
Inlet: # 6
Outlet: # 12
Evaporator:
Inlet: # 8
Outlet: # 10



TX9943

Fittings:
Inlet: # 6
Outlet: # 12
Evaporator:
Inlet: # 8
Outlet: # 10
Ton: 1.5



DIRECT REPLACEMENT BLOCK VALVES

TX0048
Ford

Colour:
Green
Orifice Size:
.052"
O'ring Colour:
Green x 2



TX0051
General Motors

Colour:
Black / White
Orifice Size:
.072"
O'ring Colour:
Black



TX0052
Ford

Colour:
Brown
Orifice Size:
.047"
O'ring Colour:
Green x 2



TX0053
Chrysler

Colour:
Purple
Orifice Size:
.062"
O'ring Colour:
Green x 2



TX0054
General Motors

Colour:
Yellow / White
Orifice Size:
.062"
O'ring Colour:
Black



TX0055
General Motors

Colour:
Yellow / White
Orifice Size:
.062"
O'ring Colour:
Black



TX0056
General Motors

Colour:
Yellow / White
Orifice Size:
.062"
O'ring Colour:
Black



TX0057
Ford

Colour:
Black / White
Orifice Size:
.072"
O'ring Colour:
Black x 2



TX0058
General Motors

Colour:
Orange / White
Orifice Size:
.057"
O'ring Colour:
Black



TX0059
Audi & VW

Colour:
Grey / White
Orifice Size:
.072"
O'ring Colour:
Purple




TX0060
Universal

Colour: Black / White
Orifice Size: Variable
O'ring Colour: Green x 2




TX0061
Universal

Colour: Black / White
Orifice Size: Variable
O'ring Colour: Green x 2




TX0167
General Motors

Colour: Grey / White
Orifice Size: .062"
O'ring Colour: Black x 2




TX2611
General Motors

Colour: White
Orifice Size: .072"
O'ring Colour: Black




TX2616
Ford, GM & Volvo

Colour: Blue
Orifice Size: .067"
O'ring Colour: Green x 2




TX2619
Audi, Ford, GM, VW & Volvo

Colour: Red
Orifice Size: .062"
O'ring Colour: Green x 2




TX2621
Ford

Colour: Orange
Orifice Size: .057"
O'ring Colour: Green x 2



TX8004
TXV CCOT Expansion Tube Kit
With orifice tube



TX4015

Orifice Tube Assortment Kit - 58 Piece

Part No.	Size	Colour	Vehicle Make	Qty
TX0048	.052"	Green	Ford	4
TX0051	.072"	Black/White	General Motors	4
TX0052	.047"	Brown	Ford	4
TX0053	.062"	Purple	Chrysler	4
TX0054	.062"	Yellow/White	General Motors	4
TX0055	.062"	Yellow/White	General Motors	4
TX0056	.062"	Yellow/White	General Motors	4
TX0057	.072"	Black/White	Ford	4
TX0058	.057"	Orange/White	General Motors	4
TX0059	.072"	Grey/White	Audi & VW	4
TX0167	.062"	Grey/White	General Motors	2
TX2611	.072"	White	General Motors	4
TX2616	.067"	Blue	Ford, GM & Volvo	4
TX2619	.062"	Red	Audi, GM, VW & Volvo	4
TX2621	.057"	Orange	Ford	4



DIRECT REPLACEMENT-ORIFICE TUBE KIT/ SUNDRY PARTS

TX8133
Bulb Clamp
Each



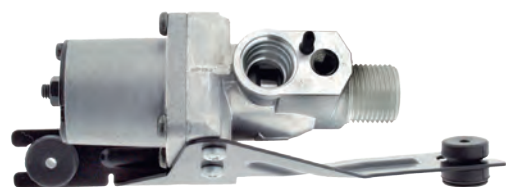
TX8309
Inlet Screen
Each



TX8219
Inlet Screen
Pkt. 5



TX1480
Toyota Soarer
TXV Suction Throttling Valve



TX0860
Toyota Cressida MX83, 10/88-1/93
TXV Suction Throttling Valve



Picture unavailable at time of printing
refer www.cooldrive.com.au

Gen-II Heat, Cool and Defrost Assemblies

Gen-II Technology Benefits

1. In-house engineered heating and cooling coils for high performance.
2. High torque screw-drive servo motors control all internal doors.
Increased travel on these doors allows much greater air-flow.
Immediate response to control input and superior door sealing.
3. No reliance on engine vacuum (important with high performance engines).
4. Designed to give high air flow through CAD designed HVAC cases and internal components.
5. Blower fan isolated on rubber mounts for quieter operation and longer life.
6. Multiple control panel options.
7. Heavy duty wiring harness complete with circuit breakers and relays.
8. Servo operated adjustable heater valve for variable temperature adjustment.

Gen II Mini - Heat, Cool, Defrost

EV6005VH

GEN-II technology is incorporated into Vintage Air's smallest full feature heat & cool system. The exclusive CAD designed case delivers surprising capacity in an easy to fit package. The Gen II Mini is an ideal system for early model trucks and smaller hot rods.



*EV0053VH - Gen II Mini - Mock-up unit

Gen II Compac - Heat, Cool, Defrost

EV8000VH

Vintage Air's proven Gen II servo motor control technology makes this mid-sized package work better than many other full size systems. Three outlet vents allow you to position your louvres wherever you need them. The Gen II Compac is an ideal system for coupes, classic trucks and smaller sedans.



*EV0054VH - Gen II Compac - Mock-up unit

Gen II Super - Heat, Cool, Defrost

EV1005VH

Amazing performance is achieved with the Gen II Super's "O" shaped air outlets. As an added benefit, you can position all 4 louvres wherever you need them in or under your dash. The Super is an ideal system for larger sedans and wagons. Features true bi-level operation in cool and heat modes and a more powerful dedicated dehumidified defroster mode.



*EV0055VH - Gen II Super - Mock-up unit



Gen-IV Heat, Cool and Defrost Assemblies

Gen-IV Magnum -Heat, Cool, Defrost

EV1400VH

Gen IV Magnum Features:

Enjoy true OEM style bi-level, infinitely adjustable, comfort in your classic car. The Gen IV magnum style can handle even the largest sedan or wagon.

- Full electronic operation
- Separate high capacity heat & cool coils
- Aluminium plate/fin A/C coil
- Copper/brass Cuprobreze™ parallel flow heater coil
- Servo blend air doors for instant temperature adjustment
- Variable speed blower motor
- Multiple control panel options

GEN-IV

*EV0056VH - Gen IV Magnum - Mock-up unit

***The Easiest Way To Fit Your Evaporator Into Place**

Mock-up units are representative cases with brackets for each series system but without the internal components so they are light weight - helpful while positioning the unit in place to determine the correct unit, mounting location and hose routing design.



Heater Systems and Evaporators

Mark IV Underdash - Cool only

EV2001VH

The real steel Mark IV is back!

Vintage Air has created an exact reproduction of the most popular underdash air conditioner ever made. The Mark IV features an all steel case built from the original tooling.

The timeless look of chrome and real steel combined with Vintage Air's proven performance makes the new Mark IV a great choice for your period perfect ride.

Includes mounting bracket and drain line.



Under Dash Slimline - Heat, Cool

EV1401VH

A value priced heat/cool version of underdash slimline design, also includes built-in controls & louvres.



Under Dash Slimline - Heat, Cool, Defrost

EV1300VH

Engineered to provide excellent cooling capacity and air delivery. This compact underdash package includes built-in controls and louvres.



Short Pac System - Heat, Cool, Defrost

EV5001VH

Fits where other systems won't!

The Short Pac's exclusive cube shape evaporator allows installation of air conditioning where a conventional horizontal evaporator/heater won't fit.



Heater Systems and Evaporators

Trunk/Boot Mount System - Heat, Cool

EV5000VH

Big power out back!

This new boot mounted system delivers much more volume than a standard boot system and is great for larger cars. Moulded dual louvres mount to your back seat parcel tray. Switch pod mount under the dash. May be used as part of a dual air system too.

Controls Rotary knob switch pod can mount under the dash or on a console.

***Cool only available**



Gen II - Heat only

HA6101VH

Gen II heater!

Provides superior performance from servo motor controlled air door, improved case design and exclusive electronic servo actuated heater control valve. New three knob control operates temp, fan speed and heat/defrost balance mode. Includes universal defrost ducts.



Bi-Level Heater - Heat only

HA0616VH

Vintage Air original design!

Great performance from Cuprobrazed coil technology and improved case design. Single cable/switch control operates both air door actuation and fan speed. Cable operated door allows blending of heat between floor and ducts which can be used for defrost or with optional underdash vents in roadsters.

Cable control included with kit.



Surefit Kits



Make	Model	Year	"SUREFIT" Complete Kit	Evaporator Part No.	Notes	Factory Air	Non Factory Air
Chevy	Tri-Five	1955 - 56	VA6155VH	EV6155VH	With Centre Vent		
			VA6156VH	EV6156VH	With 4 separate vents		
		1957	VA6157VH	EV6157VH	With Centre Vent		
			VA1058VH	EV1057VH	With 4 separate vents		
	Corvette	1958 - 60	VA1059VH	EV1059VH			
			VA1060VH	EV1060VH			
		1963 - 65	VA4058VH	EV1163VH			X
			VA4063VH	EV5063VH		X	
		1966	VA4163VH	NA			X
		1967	VA4166VH	EV5058VH		X	
		1967	VA1165VH	EV4966VH			X
		1968	VA6416VH	EV4172VH		X	
		1969 - 76	VA1173VH	EV4173VH		X	
		1969 - 76	VA6117VH	EV1174VH			X
Camaro / Firebird	1967 - 68	VA4167VH	EV4167VH		X		



Surefit Kits (continued)

Make	Model	Year	"SUREFIT" Complete Kit	Evaporator Part No.	Notes	Factory Air	Non Factory Air		
Chevy	Camaro / Firebird	1967 - 68	VA1167VH	EV1167VH			X		
		1969	VA4169VH	EV4169VH	not Firebird	X			
		1969	VA1169VH	EV1169	not Firebird		X		
		1970 - 78	VA5070VH	EV5070VH	not Firebird	X			
		1970 - 78	VA1172VH	EV1172VH	not Firebird		X		
	Chevelle, El Camino	1964 - 65	VA4464VH	EV4464VH			X		
		1964 - 65	VA1065VH	EV1065VH				X	
		1966 - 67	VA4465VH	EV4466VH			X		
		1966 - 67	VA1066VH	EV1066VH				X	
		1968 - 69	VA4471VH	EV4471VH			X		
		1968 - 69	VA1068VH	EV1068VH				X	
		1970 - 72	VA5071VH	EV5071VH			X		
		1970 - 72	VA1071VH	EV1071VH				X	
		Impala	1959 - 60	VA4059VH			2 Lever control		
			1959 - 60	VA4060VH			4 Lever control		
	1961 - 62		VA4062VH	EV4062VH			X		
	1961 - 62		VA1062VH	EV1062VH				X	
	1963		VA6406VH	EV4063VH			X		
	1963		VA1063VH	EV1063VH				X	
		1964	VA9640VH	EV4064VH			X		
	1964	VA1064VH	EV1064VH				X		
	Pick-Up	1955 - 59		EV5055VH					
Pontiac	GTO / LeMans	1964 - 67	VA4467VH	EV4467VH		X			
		1964 - 67	VA1067VH	EV1067VH			X		
Ford	Mustang	1964 - 66	*VA4066VH	EV4164VH					
		1967 - 68	VA4168VH	EV4168VH		X			
		1967 - 68	*VA1168VH	EV5067VH			X		
		1969 - 70	VA4170VH	EV4170VH		X			
		1969 - 70	*VA1170VH	EV1170VH			X		

*Denotes normally stocked item

Surefit kits available for many other makes and models. Contact sales for a complete list.



Front Runner Systems

The Front Runner system is a compact, totally engineered accessory drive system. It solves the most critical shortcomings of conventional aftermarket accessory brackets such as; premature belt failures caused by mechanical tensioning, excessive belt length runs and awkward component placement. The exclusive Truss Type Chevy Front Runner brackets provide a super rigid mounting platform of all engine

accessories and bolts only to the engine block. The revolutionary one piece forged and aluminium front cover design on the Ford Front Runner mounts all the accessories with no additional brackets required. The Front Runner front cover bracket simply replaces your OEM front cover / water pump assembly and does not require any bolts in the cylinder heads.

Make	Engine Type	Part No.	Pwr Steer	Non Pwr Steer	Material
Chevy	LS1 / LS2	EK4014VH	X		Polished
	LS1 / LS2	EK5015VH		X	Polished
	LS7	EK4012VH	X		Polished
	LS7	EK5012VH		X	Polished
	Small Block	EK4015VH	X		Polished
	Small Block	EK5020VH		X	Polished
	Big Block	EK4058VH	X		Polished
	Big Block	EK5060VH		X	Chrome
Ford	Small Block	EK4100VH	X		Polished
	Small Block Windsor	EK4103VH	Note: pump not supplied		Polished
	Small Block	EK5103VH		X	Chrome

Note - All power steering kits listed include a power steering pump.

Compressor Brackets



Make	Engine Type	Bracket	Part No	Driver	Passenger	Notes
Ford	Windsor	Compressor	EK1106VH		X	Driver's side mount
	64 - 68 Windsor	Compressor	EK1511VH			With and without pwr steering
	Cleveland	Compressor	EK1351VH			
	6 cyl 170-200 Cu in	Compressor	EK5113VH			
Chevy	Big Block	Compressor	EK1370VH		X	Long water pump, top mount
	Big Block	Compressor	EK1371VH	X		Long water pump, side mount
	Small Block	Compressor / Alternator	EK2170VH			Short water pump, Non Vortec
	Small Block	Compressor / Alternator	EK7227VH			Long water pump, Non Vortec
		Compressor	EK5112VH	X		Short water pump, top mount
Chrysler	V8 318-360 Cu in	Compressor	EK5120VH			Early engines to 1969
Universal		Compressor	EK5115VH			Universal applications

Note: Various compressor and alternator mounts are also available for many other makes, models and applications. Refer to sales for a complete list.

Compressors



Part No	Model	Type	Material
CM4808VH	SD508	2A - VOR Ports	Polished
CM4809VH	SD508	7PV - VOR Ports	Polished
CM4810VH	SD508	2A - VOR Ports	Chrome
CM7001VH	SD7H15	2A - HOR Ports	Polished

Condenser Assemblies



Part No	Application	Dimensions	Notes
CN2769VH	Chev 1955 - 57	432 x 484 x 18mm	Supplied with brackets
CN3257VH	Chev 1957	432 x 484 x 18mm	to mount in V8 position
CN3332VH	Ford 1932	356 x 527 x 18mm	Supplied with brackets
CN2769VH	Ford 1939 - 40	432 x 484 x 18mm	Supplied with brackets

Fan Shrouds

Part No.	Application
EF2064VH	Mustang 1964 - 66, 6 cyl
EF2065VH	Mustang 1964 - 66, V8
EF2072VH	Mustang 1967



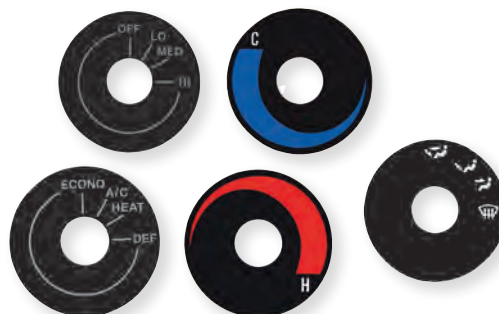
Louvres

Part No.	Style	Size
LV1016VH	Round - through dash mount, chrome	OD - 73mm
LV1023VH	Round - through dash mount, silver and black	OD - 73mm
LV1024VH	Eyeball - swivel Brushed Aluminium	OD - 67mm
LV1025VH	Eyeball - swivel Black Anodized Aluminium	OD - 67mm
LV1030VH	Eyeball underdash 2 pack - All Black	
LV1032VH	Eyeball underdash 2 pack - Black with chrome ball	
LV1028VH	Rectangular - smooth polished aluminium	102mm x 45mm
LV1029VH	Rectangular - smooth polished aluminium	124mm x 45mm
LV1033VH	Rectangular - underdash	
LV1006VH	Rectangular - underdash twin	289mm x 64mm
SP3100VH	Duct trim - defrost machined aluminium (pair)	165mm x 16mm
SP9161VH	Duct trim - moulded plastic - paintable (pair)	165mm x 16mm



Decals

Part No.	Description
SP0559VH	Mode selector - 'ECONO, A/C, HEAT, DEF'
SP0558VH	Fan position - 'LO, MED, HI'
SP0572VH	Heat decal - 'H'
SP0571VH	Cool or thermostat decal - 'C'
SP0570VH	Mode selector - icons



Control Panels

Part No.	Description
SP1200VH	Horizontal - Streamline, Polished. 135mm x 25mm. Internally backlit aluminium knobs
SP1229VH	Horizontal - Streamline, Black anodized. 135mm x 25mm. Internally backlit aluminium knobs
SP8105VH	Horizontal - Streamline, Gen II. Polished. 140mm x 63mm. Internally backlit aluminium knobs
SP9110VH	Horizontal - 4 Lever type, Black 117mm x 62mm.
SP9200VH	Horizontal - 4 knob U/dash, Gen II with servo heater control. 170mm x 50mm



Accessories

Part No.	Description
SP0507VH	Water valve kit - Control knob & Pod heater tap



Ducting & Adaptors

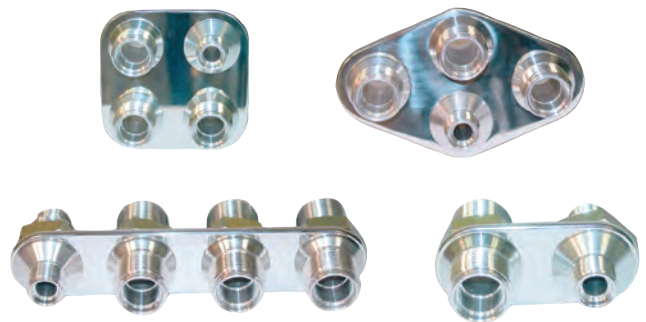
Part No.	Diameter	2m	5m	10m
SP2419VH	2" - 50mm	SP9033-2	SP9033-5	SP9033-10
SP7044	2 1/4" - 57mm	SP9035-2	SP9035-5	SP9035-10
SP7045	2 1/2" - 63mm	SP9034-2	SP9034-5	SP9034-10
SP7046	2 1/2" - 63mm, oval			



Bulkhead Fittings

4 Way A/C & Heater

Part No	Style	Fittings
AF4600VH	Square	# 6 - # 10 Male O'ring
AF9600VH	Square	# 6 - # 10 Male O'ring
AF8800VH	Diamond	# 8 - # 10 Male O'ring
AF8600VH	Diamond	# 6 - # 10 Male O'ring
AF6600VH	In line straight	# 6 - # 10 Male O'ring



2 Way A/C & Heater

Part No	Style	Fittings
AF2600VH	A/C - Oval	# 6 - # 10 Male O'ring
AF2800VH	A/C - Oval	# 8 - # 10 Male O'ring
AF2680VH	A/C - Oval	# 6 - # 8 Male O'ring
ST4216VH	A/C - Oval	# 6 - # 10 Male O'ring
AF2000VH	Heater - Oval	# 10 - # 10 Male O'ring



Polished Receiver Drier & Reservoir Tank

Part No.	Description
RD7330VH	FDR with Replaceable desiccant cartridge

Coolant Recovery Reservoirs

Note: Brackets sold separately

Part No.	Size
CH8000VH	57mm x 127mm
CH8001VH	57mm x 330mm
CH8007VH	1.42 L
CH8008VH	1.9 L
CH8009VH	Bracket to suit





Hose & Fittings

Braided Stainless Steel Aeroquip Hose & Fittings


- Designed specifically for A/C applications
- Nylon tube covered with fine braid of stainless steel
- Nickel plated reusable steel fittings
- Charge ports available on fittings
- Female O'ring pilot terminal ends for precise connection with existing components
- O'ring seal between the hose and fitting nipple increases fitting and hose assembly integrity


Part No.	Size	Length
FH6906VH	# 6	1.8 mtrs / 6ft
FH6908VH	# 8	1.8 mtrs / 6ft
FH6910VH	# 10	1.8 mtrs / 6ft




A/C Hose Fittings

Female O'ring Straight - Aeroquip


	Part No.	Material	Fitting Info.	Fitting Size	Hose Size
	ST1301VH	Steel	5/8" - 18	# 6	# 6
	ST1302VH	Steel	3/4" - 16	# 8	# 8
	ST1303VH	Steel	7/8" - 14	# 10	# 10


	R134a Service Valve				
	ST1301-3VH	Steel	5/8" - 18	# 6	# 6
	ST1302-3VH	Steel	3/4" - 16	# 8	# 8
	ST1303-3VH	Steel	7/8" - 14	# 10	# 10

Female O'ring 45° - Aeroquip


	Part No.	Material	Fitting Info.	Fitting Size	Hose Size
	ST1311VH	Steel	5/8" - 18	# 6	# 6
	ST1312VH	Steel	3/4" - 16	# 8	# 8
	ST1313VH	Steel	7/8" - 14	# 10	# 10

Female O'ring 90° - Aeroquip

	Part No.	Material	Fitting Info.	Fitting Size	Hose Size
	ST1321VH	Steel	5/8" - 18	# 6	# 6
	ST1322VH	Steel	3/4" - 16	# 8	# 8
	ST1323VH	Steel	7/8" - 14	# 10	# 10

	R134a Service Valve				
	ST1321-3VH	Steel	5/8" - 18	# 6	# 6
	ST1322-3VH	Steel	3/4" - 16	# 8	# 8
	ST1323-3VH	Steel	7/8" - 14	# 10	# 10

Female O'ring 135° - Aeroquip

	Part No.	Material	Fitting Info.	Fitting Size	Hose Size
	ST1932VH	Steel	3/4" - 16	# 8	# 8



TO5901

Ariazone 901 Semi Automatic Charging Station

Description

This is the smallest and lightest weight charging station on the market. At 29Kg this station is light enough to be portable. This unit can be configured for either 11kg or 22kg cylinders.

Features

- Manual override option
- Oil Injection
- 11Kg Refrigerant cylinder
- Thermal Protection



ariazone

Technical Specifications

Vacuum Pump: 57 L/min (1.5CFM)
Load Cell: 60Kg with 150% overload capacity
Recovery Rate: 220g/min (liquid state)

Dimensions:

Height: 460mm
Width: 440mm
Depth: 380mm
Weight: 29Kg

TO5020

Ariazone 500-1 H/D Semi Automatic Charging Station

Description

If you are looking for the best value for money, full A/C service system on the market, look no further. This particular model 5001 incorporates all of Ariazone's quality and reliability and at a very low cost. Easy operation and full electronic function control gives you less down time and more money in your pocket.

Features

- Manual override option
- Oil Injection
- 11Kg Refrigerant cylinder
- Thermal Protection



ariazone

Technical Specifications

Vacuum Pump: 100 L/min (3.5CFM)
Load Cell: 60Kg with 150% overload capacity
Recovery Rate: 360g/min (liquid state)

Dimensions:

Height: 1090mm
Width: 620mm
Depth: 600mm
Weight: 70Kg

TO5029

Ariazone 500-1P H/D Semi Automatic Charging Station

Description

If you are looking for the best value for money, full A/C service system on the market, look no further. This particular model 5001 incorporates all of Ariazone's quality and reliability and at a very low cost. Easy operation and full electronic function control gives you less down time and more money in your pocket.

Features

- Manual override option
- Oil Injection
- 11Kg Refrigerant cylinder
- Thermal Protection
- Includes Thermal Printer



ariazone

Technical Specifications

Vacuum Pump: 100 L/min (3.5CFM)
Load Cell: 60Kg with 150% overload capacity
Recovery Rate: 360g/min (liquid state)

Dimensions:

Height: 1090mm
Width: 620mm
Depth: 600mm
Weight: 70Kg

TO5033

Ariazone 5001 Fully Automatic Charging Station

Description

Fully automatic unit suitable for servicing passenger, light commercial vehicles including trucks and mini buses A/C systems. Simple dashboard (four arrows, plus "start" and "stop" button) allows quick navigation through the menu in various languages upon selection. An on-board database with over 1500 car and truck references allows the user to find proper charging weights and lubricant types. Easy connection to a PC or laptop by USB port. Refrigerant management software allows monitoring of total amount of refrigerant recovered or charged. The complete procedure is printed for future reference.

Features

- Manual override option
- Automatic oil & dye injection
- 22Kg Refrigerant cylinder
- Thermal printer
- Includes vehicle database



ariazone

Technical Specifications

Vacuum Pump: 100 L/min (3.5CFM)
Load Cell: 60Kg with 150% overload capacity
Recovery Rate: 360g/min (liquid state)

Dimensions:

Height: 1090mm
Width: 580mm
Depth: 620mm
Weight: 85Kg

TO5060

Ariazone 6001 Fully Automatic Charging Station

Description

This system is suitable for current automotive refrigerants and adaptable to future generation refrigerants. Adapting new generation electronic intelligence for function control and interfacing with OBD, PC, laptop and wireless and blue tooth communication. Additional features include - Electronic control of liquid to recovery pump under all conditions, self test and fault diagnostics, air conditioning system performance testing, wireless temperature sensors, large colour touch screen with function icons and large LCD display for suction/discharge pressure. The complete procedure is printed for future reference.

Features

- Manual override option
- Automatic oil & dye injection
- 22Kg Refrigerant cylinder
- Thermal printer
- Includes vehicle database



ariazone

Technical Specifications

Vacuum Pump: 168 L/min (6CFM)
Load Cell: 60Kg with 150% overload capacity
Recovery Rate: 600g/min (liquid state)
Weight: 100Kg

TO8002

Ariazone 8001 Commercial Charging Station

Description

The 8001 is a very user friendly tool for diagnosing and servicing large capacity air conditioning systems, such as large bus or rail systems.

Features

- Manual override option
- Automatic oil & dye injection
- 45Kg Refrigerant cylinder
- Thermal printer
- Includes vehicle database



ariazone

Technical Specifications

Vacuum Pump: 168 L/min (6CFM)
Recovery Rate: 1200g/min (liquid state)

Dimensions:

Height: 1190mm
Width: 660mm
Depth: 840mm
Weight: 166Kg

TO9810

Robinair 34988I Fully Automatic Charging Station

Description

This unit flushes all internal lines to ensure there is no contamination when changing from servicing a Hybrid vehicle to a standard vehicle. This makes for safe and hassle free operation.

Features

- Manual override option
- Automatic oil & dye injection
- 14Kg Refrigerant cylinder
- Thermal printer
- Internal flush operation
- Gas cylinder warming blanket
- 22Kg cylinder auto refill
- Optional comprehensive vehicle database
- Operator code



Technical Specifications

Vacuum Pump: 71 L/min (3CFM)
Recovery Rate: 360g/min (liquid state)

Dimensions:

Height: 1430mm
Width: 915mm
Depth: 609mm
Weight: 108Kg

TO9890

Robinair AC1234-7 (HFO-1234yf) Fully Automatic Charging Station

Description

This unit flushes all internal lines to ensure there is no contamination when changing from servicing a Hybrid vehicle to a standard vehicle. This makes for safe and hassle free operation.

Features

- Manual override option
- Automatic oil & dye injection
- 10Kg Refrigerant cylinder
- Thermal printer
- Internal flush operation
- Gas cylinder warming blanket
- Automatic internal tank refill
- Basic database
- Operator code
- Fully SAE compliant (SAE2844, 2099, 2788)



Technical Specifications

Vacuum Pump: 170 L/min (6CFM)
Recovery Rate: 70Kg/min (liquid state)

TO9816

Robinair 34788I Semi Automatic Charging Station

Description

This unit flushes all internal lines to ensure there is no contamination when changing from servicing a Hybrid vehicle to a standard vehicle. This makes for safe and hassle free operation.

Features

- Manual oil & dye injection
- Internal flush operation
- 14Kg Refrigerant cylinder
- Gas cylinder warming blanket
- Optional vehicle database



Technical Specifications

Vacuum Pump: 71 L/min (3CFM)
Recovery Rate: 360g/min (liquid state)

Dimensions:

Height: 1270mm
Width: 834mm
Depth: 584mm
Weight: 107Kg



TO3260

CPS Compact Charging Station

Description

Ideal for mobile vans, as all components are carried within a manageable lightweight frame with compact dimensions for ease of use. Manual, easy to use and portable.

Features

- Sturdy powder coated portable trolley

Technical Specifications

Vacuum Pump: 52 L/min (1.8CFM)

Scale Capacity: 100Kg



CPS Charging Stations

TO3210-1 48 L/min vacuum pump

TO3210 96 L/min vacuum pump

TO3210-2 144 L/min vacuum pump

Description

Ideal for the Workshop. All components are carried within a lightweight frame. Reduces the requirement for individual components

Features

- 4 way manifold with 72" hoses and couplers
- Sturdy powder coated portable trolley

Technical Specifications

Scale Capacity: 100Kg



Robinair Charging Stations

TO3205 35 L/min vacuum pump

TO3206 71 L/min vacuum pump

TO3207 118 L/min vacuum pump

Description

Ideal for the Workshop. All components are carried within a lightweight frame. Reduces the requirement for individual components

Features

- R134a 4 way manifold set with 72" hoses and couplers
- Sturdy powder coated portable trolley

Technical Specifications

Scale Capacity: 100Kg



TO0400

CPS ProSet Recovery Machine with Oil Separator

Recovers all commonly used CFC, HFC, HCFC Refrigerants (including Puron® R-410a)
Suitable to recover both liquid and vapour

Features

Heavy duty oil filled compressor
Includes Oil Separator

Technical Specifications

Direct Liquid Recovery: 19.8Kg/hr
Safety Switch Cut Off: 550 Psi
Weight: 12.6Kg
Power Source: 220-240V 50Hz

Internal Filter: TO3228

Fan Blade: TO4909

High Pressure Switch: TO3266



cps®

TO3221

CPS ProSet Recovery Machine

Recovers all commonly used CFC, HFC, HCFC Refrigerants (including Puron® R-410a)
Suitable to recover both liquid and vapour

Features

Maintenance free oil-less compressor
Self clearing valve

Technical Specifications

Direct Liquid Recovery: 70Kg/hr
Safety Switch Cut Off: 550 Psi
Weight: 9Kg
Power Source: 220-240V 50Hz

Internal Filter: TO3228

Fan Blade: TO4909

High Pressure Switch: TO3266



cps®

TOR700

CPS ProSet Recovery Machine

Recovers all commonly used CFC, HFC, HCFC Refrigerants (including Puron® R-410a)
Suitable to recover both liquid and vapour

Features

Powerful 1hp oil-less reciprocating compressor

Technical Specifications

Direct Liquid Recovery: 161Kg/hr
Safety Switch Cut Off: 550 Psi
Weight: 16.2Kg
Power Source: 220-240V 50Hz

Filter: TO3227



cps®

TO4021

CPS TR21E Recovery Machine

The most advanced and quickest recovery unit available on the market. Recovers all commonly used CFC, HFC, HCFC Refrigerants (including Puron® R-410a)
Suitable to recover both liquid and vapour

Features

High speed 1 hp twin cylinder compressor.
Thermally Protected Motor

Technical Specifications

Liquid Recovery: 240Kg/hr
Direct Vapour Recovery: 67Kg/hr
Weight: 11.2Kg
Power Source: 220-240V 50Hz



cps®

TO9801

Robinair Minimax-RA Recovery Machine with Oil Separator

Recovers all commonly used CFC, HFC, HCFC Refrigerants (including Puron® R-410a) The MINIMAX-RA comes complete with an oil separation system. The unit is designed specifically for automotive applications. During the recovery of refrigerant, oil is separated and can be measured. This allows the technician the ability to accurately access the quantity of oil to be put back into the system. The separator can also be bypassed when required. Suitable to recover both liquid and vapour

Features

1/2 hp Direct Drive AC Brushless Motor. Proprietary "Oil-less" compressor capable of handling both liquid and vapour
Includes Oil Separator

Technical Specifications

Direct Liquid Recovery: 90Kg/hr
Safety Switch Cut Off: 550 Psi
Weight: 12.7Kg
Power Source: 220-240V 50Hz

Filter: TO1742
Oil Separator: TO4915
High Pressure Switch: TO9829



ROBINAIR
AN SPX BRAND

TO6014

Ariazone 601HD Recovery & Recycle Machine with Oil Separator

Recovers all commonly used CFC, HFC, HCFC Refrigerants (including Puron® R-410a). A lightweight, durable recovery/recycle unit ideal for the mobile specialist or small workshop professional. Featuring a large recovery pump, large capacity oil separator heat exchanger, condenser coil and fan to increase recovery rate. Additional features - suction & discharge gauges, liquid control device, high pressure cut out, large capacity filter and complete recovery cut out. The 601 is a smart investment. Suitable to recover both liquid and vapour

Features

5 cm³, 150 watt High volume pump with liquid & thermal protection
Zero system pressure cut out switch
Includes Oil Separator

Technical Specifications

Vapour Recovery Rate: 180gm/min
Weight: 13.5Kg
Power Source: 220-240V 50Hz



ariazone

TO4022

CPS TRA21E Recovery & Recycle Machine with Oil Separator

The most advanced and quickest recovery unit available on the market. Recovers all commonly used CFC, HFC, HCFC Refrigerants (including Puron® R-410a). Suitable to recover both liquid and vapour. Recycles gas in a single pass.

Features

High speed 1 hp twin cylinder compressor.
Includes Oil Separator
Thermally Protected Motor
Protective heavy duty roll cage

Technical Specifications

Liquid Recovery: 240Kg/hr
Direct Vapour Recovery: 67Kg/hr
High Pressure Shut Off: 525 Psi
Weight: 14.6Kg
Power Source: 220-240V 50Hz



cps[®]

TO3203

CPS AR500E Recovery & Recycle Machine

Recovers all commonly used CFC, HFC, HCFC Refrigerants (including Puron® R-410a). Suitable to recover both liquid and vapour. Recycles gas in a single pass.

Features

Maintenance free oil-less compressor

Technical Specifications

Direct Liquid Recovery: 70Kg/hr
Weight: 11Kg
Power Source: 220-240V 50Hz

Filter: TO3229
Fan Blade: TO4909
High Pressure Switch: TO3266



cps[®]

TO9802

Robinair Minimax-RR Recovery & Recycle Machine with Oil Separator

Recovers all commonly used CFC, HFC, HCFC Refrigerants (including Puron® R-410a). The MINIMAX-RR is ideal for the busy workshop or mobile service vans. The Recycler is detachable enabling the technician to recover refrigerant from multiple systems and then recycle for re-use. Suitable to recover both liquid and vapour

Features

1/2 hp Direct Drive AC Brushless Motor. Proprietary "Oil-less" compressor capable of handling both liquid and vapour.
Self purge feature
Includes Oil Separator
Includes: 22kg Recovery Cylinder, Manifold set, Filter and hoses

Technical Specifications

Direct Liquid Recovery: 90Kg/hr
Safety Switch Cut Off: 550 Psi
Weight: 12.7Kg
Power Source: 220-240V 50Hz

Filter: TO1742 and TO1743
Oil Separator: TO4915
High Pressure Switch: TO9829



TO0054

Refrigerant Identifier with Printer

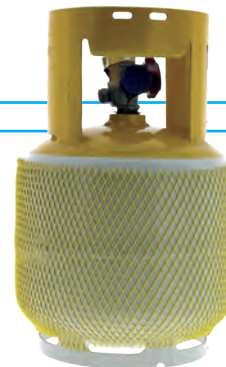
Unit will identify R12, R134a, HFO-1234yf, R22 hydrocarbons and air.
12-15V power requirement
Resolution 0.1%
Ergonomically designed case

Filter to Suit: TO0059
Battery Pack to suit: TO0058



TO400T

22Kg Twin Tap Recovery Cylinder



TO0061

Mini-ID Refrigerant Identifier

Basic R134a identifier. Simple to use. Provides a Pass or Fail result

Filter to suit: TO0062



TO7184

CPS Compact Vacuum Pump 48 L/min

2 stage operation - provides a high evacuation level and faster evacuation times

Features

Oil drain port - for easy vacuum pump oil maintenance

Technical Specifications

Capacity: 48 L/min (2CFM)

Micron Rating: 15

Motor Size: 1/4hp

Fitting: 1/4" SAE x 1/2" ACME x 3/8" SAE adaptor

Oil Capacity: 350ml

Weight: 5.5Kg

Base Plate: TO7186

Handle: TO7187

Oil Fill Plug: TO7183



cps[®]

TO7193

CPS Vacuum Pump 48 L/min

2 stage operation - provides a high evacuation level and faster evacuation times

Features

Oil drain port - for easy vacuum pump oil maintenance

Technical Specifications

Capacity: 48 L/min (2CFM)

Micron Rating: 15

Motor Size: 1/4hp

Fitting: 1/4" SAE x 1/2" ACME x 3/8" SAE adaptor

Oil Capacity: 350ml

Weight: 8Kg

Base Plate: TO7186

Handle: TO7185

Oil Fill Plug: TO7183



cps[®]

TO7194

CPS Vacuum Pump 96 L/min

2 stage operation - provides a high evacuation level and faster evacuation times

Features

Oil drain port - for easy vacuum pump oil maintenance

Technical Specifications

Capacity: 96 L/min (4CFM)

Micron Rating: 15

Motor Size: 1/3hp

Fitting: 1/4" SAE x 1/2" ACME x 3/8" SAE adaptor

Oil Capacity: 400ml

Weight: 10Kg

Base Plate: TO7186

Handle: TO7185

Oil Fill Plug: TO7183



cps[®]

TO7195

CPS Vacuum Pump 144 L/min

2 stage operation - provides a high evacuation level and faster evacuation times

Features

Oil drain port - for easy vacuum pump oil maintenance

Technical Specifications

Capacity: 144 L/min (6CFM)

Micron Rating: 15

Motor Size: 1/2hp

Fitting: 1/4" SAE x 1/2" ACME x 3/8" SAE adaptor

Oil Capacity: 400ml

Weight: 10.2Kg

Base Plate: TO7186

Handle: TO7185

Oil Fill Plug: TO7183



cps[®]



TO9906

ACME Compact Vacuum Pump 48 L/min

2 stage operation - provides a high evacuation level and faster evacuation times

Features

Oil drain port - for easy vacuum pump oil maintenance

Technical Specifications

Capacity: 48 L/min (1.9CFM)

Micron Rating: 15

Motor Size: 1/4hp

Fitting: 1/4" SAE

Oil Capacity: 350ml

Weight: 5Kg



TO9900

ACME Vacuum Pump 48 L/min

2 stage operation - provides a high evacuation level and faster evacuation times

Features

Oil drain port - for easy vacuum pump oil maintenance

Technical Specifications

Capacity: 48 L/min (1.9CFM)

Micron Rating: 15

Motor Size: 1/4hp

Fitting: 1/4" SAE

Oil Capacity: 350ml

Weight: 6.1Kg



TO9901

ACME Vacuum Pump 96 L/min

2 stage operation - provides a high evacuation level and faster evacuation times

Features

Oil drain port - for easy vacuum pump oil maintenance

Technical Specifications

Capacity: 96 L/min (4CFM)

Micron Rating: 15

Motor Size: 1/3hp

Fitting: 1/4" SAE

Oil Capacity: 450ml

Weight: 8.2Kg



TO9905

ACME Vacuum Pump 144 L/min

2 stage operation - provides a high evacuation level and faster evacuation times

Features

Oil drain port - for easy vacuum pump oil maintenance

Technical Specifications

Capacity: 144 L/min (6CFM)

Micron Rating: 15

Motor Size: 1/2hp

Fitting: 1/4" SAE

Oil Capacity: 450ml

Weight: 10.2Kg



TO9805

Robinair Vacuum Pump 35 L/min

2 stage operation - provides a high evacuation level and faster evacuation times

Features

Oil drain port - for easy vacuum pump oil maintenance

Technical Specifications

Capacity: 35 L/min (1.5CFM)

Micron Rating: 25

Motor Size: 1/4hp

Fitting: 1/4" SAE x 1/2" ACME x 3/8" SAE adaptor

Oil Capacity: 210ml

Weight: 8.2Kg

Base Plate: TO3198

Handle and switch: TO3192

Oil Fill Plug: TO5372



TO9806

Robinair Vacuum Pump 71 L/min

2 stage operation - provides a high evacuation level and faster evacuation times

Features

Oil drain port - for easy vacuum pump oil maintenance

Technical Specifications

Capacity: 71 L/min (3CFM)

Micron Rating: 25

Motor Size: 1/3hp

Fitting: 1/4" SAE x 1/2" ACME x 3/8" SAE adaptor

Oil Capacity: 300ml

Weight: 9.8Kg

Base Plate: TO3198

Handle and switch: TO3192

Oil Fill Plug: TO5372



TO9807

Robinair Vacuum Pump 118 L/min

2 stage operation - provides a high evacuation level and faster evacuation times

Features

Oil drain port - for easy vacuum pump oil maintenance

Technical Specifications

Capacity: 118 L/min (5CFM)

Micron Rating: 25

Motor Size: 1/2hp

Fitting: 1/4" SAE x 1/2" ACME x 3/8" SAE adaptor

Oil Capacity: 300ml

Weight: 10.5Kg

Base Plate: TO3198

Handle and switch: TO3192

Oil Fill Plug: TO5372



TO0102

CPS Digital Vacuum Gauge with carry case & adaptor

Features

- Continual digital readout
- Automatic compensation for ambient changes
- 30hr battery life with 9v Alkaline battery
- 5 digit LCD
- Handy carry pouch



OG7026

Vacuum Pump Oil - 470ml

OG7027

Vacuum Pump Oil - 946ml



cps[®]

OG7028

Vacuum Pump Oil - 3.78L



cps[®]

CoolDrive
**Technical
advice**



Vacuum pump routine maintenance



It is recommended that the Vacuum pump oil be changed after a maximum 50 hours of usage. It is also recommended that if the colour of the oil changes before this time or the systems worked on have been contaminated or subject to moisture change the oil. The purity of the oil will determine the final vacuum level achieved.



Oil change procedures: 1. Make sure the pump is warm, 2. Disconnect the mains power, 3. Remove the oil drain cap and drain the contaminated oil into a suitable container. Tilt the vacuum towards the the oil drain port, 4. Once all the oil has been drained, re-secure the oil drain cap, 5. Remove the oil fill cap and add oil until it is seen in the middle of the oil sight glass. Re-secure the oil fill cap.

TOOLS VACUUM PUMP OIL

TO7006**CPS Manual Charging Scales****Technical Features**

100 Kg Capacity
Remote with 1.8m (6 ft) Cord
60hr battery life (2 batteries)



cps[®]

TO9808**Robinair Manual Charging Scales****Technical Features**

100 Kg Capacity
Remote with 1.8m (6 ft) Cord
60hr battery life (2 batteries)



ROBINAIR[®]
AN SPX BRAND

TO7840**CPS Programmable Charging Scales**

COMPUTE-A-CHARGE[®] 110kg Wireless Programmable Electronic Scale. CPS[®] Products proudly introduces its new line of wireless RF (radio frequency) controlled charging scales, which includes the industries first fully automatic programmable RF controlled unit. Wireless RF technology operates in the international ISM band for worldwide use. World's first battery operated wireless programmable charging scale. Best in class accuracy of 0.05% of reading. Powerful 2.4GHz wireless technology for a generous operation range of 9m. Remotely controlled scale platform eliminates clutter. Advanced communication software ensures uninterrupted connectivity between hand held display unit and scale platform. All controlling functions are located in the hand held display unit which also incorporates provisions for use with hanging hook and is magnetically backed for attachment to metal surfaces. The Integrated solenoid charging valve is rated for R410A for fully automatic programmable operation with virtually any refrigerant

Technical Features

R/F Wireless Controller
110 Kg capacity, with 10g accuracy
8 digit hand held remote with 1.8m coil cord
Hanging hook & magnet for attaching to metal surfaces



cps[®]

TO3817
CPS A/C Flush Machine

Features

- Powered by Workshop Air
- Pressure capacity regulator 100psi
- Compressed air inlet
- Set of hoses and adaptors
- Easy access plastic filter
- Tank Capacity 8L



TO9023
CPS Flush Gun and Tank

Features

- Includes pressure regulator to reduce high pressure issues.
- An economical means of flushing contaminants and scale from A/C system components.
- Uses compressed air to propel flush solvent.

CPS Probe Tip replacement: TO1568



TO9811
Robinair Flush Kit

- An economical means of flushing contaminants and scale from A/C system components
- Uses compressed air to propel the solvent.



TO3970
Flushing Adaptor Kit

Features

- 52 flush adaptors for all airconditioning systems.



OG1011
CPS Pro Flush

- CPS Pro Flush is used for cleaning by flushing, internal components of automotive airconditioning systems.
- It may also be used for cleaning parts by immersion.
- Pro Flush is compatible with system components and seals.

5 Litre



OG1396
Evaporator Cleaner

- Exclusive foaming action washes out harmful agents that cause odour.
- This product is a cleaner, not a deodouriser!

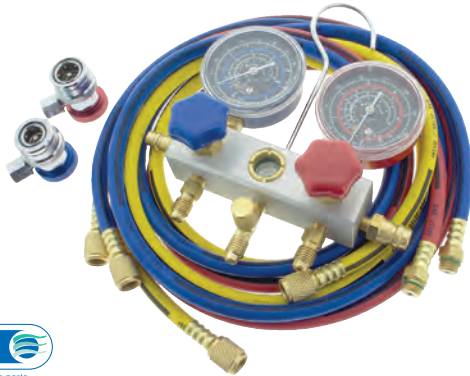


TO0001

Jayair R134a Manifold Gauge Set

Features

- 1/2" ACME fittings
- Aluminium manifold
- 63mm Gauges
- 72" hoses and couplers
- Supplied in a plastic carry case



TO0006

Jayair Illuminated R134a Manifold Gauge Set

Features

- 1/2" ACME fittings
- Aluminium manifold
- 63mm Gauges
- 72" hoses and couplers
- Illuminated with back light

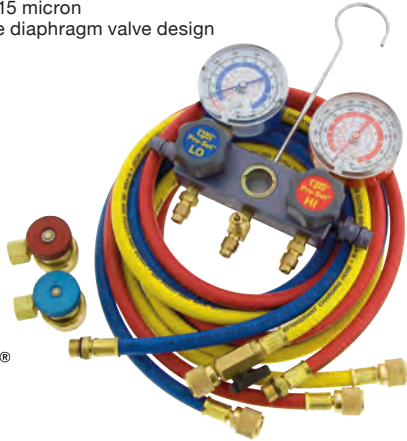


TO1540

CPS Proset R134a Manifold Gauge Set

Features

- Aluminium manifold
- 63mm Gauges
- 72" hoses and couplers
- Vacuum rated to 15 micron
- Advanced 1 piece diaphragm valve design



TO1623

CPS Proset R404a Manifold Gauge Set without Hoses

Features

- 1/4" SAE fittings
- Aluminium manifold
- 63mm Gauges

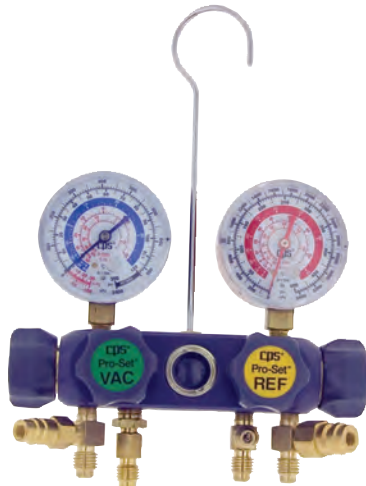


TO1548

CPS Proset R134a Manifold Gauge Set without Hoses

Features

- 1/2" ACME fittings
- 4 Valve
- Aluminium manifold
- 63mm Gauges



TO1549

CPS Proset R134a Manifold Gauge Set

Features

- 1/4" SAE fittings
- Aluminium manifold
- 63mm Gauges
- 72" hoses and couplers





TO1571

CPS Proset R134a Manifold Gauge Set without Hoses

- Features**
 1/4" SAE fittings
 4 Valve
 Aluminium manifc
 63mm Gauges



cps

TO1574

CPS Workingman Series R134a Manifold Gauge Set

- Features**
 1/2" ACME fittings
 Aluminium manifold
 80mm Gauges
 Rubber gauge protectors
 72" hoses and couplers
 Vacuum rated to 15 micron
 Advanced 1 piece diaphragm valve design



cps

TO1577

CPS Workingman Series HFO-1234yf Manifold Gauge Set

- Features**
 14mm Female fittings
 Aluminium manifold
 80mm Gauges
 Rubber gauge protectors
 72" hoses and couplers
 Vacuum rated to 15 micron
 Advanced 1 piece diaphragm valve design



cps

TO1550

CPS Black Max R134a Manifold Gauge Set

- Features**
 Aluminium manifold
 68mm Gauges
 72" hoses and couplers



cps

TO1551

CPS Black Max R134a Manifold Gauge Set without Hoses

- Features**
 1/2" ACME fittings
 Aluminium manifold
 68mm Gauges



cps

TO1622

CPS Black Max R134a Manifold Gauge Set without Hoses

- Features**
 1/4" SAE fittings
 Aluminium manifold
 63mm Gauges



cps

TO9803

Robinair R134a Manifold Set

Features

- 1/2" ACME fittings
- Brass manifold
- 68mm Gauges
- 72" hoses and couplers



ROBINAIR
AN SPX BRAND

TO9820

Robinair R134a Manifold Set

Features

- 1/2" ACME fittings
- Aluminium manifold
- 68mm Gauges
- 72" hoses and couplers



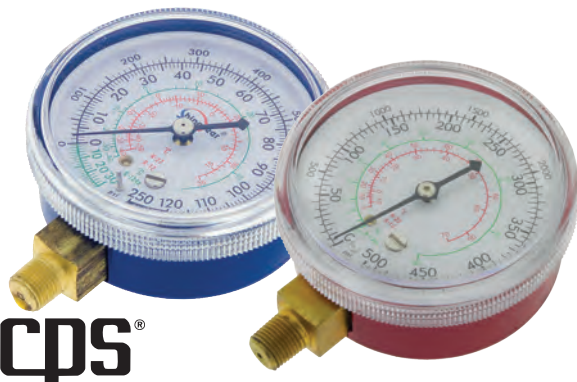
ROBINAIR
AN SPX BRAND

TO2250

CPS R12 Low Side Compound Gauge
Suitable for most R12 manifolds

TO2500

CPS R12 High Side Compound Gauge
Suitable for most R12 manifolds



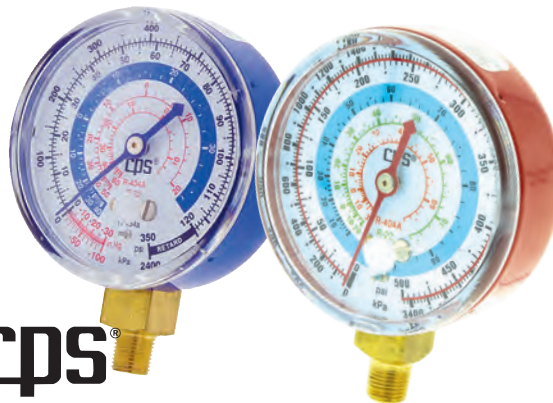
cps

TO4210

CPS R134a Low Side Compound Gauge
Suitable for most R134a manifolds (63mm)

TO4211

CPS R134a High Side Compound Gauge
Suitable for most R134a manifolds (63mm)



cps

TO4215

CPS R134a Low Side Compound Gauge
Suitable for most R134a manifolds (80mm)

TO4214

CPS R134a High Side Compound Gauge
Suitable for most R134a manifolds (80mm)



cps

TO5200
Gauge Lens

Screw on - 63mm



cps

TO0052
Manifold Handwheel Set

Replacement handwheels for CPS manifolds



cps

TO0449
Manifold Handwheel Set

Replacement handwheels for Robinair manifolds



ROBINAIR
AN SPX BRAND

TO1205
CPS ProSet Manifold Repair Kit

To suit 2 valve manifolds



cps

TO1602
Rubber Gauge Protector Set

Red & Blue to suit 63mm gauges



cps

TO1552
Piston Valve Assembly

To suit Black Max manifold



cps

TO1553
Piston Valve O'ring Kit

To suit Black Max manifold



cps

TO1554
Universal Carry Case

Suitable for manifold gauges, etc



cps

TO9851
Manifold Wheel Set

To suit Robinair brass manifold set



TO4565
R134a High Side Charge Coupler

Low profile
High quality
Female ACME fitting
50mm overall height
Made in USA



TO4566
R134a Low Side Charge Coupler

Low profile
High quality
Female ACME fitting
50mm overall height
Made in USA



TO4567
R134a Low Side Charge Coupler

Female ACME fitting
R134a low profile coupler



TO4568
R134a High Side Charge Coupler

Female ACME fitting
R134a low profile coupler



TO2705
R134a High Side Charge Coupler

1/4" male flare fitting
High quality
Made in USA



TO2706
R134a Low Side Charge Coupler

1/4" male flare fitting
High quality
Made in USA



TO1524
R134a Coupler Repair Kit

Aeroquip Style



TO136Y
R12 Charge Hose - Yellow

Length:
900mm (36")
Fittings:
1/4" x 1/4" SAE



TO172B
R12 Charge Hose - Blue

Length:
1800mm (72")
Fittings:
1/4" x 1/4" SAE



TO172R
R12 Charge Hose - Red

Length:
1800mm (72")
Fittings:
1/4" x 1/4" SAE



TO172Y
R12 Charge Hose - Yellow

Length:
1800mm (72")
Fittings:
1/4" x 1/4" SAE



TO236B
R134a Charge Hose - Blue

Length:
900mm (36")
Fittings:
14mm x 1/2" ACME



TO236R
R134a Charge Hose - Red

Length:
900mm (36")
Fittings:
14mm x 1/2" ACME



TO236Y
R134a Charge Hose - Yellow

Length:
900mm (36")
Fittings:
1/2" x 1/2" ACME
With Ball Valve



TO272B
R134a Charge Hose - Blue

Length:
1800mm (72")
Fittings:
14mm x 1/2" ACME



TO272R
R134a Charge Hose - Red

Length:
1800mm (72")
Fittings:
14mm x 1/2" ACME



cps®

TO272Y
R134a Charge Hose - Yellow

Length:
1800mm (72")
Fittings:
1/2" x 1/2" ACME
With Ball Valve



cps®

TO0677
Charge Hose Rubber Seals

To suit 3/16" hose fitting
Pack of 10

TO1009
Charge Hose Rubber Seals

To suit 1/4" hose fitting
Pack of 10



cps®

TO1016
Charge Hose Rubber Seals

To suit 1/2" ACME hose fitting
Pack of 10



cps®

TO1027
Charge Hose Teflon Seal

To suit 1/4" hose fitting
Each



TO1316
Charge Hose Depressor

To suit 1/4" hose fitting
Pack of 10



cps®

TO7104
Charge Hose Connector

1/4" x 1/4" MF suits 1/4" hose



TO1538
1/2" ACME Plastic Cap

With Straps
Pack of 6



cps®

TO1000
Cylinder Adaptor - R12

Includes fibre sealing washer

TO1544
Cylinder Adaptor - R134a

Includes fibre sealing washer



cps®

TO1001
1/4" SAE - 1/2" ACME Adaptor

Converts standard 1/4" male flare to 1/2" ACME male
Includes schrader valve



cps®

TO1545
Fibre Sealing Washer

Cylinder adaptor washer
Suits TO1000 & TO1544



cps®

TO1557
1/2" ACME - 1/4" SAE Adaptor

Converts 1/2" ACME male to standard 1/4" male flare



automotive air conditioning parts

TO4003
CPS Ball Valve Tap

1/2" ACME fittings



cps®

TO4010
R12 Charging Port Adaptor

1/4" SAE x 1/8" MNPT
Includes schrader valve & dust cap



automotive air conditioning parts

TO4015
Gas Thread to 1/4" SAE Adaptor

Includes schrader valve & dust cap



automotive air conditioning parts

TO4908
Anti - Siphon Valve Kit

1/4", to suit CPS vacuum pumps



cps®

TO0380
CPS Ball Valve Tap

1/4" SAE fittings



cps

TO0469
3/16" R12 Charge Hose Adaptor

Suits Toyota & Ford high pressure side



cps

TO1010
1/4" R12 Charge Hose Adaptor

Includes schrader valve



Jayair
automotive air conditioning parts

TO1206
CPS Ball Valve Handle

Suits TO4003 & TO0380



cps

TO1539
1/2" ACME Brass Cap



Jayair
automotive air conditioning parts

TO1546
Metric - 1/2" ACME Adaptor

Converts Metric M10 x 1.5 to 1/2" Female ACME



Jayair
automotive air conditioning parts

TO1556
1/2" ACME - R134a Low Side Service Port Adaptor



Jayair
automotive air conditioning parts



TO1563

CPS Nitrogen Leak Test Kit

Nitrogen test manifold with 0-200 psi gauge and hoses

Technical Specifications

- 6' red service hose with R134a high side coupler
- 25' coiled air hose
- Includes regulator with female fitting



TO0780

CPS LS780B Leak Detector

Detects all CFC, HCFC & HFC refrigerants

Technical Specifications

- Sensitivity to 10gm/year
- Simple operation with Hi/Lo sensitivity settings
- Single hand operation with 18" metal probe
- Visible and Audible alarm
- 40hr battery life (Alkaline)



TO0790

CPS LS790B Leak Detector

Detects all CFC, HCFC & HFC refrigerants

Technical Specifications

- Sensitivity to 10gm/year
- Patented Ion pump for fast response time
- Patented selective filter housing eliminates false alarms
- Improved power, filtering & sensitivity circuits
- Lock out feature pinpoints leak source
- Patented water vapour filter



TO3282

CPS LS1 Leak Detector

Suitable for detecting HFO-1234yf and all CFC, HCFC & HFC refrigerants

Technical Specifications

- Sensitivity to 3gm/year
- E_MOS Detection Technology
- 500hr sensor life
- Highly resistant to background contaminants
- Two audible alarms
- 50hr battery life (Alkaline)



TO3287

CPS LDA1000 Leak Detector

Suitable for detecting HFO-1234yf and all CFC, HCFC & HFC refrigerants

Technical Specifications

- Sensitivity to 3gm/year
- E_MOS Detection Technology
- 500hr sensor life
- Highly resistant to background contaminants
- Two audible alarms
- Cold cathode diode sensor technology
- 50hr battery life (Alkaline)



TO3216

CPS LS3000 Eliminator Leak Detector

Detects all CFC, HCFC & HFC refrigerants

Technical Specifications

- Sensitivity to 3gm/year
- Highly resistant to background contaminants
- Two audible alarms
- Cold cathode diode sensor technology
- 75hr battery life (Alkaline)



TO9804

Robinair RX-1A Leak Detector

Detects all CFC, HCFC & HFC refrigerants

Technical Specifications

Sensitivity to 7gm/year
 Visual Leak Indication Levels: 6 (single colour)
 Sensitivity Levels: 2
 One touch Reset
 Battery life approx. 30hrs



TO9812

Robinair XP-1A Leak Detector

Detects all CFC, HCFC & HFC refrigerants

Technical Specifications

Sensitivity to 3gm/year
 Visual Leak Indication Levels: 18 (tri-colour)
 Sensitivity Levels: 7
 One touch Reset
 Battery life approx. 30hrs



TO5300

Mastercool Inspector - UV Blue Light Leak Detector

Electronic & UV can be used simultaneously

Technical Specifications

Sensitivity to 3gm/year
 6 sensitivity levels & 15 levels of detection
 Restart function
 Battery test
 UV dye injector
 120ml dye cleaner



TO0783

Ion Pump Sensor

Suits TO0780 & TO0790



TO3218

Selective Filter Housing

Suits TO0780 & TO0790



TO1301

Tracermax UV Blue LED Lamp

12V, 50W Globe
 4.3m Lead



TO8640

Optimax Jr. Fluoro Lamp

75W Globe
Requires 3 AAA Batteries

UV Safety Glasses: TO9945



TO8681

Optimax 3000 LED Fluoro Torch

Rechargeable NiCAD
15 times brighter than a standard lamp

Charger to suit: TO8696
LED Bulb: TO8683



TO8034

Universal Fluoro Dye

Ideal for R134a &
HFO-1234yf systems.
237ml



TO8030

Dye Injector

Suits R12 & R134a



TO8621

UV Leak Detection Kit

Dye suitable for R134a & HFO-1234yf
systems. Contains cordless torch
and UV dyes



TO0033

CPS Mini UV LED Inspection Lamp

Ultra compact at 65mm long
Clip attachment provided suits any 1/4" - 3/8" shaft
Requires 3 x AG13 or LR44 batteries (included)



TO3100
Big Blu 985ml

Leak detection - Spray pack



TO8697
Fluoro Leak Detection Kit

Dye suitable for R134a & HFO-1234yf systems. HD Tracer for A/C oil, Fuel P/S, Coolant



TO0005
Dye Off 750ml

Concentrated biodegradable cleaner to remove fluoro dye stains.



TO0375
CPS Oil Injector - R12

1/4" SAE fittings
Injects oil straight into the A/C system.



TO4375
CPS Oil Injector - R134a

1/2" ACME fittings
Injects oil straight into the A/C system.



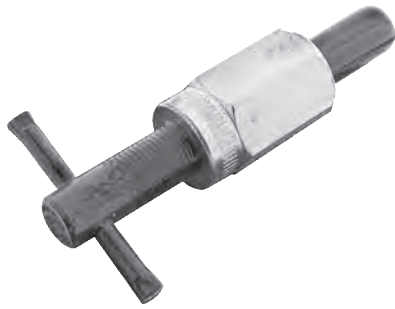
TO9815
Robinair Oil Injector R134a

1/2" ACME fittings
Injects oil straight into the A/C system.



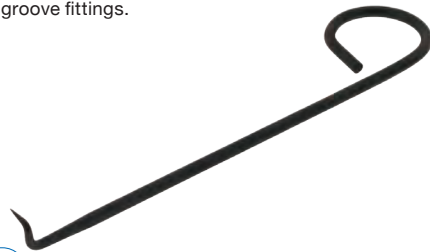
TO0355
Orifice Tube Remover

The orifice tube remover locks onto the orifice tube enabling easy removal. No more pliers and no more broken tubes.



TO0689
O'ring Pick

Removes o'rings from compressor parts & tube fittings. Particularly useful for removal of captive style o'rings and double groove fittings.



TO3541
A/C Hose Cutter



TO0322
Springlock Couplers

Set of 4
Contains
3/8" Tube No 6 removal tool
1/2" Tube No 8 removal tool
5/8" Tube No 10 removal tool
3/4" Tube No 12 removal tool



TO0365
Denso Springlock Tool

Suction



TO0366
Denso Springlock Tool

Liquid



TO4108
Springlock Repair Kit

Suits # 8 springlock fittings



TO4110
Springlock Repair Kit

Suits # 10 springlock fittings



TO8710
Denso Springlock Leak Repair Clamp

Suction

TO8730
Denso Springlock Leak Repair Clamp

Liquid



TO0536
Valve Core Remover & Installer

Includes storage of 6 standard valve cores



TO0792
Valve Core Remover & Installer

Suitable for large Eaton R134a valve cores



TO9302
Valve Core Remover & Installer



A32008
Valve Core Installer Torque Tool

Prevents over tightening of valve cores



TO2525
Valve Core Removal Tool Kit

Includes:
Standard valve core extractor
8mm valve core extractor
10mm valve core extractor
GM high flow valve core extractor
JRA valve core extractors
R134a low & high side body assemblies with side ports
R134a low & high side port adaptor
Carry case & usage chart



TO93FB
Flare and Swaging Tool

For double flaring most sizes of alloy tube.
Can also be used to flare some sizes of copper tube.



TO1475
Hydraulic Flaring Tool Kit

Flares, Push connectors,
GM fuel line flaring,
45 degree double flaring,
Metric bubble flaring
Comes in a handy carry case



TO250T
CPS Tube Bender

Suits: 1/4", 3/8", 1/2", 5/8", 7/8",
6, 10, 12, 16, 19, 22mm.



TO3017
Clutch, Seal & Bearing Tool Set

Suits Zexel, Hitachi, Hitachi, Mitsubishi,
Denso, Seiko-Seiki and
Sanden 505, 508, 510,
575, 708 & 709.



TO3019
Deluxe Clutch Hub Puller/Installer &
Orifice Tube Service Kit

Suits GM, Ford, Chrysler & Imports



TO0337
Hub Remover

Denso clutch
Removes the front hub (plate) from the
compressor



TO0338
Compressor Clutch Tool Kit

Denso clutch
Installs the front hub (plate) on the
compressor



TO1384
Sanden SD Series Clutch Hub
Remover

Removes the front hub (plate)
from the compressor



TO1458
GM A6 & R4 Clutch Hub Installer



TO3776
GM V5 Clutch Plate Remover



TO3371
Atco Bubble Crimper

The kit comes with a complete set of dies for #6 to #12 barrier and reduced barrier hose Engineered specifically for use with Atco beadlock fittings
Quick change dies - no tools required to change die sizes
Performs an OE style triple bubble crimp
Portable, hand operation
This kit comes in a custom moulded case



TO3762
Mastercool Hydraulic "Hydra-Krimp" Crimper

The "Hydra-Krimp" makes crimping barbed and beaded fittings very easy.

The kit comes with a complete set of dies for #6 to #12 barrier and reduced barrier hose
This unit is portable and ideal for workshop and field operations
The dies snap quickly into the press fixture requiring no pins or screws



TO1500
Jayair Hydraulic Crimper

This Crimper makes crimping barbed and beaded fittings very easy.

The kit comes with a complete set of dies for #6 to #12 barrier and reduced barrier hose.
This unit is portable and ideal for workshop and field operations
The dies snap quickly into the press fixture requiring no pins or screws



TO7150
Hydraulic Crimper Pump

Suits: TO1500 & TO3762



TO3723
Hydraulic Crimper Repair Kit

Suits: TO1500 & TO3762



TO3725
Hydraulic Crimper Oil Reservoir

Suits: TO1500 & TO3762



TO3726
Hydraulic Crimper Head Assembly

Suits: TO1500 & TO3762



TO3724
Hydraulic Crimper Shaft Assembly

Suits: TO1500 & TO3762



TO3727
Hydraulic Crimper Pin

Suits: TO1500 & TO3762



TO3816**Electronic Control Valve Tester**

Ideal for testing electronic control valves on late model compressors.

Enables the testing of the compressor without removing it from the vehicle
Supplied with a special simulator to protect the vehicles electronics

**TO1113****Ford HVAC Diagnostic Scan Tool**

Heating, ventilation and air conditioning (HVAC) Scan Tool for Ford is designed to help mechanics, A/C specialists and technicians in locating and solving problems related to HVAC system for Ford BA, BF, FG and Territory models built in Australia from 2003 onwards.

This Diagnostic Scan Tool enables the operator to:
Configure the HVAC Interface Module for all Ford variants.
Viewing and clearing of HVAC Diagnostic Trouble Codes (DTC's).
Test every actuator and sensor in minutes
Execute the learn procedure for all actuators
Test fan at different speeds on all models

**TO1114****Holden HVAC Diagnostic Scan Tool**

Heating, ventilation and air conditioning (HVAC) Scan Tool for Holden VE is designed to assist mechanics, A/C specialists and technicians in locating and solving problems related to HVAC system for all Holden VE and WM models. The HVAC Tester is a fully featured OBDII diagnostic tool, which allows the user to execute different diagnostic commands to test every component within the HVAC system in real time via the vehicle OBDII diagnostic data port.

This Diagnostic Scan Tool enables the operator to:
Run electronically controlled, clutchless air-conditioning compressor at 100%.
Check Compressor Coil and Compressor Pressure current values
Configure the Electronics Control Module for all Holden VE variants
Execute the learn procedure for all actuators.
Viewing and clearing of HVAC Diagnostic Trouble Codes (DTC's) which are current or stored in history.
Test every actuator and sensor.
Test fan at different speeds on all models.



TO0250

Thermo Psychrometer

The HVAC Tester is a fully featured OBDII diagnostic tool. It allows the user to execute different diagnostic commands to test every component in HVAC system in real time via the vehicle OBDII diagnostic port.

Features

- Min/Max memory
- 4 temp measurements (2 air, 2 surface)
- Includes 2 general purpose air probes, 2 gator jacks for condenser
- Comprehensive automatic troubleshooting manual

Additional Probes

- Thermo probe: TO0179
- Puncture probe: TO0181
- Clamp on Probe 4.5m: TO0204
- Surface Probe 4.5m: TO0205
- Air Temp Probe 4.5m: TO0206
- Air Temp Probe 7.62m: TO0207
- Air Temp Probe 15.24m: TO0208
- General Purpose Probe 10m: TO0210



TOOLS WORKSHOP EQUIPMENT

TO6002

Digital Multimeter & Automotive Engine Analyser

The HVAC Tester is the most feature rich, easy to use and powerful diagnostics package available on the market today

Features

- Auto Range
- Automatic negative polarity indication
- Automatic zero adjustment
- Low battery display and auto power off



TO0027

Digital Clamp On Voltage Tester

Technical Specifications

- 1000amp AC/DC Digital
- Auto/Manual range
- Backlight function, Jaw lighting
- Data hold function
- MAX/MIN function
- True RMS for AC voltage and current
- Display 3999 counts and 42 segments bar graph
- Double insulation
- Auto zero key for DCA
- Continuity test, Diode test
- True RMS for AC voltage and current
- DCV• 4/40/400V±0.8%, 1000V±1.0%
- ACV• 4/40/400V±1.0%, 700V±1.2%
- DCA• 400/1000A±3.0%
- ACA• 400/1000A<600A±2.5%, ≥600A±3.0%
- Resistance• 400/4k/40k/400k/4M_±1.0%, 40M_±2.0%



TO6003

CPS Air Velocity Meter

Measures air velocity and temperature, air flow measured in ft/min, m/s, km/h.

Features

- Data hold function
- Thermocoupler sensor for temperature measurement (0-50 degrees)





TO0040
OTC Digital Multimeter

This Multimeter provides a full feature set at an economical price. The TO0040 contains all the base functions required for today's automotive testing.

- Features**
Auto / Manual Range
Continuity Test
Data Hold
Max Hold
Auto Power Off



TO0041
OTC Digital Multimeter

This Multimeter features powerful automotive test functions such as; Frequency, Duty Cycle, Diode & Continuity Tests, plus all the standard meter features you expect in a professional grade Multimeter

- Features**
Diode Check
Continuity Test
Auto Range
Data Hold
Relative Change
Auto Power Off



TO0042
OTC Digital Multimeter (Hybrid Vehicle compatible)

This Multimeter includes powerful automotive test functions such as; Frequency, Duty Cycle, Diode & Continuity Tests, PLUS Automotive specific tests; True RMS, RPM, Dwell, Pulse Width, Temperature, Backlight, RS232, and Min/Max. It is CATIII so it is compatible Hybrid vehicle systems

- Features**
Cat III 1000V
Continuity Test
Auto Range, Data Hold,
Relative Change Backlight,
Auto Power Off
Min / Max, RS232 & Cable,
Red & Black Test Leads,
Alligator Clips,
RPM Pickup Adaptor,
Temp Probe Adaptor,
PC Cable &
Software,
Black Canvas Case



TO0044
OTC Digital Multimeter (Hybrid Vehicle compatible)

OTC 1000V CAT III Hybrid Multimeter with Insulation Test. A full function Multimeter with an insulation test feature is used to test for voltage leaks through insulation found on Hybrid and Electric Vehicles.

- Features**
Cat III 1000V
Data Logging
Continuity Test
Auto Range,
Data Hold,
Relative Change
Backlight,
Auto Power Off
Min / Max,
RS232 & Cable,
Red & Black Test
Leads, Alligator Clips,
RPM Pickup Adaptor,
Temp Probe Adaptor,
PC Cable & Software,
Black Canvas Case



TO5017
CPS Infrared Thermometer

The professional's choice for an accurate, reliable and rugged portable infrared laser thermometer.

- Features**
Temp range: -60°C to 500°C
Accuracy 2%.
Built in infrared laser with LED flashlight.
Switchable Celcius/Fahrenheit.
LCD backlight display.
Auto data hold when trigger is released.



TO2021
Digital Thermometer

- Features**
Selectable temp set points with alarm
Single stainless steel puncture probe
-50° to 260°C
Switchable between Celcius/Fahrenheit
Compact design



TO9266
Digital Thermometer

Convenient small thermometer with a digital read out.



G6000

Bullant Inspection Camera 2.4" TFT-LCD Screen

Suitable for Surveillance, Air Conditioning Inspection, Automotive inspection, Plumbing inspection and for general hard to reach inspections

Features

- 9mm Camera head
- Waterproof Capacity IP67
- Minimum Illumination 0 Lux
- Video System PAL
- Power Supply 4 x AA batteries (not Included)



G8000

Bullant Inspection Camera 2.7" TFT-LCD Screen

Suitable for Surveillance, Air Conditioning Inspection, Automotive inspection, Plumbing inspection and for general hard to reach inspections.

Features

- Record and Zoom Function
- 9mm Camera head
- Waterproof Capacity IP67
- Minimum Illumination 0 Lux
- Video System PAL / NTSC
- Micro SD card (not included)
- Power Supply 4 x AA batteries (not Included)



G9000

Bullant Inspection Camera 2.5" Detachable TFT-LCD Screen Wired or Wireless

Suitable for Surveillance, Air Conditioning Inspection, Automotive inspection, Plumbing inspection and for general hard to reach inspections.

Features

- 9mm Camera head
- Waterproof Capacity IP67
- Minimum Illumination 0 Lux
- Video System PAL
- Power Supply 4 x AA batteries (not Included)



G9500HC

Bullant Inspection Camera 3.5" Detachable TFT-LCD Screen Wired or Wireless

Suitable for Surveillance, Air Conditioning Inspection, Automotive inspection, Plumbing inspection and for general hard to reach inspections.

Features

- Record and Zoom Function
- 9mm Camera head
- Waterproof Capacity IP67
- Minimum Illumination 0 Lux
- Video System PAL / NTSC
- Micro SD card (not included)
- Power Supply Rechargeable Li Battery



TO0032

Rechargeable Anodized Aluminium LED Work Light

Features

- Rugged Anodized Aluminum Body
- Super Bright 1w Luxeon Spot
- 53 Proprietary High Lumen Output LED's
- Integrated 2500mAh 3.5v Rechargeable Battery
- Strong Magnetic Base
- Universal UL/CUL Electronic Wall and Car Chargers included
- Superior Durability and Shock Resistance
- High Quality Reflector Lens
- 1 year Warranty



Contents

Definition of Automotive A/C System

"To allow the safe operation of a vehicle under all weather conditions by making a human body thermally comfortable and maintain all the glass area free from fog and mist".

The following section is intended only as a basic guide to automotive refrigeration. Although the section is full of hints which may assist you in the areas of servicing and repairing of the air conditioner, the competent repair of the automotive air conditioner must be complemented by an accredited A/C course. It is not intended that this information replace the specific information contained within dedicated workshop manuals. The relevant workshop manual pertaining to the vehicle being serviced or repaired should be referred to as necessary.

When dealing with ozone depleting refrigerants, ensure that the relevant State's Code of Practice is adhered to.

All care has been taken in preparation of the information contained herein, however except where required by statute, the publisher on behalf of their client does not accept any liability for any direct, indirect, or consequential loss, damage, or personal injury caused to the customer or any other person which arises from, or in relation to the use or application of the information contained herein.

1. Principles of Refrigeration
2. Refrigerant Subcooling
3. The Refrigeration Cycle
4. Compressor Types
5. Compressor Drives
6. Direct Drive Assemblies
7. Pressure Control Valve Operation
8. Stretch Belts
9. Compressor Diagnosis
10. Condenser Types
11. Condenser Fault Diagnosis
12. Receiver Driers
13. Accumulators
14. Evaporators
15. TXV & Orifice Tubes
16. TXV Valves & Orifice Tubes Diagnosis
17. Internal Heat Exchanger
18. Cooling Fan
19. Clutch Cycling Switch
20. Pressure Transducers
21. Pressure Switches
22. Thermal Switches
23. Thermostats & Thermistors
24. Thermostat Fault Diagnosis
25. Thermistor Fault Diagnosis
26. Circuit Diagnosis
27. Electronic Climate Control
28. Repair & Service Procedures
29. Leak Detection
30. Vacuum Pumps
31. System Fault Diagnosis
32. Oil Charge Capacities
33. System Flushing
34. Evaporator Odour
35. Basic A/C Wiring System
36. Performance Testing
37. Temperature - Pressure Relation Chart

1. Principles of Refrigeration

A vehicle's A/C system is commonly referred to as "HVAC" and has three fluid streams; **AIR, COOLANT, REFRIGERANT**

H = heat and consists of the heater, heater valve controls and plumbing. Fluid streams ~ air and coolant.

V = ventilation and consists of the inlet duct, ducts, baffles, blend air doors, actuators, outlets, blower, flow through vents, condenser (radiator) fan, fan shroud and seals.
Fluid stream ~ air.

The principle aim of an automotive air conditioning system (or climate control system) is to provide passenger comfort. However within this broad aim there are four functions the system must perform.

Primary Functions

1. CONTROL TEMPERATURE
2. CONTROL HUMIDITY

Secondary Functions

1. PURIFY THE AIR
2. CONTROL AIR CIRCULATION

This text will address the primary functions of temperature and humidity control which are directly controlled by the air conditioning componentry and the flow of refrigerant through the system. The air circulation and purification are handled by the system design (airflow control) and filter placement and has little to do with how efficiently the air conditioning system operates.

PRINCIPALS OF HEAT TRANSFER

To clearly understand how an air conditioning system controls temperature and humidity we must first look at some basic laws of heat transfer.

Law Number One

Heat will always travel from **HOT to COLD** (heat will always move from a warmer object to a cooler one).

Law Number Two

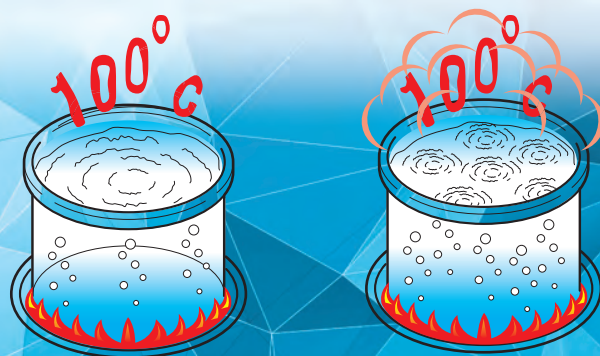
To refrigerate is to remove heat.
This is sometimes explained as "Cold is an ABSENCE OF HEAT".

Law Number Three

Heat can be used to do two things
1. Change temperature (sensible heat)
2. Change state (latent heat).

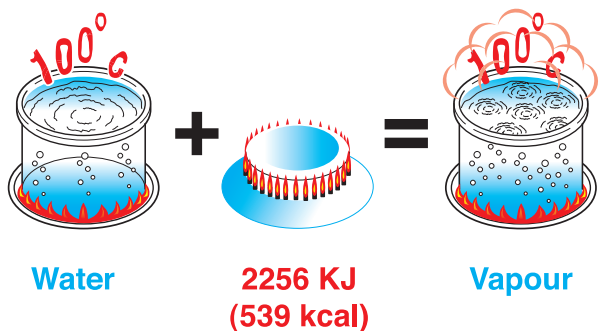
A liquid to which heat is added will absorb the heat until it reaches its boiling point. This form of heat used to raise temperature is called **SENSIBLE HEAT**.

The temperature of boiling water never exceeds 100°C (at atmospheric pressure). The heat used to raise the temperature of the water to boiling point is called Sensible Heat, (that is you can measure the temperature change.) Once the temperature of the water is at 100°C the heat used to turn the water to steam (i.e. change its STATE) is called Latent Heat, the temperature of the water while changing state stays at 100°C.



1. Principles of Refrigeration

The amount of heat added to the water to make it boil (without a change in temperature) is called **Latent Heat of Vaporisation** or **Latent Heat of Evaporation**

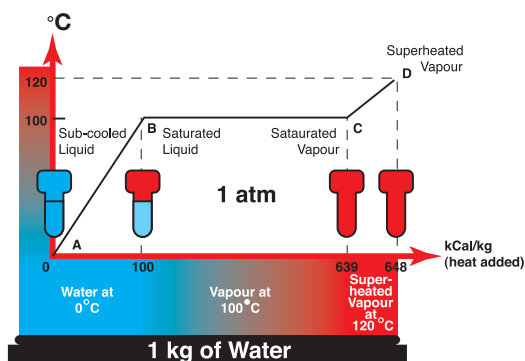


The opposite also applies, if heat is removed from a vapour at its boiling point it will condense back into a liquid. This is called **Latent Heat of Condensation**.

Sensible and Latent Heat

The following chart shows Sensible Heat & Latent Heat of Evaporation;

- A - B = Sensible Heat (rise in Temp. 0 - 100°C)
- B - C = Latent Heat (a change of state without a rise in temp.)
- C - D = Superheating (additional heating of the vapour).



If we use the above information and apply it to refrigerant gas instead of water the same theories apply.

The **evaporator** absorbs heat from the interior cabin air causing the refrigerant to **change state** from a liquid to a vapour (evaporation).

The **condenser** gives off the heat absorbed into the refrigerant by the interior cabin and from the compressor into the surrounding cooler ambient air causing the refrigerant to change back into a liquid (condensation).

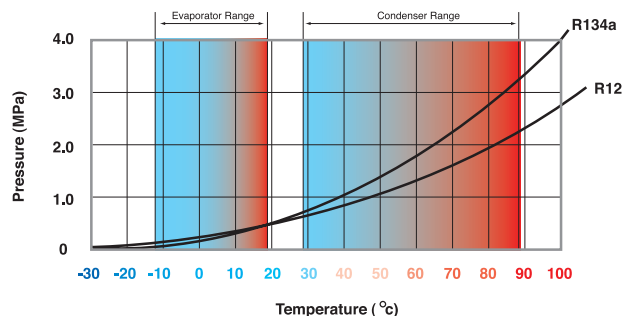
Refrigeration is achieved by absorbing heat during the process of evaporation.

How do we make the refrigerant absorb and give off heat?

Refrigerants have a pressure / temperature / boiling point relationship. By controlling the pressure we control the point at which evaporation and condensation occurs. As in a radiator if you **increase** the pressure (using a radiator cap) you effectively increase the temperature at which the water in the radiator will boil, if you increase the pressure the boiling point **increases**, if you **decrease** the pressure the water will boil at a **lower** temperature than 100°C (The temperature at which the water will either boil or condense is directly proportional to the amount of pressure in the cooling system).

The following chart is for R134a and highlights –

- If the refrigerant is at atmospheric pressure boiling point is approx. -26°C
- If the pressure is increased to 190kPa (28PSI) its boiling point is approx. 0°C
- If the pressure is increased to 1350kPa (195PSI) its boiling point increases to 54°C



If we can control the **pressures** within the **evaporator** and **condenser** we can control the temperature of the refrigerant within these 2 components.

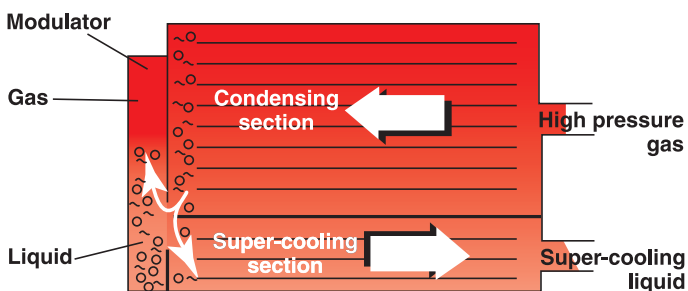
2. Refrigerant Subcooling

Subcooling is a demonstrated and reliable means of increasing cooling capacity and is proving to have energy-saving potential to conventional air conditioning systems. The modified refrigeration cycle is based on the properties of refrigerant, which absorb latent heat until they vaporize.

Subcooling is achieved by removing the conventional receiver drier from the system and adding a separator or “modulator” to a multi flow condenser. The modulator performs the same role as the conventional receiver. The difference is in the construction of the super-cooling condenser. The refrigerant enters the condenser in a gaseous state where it is cooled and becomes a gas and liquid mixture.

After being separated in the modulator the refrigerant is cooled again as it flows along the bottom of the super-cooling section to produce close to 100% liquid.

Modulator (Gas and Liquid Separator)



3. The Refrigerant Cycle

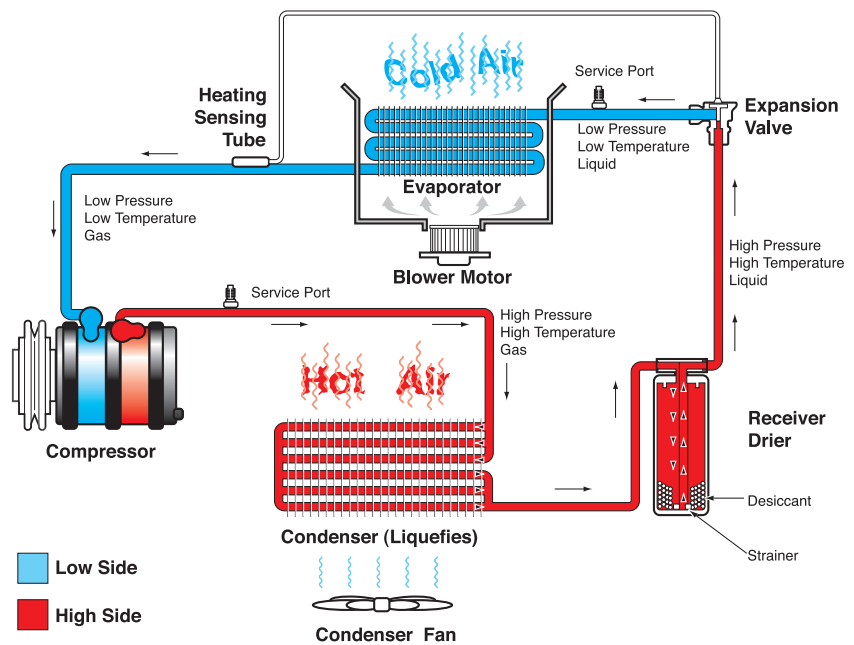
According to the Second Law of Thermodynamics, heat always flows from Hot to Cold. If we control the pressures we control the temperature. Control of the pressure is achieved by the compressor and TX Valve / Orifice Tube. These two components separate the High side from the Low side of the A/C system.

There are two basic types of automotive refrigeration systems;

- | | |
|---|--|
| <p>1. Thermal Expansion Valve which has;</p> <ul style="list-style-type: none"> • Two heat exchangers ~ Condenser and Evaporator • Two pressure controllers ~ Compressor and Thermal Expansion Valve | <p>2. Orifice Tube System which has;</p> <ul style="list-style-type: none"> • Two heat exchangers ~ Condenser and Evaporator • Two pressure controllers ~ Compressor and Fixed Orifice Tube |
|---|--|

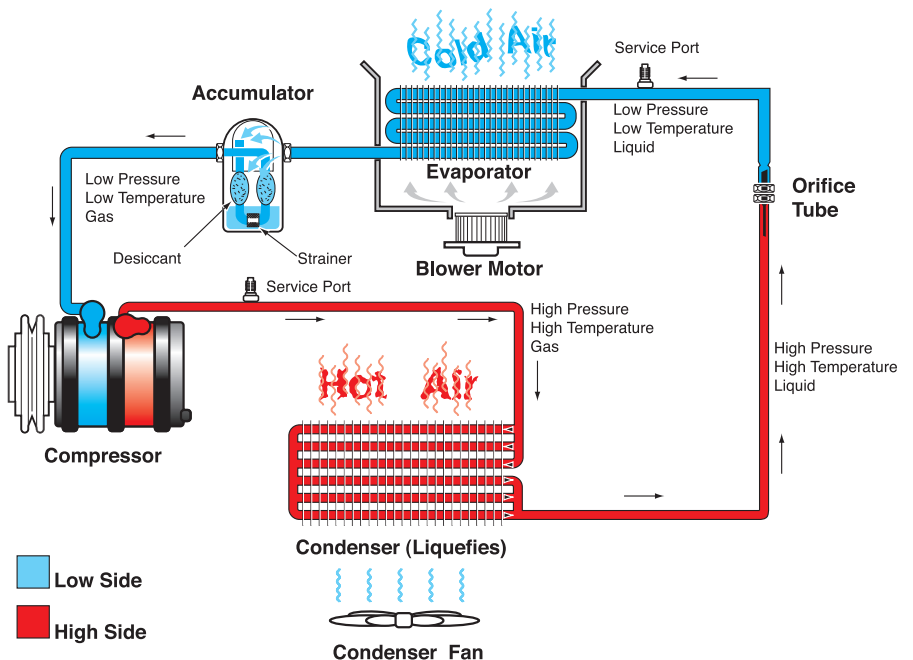
Thermal Expansion / Receiver Driersystem

The compressor and expansion valve work as a pair. The compressor pumps out refrigerant against the restriction of the TX valve causing a rise in pressure in the "high side" of the system. As an example if the pressure in the condenser is 1430kPa (205PSI) (for 134a) the temperature of the refrigerant is 56°C. Given that the air passing over the condenser is significantly cooler than this (say 30°C) then the condenser will readily "give off" heat allowing the refrigerant to condense back into a liquid. This liquid is then fed to the TX valve (via the receiver/drier) where a controlled flow of liquid refrigerant is sprayed into the evaporator. The restriction to flow caused by the TX valve causes a rapid drop in pressure and temperature of the refrigerant into the "low side" of the system. If the pressure is reduced to approximately 190kPa (example only) its temperature will be 0°C in the evaporator. The refrigerant will therefore readily absorb heat from the comparatively hot cabin air (say 30°C) causing a change of state from a liquid to a vapour.



Orifice Tube / Accumulator system

In the CCOT system the orifice tube replaces the expansion valve, and the accumulator replaces the receiver drier. As in the TXV system the compressor and the orifice tube in the CCOT system work together. The orifice tube is a calibrated tube that meters the liquid refrigerant flow into the evaporator. The flow through the orifice tube is regulated by the pressure difference across the orifice and the amount of refrigerant sub-cooling. The orifice tube flow rate is effected by the amount of subcooling out of the condenser. The greater the subcooling, the higher the pressure. Because the orifice tube has a fixed orifice the evaporator is continually in a state of flooding. The accumulator which is located after the evaporator acts as a reservoir by containing any liquid that flows from the evaporator, and releases only vapour to the compressor. It also contains a desiccant bag, which absorbs any moisture that may be in the refrigerant.



4. Compressor Types

The compressor is simply a pump and can be either of variable or fixed displacement, it pumps both refrigerant and oil through the A/C system. The compressor has two purposes, one is to receive a low-pressure condition at the compressor inlet, and the second function is to compress the low-pressure refrigerant vapour into a high-pressure vapour.

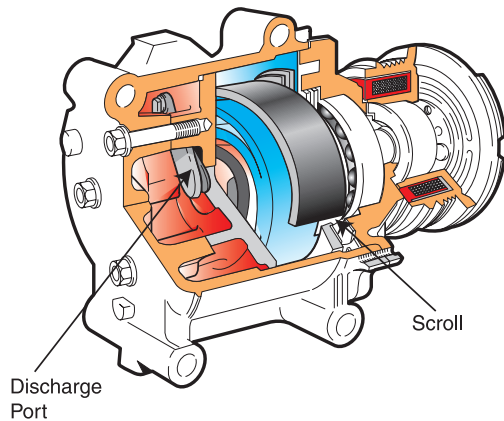
Four types of compressors are commonly used for refrigeration application.

1. **Scroll**
2. **Variable Displacement**
3. **Reciprocating Piston**
4. **Rotary Vane**

SCROLL TYPE

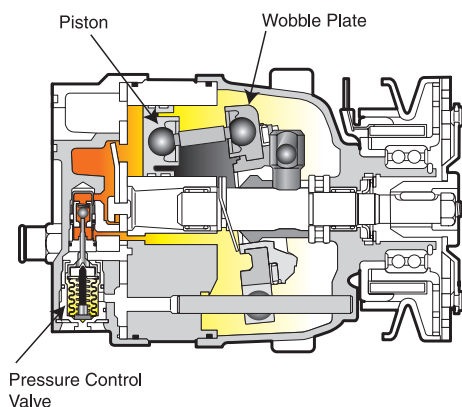
The scroll compressor is a rotary, and in this example a positive displacement compressor. The compressor unit is made up of two matching scrolls one fixed and the other orbiting, which when placed together form a series of gas pockets. The suction gas enters the scroll unit at the periphery, and is compressed progressively into the centre discharge port of the stationary scroll.

COMPRESSION CYCLE



VARIABLE DISPLACEMENT

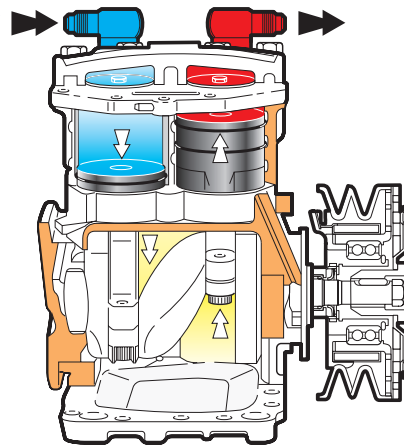
As the name implies, this compressor varies its displacement by changing the stroke of the pistons. The compressor features a variable angle wobble plate and multiple piston axial design. The angle of the wobble plate is changed by means of a mechanical valve train or by electronic control valves and senses and responds to the system suction pressure or A/C system demand. Temperature is maintained by varying the capacity of the compressor, not by cycling the clutch ON and OFF. The displacement of the compressor can be varied with load from 5% to 100%.



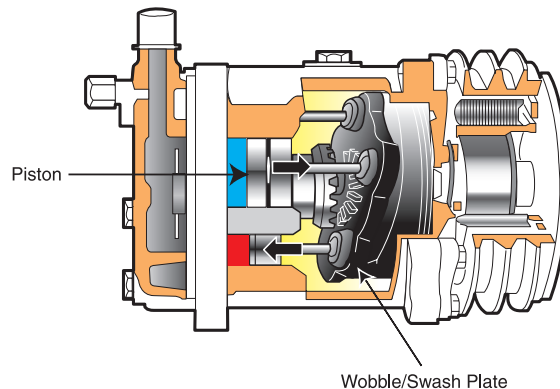
RECIPROCATING PISTON TYPE

Reciprocating compressors may be either single-acting or double-acting. In single-acting compressors, compression of the vapour occurs only on one side of the piston and only once every revolution of the crankshaft. Whereas in double-acting compressors, commonly referred to as the swash or wobble plate, compression of the vapour occurs alternately on both sides of the piston, so that compression occurs twice during each revolution.

SINGLE-ACTING



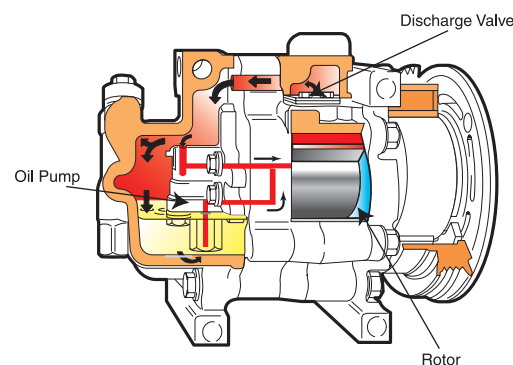
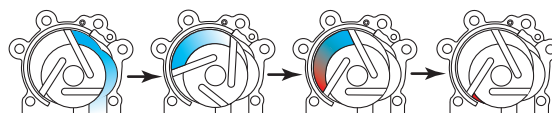
DOUBLE-ACTING (Swash/Wobble)



ROTARY VANE

The rotating vane type compressor employs a series of rotating vanes or blades, which are installed equidistant around the periphery of a slotted rotor. No sealing rings or pistons are used in the vane type compressor and it has only one valve, which is a discharge valve. The vanes are sealed against the compressor housing by centrifugal force and lubricating oil. Oil is supplied from an oil pump located on the discharge side of the compressor.

COMPRESSION CYCLE



4. Compressor Types

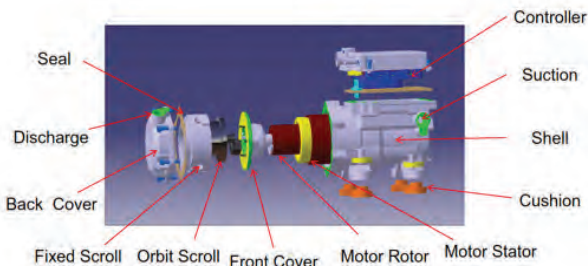
ELECTRIC COMPRESSORS

2 Types of electric compressors are commonly used in Hybrid vehicles

- **Electric drive**
- **Dual mode - belt driven and electric**

Electric compressors provide a flexible solution in locating an A/C compressor. Typically operating voltage varies from vehicle to vehicle, typically in the range of 250V – 300V. The full electric type comprises an electric motor directly coupled to an A/C compressor. The dual mode is restricted to being mounted to the engine. When the vehicle switches from the combustion engine to the electric motor the electromagnetic clutch disengages and the compressors inbuilt electric motor takes over. Both are variable types with displacement ranging from 10% to 100% depending on cooling demand.

Note – Be aware that only the correctly specified POE oils can be used in electric compressors. As the moisture content of PAG’s is higher than POE’s (Ester) use of a PAG in an electric compressor will not only reduce the performance of the compressor but will seriously reduce compressor life.



5. Compressor Drives

The A/C compressor is typically belt driven from an engine crankshaft pulley via a pulley attached to the drive shaft of the compressor. These may be either an electromagnetic or direct drive types.

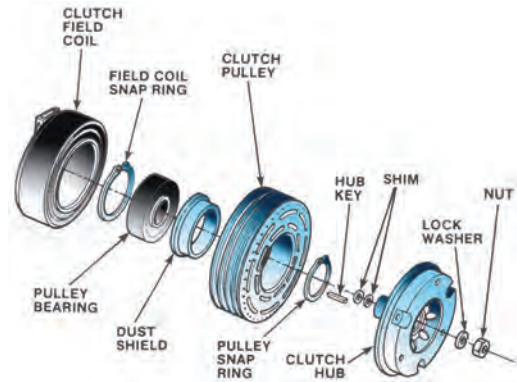
The electromagnetic clutch consists of;

- 1 a field coil (stator)**
- 2 a rotor (pulley)**
- 3 a drive hub (armature plate), (pressure plate).**

A field coil is fixed to the compressor body whilst the rotor (or pulley) is free to turn on its bearing. The drive hub is keyed or splined to the compressor shaft. When electrical current is passed through the field coil, a strong magnetic field is established which attracts the drive hub clamping it to the face of the rotor, thus transmitting drive to the compressor. When the clutch is de-energised the magnetic field collapses and the drive hub springs pull the drive hub away from the rotor.

Note –

Be aware, once the A/C is engaged on a variable type compressor the clutch does not cycle, and is only disengaged when the A/C is switched off.



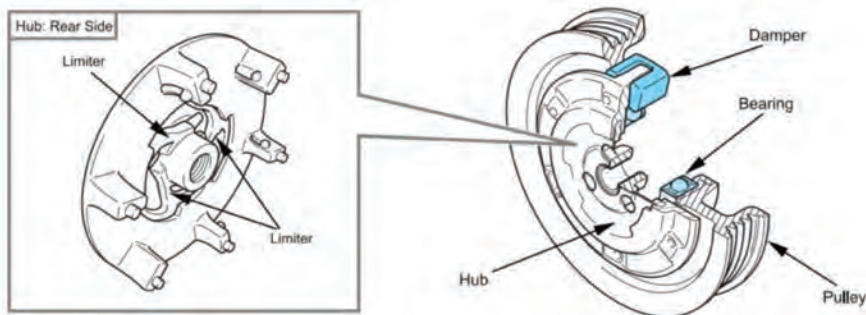
6. Direct Drive Assemblies, “DL Pulley”

With the introduction of variable displacement compressors (to improve overall fuel and power consumption, acceleration performance and clutch on/off shock), the need for a conventional on/off clutch has been eliminated.

Damper and Limiter pulleys (DL Pulleys) consist of 3 parts and replace the traditional “magnetic clutch”

- 1 Pulley – has an internal bearing and receives motive force from vehicle drive belt**
- 2 Damper – joins the pulley to the hub and absorbs variations in compressor torque**
- 3 Hub – transmits power to the compressor. Equipped with a “limiter”****

Under normal operation the compressor hub, damper and pulley rotate as one. If the compressor locks, creating an excessive load, the “limiter” breaks allowing the pulley only to rotate, protecting the vehicle drive belt



Precautions when replacing a compressor with a “DL” pulley

PRECAUTION	REASON
When recharging the refrigerant gas, do not start the engine first - DO NOT OPERATE compressor without refrigerant gas	When equipped with a DL pulley, even if the A/C switch is OFF, once the engine is started the compressor also starts to rotate. If the compressor operates with no refrigerant, therefore insufficient lubrication, internal failure will occur

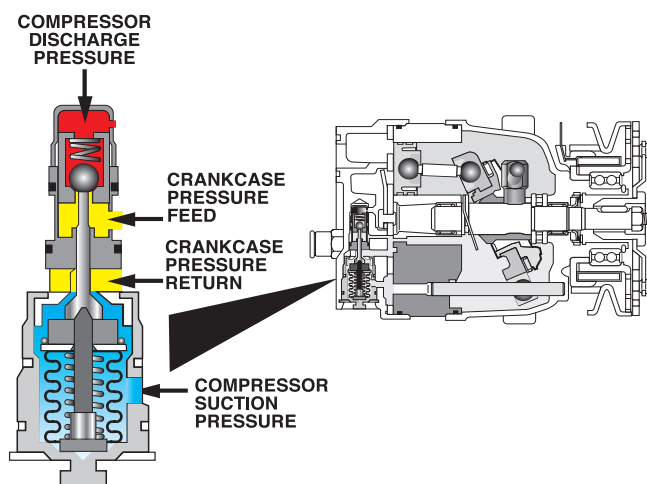
7. Pressure Control Valve Operation

HIGH A/C DEMAND

During periods of moderate to high A/C demand, system suction pressure will be greater than the control valve set point. During these periods, the control valve maintains a bleed from crankcase to suction. Crankcase pressure is therefore equal to suction pressure. The wobble plate angle -and therefore compressor displacement is at its maximum.

LOW A/C DEMAND

During periods of low to moderate A/C demand, system suction pressure will decrease below the control valve set point. The control valve maintains a bleed from discharge to crankcase and prevents a bleed from discharge to crankcase to suction. The wobble plate angle - and therefore compressor displacement - is reduced or minimised.



8. Stretch Belts

Many vehicles are now being released with a STRETCH Belt. These vehicles are not fitted with an additional belt tensioner and special tools are required to install them. A stretch belt is smaller than the working length required but once they are installed (using the correct tools) they automatically tension to ensure correct load carrying capacity and proper tension over the life of the belt.



9. Compressor Diagnosis

COMPRESSOR FAILURE ANALYSIS

A majority of compressor failures occur because of system faults, design limitations in hybrid systems, or poor servicing techniques/ procedures. It is of utmost importance to evaluate a system thoroughly on fitment of a new compressor to ensure an intrinsic system fault will not lead to premature failure of the replaced compressor.

SYMPTOMS OF A FAILED COMPRESSOR,

Fixed Displacement

Refer to performance testing section on Variable Displacement Compressors.

A failed compressor can usually be identified by a high suction pressure (low side pressure excessive) and low head pressure (ie the compressor fails to "pull" the low side down or "pump" the high side up). Additional indicators of poor compressor performance include rapid pressure equalisation on defrost cycle and the inability to pull a vacuum with the suction hose pinched off.

COMMON CAUSES OF COMPRESSOR FAILURE

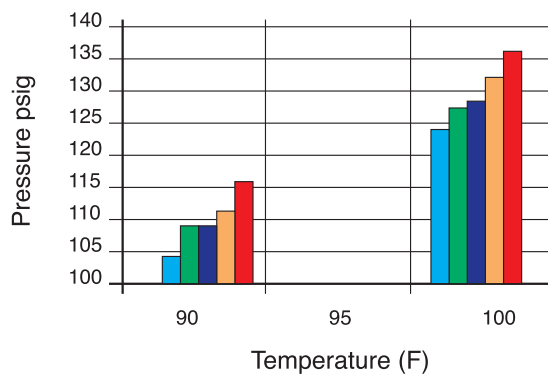
EXCESSIVE HEAD PRESSURES

Probably the most common cause of compressor failure is excessive pressure loading caused by one or more of the following

- a) **Overcharging**
- b) **Incorrect oil quantity/quality**
- c) **Poor condensing action due to -**
 - i) condenser restrictions either internally or externally (blocked fins etc)
 - ii) due to restrictions in the air stream, (insect screens or oil coolers), electric fan inoperative or incorrect direction of rotation, viscous drive fans failing to engage fully.
 - iii) external blockage of the radiator will cause poor airflow through the condenser and thermal overload at idle conditions (air damming).
 - iv) Air/NCG'S (non condensable gases) in due to incorrect servicing procedures (**namely inadequate evacuation times**), or leaks in the suction side of the system.
 - v) Contaminated refrigerants (mixtures) R12/134a/ alternative refrigerant mixtures will cause excessive head pressures at contamination rates as low as 2%. Mixing of refrigerants must be avoided at all costs. Ensure adequate evacuation times in all services particularly if retrofits have been carried out.

See illustration below.

Vapour Pressure Mixtures of R134a with Max.NCG- 2%, 5%, 10% R12



■ R134a ■ R134a max/NCG ■ 2% in R134a
■ 5% in R134a ■ 10% in R134a

9. Compressor Diagnosis

LIQUID SLUGGING

Refers to liquid refrigerant entering the suction side of the compressor and since fluids are incompressible, for all practical purposes, this normally leads to premature failure of the reed valves, valve plate or destruction of the compressor.

LOW REFRIGERANT LEVEL**Blocked TX Valve/Drier**

A low refrigerant level, blocked TX valve, or restriction in the liquid line will starve the compressor. Starvation of the compressor may lead to excessive thermal loadings due to insufficient return of cooling refrigerant, or may lead to the compressor pulling a vacuum and "pumping itself dry". The low pressure cut out switch (or low function of a binary switch) normally offers protection against a starved compressor due to insufficient refrigerant in the system, but this does not relate to low side blockages when the switch is located in the high side.

THERMAL SWITCH BYPASSES or INCORRECT SWITCH FITTED

Compressors fitted with a thermal switch (superheat switch) may generate excessive temperature at higher compressor speeds and/or low charge rates. Failure of thermal protection devices invariably leads to compressor failure.

LACK OF OIL OR INCORRECT OIL

Insufficient oil or incorrect oil may both lead to metal to metal contact, excessive heat generation and subsequent failure of the compressor. Ensure oil levels are correct particularly when

- i) a hose has blown - particularly the discharge/liquid line.
- ii) components have been changed or replaced in service.
- iii) long hose runs or extra evaporators are incorporated into the system.

Note

Ensure manufacturers guidelines are adhered to when recovering/evacuating system. Failure to do this may cause excessive oil to be drawn out.

CONTAMINATED OIL

Contaminated systems due to previous compressor failure or otherwise **MUST** be flushed to avoid premature failure of the new compressor.

COMPRESSOR CLUTCHES

Clutch failures can be broadly divided into two groups -

Electrical and Mechanical.**Electrical**

Common causes of clutch failure in the electrical area include voltage drop to the coil, shorted coils or intermittent/poor insulated earthing circuits on rubber mounted compressors.

Mechanical

Mechanical faults leading to clutch failure include incorrect air gap (excessive, causing slow engagement/slipping), incorrect air gap (insufficient, causing clutch drag and subsequent heat generation), dirt/dust/oil/ between clutch surfaces (poor engagement/ slippage).

COMPRESSOR NOISE ANALYSIS

Before condemning the compressor ensure that the noises generated are not due to one or more of the following associated conditions

- 1 **Excessive head pressures (pressure knock generation)**
- 2 **Belt "dance" (a loose belt "flapping" usually on its longest run)**
- 3 **Cracked or separating drive belt**
- 4 **Loose/missing mounting bolts**
- 5 **Associated driven component noises (ie alternator, power steering etc)**

10. Condenser Types

Condensers can be grouped into four types

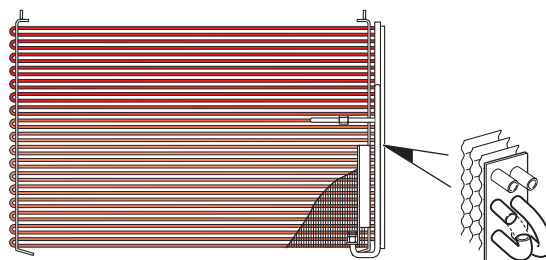
- 1 **Tube and Fin**
- 2 **Modine (serpentine)**
- 3 **Parallel Flow**
- 4 **Sub-cool**

The modine design with its flat cross sectional design has improved performance over a conventional tube and fin design due to its greater air to tube surface area and less airflow restriction. Dual pass (or multi pass) modine condensers look similar to a conventional modine type but are designed so that the refrigerant is "split" and allowed to flow simultaneously through alternate paths.

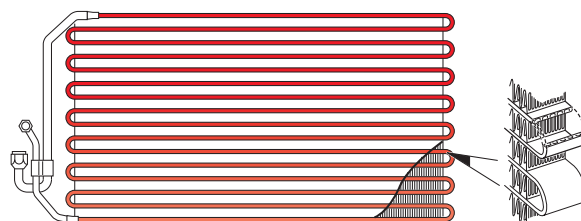
The parallel flow, multi pass design offers superior performance with minimum refrigerant pressure drop. Airflow is still the crucial element in adequate condenser performance.

CONDENSER TYPE**TUBE & FIN**

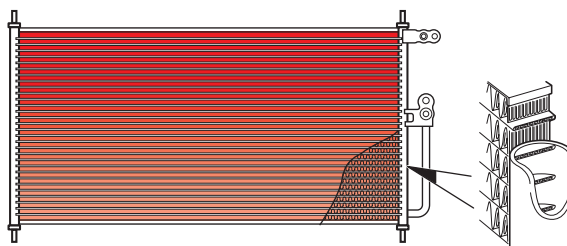
Horizontal copper tube construction with aluminium fins.

**MODINE**

Flat section, multi-cored aluminium tubing in a serpentine configuration with aluminium fins. Also known as serpentine.

**MULTI-FLOW**

Vertical, side mounted header tubes with horizontal, flat-section, multi-cored aluminium and aluminium fins. Also known as parallel flow

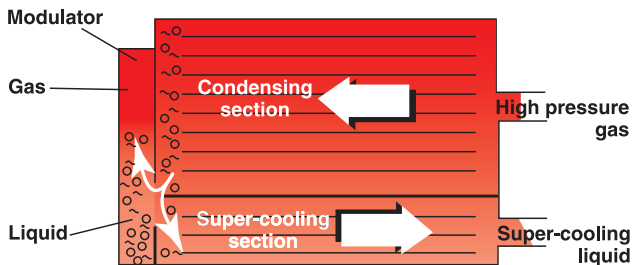


10. Condensers Types

4 Sub-cool condenser

Many late model vehicles have a parallel flow type condenser which also includes a separator or modulator (integrated onto the side of the condenser). This replaces the conventional receiver drier. The modulator (which includes a desiccant bag) allows for the cooled refrigerant to re-enter the condenser for further 'sub-cooling' ensuring that as close to 100% as possible of the vapour is converted to liquid. The sub-cooled refrigerant is then stored and flows through to the TXV as demand requires.

The sub-cooling of refrigerant reaching the TXV improves overall A/C performance and reduces the load on the compressor.



Important Note
SUPERIOR DESIGN CHARACTERISTICS DO NOT COMPENSATE FOR AIRFLOW. BOTH ELEMENTS ARE REQUIRED.

A condenser is a heat exchanger which transfers the heat absorbed by the refrigerant from the cabin to the cooler outside air. This transfer of heat causes the refrigerant to change state from a vapour to a liquid. It is critical that the performance of the condenser is not affected by air flow restrictions, incorrect or inefficient fan operation. **Poor condensing = poor A/C performance.**

Poor condensing may result in refrigerant vapour getting through to the TXV. The TXV will only function correctly with a constant supply of liquid.

If the condenser cannot efficiently give off heat to the ambient air a compounding affect will result in high temperature loads and as a consequence high pressure (HIGH TEMPERATURE = HIGH PRESSURE). At high pressure the refrigerant temperature in the evaporator will be high, resulting in very poor cooling.

Three elements are always required for adequate heat rejection;

1. **Condenser size**
2. **Efficiency (performance / design)**
3. **Airflow**

11. Condenser Fault Diagnosis

CONDENSER FAULT DIAGNOSIS

As previously discussed a majority of condenser faults will result in excessive head pressure. Excessive head (high side) pressure may result from

Airflow Deficiency

- 1 **Electric fans not operating correctly**
- 2 **Viscous drive fan not engaging/locking**
- 3 **Insufficient fan size/capacity**
- 4 **Shrouding ineffective**
- 5 **Condenser to radiator spacing excessive (maximum 50mm)(with common fans).**

Airflow Restriction

- 1 **External restriction of fins (grass/insects etc).**
- 2 **Insects screens**
- 3 **Coil coolers (transmission, power steering)**
- 4 **Blocked radiator (externally).**

Internal Blockage

- 1 **Usually caused by solid particulates originating from a failed compressor;**
- 2 **Failed receiver/drier (released desiccant);**
- 3 **Contaminates from internal corrosion.**

Oil Flooding

- 1 **Excessive oil may severely limit heat dissipation and cause excessive unwanted pressure drops due to restrictions to refrigerant flow.**

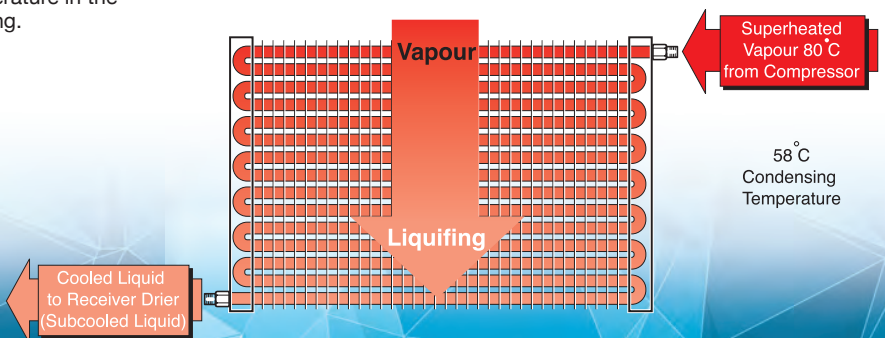
In addition to excessive head pressure, external damage and leaks (usually indicated by oil stains) are the only other problems applicable to condensers.

Note

Oil stains indicating a leak may not be electronically detectable at the time of testing due to oil sealing the leak internally.

TESTING CONDENSER EFFICIENCY

Many technicians believe that a temperature differential of between 15°C and 20°C between the inlet and outlet pipes of the condenser verifies adequate condenser performance **THIS IS NOT THE CASE** - many late systems operate with very high discharge line superheat and a drop from superheated vapours to condensing vapours does not verify adequate condenser performance. The valid test is to verify the liquid line (condenser outlet) is cooler (normally 5°C -15°C) than condensing temperature, not cooler than superheated vapours entering the condenser.



12. Receiver Drier

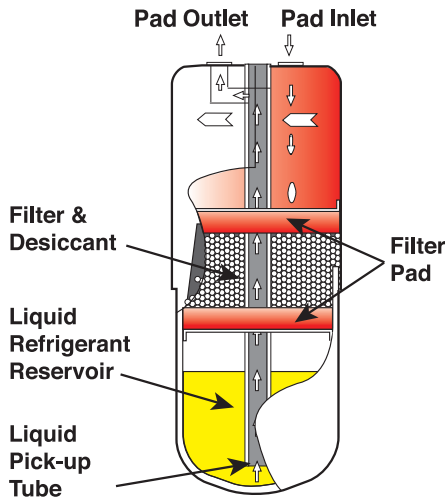
The receiver drier has three basic functions

1. **To remove moisture from the refrigerant and oil**
2. **To filter out foreign materials (solid particulants)**
3. **To act as a liquid vapour separator -thus ensuring a liquid supply to the TX valve at all times.**

DRIER TYPES

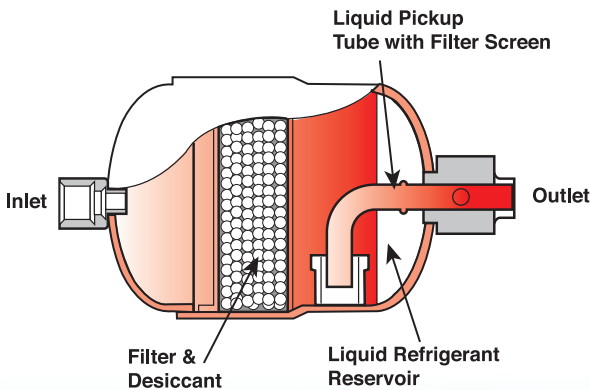
Conventional (Upright) Type

Refrigerant from the condenser enters the receiver drier where the liquid and uncondensed vapours are separated. A tube, one end connected to the drier outlet and the other end sitting low in the bottom of the drier ensures that only liquid refrigerant is supplied to the TXV.



In Line (Horizontal) Type

Less common in automotive applications. The principle of operation is the same but the inlet and outlet are on opposite ends of a cylinder. It is vital to observe a "TOP" marking on this drier type to ensure the liquid withdrawal tube "dips" into the liquid.



Desiccant Bag

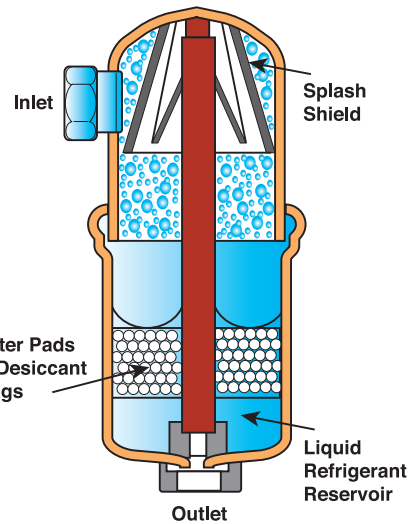
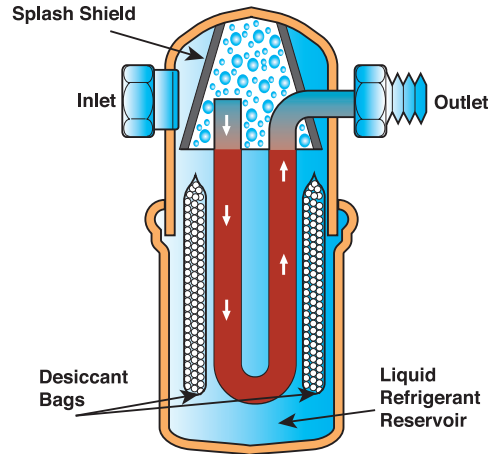
In sub-cool type condensers receiver drier is replaced by separator / modulator tube, the desiccant bag is located inside this tube. A screw in cap is provided to allow replacement of this desiccant bag during A/C servicing or repair.

Note The separator / modulator is fully charged and under pressure, the A/C system must be de-gassed before replacing the desiccant bag.



13. Accumulator

Accumulators located in the suction line are used in orifice tube systems to prevent liquid refrigerant from entering the suction side of the compressor (liquid slugging). Their design is such that liquid that does not change state ('boil off') in the evaporator is trapped in the accumulator with only vapour feeding the compressor. It is important to note that under low heat load conditions (low cabin heat) orifice tube systems commonly run a "fully flooded" evaporator with the accumulator being the component in preventing liquid slugging of the compressor.



14. Evaporators

EVAPORATOR OPERATION**BASIC FUNCTIONS**

Evaporators have two functions to perform. First, they provide a large surface area for the air and refrigerant to exchange heat. Second, they dehumidify the air passing across the chilled plates and fins.

LATENT HEAT

The liquid refrigerant leaving the expansion device enters the evaporator at a temperature close to 0°C. Since the refrigerant is colder than the air passing over the evaporator, it will absorb heat from the air. Latent heat cannot be measured with a thermometer, it can only be calculated.

SUPERHEAT

While liquid refrigerant boils into a vapour, it does not increase in temperature, but after complete vapourization, if any extra heat is absorbed by the refrigerant vapour it will become superheated. When a substance becomes superheated it is at a higher temperature than its boiling point at a given pressure. A small amount of superheating must occur in TXV systems to prevent liquid refrigerant from returning to the compressor.

RELATIVE HUMIDITY

The amount of moisture that air can hold is in direct relation to its temperature and the amount of moisture present in the atmosphere. The temperature at which condensation occurs is called the dew point. The dew point is known as 100% relative humidity. Let's say the ambient air is 29°C and the relative humidity is 60%, then the dew point will be 11.5°C. Since the evaporator surface temperature will be below 11.5°C the moisture in the air will condense into a liquid and collect on the plates and fins of the evaporator. The water collected on the evaporator will drain out of the HVAC unit through a drain hose. The dehumidifying process increases our comfort level, but it makes the process of heat transfer more difficult. The A/C duct discharge air temperature can run 10 to 30 % higher during high humidity conditions. High relative humidity (over 60 %) can affect the system temperature readings during a maximum heat load test by 10 to 20 %.

EVAPORATOR TYPES

The most common evaporator designs are tube and fin, serpentine flat tube and plate and fin. The change to R134a refrigerant has forced the component manufacturers to improve efficiency of evaporators. Altering the flow path, reducing the size of refrigerant passages, and modifying fin design have all led to improved heat transfer and efficiency.

Single Pass

The refrigerant passes through the tubes from the inlet to the outlet making only one pass before leaving the core. The single pass type may have a number of 'circuits', the refrigerant is directed into these circuits via an inlet distributor and collected at the outlet of the core via a manifold connected to the suction hose of the compressor for a TXV system or into an accumulator in the case of an orifice tube system.

Multi Pass

This type uses partitions inside the evaporator core to direct the refrigerant to the end tank where another partition redirects it back to the opposite tank. This may be done several times to achieve the highest possible transfer of heat from the cabin into the refrigerant.

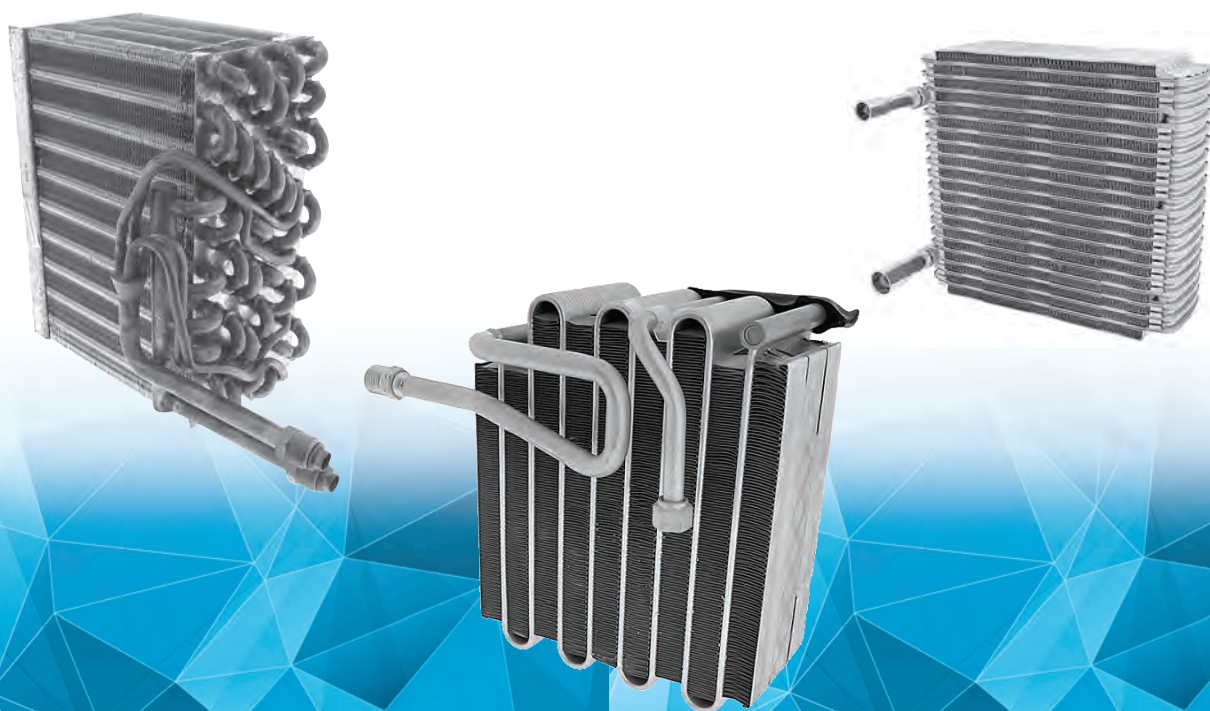
In order to ensure a good flow of refrigerant and oil mixture the refrigerant flow rate must be maintained and the refrigerant cannot be superheated.

During low refrigerant charge the refrigerant will become superheated allowing oil to collect at the bottom of the evaporator starving the compressor for oil.

Multi Flow

Multi flow evaporators are primarily the same as Multi pass, designs over the years have improved greatly and now flow variations such as S, U and W are used to maximise performance.

This improved efficiency has allowed coils to reduce in size from 104mm to 38mm width however maintaining high performance.



15. Thermostatic Expansion Valves & Orifice Tubes

Thermostatic expansion (TX) valves and orifice tubes are the flow control devices of the air conditioning system. Their basic function is to provide a metered amount of refrigerant into the evaporator coil dependant on the **HEAT LOADING** on the coil. **HEAT LOADING** is defined as the amount of heat (temperature and humidity in the air) to which the evaporator is subjected.

Types

- Three basic types of TX valves are used
1 Conventional internally equalised.
2 Conventional externally equalised.
3 Block type.

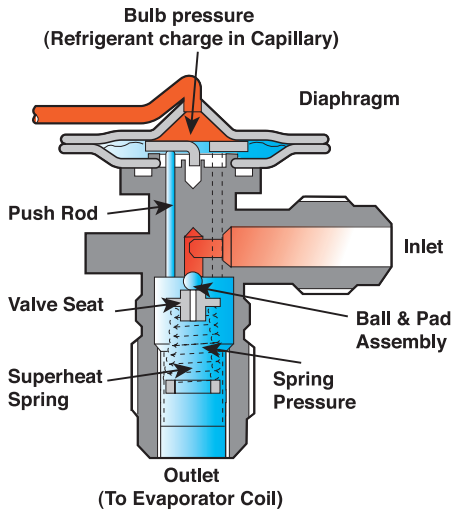
All TX valves sense the outlet temperature of the evaporator coil and vary their opening dependant on that temperature. (ie level of superheat across the coil).

Definition

Superheat is the “extra heat” added to the refrigerant vapour once it has all changed state inside the evaporator. In simple terms it is the heat gain across the coil.

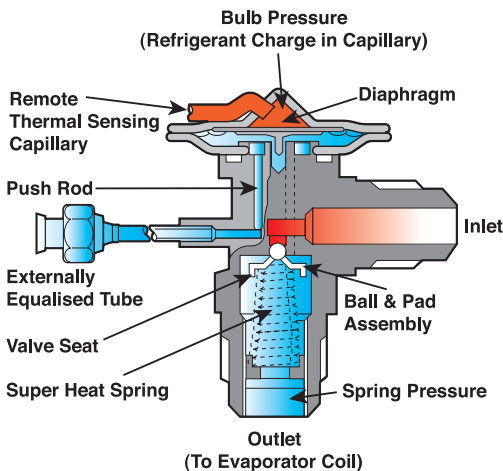
INTERNALLY EQUALISED

These valves have an internal passage to sample evaporator pressure.



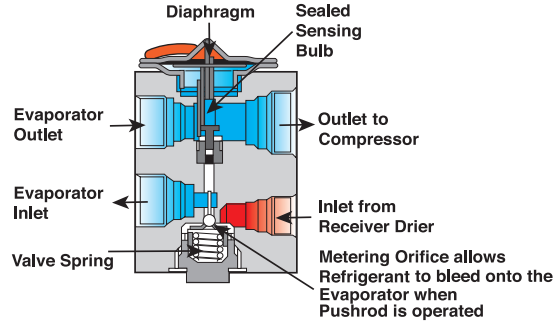
EXTERNALLY EQUALISED

These valves have the added advantage of an external line sampling evaporator pressure at the outlet of the coil. The sampled pressure is fed to the underside of the diaphragm and opposes the superheat capillary tube force to accurately control refrigerant flow into the coil. The TX valve senses both evaporator pressure and superheat across the coil, with the external valve compensating for evaporator pressure drop.



BLOCK VALVES

Block valves are fitted between the inlet and outlet fitting of the evaporator core. A sensing tube is located at the outlet of the valve allowing for ‘internal’ sensing of the refrigerant. This direct sensing of refrigerant is more accurate and control over the refrigerant flow faster responding. An internal gallery in the valve allows the block valve to sense the evaporator pressure at the outlet. As there is no external sensing bulb the valve can be placed outside of the evaporator assembly itself.

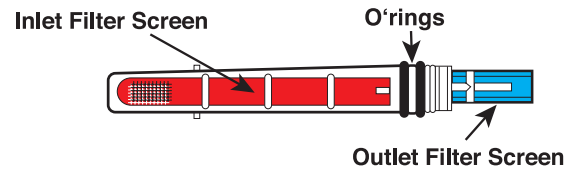


Note It is essential to use an externally equalised type valve or block valve on larger coils to maintain accurate flow calibration.

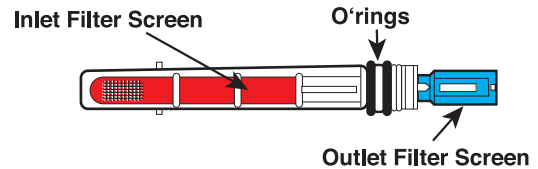
ORIFICE TUBES

The fixed Orifice Tube or expansion tube is a set pre-calibrated fixed restrictor to bleed a set amount of refrigerant into the evaporator. The accumulator in the suction line prevents liquid slugging to the compressor when the set amount does not all “boil off” inside the evaporator (low heat load conditions).

FORD ORIFICE TUBE

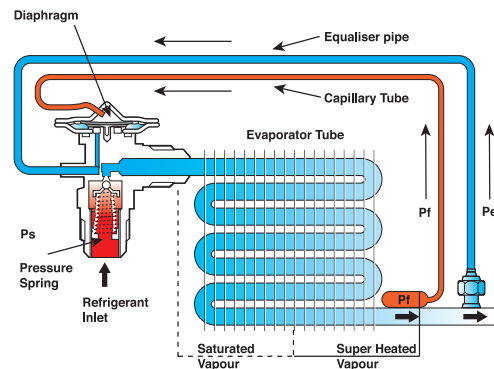


EARLY GM ORIFICE TUBE



Orifice tubes are accurately sized to provide for correct flow rates plus pressure control in the low side of the system.

Note 1 ton = 12,000 BTU/hr = 3.517 KW



Pf = Gas Pressure within sensitising tube
 Ps = Spring hold down pressure
 Pe = Vapour pressure within evaporator

16. TX Valve & Orifice Tube Diagnosis

TX valve/orifice tubes, being fine accurate flow calibration devices require the following conditions to be met

- 1 **Unrestricted flow through the valve**
- 2 **Correct sizing of the valve (tonnage)**
- 3 **Correct superheat rating on valve**
- 4 **Clean accurate sampling of superheat via the superheat capillary sensing bulb and tube.**
- 5 **Consistent flow of liquid refrigerant.**

Common faults with their corresponding diagnosis are listed below.

TX VALVE STUCK CLOSED OR BLOCKED

(Orifice Tube Blockage) Indicated by a lower than normal low side pressure or pulling into a vacuum. Foreign material blockages, usually from compressor or drier failure or poor servicing procedures show as a consistent low pressure/vacuum, whereas moisture freezing the TX valve is usually accompanied by an intermittent blockage with associated variations in low side pressure from normal to vacuum to normal etc.

Note When analysing TX/Orifice tube flow rates ensure the system is at near full charge levels. A vapour feeding the TX valve (resulting from a low system charge) will give the symptoms of a blocked TX valve.

TX VALVE/ORIFICE TUBE TOO SMALL

Will cause starvation of the coil and subsequent loss of cooling performance especially when heat loads increase (hot/ humid days). Usually accompanied by a lower than normal low side pressure and excessive superheat across the coil under moderate to high heat load conditions. Suction hose fittings or the top of the accumulator may feel warm indicating high superheat of the refrigerant returning to the compressor.

TX VALVE/ORIFICE TUBE TOO LARGE

A TX valve too large will cause flooding of the coil and possible liquid slugging of the compressor especially under low heat load/ start up conditions. An oversize orifice tube will probably not cause liquid slugging of the compressor due to the protection offered by the accumulator. however, with both TX valves and orifice tubes if they are too large a decrease in cooling performance will result due to higher than normal low side pressures (excessive flow rates). Higher than normal low side pressure will not allow the evaporator to “chill off” as it normally would.

CAPILLARY TUBE NOT SECURELY CLAMPED OR INCORRECTLY POSITIONED.

Poor sensing at the capillary tube will cause the TX Valve to stay open longer or not control the refrigerant flow flooding the system resulting in possible liquid slugging of the compressor.

CAPILLARY TUBE DAMAGE/LOST CHARGE

TX Valve stuck closed.

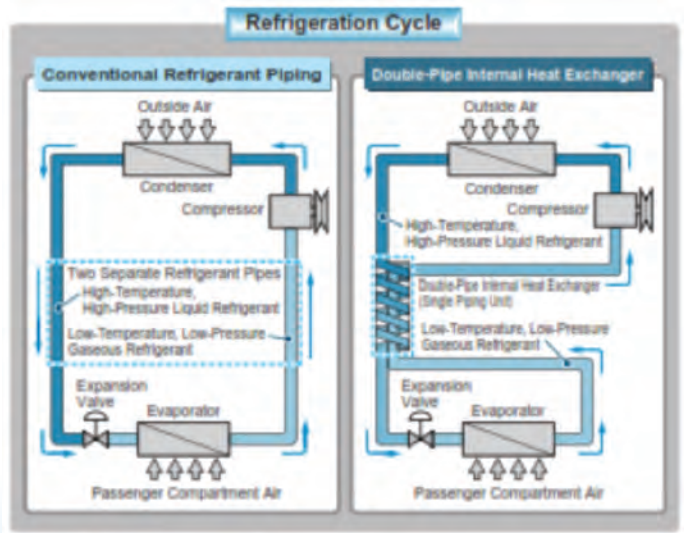
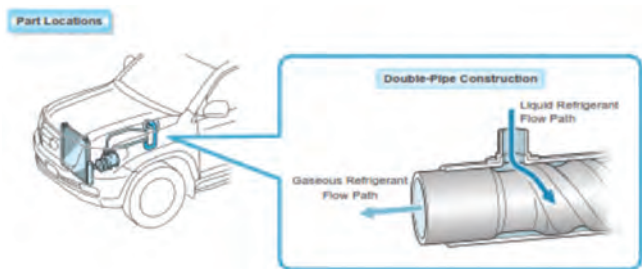
17. IHX or (Double Pipe) Internal Heat Exchanger

Although not a new concept for the commercial refrigeration industry the IHX is now being used in some automotive A/C applications.

An IHX is a device used to provide additional sub-cooling of the refrigerant after it leaves the condenser. It is achieved by running the liquid refrigerant from the condenser through a pipe containing low temperature vapour from the outlet of the evaporator assembly. The colder vapour absorbs additional heat from the liquid refrigerant passing through it. As the refrigerant entering at the TXV or Orifice tube has been sub-cooled the temperature of the refrigerant is much lower than conventional systems, heat transfer from the cabin to the refrigerant is increased.

The IHX also has the added benefit of ‘warming’ the return vapour to the compressor, the higher the temperature of the refrigerant the greater the performance of the compressor, the less load on the A/C system.

Performance improvements between 10% and 20% have been realized allowing for smaller condensers and compressors



18. Cooling Fan

Sufficient airflow to the condenser for all operating conditions from idle to highway running is essential for acceptable condenser performance. Two mechanisms bring air to and through the condenser, the engine fan and shroud and the ram air when the vehicle is in motion. The fan and shroud control airflow during idle, city traffic and low vehicle speeds. The ram air takes control at speeds over approximately 40 kph.

In current applications there are three basic types of fan drives.

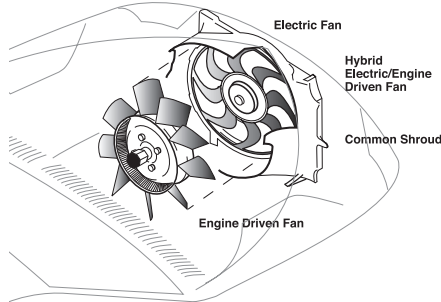
- 1 Electric motor driven which is the most common on passenger vehicles.**
This fan is usually one speed but two speed motors are also frequently used.
There are two types of configuration used, discharge (pusher) type fitted to the front of the condenser and suction (puller), fitted to the rear or engine side of the radiator.

Note In the majority of cases vehicles fitted with air conditioning run two electric fans.

- 2 Mechanically driven by the vehicles engine.**
The fan RPM varies with engine RPM.
Usually the fan is coupled to a viscous drive that limits the engaged fans RPM.
- 3 Hydraulically driven by a motor.** *This type of drive is usually used in those applications where a high-speed fan is required during idle and at low vehicle speeds.*

The operation of the condenser fan is controlled by various means

- 1 Engine coolant temperature**
- 2 Medium pressure switch**
- 3 A/C switch**
- 4 Engine management**



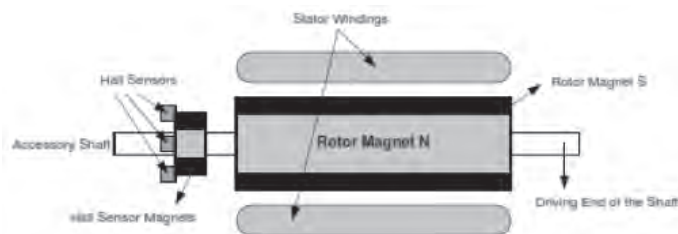
BRUSHLESS MOTORS

As the name implies, brushless motors do not use brushes for commutation instead this is done electronically. Advantages of a brushless motor over a brush type motor are:

- Better speed versus torque characteristics
- High efficiency
- Long operating life
- Noiseless operation
- Higher speed ranges
- Almost infinite speed control between operating voltage

Disadvantages;

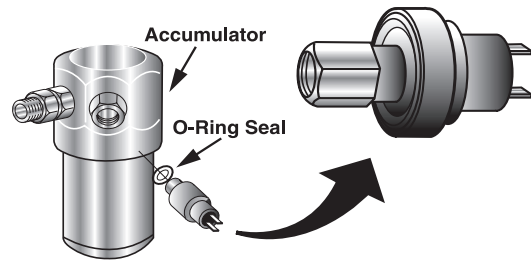
- Higher cost to produce
- Requires external controller
- Requires additional power source to energise the Hall sensors.



19. Clutch Cycling Switch

Refer to vehicle workshop manual for specifications.

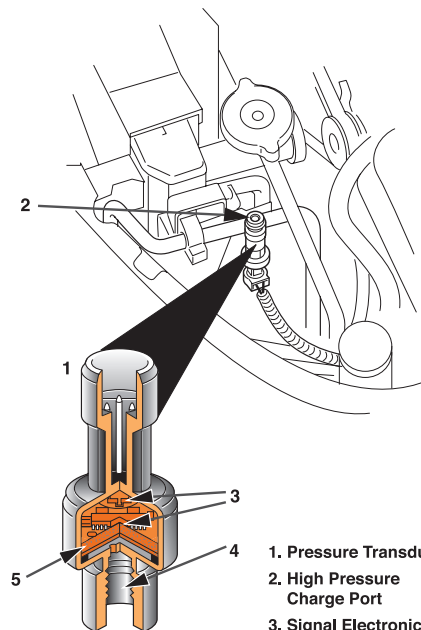
The absence of a thermostat on the CCOT A/C system makes it necessary to use other means of controlling the evaporator temperature. In this case the low pressure switch has been employed. Located on the low side of the system it is electrically connected in series with the compressor clutch. The switch cycles the clutch at approximately 165 Kpa (24 psi) and re-engages at 323Kpa (47psi) or above. The clutch cycling switch, will control the evaporator coil pressure at 200Kpa (29 psi) which corresponds to an evaporator coil temperature of approximately + 5°C. The low pressure switch also cycles the compressor clutch if system pressure becomes below safe operating pressure.



20. Pressure Transducers

The pressure transducer is similar to a standard pressure switch in that it senses the low pressure side. The difference is that the transducer is not a simple on-off device whereas the pressure switch is.

The transducer will usually receive a 5 Volt input (from the ECM) and provides a varying output from 0 – 5 volts depending on the pressure in the system. This output goes back to the ECM to allow control over functions of the A/C system such as compressor displacement (variable), compressor cycling, condenser fan operation etc.



- 1. Pressure Transducer**
- 2. High Pressure Charge Port**
- 3. Signal Electronics**
- 4. Pressure Port**
- 5. Ceramic Diaphragm**

21. Pressure Switches

BASIC SWITCH FUNCTIONS

There are 3 basic types of pressure switch, **Low, Medium, High**

Low Pressure Cut-off

A compressor protection switch which open circuits if the high side pressure drops below 2kg/cm² (30psi approx.) When the high pressure drops below 2 kg/cm² it usually means the system is low on refrigerant, if the compressor is allowed to continue operating it will starve of oil, overheat and eventually seize.

High Pressure Cut-off

The high pressure switch, is as the name implies, will cut-off the compressor if the system A/C pressure gets too high e.g. 28 – 32kg/cm².

This high pressure is normally caused by;

- Poor air flow over the condenser, i.e. fans not working, restriction to airflow etc.
- Too much refrigerant in the system
- Internal restriction to refrigerant flow

Medium Pressure – Cut-in or Cut-off

The medium pressure switch normally controls a fan either by controlling a relay or ECM. Depending on the wiring configuration it can be either normally open or normally closed.

COMBINATION SWITCHES

Types of switches commonly used;

- **High / Low (binary switch)**

Single circuit, 2 wire



- **Low / Medium (trinary switch)**

Dual circuit, 4 wire

- **Low / Medium / High (trinary switch)**

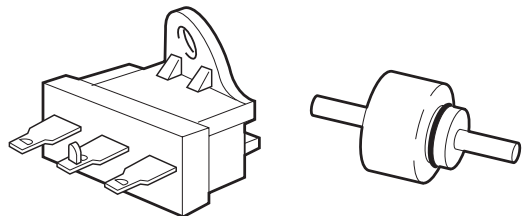
Dual circuit, 4 wire



22. Thermal Switches

Super Heat Or Thermal Limiter Switch

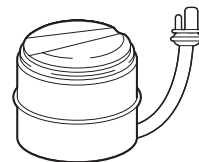
Superheat switches were common with GM compressors and are now widely used by Sanden, Zexel, DENSO etc. under the title of **Thermal Limiter Switches**. They are used when discharge line/compressor temperatures exceed a predetermined level deemed to be excessive by the compressor manufacturer. At high temperatures oil loses its thermal stability, may oxidise and/or its EP (extreme pressure) additives may begin to break down. This results in excessive wear rates and or failure of the compressor.



Note Under no circumstances should the thermal limiter switch be bypassed, reset or replaced with one of a higher value unless it is under the direction of the compressor or system manufacturer. Doing so will void the warranty and dramatically increase the risk of premature failure of the compressor.

Liquid Line Temperature Switch

Not commonly used - utilised more in agricultural off road applications, it is clamped onto the liquid line and performs the same function as the high pressure cut switch - except it uses refrigerant temperature instead of pressure - 90°C which relates to a high side pressure of approximately 2600 kPa (380PSI).



22. Thermal Type Switches

SWITCH APPLICATION

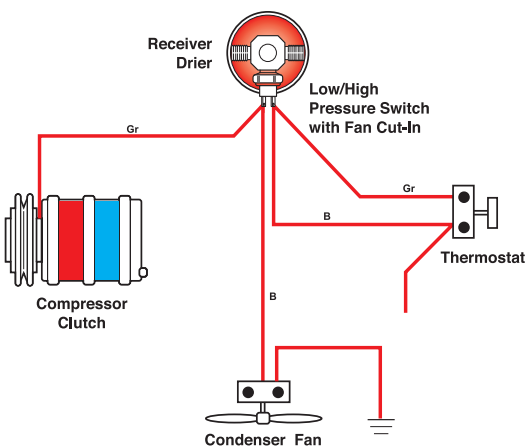
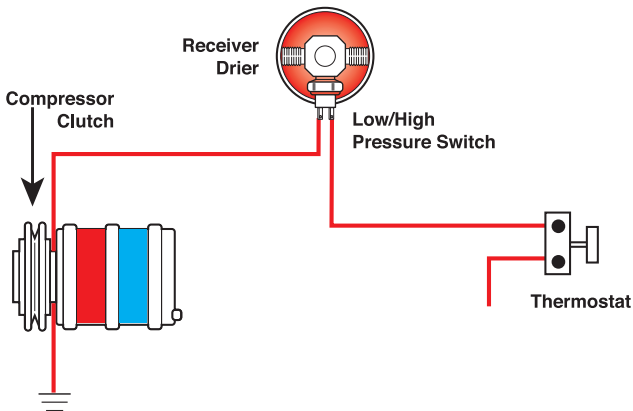
Low Pressure Cut switches should be used on all systems. Usually incorporated with a high pressure cut switch in the form of a binary.

The setting of the high pressure cut switch must always be lower than the value of any pressure relief valves/fusible plugs etc. that are incorporated into the system.

Many binary switches are now incorporated into the Amplifier or Engine Control Unit circuitry in a request circuit (to "tell" the amplifier/ECU the pressures are okay and the air conditioner clutch may be engaged).

These may be low current switches and should not be used as a main series switch in the clutch circuit unless a relay is added into the circuit.

Medium pressure switches are used to reduce fan noise and electrical loads in the modern motor vehicle. The application of medium pressure switches is strongly recommended on vehicles regularly operating in highway/rural environments. It is totally unnecessary to have a condenser fan/s operating above 40km/h and in fact can hinder the operation of the viscous drive hub by blanketing airflow to it. In severe cases this "blanketing" effect can cause the engine to overheat under highway cruise conditions.



SWITCH FAULT DIAGNOSIS

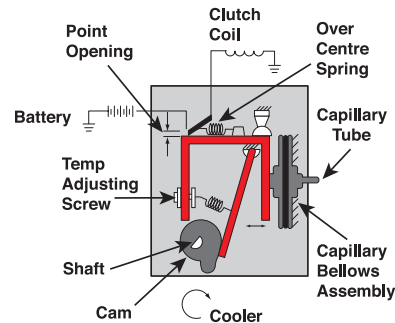
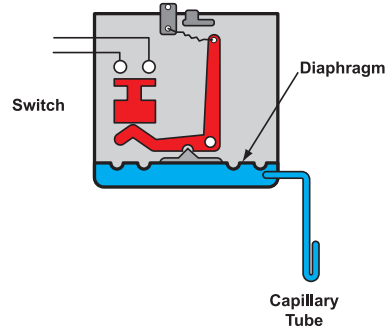
A high/low pressure switch activation is normally identified by relatively rapid cycling of the clutch and is easily verified by a pressure gauge check. Thermal switch/superheat switch activation is identified by a long "off" cycle, usually occurring on hot days at higher compressor speeds (highway cycle). It is unlikely under normal system conditions to promote activation of the thermal switch at low compressor speed (workshop simulation).

23. Thermostats & Thermistors

The basic function of the thermostat/thermistor is to monitor the evaporator temperature and to control it to within a set temperature range. Incorporated into this is its second function - to prevent the coil from freezing up - thereby reducing airflow and in severe cases causing liquid slugging of the compressor.

Mechanical Thermostat

Simply a bellows assembly connected to a refrigerant filled capillary tube. The capillary is inserted into the downstream side of the evaporator coil (except for air sensing thermostats). When the evaporator temperature is high the bellows expansion closes the contacts to complete the clutch circuit. When the evaporator "chills off" the bellows force reduces and at a predetermined level (0 -20°C coil temperature) an opposing spring opens the contacts.



24. Thermostat Fault Diagnosis

A thermostat should be set to cycle out at **0 - 2°C Temperature** which normally corresponds to **3 - 6°C Vent Temperature** (low fan speed, vent nearest the coil, system stabilised with vents/ducting cool).

Due to variations in duct length/design and "heater bleed", duct temperatures can be misleading. Analyse both duct temperatures and gauge readings with the heater pipes blocked to verify a faulty thermostat.

Clutch Fail To Engage

Capillary tube broken, cracked, with the charge escaped or contacts dirty/failing to close (check adjustments as required if applicable) - alternatively replace thermostat.

Evaporator Coil Icing

Thermostat set too cold, capillary not inserted into the coil/located incorrectly. Alternatively, replace thermostat.

Rapid Cycling

If the base setting is okay - replace thermostat.

Long Defrost Cycle

If base setting is okay replace thermostat (unless it is dual adjustment thermostat that responds correctly to adjusting).

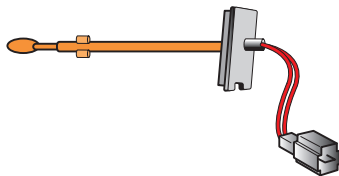
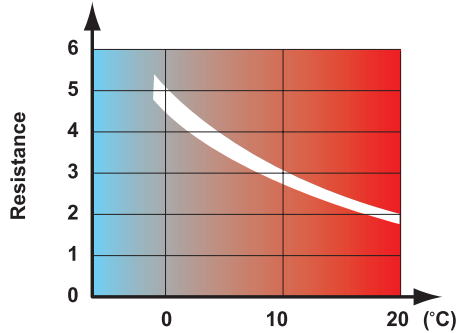
Significant Warming On Defrost

Usually accompanied by long defrost cycles - check base setting. Alternatively, replace thermostat.

24. Thermostat Fault Diagnosis

Electronic Thermostat

Used in conjunction with a thermo amplifier, or Electronic Control Unit. A Thermistor is defined as a sensor that changes its resistance dependant on temperature.. As the thermistor (located in the evaporator coil or the air stream at the evaporator) changes its resistance the thermo amplifier identifies the change and at preset values switches the clutch off/on.



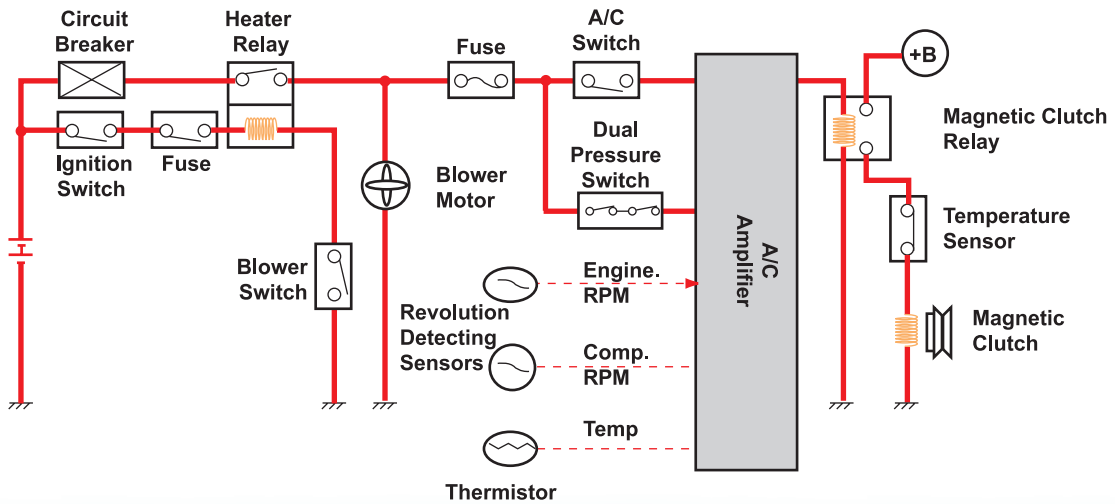
25. Thermistor Fault Diagnosis

The first step in thermistor/amplifier diagnosis is to disconnect the thermistor and check its resistance verses temperature relationship against manufacturers specifications. If no specifications are available to operate the system chill the evaporator off and monitor the resistance values. As the coil temperature decreases resistance should Increase (Negative temperature co-efficient thermistors are normally used).

Note

The thermistor must be isolated from the circuit when performing resistance checks. The general process for the magnetic clutch to be energised is shown below.

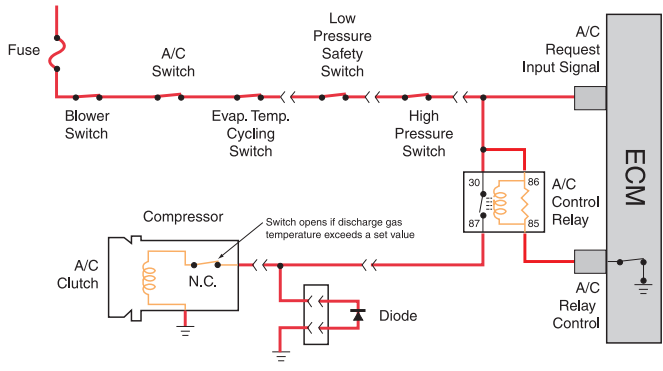
1. Ignition Switch "ON"
2. Blower Switch "ON" -Heater Relay "ON" (Blower motor "RUN")
3. A/C Switch "ON" -A/C Amplifier "ON" (A/C Amp. Main Power Supply)
4. Dual Pressure Switch "ON" Refrigerant Condition (greater than 2.1 kg/cm², (30 psi, 206kPa)) or less than 27kg/cm².
5. Thermistor supplies temperature of evaporator to A/C amplifier.
6. Magnetic Clutch Relay "ON"
7. Temperature Sensor "ON"
8. Magnetic Clutch "ON"
9. Revolution detecting Sensors supply RPM of compressor and engine to A/C amplifier. If compressor is not locked, magnetic clutch is continuously energised.



26. Circuit Diagnosis

ELECTRONIC CIRCUIT DIAGNOSIS

Almost without exception in the light vehicle arena the air conditioning clutch is now activated (energised) via the main engine management computer (ECM).



The system is as follows;
The ECM has ultimate control over the air conditioner clutch status (on/off) dependent upon a number of conditions being met. These conditions may include such things as engine overheat/undertemp, power steering on, low atmospheric pressure, engine fault identification, engine overspeed, vehicle over-speed etc.

Fault Diagnosis

Fault diagnosis of these systems is complex however the following tips can be used as guidance

- 1 **Thermostat/Thermistor testing is normal**
- 2 **The ECM must receive a request signal to energise the clutch**
- 3 **An exacting set of engine conditions must be met to energise the clutch**
- 4 **Clutch relay operation is normal**

Note clutch relays are normally ground switched.

Note A good quality multimeter with at least 10 megaohms impedance **MUST** be used when working on electronic control systems.

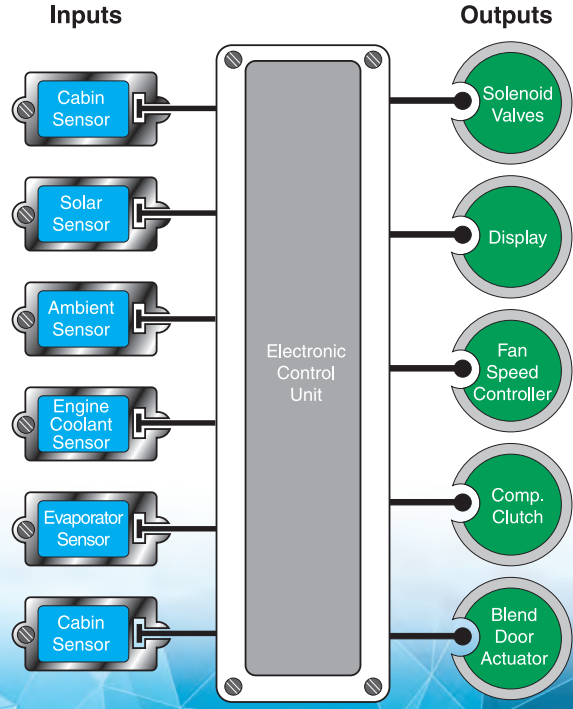
27. Electronic Climate Control

Electronic Climate Control systems use various input thermistors to monitor ambient/cabin conditions. These thermistors (sensors) monitor ambient temperature, evaporator-temperature, intake air, air off (duct temperature), cabin temperature, sunload, engine coolant temperature. A driver nominated desirable cabin temperature is selected (eg. 22°C) and the ECC computer analyses all input sensor data and interprets it accordingly. In response to the input data the ECC computer will then control

- 1 **the blend door position to mix hot/cold (evaporator/heater) air together in the desired ratio to give the best output air (duct air) temperature**
- 2 **Fan speeds**
- 3 **Air distribution**
- 4 **Heater valve opening**
- 5 **Compressor clutch operation.**

For ECC system testing the relevant workshop manual **MUST** be referred to. Basic diagnostic tips are as follows:

- 1 **All testing must be done with a good quality high impedance meter (10 megaohms +)**
- 2 **The basic air conditioner fault diagnosis (ie pressure analysis, evaporator frosting etc) is as per normal.**
- 3 **System servicing is as per normal (maximum cold selected).**
- 4 **Downstream of the ECC computer, the main Engine ECU still has ultimate control over clutch energisation. The ECC computer "ASKS" (via a request signal) the main Engine Control Unit for clutch energisation, which will be dependent on the aforementioned engine operating conditions being met.**



28. Repair & Service Procedures

The information contained within this section aims to provide guidance for service personnel in the servicing and repair of automotive air conditioning systems.

Please refer to the relevant state's code of servicing procedures when working with Ozone depleting refrigerants. The information contained herein should be read in conjunction with specific equipment instructions and relevant workshop manuals as required.

SERVICING PROCEDURES

Note Safety glasses must be worn at all times when working with refrigerants.

Initial Inspection

Initial Inspection should include

- 1 **Visual inspection of the system for leakage as may be indicated by oil stains.**
- 2 **Connection of manifold and gauge set.**
- 3 **Analysis of system pressures and temperatures.**
- 4 **Leak testing the system (electronic or dye inspection).**

Notes

- 1 If the system is low or empty it will be necessary to add a diagnostic test charge to facilitate leak testing/performance testing of the system.
- 2 Contact with the customer should be made at this point (if required) re-service/repair procedures and the associated cost.

Refrigerant Recovery

- 1 **Prior to recovery ensure the refrigerant is R134a or an alternative. A refrigerant identifier may be required if service history is not available.**
- 2 **DO NOT mix refrigerants.**

Recovery Procedure

- 1 **Connect the centre (or vacuum/recovery hose) from the manifold and gauge set to the recovery station inlet.**
- 2 **Check the oil accumulator to ensure oil is not stored from previous services.**
- 3 **Start the recovery station with the recovery cylinder valve/s open and open the high/low manifold valves.**
- 4 **When recovery is complete close all valves and disconnect the recovery unit.**
- 5 **Recover (non retrofit situation) and replace with fresh clean oil of the relevant type and viscosity.**
- 6 **NEVER REUSE REFRIGERANT OILS**
- 7 **DO NOT OVERFILL RECOVERY CYLINDERS (80% Maximum fill)**
- 8 **Completion of recovery is the stage when the system is opened if necessary and the appropriate repairs are undertaken eg. compressor oil checks, receiver drier or component replacement or any other repairs on the refrigeration system as necessary.**

Notes

- 1 Some recovery stations and compressor designs only recommend either high or low valves be open. Excessive oil removal from the system may result from opening both valves.
- 2 In retrofit ensure both valves are fully open as maximum oil removal is desirable.

Evacuation

With the system recovered and repaired as required an evacuation is performed for a minimum period of 30 minutes (routine service/repair) or longer as required. The primary reason for a deep evacuation for 30 minutes plus is to allow the moisture to be vapourised and removed from the system. (Lower pressure = low boiling point).

Evacuation Procedure

- 1 **Connect vacuum pump to centre/vacuum hose of manifold and gauge set**
- 2 **Service/check vacuum pump oil as required**
- 3 **Start vacuum pump and open valve on manifold (if four way manifold type) and the low side hand valve**
- 4 **After two minutes the high side gauge should be well below zero. If it does not drop a system blockage or system leak is indicated.**

Note This procedure was opposite - open high valve - check low gauge for dropping - however this procedure is invalid for system blockage checks when the system is equipped with an easily opened discharge reed valve such as Sanden TR compressors. (The reed valve is pulled open by the vacuum applied through the high side).

- 5 **Continue evacuation for thirty minutes or more;**
- 6 **Close all hand valves, then switch off the vacuum pump;**
- 7 **Perform a "vacuum hold test" in accordance with the relevant State's code of Practice. A failure to hold a vacuum may be due to a system leak or moisture still "boiling off" in the system**
- 8 **Continue evacuation for a further thirty minutes and recheck.**

Double and Triple Evacuation Procedure

If the system has been open or empty for a long period, evacuation times must be extended. To alleviate long evacuation times a double or triple evacuation may be performed.

Procedure

- 1 **Carry out an initial evacuation of approximately 15 to 20 minutes duration.**
- 2 **Close all hand valves - switch off vacuum pump.**
- 3 **Add a small quantity of refrigerant (opinion varies between 200g and half system charge). This refrigerant is referred to as a "blotting" or "sweeping" charge that will serve to absorb residual water vapour remaining in the system.**
- 4 **Recover blotting charge and re-evacuate the system for a further 20 -30 minutes. - For a triple evacuation repeat this procedure.**

Single Evacuation (30 minutes) = **90% efficiency**
Double Evacuation (30 minutes) = **97% efficiency**
Triple Evacuation (30 minutes) = **99% efficiency**

Note

See Servicing Equipment - Vacuum Pumps for further information re: vacuum levels/efficiencies

28. Repair & Service Procedures

SYSTEM CHARGING

Charging procedure recommendations vary between manufacturers but basically dictate either **VAPOUR** or **LIQUID** charging.

Vapour charging (charging from the top of the dial-a-cylinder or vapour outlet on the cylinder) **IS SAFER** but much **SLOWER**, particularly on cold days. For this reason the common practice is **LIQUID CHARGING** at below 275kPa (40psi) thereby allowing the liquid to vapourise in the charging lines before entering the compressor/system.

Charging Procedure

- 1 Connect centre hose of manifold to dial a cylinder or cylinder outlet. Purge the charging hose of air as required
- 2 Open the cylinder valve/refrigerant valve and the high side valve and observe both gauges rising. If the low side gauge does not rise a system blockage is indicated;
- 3 When sufficient refrigerant has entered the system to activate the low pressure switch (say 250 grams for light vehicle applications) close the high side hand valve
- 4 Rotate the compressor 10 -12 times by hand to ensure no liquid is trapped on the suction side of the compressor.
- 5 With the engine running at 1500 - 2000 RPM, the air conditioner on **MAX COLD, HIGH FAN SPEED, DOORS/WINDOWS OPEN**, complete the charging through the low side, controlling the flow to ensure the low side gauge does not exceed 275kPa (40psi).

Important Note

CHARGING IN EXCESS OF 275kPa MAY ALLOW LIQUID TO ENTER THE SUCTION SIDE OF THE COMPRESSOR POSSIBLY CAUSING SERIOUS DAMAGE.

The correct charge can be determined by the following

- 1 Charge to manufacturers specifications;
- 2 Ensure the pressures are in accordance with the pressure/temperature chart

Note

Bubbling/foaming sight glasses are a normal operating condition on many R134a genuine and retrofitted systems. The sight glass should no longer be used as an absolute indicator of charge rates.

29. Leak Detection

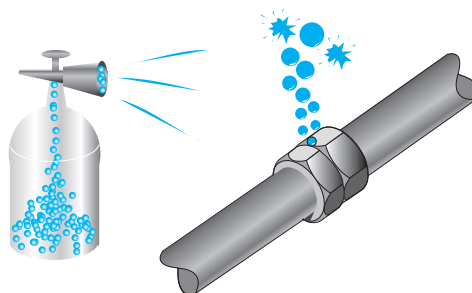
Of all the problems faced by the air conditioning industry - one of the most troublesome is the gas leak. To this end, various methods from the simple soap solution to fancy fluorescent dyes are employed to fix the problem. As to the most efficient method the choice is yours. The following information may help you make the right decision on your method of leak detecting.

Guidelines

- 1 Look for the presence of oil and caked on dust at suspected leaks as it may indicate a leak.
- 2 All assembled joints should be dried of oil with a clean dry rag prior to leak testing.
- 3 Cleaning with solvents may cause electronic leak detectors to falsely indicate a leak.
- 4 Check the evaporator coil through pre dried/cleaned drain tubes and through resistor/transistor opening as required.
- 5 Air movement over the tip may give false readings - leak testing should be done with the system not operating.
- 6 Valves do not leak on removal of the service hoses.
- 7 Always check under components as gas is heavier than air.
- 8 Avoid touching components with the leak detector tip.
- 9 Prior to using an electronic detector check sensitivity by introducing it to a small amount of gas.
- 10 Ensure system pressures are high enough to detect leak. e.g. System pressures should be comparable to a full gas charge on a hot day.
- 11 Do not switch an electronic leak detector on in the immediate vicinity of a suspected leak as it samples the surrounding air as a guide.
- 12 Ensure the correct fluorescent dye is used. The most desirable fluorescent colour is yellow-green, roughly at 565 nm.

SOAP SOLUTION

Effective for detecting small leaks. A Plastic spray container with a mixture of soap and water applied to the suspected joint will produce bubbles if a leak is present.

**ELECTRONIC DETECTOR**

Most of the leak detectors available are fully automatic and will detect HFC, HCFC, CFC, Gases and blends. Senses utilized are; Heated Diode, Cold Cathode Diode and Ion pump. The detector works by taking a sample of air and reacting to any changes. Once the unit is switched on it gives out a low "Beep" or "Ticking" sound which increases when a change in surroundings is detected.



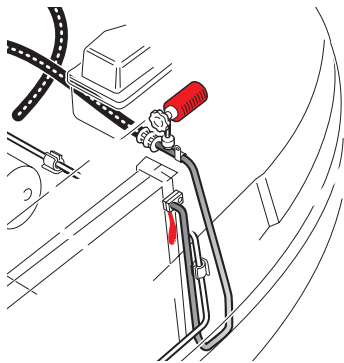
29. Leak Detection

REFRIGERANT DYE

Effective for “Cold” or “Pressure” leaks.

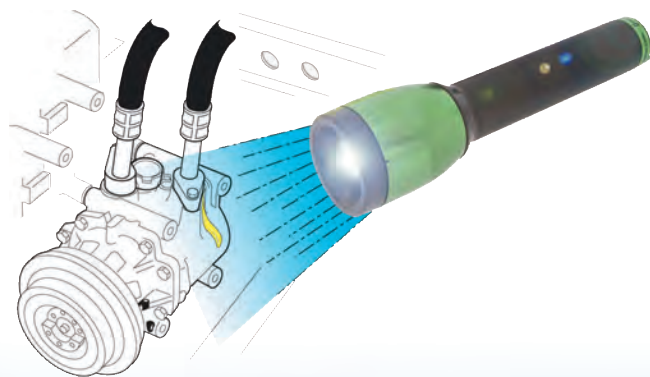
Dye is used for those hard to find leaks. This method simply entails injecting refrigerant dye into the system with the refrigerant. The only setback with this method is that the leak can not normally be detected at the time of the repair, which means the owner must drive the vehicle and operate the A/C for a few days before returning for further leak checks. Any leak should then be evident by the sighting of dye traces.

Note As the dye remains in the system until the system is flushed it is also beneficial for detecting future leaks.

**ULTRAVIOLET FLUORESCENT**

Effective for “Cold” or “Pressure” leaks.

This method is different to injecting with normal refrigerant dye in that the dye used is an ultra violet type. Once the dye is injected into the system and it has circulated, a special UV lamp then highlights any leak by means of a bright fluorescent glow. The main benefit of this dye is that you can normally detect a leak at the time of the repair.



30. Vacuum Pumps

SINGLE STAGE PISTON VACUUM PUMP

Due to a basic design limitation single stage piston pumps only achieve a vacuum of approximately 28 In Hg (-94.8kPa) and are therefore **not suitable for the evacuation of automotive air conditioning systems. Hermetic dome compressors and converted airconditioning compressors of this design are likewise not suitable as vacuum pumps.**

SINGLE STAGE ROTARY PUMP

The single stage rotary pump is capable of pulling a vacuum of approximately 29.91 In Hg (200 microns) or better and as such will perform adequately on general automotive air conditioning systems.

TWO STAGE ROTARY PUMPS

A second stage incorporated into the pump draws left over gases and vapours from the first stage and exhausts them to the atmosphere. This second stage attains vacuum's in order of 20-40 microns. Larger capacity two stage pumps are generally recommended for the larger long hose run systems, although they of course offer excellent performance on smaller systems, particularly in areas of higher humidity.

31. System Fault Diagnosis

Inadequate Vacuum

Air, moisture and residual gases and vapours if not removed during evacuation may cause significant problems in the system. These include;

Excessive Head Pressures

Air and other NCG'S (Non Condensable Gases) cause increase in head pressure due to

- 1 **The mixture having a higher pressure/temperature relationship.**
- 2 **Air/NCG's tend to get “caught” in the upper part of the condenser and rob the condenser of valuable heat exchanging space.**

Corrosion

In order to improve efficiency, whilst reducing weight and size, air conditioning componentry has dramatically reduced wall thickness (particularly the heat exchangers). The need to minimise moisture levels, therefore acid formation cannot be overstated since acids will dramatically reduce to the life of the aforementioned componentry.

TX Valve/Orifice Tube Freezing

Small water droplets will form ice crystals on the TX valve/orifice tube as soon as they are in the reduced pressure/temperature environment of the low side of the system (exiting the TX valve). This causes a restriction with an associate drop in performance due to a starvation of the evaporator coil.

Sludging

Oil, water and acids combining in the system may dramatically reduce the performance of the oil in lubricating extreme pressure surfaces adequately. (ie sliding surfaces under pressure).

32. Oil Charge Capacities

When checking oil levels and adding or changing oils the following considerations must be taken into account.

- 1 Use only the correct type and grade of oil for the compressor concerned.**
R12 systems are MINERAL based oils
R134a systems use SYNTHETIC oils
Electric compressors POE oils ONLY
- 2 With a system stabilised at 1500RPM approximately 30% of oil is circulating in the system at any time. This varies significantly with system design but can be used as a guide when changing oils without flushing the system.**
ALLOWANCE MUST BE MADE FOR THE OIL REMAINING IN THE SYSTEM IF FLUSHING IS NOT CARRIED OUT.
- 3 Do not overfill systems with oil. An overcharge of oil is as undesirable as an undercharge.**
- 4 Approximately 15cc (0.5 fl oz) will remain as a film coating on the internal surfaces of the compressor when it is drained.**
- 5 When adding oil to compensate for losses when component changing the following guidelines can be used.**

Evaporator	-	40 - 60ml
Condenser	-	30 - 40ml
Receiver Drier (fdr)	-	15 - 20ml
Accumulator	-	60ml
Hose/Pipe	-	10 - 15ml
- 6 Extra oil charge will need to be added for systems with long hose runs or dual/split systems.**

Add 20 - 30cc oil for each "additional" evaporator or condenser.
Add 5cc per metre of hose where the total hose length exceeds 5 metres.

7 Oil Balancing

When a compressor is replaced but no oil has been lost from the system AND the system does NOT require flushing an oil balance must be done.

- Drain remaining oil from the old compressor into a measuring cup and note quantity of oil.
- Drain the oil from the new compressor and add back the same amount of oil as the old compressor.

FAILURE TO DO AN OIL BALANCE CORRECTLY MAY RESULT IN AN OVERCHARGE OF OIL IN THE SYSTEM REDUCING SYSTEM PERFORMANCE.

If an A/C system has been flushed, or needs to be flushed;

- Do NOT flush through a new compressor
- Do use a full charge of oil in the new compressor

33. System Flushing

Today, the use of CFCs and or Methylchloroform in any procedure in which the flushing agent is vented to atmosphere is banned. With the likes of R12 and R13, which were popular refrigerants used for system flushing no longer in production, other means of removing contaminants were needed, whether this was for a vehicle requiring a retrofit or the necessity to change a faulty compressor.

The question that is high on the list of the most frequently asked is "how much flushing agent is required". To me this is the same as asking, "How long is a piece of string". The answer is the severity of contamination dictates the extent of "flushing". Regardless of whether or not a cleaning solvent is used, it is important to remember that A/C system flushing will only remove some of the metal particles (smallest and lightest). It is not completely effective in removing all of the metallic debris after a compressor failure.

Ground Rules

As stated above, much has been written on the subject of "Flushing". Many views exist, so we lay out some current ground rules which most of the industry agree on.

- 1 When specific manufacturers dictate policy with respect to their systems that policy should be adhered to particularly when there are warranty implications.**
- 2 Flushing remains a system specific procedure and each case must be individually assessed.**
- 3 It must be verified prior to the use of any flushing compound (agent) that the nominated compound can be "boiled off" (vapourised) under vacuum, otherwise chemical contamination of the system could occur.**
- 4 Remove and manually "wash out" remote sump compressors.**
ie; York CCI, Tecumseh, GM A6 etc.
- 5 Add oil directly into the compressor after flushing and prior to system start up.**
- 6 Conduct a 1-hour evacuation at the completion of flushing.**
- 7 Replace FDR/Accumulator at the completion of process.**
- 8 Residual mineral oil may be a significant limitation on system performance.**

33. System Flushing

FLUSHING PROCEDURES

R134A/R141B – Liquid

R141b can be circulated through the system using a pump or an approved pressure flushing machine. The compressor, TX Valve/ Orifice Tube, EPR Valve, Receiver Drier and traps such as fuel coolers, expansion mufflers etc must be isolated or removed from the system prior to flushing.

The advantage of flushing with liquid R134a or R141B is that it permits the use of an inexpensive flushing agent, which if reclaimed can be reused.

The disadvantage of using a refrigerant is that it is not highly effective at removing debris. It does an excellent job of removing all the oil and some debris, which is fine if you are doing a flush prior to a retrofit, but in the case of a failed compressor some manufacturers also recommend that an in-line filter is also fitted to either the high or low pressure side of the system. This will capture any debris flowing around the system after the repair is carried out. But be aware, fitting in-line filters may cause their own problems by blocking up and as a consequence damage the compressor.

Something else that must be taken into consideration when flushing, whether the A/C components are flushed individually or components combined you will also require some special connectors.

SOLVENTS/FLUSHING AGENTS

These agents used on their own are probably just as effective as using the refrigerants mentioned previously, but used with a dedicated flushing machine or pressurised flush gun, it has been stated, improved results have been achieved.

A common method used for this type of flush is the “closed loop”, a procedure where in the case of a compressor failure the components can be flushed separately or in series. There is also the option in the case of heavier contamination of going further and doing the more extensive “reverse flush” procedure.

As with refrigerants, solvents etc, although removing oil and some surface debris, the bulk of the residue from a failed compressor will remain in the system.

Whether they are called solvents or flushing agents the amount of flushing mediums on the market are numerous and increasing every day.

Make sure the flushing agent being used is recommended for automotive A/C application. There are some solvents etc on the market supposedly designed for flushing, however, there is a question as to whether these solvents etc will vaporise and come out of the system when a deep vacuum is pulled. If residue agents remain in the system, the chemical stability of the refrigerant and oil may be affected.

Simply put, the following cannot be used for flushing; Turpentine, brake cleaners, liquid spot removers, detergents or soaps.

OPEN LOOP

This programme requires adaptors, supply tank, recovery tank, hoses and flushing agent. Isolate the component to be flushed. You will need to remove the orifice tube or the expansion valve. Add flushing agent to the supply tank, maximum pressure should be 270kpa (40psi). If flushing a condenser reverse flush and then forward flush. increase pressure to 551kpa (80psi) using dry nitrogen for 30 minutes after all flushing agent has been captured.

**LIVE FLUSH****Why “Live flush”?**

After a compressor failure a black residue is evident in the A/C system. This residue is a combination of solder flux from the condenser mixed with aluminium shavings from the failed compressor. These two materials lodge in the bottom of the condenser, and when the system is cool, become a solid mass. This explains why, even though the condenser is flushed repeatedly, the flux and shavings residue cannot be removed. Because the mass of residue is a solid when the A/C system is not running, and the condenser is therefore cool, it cannot be flushed out. Carrying out a normal flushing process will eventually produce an apparently “clean” system, even though that solid mass is still sitting in the bottom of the condenser. Also, gauge readings will not indicate a definite blockage, as this solidified mass is not normally in sufficient volume to actually block the condenser.

However, as the A/C system runs, and the condenser warms, the solid mass starts to liquefy, and begins to flow out of the condenser and into the system where it can become trapped in the TXV and Orifice tube. This will most likely lead to the compressor failing again. The “Live Flush” procedure involves carrying out the system repair as normal, including a normal flush. The difference is that, instead a hose with a filter is installed between the outlet of the condenser and the inlet of the liquid line. The A/C is run for approximately 1 hour. During this time the residue will liquefy and be trapped by the filter. The system is then evacuated, and returned to original condition.

Note

If all this seems too much, do what the manufacturers recommend, carry out a normal flush and then fit a new condenser.



34. Evaporator Odour

SOURCES OF A/C CONTAMINATION

As you will see from the following, there are various sources of odour present in the A/C system. Dust or dirt in the ductwork, microbiological growth in drip pans, coils, improper use of sealants or cleaning compounds refrigerant leaks, smoking, body odour, cosmetic or animal odours. The vehicle air conditioning system will compensate to an extent for some of the above problems; it is up to the vehicle operator to look at the rest. The odour that appears to cause most heartache to the technician is the musty smell one can often perceive when switching on the air conditioning.

WHAT CAUSES ODOUR

Because of the low temperature of the cooled air inside the evaporator, the absence of sunlight and also the limited water discharge, an ideal medium for the growth of bacteria and fungi is being formed. The odour is caused by bacteria growing in condensate remaining in the evaporator housing an evaporator coil.

Note

Numerous people believe that air conditioning causes colds because of the large temperature fluctuations. It has however been proved that in more than 90% of all cases, illness and infections are due to bacterial contamination of the air conditioning system.

ODOUR REMOVAL

Removing the evaporator coil and washing it with a mineral spirit such as white vinegar is probably one of the most effective method of removing contaminants, but obviously not the most cost effective. Another option is to install an evaporator drier module. These electronic modules activate the blower motor for 5-10 minutes about an hour after A/C and engine shutdown.

The theory behind the module is that it clears the moisture from the coil, which substantially reduces the growth of adour-causing fungus in the HVAC case. The most popular option however is to use a spray pack of air deodoriser which will freshen the entire system by chemically neutralising and destroying a wide variety of odours. The following method is for removing evaporator contamination with the vehicle assembled and using an air deodoriser spray pack.

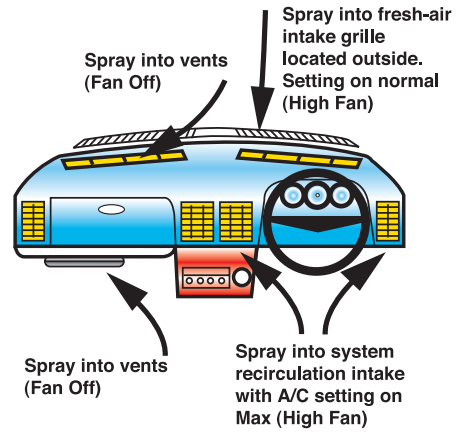
- 1 **Locate fresh air intake grill. Typically located out side vehicle running lengthwise near base of windscreen.**
- 2 **Set system on high fan and outside air**
- 3 **Spray approximately half of can into fresh air grill.**
- 4 **With fan off, spray one shot into each of the interior outlet vents.**
- 5 **Locate recirculation air intake located behind crash pad on passenger side.**
- 6 **Set system on high fan speed and max A/C, spray rest of can into recirc air intake.**

IMPORTANT

Allow vehicle to ventilate for 5-10 minutes, run fan on high speed with windows open.

CAUTION

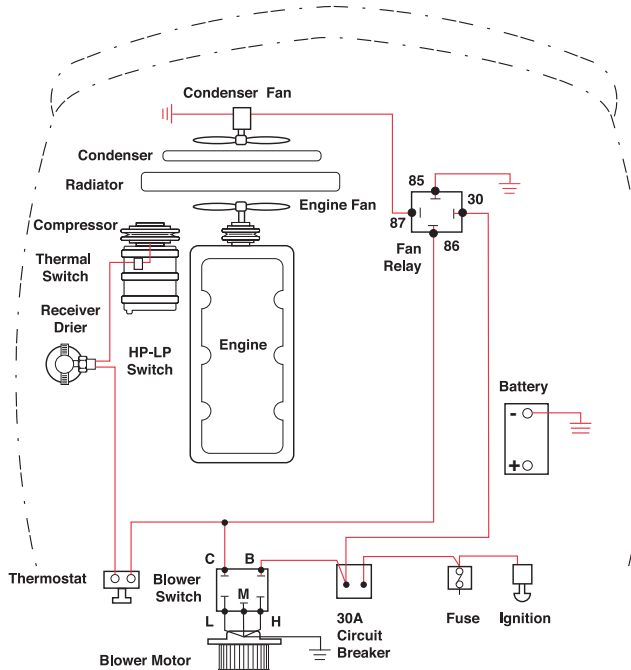
As the cabin fan is operating at high speed spray will emit from the vents, care must be taken to protect the face from these emissions, inhaling deodoriser or contact with the eyes may be harmful.



35. Basic A/C Wiring System

CAUTION

This is a basic diagrammatic layout for a simple air conditioning circuit. Extreme care must be taken with late model vehicles as incorrect wiring or testing can affect computer circuit boards. Circuit diagrams are supplied with late model integrated systems and the instructions should be strictly adhered to.

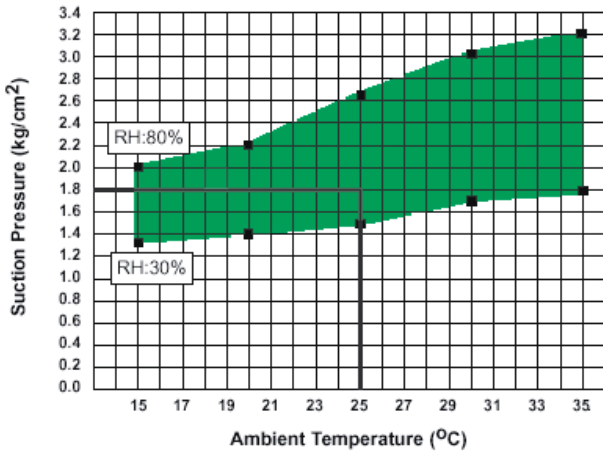


36. Performance Testing

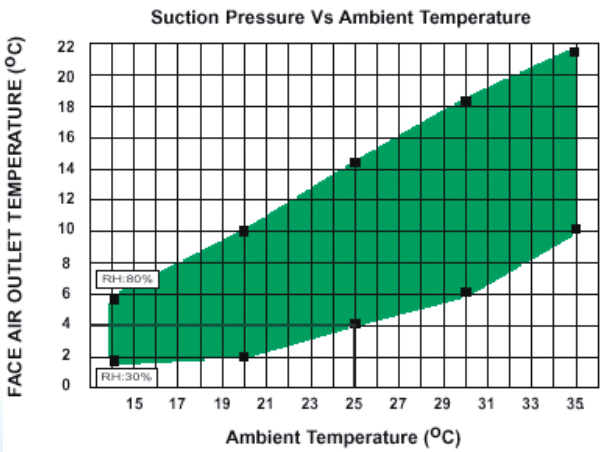
FIXED DISPLACEMENT CCTXV/CCOT SYSTEMS

- 1 Place vehicle in shaded area.
- 2 Open bonnet and windows.
- 3 Open all crash pad air outlets and direct air to blow straight ahead.
- 4 Set the A/C as follows, temperature to full cold, outside air, blower to full speed and engine speed to 1700 RPM.
- 5 With the compressor engaged record pressure and temperature readings and note ambient temperature.

Note
The graphs below are examples only, refer to the vehicle manufacturers repair manuals for the relevant procedures.



Ambient Temperature = 25° C
Pressure = 1.8KG/cm²
Centre Vent = 4° C

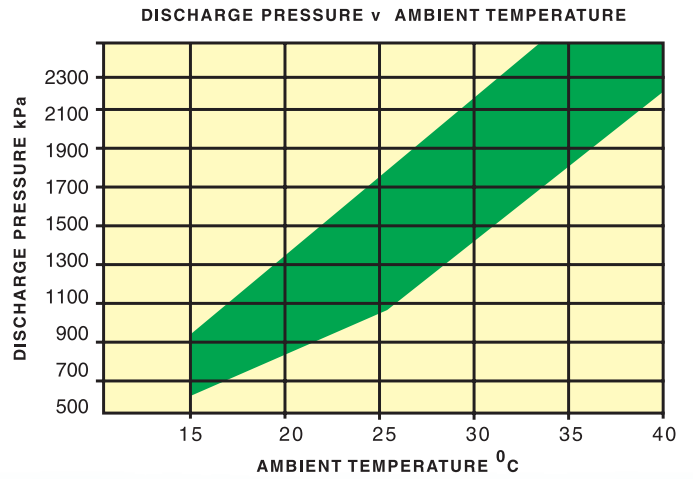
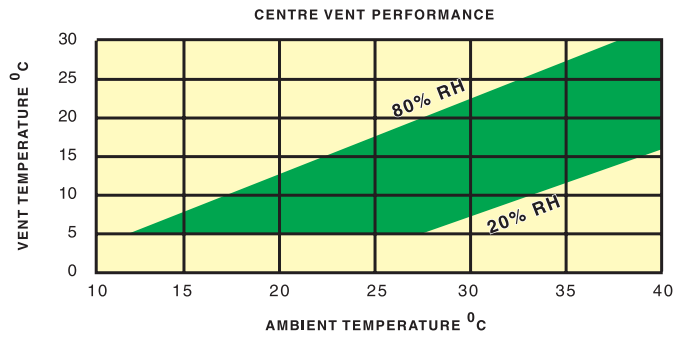


VARIABLE DISPLACEMENT SYSTEM

The following test is designed to increase the load on the A/C system and force the compressor to operate at maximum stroke.

Vehicle set up

- 1 Bonnet up, open doors and windows.
- 2 Select A/C full cold.
- 3 Highest fan blower speed.
- 4 Stabilize vehicle interior temperature to match ambient temperature.
- 5 Insert thermometer in centre vent position.
- 6 Engine at fast idle (1500rpm).

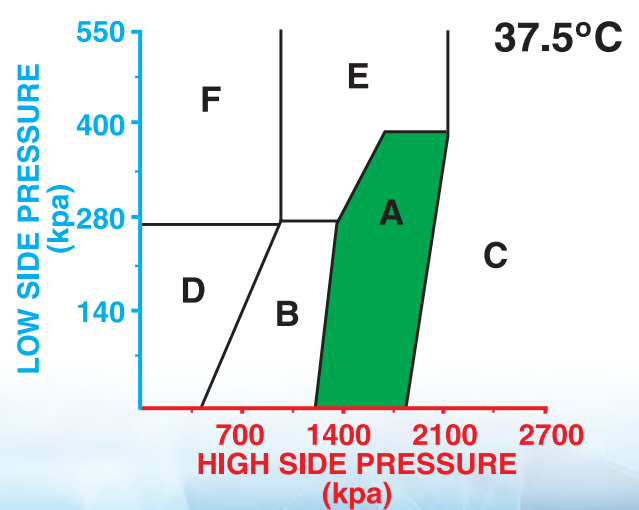
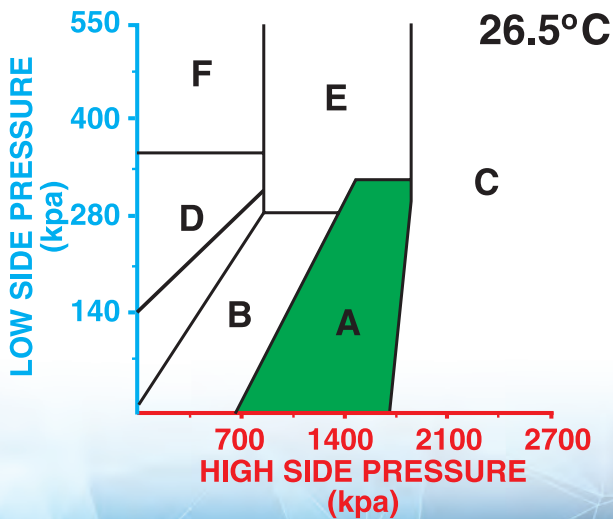
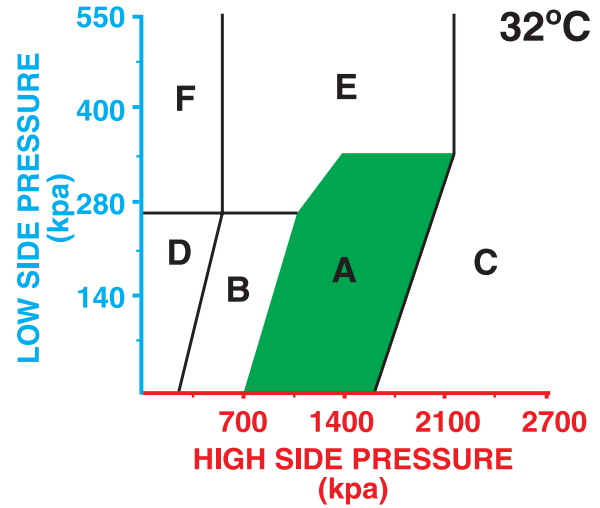
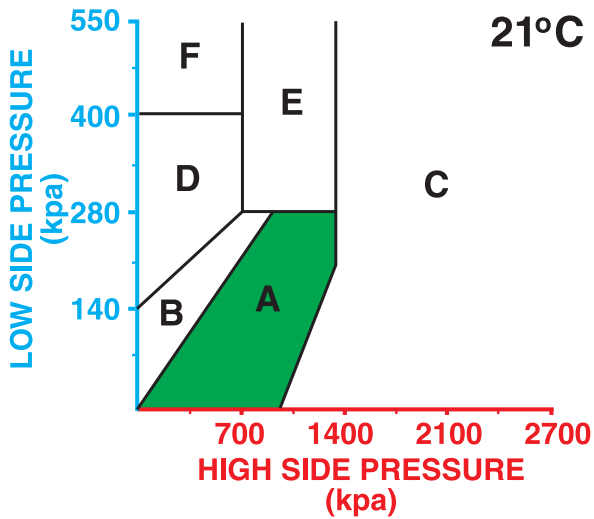


36. Performance Testing

A/C SYSTEM DIAGNOSTIC GRAPHS

Read the high and low pressures from vehicle. Plot the gauge pressure readings on the graph relevant or near the ambient temperature figures located on each graph. The pressure values will intersect in a letter coded area.

Note
The code letter "A" indicates that the system is functioning correctly to specification.



37. Temperature - Pressure Relation Chart

Temperature °C	Pressure (Kpa)				
	R134a	R404a	R507	R407	R12
-10	99	324	350	320	118
-8	115	355	382	345	134
-6	133	387	415	372	151
-4	151	420	450	400	169
-2	171	455	486	430	187
0	191	493	525	461	207
2	213	532	565	494	228
4	236	572	608	529	250
6	260	615	652	566	273
8	286	660	698	604	297
10	313	707	747	645	322
12	341	756	798	688	348
14	371	808	851	732	376
16	402	862	906	779	404
18	435	918	964	828	434
20	470	976	1024	880	466
22	506	1037	1087	934	498
24	544	1101	1152	990	533
26	583	1167	1221	1049	568
28	625	1236	1291	1110	605
30	668	1308	1365	1175	643
32	713	1382	1442	1242	683
34	761	1460	1521	1311	725
36	810	1540	1604	1384	768
38	861	1624	1689	1460	813
40	915	1711	1778	1539	859
42	970	1800	1870	1621	907
44	1028	1894	1966	1707	957
46	1089	1990	2064	1796	1009
48	1151	2090	2167	1888	1062
50	1216	2194	2273	1985	1118
52	1284	2301	2382	2085	1175
54	1354	2412	2496	2188	1234
56	1427	2526	2613	2296	1295
58	1502	2644	2734	2408	1359
60	1581	2767	2859	2524	1424

Part Number	Page
A	
A32008	888
AC2866	788
AC7276	788
AF0002	572
AF0008	554
AF0018	568
AF0019	568
AF0020	568
AF0021	568
AF0022	571
AF0023	571
AF0076	571
AF0077	571
AF0120	571
AF0130	571
AF0660	567
AF0870	563
AF1001	570
AF1002	570
AF1004	570
AF1101	522
AF1102	522
AF1103	522
AF1104	522
AF1111	523
AF1112	523
AF1113	523
AF1114	523
AF1121	524
AF1122	524
AF1123	524
AF1124	524
AF1130	571
AF1140	571
AF1180	554
AF1201	526
AF1202	526
AF1203	526
AF1204	526
AF1211	526
AF1212	526
AF1213	526
AF1214	526
AF1221	527
AF1222	527
AF1223	527
AF1301	527
AF1301-3	527
AF1302	527
AF1302-3	527

Part Number	Page
AF1303	527
AF1303-3	527
AF1304	527
AF1311	532
AF1311-3	532
AF1312	532
AF1312-3	532
AF1313	532
AF1313-3	532
AF1314	532
AF1321	535
AF1321-3	535
AF1322	535
AF1322-3	535
AF1322-SSD	535
AF1323	535
AF1323-3	535
AF1323-SSD	535
AF1324	535
AF1401	541
AF1402	541
AF1403	541
AF1404	541
AF1411	542
AF1412	542
AF1413	542
AF1414	542
AF1421	543
AF1422	543
AF1423	543
AF1424	543
AF1501	527
AF1502	527
AF1503	527
AF1504	527
AF1505	527
AF1513	532
AF1521	535
AF1522	535
AF1523	535
AF1524	535
AF1525	535
AF1526	535
AF1556	578
AF1557	578
AF1558	578
AF1559	578
AF1560	578
AF1561	522
AF1563	522
AF1564	522

Part Number	Page
AF1565	522
AF1572	523
AF1573	523
AF1575	524
AF1576	524
AF1577	524
AF1578	525
AF1579	525
AF1591	549
AF1592	549
AF1593	549
AF1594	549
AF1595	549
AF1596	549
AF1597	549
AF1601	553
AF1602	553
AF1603	553
AF1604	553
AF1605	553
AF1606	572
AF1607	572
AF1611	552
AF1612	552
AF1613	552
AF1614	552
AF1621	552
AF1622	552
AF1791	557
AF1792	557
AF1796	557
AF1801	546
AF1811	546
AF1812	546
AF1813	546
AF1814	546
AF1821	554
AF1822	554
AF1823	554
AF1830	547
AF1831	547
AF1832	547
AF1835	547
AF1840	548
AF1841	548
AF1842	548
AF1845	548
AF1846	548
AF1929	549
AF1932	540
AF1933	540

Part Number	Page
AF1965	549
AF1965-3	549
AF1966	549
AF1966-3	549
AF1967	549
AF1967-3	549
AF1968	549
AF1972	555
AF2000VH	858
AF2205	554
AF2301	527
AF2302	527
AF2322	535
AF2600VH	858
AF2602	555
AF2604	555
AF2605	554
AF2606	554
AF2608	554
AF2609	554
AF2610	554
AF2611	555
AF2612	555
AF2613	555
AF2614	555
AF2621	555
AF2636	554
AF2638	554
AF2639	554
AF2640	554
AF2641	554
AF2642	554
AF2646	554
AF2649	554
AF2652	555
AF2654	555
AF2655	555
AF2656	556
AF2658	556
AF2660	556
AF2670	555
AF2675	555
AF2680	563
AF2680VH	858
AF2681	563
AF2686	564
AF2687	564
AF2690	564
AF2782	563
AF2800VH	858
AF2930	556

Part Number	Page
AF2931	556
AF2932	556
AF3006	521
AF3008	521
AF3010	521
AF3012	521
AF3431	556
AF3431SSD	556
AF3432	556
AF3432SSD	556
AF3901	567
AF3902	567
AF3906	567
AF4000	573
AF4001	572
AF4002	573
AF4003	572
AF4004	573
AF4005	573
AF4006	577, 677
AF4007	568
AF4008	568
AF4009	568
AF4010	568
AF4011	572
AF4138	568
AF4148	568
AF4158	568
AF4201	568
AF4297	556
AF4326	577
AF4328	577
AF4330	577
AF4332	577
AF4337	568
AF4338	568
AF4348	568
AF4358	568
AF4359	568
AF4360	568
AF4361	568
AF4363	568
AF4426	577
AF4428	577
AF4430	577
AF4432	577
AF4558	556
AF4600VH	858
AF5138	570
AF5148	570
AF5625	556

Part Number	Page
AF5630	556
AF5703	570
AF5704	570
AF5713	570
AF5802	570
AF5803	570
AF5804	570
AF5812	570
AF5813	570
AF5814	570
AF5816	572
AF5817	572
AF5833	573
AF6101	530
AF6102	530
AF6103	530
AF6111	533
AF6112	533
AF6113	533
AF6121	538
AF6122	538
AF6123	538
AF6239	577
AF6240	577
AF6242	577
AF6243	577
AF6244	577
AF6246	556
AF6247	556
AF6301	555
AF6302	555
AF6303	555
AF6304	555
AF6351	565
AF6352	565
AF6353	565
AF6354	565
AF6362	573, 662
AF6362-10	573
AF6362B	573
AF6363	573, 662
AF6363-10	573
AF6363B	573
AF6364	573, 662
AF6364-10	573
AF6364B	573
AF6600VH	858
AF7102	530
AF7103	530
AF7122	538
AF7123	538

Part Number	Page
AF8005	577, 683
AF8006	570
AF8007	570
AF8302	527
AF8311	532
AF8311-16	532
AF8312	532
AF8321	535
AF8321-16	535
AF8322	535
AF8332	554
AF8600VH	858
AF8605	556
AF8606	556
AF8800VH	858
AF8935	563
AF8936	563
AF8937	563
AF8989	563
AF9004	578
AF9011	571
AF9012	571
AF9013	571
AF9014	571
AF9017	571
AF9018	571
AF9574	578
AF9600VH	858
AF9907	573
AF9908	574
AF9909	573
AFM606	538
AFM607	533
AFM694	572
AFM695	572
AFM841	537
AL0001	576, 605
AL0002	576, 605
AL0003	576, 605
AL0004	576, 605
AL0007	576, 605
AL0008	576, 605
AL0009A	576, 605
AL0010	576, 605
AL0011	576, 605
AL0012	576, 605
AL0013	576, 605
AL0014	576, 605
AL0015	576, 605
AL0016	576, 605
AL0017	576, 605

Part Number	Page
AL0018	576
AL0018	605
AL0019	576, 605
AL0350	605
AL0477	613
AL0525	618
AL0526	618
AL0860	614
AL0937	614
AL0940	619
AL1032	614
AL1500	605
AL1515	605
AL1530	605
AL1535	605
AL1540	605
AL1550	605
AL1560	605
AL1575	605
AL2004	613
AL2006	617
AL2007	617
AL2008	617
AL2009	617
AL2010	617
AL2011	617
AL2015	609
AL2030	614
AL2036	608
AL2037	608
AL2038	610
AL2041	608
AL2043	610
AL3003	605
AL3004	605
AL3005	605
AL3008	605
AL3009	605
AL3010	605
AL3011	605
AL3012	605
AL3013	605
AL3017	605
AL3018	605
AL3019	605
AL3203	605
AL3204	605
AL5005	605
AL5006	605
AL5008	605
AL5010	605

Part Number	Page
AL5012	605
AL5088	613
AL5174	615
AL5390	610, 614
AL5513	614
AL5545	610
AL6050	618
AL6315	612
AL6318	611
AL6319	611
AL6320	610
AL6400	608
AL6401	608
AL6540	618
AL7002	576, 605
AL7005	576, 605
AL7007	576, 605
AL7009	576, 605
AL8000	615
AL8003	615
AL8005	615
AL8006	616
AL8007	616
AL8110	617
AL8150	619
AN1101	522
AN1101-3	522
AN1102	522
AN1103	522
AN1103-3	522
AN1111	524
AN1112	524
AN1113	524
AN1121	525
AN1121-3	525
AN1122	525
AN1122-3	525
AN1123	525
AN1301	528
AN1301-3	528
AN1302	528
AN1302-1	528
AN1302-3	528
AN1303	528
AN1303-1	528
AN1303-3	528
AN1303-9	528
AN13036	528
AN13036-3	528
AN1304-1	528
AN1304-3	528

Part Number	Page
AN1304-5	529
AN13046	528
AN1305	528
AN1306	528
AN1306-3	528
AN1307	528
AN1307-3	528
AN1307-5	529
AN1308	528
AN1309	528
AN1311	532
AN1312	532
AN1312-3	532
AN1313	532
AN1313-3	532
AN1314	532
AN13146	532
AN1316	532
AN1317	532
AN1321	536
AN1321-3	536
AN1322	536
AN1322-1	536
AN1322-3	536
AN1323	536
AN1323-3	536
AN1323-5	537
AN1323-9	536
AN13236	536
AN1324	536
AN1324-1	536
AN1324-5	537
AN13246	536
AN1325	536
AN1326	536
AN1326-1	536
AN1326-3	536
AN1327	536
AN1327-3	536
AN1327-5	537
AN1328	536
AN1328-3	536
AN1329	536
AN1401	541
AN1402	541
AN1403	541
AN14036	541
AN1404	541
AN14046	541
AN1405	541
AN1407	541

Part Number	Page
AN1411	543
AN1413	543
AN1417	543
AN1421	544
AN1422	544
AN1422-3	544
AN1423	544
AN1424	544
AN1425	544
AN1426	544
AN1427	544
AN1721	557
AN1722	557
AN1723	557
AN1727	558
AN1801	546
AN1802	546
AN1803	546
AN1821	548
AN1822	548
AN1823	548
AN1931	540
AN1936	545
AN1938	545
AN3806	521
AN3806A	521
AN3806C	521
AN3808	521
AN3808A	521
AN3808C	521
AN3810	521
AN3810A	521
AN3810C	521
AN3812	521
AN3812A	521
AN3812C	521
AN3816	521
AN3816A	521
AN3816C	521
AN6101	549
AN6101-1	549
AN6101-3	550
AN6102	549
AN6102-1	549
AN6102-3	550
AN6102-4	550
AN6103	549
AN6103-1	549
AN6103-3	550
AN6103-4	550
AN6103-9	550

Part Number	Page
AN6104	549
AN6104-1	549
AN6104-3	550
AN6104-5	550
AN61066-3	550
AN6201	553
AN6202	553
AN6203	553
AN6204	553
AN6332	554
AN6333	554
AN6334	554
AN6601	568
AN6602	568
AN6603	568
AN6604	568
AN6605	568
AN9305	529
AN9310	529
AN9324-3	537
AN9325	537
AN9327-3	537
AN9328	537
AN9409	546
B	
B6103-3	551
BL1924-A	567
BL1925-A	567
BL1101	522
BL1101-1	522
BL1101-3	523
BL1102	522
BL1102-3	523
BL1103	522
BL1103-3	523
BL1104	522
BL1105	523
BL1106	523
BL1107	523
BL1108	523
BL1111	524
BL1112	524
BL1113	524
BL1114	524
BL1115	524
BL1116	524
BL1117	524
BL1118	524
BL1121	525
BL1121-1	525
BL1121-3	526

Part Number	Page
BL1122	525
BL1122-1	525
BL1122-3	526
BL1123	525
BL1123-1	525
BL1123-3	526
BL1124	525
BL1125	525
BL1126	525
BL1127	525
BL1128	525
BL1201	526
BL1202	526
BL1203	526
BL1204	526
BL1211	526
BL1212	526
BL1213	526
BL1214	526
BL1221	527
BL1222	527
BL1223	527
BL1224	527
BL1301	529
BL1301-1	529
BL1301-3	529
BL1302	529
BL1302-1	529
BL1302-3	529
BL1303	529
BL1303-1	529
BL1303-3	529
BL1304	529
BL1305	529
BL1306	529
BL1307	529
BL1307-3	530
BL1308	529
BL1310	529
BL1311	533
BL1311-1	533
BL1311-3	533
BL1312	533
BL1312-1	533
BL1312-3	533
BL1313	533
BL1313-1	533
BL1313-3	533
BL1314	533
BL1315	533
BL1316	533

Part Number	Page
BL1317	533
BL1317-1	533
BL1317-3	533
BL1321	537
BL1321-1	537
BL1321-3	538
BL1322	537
BL1322-1	537
BL1322-3	538
BL1323	537
BL1323-3	538
BL1324	537
BL1325	537
BL1326	537
BL1327	537
BL1327-3	538
BL1328	537
BL1330	537
BL1401	541
BL1402	541
BL1403	541
BL1404	541
BL1405	541
BL1407	541
BL1411	543
BL1412	543
BL1413	543
BL1414	543
BL1421	544
BL1422	544
BL1423	544
BL1424	544
BL1425	544
BL1427	544
BL1427-3	544
BL1428	544
BL1701	557
BL1702	557
BL1703	557
BL1721	558
BL1722	558
BL1723	558
BL1801	546
BL1802	546
BL1803	546
BL1804	546
BL1811	547
BL1812	547
BL1813	547
BL1821	548
BL1822	548

Part Number	Page
BL1823	548
BL1900	562
BL1908	562
BL1920	562
BL1931	540
BL1932	540
BL1933	540
BL1934	540
BL1952	541
BL1953	544
BL4101	565
BL4102	565
BL4103	565
BL4104	565
BL4107	565
BL4112	565
BL4113	565
BL4114	565
BL4117	565
BL4118	565
BL4121	566
BL4122	566
BL4123	566
BL4124	566
BL4127	566
BL4128	566
BL4301	566
BL4302	566
BL4303	566
BL4304	566
BL4307	566
BL4312	566
BL4313	566
BL4314	566
BL4317	566
BL4321	567
BL4322	567
BL4323	567
BL4324	567
BL4327	567
BL5602-1	562
BL5602-3	562
BL5603-1	562
BL5603-3	562
BL5604-3	562
BL5622-1	562
BL5622-3	562
BL5623-1	562
BL5623-3	562
BL5624-1	562
BL5624-3	562

Part Number	Page
BL5625-1	562
BL5625-3	562
BL5626-1	562
BL5627-1	562
BL5627-3	562
BL6101	550
BL6101-1	550
BL6101-3	550
BL6102	550
BL6102-1	550
BL6102-3	550
BL6103	550
BL6103-1	550
BL6103-3	550
BL6104	550
BL6104-1	550
BL6104-3	550
BL6105	550
BL6106	550
BL6107	550
BL6108-3	550
BL6121	552
BL6122	552
BL6123	552
BL6124	552
BL6133	552
BL6134	552
BL6191	550
BL6201	553
BL6202	553
BL6203	553
BL6204	553
BL6210	553
BL6225	553
BL6235	553
BL6236	553
BL6601	569
BL6602	569
BL6603	569
BL6604	569
BL6605	569
BL6621	569
BL6622	569
BL9301	529
BL9302	530
BL9303	530
BL9304	530
BL9305	530
BL9306	530
BL9311	533
BL9312	533

Part Number	Page
CM1019	112
CM1022	161
CM1115	163
CM1115	55
CM1116	180
CM1120	85
CM1121	158
CM1122	158
CM1138	208
CM1145	208, 211
CM1150	108, 145, 182
CM1157	85
CM1162	185, 208, 209, 210
CM1167	208, 211
CM1190	100
CM1200	109, 111
CM1202	110
CM1204	110, 111
CM1209	103, 180
CM1210	110
CM1211	179, 180
CM1216	111, 114
CM1217	112
CM1218	146, 163
CM1221	87, 91, 185, 207, 208, 210
CM1227	103, 179
CM1233	87, 207
CM1237	63, 111
CM1240	60
CM1241	60
CM1279	208, 211
CM1318	103, 180
CM1320	179
CM1322	103, 181
CM1324	180
CM1343	55, 101
CM1344	55, 101
CM1350	103, 179
CM1351	102
CM1352	103, 180, 181
CM1353	103, 179
CM1356	179
CM1412	179
CM1416	182, 183
CM1417	182
CM1432	179
CM1438	103, 179, 180
CM1447	120
CM1454	209
CM1500	167

Part Number	Page
CM1501	167, 171
CM1502	167
CM1503	167, 171
CM1504	167, 171
CM1505	167
CM1508	164
CM1509	166
CM1510	102
CM1514	164
CM1515	164
CM1517	166, 167, 171
CM1522	165
CM1527	164, 166, 168
CM1536	144, 149
CM1580	198
CM1600	195
CM1601	152
CM1602	202
CM1603	202
CM1604	106
CM1607	125, 194, 205
CM1608	202
CM1609	106
CM1610	106, 107
CM1612	107
CM1614	106
CM1615	205
CM1616	205
CM1617	202
CM1618	119, 192
CM1621	201
CM1622	200, 201
CM1623	206
CM1624	116
CM1625	200
CM1626	181
CM1627	182
CM1629	197
CM1630	194, 197
CM1631	193, 197
CM1632	197
CM1633	117
CM1634	106
CM1635	190
CM1636	190
CM1637	190
CM1638	192
CM1639	192
CM1640	117
CM1641	195
CM1642	195

Part Number	Page
CM1643	196
CM1644	125, 194
CM1645	205, 207
CM1646	188, 189
CM1647	167, 171
CM1648	117
CM1649	202
CM1650	189
CM1651	151
CM1652	168
CM1653	205
CM1654	198
CM1655	198
CM1655J	198
CM1656	189
CM1657	188, 189
CM1658	189
CM1660	116
CM1661	198
CM1662	200
CM1663	198
CM1664	106, 107
CM1665	195
CM1666	197
CM1667	116
CM1670	204
CM1671	204
CM1672	204
CM1674	118, 192
CM1675	117
CM1676	191
CM1678	207
CM1679	147, 190, 191
CM1680	194
CM1681	127
CM1682	205
CM1684	194
CM1685	58, 117
CM1686	201
CM1687	204
CM1688	200
CM1689	105, 106, 107
CM1690	197
CM1692	192
CM1693	196
CM1694	188
CM1695	194
CM1696	192
CM1697	199
CM1698	199
CM1699	203

Part Number	Page
CM1700	169
CM1701	169
CM1702	119, 192
CM1703	190
CM1704	206
CM1705	192
CM1706	195
CM1707	194
CM1708	125, 194
CM1709	194
CM1710	195
CM1711	195
CM1712	190
CM1713	190
CM1714	203
CM1715	203
CM1716	205
CM1717	168
CM1718	120, 189
CM1719	190
CM1720	106
CM1721	107
CM1723	202, 206
CM1724	202, 206
CM1725	206
CM1726	206
CM1727	202
CM1729	201
CM1730	201
CM1732	200, 201
CM1733	201
CM1734	202
CM1737	197
CM1738	204
CM1739	192
CM1740	59, 201
CM1741	194, 197
CM1742	196
CM1743	202
CM1744	200
CM1746	195
CM1747	206
CM1748	58, 107
CM1749	58, 106
CM1750	59
CM1751	59, 200
CM1752	60
CM1754	151
CM1755	192
CM1759	110
CM1760	110, 113

Part Number	Page
CM1761	198
CM1762	191
CM1763	191
CM1764	196
CM1765	147, 200
CM1766	107, 108
CM1767	203
CM1768	203
CM1769	203
CM1770	140
CM1771	140
CM1772	204
CM1774	205
CM1775	205
CM1776	169
CM1777	169
CM1778	169
CM1779	169
CM1780	169
CM1781	199
CM1782	191
CM1784	58, 144
CM1785	59, 143
CM1786	59, 153, 157
CM1787	197
CM1788	197
CM1789	198
CM1790	196
CM1791	116
CM1792	140
CM1793	140
CM1794	207
CM1795	204, 206
CM1796	116, 195
CM1797	157, 160, 161
CM1797	59
CM1798	58
CM1798	93, 95, 96, 97
CM1799	58, 93, 95
CM1800	176
CM1807	130
CM1810	130
CM1811	130
CM1812	130
CM1813	132
CM1814	131
CM1815	104
CM1816	105
CM1817	104
CM1820	131
CM1821	130

Part Number	Page
CM1822	149
CM1823	131, 142
CM1824	105
CM1845	105
CM1849	104
CM1851	130
CM1853	189
CM1854	201
CM1855	163
CM1856	100
CM1857	110
CM1858	110
CM1861	143
CM1862	196
CM1864	196
CM1865	165
CM1866	196
CM1867	168
CM1868	170
CM1869	199
CM1870	199
CM1871	117
CM1872	148, 199
CM1873	117
CM1874	199
CM1875	199
CM1876	203
CM1877	203
CM1878	203
CM1879	100
CM1880	206
CM1882	203
CM1883	168
CM1884	169
CM1885	117
CM1886	100
CM1888	117
CM1889	143
CM1890	205
CM1891	142
CM1892	143
CM1893	142
CM1894	143
CM1895	78
CM1897	129
CM1898	132
CM1899	130, 142
CM1900	132
CM1901	131
CM1903	131, 132
CM1906	130

Part Number	Page
CM1907	114
CM1908	114
CM1909	131
CM1910	131
CM1911	132
CM1912	131
CM1913	143
CM1914	129
CM1920	105
CM1921	129
CM1924	63, 111, 163
CM1925	105
CM1945	188
CM1983	132
CM1984	132
CM1985	75
CM1986	132
CM1987	132
CM1988	131
CM1991	130
CM2098	55
CM2103	56, 184
CM2104	56, 99, 184
CM2124	56
CM2346	56
CM2354	56
CM2385	79
CM2386	80
CM2465	75
CM2505	104
CM2508	126
CM2509	126
CM2510	125
CM2511	125
CM2513	125
CM2520	125
CM2521	125
CM2522	126
CM2531	126
CM2532	126
CM2543	123
CM2544	123
CM2545	123
CM2546	123
CM2552	123, 188
CM2553	123
CM2554	123
CM2555	123
CM2556	122
CM2746	77
CM2895	78

Part Number	Page
CM3001	122, 166, 170
CM3005	112
CM3011	69
CM3012	69, 177
CM3013	69
CM3014	69
CM3015	166
CM3016	69
CM3017	124, 126
CM3018	124
CM3020	167
CM3022	124
CM3046	150
CM3062	128
CM3062J	128
CM3089	149, 152
CM3202	122
CM3203	122, 169
CM3204	182
CM3206	113, 171
CM3207	122
CM3211	184
CM3212	111
CM3226	81
CM3228	82
CM3290	146
CM3301	111
CM3304	111
CM3305	111
CM3335	138
CM3360	82
CM3406	128
CM3410	128
CM3516	187
CM3624	128
CM3706	82
CM3785	77
CM3910	78
CM3967	124
CM4176	177
CM4295	79
CM4365	75
CM4374	173
CM4479	99
CM4609	99, 153, 172
CM4619	198
CM4620	198
CM4624	100
CM4626	116, 141, 213
CM4628	67
CM4636	138

Part Number	Page
CM4665	75
CM4680	145
CM4691	138
CM4692	108
CM4705	171
CM4706	166, 168
CM4710	171
CM4715	73
CM4744	165, 170
CM4756	115
CM4768	99, 172
CM4769	100
CM4808V	H 856
CM4809V	H 856
CM4810V	H 856
CM4840	99, 101
CM4965	76
CM4967	128
CM4972	75
CM4975	75
CM5012	173
CM5016	173
CM5017	173
CM5018	165
CM5019	165, 167
CM5020	164
CM5021	165
CM5027	58, 118, 140
CM5028	59, 129
CM5030	129
CM5054	112, 150
CM5059	150
CM5061	150
CM5063	63
CM5065	166
CM5066	166
CM5067	112, 150
CM5072	64
CM5073	64
CM5075	64
CM5175	80
CM5215	63
CM5240	211
CM5241	214
CM5242	212
CM5257	122, 125
CM5262	122
CM5263	127
CM5265	120
CM5308	163
CM5312	105, 119, 120

Part Number	Page
CM5314	119
CM5317	119
CM5318	119
CM5320	119
CM5321	119
CM5324	127
CM5325	120
CM5328	148
CM5329	89
CM5343	93
CM5345	140
CM5346	100
CM5347	59, 145
CM5348	58, 100, 118, 144, 145
CM5350	215
CM5354A	64
CM5356	107
CM5358	107
CM5360	106
CM5363	147
CM5366	187
CM5368	188
CM5371	149
CM5375	152
CM5376	151
CM5377	129
CM5378	152
CM5379	101
CM5381	133
CM5385	129
CM5387	187
CM5388	101
CM5394	188
CM5398	133
CM5399	147
CM5400	147
CM5401	196
CM5402	200
CM5403	147
CM5404	148
CM5406	195
CM5408	201
CM5418	189
CM5419	189
CM5420	196
CM5421	96
CM5422	127
CM5422	58
CM5424	193
CM5425	193
CM5426	193

Part Number	Page
CM5427	193
CM5430	193
CM5432	193
CM5432	59
CM5434	193
CM5435	193
CM5436	193
CM5437	116
CM5442	144
CM5443	159
CM5446	94, 96
CM5448	139
CM5450	94, 96
CM5452	129
CM5454	94, 96
CM5455	108
CM5456	153
CM5457	92
CM5458	128
CM5459	157
CM5462	154
CM5463	153
CM5464	115, 161
CM5465	59, 143
CM5466	153
CM5467	153, 154
CM5468	154
CM5469	92, 93
CM5470	139
CM5471	95, 97
CM5472	139
CM5473	154
CM5474	139
CM5475	80
CM5476	91, 92
CM5477	160
CM5480	139
CM5481	98
CM5482	139
CM5483	158
CM5484	164, 186
CM5485	77
CM5486	98
CM5487	92
CM5488	93, 94, 98
CM5489	155
CM5491	154, 159
CM5492	161, 208
CM5493	158
CM5494	158
CM5495	162

Part Number	Page
CM5496	156
CM5497	97
CM5498	91, 92
CM5499	92, 95, 97, 98
CM5500	88, 89, 90, 186
CM5501	88, 89, 185
CM5502	86
CM5503	86
CM5505	86
CM5506	86
CM5508	88, 209
CM5512	88
CM5516	93, 95, 97, 98
CM5518	155, 157, 159, 160, 162
CM5519	157, 159, 162
CM5520	155
CM5521	157, 160, 161, 162
CM5522	155, 159
CM5525	212
CM5527	94, 96
CM5528	127
CM5529	157, 158
CM5532	184
CM5536	154, 159
CM5537	128
CM5538	158, 162
CM5539	94, 95, 97
CM5540	212
CM5542	157, 162
CM5543	155, 159
CM5545	154
CM5546	160
CM5548	153
CM5549	135
CM5554	159
CM5555	163
CM5558	94
CM5559	93, 95
CM5561	102
CM5562	146
CM5563	93, 95, 97
CM5564	95, 97
CM5565	147
CM5569	155, 159
CM5571	93
CM5572	88, 89, 90, 186
CM5573	87
CM5575	77
CM5576	145, 182

Part Number	Page
CM5577	145, 182
CM5578	87
CM5580	191
CM5581	146, 184
CM5582	160
CM5583	155, 156
CM5584	94, 96
CM5585	135
CM5587	86, 185, 207, 208, 210
CM5588	87
CM5591	146, 184
CM5592	211
CM5593	160, 162
CM5594	162
CM5595	176
CM5598	98
CM5600	176
CM5601	177
CM5602	173
CM5603	98
CM5605	113, 151
CM5607	173
CM5608	128
CM5609	112
CM5611	180
CM5612	180
CM5613	210
CM5614	210
CM5615	209
CM5616	209
CM5617	209
CM5618	209
CM5619	135
CM5620	204
CM5621	161
CM5622	204
CM5623	148
CM5626	161
CM5628	85
CM5629	89
CM5630	146
CM5631	104
CM5632	146
CM5634	135
CM5635	146
CM5636	139
CM5637	182
CM5638	104
CM5639	90
CM5640	108, 137
CM5641	91, 92

Part Number	Page
CM5642	89, 91
CM5643	102
CM5644	102
CM5645	102
CM5646	102
CM5647	182
CM5648	86
CM5649	146
CM5650	139
CM5651	90
CM5652	87, 88
CM5653	139
CM5654	88, 91
CM5655	156
CM5656	153, 157
CM5657	89
CM5658	87, 88
CM5659	90, 145
CM5661	91
CM5662	96
CM5663	156
CM5665	89
CM5666	98
CM5667	154, 156
CM5669	94, 95
CM5670	86, 210
CM5671	160, 162
CM5672	92, 94
CM5673	89, 90
CM5674	139
CM5675	140
CM5676	181
CM5677	91, 92
CM5680	140
CM5681	96
CM5682	168
CM5683	155, 156
CM5684	181
CM5685	181
CM5687	87
CM5688	181
CM5689	156
CM5690	181, 210
CM5691	155, 159
CM5692	181
CM5693	111
CM5696	90, 210
CM5699	87
CM5705	102
CM5709	112
CM5714	119, 120

Part Number	Page
CM5727	149
CM5730	149
CM5733	149
CM5733-01	150
CM5736	150
CM5736J	150
CM5737	151
CM5737J	151
CM5738	150
CM5741	96, 97
CM5744	109, 113, 152
CM5745	108
CM5746	109, 153
CM5750	109, 113, 151
CM5751	170
CM5752	171
CM5753	168
CM5754	166, 168
CM5755	170
CM5756	170
CM5757	170
CM5758	170
CM5759	150
CM5760	85, 109
CM5761	104
CM5763	104
CM5766	147
CM5768	88
CM5769	158
CM5770	110, 113
CM5771	110
CM5772	110
CM5773	113
CM5782	108
CM5784	156
CM5785	154, 155
CM5789	108
CM5790	85
CM5794	117
CM5795	88
CM5796	89
CM5815	138
CM5820	138
CM5822	206
CM5823	207
CM5824	138
CM5825	209, 210
CM5828	160
CM5829	154
CM5830	135
CM5832	204

Part Number	Page
CM5833	138
CM5836	160
CM5837	108, 137
CM5838	156
CM5842	137
CM5844	137
CM5845	199
CM5846	136, 146
CM5847	145
CM5848	199
CM5849	138
CM5850	211
CM5852	147
CM5853	212, 214
CM5854	174
CM5855	178
CM5860	178
CM5865	178
CM5868	178
CM5872	102
CM5892	178
CM5960	212
CM6042	67
CM6043	66
CM6044	69
CM6160	76
CM6205	79
CM6245	78
CM6250	77
CM6254	77
CM6255	77
CM6263	64
CM6312	149, 213
CM6314	144
CM6315	80
CM6324	212, 214
CM6550	101
CM6552	121
CM6556	120
CM6557	121
CM6558	121
CM6559	102, 116
CM6570	126
CM6575	82
CM6577J	115, 214
CM6585	82
CM6595	82
CM6622	80
CM6624	80
CM6626	64
CM6627	64

Part Number	Page
CM6650	80
CM6660	80
CM6664	64
CM6665	64
CM6670	80
CM6671	80
CM6672	64
CM6673	80
CM6674	80
CM6675	80
CM6676	80
CM6824	77
CM6899	121
CM7000	57
CM7001V	H 856
CM7007	57
CM7014	58, 161
CM7020	121, 125
CM7027	101
CM7028	101
CM7069	141
CM7086	141
CM7151	65
CM7158	185, 210
CM7159	86, 185, 208, 209
CM7170A	65
CM7312	65
CM7312J	65
CM7317	65
CM7319	151, 152
CM7324	143
CM7326	142
CM7328	142
CM7338	142
CM7384	142
CM7392	142
CM7401	57
CM7406	134
CM7421	57
CM7433	57
CM7469	186
CM7480	99
CM7574	127, 128
CM7616	68
CM7747	77
CM7803	133, 135
CM7815	77
CM7825	77
CM7826	77
CM7827	80
CM7833	77

Part Number	Page
CM7835	80
CM7840	77
CM7843	77
CM7844	72
CM7845	77
CM7846	80
CM7847	80
CM7848	80
CM7851	80
CM7854	103, 180
CM7860	213
CM7862	66
CM7863	66, 109, 113, 114, 120, 122, 123, 124, 126, 133, 151, 152, 164, 166, 168, 170, 171, 172, 173, 177
CM7863J	66
CM7864	61, 165
CM7865	148, 172, 212
CM7867	66
CM7870	178
CM7877	66
CM7882	109, 135
CM7883	109
CM7887	66
CM7887J	66
CM7888	114, 152, 164, 165, 185
CM7888	66
CM7888J	66
CM7895	136
CM7906	133
CM7929	66
CM7931	66
CM7931J	66
CM7933	135
CM7947	66
CM7948	135
CM7949	141
CM7950	141
CM7952	137
CM7954	86, 137
CM7971	183
CM7979	66
CM7986	211
CM7991	67
CM8000	56
CM8003	56, 122, 124, 126, 136, 163, 211
CM8004	120, 163, 184
CM8004	55

Part Number	Page
CM8007	122, 124, 126, 136, 163, 211
CM8007	55
CM8012	56
CM8016	66
CM8027A	66
CM8040	141
CM8041	178
CM8045	213
CM8046	99
CM8047	99
CM8048	66
CM8052	184
CM8053	214
CM8067	185
CM8069	214
CM8071	215
CM8073	214
CM8075	115
CM8077	172
CM8079	178
CM8083	141
CM8085	161
CM8089	145
CM8093	148
CM8097A	66
CM8109	86, 91, 183
CM8112	213
CM8115	134
CM8116	134
CM8117A	67
CM8124	136
CM8147	85
CM8148	172
CM8156	134
CM8169	134
CM8203	137
CM8227	66
CM8231	105
CM8290	185
CM8300	174, 176
CM8301	176
CM8303	176
CM8304	176
CM8305	173, 175, 177
CM8306	175
CM8307	175
CM8308	175
CM8309	175
CM8310	175
CM8311	174, 175
CM8312	174

Part Number	Page
CM8314J	124
CM8315	187
CM8316	187
CM8317	186, 187
CM8318	174
CM8319	174
CM8321	90
CM8323	177
CM8324	215
CM8325	133, 164
CM8328	175
CM8329	123, 124
CM8330	187
CM8331	143
CM8332	118
CM8333	173
CM8335	174
CM8337	176
CM8338	176
CM8339	177
CM8343	118
CM8344	172
CM8345	177
CM8347	177
CM8349	176
CM8355	124
CM8356	133
CM8357	187
CM8359	133
CM8360	174, 175
CM8363	214
CM8365	134
CM8366	175
CM8367	187
CM8368	134
CM8369	186
CM8370	174
CM8371	214
CM8372	144
CM8373	131
CM8374	118
CM8375	100
CM8376	152
CM8377	112, 214
CM8378	118
CM8379	212
CM8380	165
CM8381	169
CM8382	144
CM8383	144
CM8386	177

Part Number	Page	Part Number	Page	Part Number	Page	Part Number	Page
CM8388	62	CM8981	148, 213	CM9325	75	CM9646	79
CM8395	62	CM9021	57	CM9326	72	CM9649	76
CM8396	62	CM9025	134	CM9327	72	CM9650	76
CM8398	62	CM9026	183	CM9330	188	CM9652	76
CM8400	173	CM9028	183	CM9332	118	CM9653	76
CM8424	178	CM9030	183	CM9352	79	CM9654	76
CM8439	174	CM9035	183	CM9356	77	CM9655	76
CM8482	115, 186	CM9038	183	CM9357	77	CM9665	79
CM8485	115	CM9073	188	CM9358	77	CM9670	79
CM8487	101	CM9074	189	CM9360	74	CM9675	81
CM8489	99	CM9134	76	CM9361	74	CM9678	78
CM8491	115	CM9135	80	CM9362	74	CM9695	75
CM8493	213	CM9138	80	CM9363	74	CM9733	212
CM8548	115	CM9140	76	CM9364	74	CM9734	212
CM8550	140	CM9141	76	CM9405	78	CM9745	80
CM8600	119, 127	CM9142	79	CM9415	75	CM9746	80
CM8601	127	CM9143	80	CM9425	79	CM9747	80
CM8602	114	CM9146	80	CM9426	79	CM9748	80
CM8603	127	CM9154	77	CM9432	81	CM9749	80
CM8608	100	CM9155	77	CM9444	78	CM9761	60
CM8617	172	CM9157	77	CM9445	76	CM9762	60
CM8635	184	CM9158	77	CM9446	79	CM9827	82
CM8637	66	CM9159	77	CM9447	78	CM9840	78
CM8639	138	CM9164	74	CM9448	79	CM9841	78
CM8643	85	CM9165	81	CM9449	79	CM9842	78
CM8647	137	CM9166	74	CM9455	76	CM9843	78
CM8660	141, 213	CM9167	74	CM9456	76	CM9844	78
CM8664	137, 141	CM9168	74	CM9457	75	CM9845	78
CM8667	133, 135	CM9169	74	CM9458	76	CM9848	75
CM8681	87, 207, 208	CM9170	72	CM9459	76	CM9853	73
CM8687	115	CM9185	84	CM9575	79	CM9854	75
CM8694	121	CM9190	79	CM9592	66	CM9855	75
CM8695	121	CM9205	81	CM9601	77	CM9856	75
CM8696	121	CM9215	81	CM9614	76	CM9857	75
CM8700	121	CM9226	81	CM9615	76	CM9858	75
CM8708	121	CM9235	77	CM9616	74	CM9859	75
CM8725	82	CM9236	77	CM9617	74	CM9861	76
CM8735	83	CM9240	80	CM9618	74	CM9862	76
CM8752	93, 97, 98	CM9241	80	CM9619	74	CM9863	76
CM8802	115, 215	CM9242	80	CM9620	74	CM9864	75
CM8840	191	CM9243	80	CM9621	74	CM9866	76
CM8841	191	CM9244	80	CM9622	74	CM9868	76
CM8842	190	CM9245	77	CM9623	74	CM9869	76
CM8845	191	CM9246	77	CM9625	76	CM9871	76
CM8850	191	CM9251	77	CM9626	74	CM9872	76
CM8860	66	CM9252	77	CM9635	75	CM9873	76
CM8883	148	CM9253	77	CM9637	81	CM9875	78
CM8890	213	CM9254	77	CM9640	79	CM9876	78
CM8897	213	CM9255	77	CM9641	79	CM9878	78
CM8948	144	CM9275	81	CM9642	79	CM9879	79
CM8965	82	CM9276	81	CM9643	79	CM9880	79
CM8966	83	CM9315	81	CM9644	79	CM9881	78

Part Number	Page
CM9882	79
CM9886	79
CM9887	79
CM9888	79
CM9889	79
CM9895	83
CM9896	83
CM9911	73
CM9913	73
CM9914	73
CM9917	73
CM9918	73
CM9920	73
CM9921	73
CM9922	73
CM9923	73
CM9924	74
CM9925	74
CM9927	76
CM9928	75
CM9929	76
CM9930	76
CM9931	75
CM9932	78
CM9933	79
CM9934	79
CM9935	76
CM9936	79
CM9939	78
CM9940	81
CM9941	81
CM9942	81
CM9943	81
CM9944	81
CM9945	81
CM9948	81
CM9949	81
CM9956	81
CM9957	74
CM9959	79
CM9967	73
CM9968	75
CM9969	76
CM9970	76
CM9971	76
CM9972	76
CM9973	76
CM9974	76
CM9976	76
CM9977	79
CM9978	79

Part Number	Page
CM9979	78
CM9980	84
CM9981	81
CM9982	83
CM9983	78
CM9984	84
CM9986	84
CM9989	83
CM9994	84
CMA901	66
CMA902	66
CMA904	65
CMA905	66
CMA906	66
CMA907	67
CMA908	65
CMA909	66
CMA910	69
CMA915	66
CMA916	136
CMA917	116
CMA919	136
CMA920	67
CMA921	148
CMA923	66
CMA924	66
CMA925	65
CMA926	67
CMA927	67
CMA928	67
CMA929	105
CMA930	114, 152
CMA933	67
CMA935	66
CMA937	67
CMA939	65
CMA940	65
CMA941	141
CMA942	66
CMA943	66
CMA945	64
CMA946	64
CMA947	69
CMA948	68
CMA949	68
CMA951	64
CMA952	69
CMA954	69
CMA955	68
CMA956	68
CMA957	68

Part Number	Page
CMA958	68
CMA959	69
CMA960	67
CMA961	65
CMA964	67
CMA967	67
CMA968	134
CMA970	68
CMA971	68
CMA974	129
CMA975	67
CMA981	68
CMA982	68
CMA983	68
CMA984	68
CMA985	68
CMA986	68
CMA987	68
CMA988	68
CMA989	68
CMA990	68
CMA991	68
CMA992	68
CMA993	68
CMA994	68
CMA995	68
CMA997	67
CMA998	66
CN0003	259
CN0004	259
CN0005	255
CN0006	255, 293
CN0007	255
CN0023	256, 288
CN0068	307
CN0080	288, 312
CN0090	311
CN0110	310
CN0150	287
CN0260	310
CN0350	311
CN0560	287
CN0561	295
CN0562	279
CN0565	279
CN0580	307
CN0585	340
CN0620	310
CN0630	310
CN0703	339
CN0704	340

Part Number	Page
CN0705	340
CN0706	339
CN0707	340
CN0708	340
CN0709	261, 341
CN0710	250
CN0711	340
CN0800	311
CN1010	250, 315
CN1013	250, 315
CN1014	281
CN1021	260, 290
CN1046	235
CN1054	235, 265, 299, 302, 303
CN1058	236
CN1069	263, 307
CN1081	256
CN1105	264
CN1117	235
CN1133	325
CN1138	304
CN1172	263, 306
CN1191	325, 333
CN1193	301
CN1195	324, 325
CN1197	325
CN1198	301
CN1199	325
CN1214	258, 290
CN1311	307
CN1312	300
CN1330	315
CN1376	259, 290, 293
CN1379	236
CN1380	237
CN1381	236, 264, 299
CN1660	287
CN1661	310
CN1981	236
CN1997	236, 265
CN2769VH	856
CN3007	245
CN3008	296
CN3009	245
CN3015	239
CN3029	256
CN3031	256
CN3034	256
CN3090	244
CN3091	244, 246
CN3092	245

Part Number	Page
CN3093	244
CN3096	297
CN3097	297
CN3142	239
CN3143	237
CN3145	240
CN3150	310
CN3160	240
CN3170	240
CN3245	240
CN3250	240
CN3257VH	856
CN3260	240
CN3332VH	856
CN3525	338
CN3530	339
CN3531	338
CN3905	303
CN4012	234
CN4013	234
CN4055	296
CN4057	296
CN4060	296
CN4063	296
CN4065	296
CN4066	296
CN4067	297
CN4070	297
CN4071	297
CN4072	297
CN4073	308
CN4075	308
CN4076	242, 243
CN4077	297
CN4078	313
CN4079	294
CN4081	294
CN4082	339
CN4083	339, 341
CN4084	296
CN4085	242
CN4087	243
CN4089	336
CN4090	243
CN4091	242
CN4097	338
CN4303	288
CN4304	287
CN4512	233
CN4524	233
CN4702	306

Part Number	Page
CN5001	235
CN5004	235
CN5010	254
CN5017	235
CN5019	235
CN5020	258, 289
CN5021	262, 323
CN5022	261, 323
CN5022D	262, 323
CN5023	237
CN5024	236, 278
CN5026	257, 289
CN5028	289
CN5029	292
CN5032	258
CN5033	236
CN5034	321
CN5035	339
CN5036	262
CN5037	264
CN5038	247
CN5040	330
CN5041	277
CN5046	338, 339
CN5047	298
CN5048	321
CN5049	303
CN5051	235
CN5054	292
CN5055	292
CN5057	321
CN5058	319
CN5059	303
CN5062	285
CN5063	319
CN5066	293
CN5067	319
CN5068	319
CN5070	330
CN5071	298
CN5072	329
CN5074	330
CN5075	330
CN5076	235
CN5077	237
CN5078	310
CN5079	268
CN5080	330
CN5081	237
CN5082	340, 341
CN5083	285

Part Number	Page
CN5084	320
CN5088	276
CN5089	275
CN5090	328
CN5091	328
CN5092	267, 325
CN5093	267, 325
CN5094	267, 324
CN5094D	267, 324
CN5095	275, 277
CN5096	278
CN5097	275, 277
CN5099	276
CN5100	340
CN5101	333
CN5102	321
CN5103	285, 322
CN5103D	285, 322
CN5105	317
CN5106	318
CN5107	317, 318
CN5108	316
CN5109	316
CN5111	316, 317, 318
CN5123	277
CN5125	323
CN5126	297
CN5127	334
CN5128	330
CN5129	327
CN5130	334
CN5135	310
CN5136	314
CN5137	275, 277
CN5138	316
CN5139	322
CN5141	313
CN5142	313
CN5143	314
CN5144	333
CN5147	309
CN5148	300
CN5149	299
CN5150	302
CN5150D	302
CN5151	299, 301
CN5152	324
CN5152M	324
CN5157	316, 317, 318
CN5158	302
CN5160	321, 328

Part Number	Page
CN5161	321, 328
CN5162	326
CN5163	326
CN5164	326
CN5165	326
CN5166	327
CN5167	327
CN5168	261
CN5169	261
CN5170	326
CN5171	325
CN5172	306
CN5173	306
CN5174	306
CN5175	324
CN5177	301
CN5179	334
CN5180	334
CN5181	327
CN5182	338
CN5183	331
CN5184	331
CN5185	331
CN5186	276
CN5187	331
CN5188	331
CN5189	331
CN5190	331
CN5191	332
CN5192	265
CN5193	333
CN5194	333
CN5195	333, 335
CN5196	323
CN5198	319
CN5199	319
CN5200	280
CN5201	320
CN5202	320
CN5203	251
CN5204	251, 252
CN5205	251
CN5206	252
CN5207	252
CN5208	253
CN5209	253
CN5210	251
CN5211	320
CN5212	252
CN5213	252
CN5214	264, 320

Part Number	Page
CN5215	254, 291
CN5216	331
CN5218	320
CN5219	286
CN5220	241
CN5221	334
CN5222	333, 334
CN5222CG	333, 334
CN5224	327
CN5225	331
CN5226	273
CN5227	310
CN5228	275
CN5229	333
CN5230	322
CN5232	251, 252
CN5234	275
CN5235	279
CN5236	298
CN5237	279
CN5238	286
CN5239	324
CN5239CG	324
CN5240	280
CN5241	280
CN5243	285
CN5244	285
CN5246	280
CN5247	258
CN5248	323
CN5249	323
CN5251	326
CN5252	242, 337
CN5253	298
CN5254	243, 337
CN5255	312
CN5256	280
CN5258	326
CN5258CG	326
CN5259	269
CN5260	270
CN5261	271, 272
CN5262	272, 274, 313
CN5263	274
CN5265	269
CN5266	269
CN5267	271, 272
CN5268	271, 272
CN5269	269
CN5270	274
CN5271	271, 272

Part Number	Page
CN5273	271, 272
CN5274	271, 272
CN5275	269
CN5277	311
CN5279	269
CN5280	269
CN5285	273
CN5286	273
CN5287	312
CN5288	271
CN5288CG	271
CN5290	327
CN5291	326
CN5292	323
CN5293	329
CN5294	329
CN5295	329
CN5298	329
CN5299	252
CN5300	329
CN5302	332
CN5303	332
CN5304	320
CN5306	337
CN5308	272
CN5309	304
CN5310	265
CN5311	307
CN5312	300
CN5312D	300
CN5313	340
CN5314	273
CN5314CG	273
CN5315	286
CN5316	250
CN5317	277
CN5318	337
CN5319	324
CN5319CG	324
CN5320	308
CN5321	309
CN5322	309
CN5323	300, 301
CN5324	304
CN5325	258, 306
CN5327	258, 306
CN5328	304
CN5329	303
CN5330	306
CN5332	304
CN5333	309

Part Number	Page
CN5334	248, 308
CN5335	304
CN5336	305
CN5338	305
CN5339	292
CN5341	309
CN5342	304
CN5343	305
CN5344	270
CN5345	308
CN5346	305
CN5348	247
CN5349	247
CN5351	308
CN5352	247
CN5353	241
CN5354	241
CN5355	248
CN5356	304
CN5357	309
CN5358	241
CN5359	247
CN5360	247
CN5361	247
CN5362	241
CN5363	332, 334
CN5364	341
CN5365	271
CN5366	270
CN5367	270
CN5368	305
CN5370	250
CN5372	236
CN5374	249
CN5375	259, 290, 292
CN5376	259, 290, 292
CN5377	288
CN5378	259, 290, 293
CN5379	249
CN5380	281
CN5381	257, 289
CN5382	290, 292
CN5383	256
CN5384	281
CN5385	313
CN5386	249
CN5387	249
CN5388	250
CN5390	257, 289
CN5391	254, 258
CN5392	256

Part Number	Page
CN5395	249
CN5397	260
CN5398	258
CN5399	335
CN5400	336
CN5401	242, 244, 314, 335, 336
CN5402	337
CN5403	250
CN5404	251
CN5405	252
CN5406	291
CN5409	320
CN5410	251
CN5411	295
CN5412	300
CN5412D	300
CN5413	336, 337
CN5414	314, 336, 337
CN5415	274
CN5416	274
CN5417	251
CN5418	280
CN5419	313
CN5420	278
CN5421	277
CN5422	259, 291
CN5423	336, 337
CN5424	281
CN5425	317
CN5426	250
CN5428	302
CN5429	277
CN5430	242
CN5431	249
CN5432	314
CN5433	285
CN5434	334
CN5435	266
CN5436	260
CN5437	338
CN5439	291
CN5440	291
CN5441	243
CN5442	242, 336
CN5443	321
CN5444	337
CN5446	257
CN5447	242
CN5448	313
CN5449	327
CN5450	327

Part Number	Page
CN5450CG	327
CN5451	332
CN5452	332
CN5453	280
CN5454	335
CN5454CG	335
CN5455	281
CN5456	278, 284
CN5457	283
CN5458	243
CN5459	248, 308
CN5460	281
CN5461	336
CN5462	308
CN5463	329
CN5464	298
CN5465	297, 313
CN5466	327
CN5467	252
CN5468	251
CN5469	285
CN5470	251
CN5472	295
CN5473	308
CN5474	257
CN5475	318
CN5475CG	318
CN5476	298
CN5477	331
CN5478	332
CN5479	247, 253, 281
CN5480	247
CN5481	277, 283
CN5482	279
CN5483	243
CN5484	322
CN5485	259, 341
CN5486	291
CN5487	332
CN5488	291
CN5488CG	292
CN5489	332
CN5490	319
CN5492	332
CN5493	328
CN5493CG	328
CN5495	328
CN5496	322
CN5497	319
CN5498	275, 277
CN5499	305

Part Number	Page
CN5500	305
CN5501	270
CN5501CG	270
CN5502	286
CN5503	286
CN5504	286
CN5505	286
CN5506	270
CN5507	287
CN5508	270
CN5510	269
CN5510CG	270
CN5511	287
CN5512	300
CN5513	300
CN5514	269
CN5515	300
CN5516	295
CN5517	309
CN5518	298
CN5519	248
CN5521	248, 309
CN5522	248, 308
CN5523	248
CN5524	274, 276, 282
CN5525	262
CN5526	266
CN5527	313
CN5528	264
CN5530	264
CN5531	274
CN5532	264
CN5533	248
CN5534	286
CN5535	264
CN5536	260
CN5537	243
CN5538	242, 243
CN5539	303
CN5540	281
CN5542	280
CN5543	319
CN5545	341
CN5548	339, 340, 341
CN5549	286
CN5551	283
CN5552	276, 284
CN5556	276, 284
CN5557	276, 283
CN5565	333
CN5566	242, 337

Part Number	Page
CN5568	286
CN5576	306
CN5577	307
CN5578	299
CN5579	307
CN5580	312
CN5581	312
CN5582	311
CN5583	306
CN5584	290
CN5585	311
CN5586	289
CN5587	293
CN5588	289
CN5589	312
CN5590	307
CN5591	289
CN5592	323
CN5593	289
CN5594	257
CN5595	311
CN5597	290
CN5598	312
CN5601	284
CN5603	283
CN5604	282
CN5605	282
CN5606	250
CN5607	283
CN5608	283
CN5609	284
CN5610	275
CN5611	283
CN5612	249, 263
CN5613	249, 268
CN5614	249
CN5615	282
CN5616	283
CN5617	263
CN5618	284
CN5619	275
CN5620	311
CN5621	312
CN5622	282
CN5623	283
CN5624	276
CN5625	263
CN5626	266
CN5628	270
CN5630	335
CN5632	257

Part Number	Page
CN5638	326
CN5640	330
CN5642	330
CN5650	334
CN5658	313
CN5681	287
CN5682	312
CN5684	279
CN5686	284
CN5687	284
CN5692	305
CN5694	276
CN5802	255
CN5803	261
CN5804	261
CN5805	252
CN5806	261, 325
CN5810	261, 325
CN5865	241, 253
CN5869	241
CN5881	299
CN5882	299, 301
CN5890	288
CN5981	236
CN5997	236
CN6010	285
CN6040	328
CN6040CG	329
CN6042	329
CN6048	329
CN6162	233
CN6164	233
CN6168	314
CN6170	238
CN6181	246
CN6187	314
CN6188	314
CN6197	239
CN6198	238
CN6199	238
CN6262	233
CN6264	233
CN6285	238
CN6286	237
CN6287	237
CN6288	238
CN6289	237
CN6292	238
CN6293	238
CN6294	238
CN6295	238

Part Number	Page
CN6297	237
CN6299	237
CN6305	265
CN6310	265
CN6314J	264
CN6315	265
CN6316	268
CN6317	265, 267
CN6318	263
CN6319	262, 268
CN6321	262, 268
CN6322	263
CN6323	272, 274
CN6325	265, 266
CN6326	263
CN6327	268
CN6328	273
CN6328CG	273
CN6329	265
CN6330	262, 268
CN6331	262
CN6332	301
CN6333	262
CN6334	338
CN6335	263
CN6336	262
CN6337J	264
CN6338	280
CN6342	279
CN6343	272
CN6351	253
CN6392	304
CN6401	295, 336
CN6402	335
CN6500	294
CN6501	244
CN6503	293
CN6504	294
CN6505	295
CN6506	244, 246
CN6507	245
CN6508	294
CN6509	245
CN6510	295
CN6511	244
CN6515	296
CN6516	296
CN6517	294
CN6518	293
CN6519	294
CN6520	295

Part Number	Page
CN6521	294
CN6522	295
CN6523	244
CN6524	245
CN6525	315
CN6526	293
CN6527	315
CN6528	315
CN6529	315
CN6530	271
CN6531	335, 338
CN6532	243, 309, 338
CN6534	246
CN6535	246
CN6536	245
CN6539	316
CN6540	317
CN6541	317
CN6542	304, 307
CN6544	318
CN6545	279
CN6546	273
CN6547	273
CN6548	274
CN6549	305
CN6551	319
CN6552	316
CN6553	266
CN6554	266
CN6555	253
CN6556	320
CN6557	244, 245
CN6558	320
CN6559	246
CN6561	246
CN6562	245
CN6565	246
CN6567	294
CN6568	335, 336
CN6570	261
CN6572	273
CN6574	245
CN6575	294
CN6590	315
CN6591	253
CN6592	253
CN6595	253
CN6900	287
CN6930	282
CN6957	281
CN6965	282

Part Number	Page
CN6975	282
CN6977	260
CN6997	238
CN7000	278
CN7009	267
CN7010	268
CN7016	267
CN7018	266
CN7019	235
CN7020	254, 301
CN7024	254, 258, 259, 289, 291
CN7025	266
CN7026	266, 268
CN7027	268
CN7030	302
CN7032	254, 260, 278, 292
CN7033	263, 303
CN7035	290
CN7036	288
CN7037	299
CN7038	305
CN7039	299
CN7040	266
CN7041	302
CN7042	302
CN7043	301
CN7044	317, 318
CN7045	267
CN7046	267
CN7047	254, 278, 299
CN7048	315
CN7049	316, 318
CN7051	303
CN7052	303
CN7054	254, 291
CN7056	278
CN7060	298
CN7061	254, 259, 291
CN7062	279
CN7063	302
CN7064	298
CN7065	267
CN7067	302
CN7068	301
CN7071	278
CN7085	317
CN7109	316
CN7110	316
CN7325	257
CN7326	257

Part Number	Page
CN7327	257
CN7708	288
CN8002	255
CN8004J	255
CN8005J	255
CN8006J	260
CN8007	321, 322
CN8007CG	322
CN8009J	255
CN8010	260
CN8011	260
CN8012	255
CN8013	255
CN8040J	321, 322
CN8100	282
CN8200	287
CN9028	256
CN9029	256
CN9031	256
CN9510	275
CN9511	276
CN9722	234
CN9723	234
CN9730	234
CN9731	234
CN9777	311
CNA084	240
CNA105	240
CNA106	240
CNA115	240
CND013	323
CND021	239
CND024	328
CND025	239
CND026	330
CND027	330
CND033	239
CND034	239
CND041	288
CND046	239
CND048	239
CND065	328
CND070	292
CND073	239
CND112	288
CND117	293
CP0016	34
CP0063	653
CP0065	653
CP0066	653
CP0071	653

Part Number	Page
CP0077	653
CP0092	662, 663
CP0093	575, 662, 663
CP0094	575, 662, 663
CP0095	575, 662, 663
CP0096	575, 662, 663
CP0113	655, 661
CP0114	654, 661
CP0115	655, 661
CP0116	655, 661
CP0117	655, 661
CP0118	655, 661
CP0119	655, 661
CP0120	655, 661
CP0121	654, 661
CP0122	654, 661
CP0123	654, 661
CP0124	654, 661
CP0125	654, 661
CP0126	655, 661
CP0139	574, 661
CP0140	574, 661
CP0190	575, 662, 663
CP0191	575, 662, 663
CP0192	574, 659, 660, 661
CP0193	574, 659, 660, 661
CP0194	27, 660
CP0195	661
CP0196	574
CP0294	574
CP0295	26, 659
CP0450	33
CP0768	575
CP0769	575
CP1000	32
CP1001	32
CP1025	30
CP1040	27
CP1105	559
CP1139	25
CP1174	654
CP1190D	559
CP1190S	559
CP1926	559
CP1928	560
CP1929	560
CP1930	561
CP1931	561
CP1932	558
CP1933	558

Part Number	Page
CP1934	560
CP1935	560
CP1936	560
CP1937	560
CP1941	561
CP1942	561
CP1943	561
CP1944	561
CP1945	561
CP1946	561
CP1947	560
CP1949	559
CP1950	559
CP1954	561
CP1955	561
CP1956	561
CP1957	561
CP2020	559
CP2021	559
CP2022	558
CP2024	560
CP2025	560
CP2031	560
CP2032	560
CP2119	559
CP2120	559
CP2200	31
CP2208	561
CP2209	561
CP220T	559
CP2210	571
CP2211	571
CP2300	31
CP2476	24
CP2477	25
CP2479	24
CP2480	24
CP2481	24
CP2482	24
CP2483	24
CP2484	24
CP2485	24
CP2486	24
CP2490	25
CP2491	25
CP2492	25
CP2493	25
CP2495	25
CP2497	25
CP2498	25
CP2499	25

Part Number	Page
CP3005	32
CP3010	559
CP3011	559
CP3107	26
CP4016	661
CP4018	661
CP4019	662
CP4024	574, 661, 662
CP4050	574, 659, 660, 661, 662
CP4051	574, 659, 660, 661, 662
CP4052	574, 661
CP4053	574, 661
CP4054	574
CP4055	574
CP4101	30
CP4110	29
CP4123	26
CP4140	26
CP5001	26
CP5005	27
CP5006	27
CP5007	29
CP5009	30
CP5021	30
CP5023	30, 653, 658
CP5026	27
CP5027	26
CP5028	29
CP5056	26
CP5056	659, 660
CP5059	28
CP5084	32
CP5089	27
CP5179	29
CP5234	575
CP5314	32
CP5608	560
CP5611	560
CP5618	560
CP5651	560
CP5658	560
CP5691	561
CP6030	23
CP6621	33
CP7027	32
CP7120	28
CP7121	28
CP7132	28
CP7151	26
CP7200	27

Part Number	Page
CP7221	32
CP7232	32
CP7243	32
CP7254	28
CP7257	30
CP7259	30
CP7265	31
CP7400	33
CP7401	33
CP7402	33
CP7703	30, 31
CP7703S	30, 31
CP7704	27
CP7706	31
CP7707	27
CP7808	33
CP7862	34
CP8105	33
CP8128	34
CP8817	26
CP8819	27
CP8900	31
CP9000	662
CP9023	33
CP9036	31
CP9038	31
CP9039	31
CP9040	575
CP9050	575
CP9052	28
CP9055	575
CP9288	33
CP9470	28, 29
CP9471	29
CP9472	29
CP9473	29
CP9474	28
CP9475	29
CP9478	30
CP9484	29
CP9575	574
CP9576	574
CP9577	574, 659, 660, 661, 662
CP9578	575, 659, 660, 662, 663
CP9580	575, 659, 662
CP9590	575
CP9600	575
CP9630	34
CP9760	575
CP9870	663

Part Number	Page
CP9905	575
CP9906	575
CT0601S	579
CT0602	579
CT0603	579
CT0604	579
CT0605	579
CT0801	579
CT0801S	579
CT0802	579
CT0803	579
CT0804	579
CT0805	579
CT1001	579
CT1001S	579
CT1002	579
CT1003	579
CT1004	579
CT1005	579
CT5001	797
CT5002	797
CT5003	797
CT5004	797
E	
EBP25	600
EC3014	626
EC3016	626
EC3018	626
EC3020	626
EC3022	626
EC3024	626
EC3026	626
EC3028	626
EC3030	626
EC3032	626
EF0010	6
EF0023	438
EF0028	438
EF0035	439
EF0036	439
EF0039	473
EF0045	439
EF0046	439
EF0055	474
EF0062	439
EF0063	439
EF0064	439
EF0065	439
EF0067	439
EF0103	439
EF0106	439

Part Number	Page
EF0107	439
EF0135	439
EF0136	439
EF0145	439
EF0146	439
EF0147	439
EF0148	439
EF0160	439
EF0161	439
EF0162	439
EF0163	439
EF0164	439
EF0165	439
EF0166	439
EF0172	439
EF0314	439
EF0420	500
EF0460	481
EF0480	498
EF0670	454
EF0730	508
EF0736	472
EF0744	439
EF0745	439
EF0746	439
EF0760	439
EF0762	439
EF0763	439
EF0764	439
EF0765	439
EF1011	449
EF1066	439
EF1087	474
EF1088	447
EF1089	452, 478
EF1093	466
EF1097	452, 480
EF1100	451, 477
EF1101	465
EF1102	465
EF1103	462, 500
EF1104	498
EF1113	465
EF1114	461, 462, 504
EF1115	488
EF1116	462, 501
EF1118	470
EF1119	486, 487
EF1120	448
EF1121	451
EF1122	448

Part Number	Page
EF1124	471, 472
EF1125	471
EF1127	488
EF1129	470, 472, 473
EF1130	455, 463
EF1132	472
EF1134	471
EF1135	452, 478
EF1137	501
EF1138	470, 471
EF1140	462
EF1142	462
EF1144	467
EF1145	467
EF1146	466
EF1147	464
EF1148	477
EF1149	478
EF1150	451
EF1151	452, 478
EF1152	487
EF1153	487
EF1155	446
EF1156	492
EF1157	492
EF1158	447
EF1159	447
EF1160	473
EF1162	484
EF1163	452
EF1164	453
EF1165	452
EF1166	489
EF1167	489
EF1168	462
EF1169	462
EF1170	485
EF1171	485
EF1172	467
EF1173	467
EF1174	485
EF1175	485
EF1176	512
EF1178	448
EF1179	448
EF1180	456
EF1181	456
EF1182	471, 473
EF1183	471, 472
EF1184	461
EF1185	460

Part Number	Page
EF1186	459
EF1187	500
EF1189	470
EF1190	462
EF1193	456
EF1194	457
EF1195	459
EF1196	459
EF1197	459
EF1198	457
EF1200	469
EF1201	469
EF1202	471
EF1203	469
EF1205	473
EF1206	473
EF1207	472
EF1208	490, 513
EF1209	489
EF1210	473
EF1211	489
EF1212	489
EF1213	456
EF1214	516
EF1215	516
EF1216	445, 512, 513, 515
EF1217	445, 490, 513, 514, 515
EF1218	445, 490, 514, 515
EF1219	445, 489, 514, 515
EF1220	474
EF1221	474
EF1222	474
EF1223	473
EF1224	474
EF1227	515
EF1228	474
EF1231	451
EF1232	452
EF1233	453
EF1237	512
EF1238	512
EF1241	456, 457, 463
EF1242	455, 463
EF1243	455
EF1244	455, 463
EF1245	455
EF1246	455
EF1247	456
EF1249	455, 463

Part Number	Page
EF1250	454
EF1251	454
EF1252	454
EF1253	454
EF1254	455
EF1255	454
EF1256	454
EF1257	454
EF1261	468
EF1262	464
EF1263	467
EF1264	468
EF1266	468
EF1267	467
EF1268	466
EF1269	466
EF1270	471
EF1271	471
EF1273	471
EF1275	470
EF1276	470
EF1277	469
EF1278	470
EF1279	470
EF1280	460
EF1281	479
EF1282	477
EF1283	477
EF1284	477
EF1285	469
EF1288	486
EF1290	504
EF1291	485
EF1292	485
EF1293	477
EF1294	481
EF1295	481
EF1296	481
EF1297	481
EF1299	480
EF1301	488
EF1302	487
EF1303	487
EF1306	488
EF1307	488
EF1308	445
EF1310	445
EF1312	445
EF1313	490
EF1314	487
EF1315	492

Part Number	Page
EF1316	492
EF1317	492
EF1318	492
EF1319	491
EF1320	492
EF1321	492
EF1322	491
EF1323	491
EF1324	491
EF1325	491
EF1326	491
EF1327	491
EF1328	491
EF1329	491
EF1330	482
EF1331	482
EF1332	483
EF1334	483
EF1336	482
EF1337	447, 483
EF1338	484
EF1341	483, 484
EF1342	484, 490
EF1343	484
EF1344	483
EF1345	483
EF1349	484
EF1350	462
EF1351	484
EF1352	483
EF1353	483, 484
EF1354	482, 483
EF1355	482
EF1366	448
EF1367	448
EF1368	470
EF1370	469
EF1373	469
EF1374	469
EF1375	469
EF1376	469
EF1377	468
EF1380	462
EF1381	461
EF1382	461
EF1383	447
EF1384	447
EF1400	451, 476
EF1420	490, 514
EF1422	513, 514, 515
EF1423	513, 514, 516

Part Number	Page
EF1424	513, 514, 515
EF1425	446, 489, 515
EF1426	446, 489, 515
EF1428	489
EF1430	445, 513, 514
EF1431	513, 516
EF1432	445
EF1434	490, 512, 513, 514, 516
EF1452	490
EF1454	490
EF1520	500
EF1535	464
EF1536	464
EF1537	464
EF1540	464
EF1542	464
EF1543	464
EF1545	463
EF1546	463
EF1547	463
EF1550	465
EF1552	466
EF1557	466
EF1560	509
EF1710	460
EF1760	507
EF1780	494
EF1890	499
EF1891	499
EF1892	499
EF1893	499
EF1980	498
EF1990	460
EF2064VH	856
EF2065VH	856
EF2072VH	856
EF2120	479
EF2121	480
EF2122	479
EF2123	480
EF2125	478
EF2126	479
EF2127	479
EF2129	479
EF2130	504
EF2131	497
EF2133	496
EF2134	496
EF2135	496
EF2137	496

Part Number	Page
EF2138	496
EF2140	501
EF2141	494
EF2142	501
EF2143	502
EF2145	494
EF2149	493
EF2151	475
EF2152	475
EF2155	476
EF2157	476
EF2159	498
EF2160	497
EF2162	487
EF2165	468
EF2168	475
EF2169	479
EF2170	468
EF2171	474
EF2172	475
EF2173	475
EF2174	475
EF2175	502
EF2177	501
EF2178	486
EF2179	498
EF2180	500
EF2181	500
EF2182	487
EF2183	494
EF2184	494
EF2185	498
EF2186	497
EF2187	497
EF2188	497
EF2189	508
EF2190	503
EF2191	497
EF2192	507
EF2193	507
EF2194	500
EF2195	507
EF2196	503
EF2197	501
EF2198	498
EF2199	496
EF2231	511
EF2300	503
EF2301	503
EF2302	503
EF2303	495, 511

Part Number	Page
EF2304	495
EF2305	506
EF2306	508
EF2307	508
EF2308	507
EF2309	506
EF2311	511
EF2312	495, 511
EF2313	507
EF2314	507
EF2315	510
EF2316	510
EF2317	511
EF2318	511
EF2319	506
EF2320	493
EF2321	493
EF2322	493
EF2324	510
EF2325	493
EF2326	493
EF2327	493
EF2330	509
EF2331	509
EF2332	510
EF2333	510
EF2334	507
EF2335	506
EF2336	506
EF2337	507
EF2338	506
EF2338J	506
EF2340	502
EF2341	502
EF2342	502
EF2343	502
EF2351	504
EF2352	505
EF2353	505
EF2354	495
EF2355	495
EF2357	495
EF2360	508
EF2361	476
EF2363	476
EF2365	476
EF2381	475
EF2385	475
EF2392	509
EF2393	509
EF2395	508

Part Number	Page
EF2480	504
EF2484	505
EF2485	505
EF2529	461
EF2530	460
EF2533	457
EF2534	457
EF2545	512
EF2571	505
EF2572	505
EF2580	509
EF2590	508
EF2610	495
EF2659	461
EF2660	461
EF2740	460
EF2741	459
EF2742	459
EF2743	459
EF2744	459
EF2745	458
EF2746	458
EF2747	458
EF2748	458
EF2749	458
EF2750	458
EF2753	455
EF2754	455
EF2870	509
EF2871	509
EF2872	499
EF3031	450
EF3034	450
EF3120	465
EF3182	467
EF3352	493
EF3353	492
EF3371	478
EF3500	432
EF3501	432
EF3502	432
EF3503	432
EF3504	432
EF3505	432
EF3506	432
EF3507	432
EF3508	432
EF3509	432
EF3510	432
EF3511	432
EF3512	432

Part Number	Page
EF3513	432
EF3514	432
EF3515	432
EF3516	433
EF3517	433
EF3518	433
EF3519	433
EF3520	433
EF3521	435
EF3522	435
EF3523	435
EF3524	432
EF3525	433
EF3526	433
EF3527	433
EF3528	433
EF3529	433
EF3530	433
EF3531	433
EF3532	433
EF3533	433
EF3534	433
EF3535	433
EF3536	434
EF3537	434
EF3538	434
EF3539	434
EF3540	434
EF3541	434
EF3542	434
EF3543	434
EF3544	434
EF3545	434
EF3546	433
EF3547	432
EF3548	432
EF3549	433
EF3550	433
EF3551	435
EF3552	435
EF3553	432
EF3570	432
EF3571	432
EF3572	433
EF3580	434
EF3602	432
EF3604	432
EF3606	432
EF3609	432
EF3610	433
EF3614	432

Part Number	Page
EF3615	432
EF3625	433
EF3629	433
EF3632	433
EF3633	433
EF3634	433
EF3635	433
EF3636	434
EF3637	434
EF3642	434
EF3643	434
EF3646	433
EF3647	432
EF3648	432
EF3649	433
EF3650	434
EF3657	433
EF3690	435
EF3691	435
EF3692	435
EF3693	435
EF3694	435
EF3703	486
EF3722	453
EF3730	453
EF3741	458
EF3743	458
EF3745	457
EF3747	457
EF3749	457
EF3751	458
EF3753	458
EF3770	499
EF3910	449
EF3911	449
EF3912	448
EF3930	449
EF4018	438
EF4019	437
EF4020	437
EF4021	437
EF4022	437
EF4023	437
EF4024	437
EF4025	437
EF4026	437
EF4027	438
EF4028	434
EF4032	438
EF4033	438
EF4035	438

Part Number	Page
EF4036	438
EF4037	438
EF4038	438
EF4039	438
EF4040	438
EF4050	439
EF4051	439
EF4180	459
EF4810	465
EF5005	488
EF5020	452
EF5035	480
EF5102	500
EF5144	456
EF5146	448, 456
EF5147	456
EF5149	485, 490
EF5150	456
EF5151	488
EF5267	465
EF5268	465
EF5269	466
EF5371	452
EF5372	451, 478
EF5373	451, 478
EF5374	482
EF5375	449, 482
EF5379	451, 477
EF5381	478
EF5382	481
EF5383	482
EF5384	482
EF5385	451, 477
EF5386	481
EF5388	477
EF5490	503
EF5492	503
EF5499	503
EF5515	450
EF5528	450
EF5540	473
EF5590	457
EF5591	457
EF5850	459
EF6350	465
EF6501	446
EF6503	447
EF6509	485
EF6510	485
EF6511	446
EF6512	447

Part Number	Page
EF6513	447
EF6514	446
EF6515	446
EF6540	483
EF6550	446
EF6555	446
EF7040	480
EF7520	481
EF7923	440
EF7924	440
EF7925	440
EF7926	440
EF7927	440
EF7930	440
EF7946	440
EF7981	431
EF7987	431
EF7989	430
EF7991	431
EF7992	430
EF7994	430
EF7996	430
EF7997	430
EF7998	430
EF7999	430
EF8002	450
EF8003	449, 452
EF8004	449
EF8005	449
EF8205	440
EF8901	436
EF8902	436
EF8903	436
EF8904	436
EF8905	436
EF8906	436
EF8907	436
EF8908	436
EF8909	436
EF8910	436
EF8911	436
EF8912	436
EF8913	436
EF8914	436
EF8916	436
EF8917	436
EF8918	436
EF8920	436
EF8921	436
EF8922	436
EF8927	436

Part Number	Page
EF8928	436
EF8990	436
EF9020	439
EF9039	439
EF9100	437
EF9101	437
EF9103	437
EF9104	437
EF9105	437
EF9106	437
EF9107	437
EF9108	437
EF9109	437
EF9111	437
EF9112	437
EF9113	437
EF9131	437
EF9528	429
EF9532	429
EF9629	432
EF9630	434
EF9631	432
EF9634	429
EF9657	429
EFFA02	438
EFFA06	438
EFFA14	480
EFFA70	438
EFFA71	438
EK1106VH	855
EK1351VH	855
EK1370VH	855
EK1371VH	855
EK1401	629
EK1403	629
EK1408A	629
EK1414	629
EK1415	629
EK1511VH	855
EK2170VH	855
EK4012VH	855
EK4014VH	855
EK4015VH	855
EK4058VH	855
EK4100VH	855
EK4103VH	855
EK5012VH	855
EK5015VH	855
EK5020VH	855
EK5060VH	855
EK5103VH	855

Part Number	Page
EK5112VH	855
EK5113VH	855
EK5115VH	855
EK5120VH	855
EK7227VH	855
EK8109	629
EKC002	629
EKC006	629
EKRAM	629
EM0001	444
EM0001	473, 476, 488
EM0002	444
EM0030	10
EM0065	498
EM0070	498
EM0077	10
EM0094	494
EM0112	11
EM0122	9
EM0130	10
EM0204	442
EM0212	10
EM0250	10
EM0364	442
EM0372	499
EM0390	12
EM0454	442
EM0460	8
EM0504	442
EM0620	508
EM0720	11
EM0730	11
EM0763	9
EM0860	11, 499
EM0881	9
EM0922	355, 442
EM0923	355
EM0924	8, 355
EM0925	355
EM0926	355, 442
EM0928	8
EM1113	444
EM1115	444
EM1116	444
EM1118	444
EM1150	460
EM1156	444
EM1160	444
EM1170	8
EM1175	12
EM1176	512

Part Number	Page
EM1177	512
EM1210	12
EM1220	454
EM1290	453
EM1320	472
EM1340	10
EM1370	8
EM1810	494
EM1812	441
EM1890	499
EM2012	6
EM2014	6
EM2030	453
EM2100	12
EM2102	441
EM2130	12, 504
EM2131	496
EM2133	496
EM2196	501
EM2202	470
EM2246	6
EM2303	501, 506, 510, 511
EM2312	495, 501, 506, 510, 511
EM2317	510
EM2318	511
EM2319	510
EM2320	510
EM2321	474
EM2330	509
EM2420	504
EM2440	504
EM2449	10
EM2450	5
EM2452	5
EM2455	5
EM2457	5
EM2459	5
EM2460	5
EM2461	5
EM2462	5
EM2463	5
EM2464	5
EM2465	5
EM2466	5
EM2467	5
EM2468	5
EM2469	5
EM2470	11
EM2521	497, 511
EM2570	466

Part Number	Page
EM2575	466
EM2875	9
EM3070	467
EM3080	12
EM3082	9
EM3200	465
EM3360	503
EM3540	500
EM3700	453
EM3740	10
EM3870	486
EM4064	443
EM4262	443
EM4264	443
EM4501	5
EM4580	486
EM4650	468
EM4780	476, 502
EM4802	441
EM4810	502
EM4812	442
EM5040	468
EM5070	479
EM5100	480
EM5110	480
EM5141	481
EM5165	441
EM5250	497
EM5256	443
EM5265	441
EM5270	476
EM5280	460
EM5311	497
EM5330	504
EM5340	481
EM5460	453
EM5500	450
EM5503	450
EM5504	450
EM5510	450
EM5511	450
EM5512	449
EM5530	9
EM5560	480
EM5592	453
EM5750	466
EM5960	496
EM5980	12
EM6010	478
EM6090	479
EM6100	479

Part Number	Page
EM6311	486
EM6321	486
EM6330	11
EM6331	461
EM6332	461
EM6430	460
EM6472	10
EM6520	460
EM6802	11
EM6812	11
EM7003	443
EM7006	441
EM7017	441
EM7018	443
EM7019	443
EM7022	443
EM7052	442
EM7073	443
EM7106	442
EM7117	442
EM7121	487
EM7122	443
EM7123	8
EM7124	8
EM7140	475
EM7150	486
EM7153	11
EM7173	443
EM7174	441
EM7175	442
EM7180	498
EM7200	508
EM7250	505
EM7252	12
EM7320	507
EM7384	10
EM7420	505
EM7680	495
EM7723	499, 500, 504
EM7724	503
EM7725	495
EM7780	501
EM8240	494
EM8250	475
EM8310	477, 494
EM8490	472
EM8560	509
EM8650	464
EM8671	463
EM8680	464
EM8930	467

Part Number	Page
EM8980	505
EM8990	505
EM9000	486
EM9004	6
EM9005	6
EM9008	9
EM9009	9
EM9010	8
EM9013	9
EM9014	11
EM9015	8
EM9016	9
EM9017	442
EM9018	442
EM9019	441
EM9020	441
EM9022	441
EM9024	441
EM9032	442
EM9033	442
EM9064	439
EM9066	441
EM9067	441
EM9068	441
EM9069	441
EM9075	442
EM9081	442
EM9130	512
EM9170	506
EM9220	502
EM9221	502
EM9301	444
EM9302	444
EM9303	444
EM9304	444
EM9312	444
EM9315	444
EM9591	493
EM9602	493
EM9660	508
EM9720	496
EP003	624
EP006	624
EP008	623
EP009	623
EP010	623
EP025	624
EP026	624
EP030	624
EP065	625
EP121	623

Part Number	Page	Part Number	Page	Part Number	Page	Part Number	Page
EV0034	371	EV2210	352, 355	EV3052	381	EV3171	364
EV0035	371	EV2211	355, 372	EV3054	381	EV3172	366
EV0053VH	849	EV2215	352, 355	EV3056	366	EV3176	381
EV0054VH	849	EV2216	351, 355	EV3057	365, 366	EV3177	379
EV0055VH	849	EV2217	352, 355	EV3058	365	EV3178	387, 388
EV0056VH	849	EV2218	351, 355	EV3059	366	EV3179	398, 401
EV0074	383	EV2219	352, 355	EV3060	365	EV3181	364
EV0091	390	EV2220	352, 355	EV3090	382	EV3182	397
EV0212	357	EV2221	351, 355	EV3091	381	EV3184	369, 372
EV0224	357	EV2222	352, 355	EV3107	375	EV3187	394
EV0306	394	EV2223	353, 355	EV3109	368, 390	EV3189	391
EV0308	392	EV2224	353, 355	EV3110	399	EV3190	370
EV0309	392	EV2227	351, 355	EV3112	374, 398	EV3191	379
EV0311	393	EV2228	353, 355	EV3113	397	EV3192	379
EV0990	382	EV2229	355, 373	EV3115	401	EV3193	381
EV1005VH	849	EV2230	354, 355	EV3116	403	EV3195	379
EV1042M	369	EV2231	355, 372	EV3117	402	EV3196	377, 394
EV1057VH	853	EV2235	353, 355	EV3118	402	EV3197	395
EV1059VH	853	EV2236	353, 355	EV3119	399	EV3198	382
EV1060VH	853	EV2237	354, 355	EV3120	371, 385	EV3199	369, 372
EV1062VH	854	EV2238	352, 355	EV3121	399	EV3202	355, 372
EV1063VH	854	EV2240	354, 355	EV3122D	376, 399	EV3203	355, 372
EV1064VH	854	EV2241	354, 355	EV3125	379	EV3204	355
EV1065VH	854	EV2242	354, 355	EV3128	401	EV3205	355
EV1066VH	854	EV2247	354, 355	EV3129	386	EV3205	373
EV1067VH	854	EV2474	369, 370, 372, 376, 380, 386, 387, 389	EV3130	371, 385	EV3206	355
EV1068VH	854	EV2476	388	EV3131	369	EV3208	355, 372
EV1071VH	854	EV2514	375, 377	EV3137	379, 380	EV3211	407
EV1163VH	853	EV2560	363	EV3139	379	EV3212	374
EV1167VH	854	EV2900	377	EV3140	379	EV3217	374
EV1169	854	EV2902	399	EV3141	407	EV3219	374, 377
EV1170VH	854	EV2905	353, 355	EV3142	369, 384	EV3222	376
EV1172VH	854	EV3005	353, 355	EV3143	407	EV3238	386
EV1174VH	853	EV3006	353, 355	EV3144	390	EV3243	377, 378
EV1206	361	EV3007	353, 355	EV3145	388, 389	EV3247	383
EV1211	400, 405	EV3009	353, 355	EV3146	387, 389	EV3249	383
EV1250	383	EV3012	382	EV3147	370, 384	EV3252	367
EV1300VH	851	EV3013	381	EV3152	371, 390	EV3253	368
EV1400VH	850	EV3015	351, 355	EV3154	364	EV3257	363, 369, 370, 371, 372, 376, 380, 386, 387, 388
EV1401VH	851	EV3016	386	EV3155	364	EV3259	376, 399
EV1564	383	EV3019	351, 355	EV3156	364, 406	EV3263	371, 385
EV1612	361	EV3020	353, 355	EV3158	394	EV3264	399
EV1624	361	EV3022	378	EV3159	381	EV3265	390
EV1990	406	EV3029	355, 373	EV3161	382	EV3271	395
EV2001VH	851	EV3031	365	EV3163	390	EV3272	375
EV2028	376	EV3033	365	EV3164	390	EV3277	378
EV2029	376	EV3035	365	EV3165	389	EV3282	390
EV2206	352, 355	EV3041	366	EV3166	389	EV3283	378
EV2207	352, 355	EV3048	365	EV3167	380, 382	EV3284	363
EV2208	351, 355	EV3049	365	EV3168	379		
EV2209	351, 355	EV3051	381	EV3169	364, 406		

Part Number	Page
EV3285	399
EV3286	399
EV3289	363, 375, 376, 387, 388, 389
EV3290	370, 385
EV3293	375, 376
EV3294	396
EV3295	371, 385
EV3297	402
EV3299	395
EV3300	363, 387, 388, 389
EV3302	369
EV3305	378, 405
EV3306	404
EV3308	366
EV3310	398
EV3316	380
EV3317	387
EV3318	402
EV3319	373, 400
EV3320	404
EV3324	391
EV3325	388
EV3326	388
EV3327	375
EV3328	378
EV3329	370, 385
EV3330	374, 377
EV3331	370, 384
EV3332	377
EV3336	389
EV3338	370
EV3339	402
EV3340	400, 404
EV3344	389
EV3345	388
EV3346	378
EV3348	378
EV3349	380
EV3350	380
EV3352	384
EV3354	403
EV3358	384
EV3361	371, 386
EV3365	404
EV3367	391
EV3368	390
EV3369	377
EV3371	377
EV3384	391
EV3385	365

Part Number	Page
EV3387	387
EV3388	387
EV3389	375
EV3396	368
EV3404	406
EV3405	403
EV3406	403
EV3407	373
EV3409	403
EV3410	367
EV3411	396
EV3412	396, 401
EV3413	396
EV3415	367
EV3416	375, 396
EV3417	374
EV3418	367
EV3419	368
EV3421	375
EV3422	400
EV3423	397
EV3426	403
EV3427	403
EV3428	403
EV3430	395
EV3431	396
EV3432	368, 370, 385
EV3439	401
EV3440	397
EV3442	397, 406
EV3444	384
EV3445	397
EV3447	401
EV3450	404
EV3452	383
EV3454	405
EV3464	375
EV3468	395
EV3470	366
EV3486	404
EV3502	373
EV3503	386
EV3504	373
EV3505	398
EV3506	405, 406
EV3507	373
EV3509	403
EV3510	367
EV3511	366
EV3512	385
EV3513	401

Part Number	Page
EV3514	396
EV3515	398
EV3519	374, 383, 397
EV3520	404
EV3521	403, 405
EV3522	400
EV3524	367, 400
EV3526	399
EV3527	395
EV3528	369, 386
EV3529	405
EV3530	405
EV3531	405
EV3532	405, 406
EV3533	401
EV3534	368
EV3535	367
EV3536	368
EV3537	400
EV3538	398
EV3539	398
EV3540	397, 405
EV3541	404
EV3542	404
EV3543	382
EV3544	404
EV3545	386
EV3546	367
EV3547	367
EV3548	368
EV3549	385
EV3550	384
EV3552	386
EV3554	401
EV3559	373
EV3590	406
EV3651	382
EV3672	382
EV3780	407
EV3781	383
EV3782	374
EV3901	391
EV3902	391
EV3903	391
EV3906	391
EV3910	390
EV4062VH	854
EV4063VH	854
EV4064VH	854
EV4071	395
EV4164VH	854

Part Number	Page
EV4167VH	853
EV4168VH	854
EV4169VH	854
EV4170VH	854
EV4172VH	853
EV4173VH	853
EV4464VH	854
EV4466VH	854
EV4467VH	854
EV4471VH	854
EV4900	394
EV4920	394
EV4966VH	853
EV4970	382
EV5000VH	852
EV5001VH	851
EV5030	392
EV5040	359
EV5045	359
EV5046	359
EV5055VH	854
EV5058VH	853
EV5063VH	853
EV5067VH	854
EV5070VH	854
EV5071VH	854
EV5075	359
EV5076	359
EV5151	361
EV5200	392
EV5202	392
EV5320	392
EV5321	393
EV5326	364, 380
EV5420	395
EV5500	393
EV5501	356
EV5502	356
EV5503	356
EV5504	356
EV5510	356
EV5511	356
EV5533	356
EV5700	394
EV5820	366, 394
EV6005VH	849
EV6150	393
EV6155VH	853
EV6156VH	853
EV6157VH	853
EV6180	393

Part Number	Page
EV6310	393
EV6339	395, 406
EV6350	393
EV6430	392
EV6595	368
EV6651	398, 401
EV6842	358
EV6844	358
EV6850	393
EV6912	357
EV6924	357
EV6950	392
EV7010	393
EV7030	392
EV7070	392
EV7100	394
EV7272	357
EV7274	357
EV7275	361
EV7510	393
EV7741	383
EV7832	358
EV7834	358
EV8000VH	849
EV8512	358
EV8524	358
EV8545	359
EV8546	359
EV8547	359
EV8548	359
EV8802	398, 400
EV8804	402
EV8805	402
EV8806	396, 400
EV8807	384, 402
EV8809	384, 402
EV9202	361
EV9204	361
EV9525	360
EV9526	360
EV9712	357
EV9724	357
EV9750	358
EV9751	358
EV9752	360
EV9753	360
EV9755	358
EV9756	358
EV9757	360
EV9758	360
EV9777	357

Part Number	Page
EV9778	357
EV9779	360
EV9780	360
EV9800	360
EV9801	360
EV9950	371
EV9952	369, 385
EV9954	370
EVC004	363
EVC005	363
EVC008	364
EVC010	363
EVC022	363
EVF040	374
EVF150	402
EW9001	600
EW9002	600
F	
FH4860-10	607
FH4860-12	607
FH4860-6	607
FH4860-8	607
FH6106	606
FH6108	606
FH6110	606
FH6112	606
FH6321	606
FH6322	606
FH6323	606
FH6326	606
FH6327	606
FH6328	606
FH6331	606
FH6332	606
FH6333	606
FH6336	606
FH6337	606
FH6338	606
FH6906VH	859
FH6908VH	859
FH6910VH	859
FH8606	607
FH8608	607
FH8610	607
FH8612	607
FH8614	607
FH8615	607
FH8616	607
FH8617	607
FHAC06	607
FHAC08	607

Part Number	Page
FHAC10	607
FHAC12	607
FHAC21	607
FHAC23	607
FHAC24	607
FHAC26	607
FHAC28	607
FHAC29	607
FHAC31	607
FHAC34	607
FHAC36	607
FHAC38	607
FHAC3806	607
FHAC3808	607
FHAC3810	607
FHAC3812	607
FHAC39	607
G	
G6000	894
G8000	894
G9000	894
G9500HC	894
H	
HA0616VH	852
HA0840	600
HA2006	598
HA2020	581
HA2024	581
HA2540	581
HA2542	581
HA2543	581
HA2550	581
HA2700	581
HA2701	581
HA2702	582
HA2703	582
HA2704	582
HA2705	582
HA2707	582
HA2708	582
HA2722	581
HA4008	597
HA4009	597
HA4017	600
HA5060	597
HA5081	597
HA5082	597
HA5104	599
HA5105	599
HA5121	599
HA5202	598

Part Number	Page
HA5211	597
HA5213	598
HA5217	599
HA5218	599
HA5631	599
HA5669	599, 600
HA6101VH	852
HA6104VH	598
HA6315	598
HA6325	599
HA6420	598
HA6860	597
HA7000	598
HA7001	599
HA7003	600
HA7005	598
HA7007	590
HA7008	590
HA7100	598
HA8295	597
HA9000	582
HA9001	582
HA9002	597
HC0001	588
HC0002	588
HC0003	586
HC0005	588
HC0007	590
HC0009	591
HC0010	593
HC0011	593
HC0014	586
HC0018	587
HC0021	593
HC0025	588
HC0026	587
HC0028	587
HC0029	591
HC0034	593
HC0036	593
HC0039	589
HC0045	589
HC0046	588
HC0048	589
HC0050	590
HC0057	585, 592, 594, 595
HC0058	585, 591
HC0059	590
HC0060	588
HC0061	595

Part Number	Page
HC0062	585
HC0063	592
HC0064	594
HC0065	594
HC0066	587
HC0067	586, 589
HC0068	587
HC0069	586
HC0070	586
HC0074	586
HC0075	586
HC0079	590
HC0080	586, 587
HC0081	587
HC0082	593
HC0083	593
HC0084	594
HC0087	594
HC0089	588
HC0090	589
HC0091	588
HC0093	593
HC0095	593
HC0096	593
HC0097	594
HC0100	585
HC0105	592, 595
HC0106	589, 594
HC0125	589
HC0130	589, 592
HC0140	585
HC0141	585
HC0142	585
HC0143	585
HC0144	587
HC0146	589
HC0148	590
HC0149	591
HC0151	591
HC0154	592
HC0161	586
HC0162	587
HC0163	587
HC0166	592
HC0830	591
HC1000	591
HC1560	591
HC1870	592
HC2720	588
HC3500	591
HF5330	440

Part Number	Page
HF5381	440
HF5382	440
HF5530	440
HF5605	440
HF6001	440
HF8080	440
HF8100	440
HF8110	440
HF9003	440
HF9005M	461
HF9009	451
HO0110	609
HO0116	610, 615
HO0119	609
HO0125	609
HO0128	616
HO0129	616
HO0133	609
HO0142	613
HO0144	608
HO0145	609
HO0146	609
HO0149	616
HO0150	618
HO0151	618
HO0152	617
HO0153	617
HO0154	617
HO0155	609
HO0157	616
HO0158	616
HO0159	619
HO0160	618
HO0175	613
HO0175A	613
HO0201	609
HO0437	612
HO0477	614
HO0485	614
HO0551	608
HO0553	608
HO0554	608
HO0868	612
HO2037	610
HO2038	610
HO2182	619
HO2560	618
HO4090	619
HO4563	612
HO4565	613
HO4651	611

Part Number	Page
HO4652	611
HO4680	612
HO4681	612
HO4800	619
HO5546	610
HO6451	609
HO6484	615
HO6542	615
HO8001	616
HO8002	616
HO8003	616
HO8036	613
HO8070	618
HO8248	614
HO8251	612
HO8253	612
HO8253A	611
HO8254	612
HO8256	612
HO8260	611
HO8261	611
HO8262	611
HO8263	611
HO8264	611
HO8303K	615
HO9960	618
HS008P	796
HS010P	796
HS012P	796
I	
IP0200	628
IP0201	628
IP0205	628
IP0206	628
IP1019	621
IP1020	622
IP1710	621
IP1712	625
IP1780	625
IP2160	625
IP3230	625
IP4200	625
IP5000	624
IP8000	627
IP8104	627
IP8510	627
IP8717	627
IP8720	628
IP8721	628
IP8722	628
IP8735	627

Part Number	Page
IP8750	627
IP8751	627
IP8752	627
IP9002	622
IP9007	623
IP9017	622, 624, 625
IP9504	622
IP9505	622
IP9516	622
IP9701	621
IP9702	621
IP9703	621
IP9705	621
IP9710	621, 625
IP9711	621
IP9713	624
IP9715	622, 624
IP9720	627
IP9721	627
IP9722	624
IP9725	622
IP9730	622
IP9847	623
IP9848	623
IP9965	621
IP9970	622
L	
LV0000	634
LV0001	632
LV0002	631
LV0003	632
LV0004	632
LV0006	631
LV0018	632
LV0019	632
LV0121	635
LV0128	632
LV0145	631
LV0157	631
LV0223	634
LV0224	633
LV0289	635
LV0448	633
LV0478	633
LV0561	634
LV0575	634
LV0584	633
LV0593	633
LV0649	633
LV1001	635
LV1002	635

Part Number	Page
LV1003	635
LV1004	635
LV1005	634
LV1006	635
LV1006VH	857
LV1007	634
LV1008	633
LV1011	635
LV1016	633
LV1016VH	857
LV1017	632
LV1018	636
LV1020	636
LV1023VH	857
LV1024VH	857
LV1025VH	857
LV1028VH	857
LV1029VH	857
LV1030VH	857
LV1032VH	857
LV1033VH	857
LV1047	635
LV1802	634
LV2014	631
LV2015	631
LV2023	632
LV2140	634
LV2250	634
LV2300	634
LV2550	633
LV3000	355
LV3001	355
LV3002	355
LV3003	355
LV3004	355
LV3005	355
LV3006	355
LV3007	355
LV3010	355
LV3011	355
LV3012	355
LV3013	355
LV3014	355
LV3025	355
LV3026	355
LV3029	355
LV3030	355
LV3031	355
LV3033	355
LV3034	355
LV3035	355, 633

Part Number	Page
LV3037	355
LV3040	636
LV3100	631
LV3110	631
LV3120	632
LV3130	632
LV3150	631
LV3157	635
LV3200	631
LV3550	636
LV3600	636
LV5546	636
M	
MEV016	381
O	
OG0011	650
OG0022	650
OG0045	650
OG0065	650
OG0090	647
OG0141-5	649
OG0404	650
OG0404-08	650
OG0404-50	650
OG0430	650
OG1007	646
OG1009	647
OG1010	647
OG1011	649, 873
OG1303	647
OG1394	648
OG1396	648, 873
OG1681	645
OG1683	645
OG1684	645
OG1686	645
OG300G	648
OG300S	648
OG350G	648
OG350S	648
OG3755	646
OG3756	646
OG375A	648
OG6000	517, 647
OG6001	644
OG6001UV	644
OG6004	644
OG6012	647
OG6327	644
OG6810	644
OG6810UV	644

Part Number	Page
OG6812	644
OG6812UV	644
OG6822	644
OG6822UV	644
OG6860	644
OG6863	644
OG6864	644
OG6868	644
OG7008	646
OG7011	646
OG7013	647
OG7014	648
OG7026	647, 871
OG7027	647, 871
OG7028	647, 871
OG7040	645
OG7043	645
OG7044	645
OG7046	645
OG7047	645
OG7050	645
OG7053	645
OG7054	645
OG7060	645
OG7063	645
OG7070	645
OG7072	645
OG7073	645
OG7076	647
OG7201	647
OG7203	648
OG8000	646
OG8011	646
OG8012	646
OG8040	646
OG9040	646
OR0002	658
OR0005	658, 660
OR0006	658
OR0015	658
OR0016	658
OR0017	658
OR0019	658
OR0020	658
OR0021	659
OR0022	658
OR0024	658
OR0025	658
OR0027	658
OR0028	658
OR0029	658

Part Number	Page
OR0031	658
OR0032	658
OR0033	658
OR0038	658
OR0039	658
OR0041	658
OR0155	654
OR0169	658
OR0172	658
OR0173	658
OR0174	658
OR0179	658
OR0180	658
OR0182	658
OR0183	658
OR0184	658
OR0185	658
OR0187	658, 660
OR0188	658, 660
OR0189	658
OR0190	660
OR0200	660
OR0201	658
OR0202	658
OR0203	658
OR0228	659
OR0237	658, 659, 660
OR0238	651, 660
OR0239	660
OR0240	660
OR0241	660
OR0245	659, 660
OR0249	658, 659
OR0250	659, 660
OR0253	660
OR0258	658
OR0264	659, 660
OR0269	658, 660
OR0271	659
OR0275	659
OR0276	659
OR0277	659
OR0279	659
OR0280	659
OR0281	659
OR0282	659
OR0283	659
OR0284	659
OR0285	659
OR0286	659
OR0302	659

Part Number	Page
OR0304	660
OR0305	659
OR0306	659
OR1320	656
OR1321	656
OR1322	656
OR1323	656
OR1324	656
OR1705	661
OR1711	661
OR1712	661
OR1713	661
OR1715	661
OR1717	661
OR2025	656
OR2035	656
OR2450	656
OR3118	658
OR3119	653, 659
OR3120	653
OR3140	594, 652
OR3324	655, 657
OR3325	655, 657, 659
OR3326	655, 657
OR3327	655
OR3328	654
OR3329	654
OR4013	658
OR4769	654
OR4771	654
OR4812	656
OR4813	656
OR6316	656
OR6327	656
OR7003	657
OR7004	657
OR7116	654
OR7116B	654
OR7164	653
OR7165	653, 662
OR7165B	653, 658
OR7167	652
OR7168	652, 662
OR7168B	652, 658
OR7170	653, 658
OR7184	655, 658
OR7195	652, 658
OR7196	652, 658
OR7197	652, 658
OR7198	652, 658
OR9007	651

Part Number	Page
OR9007B	651
OR9018	653
OR9031	653, 657
OR9031B	653
OR9032	653, 657
OR9032B	653, 658
OR9220	590, 656
OR9301	651, 657
OR9301B	651, 658
OR9302	651, 657
OR9303	651, 657, 658
OR9304	651, 657, 658
OR9305	651, 657, 658, 659, 660
OR9306	651, 657, 658, 659, 660
OR9307	652
OR9308	652, 657
OR9309	652
OR9310	657
OR9311	652
OR9312	652, 657
OR9313	651
OR9314	651
OR9315	651
OR9316	651
OR9317	651
OR9318	651, 658
OR9320	656
OR9321	651
OR9322	651
OR9322B	651
OR9400	651
OR9853	652, 658
OR9854	652, 658
OR9855	652, 658, 660
OR9856	652
OR9857	651, 658
OR9858	651, 658
OR9859	651, 658
OR9860	651, 658
OR9861	655
OR9862	652, 660
OR9863	651, 658
OR9864	655
OR9865	654
OR9866	655
OR9867	661
OR9868	653, 658
OR9869	657, 658
OR9870	659
OR9871	659

Part Number	Page
OR9872	660
OR9873	660
OR9874	655
OR9875	655
OR9876	655
OR9877	660
OR9878	655
OR9879	655
OR9885	654
OR9886	656
OR9922	654
OR9923	654
OR9924	654
OR9925	654
OR9926	657
OR9927	657
OR9928	657
P	
PR0710	791
PR1424	792
PR1450	791
PR1670	791
PR2006	791
PR2151	791
PR2154	791
PR3560	791
PR6118	791
PS0003	676
PS0030	671, 677, 678, 681, 682
PS0140	672
PS0580	676
PS0630	681
PS0720	682
PS1018	673
PS1022	669
PS1031	669
PS1035	669, 673, 675, 677, 678
PS1036	669
PS1037	669, 676
PS1039	669, 673, 676, 677, 678
PS1040	669
PS1041	678
PS3110	669, 671
PS3111	669, 672
PS3112	669
PS3132	669
PS3172	669
PS3200	681
PS3201	672, 674, 682
PS3202	673

Part Number	Page
PS3203	677
PS3205	675
PS3206	678
PS3207	675
PS3211	676
PS3392	673
PS3610	669, 677
PS3612	669, 678
PS3613	674
PS3614	675
PS3615	673
PS3616	674
PS3617	670
PS3619	671
PS3620	677
PS3621	682
PS3632	669
PS3680	669, 673, 674
PS3685	673
PS3686	672, 673, 674
PS4110	669, 673, 674
PS4120	669
PS4132	669
PS4500	680, 683
PS4510	681, 684
PS4610	669
PS4620	669
PS4632	669
PS4640	674, 683
PS4641	674, 683
PS4642	674
PS4643	672, 675
PS4644	675
PS4645	683
PS4646	682
PS4647	683
PS4648	683
PS4649	670, 671, 682
PS4650	670
PS4652	671
PS4653	672, 675, 676
PS4654	672
PS4655	676
PS4657	677
PS4659	670
PS4660	670
PS4661	670
PS4662	683
PS4663	681
PS4665	681
PS4666	670, 671

Part Number	Page
PS4675	670
PS5176	678
PS5178	670, 681, 682
PS5181	670, 677
PS6060	679
PS6070	679
PS6100	679
PS6120	679
PS6140	679
PS6150	679
PS6160	679
PS6180	679
PS6181	679
PS6183	680
PS6210	680
PS6230	680
PS7010	680
PS7050	680
PS7077	672
PS7140	671, 681
PS7179	674
PS7189	675
PS7500	680
PS7550	680
PS7600	680
PS7650	676, 680
PS8116	671, 676
PS8690	681
PS8742	678
PS8743	669, 671, 672, 675, 676, 678, 682
PS8755	669, 679
PS8803	671, 678
PS8826	672, 677
PS8827	682
PT0710	798
PT0710N	798
PT0730	798
PT0730N	798
PT1010	798
PT1010N	798
PT1030	798
PT1030N	798
PT1310	798
PT1310N	798
PT1330	798
PT1330N	798
PT1610	798
PT1610N	798
PT1630	798
PT1630N	798

Part Number	Page
PT2010	798
PT2010N	798
PT2030	798
PT2030N	798
PT2310	798
PT2310N	798
PT3010	798
PT3010N	798
PT3030	798
PT3610	798
PT3610N	798
PT4810	798
PV0040	33
R	
RB1301	530
RB1301-3	530
RB1302	530
RB1302-3	530
RB1303	530
RB1303-3	530
RB1304	530
RB1307	530
RB1307-3	530
RB1308	530
RB1311	534
RB1312	534
RB1313	534
RB1314	534
RB1321	538
RB1321-3	538
RB1322	538
RB1322-3	538
RB1323	538
RB1323-3	538
RB1324	538
RB1328	538
RB1401	542
RB1402	542
RB1403	542
RB1404	542
RB1407	542
RB1412	543
RB1413	543
RB1423	545
RB1424	545
RB1427	545
RB1801	546
RB1802	546
RB1803	546
RB1804	546
RB1811	547

Part Number	Page
RB1812	547
RB1813	547
RB1814	547
RB1821	548
RB1822	548
RB1823	548
RB1824	548
RB6101	551
RB6101-3	551
RB6102	551
RB6102-3	551
RB6103	551
RB6103-3	551
RB6104	551
RB6104-3	551
RB6105	551
RB6106	551
RB6107	551
RB6601	569
RB6602	569
RB6603	569
RB6604	569
RB6605	569
RD0010	745
RD0011	766, 767, 783
RD0012	701
RD0069	752
RD0080	702, 703, 782
RD0081	702, 703
RD0082	702, 782
RD0084	703, 782
RD0085	782
RD0086	702, 703
RD0088	702
RD0104	763
RD0105	764
RD0106	763
RD0108	764, 765, 766
RD0109	763
RD0110	763
RD0111	763
RD0112	698, 750, 751, 752, 753, 760
RD0123	747
RD0126	697, 752
RD0128	723, 724
RD0134	698, 725, 756
RD0161	697
RD0162	698, 723, 756, 758
RD0205	759
RD0206	759

Part Number	Page
RD0306	759
RD0408	697, 749, 773
RD0460	735, 762
RD0505	759
RD0546	697, 740
RD1002	732
RD1003	732, 762
RD1011	735, 762
RD1114	746
RD1116	747
RD1123	747
RD1124	747
RD1126	747
RD1128	747
RD1306	709, 759
RD1460	703
RD2013	717
RD2014	726
RD2038	701, 702, 760
RD2043	708, 718, 721, 736, 740
RD2054	697, 780
RD2082	717
RD2085	699, 738
RD2088	706, 736
RD2089	701
RD2100	720
RD2104	740
RD2106	717
RD2116	767
RD2138	717
RD2163	717
RD2164	755
RD2197	697, 780
RD2222	716
RD2224	736
RD2229	739, 762
RD2234	763
RD2407	697
RD2410	697
RD2426	699
RD2428	699, 749
RD2496	737
RD2527	737
RD2529	737
RD2546	761, 763
RD2563	707
RD2564	707
RD2590	707, 761
RD2606	721, 761
RD2807	716

Part Number	Page
RD2814	716
RD2818	716
RD2819	716
RD2820I	732
RD2823	716, 720
RD3010	719
RD3020	719
RD3021	720
RD3026	720
RD3050	717
RD3136	763, 786
RD3146	721, 761
RD3326	721, 761
RD3327	721, 786
RD3356	736, 762
RD3376	762, 785, 786
RD3377	739, 764
RD3380	764
RD3521	720
RD3900	785
RD3910	786
RD3912	785
RD3915	785
RD3916	785
RD3917	739, 762
RD3918	722
RD3919	786
RD3921	785
RD3922	763, 786
RD3923	739, 745
RD3924	766
RD3925	785
RD3926	766
RD3927	765, 766
RD3928	714
RD3929	714
RD3930	715, 740
RD3935	745
RD4001	780
RD4005	759
RD4006	759
RD4016	717
RD4020	776
RD4030	716
RD4040	713, 743, 771, 772, 773, 774, 775, 776, 777, 779
RD4050	743
RD4050	730, 739, 751, 769, 770, 771
RD4051	776
RD4052	720

Part Number	Page
RD4055	703, 722, 783
RD4070	739, 749, 771, 772, 773, 774, 775, 776, 777, 778, 779
RD4085	739, 772, 778
RD4108	746
RD4164	702, 765
RD4165	765
RD4170	780
RD4200	709
RD4201	709
RD4202	709
RD4203	709
RD4398	746
RD4398M	746
RD4400	748
RD4401	747
RD4402	747
RD4403	748
RD4404	746, 747
RD4405	748
RD4406	748
RD4407	748
RD4408	767, 783
RD4409	748
RD4412	704
RD4413	697, 779
RD4414	745
RD4430	705
RD4431	704
RD4433	705
RD4434	704
RD4435	704
RD4501	767, 782, 783
RD4502	781, 783
RD4503	709
RD4504	781
RD4911	760
RD4922	760
RD4928	760
RD5010	754, 755, 756, 758
RD5015	699, 719, 742, 743, 744, 745
RD5061	719
RD5109	701
RD5154	735
RD5160	712, 724, 770, 774, 777, 779
RD5161	701, 780
RD5176	757
RD5177	757

Part Number	Page
RD5178	757, 758
RD5179	750, 752, 755, 758, 769
RD5401	702, 703, 767, 781
RD5402	781, 783
RD5500	756
RD5560	738, 761
RD5561	738, 760
RD5613	710, 727
RD6012	725
RD6023	725, 777
RD6024	707, 734, 735
RD6025	707
RD6026	730, 731
RD6027	730
RD6028	718
RD6029	706
RD6069	730
RD6106	750
RD6107	698
RD6108	725, 776
RD6109	699, 715, 717, 730, 731, 750
RD6110	698
RD6112	720
RD6113	721
RD6115	785
RD6117	756, 757
RD6118	725, 726
RD6119	699
RD6120	731
RD6121	740
RD6122	731
RD6123	721
RD6124	786
RD6126	699, 710, 740
RD6128	699, 749
RD6129	724
RD6159	699, 729, 742, 743, 744, 752
RD6164	708
RD6181	699
RD6182	700
RD6200	714
RD6226	700
RD6228	700
RD6255	725
RD6260	754, 756, 758
RD6309	700, 716, 751

Part Number	Page
RD6310	700, 712, 713, 718, 719, 723, 740, 741, 742, 744, 770, 771, 772, 773, 774, 775, 776, 778, 779
RD6310M	700
RD6311	730, 731, 732
RD6312	728, 729
RD6316	727
RD6317	722
RD6319	722, 727
RD6331	722
RD6337J	724
RD6339	766, 767, 782
RD6356	765
RD6358	765
RD6359	700, 719
RD6360	737, 766
RD6484	701
RD6503	745
RD6504	748
RD6505	748
RD6709	700
RD6759	700, 729, 730
RD6760	701
RD7001	702, 712, 713, 722, 727, 743, 751, 752, 760, 771, 772, 774, 775, 777, 778, 783
RD7003	712, 715, 726, 727, 751, 753, 771, 772, 773, 774, 775, 776, 777
RD7004	698, 780
RD7005	723, 744, 769, 770, 772, 773, 776
RD7006	723, 738, 741, 757, 758
RD7007	714, 740
RD7008	732
RD7009	718, 719, 742, 743, 744
RD7010	718, 741, 742
RD7011	742, 744
RD7015	718, 719, 742, 743, 754
RD7016	728, 729
RD7017	714, 718, 719, 741, 742
RD7018	706
RD7019	714, 717, 768
RD7020	784
RD7021	728, 729

Part Number	Page
RD7022	728, 729, 745
RD7023	750, 751, 757
RD7024	755
RD7025	706, 732
RD7026	750, 755, 768, 769
RD7027	711, 712, 726, 738, 771, 773, 774, 776, 777, 778
RD7028	712, 726, 744, 755, 768, 769, 770, 773
RD7029	730, 741
RD7030	720
RD7031	712, 722, 744, 772
RD7032	784
RD7035	720
RD7036	754, 755, 757, 758
RD7037	749, 750
RD7039	749, 750, 751, 753, 784
RD7040	756, 768
RD7041	754, 755, 757, 768, 769
RD7042	698
RD7043	698
RD7044	742
RD7046	710
RD7047	710, 711
RD7048	718, 741
RD7049	723, 724
RD7050	783, 784
RD7052	715
RD7053	757, 758
RD7054	775, 778, 779
RD7055	784
RD7056	721
RD7057	721
RD7059	723, 724
RD7060	711
RD7061	750, 751, 752, 753
RD7063	779
RD7065	753
RD7066	733
RD7067	709, 710, 759, 760
RD7068	754, 757, 758
RD7069	738
RD7070	717
RD7071	750, 752
RD7072	738, 749

Part Number	Page
RD7074	783
RD7075	756
RD7076	768
RD7077	752
RD7078	725
RD7079	724, 726
RD7080	764
RD7082	733
RD7083	774
RD7084	734
RD7085	741
RD7086	746, 748
RD7088	782
RD7089	784, 786
RD7091	753
RD7092	784, 785
RD7093	723, 724
RD7094	737
RD7095	741
RD7096	716, 745
RD7097	727
RD7098	715, 743
RD7100	784
RD7101	751, 753
RD7103	728, 729
RD7104	770
RD7105	726
RD7106	728
RD7107	781
RD7108	733
RD7109	784
RD7113	758
RD7115	745, 781
RD7116	698
RD7118	755
RD7119	707, 761
RD7122	715, 718
RD7124	733
RD7128	733
RD7130	732, 762
RD7131	754, 768
RD7133	700, 754, 764, 781
RD7145	754
RD7149	744
RD7150	741
RD7152	742, 743
RD7157	729
RD7158	729
RD7161	728
RD7163	727

Part Number	Page
RD7164	728
RD7165	727
RD7166	730
RD7167	728
RD7168	728, 738, 770
RD7170	711
RD7171	749
RD7174	769
RD7175	769
RD7176	769
RD7177	768
RD7178	768
RD7184	731
RD7186	711, 731, 737, 767
RD7187	732
RD7188	731
RD7189	731, 736
RD7190	708, 737
RD7191	748, 767
RD7192	736
RD7193	722
RD7195	716
RD7196	725
RD7320	702, 781
RD7325	752
RD7330VH	858
RD8005	713, 780
RD8010	713
RD8020	713
RD8021	713, 780
RD8022	713, 780
RD8030	713
RD8040	714
RD8060	714
RD8070	711, 775
RD8080	714
RD8115	734
RD8116	734
RD8117	734
RD8118	735
RD8120	734
RD8133	736, 762
RD8211	707, 761
RD8239	722, 735
RD8240	735
RD8243	706, 753
RD8261	707, 761
RD8324	736, 762
RD8501	706, 720, 753
RD8517	703, 726, 739, 785

Part Number	Page
RD9003	701
RD9010	746
RD9011	746
RD9012	708, 736, 766
RD9050	733
RD9055	764, 765, 766
RD9062	732
RD9100	733
RD9151	705
RD9152	704
RD9153	764, 765
RD9154	705
RD9157	704
RD9158	705
RD9159	705
RD9160	740
RD9162	765
RD9163	704
RD9164	704, 705, 706
RD9165	705
RD9166	765
RD9167	706
RD9168	704
RD9169	706
RD9170	746
RD9177	703
RD9200	733
RD9201	733, 734
RD9202	734
RD9248	715, 768
RD9300	718, 756
RD9580	708
RD9581	709
RD9582	708
RD9583	708
RD9584	719
RD9586	708
RD9587	708
RD9655	710, 711
RD9696	711
RD9697	710
RD9698	710, 723
RD9748	707
RD9749	707, 734, 735
RD9751	735
RD9770	726
RD9775	723, 724, 727
RD9776	710
RD9777	715, 782
RD9778	782
RD9779	709, 760

Part Number	Page
RD9780	749
RD9781	715, 738
RD9803	737
RD9804	782
RD9805	737
RD9806	747
S	
SB1101	523
SB1102	523
SB1103	523
SB1104	523
SB1107	523
SB1112	524
SB1113	524
SB1114	524
SB1121	526
SB1122	526
SB1123	526
SB1124	526
SB1126	526
SB1127	526
SB1301	531
SB1301-3	531
SB1302	531
SB1302-3	531
SB1303	531
SB1303-3	531
SB1304	531
SB1305	531
SB1306	531
SB1307	531
SB1307-3	531
SB1308	531
SB1310	531
SB1311	534
SB1311-3	534
SB1312	534
SB1312-3	534
SB1313	534
SB1313-3	534
SB1314	534
SB1317	534
SB1317-3	534
SB1321	539
SB1321-3	539
SB1321-SSD	539
SB1322	539
SB1322-3	539
SB1322-SSD	539
SB1323	539
SB1323-3	539

Part Number	Page
SB1323-SSD	539
SB1324	539
SB1325	539
SB1326	539
SB1326-3	539
SB1327	539
SB1327-3	539
SB1328	539
SB1330	539
SB1401	542
SB1402	542
SB1403	542
SB1404	542
SB1407	542
SB1417	543
SB1421	545
SB1422	545
SB1423	545
SB1424	545
SB1427	545
SB1801	547
SB1802	547
SB1803	547
SB1804	547
SB1814	547
SB1824	548
SB1926	567
SB1927	567
SB2132-3	558
SB2133-1	558
SB2133-3	558
SB2142-1	558
SB2142-3	558
SB2143-1	558
SB2143-3	558
SB2144-1	558
SB2144-3	558
SB2901	563
SB2902	564
SB2903	564
SB2904	564
SB2905	563
SB2906	564
SB2908	563
SB2909	564
SB2921	564
SB2922	564
SB2923	564
SB2925	564
SB2926	564
SB2928	564

Part Number	Page
SB2929	564
SB3001	564
SB3002	564
SB3003	564
SB6101	551
SB6101-1	551
SB6101-3	551
SB6102	551
SB6102-1	551
SB6102-3	551
SB6103	551
SB6103-1	551
SB6104	551
SB6104-1	551
SB6190	551
SB6601	569
SB6602	569
SB6603	569
SB6604	569
SB6605	569
SE0027	435
SE1134	792
SE2002	787
SE2003	787
SE2010	355
SE2011	355
SE2013	355
SE2014	355
SE2015	355
SE2016	355
SE2017	355
SE2420	788
SE3005	355
SE3008	355
SE3009	355
SE3010	355
SE3011	355
SE3012	355
SE3013	355
SE3014	355
SE3015	355
SE3016	355
SE3017	355
SE3018	355
SE3025	355
SE3027	355
SE3525	355
SE4001	792
SE4002	792
SE4997	431
SE5001	787

Part Number	Page
SE5002	787
SE6006	790, 802
SE6007	790, 802
SE7420	787
SE8636	792
SE9002	792
SP0100	794
SP0120	794
SP0130	794
SP0205	794
SP0410	797
SP0507VH	857
SP0558VH	857
SP0559VH	857
SP0570VH	857
SP0571VH	857
SP0572VH	857
SP0710	797
SP0910	797
SP1200V	857
SP1229V	857
SP1502	787
SP1503	788
SP1509	787
SP1510	797
SP1512	787
SP1917	788, 794
SP2010	797
SP2020	792
SP2228	355
SP2279	794
SP2419VH	858
SP3001	797
SP3002	797
SP3003	797
SP3004	797
SP3006	797
SP3012	797
SP3013	795
SP3016	795
SP3044	788
SP3100VH	857
SP3779	789
SP3894	790
SP4040	791
SP4050	791
SP5000	792
SP5010	793
SP5025	795
SP5027	793
SP5028	793

Part Number	Page
SP5029	793
SP5030	793
SP5031	793
SP5032	793
SP5112	60
SP5208	60
SP5209	60
SP5210	793
SP5829	792
SP6001	795
SP6010	796
SP6010-25	796
SP6013	796
SP6013-25	796
SP6015	796
SP6018	796
SP6018-25	796
SP6025	796
SP6025-25	796
SP7044	637, 858
SP7045	637, 858
SP7046	637, 858
SP8022	796
SP8022-25	796
SP8105VH	857
SP8120	796
SP8120-25	796
SP9003	793
SP9004	792
SP9019	790
SP9020	790
SP9025	794
SP9027	794
SP9033-10	858
SP9033-2	637
SP9033-2	858
SP9033-5	858
SP9034-10	858
SP9034-2	637, 858
SP9035-10	858
SP9035-2	637, 858
SP9035-5	858
SP9036	795
SP9038	795
SP9039	795
SP9040	795
SP9041	795
SP9042	795
SP9045	795
SP9046	795
SP9110VH	857

Part Number	Page
SP9161VH	857
SP9200VH	857
SP9400	793
SP9442	683
SP9443	683
SP9760	60
SR1301	531
SR1301-3	531
SR1302	531
SR1302-3	531
SR1303	531
SR1303-3	531
SR1304	531
SR1307	531
SR1307-3	531
SR1311	534
SR1311-3	534
SR1312	534
SR1312-3	534
SR1313	534
SR1313-3	534
SR1314	534
SR1317	534
SR1321	539
SR1321-3	540
SR1322	539
SR1322-3	540
SR1323	539
SR1323-3	540
SR1324	539
SR1327	539
SR1327-3	540
SR1328	540
SR1401	542
SR1402	542
SR1403	542
SR1407	542
SR1411	543
SR1412	543
SR1413	543
SR1421	545
SR1422	545
SR1423	545
SR1427	545
SR1801	547
SR1802	547
SR1803	547
SR1821	548
SR1822	548
SR1823	548
SR2901	564

Part Number	Page
SR2906	564
SR6101	552
SR6101-3	552
SR6102	552
SR6102-3	552
SR6103	552
SR6103-3	552
SR6104	552
SR6104-3	552
SR6105	552
SR6106	552
SR6107	552
SR6601	569
SR6602	569
SR6603	569
SR6604	569
ST1101	522
ST1102	522
ST1103	522
ST1111	524
ST1112	524
ST1113	524
ST1121	525
ST1122	525
ST1123	525
ST1301	528
ST1301-3VH	859
ST1301VH	859
ST1302	528
ST1302-3VH	859
ST1302VH	859
ST1303	528
ST1303-3VH	859
ST1303VH	859
ST1311VH	859
ST1312VH	859
ST1313VH	859
ST1321	535
ST1321-3VH	859
ST1321VH	859
ST1322	535
ST1322-3VH	859
ST1322VH	859
ST1323	535
ST1323-3VH	859
ST1323VH	859
ST1401	541
ST1402	541
ST1403	541
ST1421	544
ST1422	544

Part Number	Page
ST1423	544
ST1932VH	859
ST2321	535
ST2322	535
ST2323	535
ST3000	557
ST3001	557
ST3002	557
ST3004	557
ST3005	557
ST3006	557
ST4216VH	858
SW0001	790
SW0003	789
SW0008	790
SW0009	789
SW0010	790
SW0012	789
SW0110	789
SW1050	788
SW1055	789
SW1058	788
SW1059	788
SW1086	787
SW1150	789
SW1200	789
SW2210	789
SW2225	355
SW2410	789
SW2520	790
SW3290	790
SW3402	794
SW5812	361
SW5814	361
SW6618	788
SW7603	787
T	
TA1630	805
TA1790	804
TA5014	805
TFC102	518
TFC105	518
TFC106	518
TFC114	518
TFC151	518
TFC167	518
TM3001	802
TM3628	802
TM6682	803, 804
TM8270	804
TM8370	805

Part Number	Page
TM8470	804
TM8670	805
TO0001	874
TO0005	649, 886
TO0006	874
TO0027	892
TO0032	894
TO0033	885
TO0040	893
TO0041	893
TO0042	893
TO0044	893
TO0052	877
TO0054	867
TO0061	867
TO0102	870
TO0250	892
TO0322	887
TO0337	889
TO0338	889
TO0355	887
TO0365	887
TO0366	887
TO0375	886
TO0380	882
TO0400	865
TO0449	877
TO0469	882
TO0536	888
TO0677	880
TO0689	887
TO0780	883
TO0783	884
TO0790	883
TO0792	888
TO1000	881
TO1001	881
TO1008	662
TO1009	662, 880
TO1010	882
TO1016	880
TO1027	880
TO1113	891
TO1114	891
TO1205	877
TO1206	882
TO1301	884
TO1316	880
TO136Y	879
TO1384	889
TO1458	889

Part Number	Page
TO1475	888
TO1500	890
TO1524	878
TO1538	880
TO1539	882
TO1540	874
TO1544	881
TO1545	662, 881
TO1546	882
TO1548	874
TO1549	874
TO1550	875
TO1551	875
TO1552	877
TO1553	877
TO1554	877
TO1556	882
TO1557	881
TO1571	875
TO1574	875
TO1577	875
TO1602	877
TO1622	875
TO1623	874
TO172B	879
TO172R	879
TO172Y	879
TO2021	893
TO2250	876
TO236B	879
TO236R	879
TO236Y	879
TO2500	876
TO250T	889
TO2525	888
TO2705	878
TO2706	878
TO272B	879
TO272R	880
TO272Y	880
TO3017	889
TO3019	889
TO3100	648
TO3100	886
TO3203	866
TO3205	864
TO3206	864
TO3207	864
TO3210	864
TO3210-1	864
TO3210-2	864

Part Number	Page
TO3216	883
TO3218	884
TO3221	865
TO3260	864
TO3282	883
TO3287	883
TO3371	890
TO3541	887
TO3723	890
TO3724	890
TO3725	890
TO3726	890
TO3727	890
TO3762	890
TO3776	889
TO3816	891
TO3817	650, 873
TO3970	873
TO4003	881
TO400T	867
TO4010	881
TO4015	881
TO4021	865
TO4022	866
TO4108	887
TO4110	887
TO4210	876
TO4211	876
TO4214	876
TO4215	876
TO4375	886
TO4565	878
TO4566	878
TO4567	878
TO4568	878
TO4908	881
TO5017	893
TO5020	861
TO5029	861
TO5033	862
TO5060	862
TO5200	877
TO5300	884
TO5901	861
TO6002	892
TO6003	892
TO6014	866
TO7006	872
TO7104	880
TO7150	890
TO7184	868

Part Number	Page
TO7193	868
TO7194	868
TO7195	868
TO7840	872
TO8002	862
TO8030	649, 885
TO8034	649, 885
TO8621	649, 885
TO8640	885
TO8681	885
TO8697	649, 886
TO8710	888
TO8730	888
TO9023	650, 873
TO9266	893
TO9301	662
TO9302	662, 888
TO93FB	888
TO9801	866
TO9802	867
TO9803	876
TO9804	884
TO9805	870
TO9806	870
TO9807	870
TO9808	872
TO9810	863
TO9811	873
TO9812	884
TO9815	886
TO9816	863
TO9820	876
TO9851	878
TO9890	863
TO9900	869
TO9901	869
TO9905	869
TO9906	869
TO9945	649
TOR700	865
TS1005	803
TS1006	803
TS2204	802
TS2250	804
TS3100	804
TS3150	804
TS3200	804
TS4028	803
TS4075	803
TS4145	803
TS4157	804

Part Number	Page
TS4890	803
TS6005	802
TS6012	802
TS6018	802
TS6110	804
TS6204	801
TS7002	802
TS7004	355
TS7005	355
TS7006	355
TS7007	803
TS7009	801
TS7018	801
TS7021	355
TS7022	355
TS7024	801
TS7036	801
TS7048	801
TS7060	801
TS7072	801
TS7109	803
TX0020	843
TX0030	836
TX0032	836
TX0035	843
TX0048	846, 848
TX0051	846, 848
TX0052	846, 848
TX0053	846, 848
TX0054	846, 848
TX0055	846, 848
TX0056	846, 848
TX0057	846, 848
TX0058	846, 848
TX0059	846, 848
TX0060	847
TX0061	847
TX0070	843
TX0080	822
TX0090	843
TX0150	827
TX0167	847, 848
TX0180	822
TX0210	826
TX0220	836
TX0230	821
TX0231	827
TX0270	822
TX0320	822
TX0322	822
TX0370	826

Part Number	Page
TX0390	822
TX0400	822
TX0420	836
TX0440	828
TX0450	822
TX0470	825
TX0480	828
TX0500	823
TX0510	827
TX0520	836
TX0530	827
TX0570	828
TX0600	823
TX0610	823
TX0640	823
TX0650	823
TX0660	823
TX0691	836
TX0710	823
TX0830	836
TX0860	848
TX0880	823
TX0890	837
TX0920	828
TX0990	827
TX1000	837
TX1001	821
TX1003	823
TX1004	821
TX1005	823
TX1006	837
TX1007	837
TX1008	828
TX1009	355, 824
TX1011	825
TX1012	837
TX1020	828
TX1021	837
TX1022	828
TX1023	828
TX1024	828
TX1025	828
TX1027	824
TX1028	825
TX1030	825
TX1031	829
TX1032	829
TX1035	837
TX1036	827
TX1037	831
TX1038	824

Part Number	Page
TX1040	829
TX1042	835
TX1043	824
TX1044	843
TX1045	837
TX1046	837
TX1050	837
TX1066	838
TX1069	844
TX1070	833
TX1091	838
TX1136	835
TX1137	838
TX1138	844
TX1139	835
TX1140	835
TX1141	838
TX1142	838
TX1280	838
TX1311	838
TX1360	824
TX1380	824
TX1390	838
TX1480	848
TX1534A	824
TX1600	838
TX1640	838
TX1700	839
TX1730	839
TX1760	824
TX1790	839
TX1800	839
TX1880	839
TX1940	839
TX1950	839
TX2000	839
TX2060	839
TX2230	839
TX2370	840
TX2390	840
TX2400	840
TX2450	840
TX2520	840
TX2611	847, 848
TX2616	847, 848
TX2619	847, 848
TX2621	847, 848
TX2700	840
TX2719	835
TX2750	840
TX2940	840

Part Number	Page
TX3015	355, 829
TX3030	840
TX3050	840
TX3070	841
TX3105	841
TX3120	841
TX3180	841
TX3323	836
TX3700	841
TX4255	830
TX4264	830
TX4292	825
TX4389	821
TX4390	827
TX5000	831
TX5001	833
TX5002	834
TX5003	834
TX5006	831
TX5007	834
TX5009	834
TX5010	834
TX5011	841
TX5013	844
TX5014	844
TX5015	844
TX5016	845
TX5017	841
TX5018	834
TX5020	841
TX5021	841
TX5022	834
TX5023	844
TX5024	834
TX5026	844
TX5062	841
TX5102	843
TX5824	831
TX6068	826
TX6339	844
TX6400	843
TX6715	834
TX6730	826
TX6890	826
TX7497	834
TX7531	827
TX7631	827
TX7632	836
TX7633	842
TX7731	829
TX7733	829

Part Number	Page
TX8004	847
TX8133	848
TX8210	821
TX8219	848
TX8300	830
TX8310	830
TX8320	830
TX8380	830
TX8400	830
TX8719	831
TX8731	355, 824
TX8769	826
TX8771	821
TX8778	821
TX8779	821
TX8782	826
TX8784	826
TX8785	832
TX8882	835
TX9001	824
TX9009	831
TX9010	825
TX9011	832
TX9013	832
TX9015	830
TX9021	829
TX9030	825
TX9031	829
TX9041	830
TX9048	832
TX9060	842
TX9061	829
TX9070	842
TX9080	842
TX9091	825
TX9131	832
TX9215	842
TX9220	842
TX9240	842
TX9356	835
TX9401	842
TX9413	831
TX9414	832
TX9415	832
TX9421	835
TX9422	835
TX9431	832
TX9432	832
TX9433	832
TX9448	831
TX9449	833

Part Number	Page
TX9457	833
TX9492	833
TX9602	833
TX9603	843
TX9815	833
TX9819	833
TX9821	833
TX9910	825
TX9921	826
TX9942	842
TX9943	845
V	
VA1058VH	853
VA1059VH	853
VA1060VH	853
VA1062VH	854
VA1063VH	854
VA1064VH	854
VA1065VH	854
VA1066VH	854
VA1067VH	854
VA1068VH	854
VA1071VH	854
VA1165VH	853
VA1167VH	854
VA1168VH	854
VA1169VH	854
VA1170VH	854
VA1172VH	854
VA1173VH	853
VA4058VH	853
VA4059VH	854
VA4060VH	854
VA4062VH	854
VA4063VH	853
VA4066VH	854
VA4163VH	853
VA4166VH	853
VA4167VH	853
VA4168VH	854
VA4169VH	854
VA4170VH	854
VA4464VH	854
VA4465VH	854
VA4467VH	854
VA4471VH	854
VA5070VH	854
VA5071VH	854
VA6117VH	853
VA6155VH	853
VA6156VH	853

Part Number	Page
VA6157VH	853
VA6406VH	854
VA6416VH	853
VA9640VH	854
VS0002	794
VS0005	794
W	
WC0100	797
WC0200	797

Disclaimer



Disclaimer

This catalogue has been prepared specifically for customers of the publisher and as a general reference only. The information contained herein is subject to change without notice. This catalogue does not imply that any such parts are available for supply.

Parts of this publication have been prepared using information supplied by various trade organisations, publications and supplier catalogues. The publisher has taken care to ensure the accuracy of information in this catalogue. Customers are advised to confirm details contained herein and the suitability of the items of their specific needs. No representation or warranty is made or given regarding the ability to substitute one part for another.

The publisher and any party associated with the production of this catalogue do not accept any responsibility or liability whatsoever (to the extent permitted by law) for any inaccuracy, error, misinformation, or misleading statements, whether negligently caused or otherwise, contained in this publication.

This publication is protected by copyright and may not be reproduced or copied (using any method of reproduction or copying), lent, sold, transmitted, circulated or otherwise forwarded to third parties, in whole or in part, without prior written consent of the author. All trade marks, registered and product names appearing herein are the property of their respective owners.

www.cooldrive.com.au



CoolDrive
DISTRIBUTION



automotive air conditioning parts

Adelaide:

Tel: (08) 8440 7900
22 Pambula Street
Regency Park SA 5010

Alexandria:

Tel: (02) 9519 6922
Unit 1, 182-190 Euston Road
Alexandria NSW 2015

Brisbane:

Tel: (07) 3623 2133
60 Eagleview Place
Eagle Farm QLD 4009

Canberra:

Tel: (02) 6280 4755
10/145-147 Gladstone Street
Fyshwick ACT 2609

Darwin:

Tel: (08) 8944 3200
1 Howell Street
Berrimah NT 0828

Geelong:

Tel: (03) 5241 6888
13 Dendle Street
Grovedale VIC 3216

Hallam:

Tel: (03) 9796 3155
32 Melverton Drive
Hallam VIC 3803

Launceston:

Tel: (03) 6339 1800
3 Wilson Street
Launceston South TAS 7250

Melbourne:

Tel: (03) 9896 7333
22-28 Lexton Road
Box Hill VIC 3128

Newcastle:

Tel: (02) 4954 2500
60 Pendlebury Rd
Cardiff NSW 2285

Perth:

Tel: (08) 9347 8333
17 McDonald Crescent
Bassendean WA 6054

Rockhampton:

Tel: (07) 4923 7333
49 Derby Street
Rockhampton QLD 4700

Sydney:

Tel: (02) 8811 1288
Unit 4, 17 Stanton Road
Seven Hills NSW 2147

Thomastown:

Tel: (03) 9460 7300
F2, 6-8 Lucknow Crescent
Thomastown VIC 3074

Toowoomba:

Tel: (07) 4634 0566
19 Carroll Street
Wilsonton QLD 4350

Townsville:

Tel: (07) 4755 2111
5 Meenan Street
Garbutt QLD 4814