

Rear Lights



WELDEX
CORPORATION

WDRL-5001TSU

LED Tail / Stop & Direction Indicator

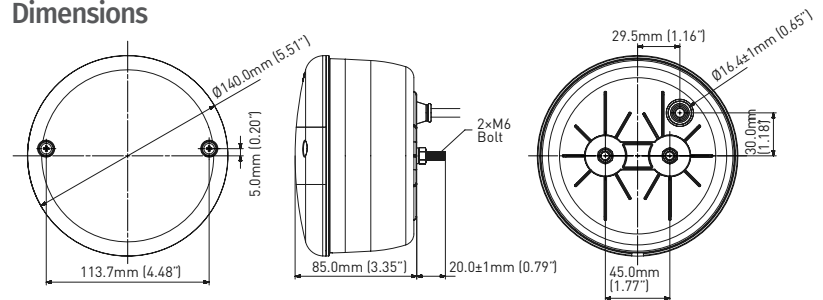


- ECE R6.01 direction lamp compliant
- ECE R7.02 stop / tail lamp compliant
- Single or dual light installation

Specification

Input voltage		Current draw			IP rating	Operating Temperature
DC 9~36V		Stop (0.18A @12V)	Tail (0.08A @12V)	Indicator (0.15A @12V)	IP69K	-40°C~+80°C
Wattage			Lifespan	Dimensions		
Stop (2.2W)	Tail (1W)	Indicator (1.8W)	50,000hrs	Ø140(W) * 85(D)mm		

Dimensions



WDRL-5003TSU

LED Tail / Stop & Direction Indicator

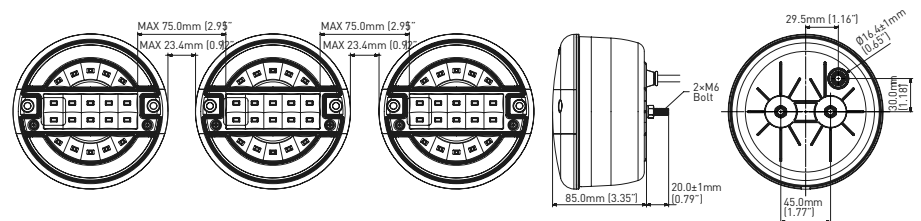


- ECE R6.01 direction lamp compliant
- ECE R7.02 stop / tail lamp compliant
- Triple light installation

Specification

Input voltage		Current draw			IP rating	Operating Temperature
DC 9~36V		Stop (0.18A @12V)	Tail (0.08A @12V)	Indicator (0.15A @12V)	IP69K	-40°C~+80°C
Wattage			Lifespan	Dimensions		
Stop (2.2W)	Tail (1W)	Indicator (1.8W)	50,000hrs	Ø140(W) * 85(D)mm		

Dimensions



WDRL-5002FG

LED Rear Fog Light

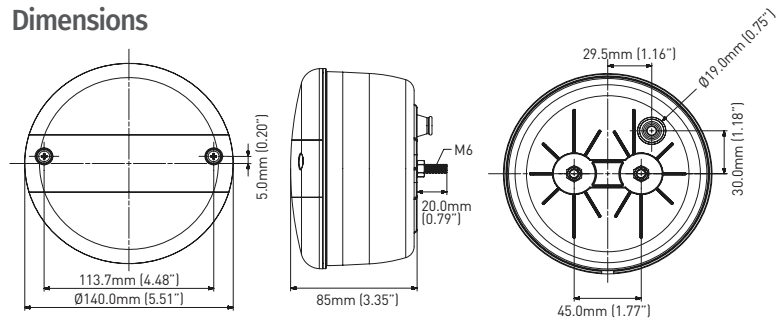


- ECE R38.00 rear fog lamp compliant

Specification

Input voltage	Current draw	IP rating	Operating Temperature
DC 9~36V	0.28A @12V	IP69K	-40°C~+80°C
Wattage	Lifespan	Dimensions	
3.4W	50,000hrs	Ø140(W) * 85(D)mm	

Dimensions



WDRL-5003BP

LED Reversing Light

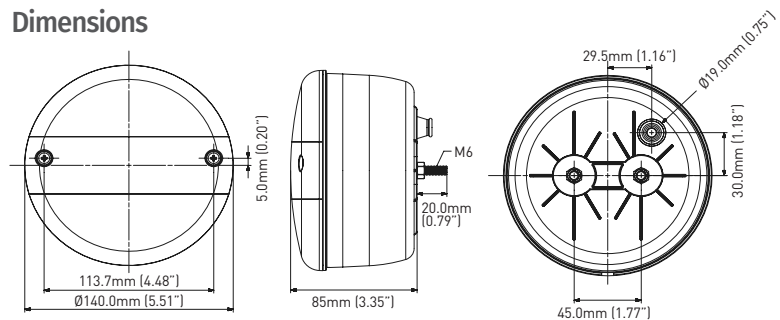


- ECE R23.00 reversing lamp compliant
- FMVSS 108 compliant

Specification

Input voltage	Current draw	IP rating	Operating temperature
DC 9~36V	0.14A @12V	IP69K	-40°C~+80°C
Wattage	Lifespan	Dimensions	
1.7W	50,000hrs	Ø140(W) * 85(D)mm	

Dimensions



WDRL-5004FBP

LED Rear Fog & Reversing Light

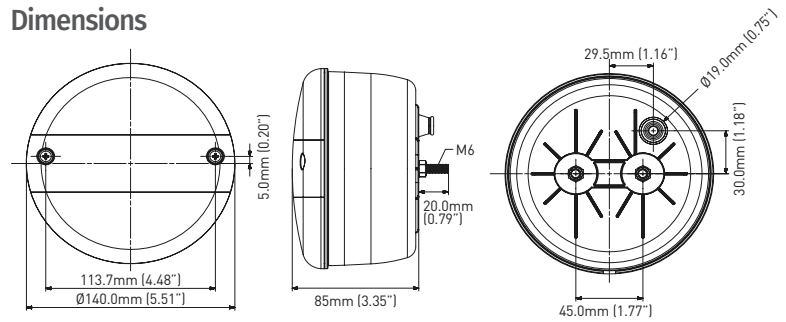


- ECE R19, R23 rear fog / back up lamp compliant
- FMVSS 108 compliant

Specification

Input voltage	Current draw		IP rating
DC 9~36V	Rear fog (0.9A @12V)	Reverse (0.13A @12V)	IP69K
Operating temperature	Wattage	Lifespan	Dimensions
-40°C~+80°C	Rear fog (10.8W) Reverse (1.5W)	50,000hrs	Ø140(W) * 85(D)mm

Dimensions



WDVB-2T4RS

LED 4" Rear Stop Light



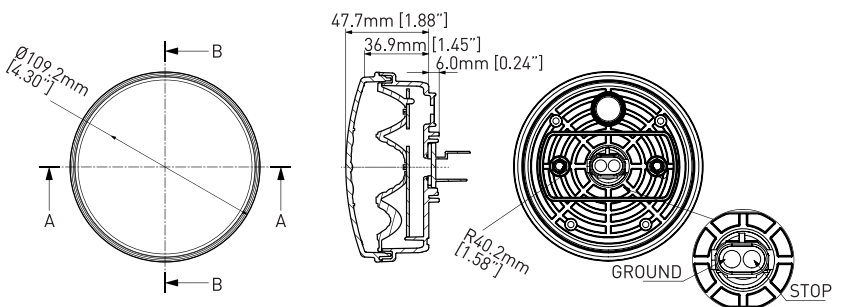
- 12x Red LED
- Impact resistant PC outer lens
- Reflector lamp
- FMVSS 108 compliant

Specification

Input voltage	Current draw	IP rating	
DC 9~36V	0.1A @12V	IP69K	
Operating temperature	Wattage	Lifespan	Dimensions
-40°C~+80°C	1.0W	50,000hrs	Ø109.2(W)*53.77(D)mm

Connector Reference DT : Deutsch / AM : AMP
DP : Delphi Packard

Dimensions



WDVB-1T4W6

LED 4" Direction Indicator



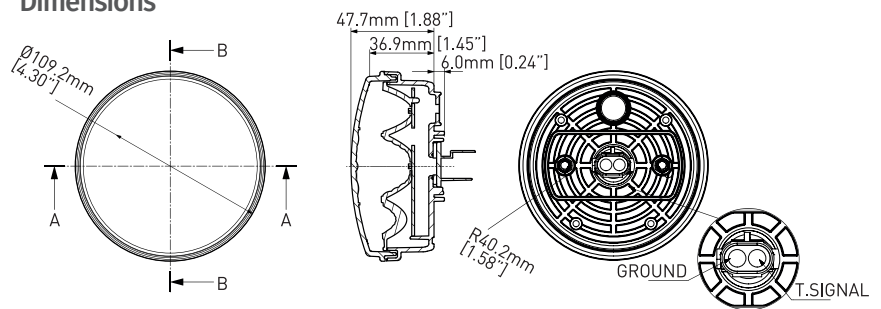
- 12x Amber LED
- Reflector lamp
- Impact resistant PC outer lens
- FMVSS 108 compliant

Specification

Input voltage	Current draw	IP rating	
DC 9~36V	0.4A @12V	IP69K	
Operating temperature	Wattage	Lifespan	Dimensions
-40°C~+80°C	5W	50,000hrs	Ø109.2(W)*53.77(D)mm

Connector Reference DT : Deutsch / AM : AMP
DP : Delphi Packard

Dimensions



WDVB-2T4RR

LED 4" Reversing Light



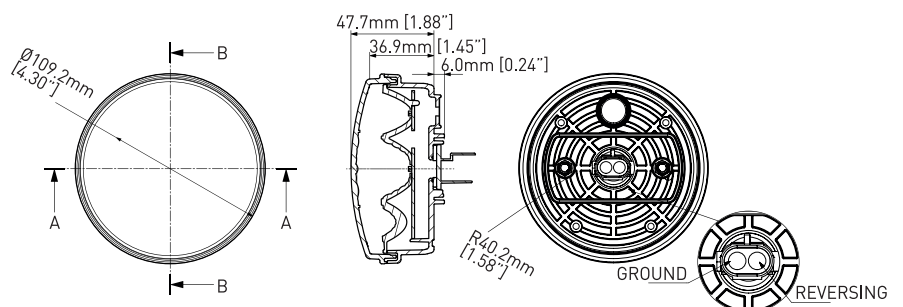
- 12x White LED
- Reflector lamp
- Impact resistant PC outer lens
- FMVSS 108 compliant

Specification

Input voltage	Current draw	IP rating	
DC 9~36V	0.5A @12V	IP69K	
Operating temperature	Wattage	Lifespan	Dimensions
-40°C~+80°C	6.5W	50,000hrs	Ø109.2(W)*53.77(D)mm

Connector Reference DT : Deutsch / AM : AMP
DP : Delphi Packard

Dimensions



WDVB-2T4RSI

LED 4" Rear Stop & Direction Indicator



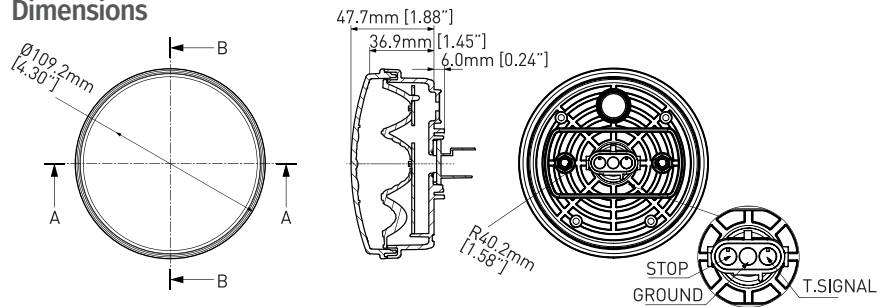
- 12x Red LED
- Reflector lamp
- Impact resistant PC outer lens
- FMVSS 108 compliant

Specification

Input voltage	Current draw		IP rating
DC 9~36V	Stop (0.1A @12V)	Indicator (0.1A @12V)	IP69K
Operating temperature	Wattage		Dimensions
-40°C~+80°C	Stop (1.0W)	Indicator (1.0W)	50,000hrs Ø109.2(W)*53.77(D)mm

Connector Reference DP : Delphi packard / 3 pin Built-in

Dimensions



WDVB-2T4TS-DT

LED 4" Stop & Tail Light



- 12x White LED
- Reflector lamp
- Impact resistant PC outer lens
- FMVSS 108 compliant

Specification

Input voltage	Current draw		IP rating
DC 9~36V	Stop (0.17A @12V)	Tail (0.012A @12V)	IP69K
Operating temperature	Wattage		Dimensions
-40°C~+80°C	Stop (2W)	Tail (0.1W)	50,000hrs Ø109.2(W)*53.77(D)mm

Connector Reference DT : Deutsch / 4 pin Built-in

Dimensions

