

MILAZZO INSTALLATION & FIXING GUIDE



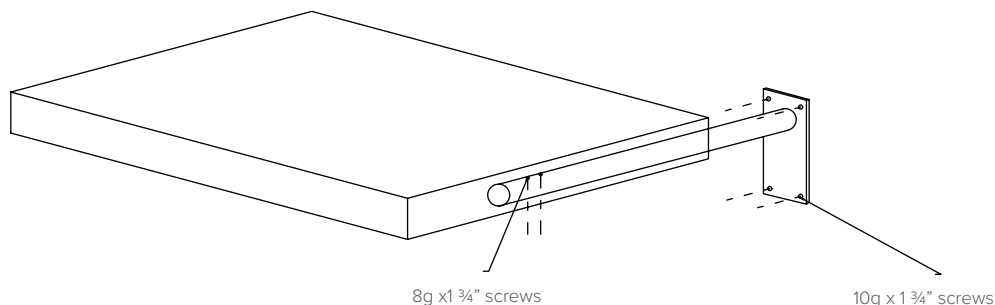
MILAZZO

MODULAR BATHROOM SYSTEM

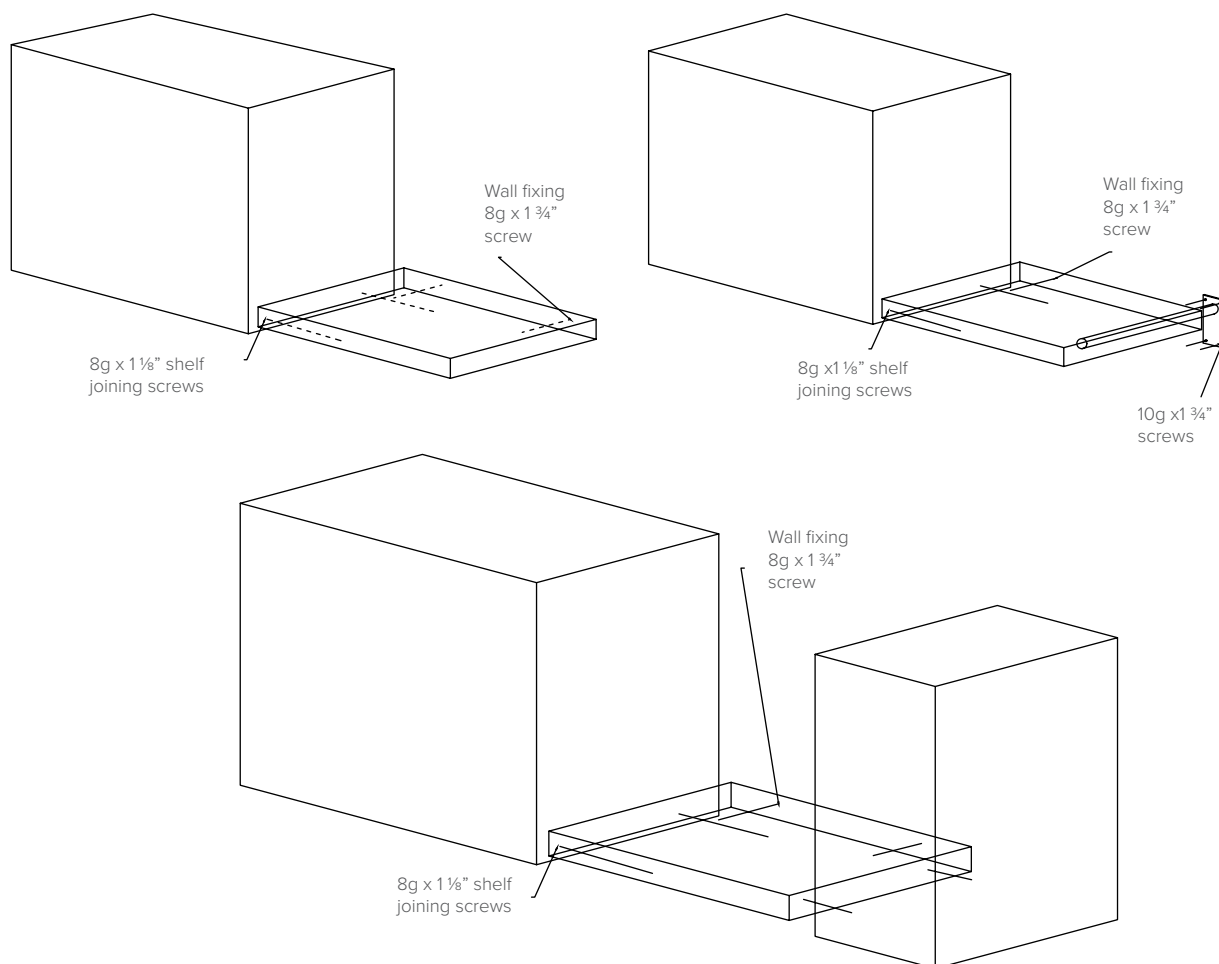
by Newtech

PREPARING TO INSTALL

1. Milazzo shelf and timber slab top brackets are to be fixed to a double stud at the pre-line stage of the build.



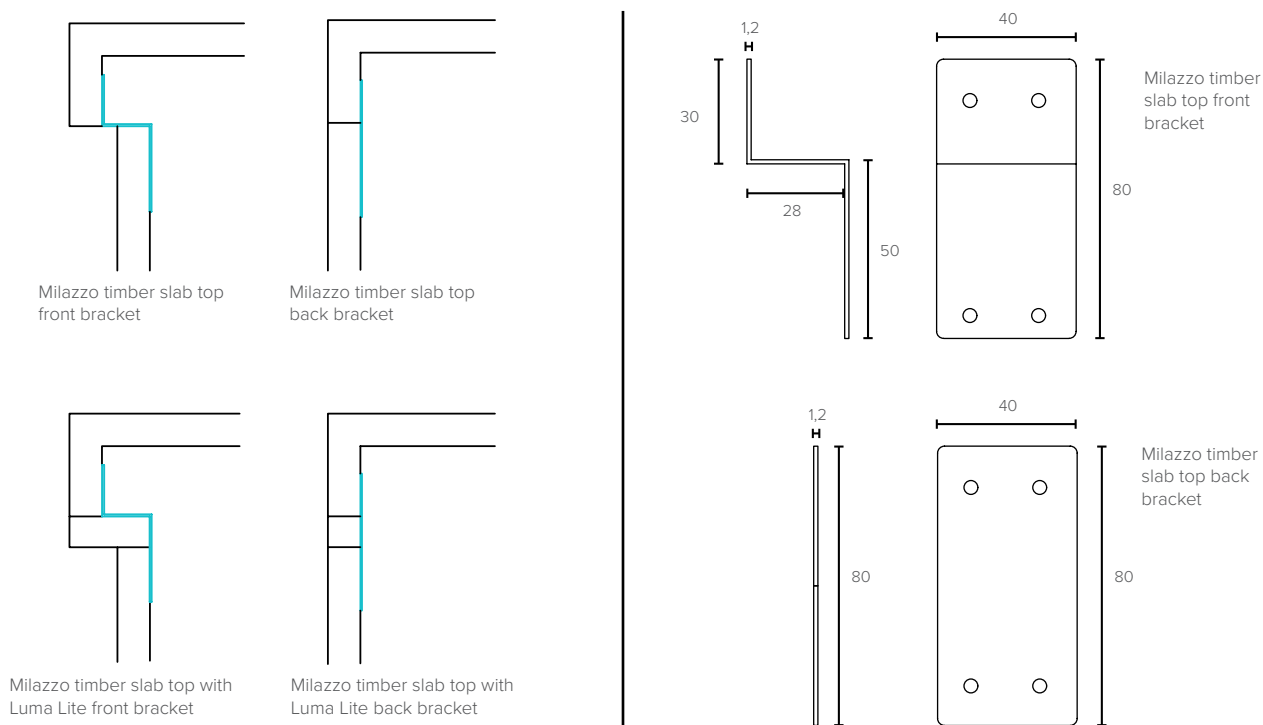
2. Shelf and timber slab top brackets are to be screwed to the wall with 10g x 1 3/4" screws and screwed to the shelf/ slab top with 8g x 1 1/4" screws.



→ Milazzo shelf and timber slab top brackets are to be used on spans larger than 500mm spaced at a max of every 500mm.

Important: Maximum timber slab top overhang without support is 300mm.

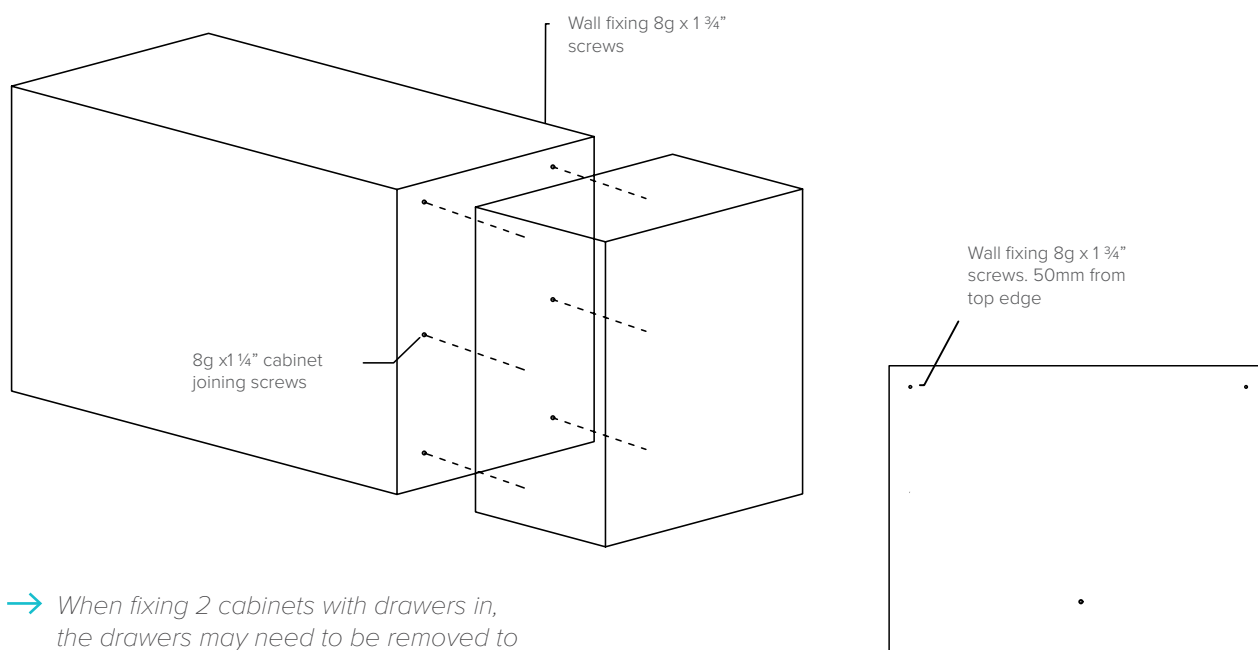
3. Timber slab top is to be fixed to cabinetry with front and back brackets.



Important: Maximum Quartz slab top overhang without support is 300mm.

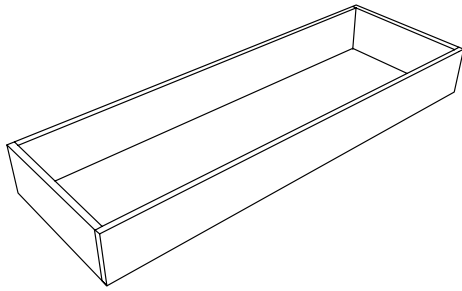
4. Quartz tops are to be fixed to cabinetry with silicone approximately every 300mm.

5. Cabinets are to be screwed together with 8g x 1 ¼” screws.

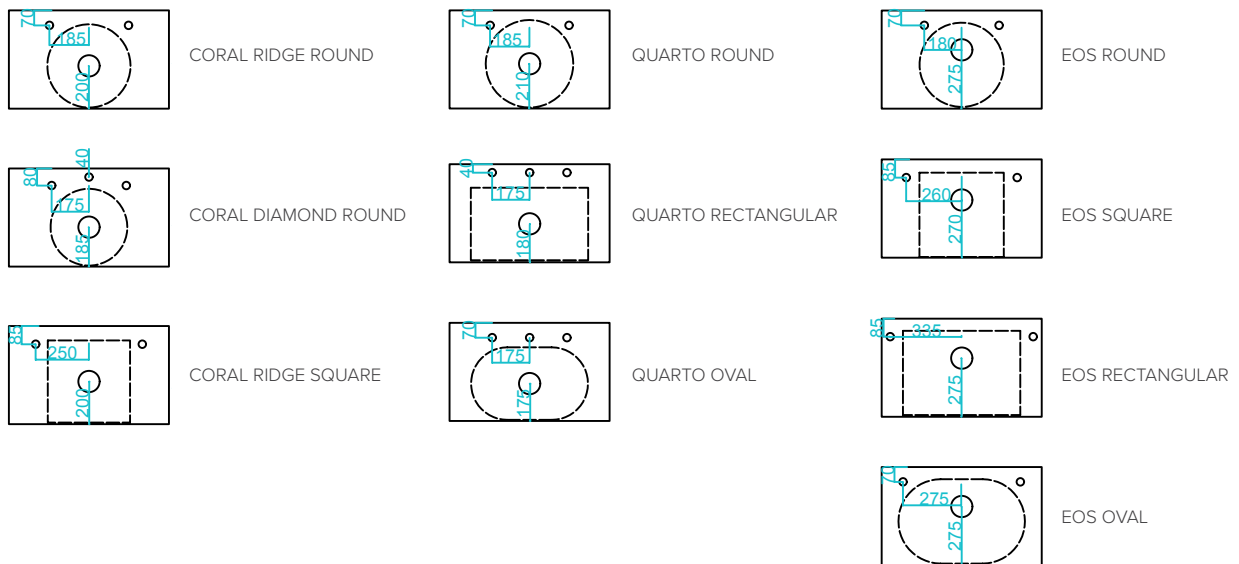


→ When fixing 2 cabinets with drawers in, the drawers may need to be removed to allow for easy screwing.

6. Toe kick plinth is to be connected to cabinetry with concealed angle brackets.



MILAZZO TAP HOLE CONFIGURATION



NOTE

- Cabinet configuration may affect plumbing options and layout for your basins.
- Some basin locations may not be possible with some cabinet configurations.
- Please consult with Newtech and your plumber to ensure your plumbing configuration is correct for your cabinetry configuration.

CONTACT AND WARRANTY INFORMATION

Newtech
 Phone: 0800 728 662
 sales@newtech.co.nz
 www.newtech.co.nz



For warranty information, please visit our website.