



# Laundry

COLLECTION by Newtech

## INSTALLATION INSTRUCTIONS PRODUCT CARE INFORMATION & WARRANTY

Preparation	2-3
Installation Instructions	4-7
Drawer Adjustments	8-9
Door Adjustments	10
Floating Shelves Installation	10
Newtech Warranty	11
Care & Maintenance	12



*Thank you for purchasing from our Laundry Collection.*

NEWTECH RECOMMENDS THAT A QUALIFIED TRADESPERSON INSTALL THIS PRODUCT AND THAT IT IS INSTALLED TO A **PROFESSIONAL STANDARD**.

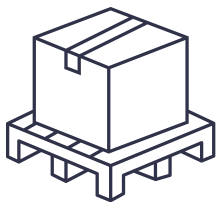
This product carries a full warranty against faulty **workmanship and materials**.

Please inspect for damage before installation. It is the responsibility of the installer to **make any adjustments** to doors/drawers after installation if required.

# Preparation - Prior to installation



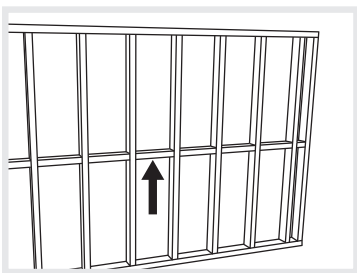
**IMPORTANT** - Newtech recommends that a qualified tradesperson install this product and that it is installed to a **professional standard**. This product carries a full warranty against faulty **workmanship and materials**. Please inspect for damage before installation. It is the responsibility of the installer to **make any adjustments** to doors/drawers after installation if required.



## 1. CHECK PRODUCTS FOR ANY DAMAGES

Please inspect all products thoroughly before installation to ensure that the products have not been damaged in transit, and that the products are correct. No claims for damage or incorrect items will be processed if installation has begun. We cannot cover warranty for removal or re-installation costs.

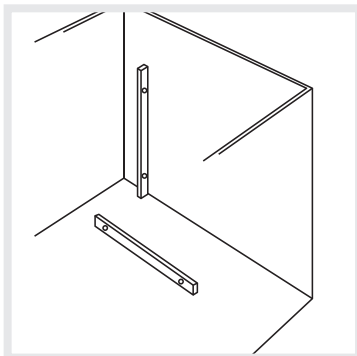
**All items damaged by freight must be reported within 24 hours**, otherwise a claim cannot be raised. A Goods Authority number must be obtained from the Newtech Customer Service Team on 0800 728 662 before any damaged product can be returned. This needs to be attached to the returned product.



## 2. CHECK SUPPORT BEAMS & NOGS

Locate your stud positions throughout the wall, take note of this so you are aware of these positions when you cover them up with the tall units. All units and cabinets require fixing to support noggs fitted between the studs, to give a solid wall backing.

All cabinets need to be attached to the wall using a minimum of 8 gauge 60mm screws if you have a stud wall. If your wall is brick or concrete you will need advice from your hardware specialists on the correct fixing methods.



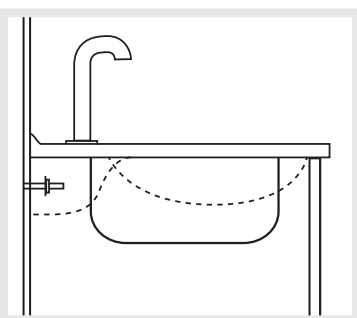
## 3. ENSURE WALLS ARE PLUMB AND FLOORS ARE LEVEL

Ensure the wall is straight and the floor is level. If you fix the product to a non-plumb wall or floor the following will happen:

- Your door or drawers will not operate correctly
- Door or drawer adjustments will not align.
- Basins will not sit level, which may cause water to pool or not drain correctly

If it is not possible to make the wall or floor plumb and straight you must pack the cabinetry out so that it does not follow the out of aligned wall. Floor standing cabinets must sit on a level floor or be packed to sit level and true.

**NOTE:** We recommend using cabinet connectors to join all adjoining floor and tall cabinets together and all adjoining wall cabinets together before fixing the cabinets to the wall. This will help with easier cabinet installation and overall levelling. Don't forget to adjust the feet on the floor cabinets for easy levelling.

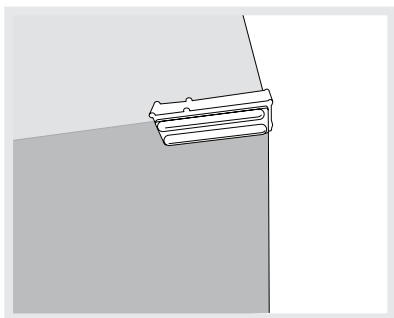


## 4. CHECK PLUMBING POSITIONS PROPERLY ALIGN

Measure and mark the cabinetry for the location of waste and hot/cold water supply. Drill from the inside of the cabinetry using the appropriately sized holesaw.

Note: If your product has any electrical fittings please allow for this and talk to your electrician.

# Preparation - Prior to installation



## 5. REMOVE THE CABINETRY FEET

For ease of installation, remove the white cabinetry feet that are attached to the corners of the cabinetry.

## Important Tips

- Your kickboard height is 150mm, keep this in mind when levelling your tall and floor cabinets.
- Eco Laundry Packages are supplied with a toekick and DO NOT have adjustable plastic feet. All Eco Laundries come fully assembled, except for the washer/dryer surrounds which are supplied as a flat pack. Eco Laundry Packages include: Matakana, Doubtful Sound, Castlepoint, Fiordland, Coronet Peak, Devonport, Piha and Cathedral Cove.
- Regularly check levels throughout installation.
- It is the responsibility of the installer to make any adjustments to doors and drawers after installation if required.
- Use the supplied cabinet connectors to join all adjoining floor and tall cabinets together and all adjoining wall cabinets together before fixing the cabinets to the wall. This will help with easier cabinet installation and overall levelling.
- Remove all doors and drawers whilst installing as it will be much easier and you will avoid damaging panels. No damages will be recognised after installation has begun.
- Avoid sliding and/or dragging cabinets - lift or use a trolley where possible.
- A licensed Plumber is required to install tapware.

## Installation Guide

### STEP 1

Complete your 'Preparation' checklist and identify which end to start your installation from. See below.

### STEP 2

Install your floor and tall cabinets. Use the cabinet connectors to join all adjoining cabinets together, level cabinets by adjusting the metal feet and then fasten to the wall. This includes washing machine & dryer surround, end panels/fillers where applicable. See page 5 for instructions.

### STEP 3

Install benchtop

### STEP 4

Install wall cabinets and end panels/fillers where applicable. Install splashback (if applicable). Refer to your splashback guidelines and install prior to completing your laundry.

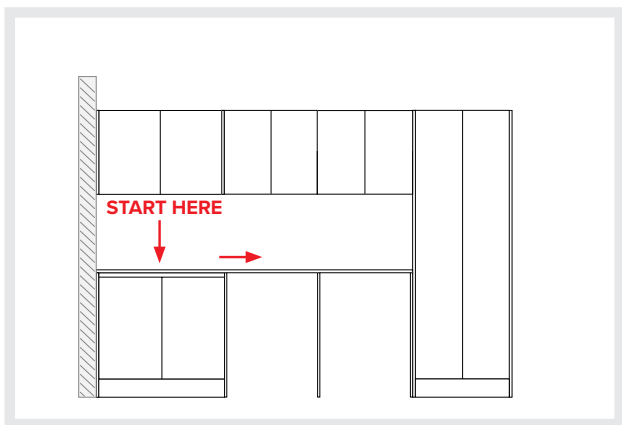
### STEP 5

Install kickboards (see page 8 for instructions).

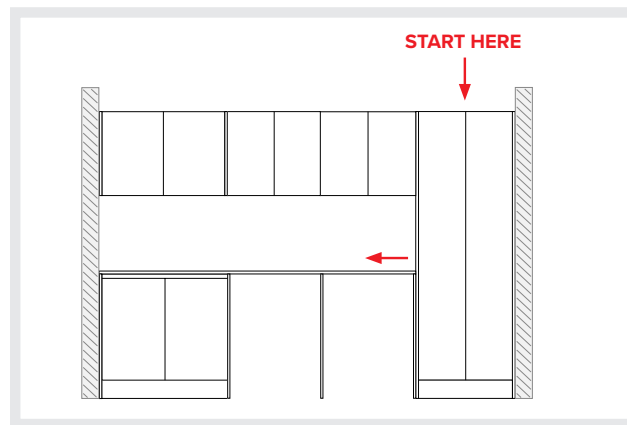
### EXTRAS

Install any extras (hanging rail, LED lights etc)

# 1. Start your laundry installation

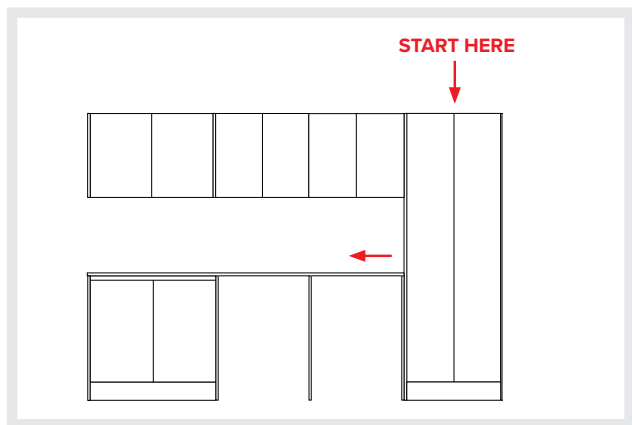


If your laundry is placed in a corner/against wall, start your installation here.



If your laundry is between walls, start the installation from the tall cabinet. If there is no tall cabinet, start from either side.

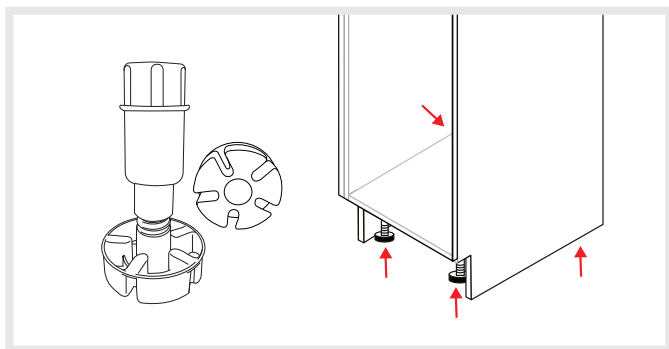
**Tip:** measure the total space first to ensure your fillers are even on either side.



If your laundry is not placed up against a wall start the installation from the tall cabinet. If there is no tall cabinet, start from either side.

# 2. Tall & Floor Cabinetry Installation

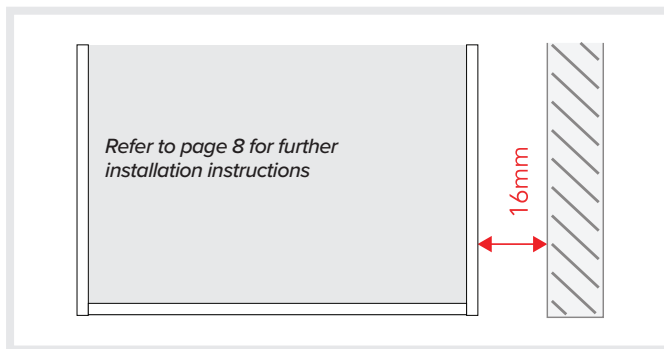
## NOTE: ATTACH PLASTIC ADJUSTABLE FEET



Attach the plastic adjustable feet (supplied) to your cabinet. Fasten the feet to the bottom of the cabinet through the pre-drilled holes - 2 at the front and 2 at the back.

**Note** - Eco Laundry Packages are supplied with a toe kick and **DO NOT** have adjustable plastic feet. Eco Laundry Packages include: Matakana, Doubtful Sound, Castlepoint, Fiordland, Coronet Peak, Devonport, Piha and Cathedral Cove.

## 1. MEASURE & POSITION



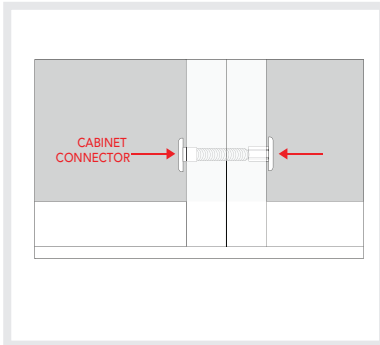
Measure and place cabinets in position. If against a wall - Place cabinet 16mm away from your starting wall (to allow for the end or filler strip).

**Note** - If going in between walls, your filler gaps should be evenly spaced. If this filler gap is larger than 16mm, use the end panel face side.



## 2. Tall & Floor Cabinetry Installation continued ...

### 2. JOIN TALL CABINETS TOGETHER



If you have two or more adjoining tall/floor cabinets you will need to join these together.

1. Place cabinet in position next to the first cabinet.
2. Using cabinet connectors (supplied) join the cabinets together through each of the pre-drilled holes.
3. Be sure to install end panels, and washing machine surround if required (see page 8 for assembly instructions).

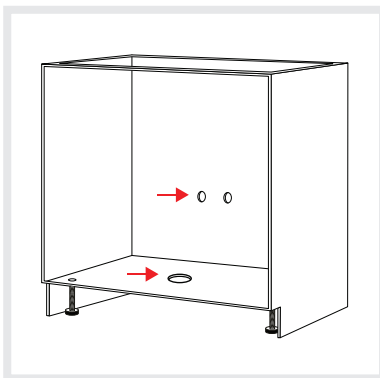
### 3. LEVEL & ADJUST



Check cabinets are level in all directions and adjust if needed. Use the supplied allen key to adjust plastic feet - insert through top of base panel in cabinet into the legs. Turn to lift or lower legs until cabinet(s) are level in all directions.

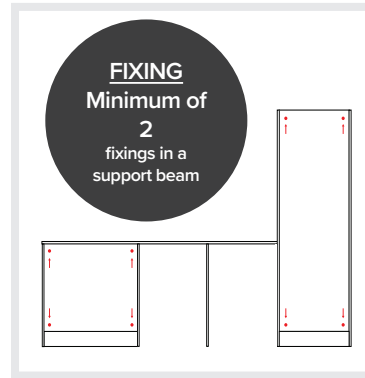
Keep in mind the kickboard is 150mm high so don't go too low or high.

### 4. LOCATE PLUMBING & DRILL HOLES



Locate plumbing and drill appropriate sized hole in base and back panel of cabinet for plumbing services.

### 5. FASTEN CABINETS TO WALL

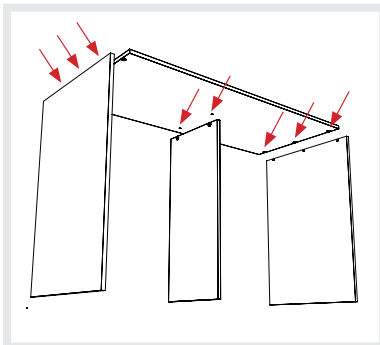


Once all cabinets are level and adjoined, fasten to wall.

1. Mark stud positions.
2. Pre-drill through back of cabinet into stud using a 5mm drill.
3. Fasten cabinet to back of wall with appropriate screws/bolts. It is recommended to fasten at the top and bottom of the cabinet.

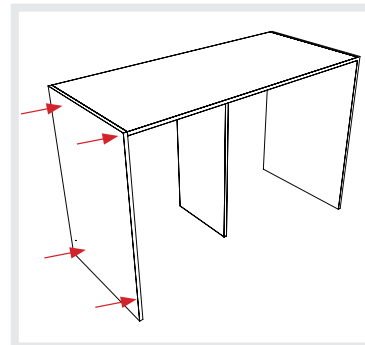
Note: Where a stud or support beam cannot be located, use an appropriately sized hollow wall anchor. Cabinet must attach to a minimum of 1 stud with 2 fixings.

### 6. ASSEMBLE WASHING MACHINE SURROUND



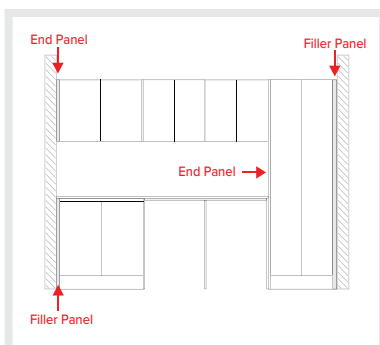
The Washing Machine and Dryer surround will come flatpacked. Assemble using the cam-locks provided by joining side panels to top panel. Join middle support panel if applicable (double surrounds only).

### 7. POSITION AND FASTEN



Once assembled, position next to floor/tall cabinet and fasten with 28mm Hospa screw (provided) to adjoining cabinets.

### 8. INSTALL FILLER / END PANELS



Install filler and/or end panel(s) throughout installation where applicable. See page 8 for instructions.

**FINISHING TOUCHES**  
Use the cover caps provided to cover the screw holes.

## 3. Benchtop Installation



Your benchtop will have a tolerance of  $\pm 2\text{mm}$  of the measurement that was supplied to Newtech at time of ordering.

Apply non-acidic silicone to top edges of floor cabinets. With the help of someone else, lift benchtop in place. Ensure the top has overhang (where needed) and is level. Seal all edges with a non-acidic silicone.

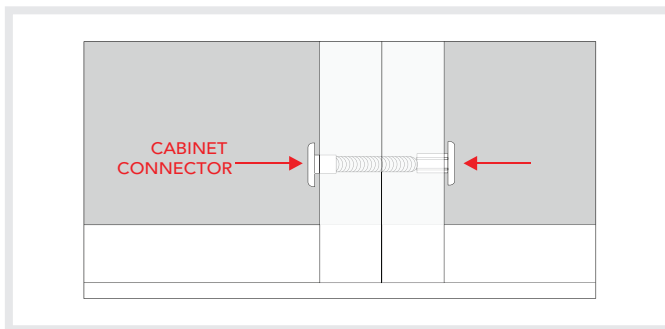
**Note:** Allow to set for 24hrs before continuing

**A LICENSED PLUMBER IS TO INSTALL PLUMBING & TAPWARE**

## 4. Wall Cabinetry Installation

**Note:** If you have ordered open shelves, these will already be joined to your wall cabinets

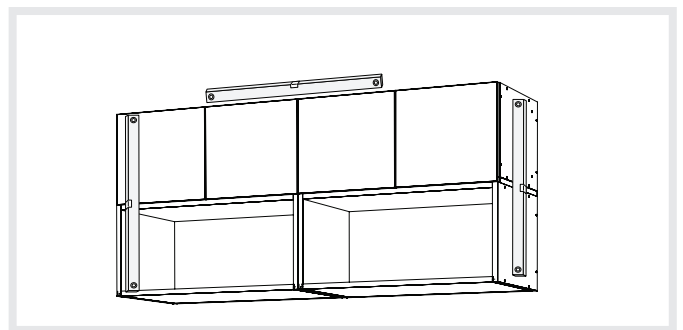
### 1. JOIN CABINETS TOGETHER



If you have two or more adjoining wall cabinets you will need to join these together before fastening to the wall.

1. Place adjoining cabinets together.
2. Using cabinet connectors (supplied) join the cabinets together through each of the pre-drilled holes.

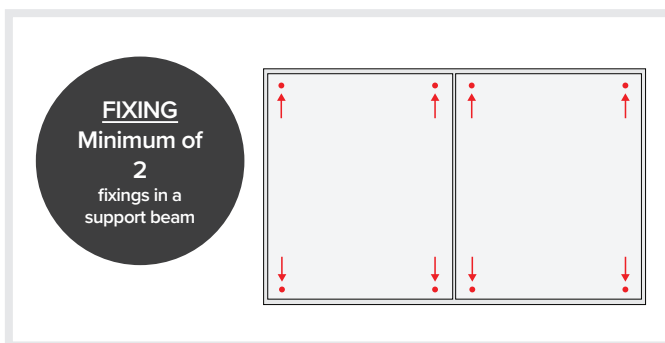
### 2. POSITION AND LEVEL



1. With the help of someone else, lift wall cabinets and place in position. You may want to use cabinet stands to help.
2. Check levels.

**Note -** If going in between walls, your filler gaps should be evenly spaced. If this filler gap is larger than 16mm, use the end panel face side.

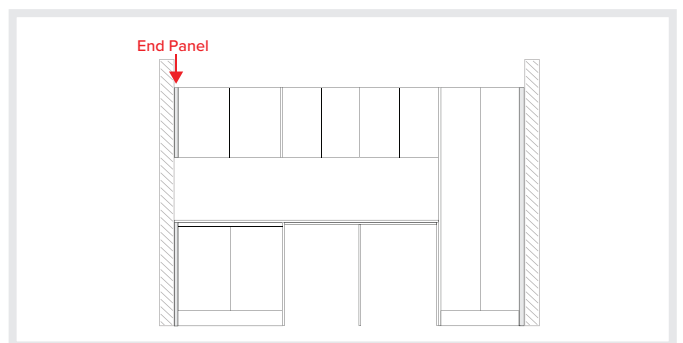
### 3. FASTEN CABINETS TO THE WALL



1. Mark stud positions.
2. With 5mm drill bit, pre-drill through back of cabinet into stud.
3. Fasten cabinet to back of wall with appropriate screws/ bolts. It is recommended to fasten at the top and bottom of the cabinet.

**Note:** Where a stud or support beam cannot be located, use an appropriately sized hollow wall anchor. Cabinet must attach to a minimum of one support beam with two fixings.

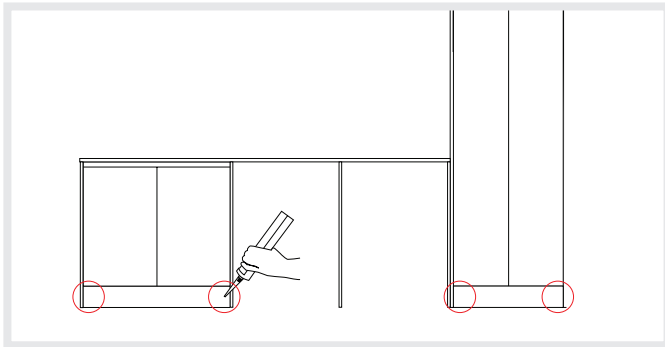
### NOTE: END PANELS



Install end panel(s) throughout installation where applicable. See page 8 for instructions. Finishing touches: use the cover caps provided to cover the screw holes.

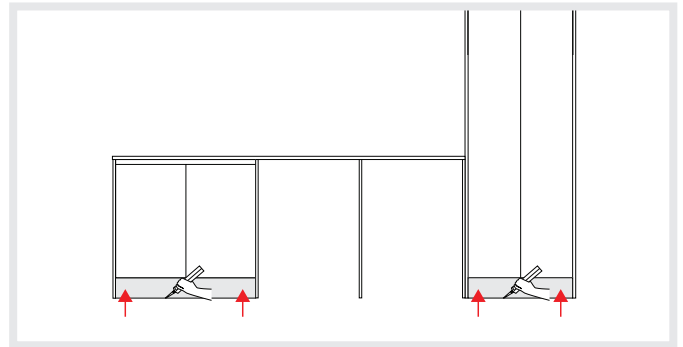
# 5. Kickboard Installation

## 1. SILICONE CARCASS ENDS



Apply non-acidic silicone to face of carcass ends (where the kickboard will be placed).

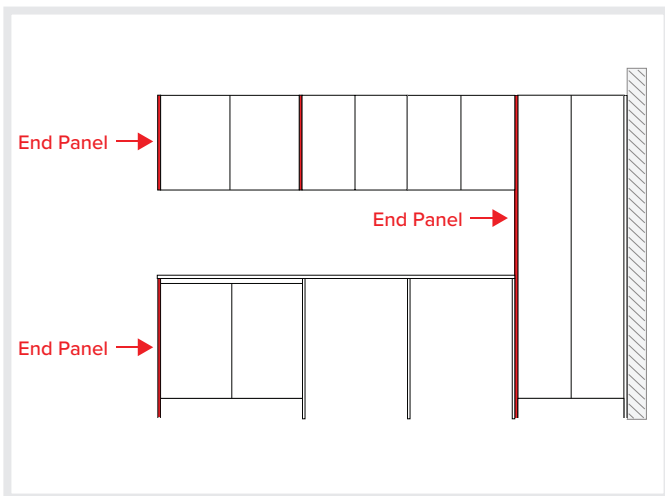
## 2. SECURE KICKBOARD



1. Push kickboard firmly in place.
2. Seal kickboard at bottom edge with silicon, to prevent water penetration from occurring. Allow to set for 24hrs.

*Note: You may need to plane some material off the kickboard to fit if your floor is uneven.*

# TIPS - End Panel & Filler Panels

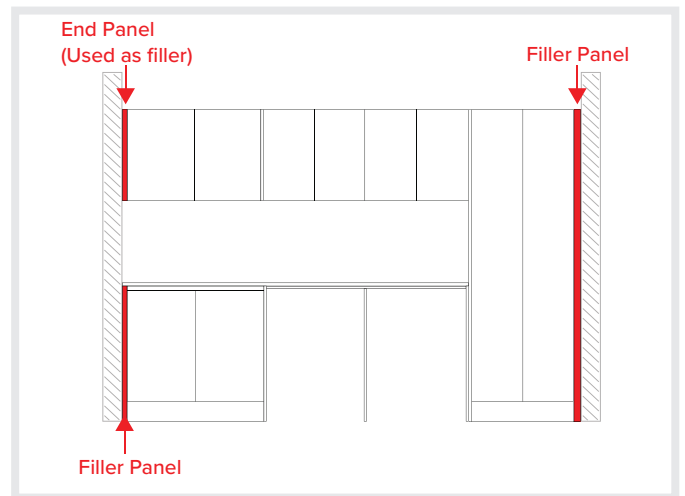


### End Panels:

1. Once cabinets are in place and level, attach your end panels to any exposed cabinet ends (use a filler panel if going between cabinet and wall).
2. Hold end panel in place with clamps.
3. Use screws to screw into the pre-drilled holes (make sure you get the front and back holes).

### Note

- Ensure all pre-drilled holes are used
- Be mindful to allow extra for push to open doors



### Filler Panels:

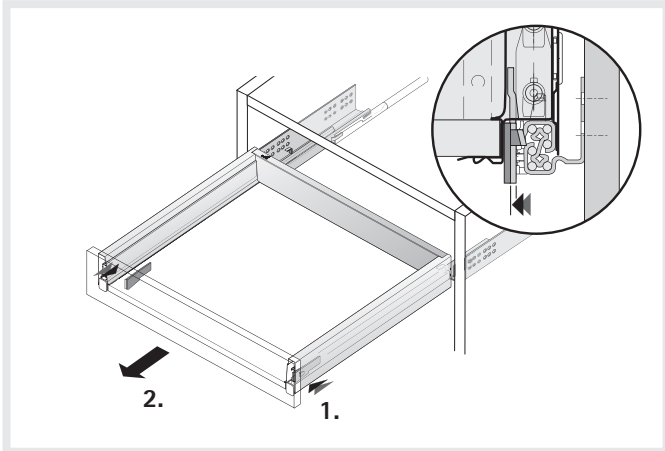
1. Between the cabinet and wall, set filler strip.
2. Your filler panel is 100mm x 16mm, so you may need to plane the filler panel to fit/fill depending how big the gap is or due to walls not being plumb.
3. Using supplied screws, secure filler panel through the pre-drilled holes inside the cabinet.

### Note

- Ensure all pre-drilled holes are used
- Be mindful to allow extra for push to open doors

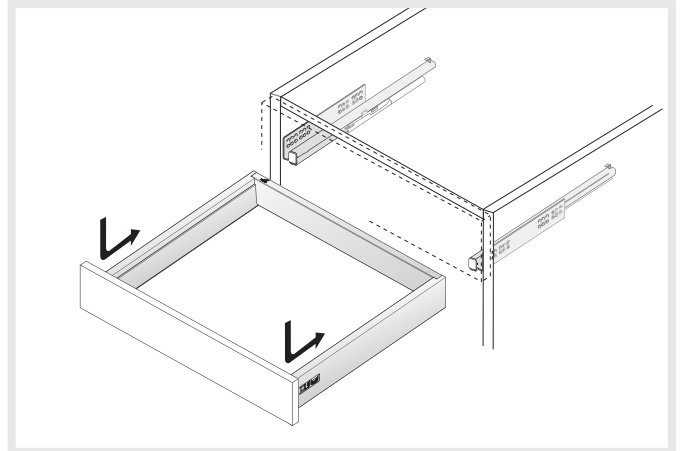
# Drawer Runner Adjustments

## DRAWER REMOVAL



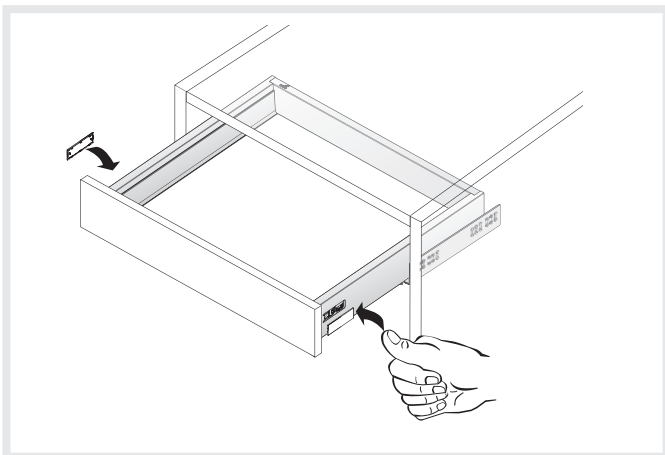
Open the drawer fully. Press the grey levers inwards located underneath the drawer and pull the drawer forward with both hands.

## INSERTING DRAWERS



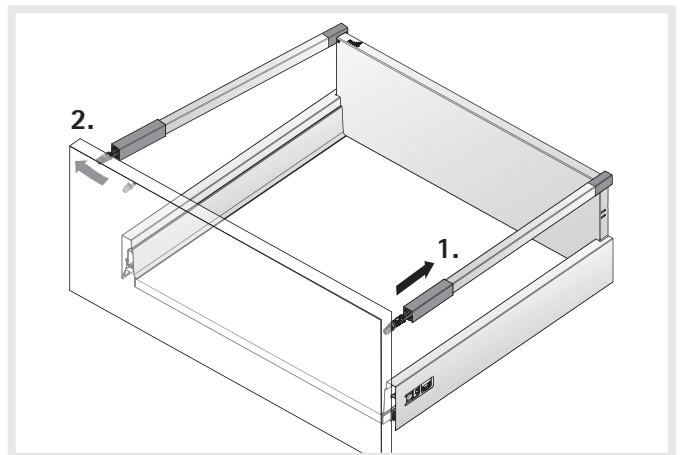
With the drawer runners fully retracted, place the drawer back onto the runners, push closed and listen for a double click and push close.

## INSTALLING & REMOVING COVER CAP



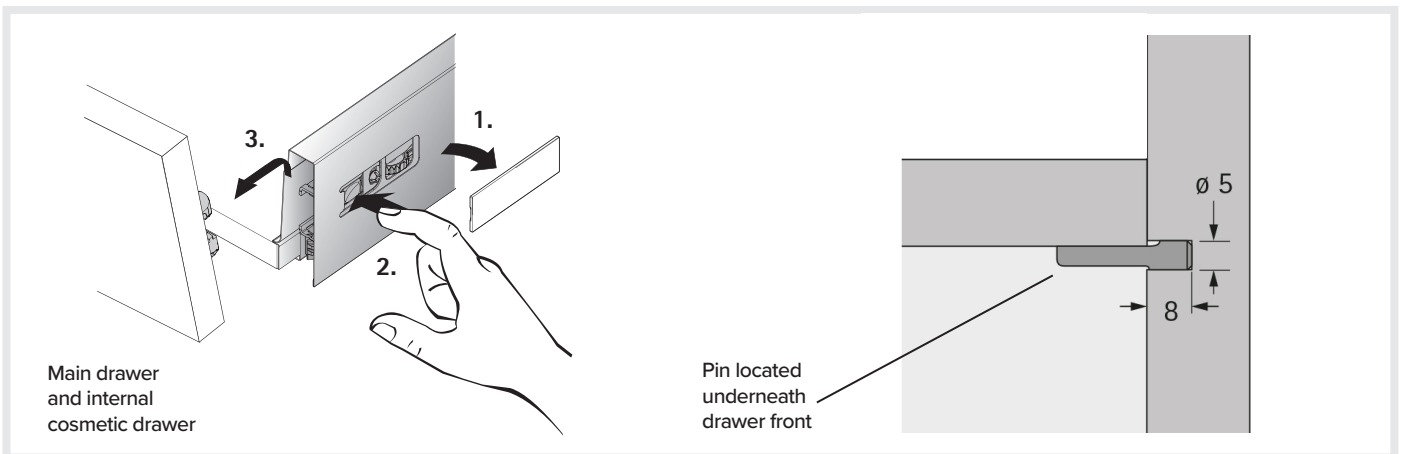
Extend the drawer out and either pull the cap off or push back on.

## REMOVING GALLERY RAILS



To remove the gallery rails, slide the white tabs (1) towards the back of the drawer, the gallery rail will lift out from the front connector.

## REMOVING DRAWER FRONT



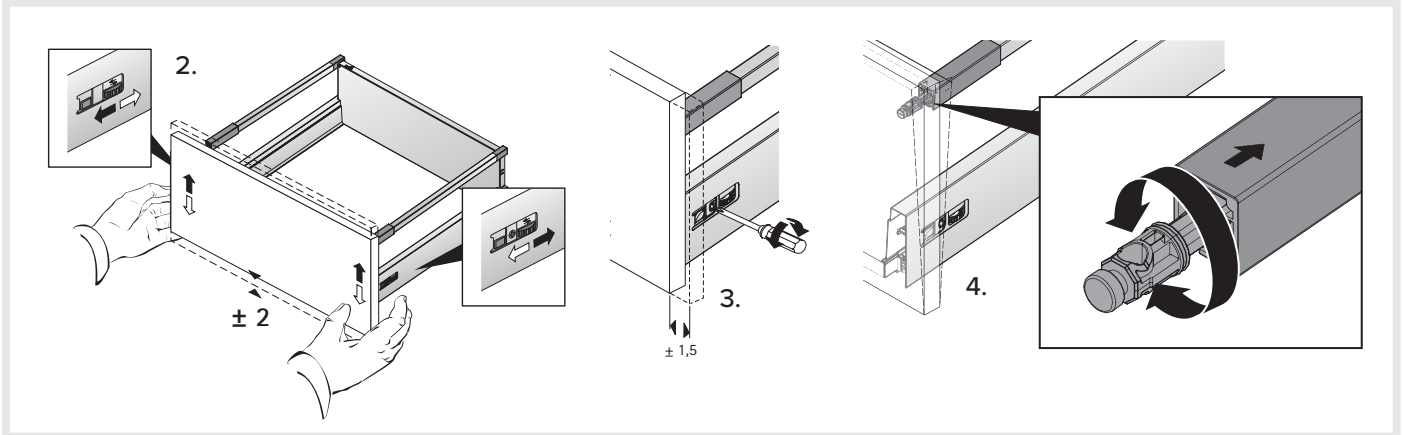
To remove the front panel extend the drawer and remove the cover cap. Disconnect the gallery rails and remove the pin located underneath the drawer front. The pin is removed by pressing lightly on the base of the drawer. Once removed, push the blue button, then the drawer front can be released and lifted out.

**NOTE:** The drawer runner adjustments apply to all cabinetry drawers excluding the Hamper Drawer.



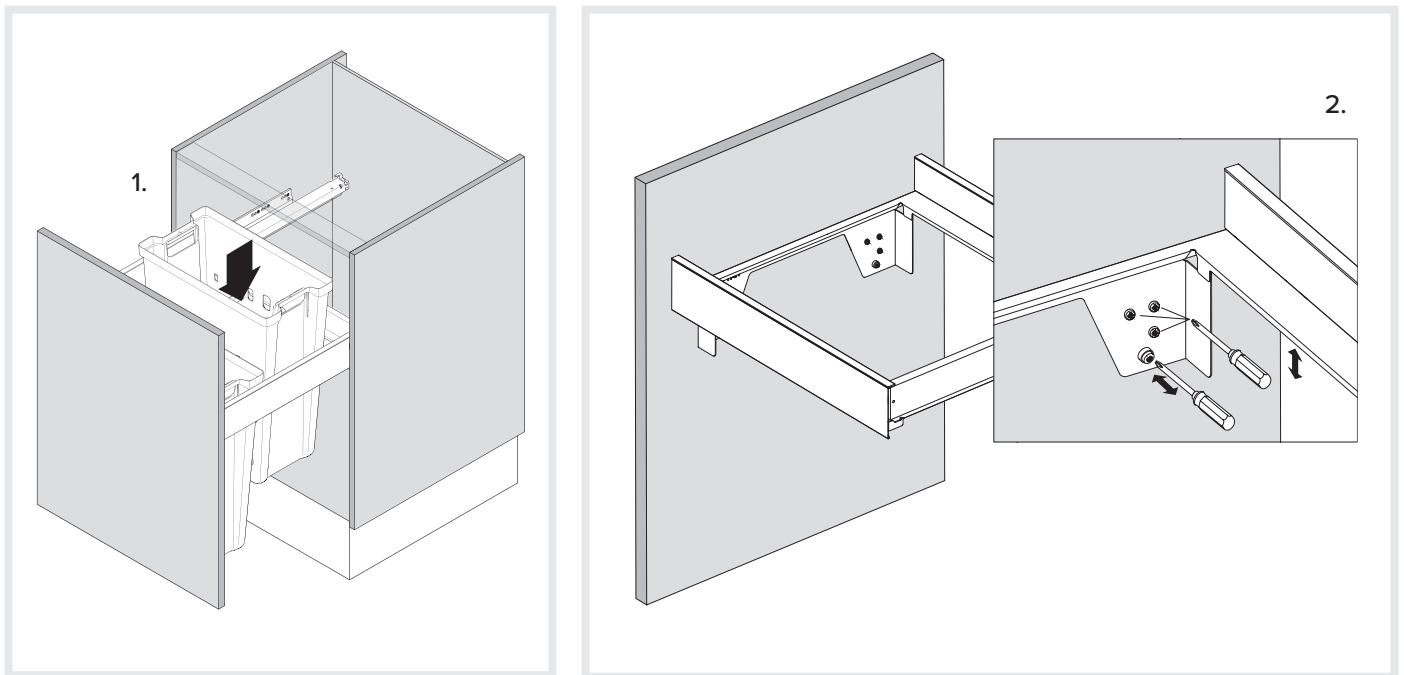
# Drawer Runner Adjustments continued ...

## ADJUSTING FRONT PANELS (DRAWER FRONTS)



1. Remove the plastic covers on the side. 2. To make adjustments up or down use the little cogged wheels to turn each side as above. 3. To make adjustments left and right use a screwdriver to adjust the screw on the right hand drawer side as above. 4. To make adjustments in and out slide the square gallery rail cover back and use a screwdriver to turn the gallery rail adjuster as above.

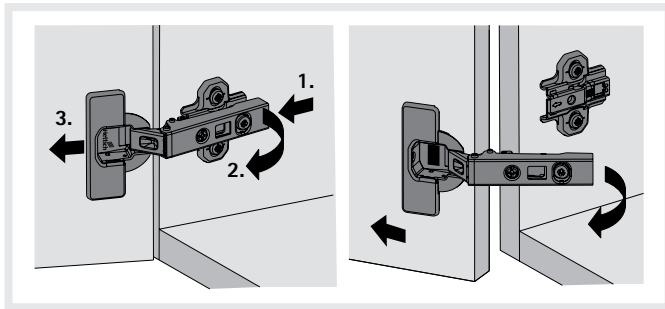
# Laundry Hamper Drawer Adjustments



To adjust the Hamper Drawer, locate the three screws (see picture 2), and loosen to unlock drawer front. Locate the plastic screw to alter the tilt adjustment.

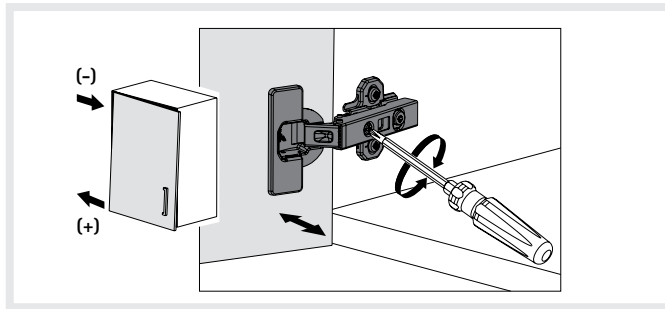
# Door Hinge Adjustments

## DOOR REMOVAL



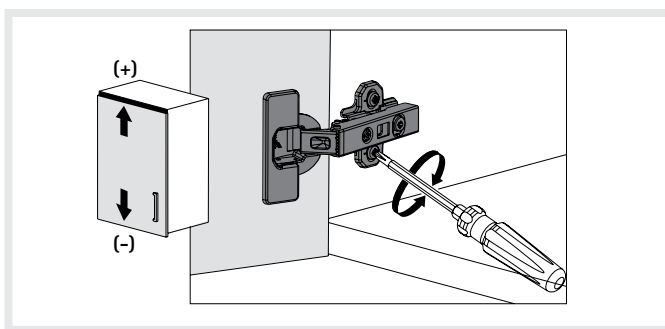
To remove the door hinge lift the catch at back of hinge (1), lift body off hinge plate (2) and slide body of hinge forward (3).

## HORIZONTAL ADJUSTMENT



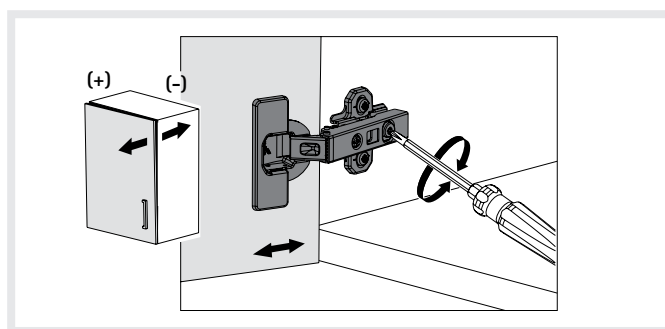
To adjust the door horizontally, using a screwdriver (as pictured) turning clockwise or anti-clockwise until alignment is straight.

## HEIGHT ADJUSTMENT



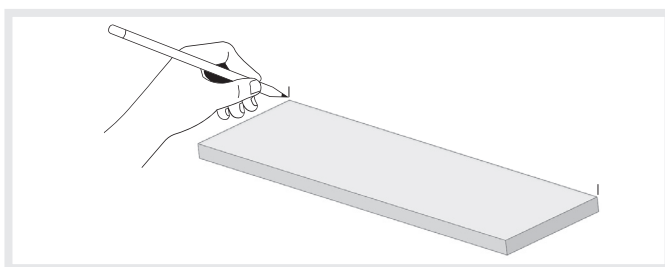
To adjust the height of the door release both hinge plate retaining screws (anti-clockwise), slide hinge plate up or down to correct position and tighten hinge plate retaining screws.

## DEPTH ADJUSTMENT

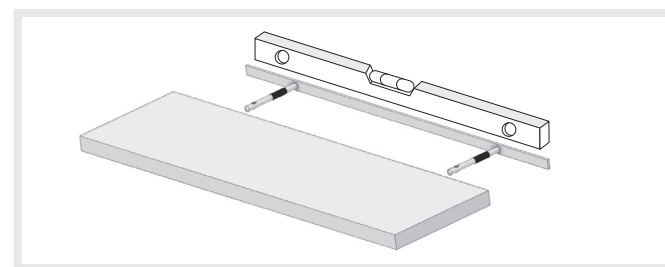


To adjust the gap between the cabinet and door, using a screwdriver (as pictured) turning clockwise or anti-clockwise until alignment is straight.

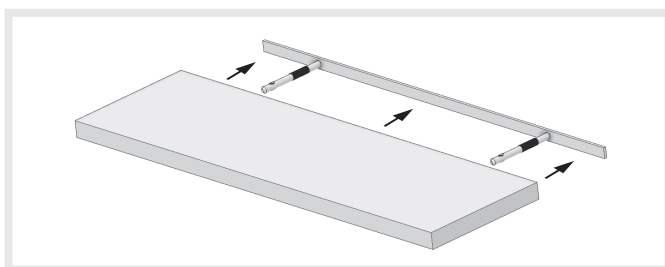
# Floating Shelves



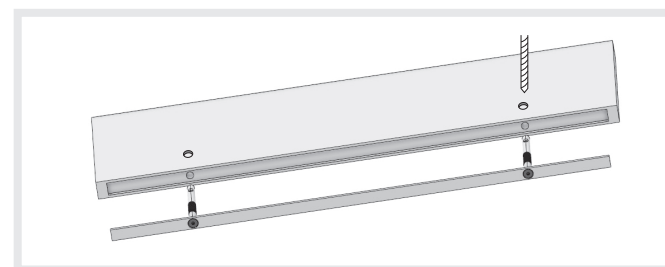
To install the wall hung floating shelf firstly locate the position where you want the shelf to hang and mark the position on the wall. Use a stud finder to locate and mark the wall studs. If the studs don't line up where you want them to be you can use Wallmates, which can go straight into plasterboard and provide a solid anchor point where a regular screw will tear out.



While holding the bracket on the wall, along with a spirit level check that the bracket is straight and mark your drill holes. Drill holes and insert the screws or Wallmates (along with screw in the middle).



Once the bracket is fixed to the wall with all screws, simply take your shelf (making sure the holes are on the bottom) and slide into the fixed wall bracket.



The final step is to take two short screws and screw them through the holes under the shelf into the bracket to stop any movement.

*Note: 700mm shelf is supplied with concealed shelf brackets with a load rating of 6kgs. 1300mm shelf is supplied with concealed shelf brackets with a Load Rating of 9kgs.*

# Warranty

This extended warranty only covers Newtech Laundry products, and will not extend to products which have been selected outside our product range. This extended warranty only applies to defects which have arisen solely from faulty materials or workmanship in the products and does not apply to other defects which may have arisen as a result of, without limitation, the following: accidental damage, abuse, misuse, maltreatment, abnormal stress or strain, harsh or adverse weather conditions, including excessive water pressure or temperature, or neglect of any kind.

As per the Building Code Compliance documentation, the maximum temperature sanitary wear can be subjected to is 55°C. Any warranty assessment where the temperature of water for sanitary wear is above 55°C will be declined. The tempering valve must be subject to and comply with NZS4617 or AS1357.

Newtech Laundry products installed in light commercial and or commercial situations are void of the residential warranty and covered for 12 months from date of purchase. Commercial situations are defined as public washrooms, public buildings, schools, sports centres, gymnasiums, hospitals, motels, hotels and retirement villages.

Alterations and repairs of the products performed by someone other than a Newtech pre-approved service person are not covered. For the avoidance of doubt, attachment of accessories or use of non-genuine replacement parts other than those manufactured or approved by Newtech are not covered by this extended warranty.

This extended warranty commences from date of purchase or for new buildings on the date of handover for the relevant period set out in the warranty periods table.

In addition to this extended warranty, certain legislation may give you certain rights which cannot be excluded, restricted or modified. This extended warranty must be read subject to NZ laws, and nothing in this warranty has the effect of excluding, restricting or modifying those rights. Newtech warranty periods are dependent on date of purchase and may be different to what is stated in this publication.

## WARRANTY CLAIMS

To make a warranty claim, the following documentation must be emailed or faxed to Newtech (contact details listed below):

- Name/model of product and photographs of the issue (if available)
- Proof of installation (by a licensed plumber) and/or proof of purchase
- Your contact details: name, address and contact phone number
- A copy of handover documentation is required for new homes

Consequential loss to the extent permitted by law; Newtech will not be liable for any loss or damage to furniture, floor coverings, walls, fixtures or any other consequential loss of any kind caused by any defect in the products or components.

Warranty Certificate or equivalent documentation must be supplied for warranty claims to be considered. If the cost of returning any defective parts is unreasonable, please contact Newtech on the telephone number listed below so that, if appropriate, we can arrange a collection. Newtech Bathroomware contact details are as follows:

### Newtech Bathroomware

**Head Office** 281 Heads Road, Wanganui 4501

**Auckland Office** 525 Great South Road, Penrose, Auckland

**Phone** 06 349 0194 / 0800 728 662

**Email** sales@newtech.co.nz

## Warranty for Newtech Laundry products are as follows:

PRODUCT	RESIDENTIAL	COMMERCIAL
Wall and Floor Cabinets, Tall Cabinets, Panels	5 years	1 year
Soft Close Drawer Runners	5 years	1 year
Cupboard Drawer Hinges	5 years	1 year
Quartz Benchtops	5 years	1 year
Handles	5 years	1 year
Stainless Steel Sink	5 years	1 year
Drying Rack	5 years	1 year
Sink Mixers	10 years	1 year
Hettich Drawer Runners & Door Hinges	Lifetime Warranty	Lifetime Warranty

# Care & Maintenance

## TIPS

- Newtech products are produced from materials that are well suited to the laundry environment, however it is important that your laundry has sufficient ventilation to avoid excessive moisture due to water sources.
- High humidity will lead to permanent dampness and mould, resulting in deterioration of the materials.
- Care must always be taken to dry any excessive moisture or water spillage.

---

## CABINETS

- To maintain the finish on your cabinetry use only a soft cloth and weak solution of non abrasive detergent.
- To remove scratches, marks, etc. on two pack polyurethane, rub gently with car cutting compound, car polish or household brass/silver cleaner.
- Goods used in construction are water/moisture-resistant, but not water-proof

---

## QUARTZ SLAB TOPS

- Wipe Your Quartz benchtop with mild dish soap and a soft rag. Take a soft cloth or sponge and dip it in a warm water and soap mix. Take the sponge and begin to gently but firmly wipe down the quartz tops. Wipe them down as often as you need.

---

## STAINLESS STEEL SINKS

- Rinse sink with water after use and wipe dry with soft cloth.
- For stubborn stains, we recommend a mild non-scratch cleaner such as a vinegar-based cleaner with a non-abrasive sponge, then rinse well. Clean often to avoid limescale building up.
- DO NOT use steel wool to clean the sink, this will scratch the surface.
- AVOID strong bleaches, silver dip cleaners and aggressive chemicals such as denture cleanser and photo developing liquids. If it occurs, rinse thoroughly and wipe it dry quickly.
- AVOID leaving citrus fruit juice, salt, vinegar, mustard, pickles and mayonnaise on your surface for prolonged periods. These foods can cause pitting and corrosion.

### Head Office:

281 Heads Road, Wanganui  
sales@newtech.co.nz  
06 349 0194 or 0800 728 662

### Auckland Concept Showroom:

525 Great South Road, Penrose, Auckland  
Phone: 09 930 6200  
Email: aucklandshowroom@newtech.co.nz

Follow us on



0800 728 662 | newtech.co.nz

