

SL330L / SL330R Heated Towel Rail

Dimensions: 1000 x 600 x 90

WALL MOUNTING

The towel rail is to be fixed to a solid wall being brick, cladded or timber framing. Warning: In order to avoid a hazard for young children, this appliance must be installed so that the bottom rail is at least 600mm above the floor.

INSTALLATION

- With wall flanges fitted to the rail hold the rail up to the wall.
- Outline the wall flange in the desired position with a pencil and remove from the wall. *See diagram 1*
- Using the flange, mark the centre of the screw hole in the flange.
- Drill a hole for the screw with a 6.5mm drill bit and insert a nylon plug into tiled or masonry wall. (if applicable) *See diagram 2*
- Screw wall flanges back to the wall (into nylon plugs or a wall stud.)
- Slide towel rail into the wall flanges (until it comes to a stop). With a 2.5mm allen key, tighten the grub screw on the flanges into the shaft of the rail firmly and check the rail is secure. *See diagram 3*

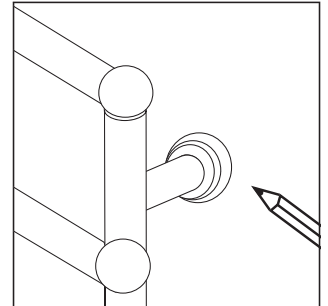


DIAGRAM 1

ELECTRICAL INSTALLATION

Please ensure your towel rail is installed by a registered electrician and ensure the electrical supply, plug and switch location, and product location will comply with your local regulations. New Zealand electrical wiring requirements stipulate that this must be adhered to.

This appliance must be fitted with an air gap phase isolation switch which isolates the “Phase” and “Neutral” in accordance with local wiring regulations.

This product must be used in conjunction with a hard wired switch.

The installation of the towel rail must be performed by a registered electrician and installation is to comply with AS/NZS 60335.

If the supply cord is damaged, it must be replaced by the manufacturer, its service agent or similarly qualified persons in order to avoid a hazard. All pole disconnection in the fixed wiring shall be provided.

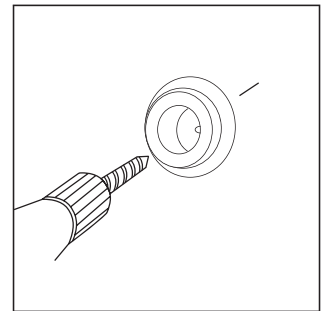


DIAGRAM 2

CARE AND CLEANING

The SL330 Newtech heated rail is manufactured from 304 Grade Stainless Steel, and should be given a wipe over with a soft cloth and non abrasive polish such as “Mr Sheen”. Fine scratching can be removed using a metal polish such as “Brasso” or “Autosol”.

- This appliance is not intended for use by young children or infirm persons unless they have been adequately supervised by a responsible person to ensure that they can use this appliance safely.
- Young children should be supervised to ensure they do not play with the appliance.
- If the supply cord is damaged it must be replaced by the manufacturer or a Newtech service agent in order to avoid a hazard.

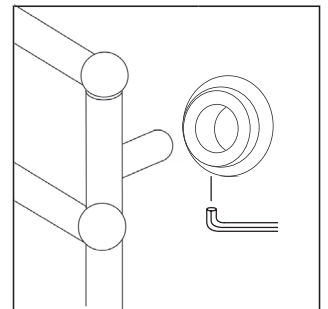
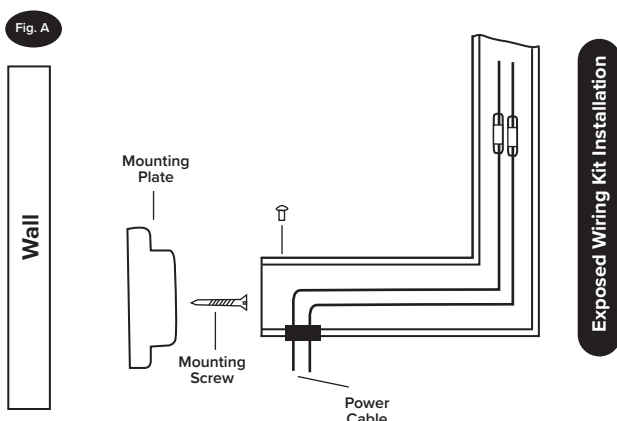


DIAGRAM 3

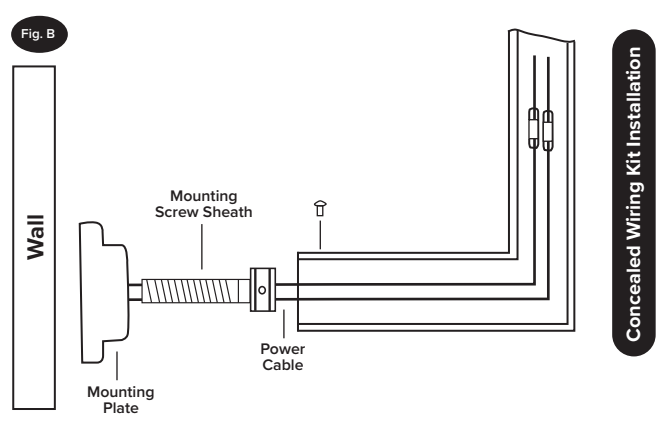
SPECIFICATIONS

Voltage 230-240V, Power 100W, IP Rating IP45

See product specification on individual rail and/or packaging.



Exposed Wiring Kit Installation



Concealed Wiring Kit Installation