



# STAGING CATALOGUE 2018/19



**PROLIGHT**

Concepts Group Ltd

[www.prolight.co.uk](http://www.prolight.co.uk)

# CONTENTS

NEW! Tour Deck  
Pages 2-3

GT Stage Deck  
Introduction  
Pages 4-5

Platforms  
Pages 6-7

Example Setups  
Page 8

Deck Clamps &  
Accessories  
Page 9

Legs  
Pages 10-11

Handrails &  
Stairs  
Pages 12-16

Skirts &  
Accessories  
Page 17

Trolleys &  
Spare Parts  
Page 18

Pipe & Drape  
Page 19

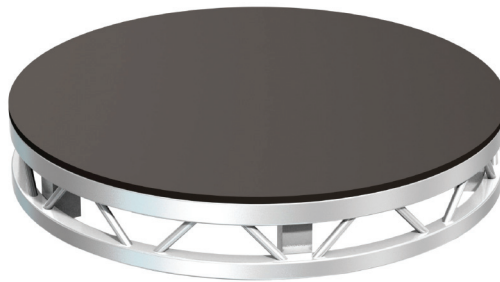
Stage Weight,  
Tank Trap &  
Aluminium Tubes  
Page 19

# GT Tour Deck Platforms

The GT TOUR DECK series offers rental companies a familiar stage format conforming to industry standard dimensions. Ideally suited to the demands of touring and theatre, the Tour Deck stage system utilises standard scaffold tube size legs (48mmØ) for maximum cross compatibility. The decks are secured together using standard nuts and bolts ensuring structures remain stable during use.

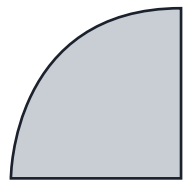
- 19mm plywood with black top and phenolic underside finish
- Bolt together construction
- Large leg receiver complete with metal wing nut fixing
- 5 kN/m<sup>2</sup> uniform load rating
- Full range of popular sizes plus quadrant and triangular sections
- Fully welded side profiles for maximum durability and strength
- Designed and engineered in Germany

## Circle Stage Platform



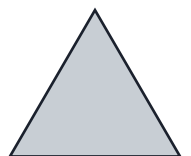
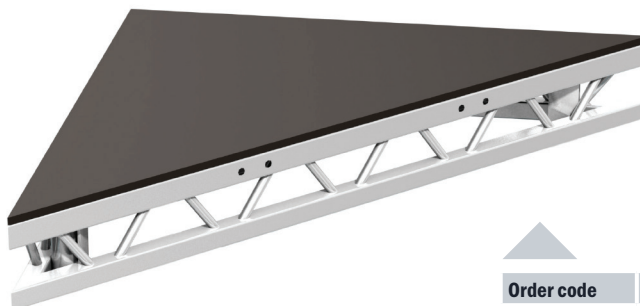
Order code	Size	Weight
GL6207	4ft Full Circle	27kg

## Quadrant Stage Platform



Order code	Size	Weight
GL6208	4 x 4ft	25kg

## Triangle Stage Platforms

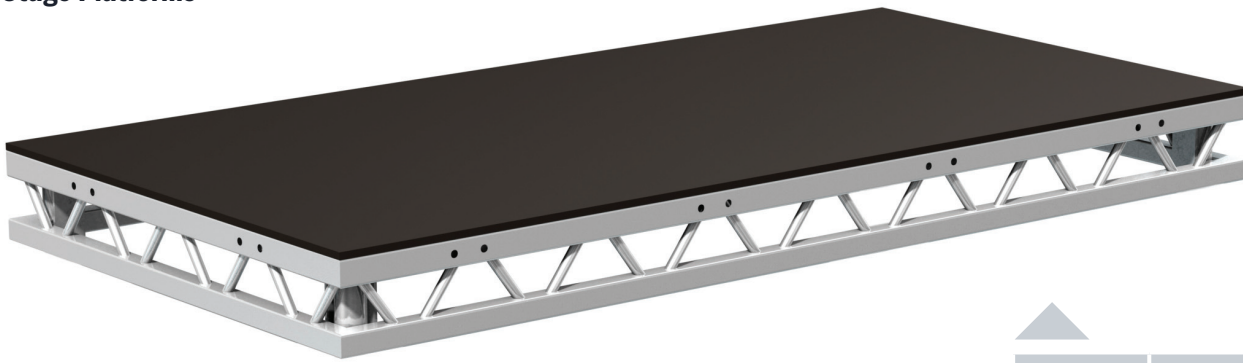


**Equilateral**

Order code	Size	Weight
GL6204	4 x 4ft Equilateral	25kg

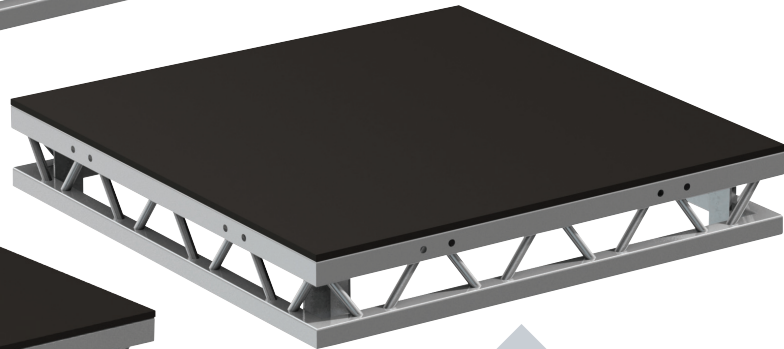
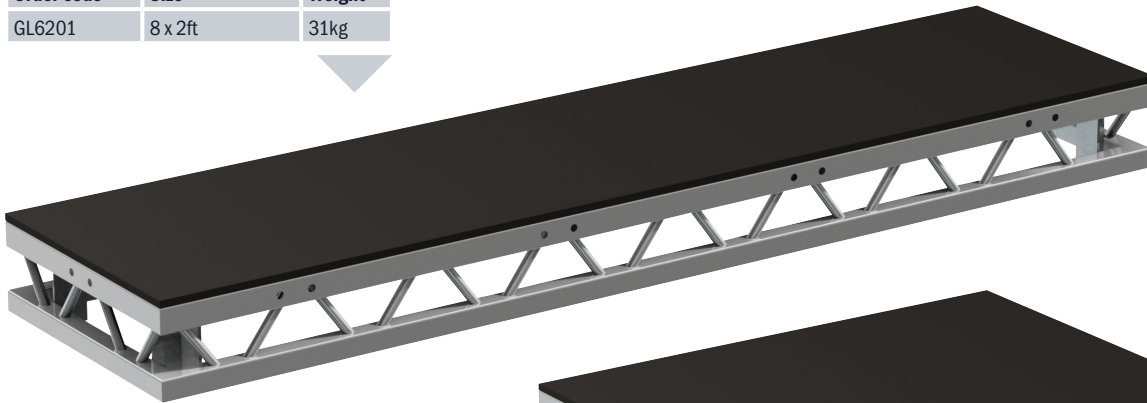
**MORE PRODUCTS  
COMING SOON!**

## Stage Platforms

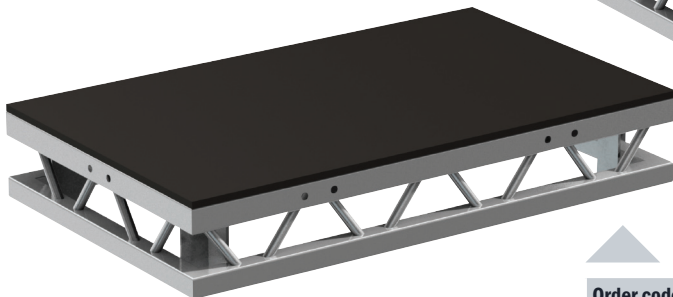


Order code	Size	Weight
GL6200	8 x 4ft	47kg

Order code	Size	Weight
GL6201	8 x 2ft	31kg

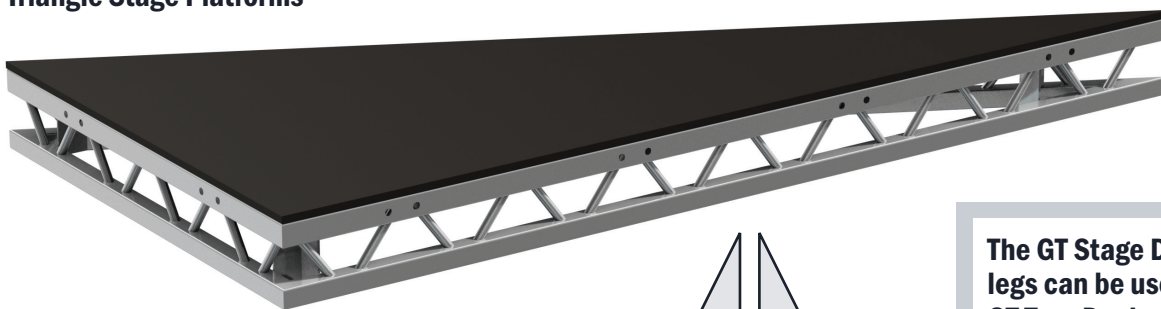


Order code	Size	Weight
GL6202	4 x 4ft	28kg

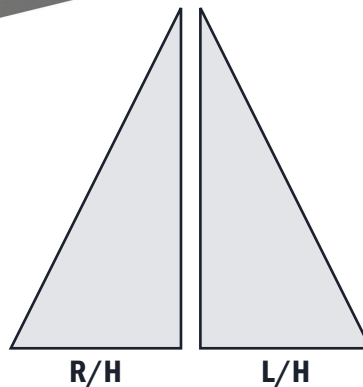


Order code	Size	Weight
GL6203	4 x 2ft	17kg

## Triangle Stage Platforms



Order code	Size	Weight
GL6205	8 x 4ft L/H	25kg
GL6206	8 x 4ft R/H	25kg



The GT Stage Deck round legs can be used for our GT Tour Deck series

- See page 10 for details



# GT Stage Deck

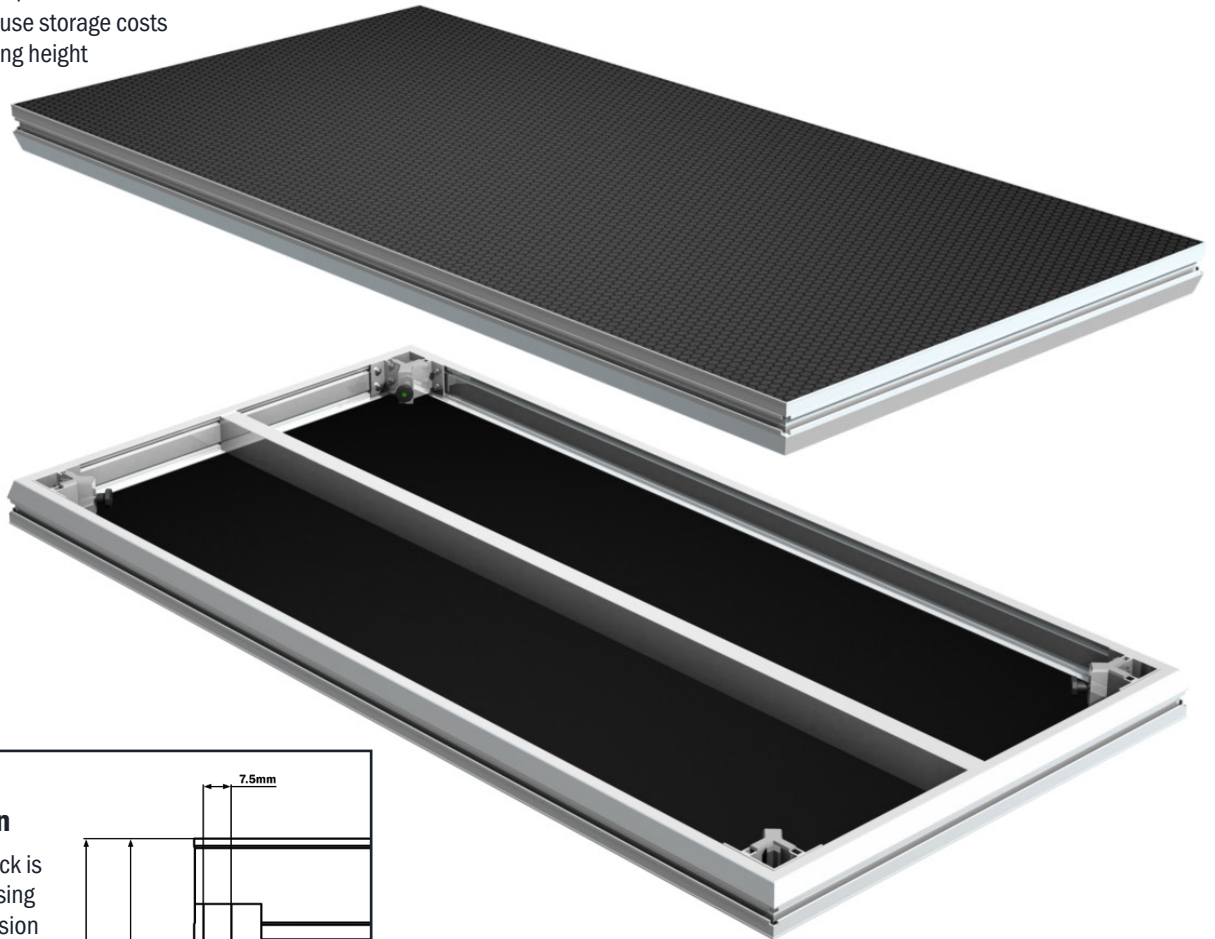
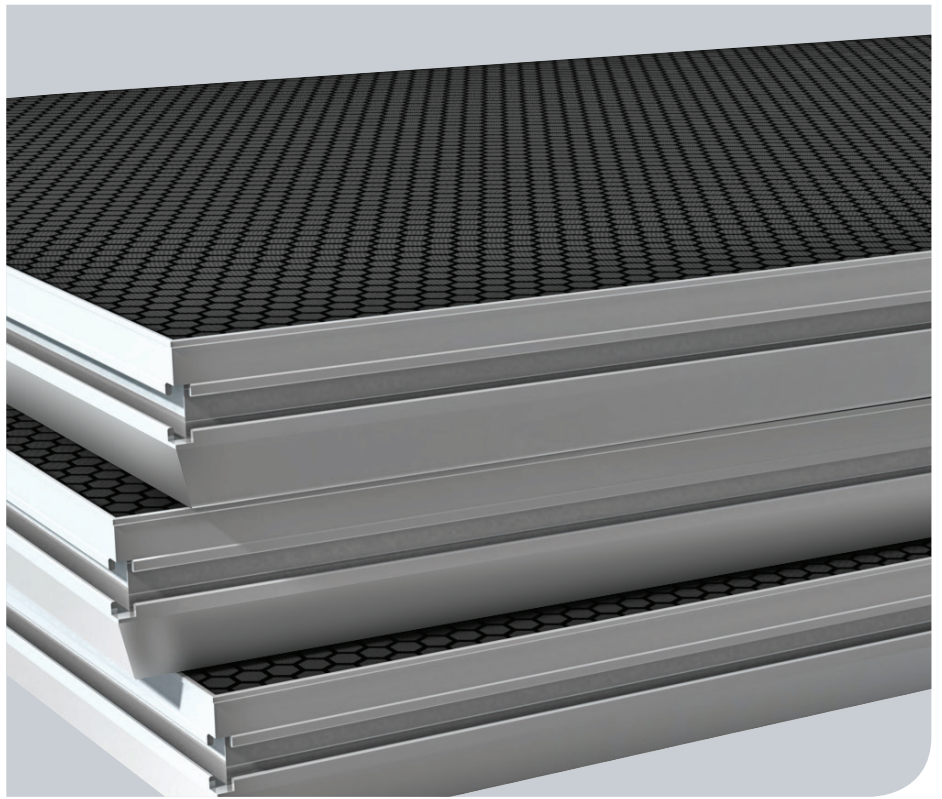
The GT STAGE DECK platform is a mobile stage system for indoor and outdoor use. This range is ideal for concerts, theatres, schools, public halls, exhibitions, fashion shows or wherever a stage is needed.

The aluminium profile offers superior flexibility and compatibility with many other manufacturers.

Due to the external notch, additional handrails and skirt rails can be attached. Furthermore platforms can be connected via the notches whilst the 'Deck Leveller' helps to align them at the exact same height.

The connection for the attachment of legs has been specially designed for both round and square versions with a maximum dimension of 60 x 60mm.

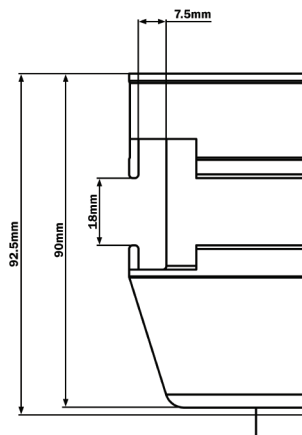
- Compatible with many other manufacturers products
- Optimised shape - external corners are compatible with products by Layher and Nivtec without adaptors
- Reduced warehouse storage costs  
- Just 9cm stacking height

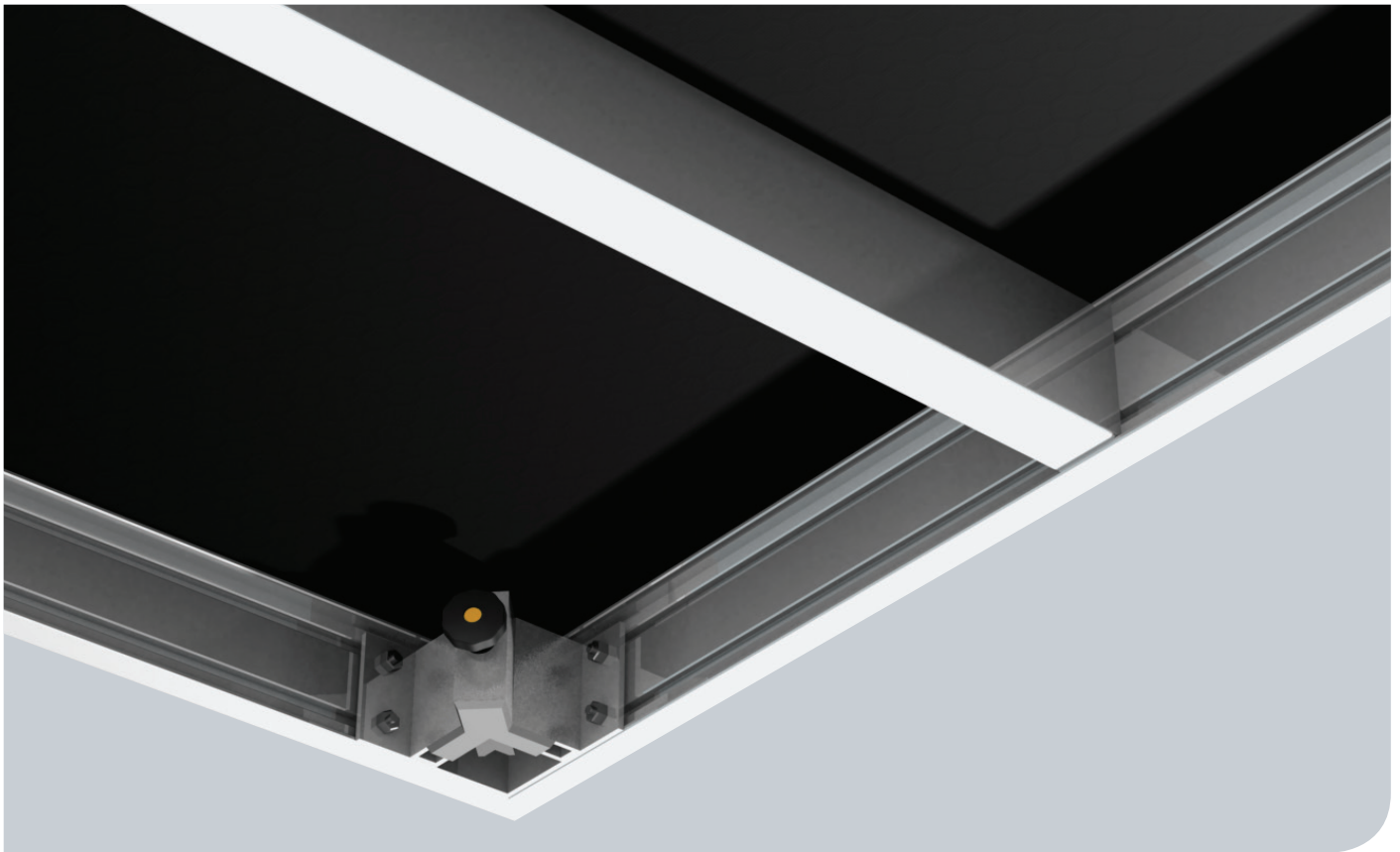


## Extrusion Cross Section

The GT Stage Deck is manufactured using aluminium extrusion for the outer frame.

The extrusion design allows for accessories such as stairs and skirt rails to be fastened to the stage edge.





# GT Stage Deck Leg Clamping System

## Standard Systems

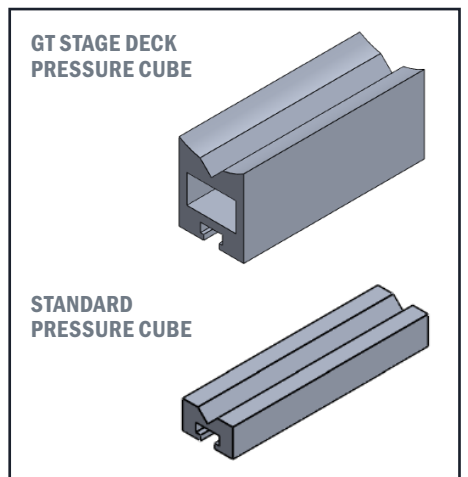
Most systems on the market use round legs with a diameter of 50mm or square legs with dimensions of 50 x 50mm or 60 x 60mm.

Normally to interchange between the 3 versions you would change the pressure cube to fit the corner to the leg. Standard pressure cubes are very small, therefore, all the pressure is confined to the screw which doesn't provide enough stability.

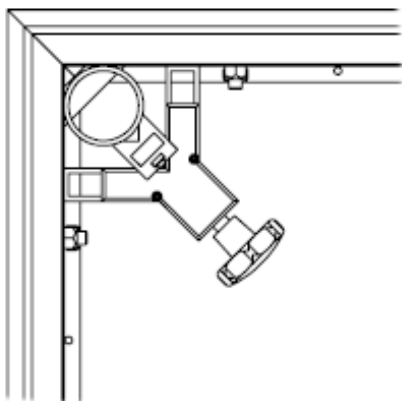
## GT Stage Deck Systems

The pressure cube featured on the GT Stage Deck series is universal and suitable for round (48-50mmØ) as well as square (50 x 50mm or 60 x 60mm) legs eliminating having to change the pressure cubes.

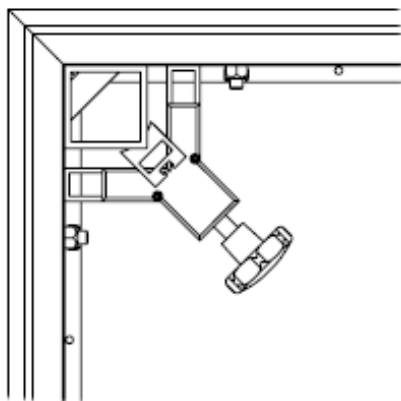
In order to accommodate round and square legs with the special pressure cube Global Truss has widened the corners, and no matter which legs are used, the pressure cube will always provide maximum stability.



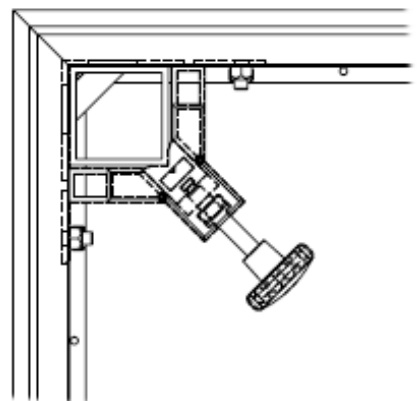
DIAGRAMS SHOWING THE DIFFERENT LEGS HELD IN POSITION WITH THE GT STAGE DECK PRESSURE CUBE



ROUND 50mmØ



50 x 50mm SQUARE



60 x 60mm SQUARE

# Stage Platforms

The GT Stage Deck platforms are available in a variety of sizes and finishes including an all-weather hexagrip phenolic plywood for general purpose use, or an untreated marine plywood suitable for staining/varnishing to match the venue or application.

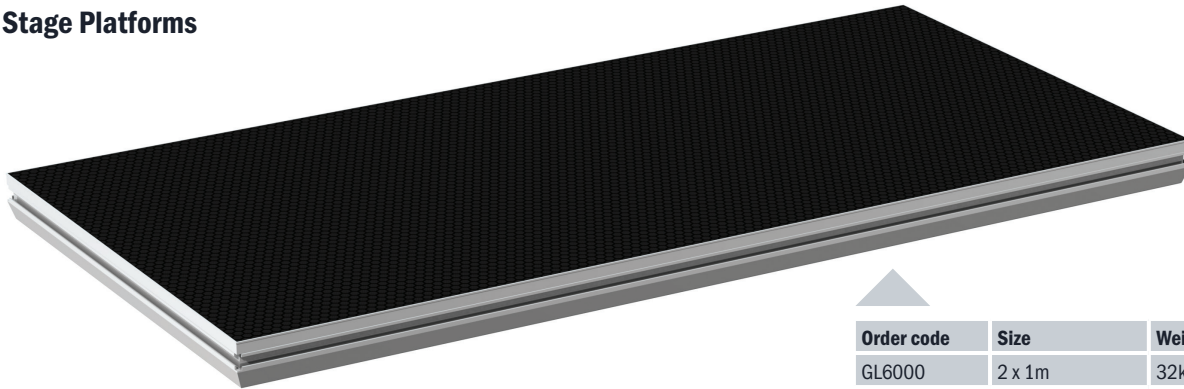
## Hexa Finish



## Wood Finish

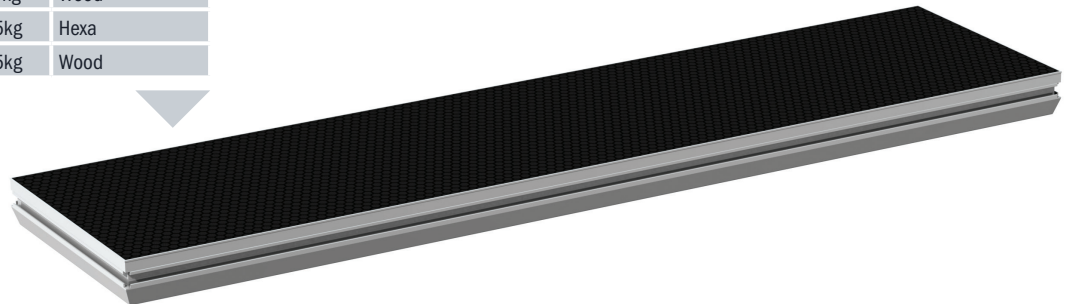


## Stage Platforms

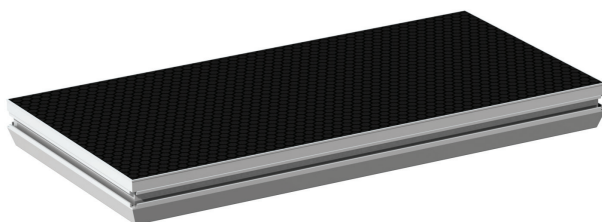
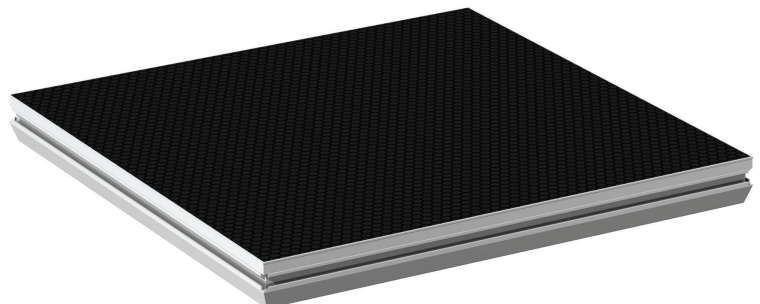


Order code	Size	Weight	Finish
GL6000	2 x 1m	32kg	Hexa
GL6004	2 x 1m	32kg	Wood
GL6008	8 x 4ft	45kg	Hexa
GL6086	8 x 4ft	45kg	Wood

Order code	Size	Weight	Finish
GL6002	2 x 0.5m	17.5kg	Hexa
GL6006	2 x 0.5m	17.5kg	Wood
GL6084	8 x 2ft	31.5kg	Hexa
GL6097	8 x 2ft	31.5kg	Wood

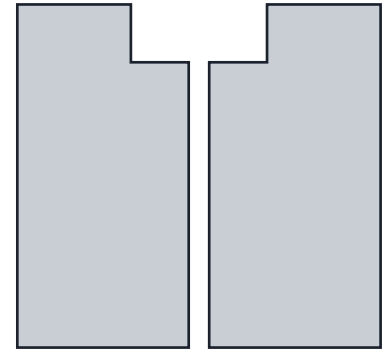
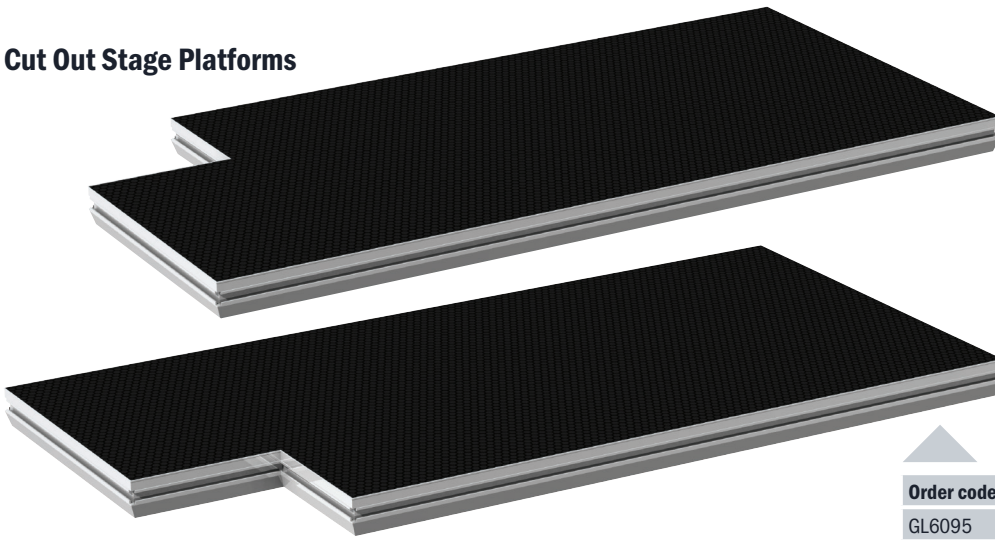


Order code	Size	Weight	Finish
GL6001	1 x 1m	17.5kg	Hexa
GL6005	1 x 1m	17.5kg	Wood
GL6009	4 x 4ft	28kg	Hexa
GL6087	4 x 4ft	28kg	Wood



Order code	Size	Weight	Finish
GL6003	1 x 0.5m	12kg	Hexa
GL6007	1 x 0.5m	12kg	Wood
GL6085	4 x 2ft	15.7kg	Hexa
GL6098	4 x 2ft	15.7kg	Wood

### Cut Out Stage Platforms

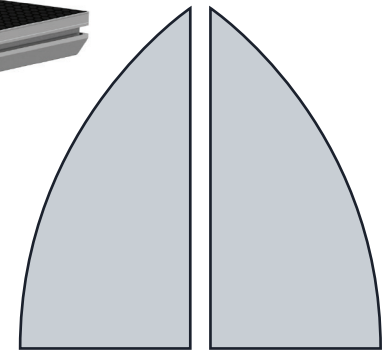


R/H

L/H

Order code	Size	Weight	Finish
GL6095	2 x 1m L/H	30kg	Hexa
GL6096	2 x 1m R/H	30kg	Hexa

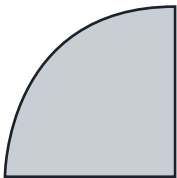
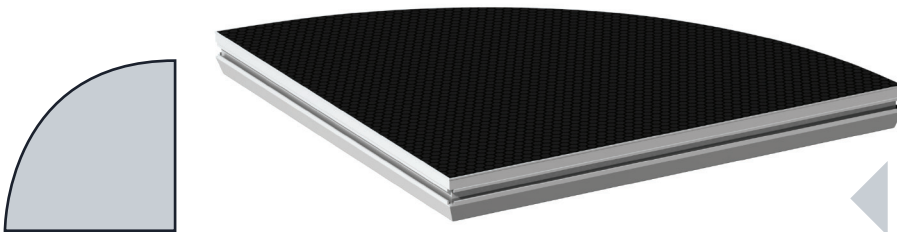
### Quadrant Stage Platforms



R/H

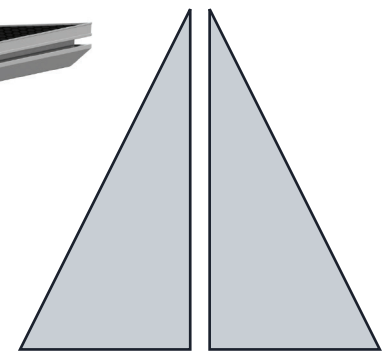
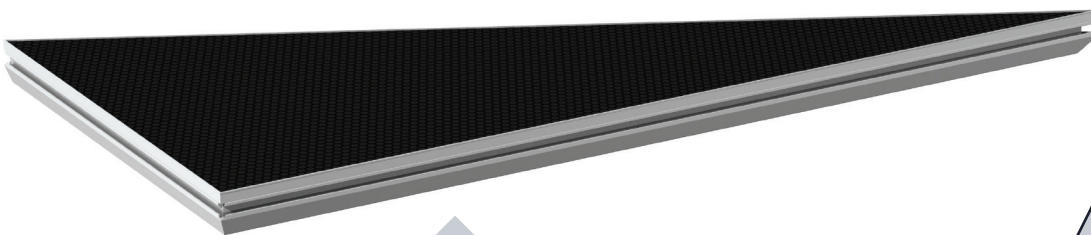
L/H

Order code	Size	Weight	Finish
GL6088	2 x 1m L/H	24.5kg	Hexa
GL6088A	2 x 1m R/H	24.5kg	Hexa



Order code	Size	Weight	Finish
GL6089	1 x 1m	14.5kg	Hexa

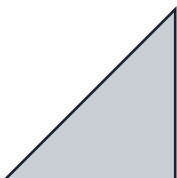
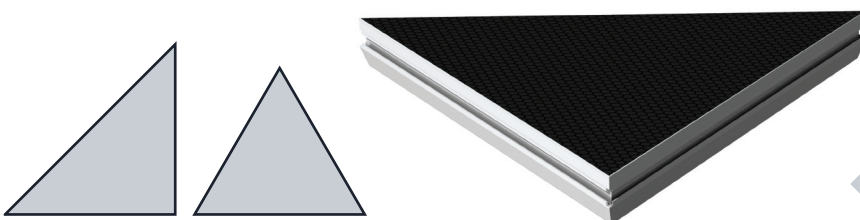
### Triangle Stage Platforms



R/H

L/H

Order code	Size	Weight	Finish
GL6090A	2 x 1m L/H	24.5kg	Hexa
GL6090	2 x 1m R/H	24.5kg	Hexa



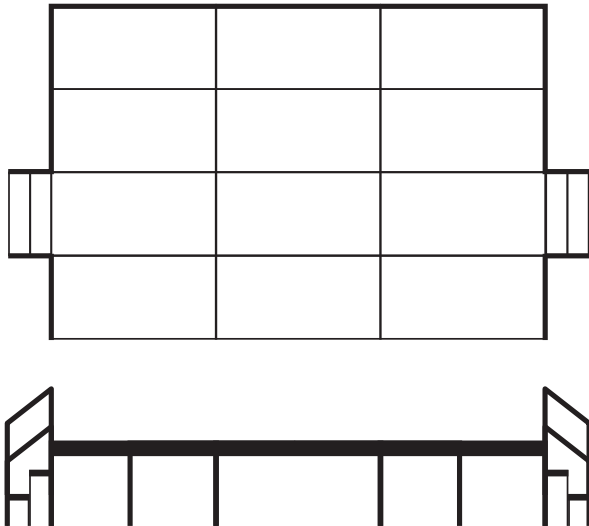
Right Angle

Equilateral

Order code	Size	Weight	Finish
GL6091	1 x 1m Right Angle	14.5kg	Hexa
GL6092	1 x 1m Equilateral	14.5kg	Hexa

# Example setups

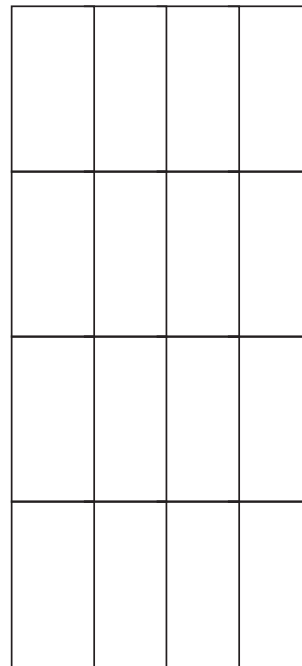
## Stage Setup



For this stage setup you would need the following:

- 12 x GL6000 - 2 x 1m Hexa Stage Platform
- 26 x GL6010 - Deck Clamp
- 26 x GL6011 - Deck Leveller
- 10 x GL6012 - Two Leg Clamp - 60mm Legs
- 6 x GL6013 - Four Leg Clamp - 60mm Legs
- 2 x GL6014 - 20cm Modular Stair
- 2 x GL6015 - 40cm Modular Stair
- 4 x GL6018 - Modular Stair Handrail
- 48 x GL6035 - 60-100cm Telescopic Leg
- 5 x GL6038 - 2m Handrail
- 2 x GL6039 - 1m Handrail
- 4 x GL6042 - Handrail Corner Connector

## Tiered Setup



For this tiered setup you would need the following:

- 16 x GL6008
- 8 x 4ft Hexa Stage Platform
- 24 x GL6135 - Leg Bracket (See below for details)
- 40 x GL6029 - 20cm Round Leg
- 8 x GL6030 - 40cm Round Leg
- 8 x GL6031 - 60cm Round Leg
- 8 x GL6032 - 80cm Round Leg
- 12 x GL6010 - Deck Clamp
- 12 x GL6011 - Deck Leveller

### GT Stage Deck Leg Bracket

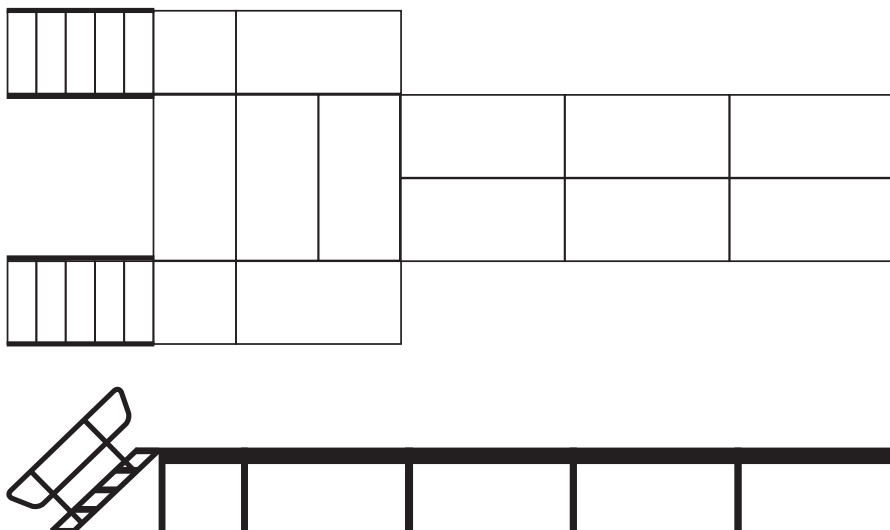
Order code: GL6135

This steel bracket enables GT Stage Decks to be stacked in a tiered format to create stairs or raked stages for seating.

To create the tiers, the system uses 20cm legs held in place by the bracket, and then a series of 40cm, 60cm, 80cm legs to form the rear of the tier.



## Catwalk Setup



For this catwalk setup you would need the following:

- 11 x GL6000 - 2 x 1m Hexa Stage Platform
- 2 x GL6001 - 1 x 1m Hexa Stage Platform
- 52 x GL6033 - 100cm Round Leg
- 4 x GL6013A - Four Leg Clamp - 48mm Legs
- 14 x GL6012A - Two Leg Clamp - 48mm Legs
- 2 x GL6020 - Adjustable Stair 60-100cm
- 2 x GL6023 - Adjustable Stair Handrail - Left
- 2 x GL6023A - Adjustable Stair Handrail - Right

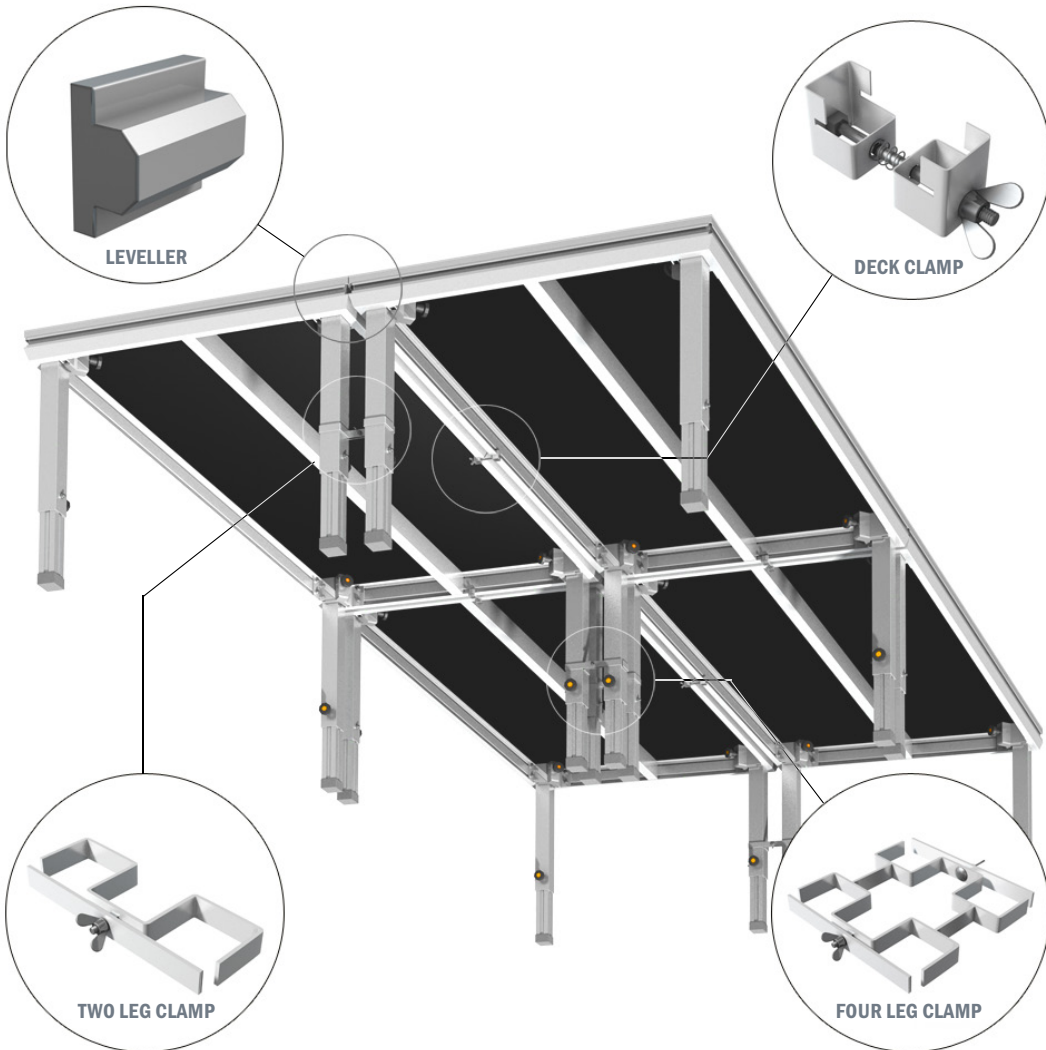
**The wide range of GT Stage Deck products available allows users and installers the flexibility to create many different systems and setups.**

**Whether you want to create a stage in a school or theatre, or even build a permanent or temporary concert or festival stage, Global Truss has the solution for you.**

**On this page are just a handful of configurations, there are in fact endless system possibilities.**



# GT Stage Deck Clamps and Accessories

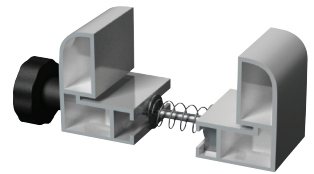


## HD Deck Clamp

Order code: GL6136

Heavy duty aluminium deck clamp offering a more even load distribution and greater clamping force compared to standard deck clamps.

- Heavy duty clamp for clamping adjacent decks together
- A minimum of one clamp is to be used per running metre of joint
- Aluminium pressure pads



## Two Leg Clamps

- Heavy duty clamp for clamping two square 60mm or round 48mm legs together

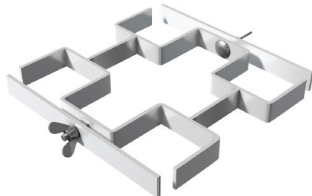


Version	60mm	48mm
Order code	GL6012	GL6012A



## Four Leg Clamps

- Heavy duty clamp for clamping four square 60mm or round 48mm legs together



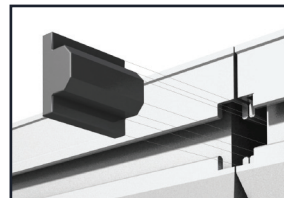
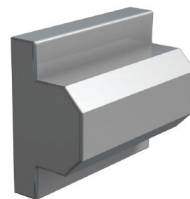
Version	60mm	48mm
Order code	GL6013	GL6013A



## Deck Leveller

Order code: GL6011

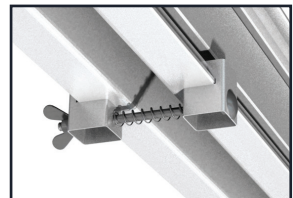
- A handy insert designed to be fixed in the side groove on GT Stage Decks to assist when levelling stage platforms
- A minimum of one leveller is to be used per running metre of joint



## Deck Clamp

Order code: GL6010

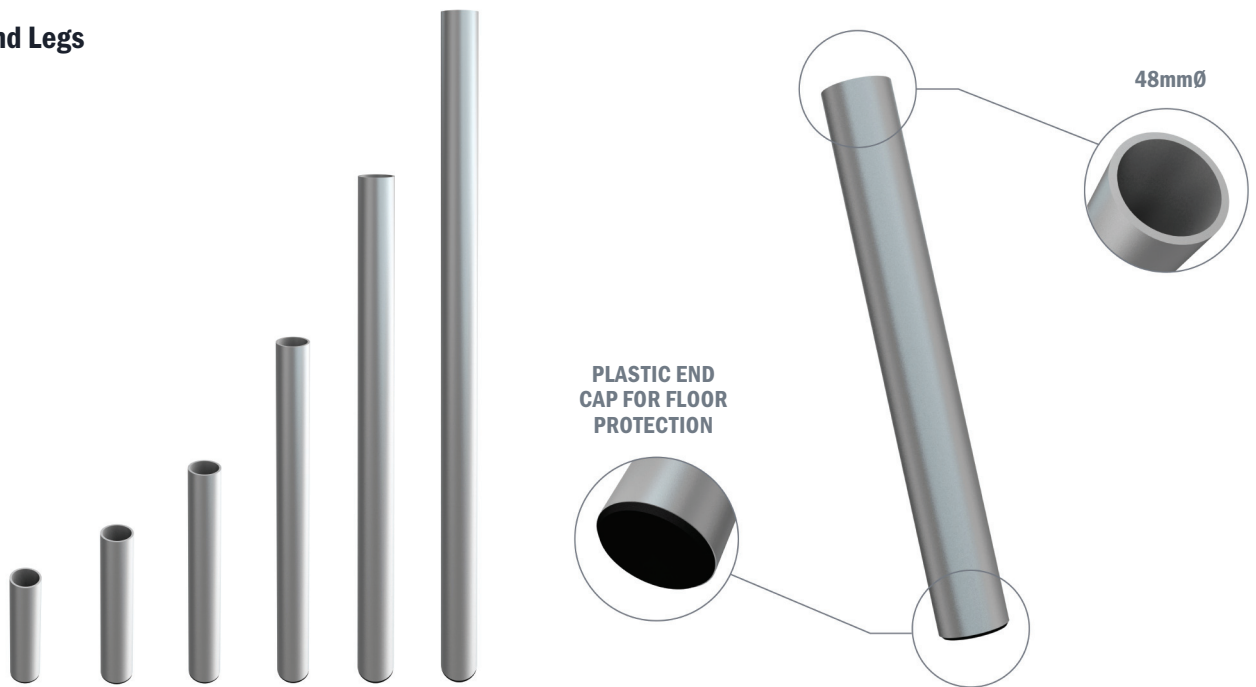
- For clamping adjacent decks together
- A minimum of one clamp is to be used per running metre of joint




# GT Stage Deck Legs

The GT Stage Deck Legs feature a plastic end cap for floor protection and provide maximum stability with the specially designed pressure cube situated in the GT Stage Deck corners accommodating both round and square legs.

## 48mm Round Legs




Length	0.2m	0.3m	0.4m	0.6m	0.8m	1.0m
Order code	GL6029	GL6029A	GL6030	GL6031	GL6032	GL6033

### 48mm Round Legs with Castors

The GT Stage Deck Legs with standard or braked castor are perfect for easy manoeuvrability.

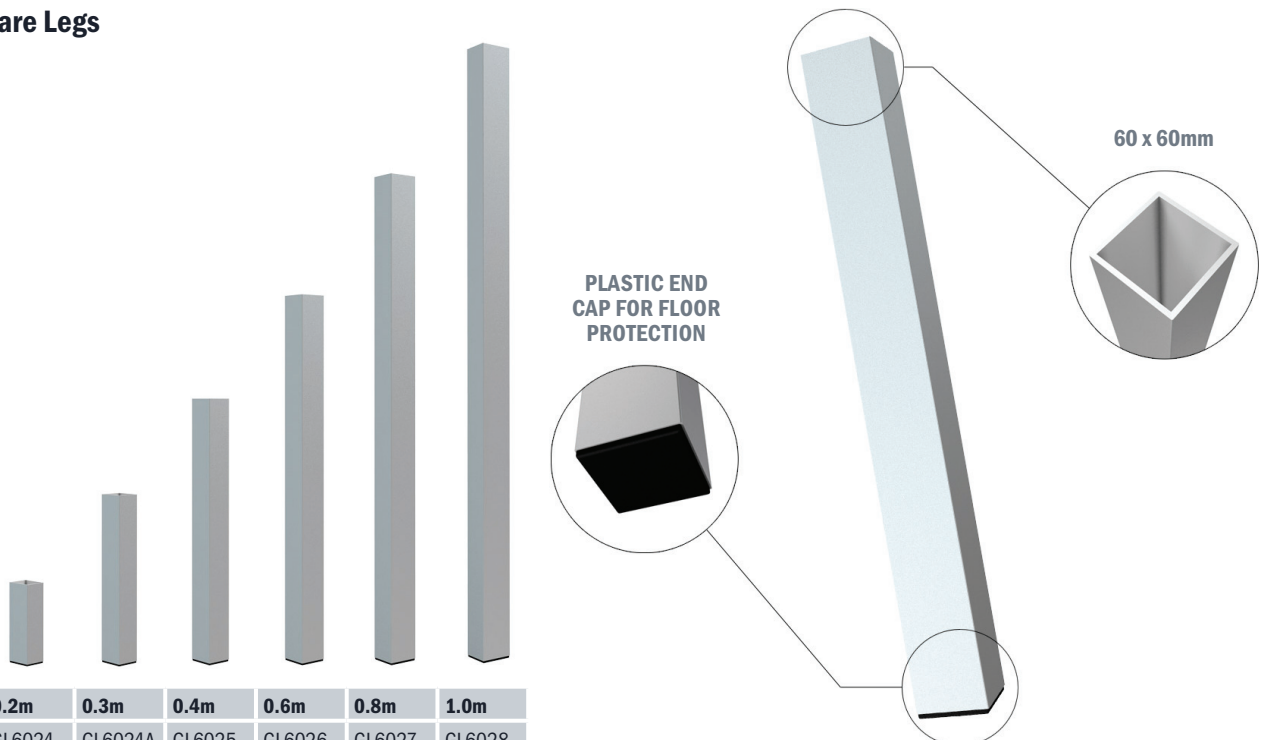


**Version with braked castors**

Length	0.3m	0.4m
Order code	GL6071	GL6073

Length	0.3m	0.4m
Order code	GL6070	GL6072

## 60mm Square Legs

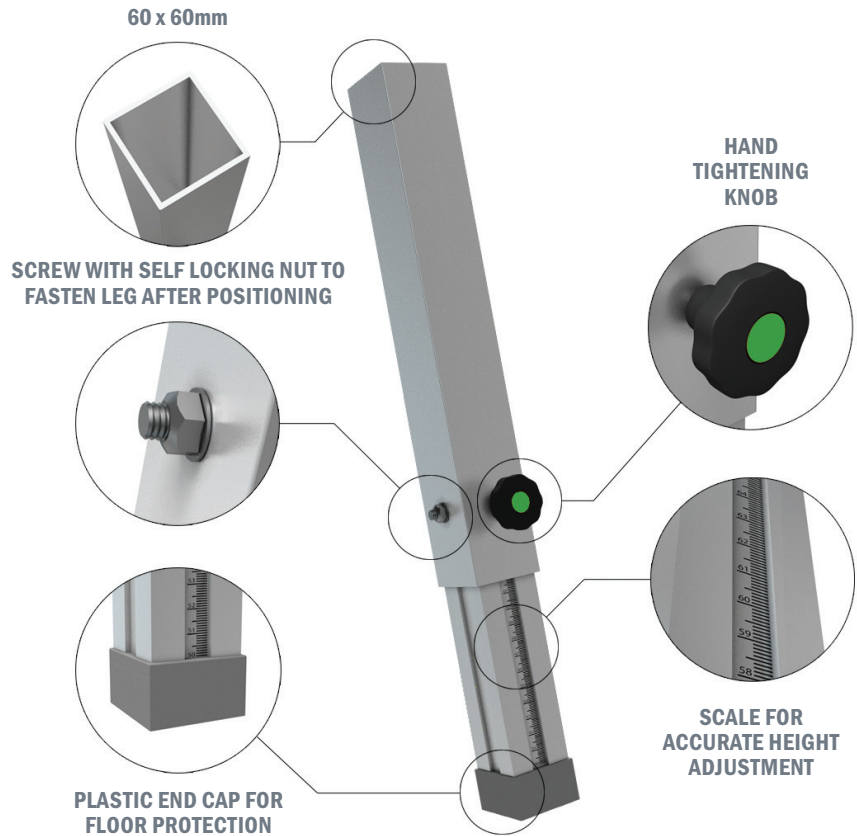
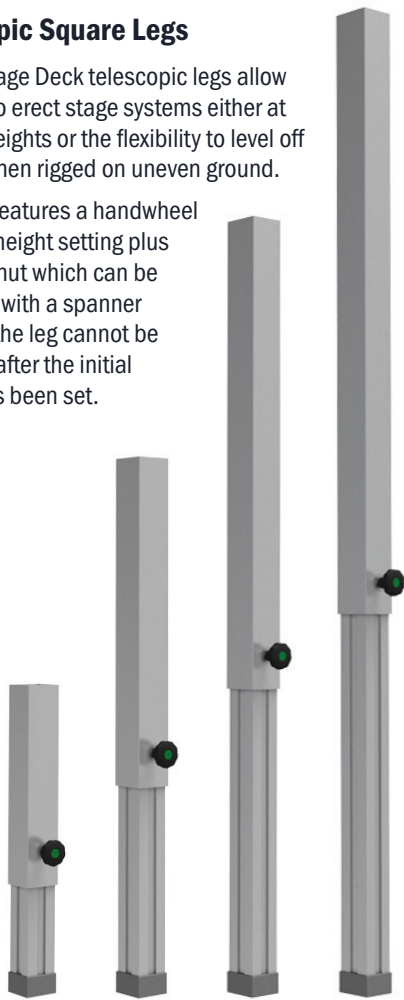


Length	0.2m	0.3m	0.4m	0.6m	0.8m	1.0m
Order code	GL6024	GL6024A	GL6025	GL6026	GL6027	GL6028

## Telescopic Square Legs

The GT Stage Deck telescopic legs allow the user to erect stage systems either at custom heights or the flexibility to level off a stage when rigged on uneven ground.

Each leg features a handwheel for initial height setting plus a locking nut which can be tightened with a spanner ensuring the leg cannot be adjusted after the initial height has been set.

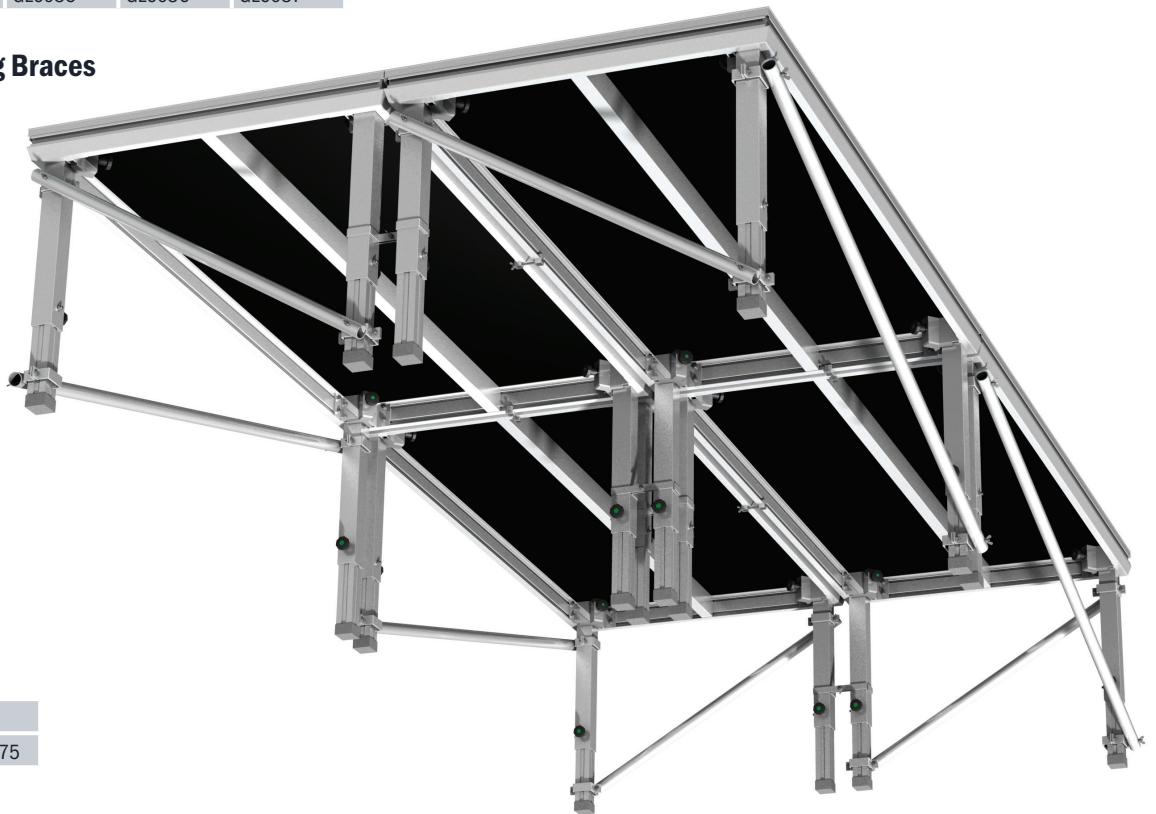


Length	0.4m-0.6m	0.6m-1.0m	0.8m-1.4m	1.0m-1.8m
Order code	GL6034	GL6035	GL6036	GL6037

## Diagonal Square Leg Braces

The GT Stage deck leg braces add extra stability when using 60 x 60cm square legs at heights of 120cm or more.

Available for use across either 1m or 2m leg spacing, each brace is supplied with two clamps ready for use.



Leg span	1.0m	2.0m
Order code	GL6074	GL6075



# GT Stage Deck Handrails

The GT Stage Deck Handrails provide safety when using the modular stage platforms.



**EASY-TO-USE, STABLE  
2 POINT CONNECTION**



**JOINS TO THE GT STAGE DECK  
WITH BUILT IN ATTACHMENT  
- NO ADDITIONAL ASSEMBLY  
CLAMP REQUIRED**



## Handrails

- Black powder coated steel

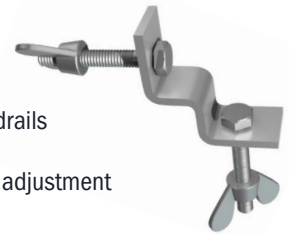


Specifications	1.0m	2.0m	4ft	8ft
Order code	GL6039	GL6038	GL6040A	GL6040

### Handrail Corner

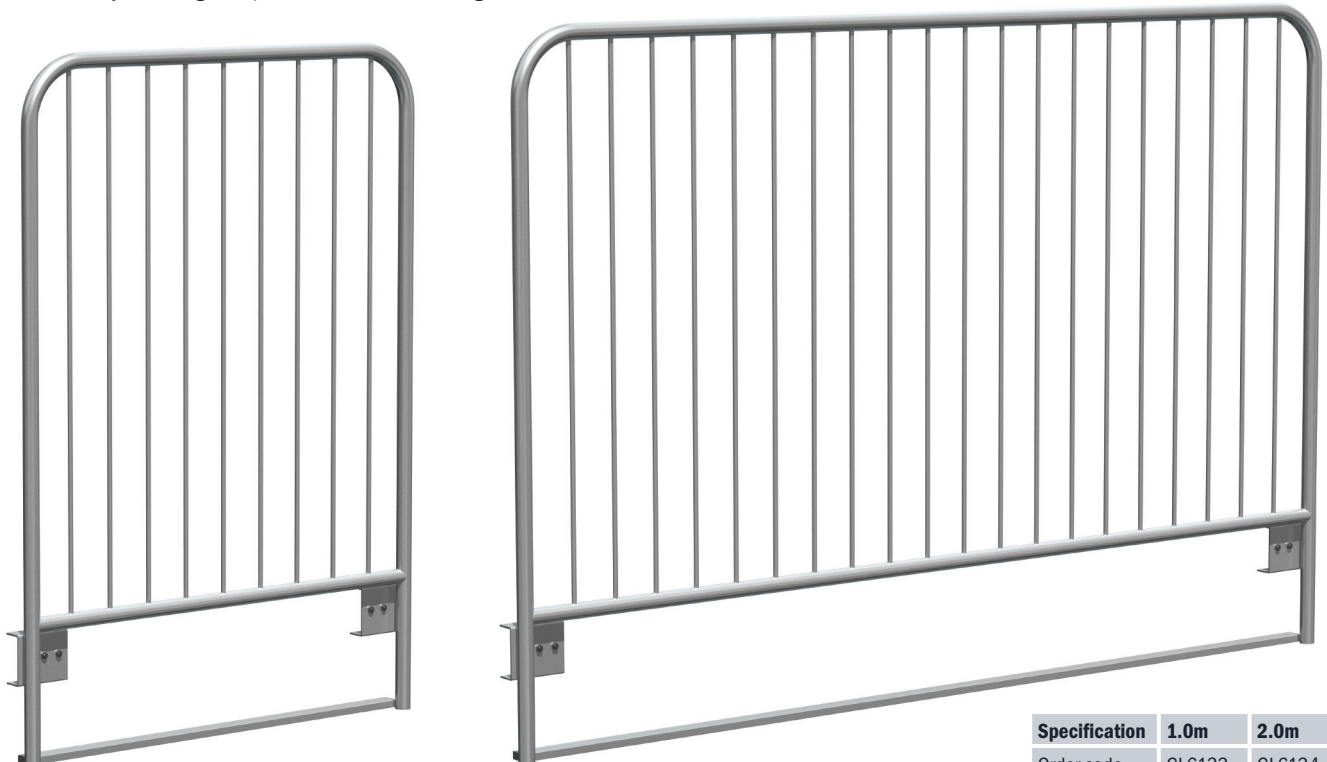
Order code: GL6042

- Clamp for connecting multiple handrails together around a 90° corner
- Large wingnut fastener for tool free adjustment



## GT Stage Deck HD Handrails

Heavy duty safety rails suitable for applications where people maybe using the raised stage area. Increased horizontal loading of 100kg/m plus the narrow rail vertical spindle placement provides extra security allowing compliance with relevant regulations.

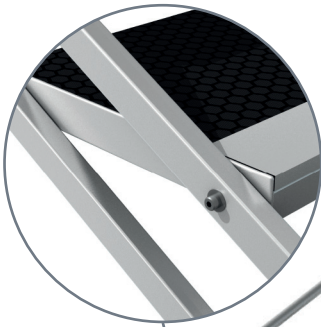


Specification	1.0m	2.0m
Order code	GL6133	GL6134

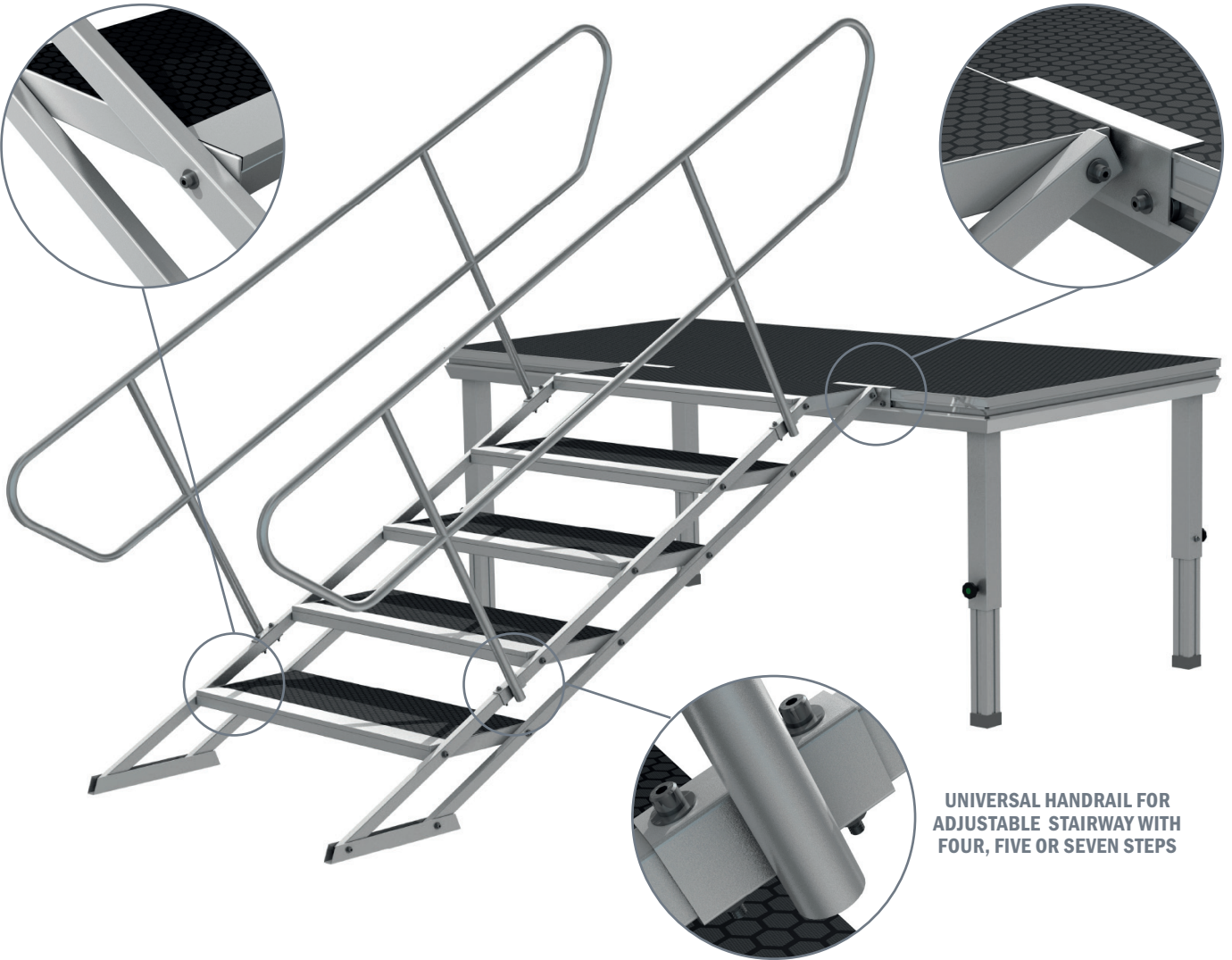
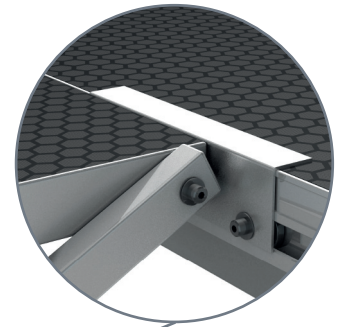
# GT Stage Deck Stairs and Handrails

The GT Stage Deck Stairs and Handrails provide easy access and safety when using the modular stage platforms. Utilising a cantilever design, each of the four stair options may be used within a given height range whilst the stair treads remain horizontal.

**CANTILEVER DESIGN**

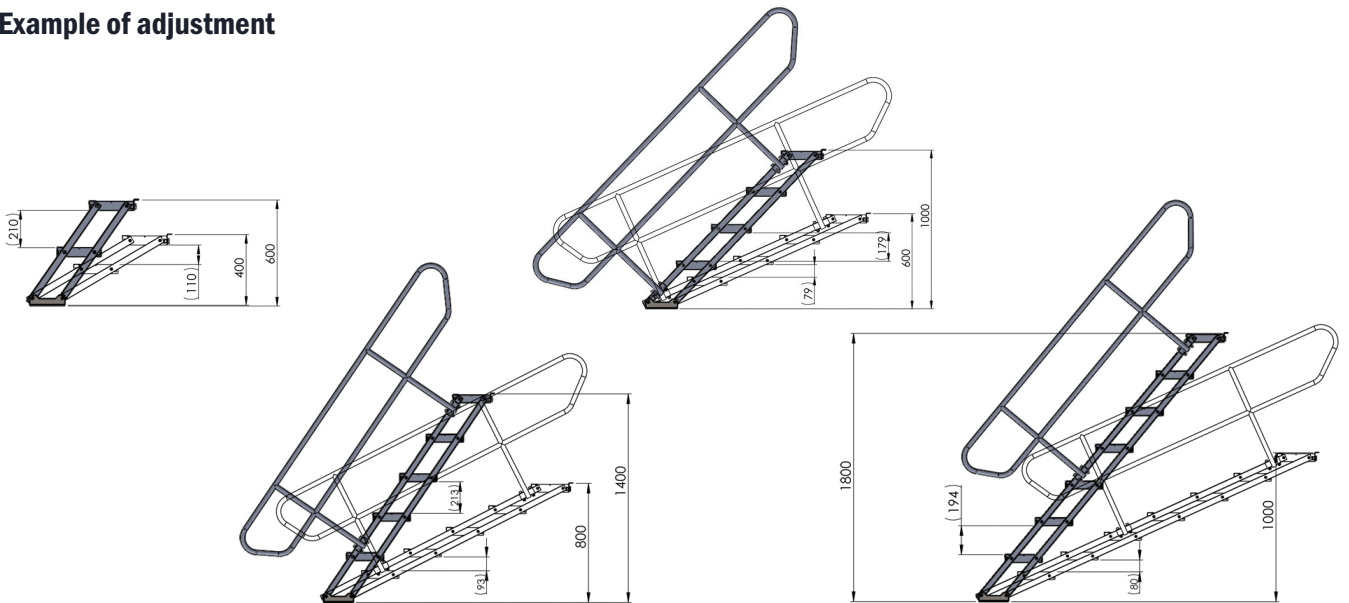


**EASY CONNECTION TO GT STAGE DECK**

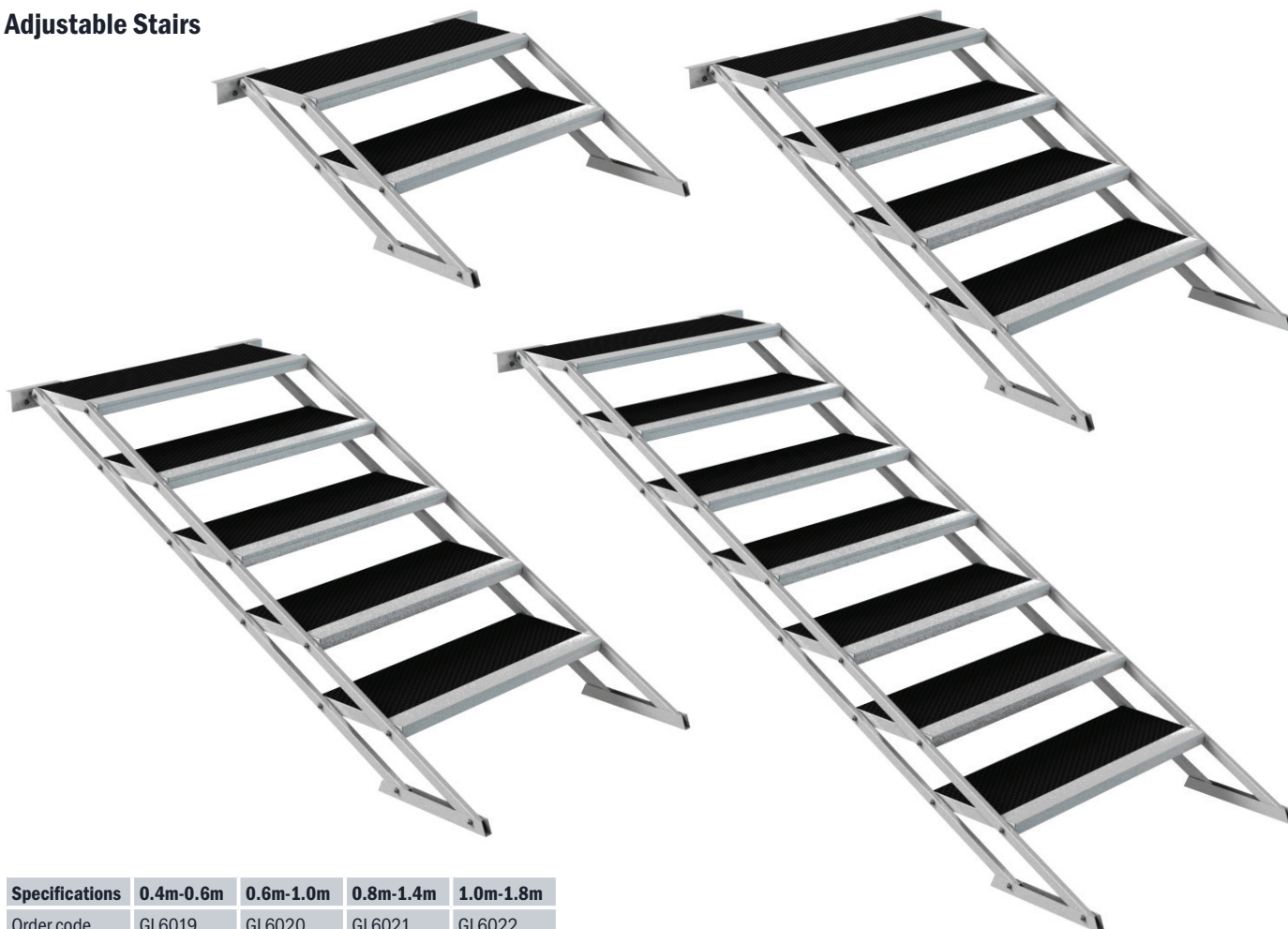


**UNIVERSAL HANDRAIL FOR ADJUSTABLE STAIRWAY WITH FOUR, FIVE OR SEVEN STEPS**

## Example of adjustment

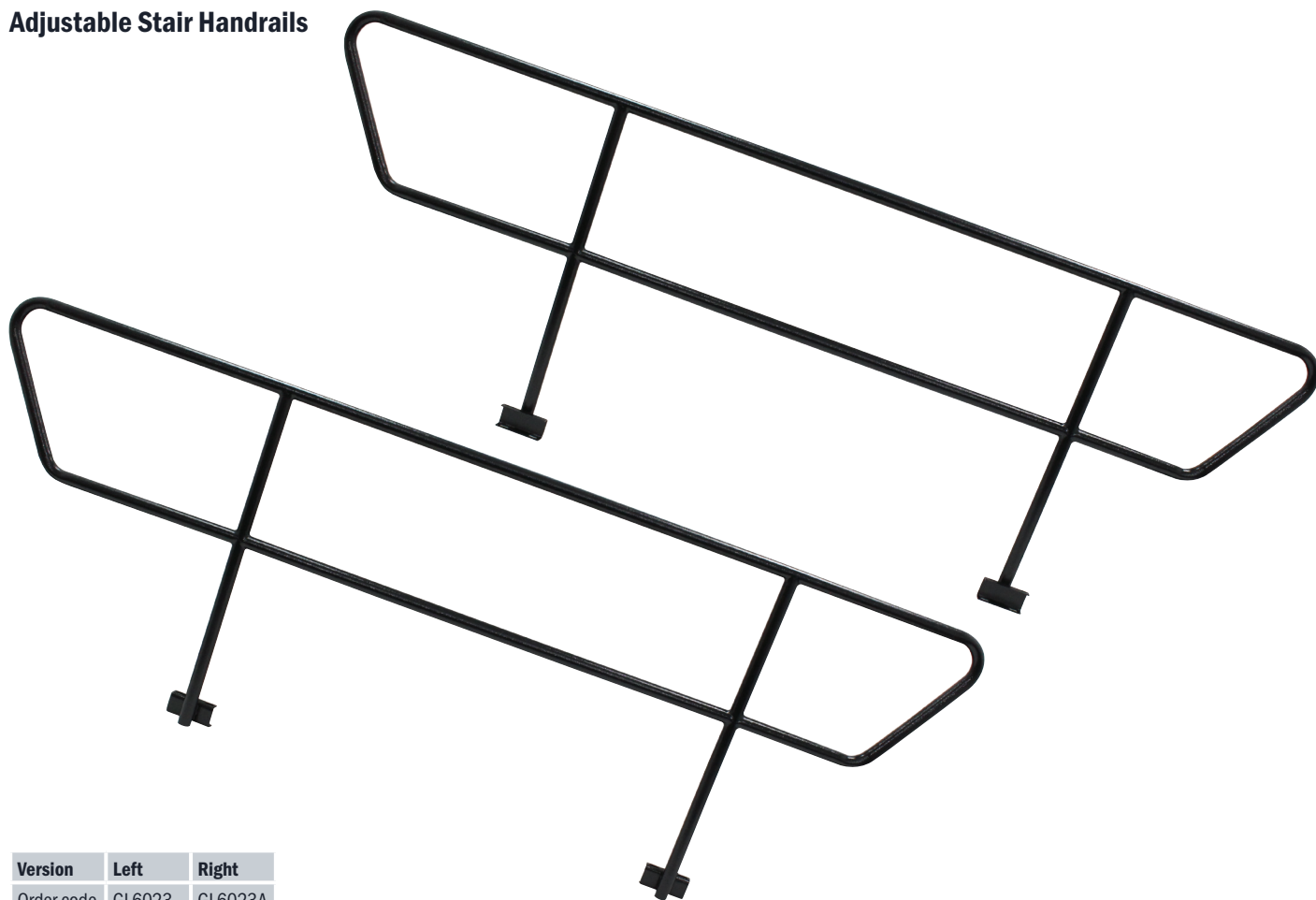


## Adjustable Stairs



Specifications	0.4m-0.6m	0.6m-1.0m	0.8m-1.4m	1.0m-1.8m
Order code	GL6019	GL6020	GL6021	GL6022

## Adjustable Stair Handrails



Version	Left	Right
Order code	GL6023	GL6023A

# GT Stage Deck Stairs and Handrails

The GT Stage Deck Stairs and Handrails provide easy access and safety when using the modular stage platforms.

EASY CONNECTION  
BETWEEN ADJACENT  
HANDRAILS IMPROVES  
STABILITY

DIRECT CONNECTION  
TO THE STAGE DECK

FAST CONNECTION  
TO THE STEP MODULES

## Modular Stair Handrail

Order code: GL6018

- Supplied with fixing bolts

## Modular Stairs



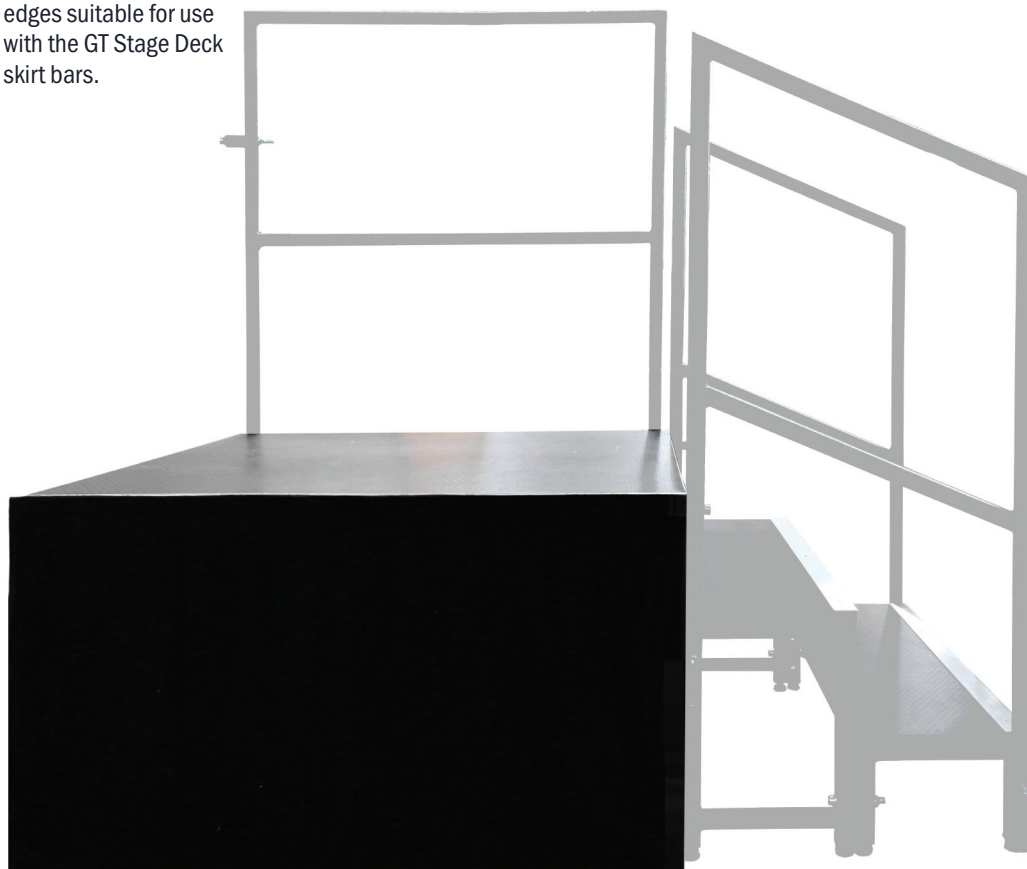
The 0.2m stairs come supplied with 2 bars for attachment to the deck edge.

Specifications	0.2m	0.4m	0.6m	0.8m
Order code	GL6014	GL6015	GL6016	GL6017



# GT Stage Deck Skirts

Add the finishing touch to your GT Stage Deck with the GT Stage Deck skirts available in either straight or pleated versions made from black nylon, or alternatively the pleated version is available in black wool serge. Each of the skirts is finished with Velcro type fixing along the left, right and top edges suitable for use with the GT Stage Deck skirt bars.



## Straight

Order code	Size
GL6049	20 x 105cm
GL6054	20 x 205cm
GL6049A	30 x 105cm
GL6054A	30 x 205cm
GL6050	40 x 105cm
GL6055	40 x 205cm
GL6051	60 x 105cm
GL6056	60 x 205cm
GL6052	80 x 105cm
GL6057	80 x 205cm
GL6053	100 x 105cm
GL6058	100 x 205cm

## Pleated

Order code	Size
GL6059	20 x 105cm
GL6064	20 x 205cm
GL6059A	30 x 105cm
GL6064A	30 x 205cm
GL6060	40 x 105cm
GL6065	40 x 205cm
GL6061	60 x 105cm
GL6066	60 x 205cm
GL6062	80 x 105cm
GL6067	80 x 205cm
GL6063	100 x 105cm
GL6068	100 x 205cm

### Bolt On Skirt Bars

Available in 3 different lengths, these skirt bars can be secured to the edge of stage deck using the supplied nuts and bolts.

They come pre-finished with a strip of Velcro for use with the GT Stage Deck skirts.

The skirt bars may be inverted and used to create a kick rail above the stage deck to prevent chair legs from leaving the stage deck area.

Order code	Length
GL6046	470mm
GL6047	970mm
GL6048	1970mm



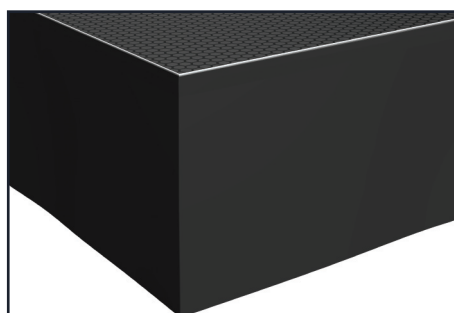
### Click On Skirt Bars

Available in 3 different lengths, these skirt bars can be quickly and easily clicked on to the edge of stage deck. They come pre-finished with a strip of Velcro for use with the GT Stage Deck skirts.

Order code	Length
GL6137	470mm
GL6138	970mm
GL6139	1970mm

## Pleated Wool Serge

Order code	Size
GL6121	20 x 105cm
GL6127	20 x 205cm
GL6122	30 x 105cm
GL6128	30 x 205cm
GL6123	40 x 105cm
GL6129	40 x 205cm
GL6124	60 x 105cm
GL6130	60 x 205cm
GL6125	80 x 105cm
GL6131	80 x 205cm
GL6126	100 x 105cm
GL6132	100 x 205cm



Straight



Pleated



Pleated Wool Serge

# Trolleys

## GT Stage Deck Vertical Trolley

Order code: GL6043

For transporting up to six 2 x 1m decks in vertical orientation, allowing movement through single doorways.

- Dimensions: 1200 x 2080 x 610mm
- Weight: 25kg



## GT Stage Deck Horizontal Trolley

Order code: GL6044

Holds up to fifteen 2 x 1m decks in horizontal orientation.

- Dimensions: 1021 x 2103 x 1010mm
- Weight: 24.2kg



## GT Stage Deck Handrail Trolley

Order code: GL6045

Holds up to twenty four 2 x 1m or forty eight 1 x 1m handrails.

- Dimensions: 1400 x 2103 x 1010mm
- Weight: 36kg



# Replacement Parts

## Handrail to handrail Connector

Order code: GL6041

- Clamp for connecting multiple handrails together
- Large wingnut fastener for tool free adjustment



## Replacement foot for modular stairs

Order code: GL6093



## Handrail Hand Knob and Nut

Order code: GL6094



## Leg Tightening Hand Knob

Order code: GL6076

- For use on the Stage Deck pressure cube



## Replacement Pressure Cube

Order code: GL6083



## Internal Underside Corner Plastic Skid

Order code: GL6082



## Round Plastic Leg Cap

Order code: GL6080



## Square Plastic Leg Cap

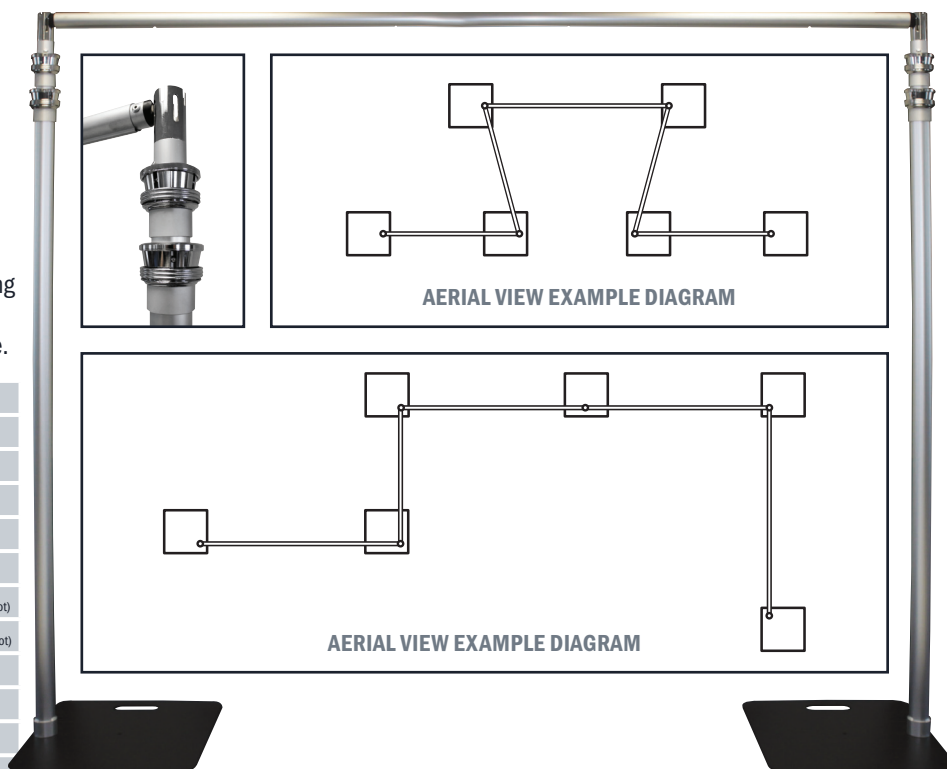
Order code: GL6081



# Curtain Call Pipe and Drape

The Curtain Call Pipe and Drape system comprises of 3 height adjustable, telescopic upright sections and 2 telescopic adjustable width sections, along with baseplates, enabling the easy creation of fully variable partitions, dividers and changing rooms within any space.

Order code	Version
GLCC50203	2.1m-3.6m Cross Bar
GLCC50201	1.3m-2.1m Cross Bar
GLCC50103	2.4m-6.0m Vertical
GLCC50102	1.8m-4.2m Vertical
GLCC50101	0.9m-1.5m Vertical
GLCC50402	450 x 450mm Black Base Plate (Requires Spigot)
GLCC50402W	450 x 450mm White Base Plate (Requires Spigot)
GLCC50401	Base Plate Spigot
GLCC50301	Double Drape Top Hat
GLCC50302	Top Hat
GLCC50201PJ	Cross Bar Repair Kit



Starcloths not included

## 12.5kg Stage Weight

Order code: ELUM310

### Features

- Convenient handle for ease of use
- Interlocking points for safety when stacking in multiples
- 29mm receiver designed to accept standard TV spigots
- Supplied individually



## Tank Trap

Order code: CLAM25

Tank Trap consisting of a 600mm square steel plate fitted with a 50mm receiver that features wing bolts to firmly secure aluminium or steel tubes in place. A cut out in the base allows compact stacking for transport and storage.

- Four holes allow permanent installation
- Dimensions: 600 x 600mm
- Weight: 16.4kg



## Aluminium Tubes

Suitable for lighting bars where only a single bar is required or for use with tank trap style bases.

- 3mm wall thickness
- 48mmØ

Order code	Version
CLAM26	2m
CLAM27	3m



**PROLIGHT**

**Concepts Group Ltd**

Exclusive UK Global Truss Distributor

Staging Catalogue 2018/19

All information was correct at the time of going to press. Due to our policy of continuous improvement, product specifications are subject to change without prior notice. Errors and omissions excepted. Copyright © 2018/19. Prolight Concepts Group Ltd. All rights reserved.

Tel 01254 704111 | [www.prolight.co.uk](http://www.prolight.co.uk)