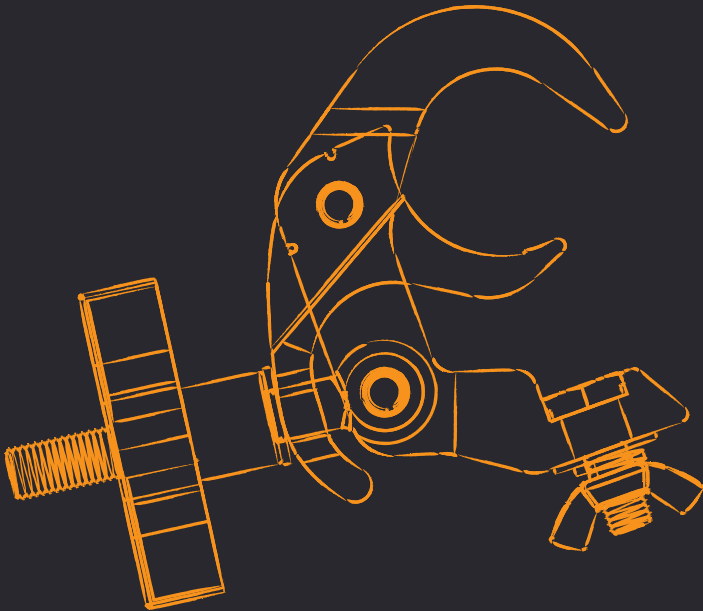




CLAMPS, COUPLERS & ACCESSORIES CATALOGUE



Exclusive distributor for Global Truss in the UK
www.prolight.co.uk

Clamps, Couplers and Accessories

For nearly two decades Global Truss has consistently produced high quality and reliable aluminium products and components; which have been certified by the independent testing institution TÜV Nord, and not only fulfil the norm values but outperform them.

The comprehensive product range has been constantly extended and expanded, and now includes truss, staging, couplers and clamps.

The Global Truss R & D department maintains the market leading position by constantly developing the latest ideas into finished products enhancing productions, TV sets and events worldwide.

We hold comprehensive stocks of over 300 product lines including the lightweight F14 and F24 series for decorative and retail environments, and industry standard F33/F34 290mm Truss through to the F44P range that is used for events, large scale exhibitions and rental applications.

To support this ever-expanding range we stock a whole host of clamps, couplers and accessories which are featured in this dedicated brochure.

Compatibility Chart

The chart below will feature on many of the product pages providing a quick reference truss compatibility guide. Any compatible truss configurations will have their relevant diagrams highlighted in orange.

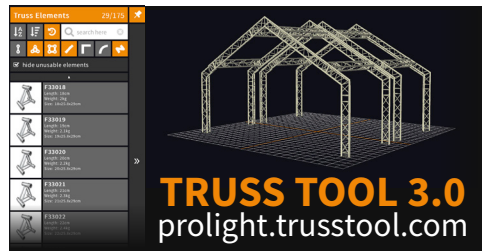
Compatibility											Toolbox link
F44	F44 P	F34	F34 PL	F24	F14	F33	F33 PL	F32 PL	F31	F31 PL	

Here To Help

We are available to assist you with the configuration of your truss ideas and suggest constructions as required.

Online Truss Tool

There is an on-line solution to help visualise your next truss project, with a superior 3D feature for the F33 and F34 series, including straight lengths, corners, circles, spacers and base plates. This simple and intuitive user interface will assist you in designing constructions in no time, and you can create a user account to save and load your designs. You can also make screenshots with just one click to send to your clients.

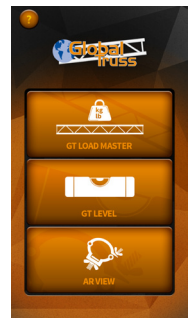


Toolbox App

Global Truss have produced a useful Toolbox app available for iOS or Android.

Once downloaded, simply open the app, click on the AR view and scan the marker which appears next to the compatibility chart when applicable.

This will then bring up a 3D 360° view of the product with the option to show full product specifications.



Trolleys and Stackers

This range of trolleys allow for the efficient movement of multiple lengths of truss and have locations for optional wheels (not included), whilst the stackable truss adaptors allow for the stacking of multiple layers of Truss. All are manufactured from premium birch ply.



Trolley for 2 x F34 (Predrilled for 2 optional wheels)

Order code: GL1281



Trolley for 2 x F34 (Predrilled for 3 optional wheels)

Order code:
GL1282



Trolley for 2 x F34 (Predrilled for 4 optional wheels)

Order code:
GL1283



Trolley for 4 x F34 or 3 x F44 (Predrilled for 2 optional wheels)

Order code:
GL1291



Trolley for 4 x F34 or 3 x F44 (Predrilled for 4 optional wheels)

Order code:
GL1292



Stackable Truss Adaptor for 2 x F34

Order code: GL1280

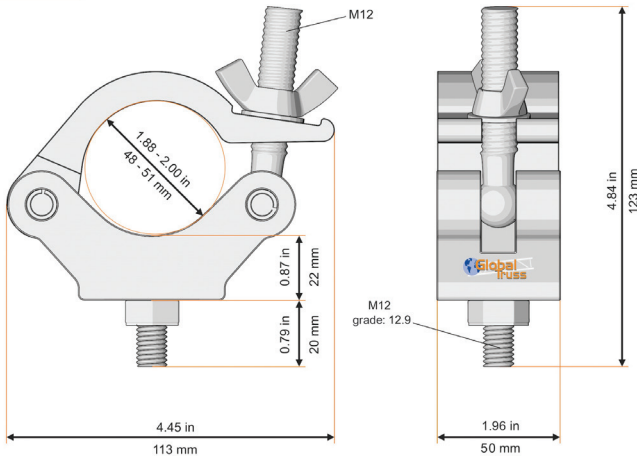
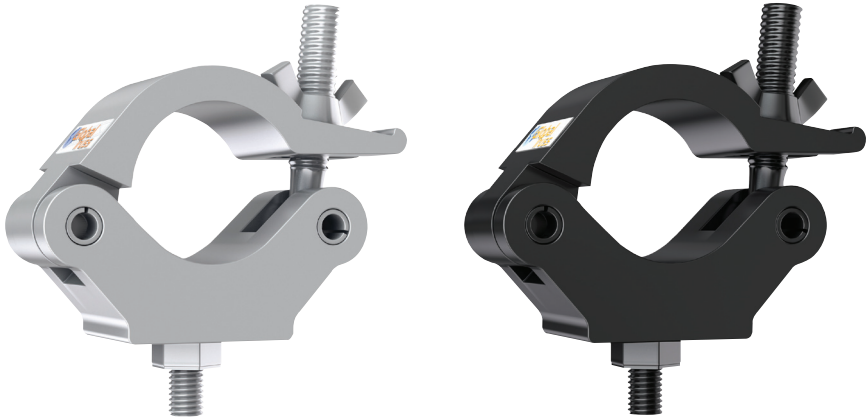
Stackable Truss Adaptor for 4 x F34 or 3 x F44

Order code: GL1290

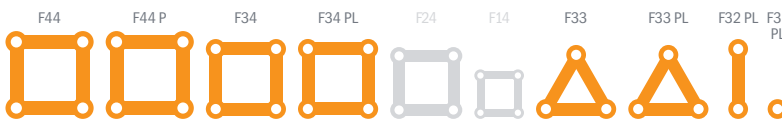


Half Coupler - 750kg

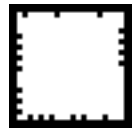
Order codes:
 GL3021 - Silver
 GL3021B - Black



Compatibility



Toolbox link



Half Coupler

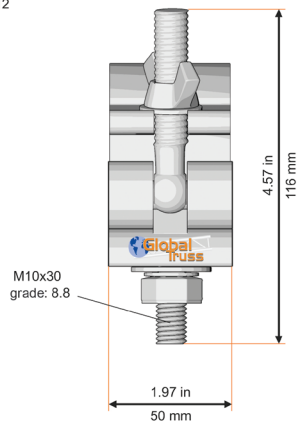
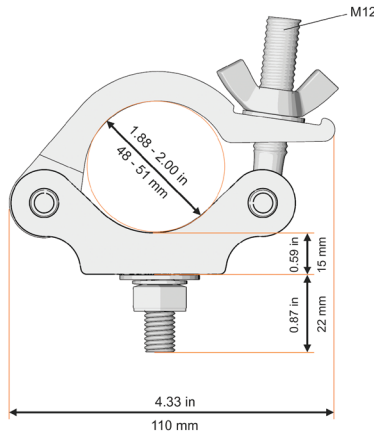
Order codes:

GL3007 - Silver

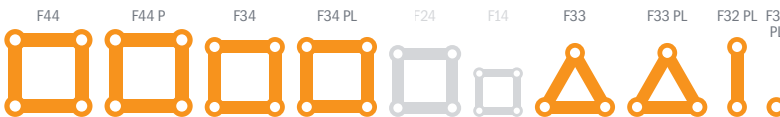
GL3007B - Black

GL3007Z - Silver (HEX Head Bolt)

GL3007ZB - Black (HEX Head Bolt)



Compatibility

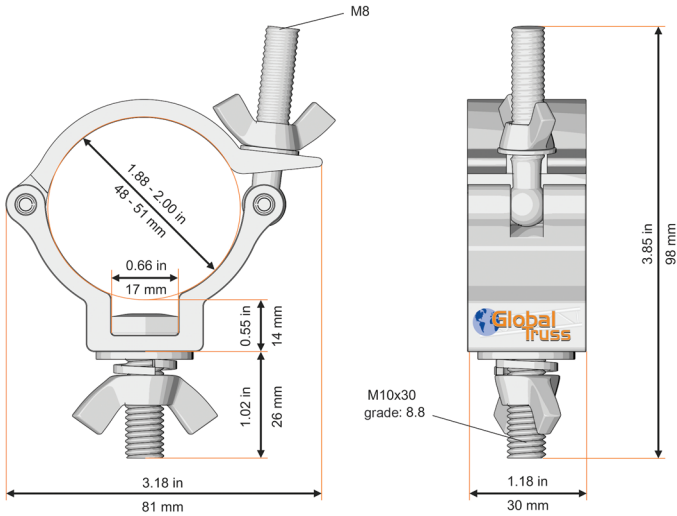


Toolbox link

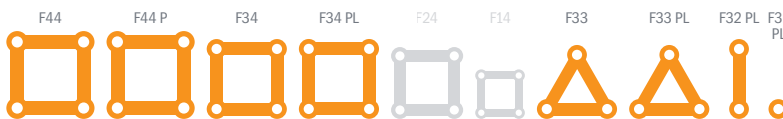


Narrow Half Coupler

Order codes:
 GL3006 - Silver
 GL3006A - Black



Compatibility



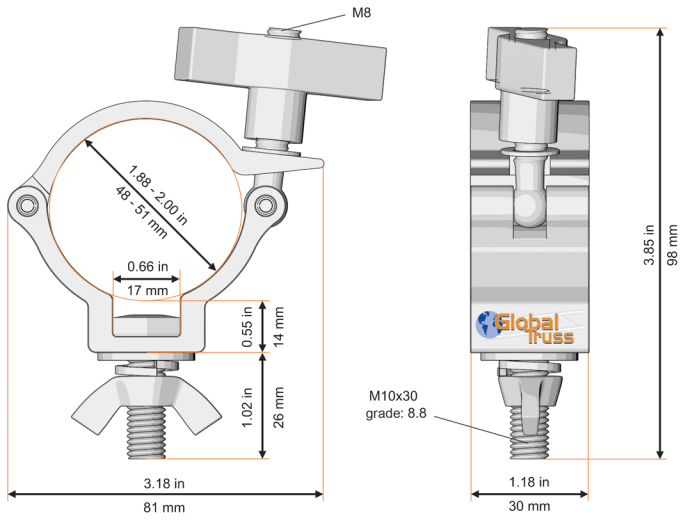
Toolbox link



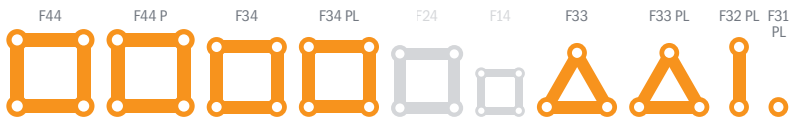
Pro Half Coupler

Order codes:
 GL3008 - Silver
 GL3008B - Black

SWL
100kg



Compatibility

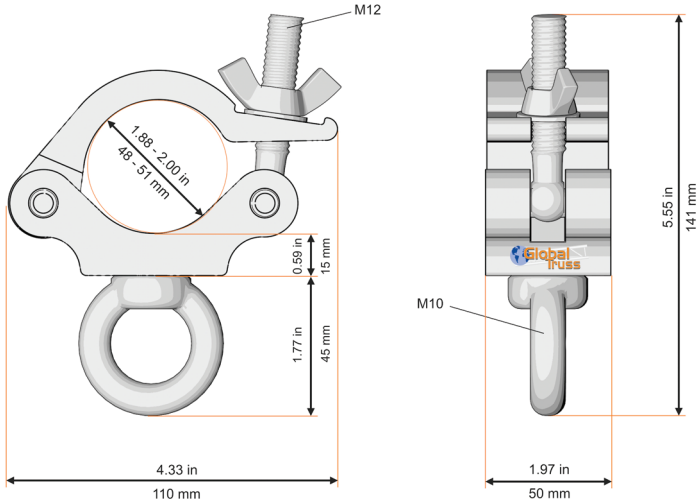


Toolbox link

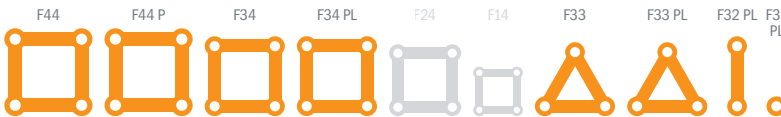


Coupler with Eye Nut

Order codes:
 GL3013 - Silver
 GL3013B - Black



Compatibility



Toolbox link



Half Coupler to Half Conical

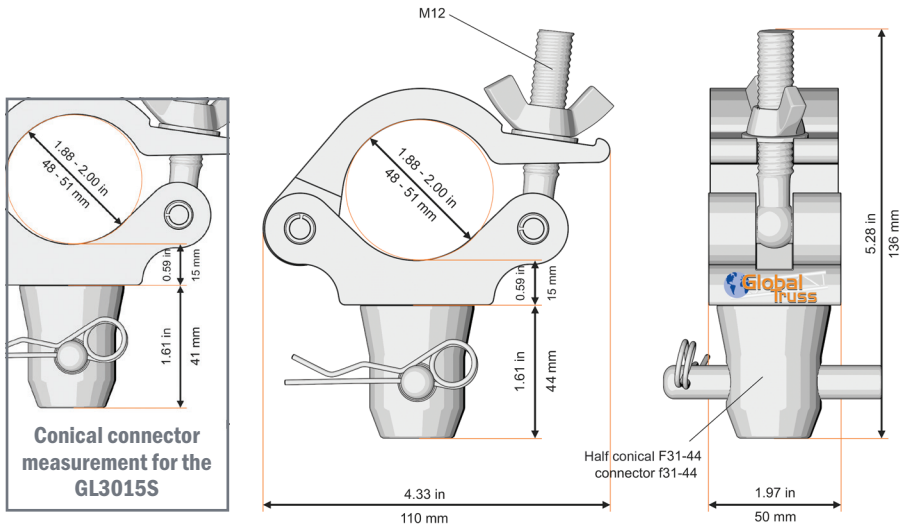
Order codes:

GL3015 - Silver PL

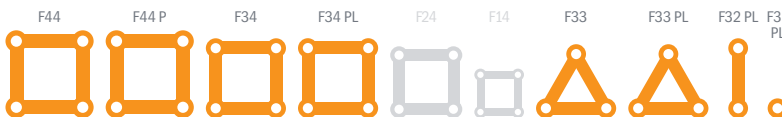
GL3015B - Black PL

GL3015S - Silver Standard

SWL
500kg



Compatibility

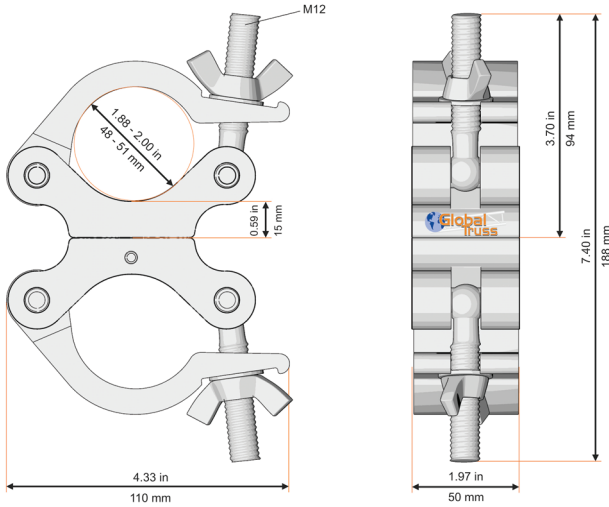


Toolbox link

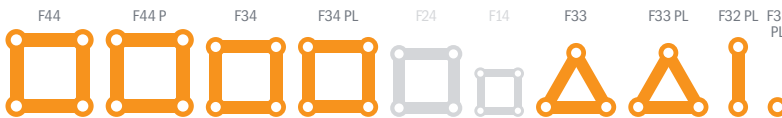


Swivel Coupler

Order codes:
 GL3005 - Silver
 GL3005B - Black



Compatibility



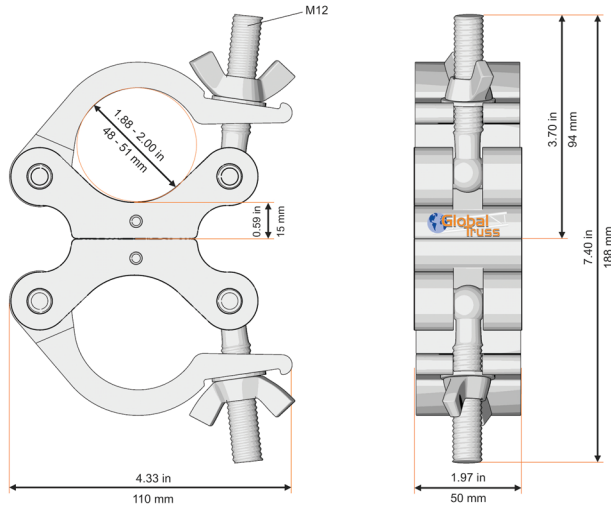
Toolbox link



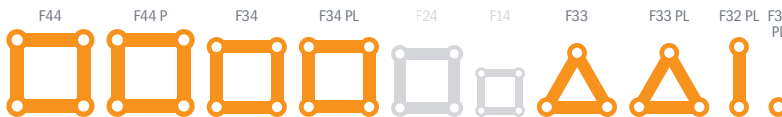
Fixed Swivel Coupler 90°

Order codes:
 GL3022 - Silver
 GL3023 - Black

SWL
500kg



Compatibility



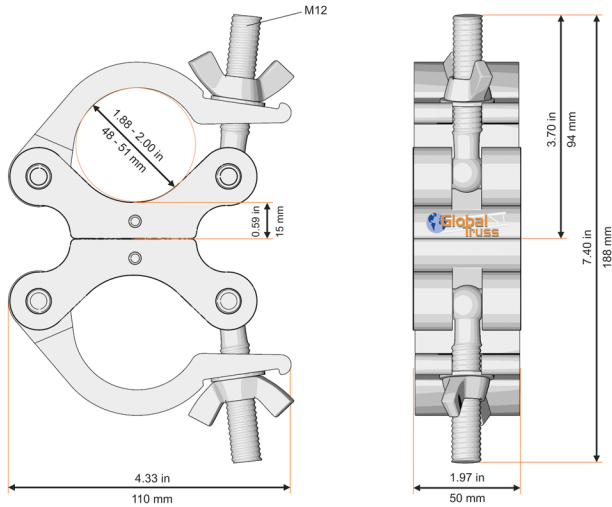
Toolbox link



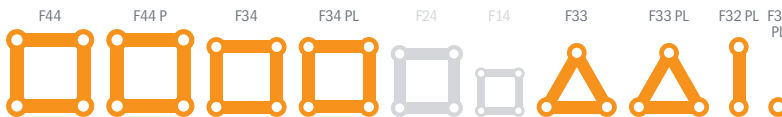
Fixed Parallel Swivel Coupler

Order codes:
GL3022A - Silver
GL3023A - Black

SWL
500kg



Compatibility



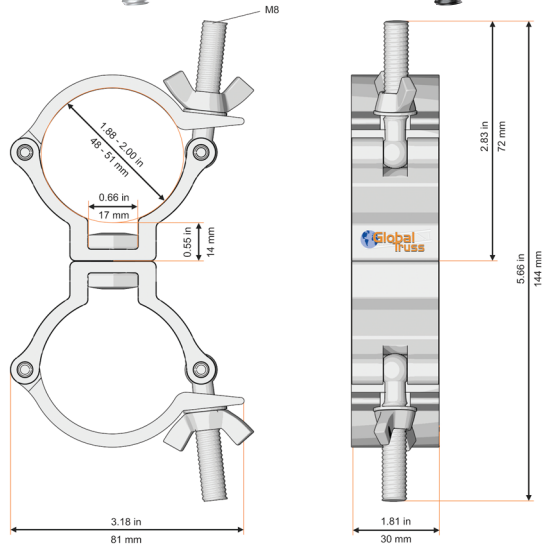
Toolbox link



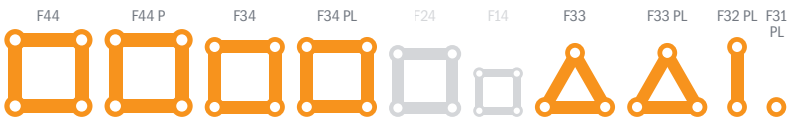
Narrow Swivel Coupler

Order codes:
 GL3011 - Silver
 GL3011B - Black

SWL
100kg



Compatibility



Toolbox link



Self Locking Easy Clamp

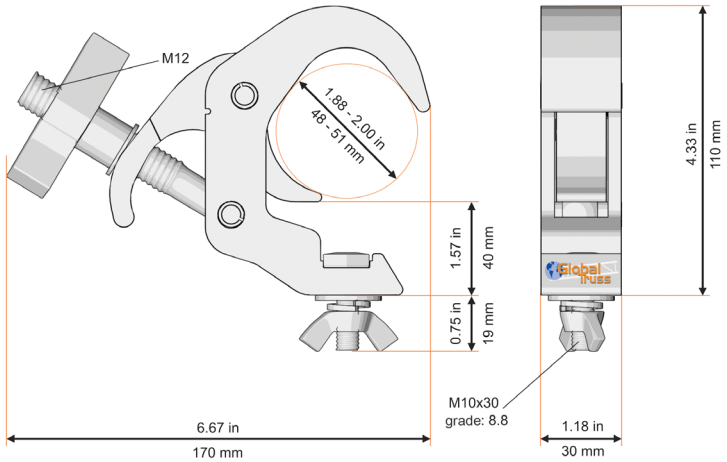
Order codes:

GL3010 - Silver

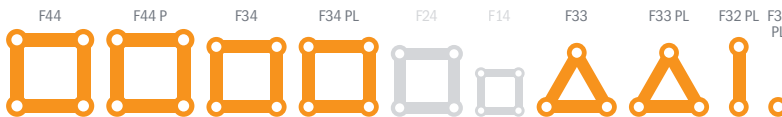
GL3018 - Black

GL3010A - Silver 50mm Wide

GL3010B - Black 50mm Wide



Compatibility



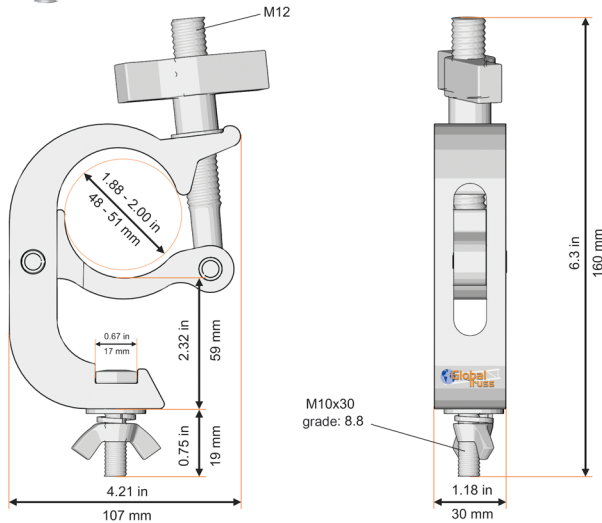
Toolbox link



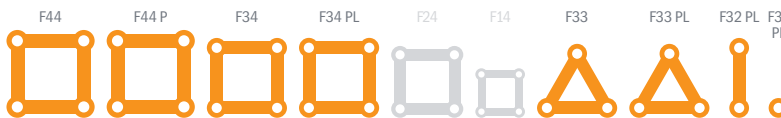
Self Locking Truss Clamp

Order codes:
 GL3016 - Silver
 GL3017 - Black

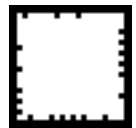
SWL
250kg



Compatibility



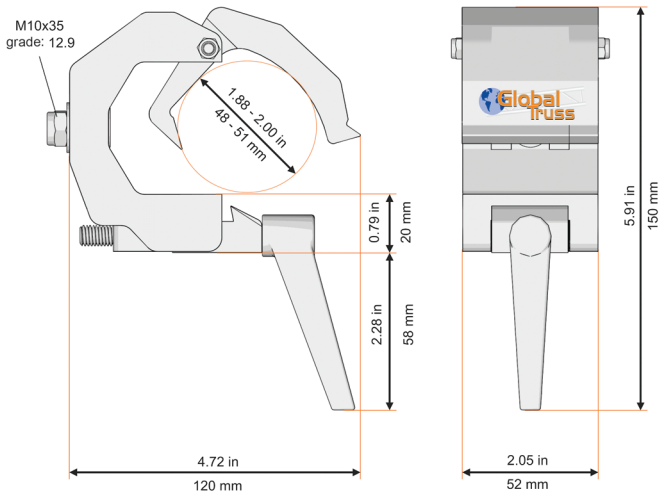
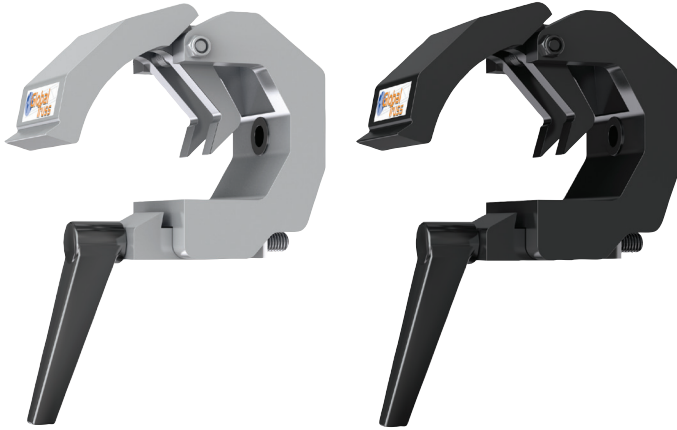
Toolbox link



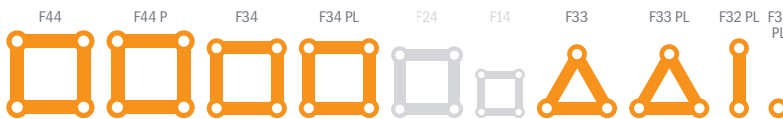
Smart Coupler

Order codes:
 GL3019 - Silver
 GL3020 - Black

SWL
50kg



Compatibility



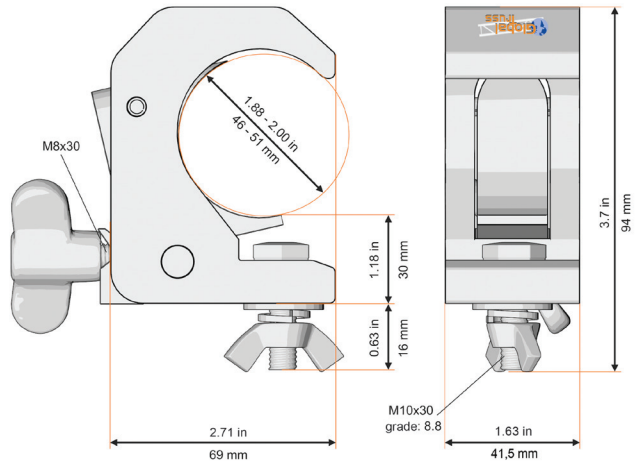
Toolbox link



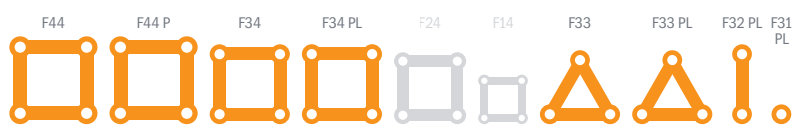
Smart Hook Clamp

Order codes:
 GL3031 - Silver
 GL3031B - Black

SWL
100kg



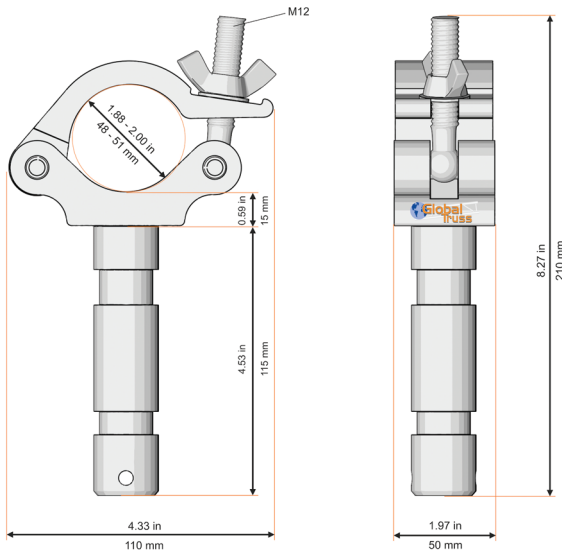
Compatibility



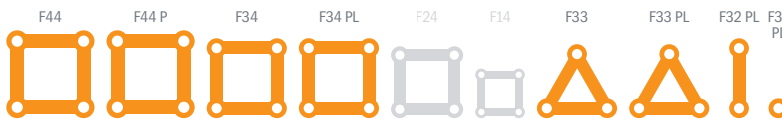
50mm Half Coupler with 28mm Spigot (Big Ben)

Order code: GL3009

SWL
500kg



Compatibility



Toolbox link



28mm Spigot and Receiver (Accepts Half Coupler)

SWL
250kg

Order codes:

GLCC541A - Silver

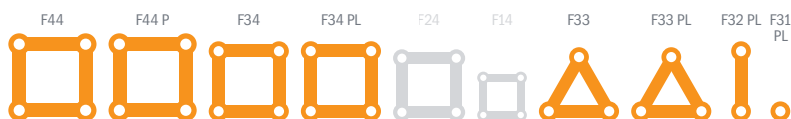
GLCC541AB - Black

A 28mm spigot receiver designed to accept the included spigot (spud).

This receiver when used with a half coupler allows the rigging of fixtures, with a 28mm spigot, on to truss or tube.



Compatibility



28mm Spigot

Order code: GL3014

This aluminium 28mm spigot (spud) is supplied with an M12 bolt and washers to attach the luminaire.

- Strong die-cast aluminium
- M12 Thread
- Bolt included



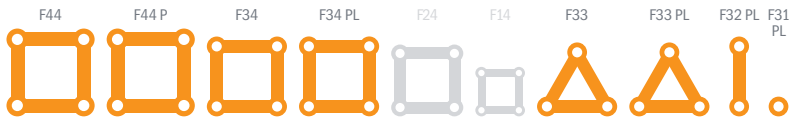
135° Half Coupler Exhibition Clamp

Order code: GL0057

SWL
500kg



Compatibility



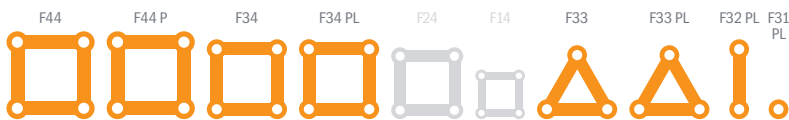
90° Half Coupler Exhibition Clamp

Order code: GL0058

SWL
500kg



Compatibility



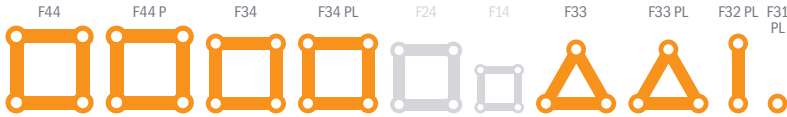
Side Entry Half Coupler 30mm Wide

Order code: GL0056



**SWL
300kg**

Compatibility



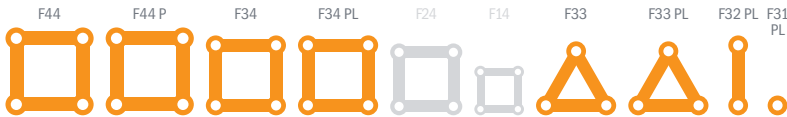
Side Entry Half Coupler 50mm Wide

Order code: GL0056A



**SWL
300kg**

Compatibility



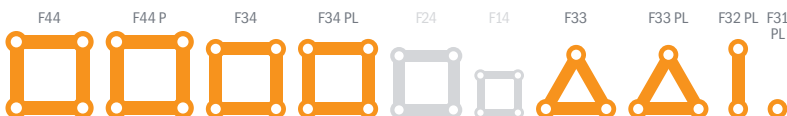
C Clamp

Order code: GL3024



**SWL
100kg**

Compatibility



Hook Clamp

Order codes:
GL3025 - Silver
GL3026 - Black

SWL
15kg



Compatibility

F44

F44 P

F34

F34 PL

F24

F14

F33

F33 PL

F32 PL F31 PL



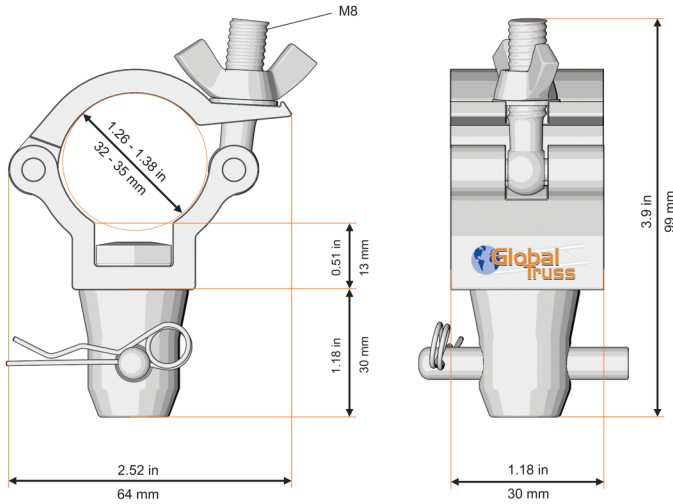
MODULAR SYSTEM

- AVAILABLE NOW -
Visit www.prolight.co.uk
for full details

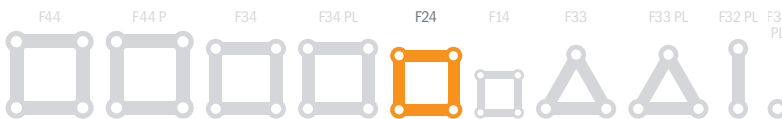
F24 Half Coupler to Half Conical

Order code: GL245034

SWL
35kg



Compatibility



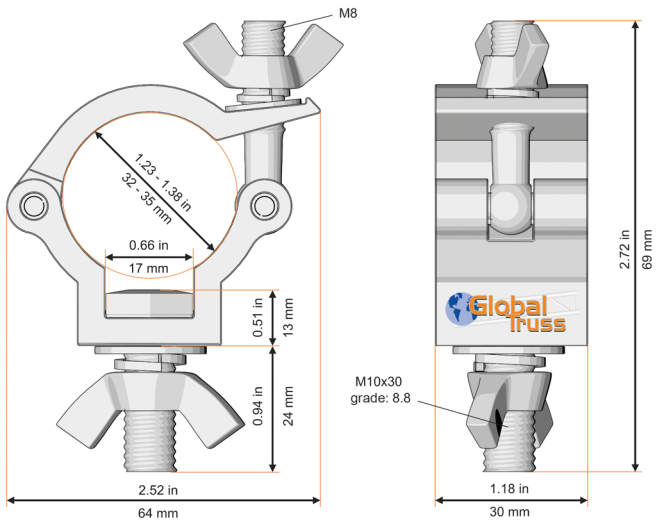
Toolbox link



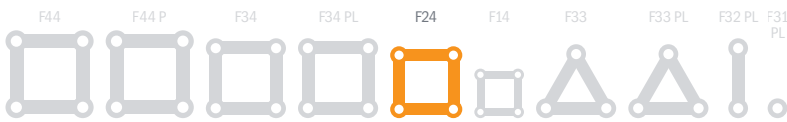
F24 Half Coupler (32-35mm)

Order code: CLAM11

SWL
75kg



Compatibility



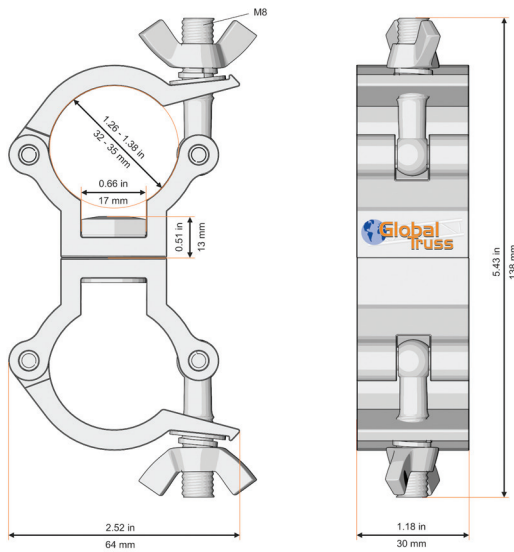
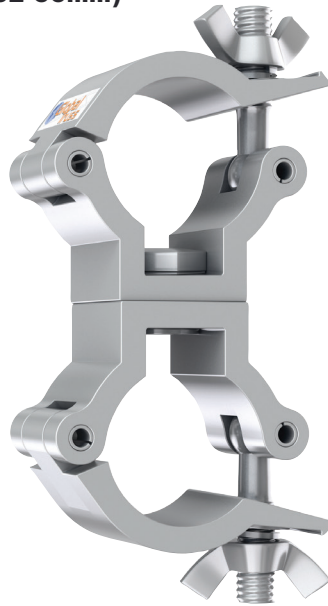
Toolbox link



F24 Swivel Coupler (32-35mm)

Order code: GL5036D

SWL
35kg



Compatibility



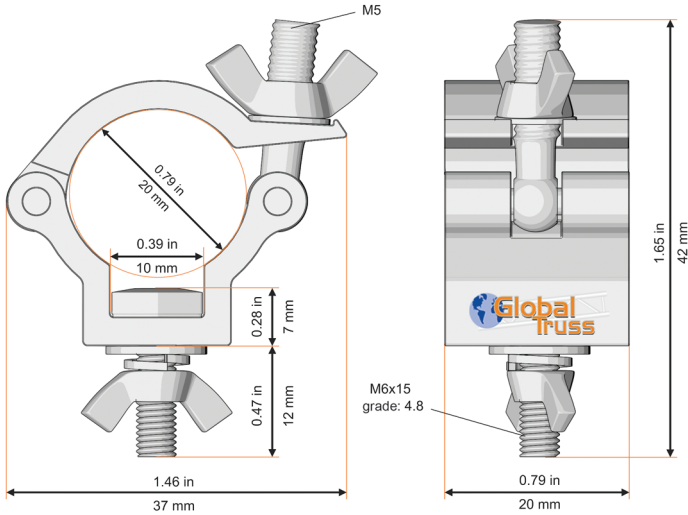
Toolbox link



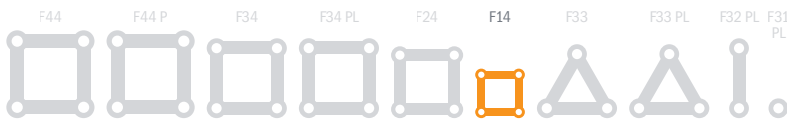
F14 Half Coupler

Order code: GL14TA

SWL
30kg



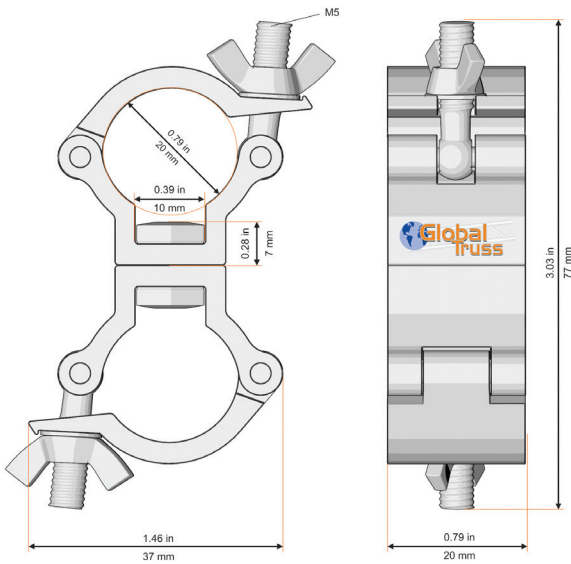
Compatibility



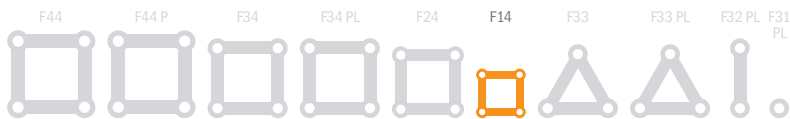
F14 Swivel Coupler

Order code: GL14TAD

SWL
30kg



Compatibility



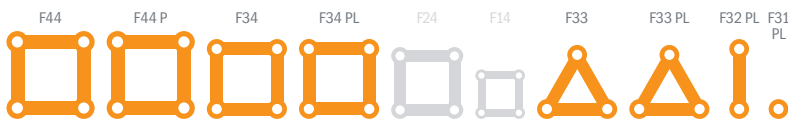
Boom Arms

These boom arms are ideal for rigging luminaires and a variety of other items horizontally or vertically from truss. They also complement our Global Truss modular drop arm system, offering the set-designer and rental company rigging and mounting solutions without compromise.

Stage Black	Silver	Version	Arm length	SWL
GLZC13F3	GLZC13FS3	0.25m	200mm	75kg
GLZC13F1	GLZC13FS1	0.5m	450mm	50kg
GLZC13F2	GLZC13FS2	0.75m	700mm	35kg
GLZC13F	GLZC13FS	1.0m	950mm	25kg



Compatibility



Quick Release Claw

A series of fixed length support bars suitable for horizontal spans between lengths of truss. Commonly used for bridging spans on roof structures as support for the roof canvas, the CLAW series features a quick release trigger on each end.

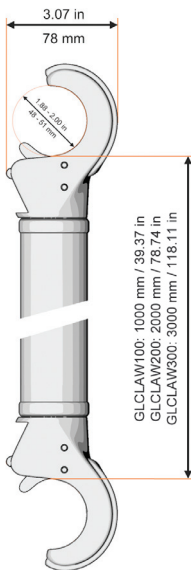


Order codes:

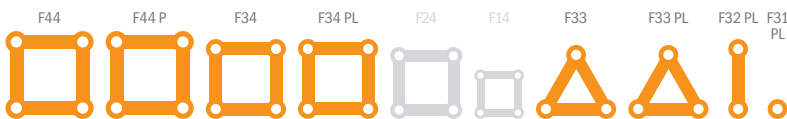
GLCLAW100 - 1.0m

GLCLAW200 - 2.0m

GLCLAW300 - 3.0m



Compatibility



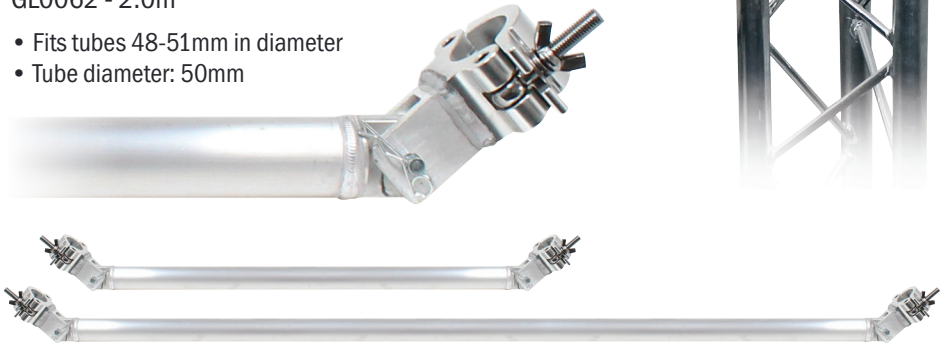
5050 Corner Braces with Half Coupler

Order codes:

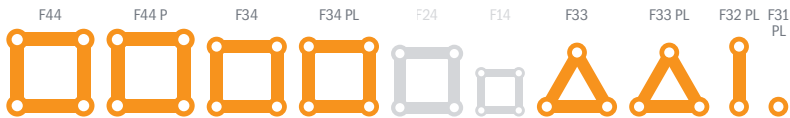
GL0061 - 1.0m

GL0062 - 2.0m

- Fits tubes 48-51mm in diameter
- Tube diameter: 50mm



Compatibility



Wall Bracket

Order code: GLLJ17

Wall Bracket suitable
for fixing F32/F33/F34
Standard or PL series
truss to walls.

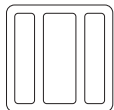


Heavy Duty Truss Hanging Adaptor

Order code: GL0055

This heavy duty extruded hanging truss adaptor is supplied with two 50mm half couplers and an eye to accommodate hooks.

- F32, F33, F34 and F44 truss compatible
- SWL: 250kg



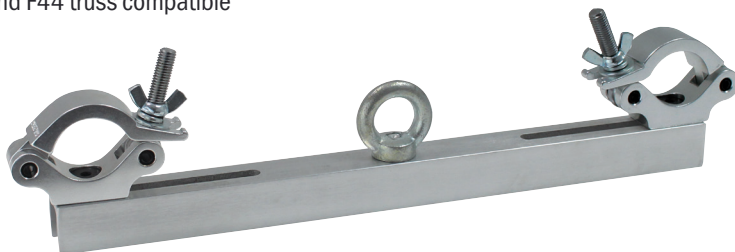
Cross Section

Medium Duty Adjustable Truss Hanging Adaptor

Order code: GLST5039B

This medium duty extruded truss adaptor is supplied with two 50mm half couplers and an eye to accommodate hooks. Half couplers can slide, secured by Nylock nuts and have variable spacing between 200mm and 400mm centres to accept most brands of truss.

- F32, F33, F34 and F44 truss compatible
- SWL: 100kg



Cross Section

Adjustable Truss Adaptor with 28mm Spigot

Order code: GL3003

- Supports truss from 25-40cm
- F33 and F34 truss compatible
- 28mm spigot



Cross Section

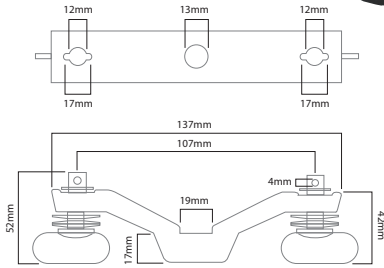
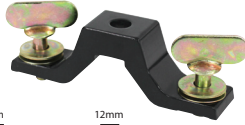
Omega Clamps

Omega clamps provide a quick and convenient way to attach G clamps and couplers to many brands of lighting fixtures.

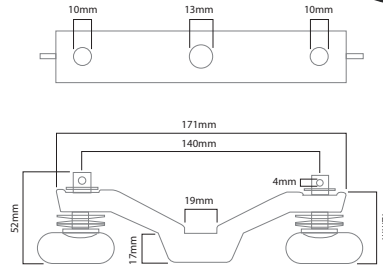
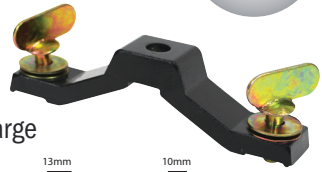
- Cast aluminium
- ¼-turn “OMEGA” quick-lock connector system

**SWL
50kg**

Order code:
CLAM21 - Small



Order code:
CLAM22 - Large

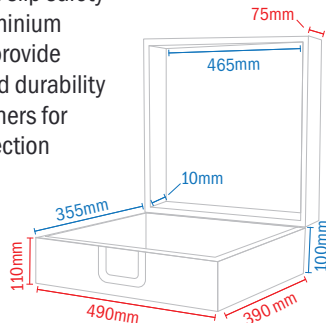


Truss Conical Flight Case

Order code: ELUM362

This professional case holds 24 conicals, 48 bullet pins, R clips and mallet or other accessories.

- Internal dimensions: 100 x 465 x 355mm
- External dimensions: 185 x 490 x 390mm
- Interlocking tongue and groove edging ensuring that all lids and covers stay secure even in an impact and form a fully dust proof seal
- 9mm hexaboard plywood panels
- Fitted with metal tour label dish and label
- Heavy duty, industrial grade handles and butterfly catches
- Handle features heavy duty rubber grips for comfort and non slip safety
- Riveted 35mm aluminium profile edge strips provide rigidity, strength and durability
- Heavy duty ball corners for added impact protection



Contents of case
not included

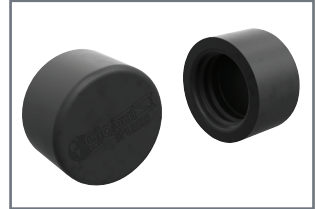
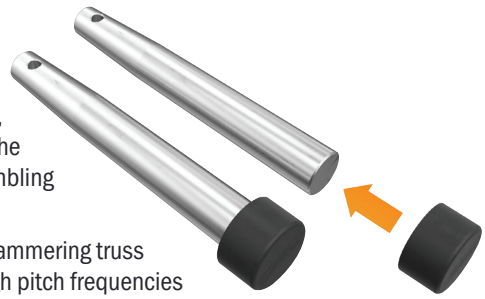
The Silencer (Bullet Pin Cap)

Order code: GLSI01

Global Truss has developed the truss Silencer, a rubber damper that is simply pushed on to the end of a truss pin to reduce noise when assembling truss structures.

The Silencer will decrease the volume when hammering truss pins by around 50% whilst dampening the high pitch frequencies significantly. A special rubber blend is being used in production which makes the Silencer flexible yet hard enough to transfer the force of the hammer effectively, and whilst preserving the material of the pin and the copper hammer.

The Silencer has been designed to be left on the truss pins, whilst fitted to the truss, providing protection not only to the truss but also the surface it is sitting upon. Another added feature is that it offers camouflage when silver pins are used on black truss.



Truss Copper Hammer

Order code: GL3030A

Exclusive to Global Truss, this handy copper hammer with conical shaped head is ideal for riggers everywhere.

- Copper hammer for assembly of truss structures



Truss Tool

Order code: GL3030

Exclusive to Global Truss, this truss tool makes connection and dismantling easy.

- The tool can either squeeze together or force apart 2 joined pieces of trussing to make the fitting of the conical connectors simple



Truss Cleaner - 500ml Bottle

Order code: FLUI40

Protect your truss and keep it looking like new with this professional aluminium truss cleaner.

- Water soluble liquid
- For use with any aluminium truss



PL Series Accessories

Half Connector for Base Plate

Order code: GL3000



M12 Half Conical for Box Corner

Order code: GL3002



Conical Connector with Pins and R Clips

Order code: GL3001



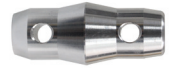
Half Conical Terminal End

Order code: GL0053



Conical Adaptor PL to Standard Truss

Order code: GL3040



Bullet Pin and R Clip

Order code: GL3001B



Bullet Pin with Nylon Locking Nut

Order code: GL3001A



R Clip

Order code: GL3001C



35mm Speaker Adaptor Conical

Order code: GL3004



Adjustable Spacer 105-170mm

Order code: GL0052



210mm Spacer

Order codes:
GL0051 - Silver
GL0051B - Black



105mm Spacer

Order codes:
GL0050 - Silver
GL0050B - Black



Conical Receiver Socket

Order code: GL0054



Left Hinge Conical

Order code: GL3027



Right Hinge Conical

Order code: GL3028



Half Conical to Shouldered Eyebolt

Order code: GLDMS129F



Connection Dice

Order code: GL0040

- Thread size: M10



M10 Half Conical for Connection Dice

Order code: GL0041



Ground Support Accessories

M10 Standard Half Conical for GLF34SLEEVE and GLF34TOP

Order code:
GL0042



M10 PL Half Conical for GLF34SLEEVEPL and GLF34TOPPL

Order code:
GL0043



Barrel Pin and R Clip for Ground Support and Corner Braces

Order code:
GL0045



Standard Series Accessories

Standard Half Conical for Base Plate

Order code: GL5003



Standard Half Conical for Box Corner

Order code: GLF34BOXD



Standard Conical with Pins and R Clips

Order code: GL5002



Standard Bullet Pin and R Clip

Order code: GL5002B



F24 Series Accessories

F24 Half Conical for Base Plate

Order code: GL24BASECON



F24 Half Conical for Box Corner

Order code: GL24BOXCON



F24 Conical with Pins and R Clips

Order code: GL24CON



F24 Bullet Pin and R Clip

Order code: GL24PIN



F14 Series Accessories

F14 Half Conical for Box Corner

Order code:
GL14BOXCON



F14 Conical with Pins and R Clips

Order code:
GL14CON



F14 Spacer 170mm

Order code:
GL14SPA170



Replacement T-Knobs

M8 T-Knob Silver

Order code: GL3008HW



M8 T-Knob Black

Order code: GL3008BHW



M12 T-Knob Silver

Order code: GL3010HW



M12 T-Knob Black

Order code: GL3018HW





Clamps, Couplers & Accessories Catalogue 2018 | Issue 01

All information was correct at the time of going to press. Due to our policy of continuous improvement, product specifications are subject to change without prior notice. Errors and omissions excepted. Copyright © 2018. Prolight Concepts Group Ltd. All rights reserved.

Tel 01254 704111 | www.prolight.co.uk