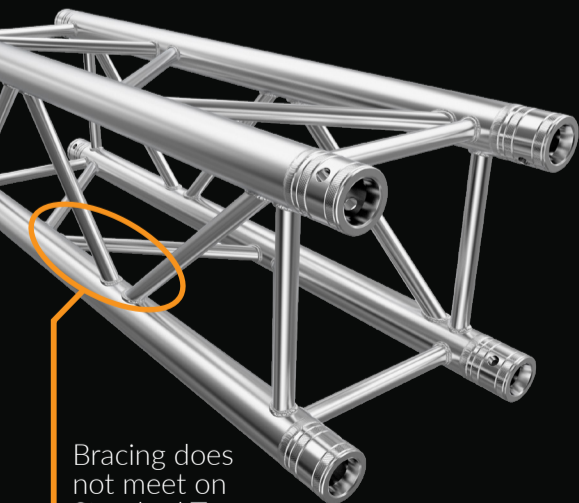
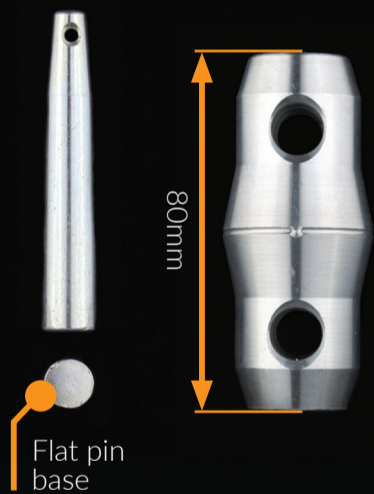


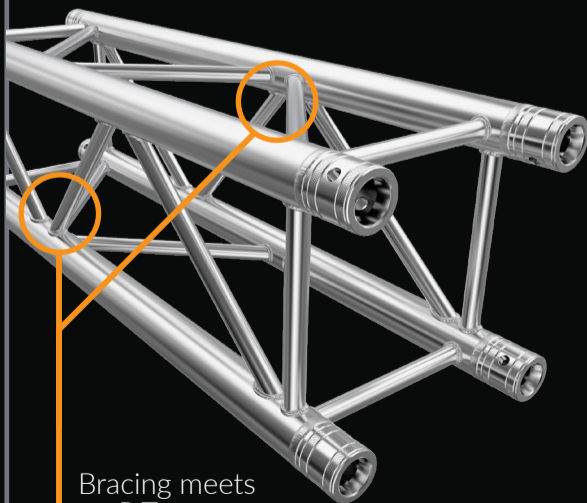
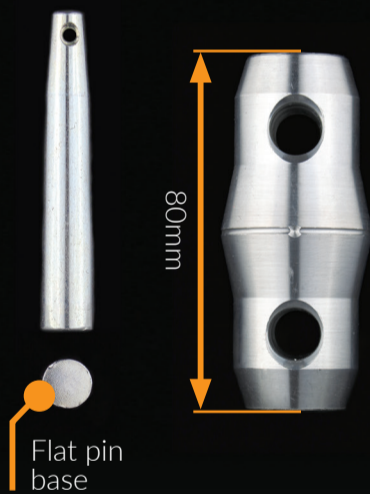
Standard, P and PL Truss...

What's the difference?

Standard Truss



P Truss



PL Truss

