

CONVEYANCE SOLUTIONS

FLEXCO®



Mi's Splice Workstation and Productivity Pack provides a **75% time saving and an estimated \$100,000 cost savings per year** by combining all the necessary tools, ergonomics and accessories into one workstation.



INCREASED EFFICIENCY

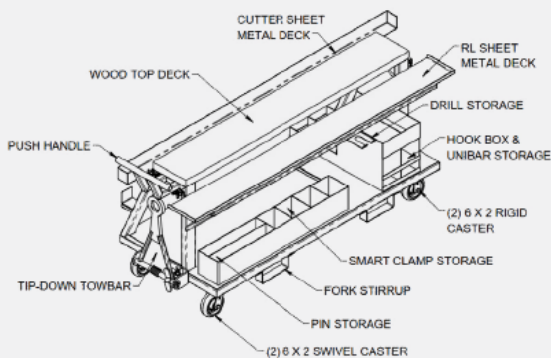
Splicing a conveyor belt can be a challenge. You must gather the needed tools, often stored in many places, and make multiple trips to your equipment before starting the splice. That's why Mi Conveyance Solutions partnered with Flexco to offer an all-in-one solution. Now you have an ergonomic purpose-built platform to perform all your fabrication from, a mix of improved fatigue-reducing equipment to do the work with, and a 5S-principle workstation to store all the equipment on. Today you can bring your belt to the workstation for the best results possible.

ALL-IN-ONE STORAGE CENTER

Exclusively sold by Motion, the Flexco Splice Workstation and Productivity Pack brings a workstation, a 5S storage area, and a mobile cart – all under one part number. Available in 36" and 60" sizes, the workstation comes with all the improved splicing tools and accessories required for the task, including the gold class roller lacer, light-duty cutter, and laser belt square. Everything to complete your conveyor belt splice is now at your fingertips whenever and wherever you need it.

SPLICE CART AND PRODUCTIVITY PACK SPECIFICATIONS

Size	36"	60"
Mi Item #	13557154	13557160
Includes	<ul style="list-style-type: none"> • SmartClamp Set • Laser Belt Square • 845836 Belt Cutter • 36" Gold Class Roller Lacer • #36 Face Strip • #1 Face Strip • #2-4 Face Strip • APC-1 Pin Cutter • Unibar Cutter • Lacing Accessory Kit • Silver Pen • BN-1 Belt Nippers • Small Cloth Tool Bag 	<ul style="list-style-type: none"> • SmartClamp Set • Laser Belt Square • 845860 Belt Cutter • 60" Gold Class Roller Lacer • #36 Face Strip • #1 Face Strip • #2-4 Face Strip • APC-1 Pin Cutter • Unibar Cutter • Lacing Accessory Kit • Silver Pen • BN-1 Belt Nippers • Small Cloth Tool Bag



Partners. The Best Part of All.®

Mi CONVEYANCE SOLUTIONS focuses on customized, value-added services and capabilities designed to support your OEM and MRO needs anywhere there are moving parts or fluid conveyance. With specialists available for field service solutions and parts expertise throughout the country, we're ready whenever and wherever you need us.

PRODUCTS – Lightweight Belting, Heavyweight Belting, Belt Fasteners and Lacing, Belt Scrapers and Accessories, Sidewall Belts, Industrial and Hydraulic Hose, Hose Adapters and Accessories, Hose Fittings and Couplings, Gaskets, Seals, Cut Rubber Parts, Custom Urethane Parts **and MORE!**



Mi CONVEYANCE SOLUTIONS

MiConveyanceSolutions.com