

Technical Information

External Gear Pump

GD5 Series



Revision history

Table of revisions

Date	Changed	Rev
September 2022	Updated motor sectional view	0202
September 2022	Updated technical content	0201
September 2022	First edition	0101

Contents

General information

GD5 series overview.....	4
Features and benefits.....	5

Hydraulic system design calculations

Based on SI units / Based on US units.....	6
Units and conversions.....	7

Parts nomenclature

Model code

GD5 single pump model code.....	9
GD5 double pump model code.....	11

Specifications

Technical data.....	13
---------------------	----

Performance curves

Flow, speed, and power performance.....	14
---	----

Installation

GD5 pump installation.....	16
Port availability.....	17

Dimensions

Mounting flange.....	18
SAE "A" 2 bolt mounting flange.....	18
European rectangular 4 bolt mounting flange.....	18
German rectangular 4 bolt mounting flange.....	19
Input shaft.....	20
Taper 1:8 input shaft.....	20
Straight keyed input shaft with Ø15.88.....	20
Straight keyed input shaft with Ø17.46.....	21
Straight keyed shaft with Ø19.05.....	21
9 teeth shaft.....	22
11 teeth shaft.....	22
Ports.....	23
SAE straight thread O-ring ports.....	23
European flanged ports - 4 bolts.....	23
German flanged ports - 4 bolts.....	24
BSP straight thread ports.....	24
Metric straight thread ports (ISO 6149).....	24

Installation and maintenance

Mounting.....	25
Rotation.....	25
Drives.....	25
Fluids.....	25
Fluid reservoir.....	25
Lines.....	25
Filtration.....	25
Starting up.....	26
Periodic checks.....	26

Spare parts

Single pump seal kits.....	27
Double pump with sectional plate seal kits.....	27
Double pump seal kits.....	28

General information

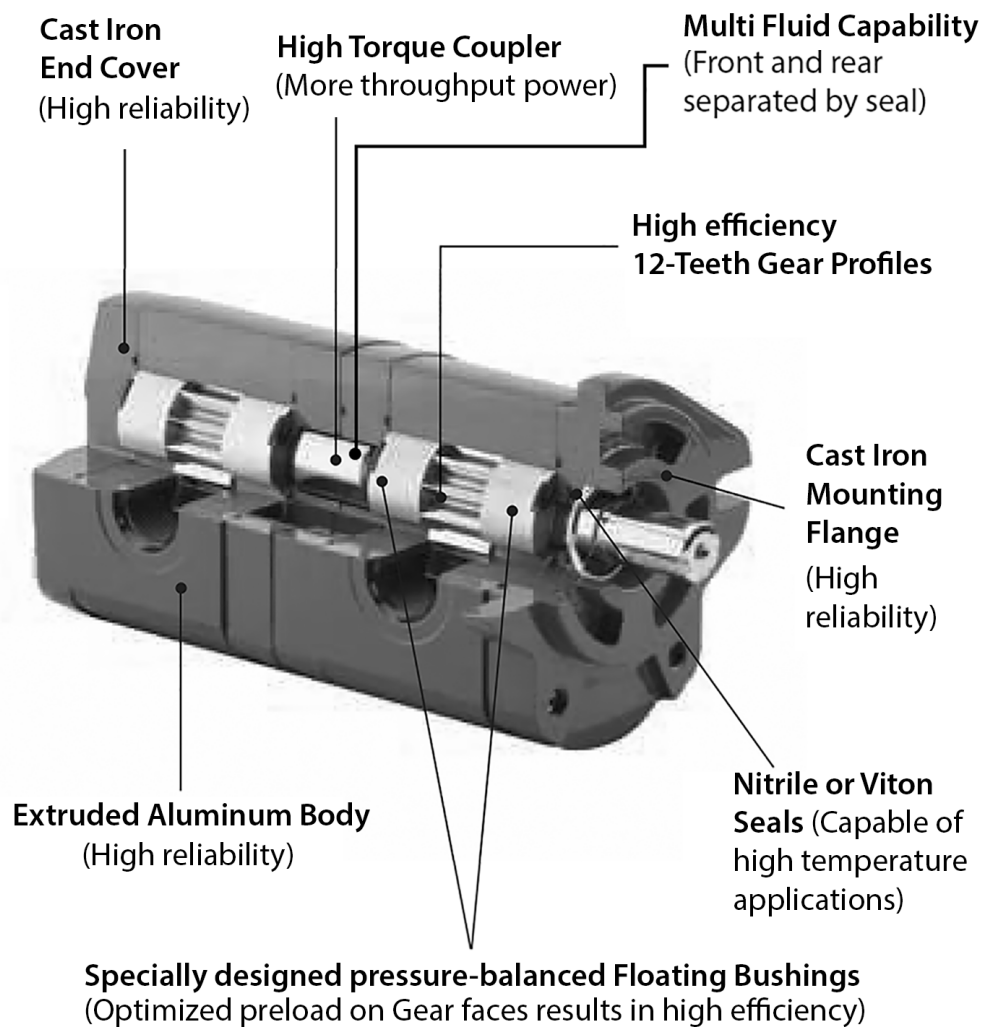
GD5 series overview

Danfoss Gear Products combine state of the art innovation and manufacturing processes. These products are designed to satisfy global customer requirements for higher pressure, long life and full range of options and features.

GD5 gear pump is a floating bushing, pressure balanced design with a high strength extruded aluminum body, cast iron end cover and cast iron mounting flange.

The wide choice of shafts, flanges and ports in compliance with all international standards (SAE, DIN, ISO and European). Displacements from 5.1cm³/rev (0.31in³/rev) to 24.0 cm³/rev (1.46 in³/rev). Maximum pressure up to 250 bar (3625 psi).Maximum speed up to 4000 RPM.

GD5 sectional view



General information

GD5 features and benefits

Features

- 12 Teeth shaft
- Designed for high efficiency
- Continuous operating pressures up to 240 bar (3480 psi) on cast iron end cover
- Maximum operating speed of 4000 RPM
- Displacements from 5.1 cm³/rev (0.31 in³/rev) to 24.0 cm³/rev (1.46 in³/rev)
- SAE, European, DIN and ISO flange, porting styles and shaft options
- Optional sectional sealing for double pumps
- Built to ISO 9001 standards

Benefits

- Wide array of features for design flexibility
- Optimized pre-load on gear faces resulting in higher efficiencies
- Multi-fluid capability

Hydraulic system design calculations

Based on SI units / Based on US units

Use these formulae to determine the nominal pump size for a specific application.

Based on SI units

Output flow $Q = \frac{Vg \cdot n \cdot \eta_v}{1000} \quad \text{l/min}$

Input torque $M = \frac{Vg \cdot \Delta p}{20 \cdot \pi \cdot \eta_m} \quad \text{N}\cdot\text{m}$

Input power $P = \frac{M \cdot n}{9550} = \frac{Q \cdot \Delta p}{600 \cdot \eta_t} \quad \text{kW}$

Based on US units

Output flow $Q = \frac{Vg \cdot n \cdot \eta_v}{231} \quad \text{[US gal/min]}$

Input torque $M = \frac{Vg \cdot \Delta p}{2 \cdot \pi \cdot \eta_m} \quad \text{[lbf}\cdot\text{in]}$

Input power $P = \frac{M \cdot n}{63.025} = \frac{Q \cdot \Delta p}{1714 \cdot \eta_t} \quad \text{[hp]}$

Variables: *SI units [US units]*

Vg =	Displacement per rev.	cm ³ /rev [in ³ /rev]
p _{HD} =	Outlet pressure	bar [psi]
p _{ND} =	Inlet pressure	bar [psi]
Δp =	p _{HD} - p _{ND}	bar [psi]
n =	Speed	min ⁻¹ (rpm)
η _v =	Volumetric efficiency	
η _m =	Mechanical (torque) efficiency	
η _t =	Overall efficiency (η _v · η _m)	

Hydraulic system design calculations

Units and conversions

Basic units

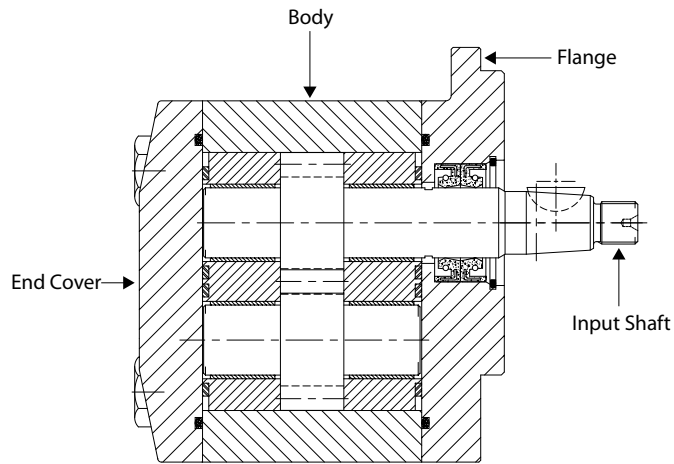
bar	10 Newtons per square centimeter (cm ²)
GPM	Gallons per minute
hp	Horsepower
lbf·in	Pound inch
lbf·ft	Pound foot
kW	Kilowatt
kgf	Kilogram-force
LPM	Liters per minute
N·m	Newton meter
psi	Pounds per square inch (in ²)
RPM	Revolutions per minute
cm³/r	Cubic centimeters per revolution
in³/r	Cubic inch per revolution

Commonly used unit conversions

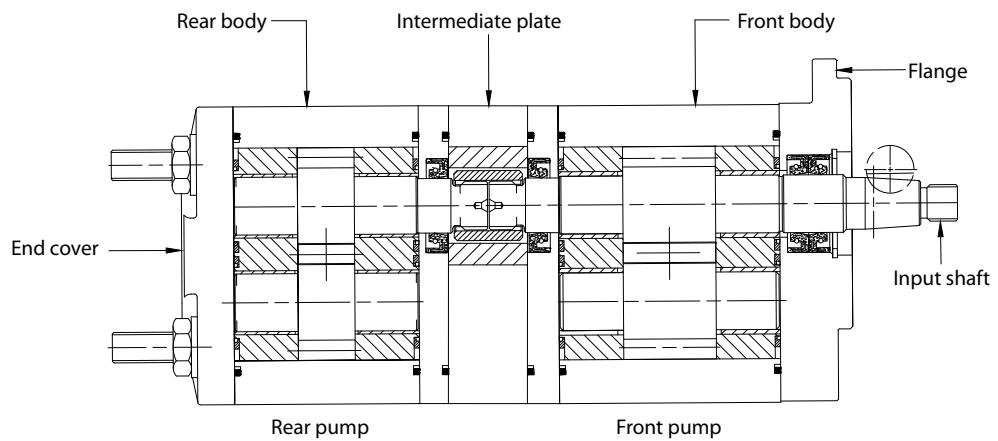
To convert	Into	Multiply by
bar	psi	14.5
cm ³	in ³	0.06102
°C	°F	(°C x 1.8) + 32
Gallons (US)	Liters	3.785
kg	lbs	2.205
kW	hp	1.341
Liters	Gallons (US)	0.2642
mm	in	0.03937
N·m	lbf·in	8.85
N·m	lbf·ft	0.7375
°F	°C	(°F - 32) / 1.8
hp	kW	0.7457
in	mm	25.4
in ³	cm ³	16.387
lbf·in	N·m	0.113
lbf·ft	N·m	1.356
lbs	kg	0.4535
psi	bar	0.06895
psi	kgf/cm ²	0.070307

GD5 parts nomenclature

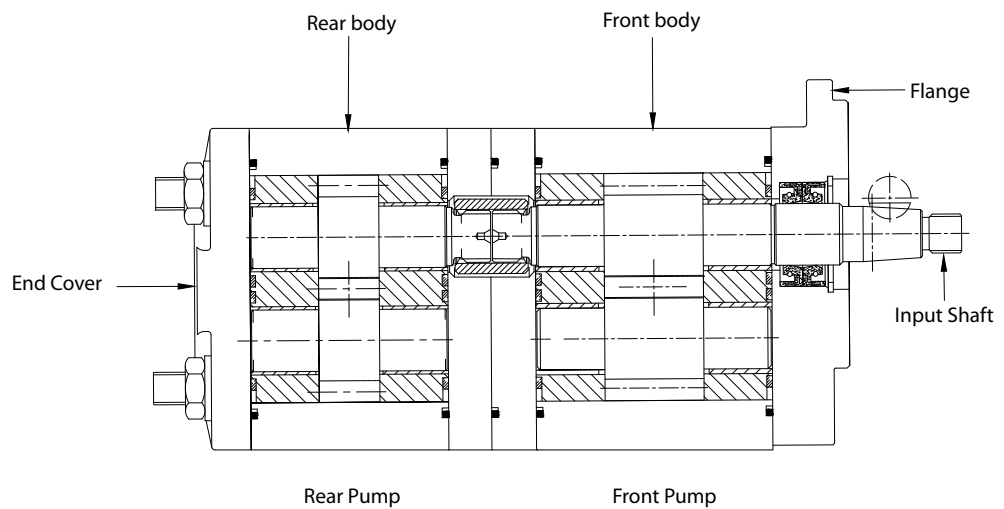
Single pump parts identification



Double pump with sectional sealing parts identification



Double pump parts identification

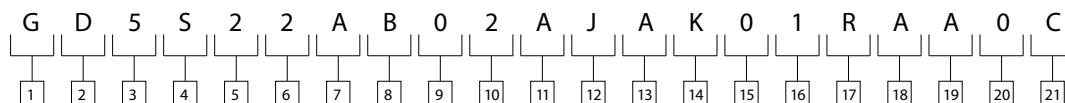


Model code

GD5 single pump model code

The following 21-digit coding system has been developed to identify standard configuration options for the External Single Gear Pump.

Use this model code to specify a pump with the desired features. All 21 digits of the code must be present to release a new product number for ordering.



Part options

Position	Feature	Code	Description
1, 2	Product	GD	External gear pump
3	Size	5	Frame size
4	Unit type	S	Single pump
5, 6	Displacement cm ³ /r [in ³ /r]	05	5.1 [0.031]
		06	6.0 [0.37]
		08	8.2 [0.50]
		09	9.5 [0.58]
		11	11.0 [0.67]
		12	12.3 [0.75]
		16	16.5 [1.01]
		18	18.0 [1.10]
		20	20.0 [1.22]
7, 8	Mounting flange	AA	SAE "A" 2 bolt
		AE	European rectangular 4 bolt
		AN	German rectangular 4 bolt
		9, 10	Input shaft
02	Straight keyed shaft ø17.46; key 4.76 X 19.0, shaft ext. 31.8		
03	Straight key shaft dia. 19.05; key 4.76 X 19.0, shaft ext. 31.0		
04	Straight shaft dia. 15.88; key 3.97 X 14.27, shaft ext. 31.8		
05	11T, 16/32DP 30° Involute; 19.0 min. full spline, ø18.63, flat root, side fit, shaft ext. 32.4		
06	9T, 16/32DP 30° Involute; 19.0 min. full spline, ø15.56, flat root, side fit, shaft ext. 31.5		

Model code

Part options (continued)

Position	Feature	Code	Description
11, 12, 13, 14	Inlet port (11, 12) and outlet port (13, 14)	-	-
	SAE straight thread O-ring ports	AA	7/8"-14 UNF-2B (SAE #10)
		AB	1-1/16"-12 UN-2B (SAE #12)
		AC	1-5/16"-12 UN-2B (SAE #16)
		AD	3/4"-16 UNF-2B (SAE #8)
		AE	1-3/16"-12 UN-2B (SAE#14)
	BSPP straight threaded ports	AF	G 3/4" ports
		AG	G 1/2" ports
		AH	G 3/8" ports
	Metric straight thread ports (ISO 6149)	AJ	M22 X 1.5-6H
		AK	M18 X 1.5-6H
		AL	M27 X 2.0-6H
	European flanged ports - 4 bolts	AM	M8 X 1.25, 40 PCD, ø19.0
		AN	M6 X 1, 30.2 PCD, ø14.0
	German flanged ports - 4 bolts	AP	M6 X 1, 35.0 PCD, ø15.0
		AR	M6 X 1, 40.0 PCD, ø20.0
		AS	M6 X 1, 40.0 PCD, ø19.0
	15, 16	Special features	00
01			Viton seal
17	Rotation	L	Left hand rotation (counterclockwise)
		R	Right hand rotation (clockwise)
18, 19	Paint/packaging	AA	None
20	Customer identification	0	None
21	Design code	C	Third

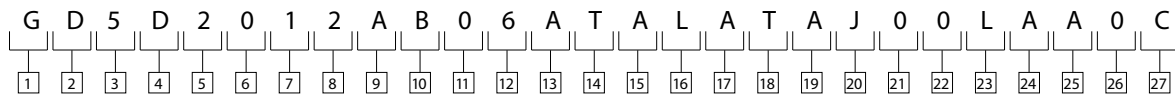
[For customized features, please contact a Danfoss representative.](#)

Model code

GD5 double pump model code

The following 27-digit coding system has been developed to identify standard configuration options for the External Double Gear Pump.

Use this model code to specify a pump with the desired features. All 27 digits of the code must be present to release a new product number for ordering.



Position	Feature	Code	Description		
1, 2	Product	GD	External gear pump		
3	Size	5	Frame size		
4	Unit type	D	Double		
5, 6	Front pump displacement cm ³ /r [in ³ /r]	05	5.1 [0.41]		
		6.0	6.0 [0.37]		
		08	8.2 [0.50]		
		09	9.5 [0.58]		
		11	11.0 [0.67]		
		12	12.3 [0.75]		
		16	16.5 [1.01]		
		18	18.0 [1.10]		
		20	20.0 [1.22]		
7, 8	¹ Rear pump displacement cm ³ /r [in ³ /r]	05	5.1 [0.41]		
		06	6.0 [0.37]		
		08	8.2 [0.50]		
		09	9.5 [0.58]		
		11	11.0 [0.67]		
		12	12.3 [0.75]		
		16	16.5 [1.01]		
		9, 10	Mounting flange	AA	SAE "A" 2 Bolt
				AE	European rectangular 4 bolt
AN	German rectangular 4 bolt				
11, 12	Input shaft	01	TAPER 1:8 on ø16.66mm, 0.4375-20 UNF-2A; Woodruff key 3 X ø15.7, shaft ext 39.7		
		02	Straight keyed shaft ø17.46; Key 4.76 X 19.0, shaft ext. 31.8		
		03	Straight shaft dia.19.05; Key 4.76 X 19.0, shaft ext. 31.0		
		04	Straight shaft dia. 15.88 Key 3.97 X 14.27, shaft ext. 31.8		
		05	11T, 16/32DP 30° Involute 19.0 min. full spline, ø18.63, flat root, side fit, shaft ext. 32.4		
		06	9T, 16/32DP 30° Involute 19.0 min. full spline, ø15.56, flat root, side fit, shaft ext. 31.5		

Model code

Position	Feature	Code	Description	
13, 14, 15, 16, 17, 18, 19, 20	Front pump inlet port (13, 14) Front pump outlet port (15, 16) Rear pump inlet port (17, 18) Rear pump outlet pump (19, 20)	-	-	
	None	00	No ports	
	SAE straight thread O-ring ports	AA	7/8"-14 UNF-2B (SAE #10)	
		AB	M6 x 1, PCD 30.2, dia.14.0	
		AC	1-1/16"-12 UN-2B (SAE #12)	
		AD	1-5/16"-12 UN-2B (SAE #16)	
		AE	1-3/16"-12 UN-2B (SAE #14)	
	BSPP straight threaded ports	AF	G 3/4" ports	
		AG	G 1/2" ports	
		AH	G 3/8" ports	
	Metric straight thread ports (ISO 6149)	AJ	M22 X 1.5-6H	
		AK	M18 X 1.5-6H	
		AL	M27 X 2.0-6H	
	European flanged ports - 4 bolts	AM	M8 X 1.25, 40 PCD, ø19.0	
		AN	M6 X 1, 30.2 PCD, ø14.0	
	German flanged ports - 4 bolts	AP	M6 X 1, 35.0 PCD, ø15.0	
		AR	M6 X 1, 40.0 PCD, ø20.0	
		AS	M6 X 1, 40.0 PCD, ø19.0	
	21, 22	Special features	00	None
			01	Viton seal
23	Rotation	L	Left-hand rotation (counterclockwise)	
		R	Right-hand rotation (clockwise)	
24, 25	Paint/packageing	AA	None	
26	Customer identification	0	None	
27	Design code	C	Third	

¹ Combination of displacements for double pump is decided by strength of the drive shaft and coupler. Please consult representative when selecting the double pump displacement.

[For custom options, please contact a Danfoss representative.](#)

Specifications

GD5 technical data

Displacement specifications comparison

Displacement cm ³ /r [in ³ /r]	Max. continuous pressure bar [psi] ¹	Max, intermittent pressure bar [psi] ²	Min. Speed RPM	Max. speed @ 210 bar RPM	Max. speed @ 250 bar RPM	Min. output flow @ 2000 RPM at max. intermittent pressure LPM [GPM]	Approximate weight kg
5.1 [0.31]	240 [3480]	250 [3625]	700	4000	3000	8.4 [2.22]	3.2
6.0 [0.37]	240 [3480]	250 [3625]	700	4000	3000	10.8 [2.85]	3.3
8.2 [0.50]	240 [3480]	250 [3625]	700	4000	3000	14.3 [3.78]	3.4
9.5 [0.58]	240 [3480]	250 [3625]	700	4000	3000	17.0 [4.49]	3.5
11.0 [0.67]	240 [3480]	250 [3625]	700	4000	3000	19.7 [5.20]	3.7
12.3 [0.75]	240 [3480]	250 [3625]	700	4000	3000	21.4 [5.65]	3.8
16.5 [1.01]	240 [3480]	250 [3625]	700	3500	3000	29.5 [7.79]	3.9
18.0 [1.10]	225 [3263]	235 [3408]	700	3000	3000	32.2 [8.51]	4.0
20.0 [1.22]	210 [3046]	220 [3190]	700	3000	3000	35.8 [9.46]	4.2
24.0 [1.46]	175 [2538]	200 [2900]	700	3000	3000	42.9 [11.33]	4.5

¹ Max. continuous pressure is for flanged ports. For threaded ports, max. continuous and intermittent pressure is 210 bar.

² Max. intermittent pressure only applicable for 10% of every minute

Technical data

Rotation	CW or CCW
Maximum axial load	1000 N ¹
Recommended fluid viscosity	16 to 40 cSt (82-185 SUS)
Fluid operating temperature range	-20°C to 80°C (NBR seals) ²
Recommended cleanliness requirement per ISO 4406:99	20/18/13
Inlet pressure range	-0.3 bar to 2.0 bar

¹ Applicable only for SAE A mounting flange with thrust bearing. For other options, consult your Danfoss representative.

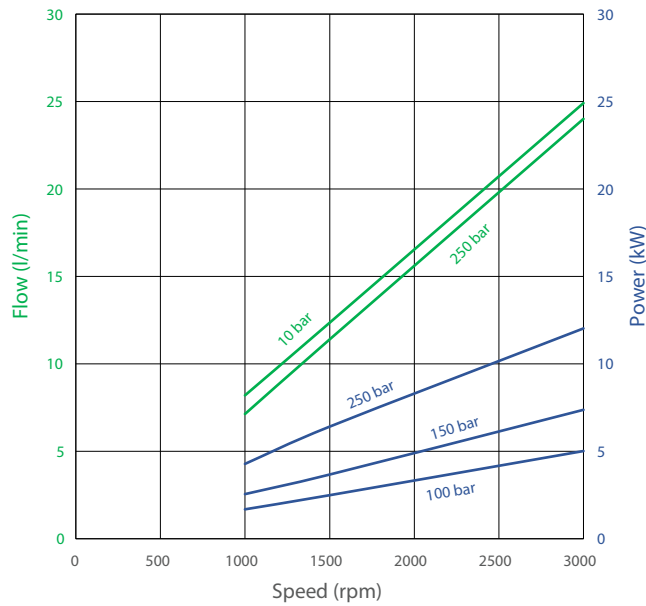
² Viton seals available for higher temperatures up to 120°C.

Special application requirements may be fulfilled upon request, please contact Danfoss Technical service for more information.

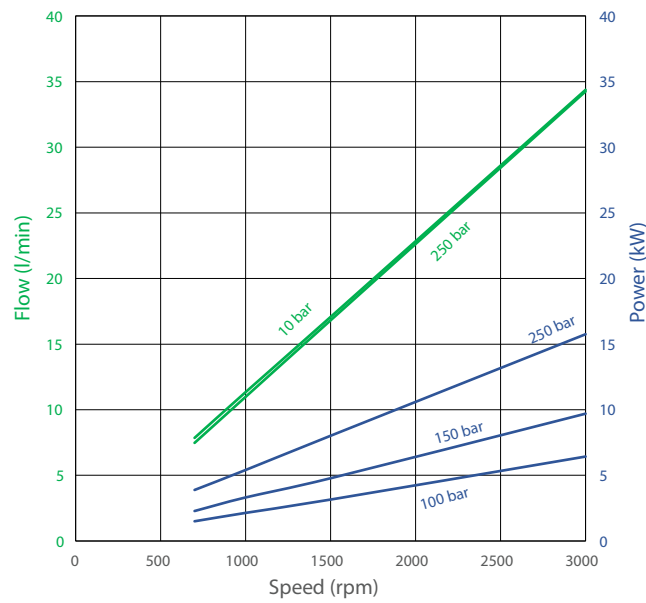
Performance curves

Flow, speed, and power performance

GS5S, GD5D/08

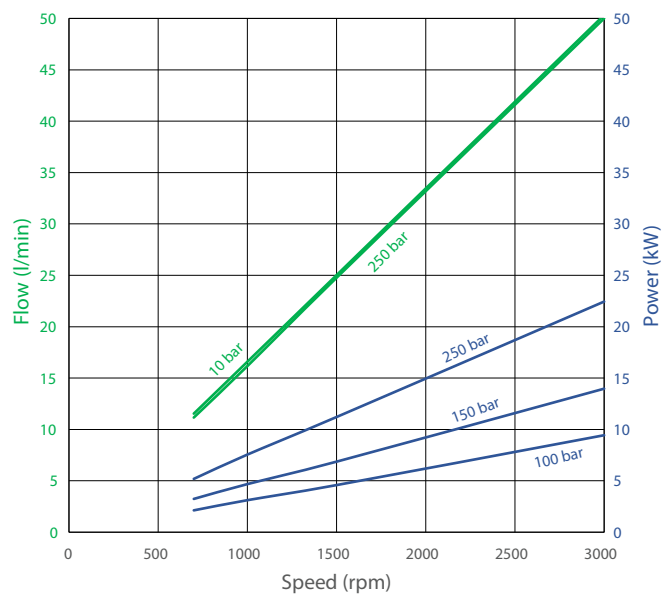


GD5S, GD5D/11



Performance curves

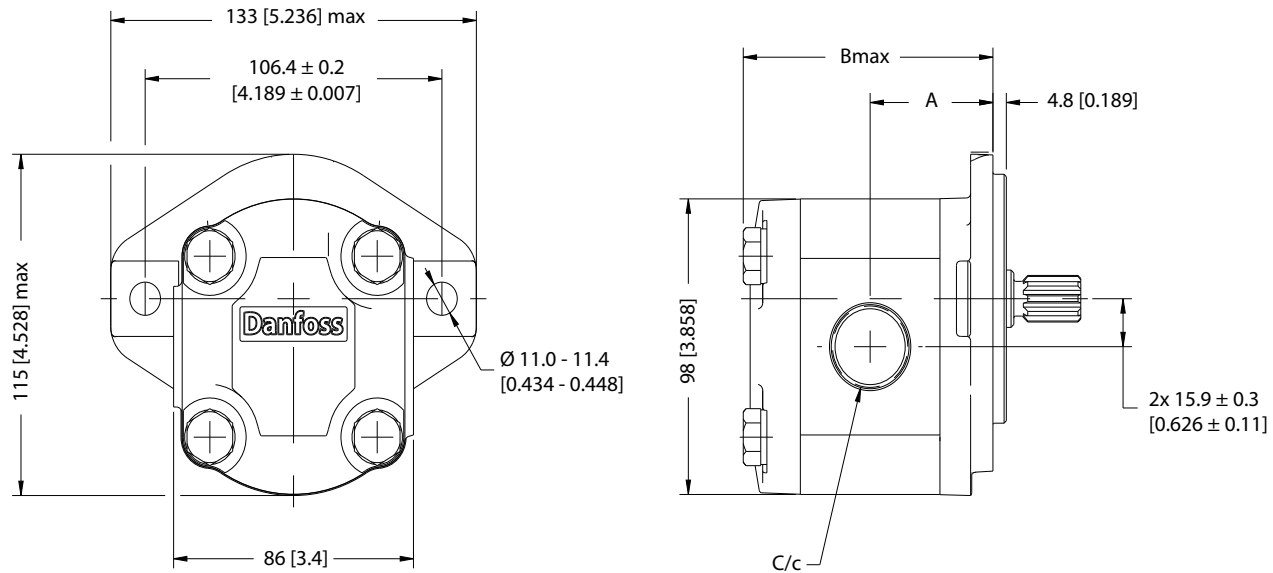
GD5S, GD5D/16



Performance data was collected using a mineral based oil with viscosity of 28 cSt at 45°C - 50°C.

Installation

GD5 pump installation



Dimensions

Type / displacement	A mm [in]	B mm [in]	C (inlet)	c (outlet)
05	44 [1.73]	91 [3.58]	1.0625-12 UN-2B THD	0.8750- 14 UNF-2B THD
06	44.8 [1.76]	92 [3.62]		
08	46.4 [1.83]	96 [3.78]		
09	47.5 [1.87]	98 [3.86]		
11	48.7 [1.92]	100 [3.94]		
12	49.5 [1.95]	101 [3.98]		
16	52.6 [2.07]	106 [4.17]		
18	53.88 [2.12]	108 [4.25]		
20	55.3 [2.18]	114 [4.49]		
24	58.4 [2.30]	120 [4.72]		

Installation

Port availability

Inlet port

Displacement	AA	AB	AC	AD	AE	AF	AG	AJ	AK	AL	AM	AR	AS
05	●	●		●	●		●	●	●	●	●	●	●
06	●	●		●	●		●	●	●	●	●	●	●
08	●	●		●	●	●	●	●	●	●	●	●	●
09	●	●		●	●	●	●	●	●	●	●	●	●
11	●	●		●	●	●	●	●	●	●	●	●	●
12	●	●	●	●	●	●		●	●	●	●	●	●
16	●	●	●	●	●	●		●	●	●	●	●	●
18	●	●	●	●	●	●		●		●	●	●	●
20		●	●		●	●		●		●	●	●	●
23		●	●		●	●		●		●			
24		●	●		●	●		●		●			

Outlet port

Displacement	AA	AB	AD	AF	AG	AH	AJ	AK	AL	AN	AP
05	●		●		●	●		●		●	●
06	●		●		●	●		●		●	●
08	●		●	●	●	●		●		●	●
09	●		●	●	●			●		●	●
11	●		●	●	●		●	●	●	●	●
12	●		●	●			●	●	●	●	●
16	●	●	●	●			●	●	●	●	●
18	●	●	●	●			●	●	●	●	●
20	●	●		●			●		●	●	●
23	●	●		●			●		●		
24	●	●		●			●		●		

● = available

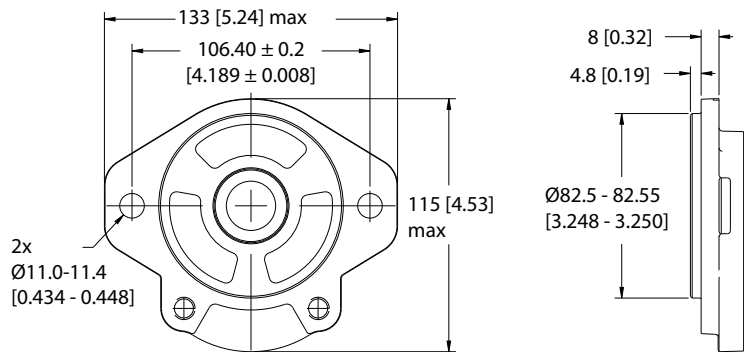
Dimensions

Mounting flange

SAE "A" 2 bolt mounting flange dimensions

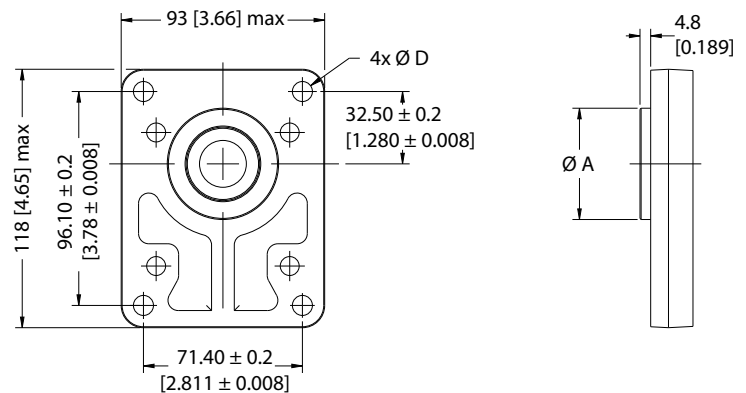
Dimensions in mm [in].

Code - AA



European rectangular 4 bolt mounting flange dimensions

Dimensions in mm [in].



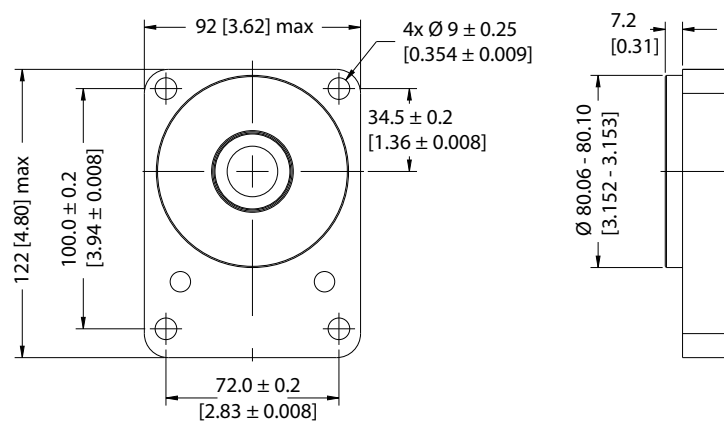
Code	A	D
AE	50.00 [1.968]	9 [0.354]
AG	36.47 [1.435]	7 [0.275]
AF	54 [2.125]	7.5 [0.295]

Dimensions

German rectangular 4 bolt mounting flange dimensions

Dimensions in mm [in].

Code - AN



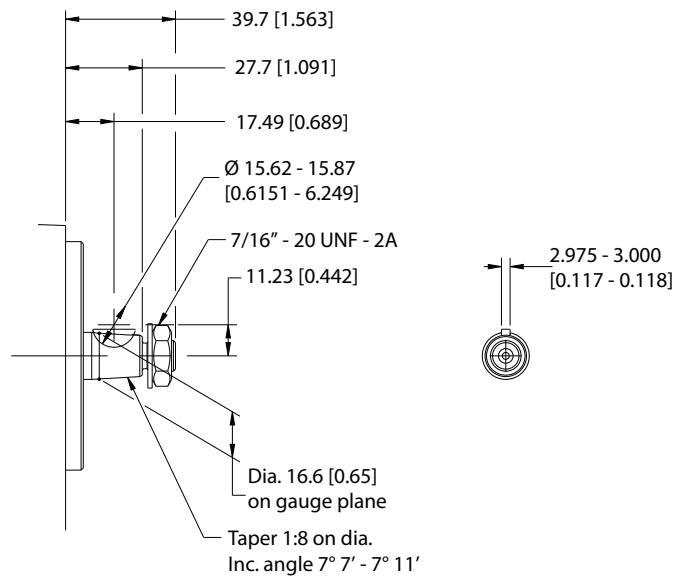
Dimensions

Input shaft

Taper 1:8 input shaft dimensions

Dimensions in mm [in].

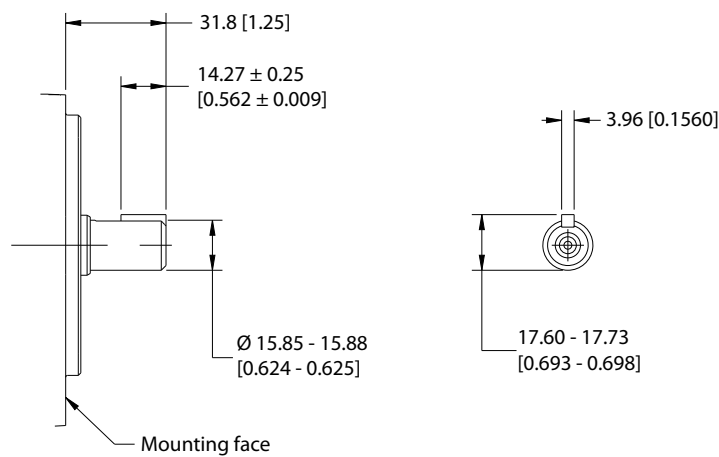
Code - 01 (max allowable torque 150 N·m)



Straight keyed input shaft with Ø15.88 dimensions

Dimensions in mm [in].

Code - 04 (maximum allowable torque 80 N·m)

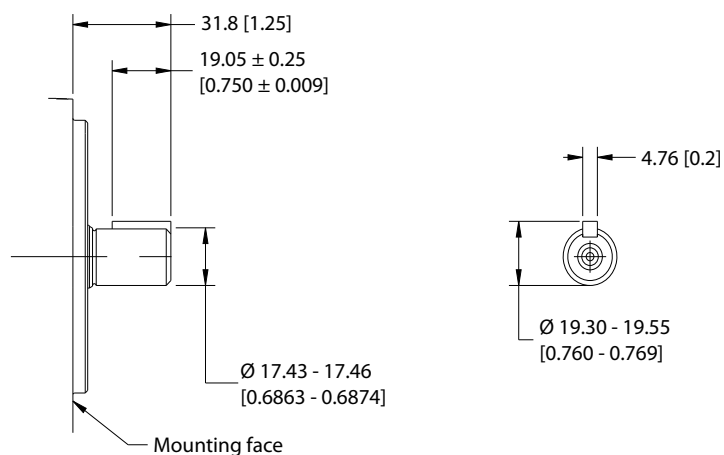


Dimensions

Straight keyed input shaft with $\varnothing 17.46$ dimensions

Dimensions in mm [in].

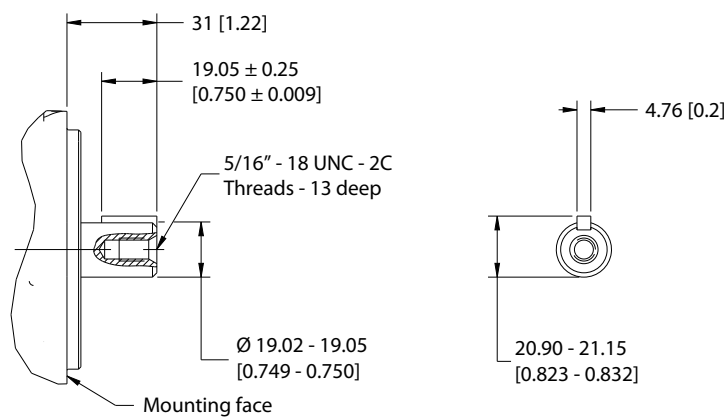
Code - 02 (maximum allowable torque 115 N·m)



Straight keyed shaft with $\varnothing 19.05$ dimensions

Dimensions in mm [in].

Code - 03 (maximum allowable torque 125 N·m)

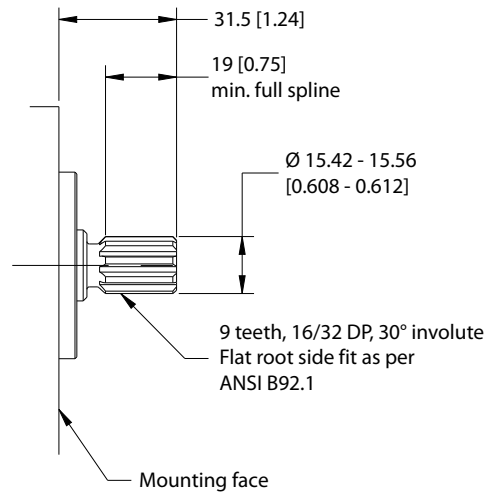


Dimensions

9 teeth shaft dimensions

Dimensions in mm [in].

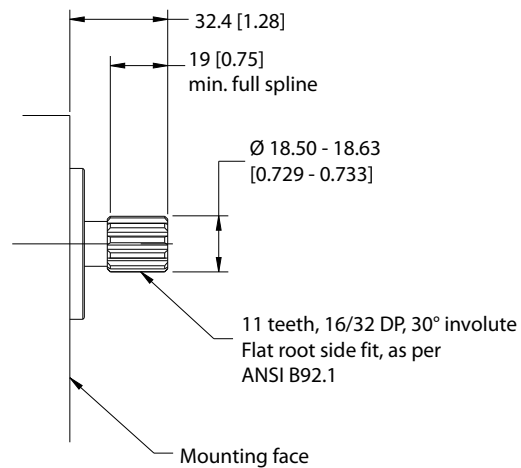
Code - 06 (maximum allowable torque 90 N·m)



11 teeth shaft dimensions

Dimensions in mm [in].

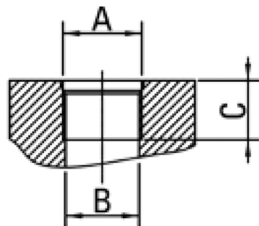
Code - 05 (maximum allowable torque 150 N·m)



Dimensions

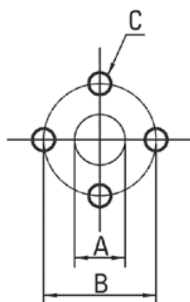
Ports

SAE straight thread O-ring ports dimensions (Pmax ≤ 210 bar)



Code	SAE number	A (thread size)	ØB mm [in]	C mm [in]
AD	8	0.750-16 UNF-2B	17.5 [0.69]	14.3 [0.56]
AA	10	0.875-14 UNF-2B	20.5 [0.81]	16.7 [0.66]
AB	12	1.0625-12 UN-2B	24.9 [0.98]	19.1 [0.75]
AE	14	1.1875-12 UN-2B	28.1 [1.11]	19.1 [0.75]
AC	16	1.3125-12 UN-2B	31.3 [1.23]	19.1 [0.75]

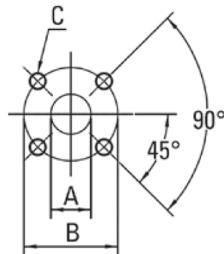
European flanged ports - 4 bolts dimensions



Code	Nominal size	Ø A mm [in]	B mm [in]	C thread	C thread depth mm [in]
AN	14	14.0 [0.55]	30.0 [1.18]	M6	13 [0.51]
AM	19	19.0 [0.75]	40.0 [1.57]	M8	13 [0.51]

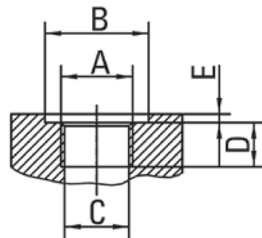
Dimensions

German flanged ports - 4 bolts dimensions



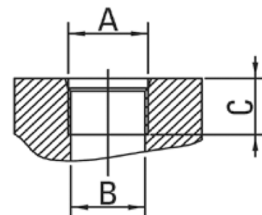
Code	Nominal size	Ø A mm [in]	B mm [in]	C thread	C thread depth mm [in]
AP	15	15.0 [0.59]	35.0 [1.38]	M6	13 [0.51]
AS	19	19.0 [0.75]	40.0 [1.57]	M6	13 [0.51]
AR	20	20.0 [0.79]	40.0 [1.57]	M6	13 [0.51]

BSPP straight thread ports dimensions (Pmax ≤ 210 bar)



Code	Nominal size	A	Ø B mm [in]	Ø C mm [in]	D mm [in]	E mm [in]
AH	3/8"	G 3/8"	27.0 [1.06]	15.3 [0.60]	12.2 [0.48]	1.5 [0.06]
AG	1/2"	G 1/2"	33.0 [1.30]	19.0 [0.75]	15.3 [0.60]	1.5 [0.06]
AF	3/4"	G 3/4"	42.0 [1.65]	24.5 [0.96]	16.0 [0.63]	1.5 [0.06]

Metric straight thread ports (ISO 6149) dimensions (Pmax ≤ 210 bar)



Code	A thread size	Ø B mm [in]	C mm [in]
AK	M18 x 1.5	15.5 [0.65]	12.5 [0.49]
AJ	M22 x 1.5	20.5 [0.81]	13.5 [0.53]
AL	M27 x 2.0	25.0 [0.98]	17.0 [0.67]

Installation and maintenance

Mounting

The pump can be mounted with drive shaft in horizontal, vertical or at any angle in between. All flanges have pilot (spigot) for proper alignment of pump with respect to drive system.

Rotation

Shaft rotation is denoted in the unit coding. Arrow indicating direction of rotation is stamped on the pump's center body. Direction of rotation is viewed from the pump's drive shaft end.

Drives

Coupling used to drive the pump should not transfer any radial or axial load on the pump's drive shaft. A flexible coupling is recommended to accommodate slight misalignment and to dampen the vibration.

Fluids

Pressure ratings in this catalog are determined using petroleum-based hydraulic fluids. Recommended viscosity range is found in [Technical data](#). Avoid using mixtures of two different oils which could result in decomposition and reduction of oil's lubricating capability. For use with other oils, consult your Danfoss representative for approval.

Fluid reservoir

The reservoir capacity for industrial systems with open-loop flow should be at least 3 times as that of the flow. The pump suction line should draw oil from a point not less than 100 mm (4 Inch) above the tank bottom to avoid sludge deposits from entering the pump. The return line should be submerged in the oil and should be positioned as far apart as possible from the inlet line. The return and inlet lines should be separated by baffles.

Lines

The inside diameter of the inlet line must be as large as possible. The inlet line should be free from sharp bends, 90 degree elbow fittings or other restrictions that could cause resistance to flow. Positive head should be maintained at the pump inlet as far as possible. However, if the pump is required to operate at low inlet pressure condition, then inlet vacuum should not be less than 0.2 bar (6 inches of Hg). If the inlet vacuum is outside of the recommendations, consult your Danfoss representative for approval.

The maximum inlet pressure of the pump is limited by the shaft seal and should not exceed 2 bar gauge. The inside diameter of outlet line should be at least equal to the opening diameter of the outlet port.

Caution

Over-tightening the coupling connected to threaded-type inlet and outlet ports may damage the threads in the pump body. Do not over-tighten the coupling.

Filtration

Most premature failures of gear pumps are due to contaminated fluid. Oil contamination level should not exceed ISO cleanliness code 20/18/13 per ISO 4406:99. Full flow filtering is always recommended. Initial cleanliness level of the fluid with which system is filled must not exceed NAS 1638Class 9.

Installation and maintenance

Starting up

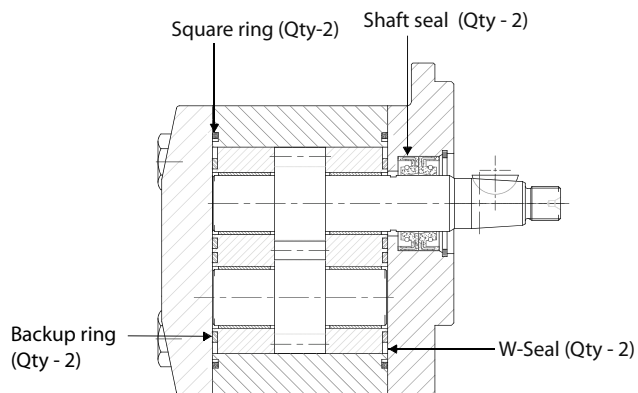
- 1.** Fill the pump with fluid before installing
- 2.** Check the direction of rotation
Rotation direction should be in line with arrow marked on the pump.
- 3.** Check that all fitting connections are torqued to proper specifications.
- 4.** For first run of the pump, gradually increase pressure and speed until operating levels are obtained.

Periodic checks

Keep the outside surface of the pump clean, especially the area near the drive shaft seal. Using an abrasive powder on the shaft seal will wear the seal and cause leakage. Replace filters regularly in order to keep hydraulic fluid clean. Monitor oil level and replenish oil if necessary.

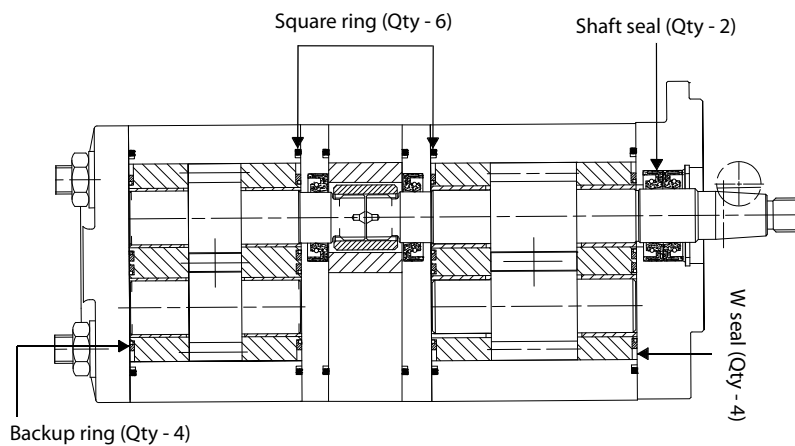
Spare parts

Single pump seal kits



Part number	Description
9901483-001	Nitrile
9901483-002	Viton

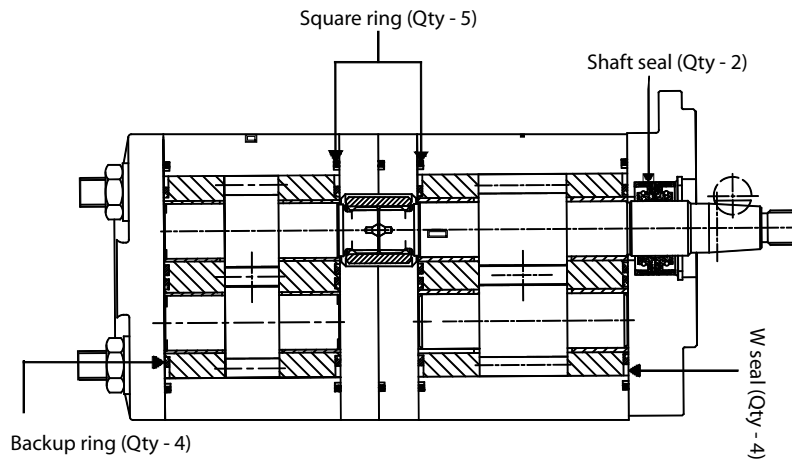
Double pump with sectional plate seal kits



Part number	Description
9901483-003	Nitrile
9901483-004	Viton

Spare parts

Double pump seal kits



Part number	Description
9901483-005	Nitrile
9901483-006	Viton

Products we offer:

- Cartridge valves
- DCV directional control valves
- Electric converters
- Electric machines
- Electric motors
- Gear motors
- Gear pumps
- Hydraulic integrated circuits (HICs)
- Hydrostatic motors
- Hydrostatic pumps
- Orbital motors
- PLUS+1® controllers
- PLUS+1® displays
- PLUS+1® joysticks and pedals
- PLUS+1® operator interfaces
- PLUS+1® sensors
- PLUS+1® software
- PLUS+1® software services, support and training
- Position controls and sensors
- PVG proportional valves
- Steering components and systems
- Telematics

Danfoss Power Solutions is a global manufacturer and supplier of high-quality hydraulic and electric components. We specialize in providing state-of-the-art technology and solutions that excel in the harsh operating conditions of the mobile off-highway market as well as the marine sector. Building on our extensive applications expertise, we work closely with you to ensure exceptional performance for a broad range of applications. We help you and other customers around the world speed up system development, reduce costs and bring vehicles and vessels to market faster.

Danfoss Power Solutions – your strongest partner in mobile hydraulics and mobile electrification.

Go to www.danfoss.com for further product information.

We offer you expert worldwide support for ensuring the best possible solutions for outstanding performance. And with an extensive network of Global Service Partners, we also provide you with comprehensive global service for all of our components.

Local address:

Hydro-Gear

www.hydro-gear.com

Daikin-Sauer-Danfoss

www.daikin-sauer-danfoss.com

**Danfoss
Power Solutions (US) Company**
2800 East 13th Street
Ames, IA 50010, USA
Phone: +1 515 239 6000

**Danfoss
Power Solutions GmbH & Co. OHG**
Krokamp 35
D-24539 Neumünster, Germany
Phone: +49 4321 871 0

**Danfoss
Power Solutions ApS**
Nordborgvej 81
DK-6430 Nordborg, Denmark
Phone: +45 7488 2222

**Danfoss
Power Solutions Trading
(Shanghai) Co., Ltd.**
Building #22, No. 1000 Jin Hai Rd
Jin Qiao, Pudong New District
Shanghai, China 201206
Phone: +86 21 2080 6201

Danfoss can accept no responsibility for possible errors in catalogues, brochures and other printed material. Danfoss reserves the right to alter its products without notice. This also applies to products already on order provided that such alterations can be made without subsequent changes being necessary in specifications already agreed. All trademarks in this material are property of the respective companies. Danfoss and the Danfoss logotype are trademarks of Danfoss A/S. All rights reserved.

FLUID POWER SOLUTIONS[®]

Find a location near you!



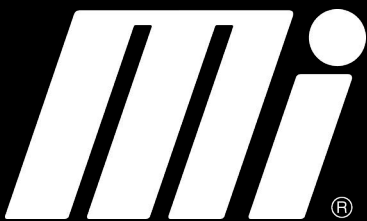
Mi Fluid Power Solutions

Looking for specialized solutions for fluid power operations? Talk to the experts at Mi Fluid Power Solutions for expertise related to hydraulic power units, gearbox, and cylinder repair.

To view locations, scan QR Code or go to: qrco.de/bd4Ofp



© 2022 Motion



MORE CHOICES. MORE INVENTORY. MORE EXPERTISE.