

Seal kit details for standard series  
3000 Psi hydraulic cylinders - N5 series  
Hydro-Line product line

**FLUID POWER**  
**SOLUTIONS**



**EATON**

*Powering Business Worldwide*

## Piston & rod seal types:

NZ Model code 10<sup>th</sup> and 11<sup>th</sup> letter indicates seal type code N5 KD - 3.25 X 8.00 - N - 1.38 - 2 - T - H - R - 1 - 1 - X

### Rod seal options

H – Urethane Ultra rod seal  
 N – Carboxylated lip type  
 P – Polypak  
 F – Viton polypak  
 V – Viton lip type  
 J – Ultra-Seal with scraper  
 S – Nitrile lip type with scraper  
 G – Viton Polypak with scraper  
 U – Viton lip type with scraper

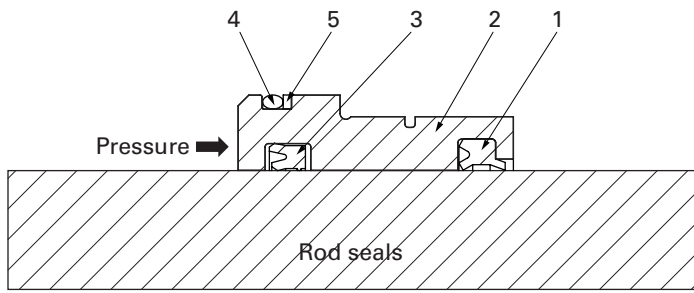
### Piston seal options

N – Carboxylated lip type  
 D – Low friction PolyPak  
 P – Polypak  
 R – Cast iron rings  
 V – Viton lip type  
 B – Low breakaway Teflon radial seal w/wearband

## Seals technical details:

Seal code rod & piston	Fluid	Temperature (Deg F)	Max speed (ft/s)	Application
H&R, N&R, S&R, J&R	Mineral oil, petroleum base	-31 to 176	2.25	Typical industrial
	Automotive transmission fluid			
P&P, P&D	Mineral oil	-31 to 248	15	Low friction
	Water glycol (HFC)	+50 to 158	3	Fire retardant fluids
	Oil in water emulsions (HFA)			
	Water in oil emulsions (HFB)			
F&R, V&R, G&R, U&R, F&V, V&V, G&V, U&V	Mineral oil	-13 to 392	15	High temperature
	Phosphate esters, petroleum oil brands	+32 to 392	15	
	Fyrquel 220, 550, 1000			
	Houghto - safe 1340			
	Pydraul 200, 230C, 280, 312C, 540C, A200			
	Phosphate esters, petroleum oil brands	+32 to 392	15	
	Fyrquel 220, 550, 1000			
	Houghto - safe 1340			
Pydraul 200, 230C, 280, 312C, 540C, A200				

## H – Urethane ultra rod seal kits

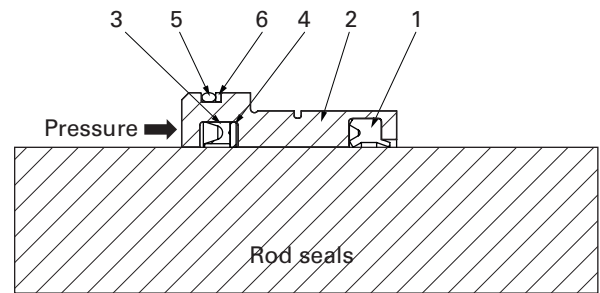


Item	Description	Material	Qty
1	Rod wiper	Nitrile	1
2	Rod cartridge	Cast iron/ductile iron	1
3	Rod seal	Polyurethane	1
4	Bearing O-ring	Nitrile	1
5	Bearing backup	PTFE	1

Rod dia	Rod seal kit (item 1,3,4,5)	Rod cartridge assembly \$
0.63	SKN5-681-05	N5-681-05
1.00	SKN5-681-08	N5-681-08
1.38	SKN5-681-11	N5-681-11
1.75	SKN5-681-14	N5-681-14
2.00	SKN5-681-16	N5-681-16
2.50	SKN5-681-20	N5-681-20
3.00	SKN5-681-24	N5-681-24
3.50	SKN5-681-28	N5-681-28
4.00	SKN5-681-32	N5-681-32
4.50	SKN5-681-36	N5-681-36
5.00	SKN5-681-40	N5-681-40
5.50	SKN5-681-44	N5-681-44

\$ - Includes rod seal kit with bushing

## N – Carboxylated lip type rod seal kits

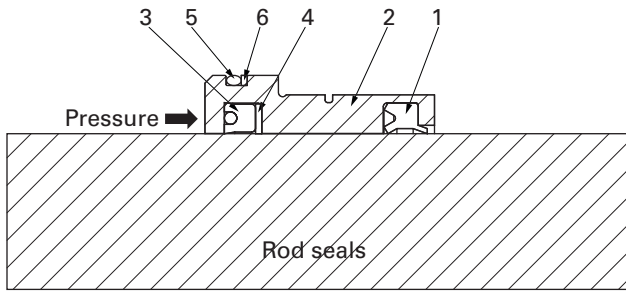


Item	Description	Material	Qty
1	Rod wiper	Nitrile	1
2	Rod cartridge	Cast iron/ductile iron	1
3	Rod seal	Carboxylated nitrile	1
4	Rod seal backup	Hytrel	1
5	Bearing O-ring	Nitrile	1
6	Bearing backup	PTFE	1

Rod dia	Rod seal kit (item 1,3,4,5,6)	Rod cartridge assembly \$
0.63	SKN5-660-05	N5-660-05
1.00	SKN5-660-08	N5-660-08
1.38	SKN5-660-11	N5-660-11
1.75	SKN5-660-14	N5-660-14
2.00	SKN5-660-16	N5-660-16
2.50	SKN5-660-20	N5-660-20
3.00	SKN5-660-24	N5-660-24
3.50	SKN5-660-28	N5-660-28
4.00	SKN5-660-32	N5-660-32
4.50	SKN5-660-36	N5-660-36
5.00	SKN5-660-40	N5-660-40
5.50	SKN5-660-44	N5-660-44

\$ - Includes rod seal kit with bushing

## P – Polypak rod seal kits

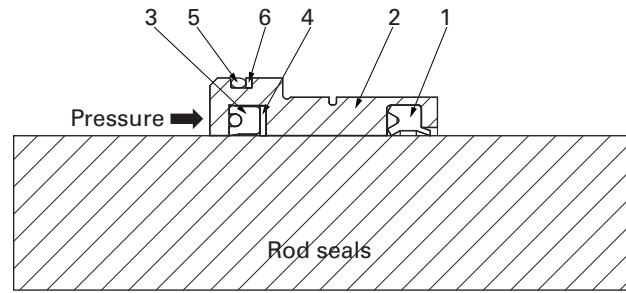


Item	Description	Material	Qty
1	Rod wiper	Nitrile	1
2	Rod cartridge	Cast iron/ductile iron	1
3	Rod seal	Urethane with nitrile loader	1
4	Rod seal backup	Hytrel	1
5	Bearing O-ring	Nitrile	1
6	Bearing backup	PTFE	1

Rod dia	Rod seal kit item (1,3,4,5,6)	Rod cartridge assembly \$
0.63	SKN5-660-P-05	N5-660-P-05
1.00	SKN5-660-P-08	N5-660-P-08
1.38	SKN5-660-P-11	N5-660-P-11
1.75	SKN5-660-P-14	N5-660-P-14
2.00	SKN5-660-P-16	N5-660-P-16
2.50	SKN5-660-P-20	N5-660-P-20
3.00	SKN5-660-P-24	N5-660-P-24
3.50	SKN5-660-P-28	N5-660-P-28
4.00	SKN5-660-P-32	N5-660-P-32
4.50	SKN5-660-P-36	N5-660-P-36
5.00	SKN5-660-P-40	N5-660-P-40
5.50	SKN5-660-P-44	N5-660-P-44

\$ - Includes rod seal kit with bushing

## F – Viton polypak rod seal kits

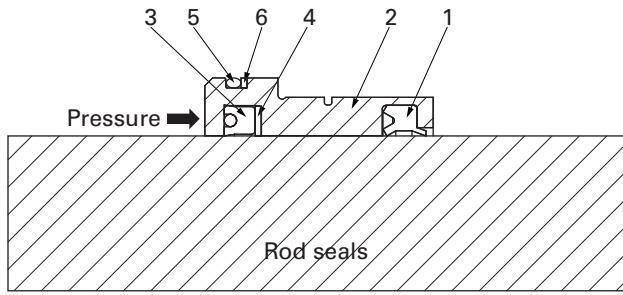


Item	Description	Material	Qty
1	Rod wiper	Viton	1
2	Rod cartridge	Cast iron/ductile iron	1
3	Rod seal	Viton with viton loader	1
4	Rod seal backup	Teflon	1
5	Bearing O-ring	Viton	1
6	Bearing backup	PTFE	1

Rod dia	Rod seal kit (item 1,3,4,5,6)	Rod cartridge assembly \$
0.63	SKN5-660-P-05V	N5-660-P-05V
1.00	SKN5-660-P-08V	N5-660-P-08V
1.38	SKN5-660-P-11V	N5-660-P-11V
1.75	SKN5-660-P-14V	N5-660-P-14V
2.00	SKN5-660-P-16V	N5-660-P-16V
2.50	SKN5-660-P-20V	N5-660-P-20V
3.00	SKN5-660-P-24V	N5-660-P-24V
3.50	SKN5-660-P-28V	N5-660-P-28V
4.00	SKN5-660-P-32V	N5-660-P-32V
4.50	SKN5-660-P-36V	N5-660-P-36V
5.00	SKN5-660-P-40V	N5-660-P-40V
5.50	SKN5-660-P-44V	N5-660-P-44V

\$ - Includes rod seal kit with bushing

## V –Viton lip type rod seal kits

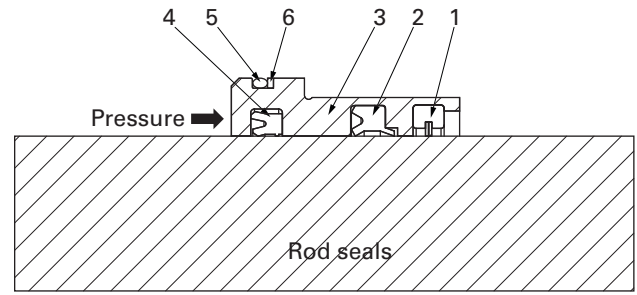


Item	Description	Material	Qty
1	Rod wiper	Nitrile	1
2	Rod cartridge	Cast iron/ductile iron	1
3	Rod seal	Viton	1
4	Rod seal backup	Teflon	1
5	Bearing O-ring	Viton	1
6	Bearing backup	PTFE	1

Rod dia	Rod seal kit (item 1,3,4,5,6)	Rod cartridge assembly \$
0.63	SKN5-660-05V	N5-660-05V
1.00	SKN5-660-08V	N5-660-08V
1.38	SKN5-660-11V	N5-660-11V
1.75	SKN5-660-14V	N5-660-14V
2.00	SKN5-660-16V	N5-660-16V
2.50	SKN5-660-20V	N5-660-20V
3.00	SKN5-660-24V	N5-660-24V
3.50	SKN5-660-28V	N5-660-28V
4.00	SKN5-660-32V	N5-660-32V
4.50	SKN5-660-36V	N5-660-36V
5.00	SKN5-660-40V	N5-660-40V
5.50	SKN5-660-44V	N5-660-44V

\$ - Includes rod seal kit with bushing

## J – Ultra seal with scrapper rod seal kits

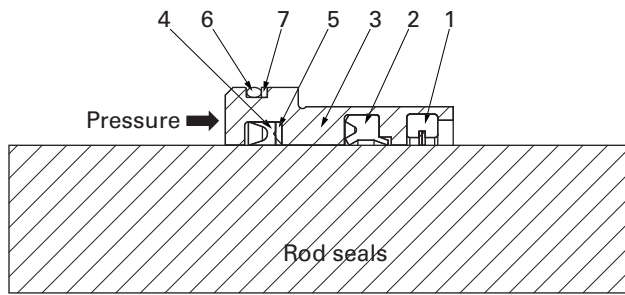


Item	Description	Material	Qty
1	Scrapper	Brass/bronze with nitrile	1
2	Rod wiper	Nitrile	1
3	Rod cartridge	Cast iron/ductile iron	1
4	Rod seal	Polyurethane	1
5	Bearing O-ring	Nitrile	1
6	Bearing backup	PTFE	1

Rod dia	Rod seal kit (item 1,2,4,5,6)	Rod cartridge assembly \$
0.63	SKN5-681-E-05	N5-681-E-05
1.00	SKN5-681-E-08	N5-681-E-08
1.38	SKN5-681-E-11	N5-681-E-11
1.75	SKN5-681-E-14	N5-681-E-14
2.00	SKN5-681-E-16	N5-681-E-16
2.50	SKN5-681-E-20	N5-681-E-20
3.00	SKN5-681-E-24	N5-681-E-24
3.50	SKN5-681-E-28	N5-681-E-28
4.00	SKN5-681-E-32	N5-681-E-32
4.50	SKN5-681-E-36	N5-681-E-36
5.00	SKN5-681-E-40	N5-681-E-40
5.50	SKN5-681-E-44	N5-681-E-44

\$ - Includes rod seal kit with bushing

## S – Nitrile lip type with scrapper rod seal kits

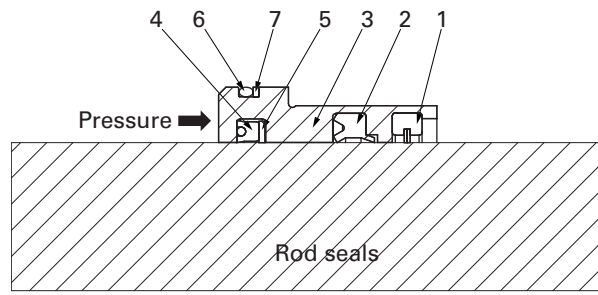


Item	Description	Material	Qty
1	Scrapper	Brass/bronze with nitrile	1
2	Rod wiper	Nitrile	1
3	Rod cartridge	Cast iron/ductile iron	1
4	Rod seal	Carboxylated nitrile	1
5	Rod seal backup	Hytrel	1
6	Bearing O-ring	Nitrile	1
7	Bearing backup	PTFE	1

Rod dia	Rod seal kit (item 1,2,4,5,6, 7)	Rod cartridge assembly \$
0.63	SKN5-660-E-05	N5-660-E-05
1.00	SKN5-660-E-08	N5-660-E-08
1.38	SKN5-660-E-11	N5-660-E-11
1.75	SKN5-660-E-14	N5-660-E-14
2.00	SKN5-660-E-16	N5-660-E-16
2.50	SKN5-660-E-20	N5-660-E-20
3.00	SKN5-660-E-24	N5-660-E-24
3.50	SKN5-660-E-28	N5-660-E-28
4.00	SKN5-660-E-32	N5-660-E-32
4.50	SKN5-660-E-36	N5-660-E-36
5.00	SKN5-660-E-40	N5-660-E-40
5.50	SKN5-660-E-44	N5-660-E-44

\$ - Includes rod seal kit with bushing

## G – Viton polypak with scraper

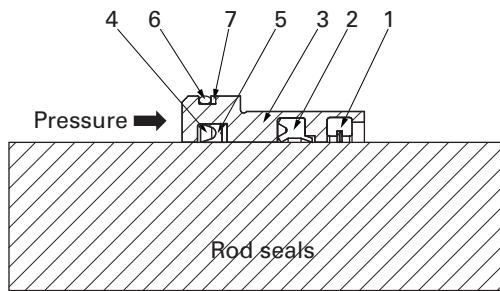


Item	Description	Material	Qty
1	Scrapper	Brass/bronze with viton	1
2	Rod wiper	Viton	1
3	Rod cartridge	Cast iron/ductile iron	1
4	Rod seal	Viton with viton loader	1
5	Rod seal backup	Teflon	1
6	Bearing O-ring	Viton	1
7	Bearing backup	PTFE	1

Rod dia	Rod seal kit (item 1,2,4,5,6, 7)	Rod cartridge assembly \$
0.63	SKN5-660-P-E-05V	N5-660-P-E-05V
1.00	SKN5-660-P-E-08V	N5-660-P-E-08V
1.38	SKN5-660-P-E-11V	N5-660-P-E-11V
1.75	SKN5-660-P-E-14V	N5-660-P-E-14V
2.00	SKN5-660-P-E-16V	N5-660-P-E-16V
2.50	SKN5-660-P-E-20V	N5-660-P-E-20V
3.00	SKN5-660-P-E-24V	N5-660-P-E-24V
3.50	SKN5-660-P-E-28V	N5-660-P-E-28V
4.00	SKN5-660-P-E-32V	N5-660-P-E-32V
4.50	SKN5-660-P-E-36V	N5-660-P-E-36V
5.00	SKN5-660-P-E-40V	N5-660-P-E-40V
5.50	SKN5-660-P-E-44V	N5-660-P-E-44V

\$ - Includes rod seal kit with bushing

## U – Viton lip type with scraper

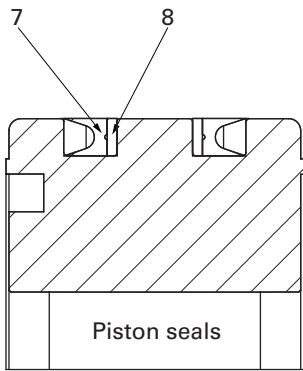


Item	Description	Material	Qty
1	Scraper	Brass/bronze with viton	1
2	Rod wiper	Viton	1
3	Rod cartridge	Cast iron/ductile iron	1
4	Rod seal	Viton	1
5	Rod seal backup	Teflon	1
6	Bearing O-ring	Viton	1
7	Bearing backup	PTFE	1

Rod dia	Rod seal kit (item 1,2,4,5,6,7)	Rod cartridge assembly \$
0.63	SKN5-660-E-05V	N5-660-E-05V
1.00	SKN5-660-E-08V	N5-660-E-08V
1.38	SKN5-660-E-11V	N5-660-E-11V
1.75	SKN5-660-E-14V	N5-660-E-14V
2.00	SKN5-660-E-16V	N5-660-E-16V
2.50	SKN5-660-E-20V	N5-660-E-20V
3.00	SKN5-660-E-24V	N5-660-E-24V
3.50	SKN5-660-E-28V	N5-660-E-28V
4.00	SKN5-660-E-32V	N5-660-E-32V
4.50	SKN5-660-E-36V	N5-660-E-36V
5.00	SKN5-660-E-40V	N5-660-E-40V
5.50	SKN5-660-E-44V	N5-660-E-44V

\$ - Includes rod seal kit with bushing

## N – Carboxylated lip type piston seal kits

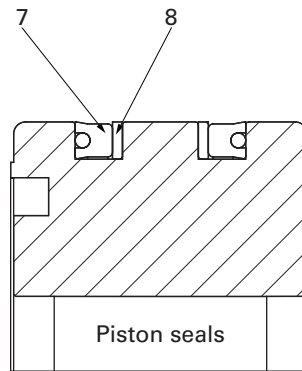


Item	Description	Material	Qty
7	Piston seal	Carboxylated nitrile	2
8	Piston seal backup	Hytrel	2

Bore dia	Piston seal kit* (item 7,8)
1.50	SKN5-512-03
2.00	SKN5-512-04
2.50	SKN5-512-05
3.25	SKN5-512-065
4.00	SKN5-512-08
5.00	SKN5-512-10
6.00	SKN5-512-12
7.00	SKN5-512-14
8.00	SKN5-512-16

\*Piston seal kit contains body seal (not shown, Qty 2)

## D – Low friction polypak piston seal kits



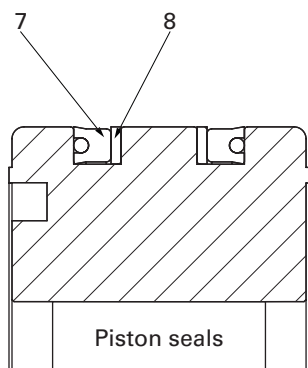
Item	Description	Material	Qty
7	Piston seal	Ultrathane with nitrile O-ring	2
8	Piston seal backup	Hytrel	2

Bore dia	Piston seal kit* (item 7,8)
1.50	SKN5-517-03
2.00	SKN5-517-04
2.50	SKN5-517-05
3.25	SKN5-517-065
4.00	SKN5-517-08
5.00	SKN5-517-10
6.00	SKN5-517-12
7.00	SKN5-517-14
8.00	SKN5-517-16

\*Piston seal kit contains body seal (not shown, Qty 2)



## P – Polypak piston seal kits

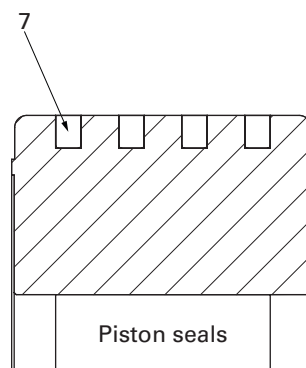


Item	Description	Material	Qty
7	Piston seal	Molythane with nitrile	2
8	Piston seal backup	Hytrel	2

Bore dia	Piston seal kit* (item 7,8)
1.50	SKN5-516-03
2.00	SKN5-516-04
2.50	SKN5-516-05
3.25	SKN5-516-065
4.00	SKN5-516-08
5.00	SKN5-516-10
6.00	SKN5-516-12
7.00	SKN5-516-14
8.00	SKN5-516-16

\*Piston seal kit contains body seal (not shown, Qty 2)

## R – Cast iron piston ring seal kits

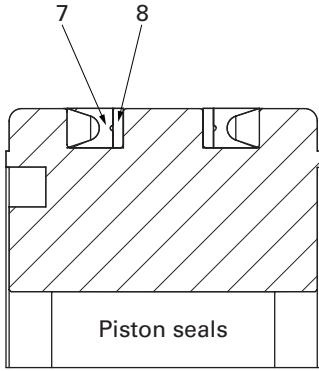


Item	Description	Material	Qty
7	Piston rings	Cast iron	4

Bore dia	Piston seal kit* (item 7) - After Mar 1,06	Piston seal kit* (item 7) - Before Mar 1,06
1.50	SKN5-511-03A	SKN5-511-03
2.00	SKN5-511-04A	SKN5-511-04
2.50	SKN5-511-05A	SKN5-511-05
3.25	SKN5-511-06A	SKN5-511-06
4.00	SKN5-511-08A	SKN5-511-08
5.00	SKN5-511-10A	SKN5-511-10
6.00	SKN5-511-12A	SKN5-511-12
7.00	SKN5-511-14A	SKN5-511-14
8.00	SKN5-511-16A	SKN5-511-16

\*Piston seal kit contains body seal (not shown, Qty 2)

## V – Viton lip type seal kits

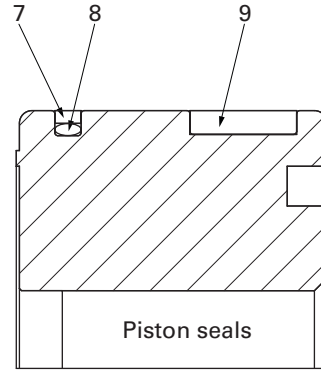


Item	Description	Material	Qty
7	Piston seal	Viton	2
8	Piston seal backup	Hytrel	2

Bore dia	Piston seal kit* (item 7,8)
1.50	SKN5-512-03
2.00	SKN5-512-04
2.50	SKN5-512-05
3.25	SKN5-512-065
4.00	SKN5-512-08
5.00	SKN5-512-10
6.00	SKN5-512-12
7.00	SKN5-512-14
8.00	SKN5-512-16

\*Piston seal kit contains body seal (not shown, Qty 2)

## B – Low breakaway teflon radial seal with wearband seal kits



Item	Description	Material	Qty
7	Piston seal	GFT	2
8	Piston seal backup	Nitrile	2
9	Piston wearband	Bronze filled PTFE	

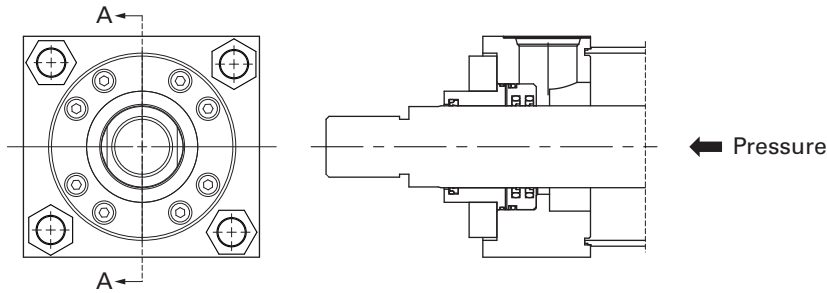
Bore dia	Piston seal kit* (item 7,8)
1.50	SKN5-5180-03
2.00	SKN5-5180-04
2.50	SKN5-5180-05
3.25	SKN5-5180-065
4.00	SKN5-5180-08
5.00	SKN5-5180-10
6.00	SKN5-5180-12
7.00	SKN5-5180-14
8.00	SKN5-5180-16

\*Piston seal kit contains body seal (not shown, Qty 2)

## Rod cartridge retainers – either with circular retainer/full front plate

Cylinders with the following bore and rod combinations use circular retainers which permit removal of rod cartridge without disassembling the cylinder:

- 2 1/2" bore with 1" rod
- 3 1/4" bore with 1 3/8" rod
- 4" bore and larger with all rod diameters

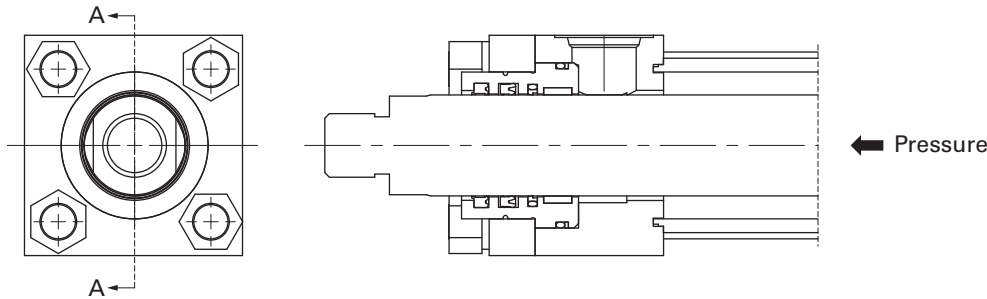


### Torque on circular retainer socket head cap screws

Screw size	1/4-20	5/16-18	3/8-16	7/16-14	5/8-11	3/4-10
Torque (ft/lb)	13	28	48	70	220	340

Cylinders with the following bore and rod combinations use Full front plate as rod cartridge retainer.

- 1 1/2" bore with 5/8" and 1" rods
- 2 1/2" bore with 1 3/8" and 1 3/4" rods
- 2" bore with 1" and 1 3/8" rods
- 3 1/4" bore with 1 3/4" and 2" rods



Bore dia	Tie rod torque (Ft-lbs)	Tie rod Torque (Ft-lbs) for 15 Mount
1.50	30	17
2.00	40	36
2.50	80	56
3.25	170	118
4.00	170	160
5.00	550	350
6.00	700	560
7.00	950	840
8.00	1250	1200

Please refer for complete Maintenance manual [http://www.eaton.com/ecm/groups/public/@pub/@eaton/@hyd/documents/content/pct\\_12\\_72924.pdf](http://www.eaton.com/ecm/groups/public/@pub/@eaton/@hyd/documents/content/pct_12_72924.pdf)

## Rod seal components:

### Rod seal code – H (Urethane ultra-rod seal kit)

Rod dia	Urethane rod seal kit	Wiper seal	Rod seal	Bearing O-ring	Bearing backup
0.63	SKN5-681-05	C-6905-CN	C-514-05	5145-123	C-359-123
1.00	SKN5-681-08	C-6908-CN	C-514-08	5145-129	C-359-129
1.38	SKN5-681-11	C-6911-CN	C-514-11	5145-137	C-359-137
1.75	SKN5-681-14	C-6914-CN	C-514-14	5145-144	C-359-144
2.00	SKN5-681-16	C-6916-CN	C-514-16	5145-148	C-359-148
2.50	SKN5-681-20	C-6920-CN	C-514-20	5145-152	C-359-152
3.00	SKN5-681-24	C-6924-CN	C-514-24	5145-241	C-214-24
3.50	SKN5-681-28	C-6928-CN	C-514-28	5145-245	C-214-28
4.00	SKN5-681-32	C-6932-CN	C-514-32	5145-249	C-214-32
4.50	SKN5-681-36	C-6936-CN	C-514-36	5145-254	C-214-36
5.00	SKN5-681-40	C-6940-CN	C-514-40	5145-258	C-214-40
5.50	SKN5-681-44	C-6944-CN	C-514-44	5145-260	C-214-44

### Rod seal code – N (Carboxylated lip type rod seal kit)

Rod dia	Carboxylated lip type	Wiper seal	Rod seal	Rod seal backup	Bearing O-ring	Bearing backup
0.63	SKN5-660-05	C-6905-CN	C-6705A-CN	C-6705-WCN	5145-123	C-359-123
1.00	SKN5-660-08	C-6908-CN	C-6708A-CN	C-6708A-WCN	5145-129	C-359-129
1.38	SKN5-660-11	C-6911-CN	C-6711-CN	C-6711-WCN	5145-137	C-359-137
1.75	SKN5-660-14	C-6914-CN	C-6714-CN	C-6714-WCN	5145-144	C-359-144
2.00	SKN5-660-16	C-6916-CN	C-6716-CN	C-6716-WCN	5145-148	C-359-148
2.50	SKN5-660-20	C-6920-CN	C-6720-CN	C-6720-WCN	5145-152	C-359-152
3.00	SKN5-660-24	C-6924-CN	C-6724-CN	C-6724-WCN	5145-241	C-214-24
3.50	SKN5-660-28	C-6928-CN	C-6728-CN	C-6728-WCN	5145-245	C-214-28
4.00	SKN5-660-32	C-6932-CN	C-6732-CN	C-6732-WCN	5145-249	C-214-32
4.50	SKN5-660-36	C-6936-CN	C-6736-CN	C-6736-WCN	5145-254	C-214-36
5.00	SKN5-660-40	C-6940-CN	C-6740-CN	C-6740-WCN	5145-258	C-214-40
5.50	SKN5-660-44	C-6944-CN	C-6744-CN	C-6744-WCN	5145-260	C-214-44

### Rod seal code – P (Polypak rod seal kits)

Rod dia	Polypak rod seal kit	Wiper seal	Rod seal	Rod seal backup	Bearing O-ring	Bearing backup
0.63	SKN5-660-P-05	C-6905-CN	C-327-05	C-6705-WCN	5145-123	C-359-123
1.00	SKN5-660-P-08	C-6908-CN	C-327-08	C-6708A-WCN	5145-129	C-359-129
1.38	SKN5-660-P-11	C-6911-CN	C-327-11	C-6711-WCN	5145-137	C-359-137
1.75	SKN5-660-P-14	C-6914-CN	C-327-14	C-6714-WCN	5145-144	C-359-144
2.00	SKN5-660-P-16	C-6916-CN	C-327-16	C-6716-WCN	5145-148	C-359-148
2.50	SKN5-660-P-20	C-6920-CN	C-327-20	C-6720-WCN	5145-152	C-359-152
3.00	SKN5-660-P-24	C-6924-CN	C-327-24	C-6724-WCN	5145-241	C-214-24
3.50	SKN5-660-P-28	C-6928-CN	C-327-28	C-6728-WCN	5145-245	C-214-28
4.00	SKN5-660-P-32	C-6932-CN	C-327-32	C-6732-WCN	5145-249	C-214-32
4.50	SKN5-660-P-36	C-6936-CN	C-327-36	C-6736-WCN	5145-254	C-214-36
5.00	SKN5-660-P-40	C-6940-CN	C-327-40	C-6740-WCN	5145-258	C-214-40
5.50	SKN5-660-P-44	C-6944-CN	C-327-44	C-6744-WCN	5145-260	C-214-44

## Rod seal components:

### Rod seal code – F (Viton polypak rod seal kits)

Rod dia	Viton polypak rod seal kits	Wiper seal	Rod seal	Rod seal backup	Bearing O-ring	Bearing backup
0.63	SKN5-660-P-05V	C-6905-V	C-327-05V	C-6705-WGF	5147-123	C-359-123
1.00	SKN5-660-P-08V	C-6908-V	C-327-08V	C-6708A-WGF	5147-129	C-359-129
1.38	SKN5-660-P-11V	C-6911-V	C-327-11V	C-6711-WGF	5147-137	C-359-137
1.75	SKN5-660-P-14V	C-6914-V	C-327-14V	C-6714-WGF	5147-144	C-359-144
2.00	SKN5-660-P-16V	C-6916-V	C-327-16V	C-6716-WGF	5147-148	C-359-148
2.50	SKN5-660-P-20V	C-6920-V	C-327-20V	C-6720-WGF	5147-152	C-359-152
3.00	SKN5-660-P-24V	C-6924-V	C-327-24V	C-6724-WGF	5147-241	C-214-24
3.50	SKN5-660-P-28V	C-6928-V	C-327-28V	C-6728-WGF	5147-245	C-214-28
4.00	SKN5-660-P-32V	C-6932-V	C-327-32V	C-6732-WGF	5147-249	C-214-32
4.50	SKN5-660-P-36V	C-6936-V	C-327-36V	C-6736-WGF	5147-254	C-214-36
5.00	SKN5-660-P-40V	C-6940-V	C-327-40V	C-6740-WGF	5147-258	C-214-40
5.50	SKN5-660-P-44V	C-6944-V	C-327-44V	C-6744-WGF	5147-260	C-214-44

### Rod seal code – V (Viton lip type rod seal kits)

Rod dia	Viton lip rod seal kits	Wiper seal	Rod seal	Rod seal backup	Bearing O-ring	Bearing backup
0.63	SKN5-660-05V	C-6905-V	C-6705A-V	C-6705-WGF	5147-123	C-359-123
1.00	SKN5-660-08V	C-6908-V	C-6708A-V	C-6708A-WGF	5147-129	C-359-129
1.38	SKN5-660-11V	C-6911-V	C-6711-V	C-6711-WGF	5147-137	C-359-137
1.75	SKN5-660-14V	C-6914-V	C-6714-V	C-6714-WGF	5147-144	C-359-144
2.00	SKN5-660-16V	C-6916-V	C-6716-V	C-6716-WGF	5147-148	C-359-148
2.50	SKN5-660-20V	C-6920-V	C-6720-V	C-6720-WGF	5147-152	C-359-152
3.00	SKN5-660-24V	C-6924-V	C-6724-V	C-6724-WGF	5147-241	C-214-24
3.50	SKN5-660-28V	C-6928-V	C-6728-V	C-6728-WGF	5147-245	C-214-28
4.00	SKN5-660-32V	C-6932-V	C-6732-V	C-6732-WGF	5147-249	C-214-32
4.50	SKN5-660-36V	C-6936-V	C-6736-V	C-6736-WGF	5147-254	C-214-36
5.00	SKN5-660-40V	C-6940-V	C-6740-V	C-6740-WGF	5147-258	C-214-40
5.50	SKN5-660-44V	C-6944-V	C-6744-V	C-6744-WGF	5147-260	C-214-44

### Rod seal code – J (Ultra-seal with scraper rod seal kits)

Rod dia	Ultra seal with scraper rod seal kits	Wiper seal	Scraper	Rod seal	Bearing O-ring	Bearing backup
0.63	SKN5-681-E-05	C-6905-CN	C-419-1	C-514-05	5145-123	C-359-123
1.00	SKN5-681-E-08	C-6908-CN	C-419-2	C-514-08	5145-129	C-359-129
1.38	SKN5-681-E-11	C-6911-CN	C-419-3	C-514-11	5145-137	C-359-137
1.75	SKN5-681-E-14	C-6914-CN	C-419-4	C-514-14	5145-144	C-359-144
2.00	SKN5-681-E-16	C-6916-CN	C-419-5	C-514-16	5145-148	C-359-148
2.50	SKN5-681-E-20	C-6920-CN	C-419-6	C-514-20	5145-152	C-359-152
3.00	SKN5-681-E-24	C-6924-CN	C-419-7	C-514-24	5145-241	C-214-24
3.50	SKN5-681-E-28	C-6928-CN	C-419-8	C-514-28	5145-245	C-214-28
4.00	SKN5-681-E-32	C-6932-CN	C-419-9	C-514-32	5145-249	C-214-32
4.50	SKN5-681-E-36	C-6936-CN	504293	C-514-36	5145-254	C-214-36
5.00	SKN5-681-E-40	C-6940-CN	504295	C-514-40	5145-258	C-214-40
5.50	SKN5-681-E-44	C-6944-CN	504297	C-514-44	5145-260	C-214-44

## Rod seal components:

### Rod seal code – S (Nitrile lip type with scraper)

Rod dia	Nitrile lip type with scraper rod seal kits	Wiper seal	Scraper	Rod seal	Rod seal backup	Bearing O-ring	Bearing backup
0.63	SKN5-660-E-05	C-6905-CN	C-419-1	C-6705A-CN	C-6705-WCN	5145-123	C-359-123
1.00	SKN5-660-E-08	C-6908-CN	C-419-2	C-6708A-CN	C-6708A-WCN	5145-129	C-359-129
1.38	SKN5-660-E-11	C-6911-CN	C-419-3	C-6711-CN	C-6711-WCN	5145-137	C-359-137
1.75	SKN5-660-E-14	C-6914-CN	C-419-4	C-6714-CN	C-6714-WCN	5145-144	C-359-144
2.00	SKN5-660-E-16	C-6916-CN	C-419-5	C-6716-CN	C-6716-WCN	5145-148	C-359-148
2.50	SKN5-660-E-20	C-6920-CN	C-419-6	C-6720-CN	C-6720-WCN	5145-152	C-359-152
3.00	SKN5-660-E-24	C-6924-CN	C-419-7	C-6724-CN	C-6724-WCN	5145-241	C-214-24
3.50	SKN5-660-E-28	C-6928-CN	C-419-8	C-6728-CN	C-6728-WCN	5145-245	C-214-28
4.00	SKN5-660-E-32	C-6932-CN	C-419-9	C-6732-CN	C-6732-WCN	5145-249	C-214-32
4.50	SKN5-660-E-36	C-6936-CN	504293	C-6736-CN	C-6736-WCN	5145-254	C-214-36
5.00	SKN5-660-E-40	C-6940-CN	504295	C-6740-CN	C-6740-WCN	5145-258	C-214-40
5.50	SKN5-660-E-44	C-6944-CN	504297	C-6744-CN	C-6744-WCN	5145-260	C-214-44

### Rod seal code – G (Viton PolyPak with scraper)

Rod dia	Viton PolyPak with scraper rod seal kits	Wiper seal	Scraper	Rod seal	Rod seal backup	Bearing O-ring	Bearing backup	Snap ring
0.63	SKN5-660-P-E-05V	C-6905-V	C-419-1V	C-327-05V	C-6705-WGF	5147-123	C-359-123	-
1.00	SKN5-660-P-E-08V	C-6908-V	C-419-2V	C-327-08V	C-6708A-WGF	5147-129	C-359-129	-
1.38	SKN5-660-P-E-11V	C-6911-V	C-419-3V	C-327-11V	C-6711-WGF	5147-137	C-359-137	-
1.75	SKN5-660-P-E-14V	C-6914-V	C-419-4V	C-327-14V	C-6714-WGF	5147-144	C-359-144	-
2.00	SKN5-660-P-E-16V	C-6916-V	C-419-5V	C-327-16V	C-6716-WGF	5147-148	C-359-148	-
2.50	SKN5-660-P-E-20V	C-6920-V	C-419-6V	C-327-20V	C-6720-WGF	5147-152	C-359-152	-
3.00	SKN5-660-P-E-24V	C-6924-V	C-419-7V	C-327-24V	C-6724-WGF	5147-241	C-214-24	-
3.50	SKN5-660-P-E-28V	C-6928-V	C-419-8V	C-327-28V	C-6728-WGF	5147-245	C-214-28	-
4.00	SKN5-660-P-E-32V	C-6932-V	C-419-9V	C-327-32V	C-6732-WGF	5147-249	C-214-32	-
4.50	SKN5-660-P-E-36V	C-6936-V	641000	C-327-36V	C-6736-WGF	5147-254	C-214-36	RR-500
5.00	SKN5-660-P-E-40V	C-6940-V	645000	C-327-40V	C-6740-WGF	5147-258	C-214-40	RR-550
5.50	SKN5-660-P-E-44V	C-6944-V	649000	C-327-44V	C-6744-WGF	5147-260	C-214-44	RR-600

### Rod seal code – U (Viton lip type with scraper)

Rod dia	Viton lip type with scraper rod seal kits	Wiper seal	Scraper	Rod seal	Rod seal backup	Bearing O-ring	Bearing backup	Snap ring
0.63	SKN5-660-E-05V	C-6905-V	C-419-1V	C-6705A-V	C-6705-WGF	5147-123	C-359-123	-
1.00	SKN5-660-E-08V	C-6908-V	C-419-2V	C-6708A-V	C-6708A-WGF	5147-129	C-359-129	-
1.38	SKN5-660-E-11V	C-6911-V	C-419-3V	C-6711-V	C-6711-WGF	5147-137	C-359-137	-
1.75	SKN5-660-E-14V	C-6914-V	C-419-4V	C-6714-V	C-6714-WGF	5147-144	C-359-144	-
2.00	SKN5-660-E-16V	C-6916-V	C-419-5V	C-6716-V	C-6716-WGF	5147-148	C-359-148	-
2.50	SKN5-660-E-20V	C-6920-V	C-419-6V	C-6720-V	C-6720-WGF	5147-152	C-359-152	-
3.00	SKN5-660-E-24V	C-6924-V	C-419-7V	C-6724-V	C-6724-WGF	5147-241	C-214-24	-
3.50	SKN5-660-E-28V	C-6928-V	C-419-8V	C-6728-V	C-6728-WGF	5147-245	C-214-28	-
4.00	SKN5-660-E-32V	C-6932-V	C-419-9V	C-6732-V	C-6732-WGF	5147-249	C-214-32	-
4.50	SKN5-660-E-36V	C-6936-V	641000	C-6736-V	C-6736-WGF	5147-254	C-214-36	RR-500
5.00	SKN5-660-E-40V	C-6940-V	645000	C-6740-V	C-6740-WGF	5147-258	C-214-40	RR-550
5.50	SKN5-660-E-44V	C-6944-V	649000	C-6744-V	C-6744-WGF	5147-260	C-214-44	RR-600

## Piston seal components:

### Piston seal code – N (Carboxylated lip type piston seal kit)

Bore dia	Carboxylated lip type piston seal kit	Piston seal	Piston seal backup	Body seal
1.50	SKN5-512-03	C-5503A-CN	C-5503-WCN-A	C-255-03
2.00	SKN5-512-04	C-5504-CN	C-5504-WCN-A	C-255-04
2.50	SKN5-512-05	C-5505-CN	C-5505-WCN-A	C-255-05
3.25	SKN5-512-065	C-55065-CN	C-55065-WCN-A	C-255-065
4.00	SKN5-512-08	C-5508-CN	C-5508-WCN-A	C-255-08
5.00	SKN5-512-10	C-5510-CN	C-5510-WCN-A	C-255-10
6.00	SKN5-512-12	C-5512-CN	C-5512-WCN-A	C-255-12
7.00	SKN5-512-14	C-5514-CN	C-5514-WCN-A	C-255-14
8.00	SKN5-512-16	C-5516-CN	C-5516-WCN-A	C-255-16

### Piston seal code – D (Low friction PolyPak piston seal kit)

Bore dia	Low friction PolyPak piston seal kit	Piston seal	Piston seal backup	Body seal
1.50	SKN5-517-03	C-233-03	C-5503-WCN-A	C-255-03
2.00	SKN5-517-04	C-233-04	C-5504-WCN-A	C-255-04
2.50	SKN5-517-05	C-233-05	C-5505-WCN-A	C-255-05
3.25	SKN5-517-065	C-233-065	C-55065-WCN-A	C-255-065
4.00	SKN5-517-08	C-233-08	C-5508-WCN-A	C-255-08
5.00	SKN5-517-10	C-233-10	C-5510-WCN-A	C-255-10
6.00	SKN5-517-12	C-233-12	C-5512-WCN-A	C-255-12
7.00	SKN5-517-14	C-233-14	C-5514-WCN-A	C-255-14
8.00	SKN5-517-16	C-233-16	C-5516-WCN-A	C-255-16

### Piston seal code – P (PolyPak piston seal kit)

Bore dia	PolyPak piston seal kit	Piston seal	Piston seal backup	Body seal
1.50	SKN5-516-03	C-328-03	C-5503-WCN-A	C-255-03
2.00	SKN5-516-04	C-328-04	C-5504-WCN-A	C-255-04
2.50	SKN5-516-05	C-328-05	C-5505-WCN-A	C-255-05
3.25	SKN5-516-065	C-328-065	C-55065-WCN-A	C-255-065
4.00	SKN5-516-08	C-328-08	C-5508-WCN-A	C-255-08
5.00	SKN5-516-10	C-328-10	C-5510-WCN-A	C-255-10
6.00	SKN5-516-12	C-328-12	C-5512-WCN-A	C-255-12
7.00	SKN5-516-14	C-328-14	C-5514-WCN-A	C-255-14
8.00	SKN5-516-16	C-328-16	C-5516-WCN-A	C-255-16

## Piston seal components:

### Piston seal code – R (Cast iron piston rings kit)

Bore dia	After Mar 1,06		
	Cast iron piston rings kit	Piston rings	Body seal
1.50	SKN5-511-03A	5170-1.500	C-255-03
2.00	SKN5-511-04A	5170-2.000	C-255-04
2.50	SKN5-511-05A	5170-2.500	C-255-05
3.25	SKN5-511-065A	5170-3.250	C-255-065
4.00	SKN5-511-08A	5170-4.000	C-255-08
5.00	SKN5-511-10A	5170-5.000	C-255-10
6.00	SKN5-511-12A	5170-6.000	C-255-12
7.00	SKN5-511-14A	5170-7.000	C-255-14
8.00	SKN5-511-16A	5170-8.000	C-255-16

Bore dia	Before Mar 1,06		
	Cast iron piston rings kit	Piston rings	Body seal
1.50	SKN5-511-03	C-5603	C-255-03
2.00	SKN5-511-04	C-5604	C-255-04
2.50	SKN5-511-05	C-5605	C-255-05
3.25	SKN5-511-065	C-56065	C-255-065
4.00	SKN5-511-08	C-5608	C-255-08
5.00	SKN5-511-10	C-5610	C-255-10
6.00	SKN5-511-12	C-5612	C-255-12
7.00	SKN5-511-14	C-5614	C-255-14
8.00	SKN5-511-16	C-5616	C-255-16

### Piston seal code – V (Viton lip type piston seal kit)

Bore dia	Viton lip type piston seal kit	Piston seal	Piston seal backup	Body seal
1.50	SKN5-512-03V	C-5503A-V	C-5503-WTF-A	C-255-03
2.00	SKN5-512-04V	C-5504-V	C-5504-WTF-A	C-255-04
2.50	SKN5-512-05V	C-5505-V	C-5505-WTF-A	C-255-05
3.25	SKN5-512-065V	C-55065-V	C-55065-WTF-A	C-255-065
4.00	SKN5-512-08V	C-5508-V	C-5508-WTF-A	C-255-08
5.00	SKN5-512-10V	C-5510-V	C-5510-WTF-A	C-255-10
6.00	SKN5-512-12V	C-5512-V	C-5512-WTF-A	C-255-12
7.00	SKN5-512-14V	C-5514-V	C-5514-WTF-A	C-255-14
8.00	SKN5-512-16V	C-5516-V	C-5516-WTF-A	C-255-16

### Piston seal code – B (Low breakaway teflon radial seal with wearband seal kit)

Bore dia	Low breakaway teflon radial seal with wearband seal kit	Piston seal	Piston seal energizer	Wearband (number in bracket indicates length in inches)	Body seal
1.50	SKN5-5180-03	CP-316-03	5145-123	C-315-02-08 (4.25)	C-255-03
2.00	SKN5-5180-04	CP-316-04	5145-131	C-315-02-08 (5.75)	C-255-04
2.50	SKN5-5180-05	CP-316-05	5145-139	C-315-02-08 (7.31)	C-255-05
3.25	SKN5-5180-065	CP-316-065	5145-233	C-315-02-08 (9.63)	C-255-065
4.00	SKN5-5180-08	CP-316-08	5145-239	C-315-02-08 (12)	C-255-08
5.00	SKN5-5180-10	CP-316-10	5145-247	C-315-02-12 (15.06)	C-255-10
6.00	SKN5-5180-12	CP-316-12	5145-254	C-315-02-12 (18.21)	C-255-12
7.00	SKN5-5180-14	CP-316-14	5145-260	C-315-02-12 (21.31)	C-255-14
8.00	SKN5-5180-16	CP-316-16	5145-264	C-315-02-12 (24.41)	C-255-16





**Eaton**  
1000 Eaton Boulevard  
Cleveland, OH 44122  
United States  
Eaton.com

© 2017 Eaton  
All Rights Reserved  
Printed in USA  
Document No. E-CYNZ-BB007-E1  
March 2017

Eaton is a registered trademark.  
All other trademarks are property  
of their respective owners.

# **FLUID POWER SOLUTIONS**<sup>®</sup>

**Find a location near you!**



## **Mi Fluid Power Solutions**

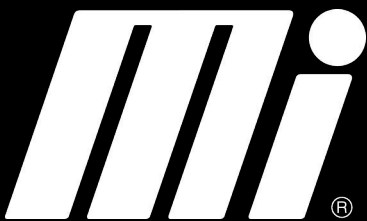
Looking for specialized solutions for fluid power operations? Talk to the experts at Mi Fluid Power Solutions for expertise related to hydraulics, pneumatics, power units, and fluid power repair.

To view locations, scan QR Code or go to: [qrco.de/bd4Ofp](https://qrco.de/bd4Ofp)

1-866-430-0013



© 2023 Motion



**MORE CHOICES. MORE INVENTORY. MORE EXPERTISE.**